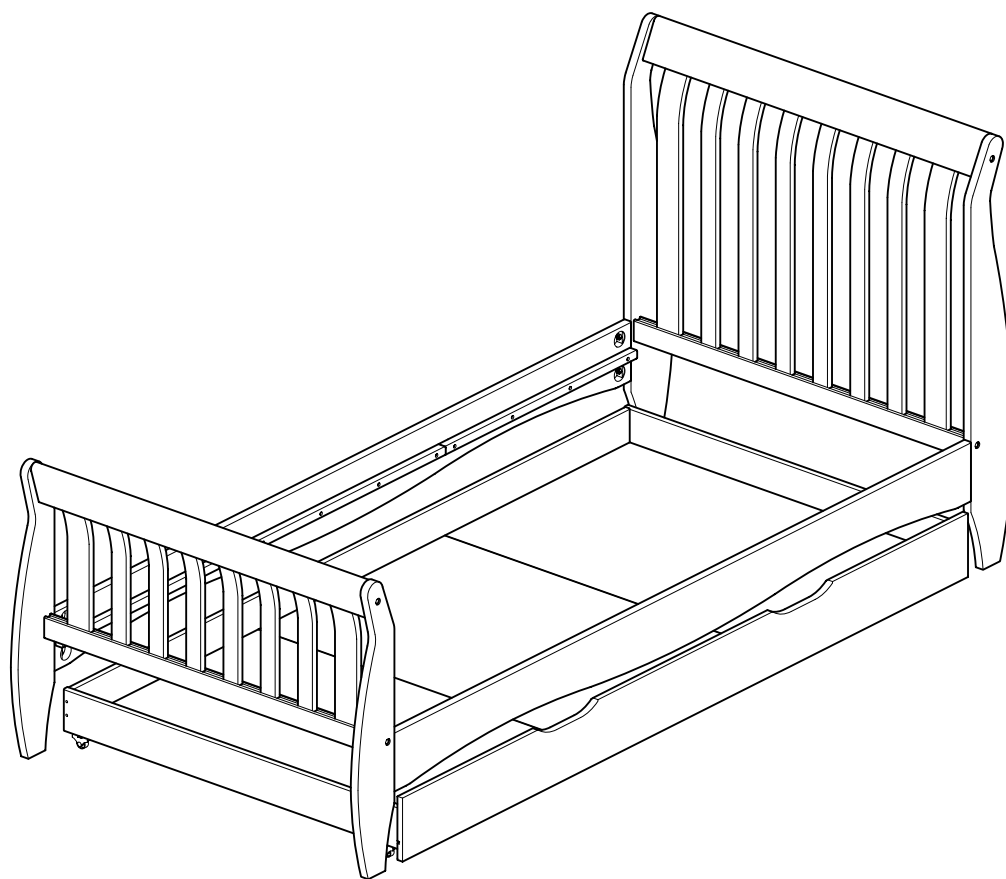


# Daisy Sleigh Storage White Frame

Assembly Instructions - Please keep for future reference

258/5712



## Dimensions

Width - 96cm  
Depth - 216cm  
Height - 99.5cm

**Important** - Please read these instructions fully before starting assembly

If you need help or have damaged or missing parts, call the **Customer Helpline:**  
**Argos = 0345 640 0800**



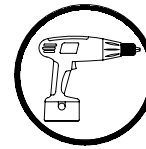
# Safety and Care Advice

**Important - Please read these instructions fully before starting assembly**

## IMPORTANT! KEEP FOR FUTURE REFERENCE

- Check you have all the components and tools listed on the following pages.
- Remove all fittings from the plastic bags and separate them into their groups.

- Keep children and animals away from the work area, small parts could choke if swallowed.
- Make sure you have enough space to layout the parts before starting.
- During assembly do not stand or put weight on the product, this could cause damage.
- Assemble the item as close to its final position (in the same room) as possible.



- To reduce the likelihood of damaging your product please ensure that your power drill is set on a low torque setting.
- Assemble on a soft level surface to avoid damaging the unit or your floor.
- Parts of the assembly will be easier with 2 people.
- Improper use of electrical tools will crack the components.

## Care and maintenance

- Only clean using a damp cloth and mild detergent, do not use bleach or abrasive cleaners.
- From time to time check that there are no loose screws on this unit.
- This product should not be discarded with household waste. Take to your local authority waste disposal centre.

## Warnings

- Regularly check and ensure that all bolts and fittings are tightened properly.
- The recommended mattress size is L1900 x W900 mm.
- This product should only be used on firm, level ground.
- Make sure the legs remain in contact with the ground.
- This product is intended for children in the age of 4 to 13 years old.
- Not suitable for children under 4 years.
- Prohibit your children from bouncing and jumping on the bed.
- Do not place this child's bed near heat sources, windows (blind cords, curtain pulls or other strings or cords) and other furniture.
- Place the bed tight to any wall or have a gap of 300mm between the wall and the side of the bed.
- Do not use this child's bed if any part is broken, torn or missing.
- **THIS BED COMPLIES WITH BS8509:2008+A1:2011**
- Retailer: Argos Ltd. MK9 2NW

## Handy Hints

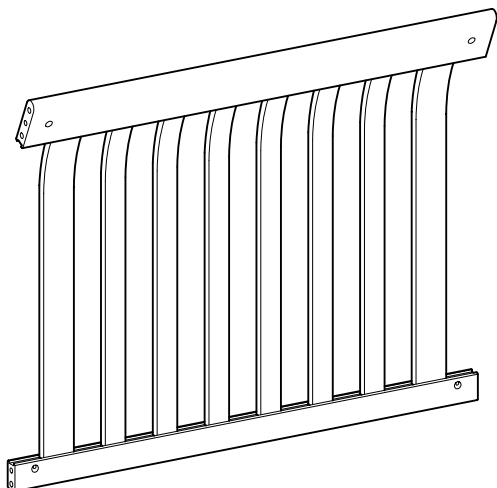
- Assemble all parts and bolts loosely during assembly, only once the product is complete should you fully tighten the bolts.
- Regularly check and ensure that all bolts and fittings are tightened properly.

**Note:** if required the next page can be cut out and used as reference throughout the assembly. Keep this page with these instructions for future reference.

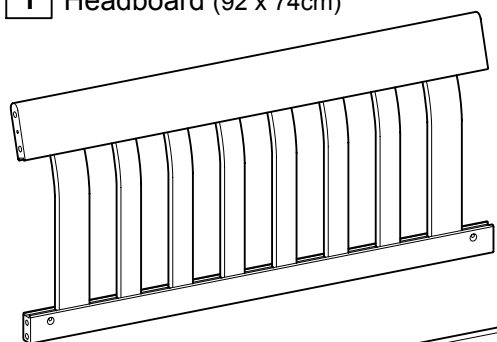
# Components - Panels

If you have damaged or missing components, call the  
Customer Helpline: Argos = 0345 640 0800

Please check you have all the panels listed below



**1** Headboard (92 x 74cm)



**2** Footboard (92 x 43cm)



**3** Left headboard leg  
(99.5 x 14cm)



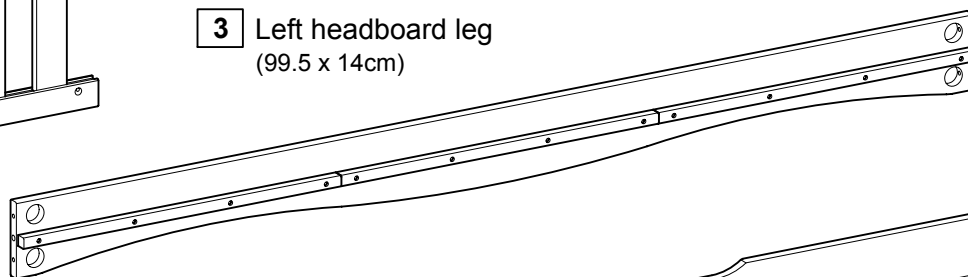
**4** Right headboard leg  
(99.5 x 14cm)



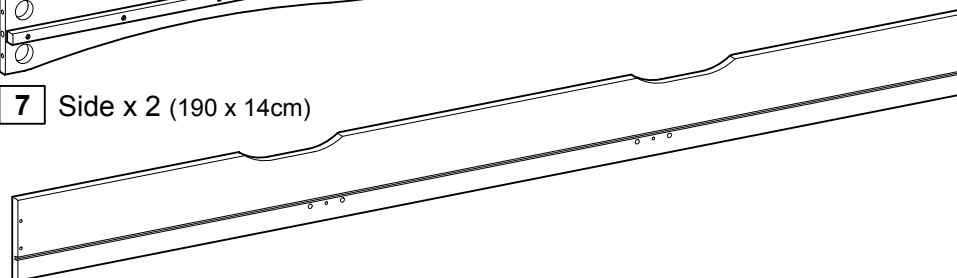
**5** Left footboard leg  
(68.5 x 12cm)



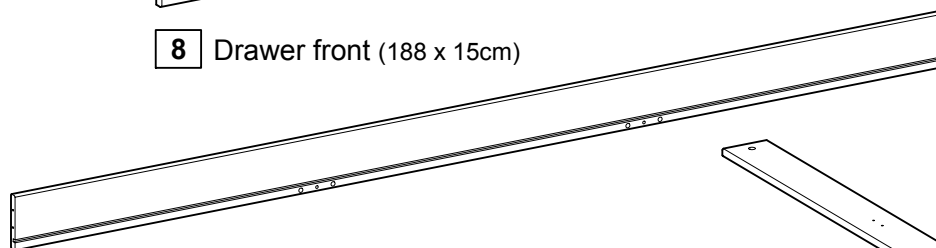
**6** Right footboard leg  
(68.5 x 12cm)



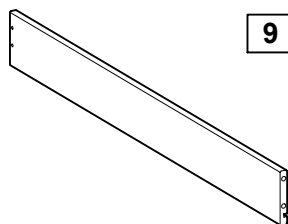
**7** Side x 2 (190 x 14cm)



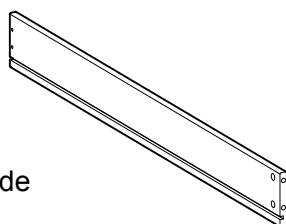
**8** Drawer front (188 x 15cm)



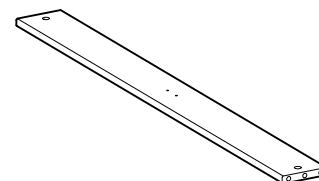
**9** Drawer back (185 x 10cm)



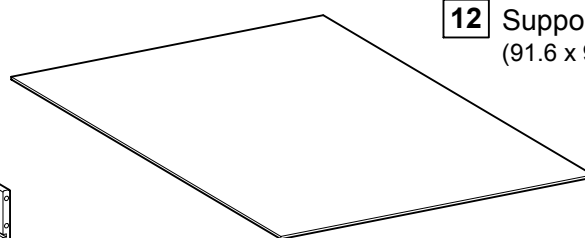
**10** Left drawer side  
(93 x 10cm)



**11** Right drawer side  
(93 x 10cm)



**12** Support bar x 2  
(91.6 x 9cm)



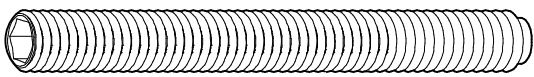
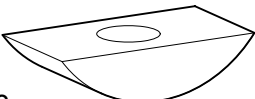
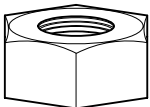
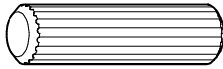

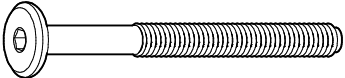
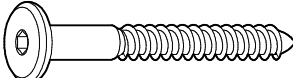

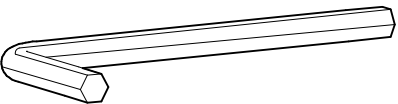

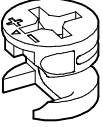
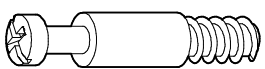
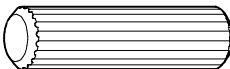


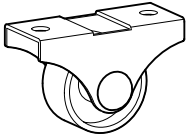
**13** Drawer bottom x 3  
(62 x 92.6cm)



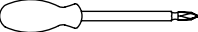
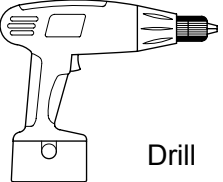
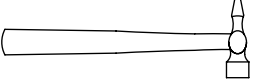
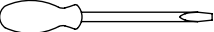
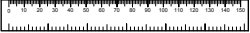
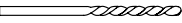
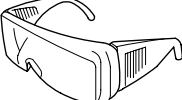
# Components - Fittings

Please check you have all the fittings listed below

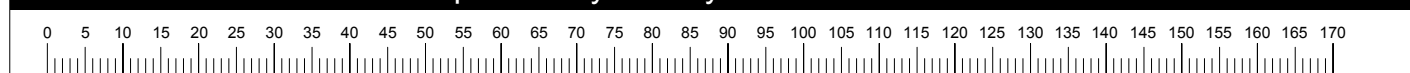
**Note:** The quantities below are correct amount to complete the assembly. In some cases more fittings may be supplied than are required.

<p><b>A</b></p>  <p>70mm Screw x 8</p>			<p><b>B</b></p>  <p>Washer x 8</p>
<p><b>C</b></p>  <p>Nut x 8</p>	<p><b>D</b></p>  <p>40mm Dowel x 16</p>	<p><b>E</b></p>  <p>30mm Screw x 8</p>	
<p><b>F</b></p>  <p>75mm Screw x 6</p>	<p><b>G</b></p>  <p>60mm Screw x 2</p>	<p><b>H</b></p>  <p>Barrel nut x 6</p>	
<p><b>I</b></p>  <p>Allen key x 1</p>		<p><b>J</b></p>  <p>Spanner x 1</p>	
<p><b>K</b></p>  <p>Cam x 8</p>	<p><b>L</b></p>  <p>Locking pin x 8</p>	<p><b>M</b></p>  <p>30mm Dowel x 8</p>	
<p><b>N</b></p>  <p>35mm Screw x 4</p>	<p><b>O</b></p>  <p>14mm Screw x 12</p>	<p><b>P</b></p>  <p>Caster x 6</p>	

## Tools required

 <p>Philips screwdriver (medium &amp; large)</p>	 <p>Drill</p>	 <p>Small hammer</p>
 <p>Flatblade screwdriver (medium)</p>		 <p>Ruler/tape measure</p>
 <p>Suitable drill bit (for use with wall plug)</p>		 <p>Eye protection (when using a hammer or glue)</p>

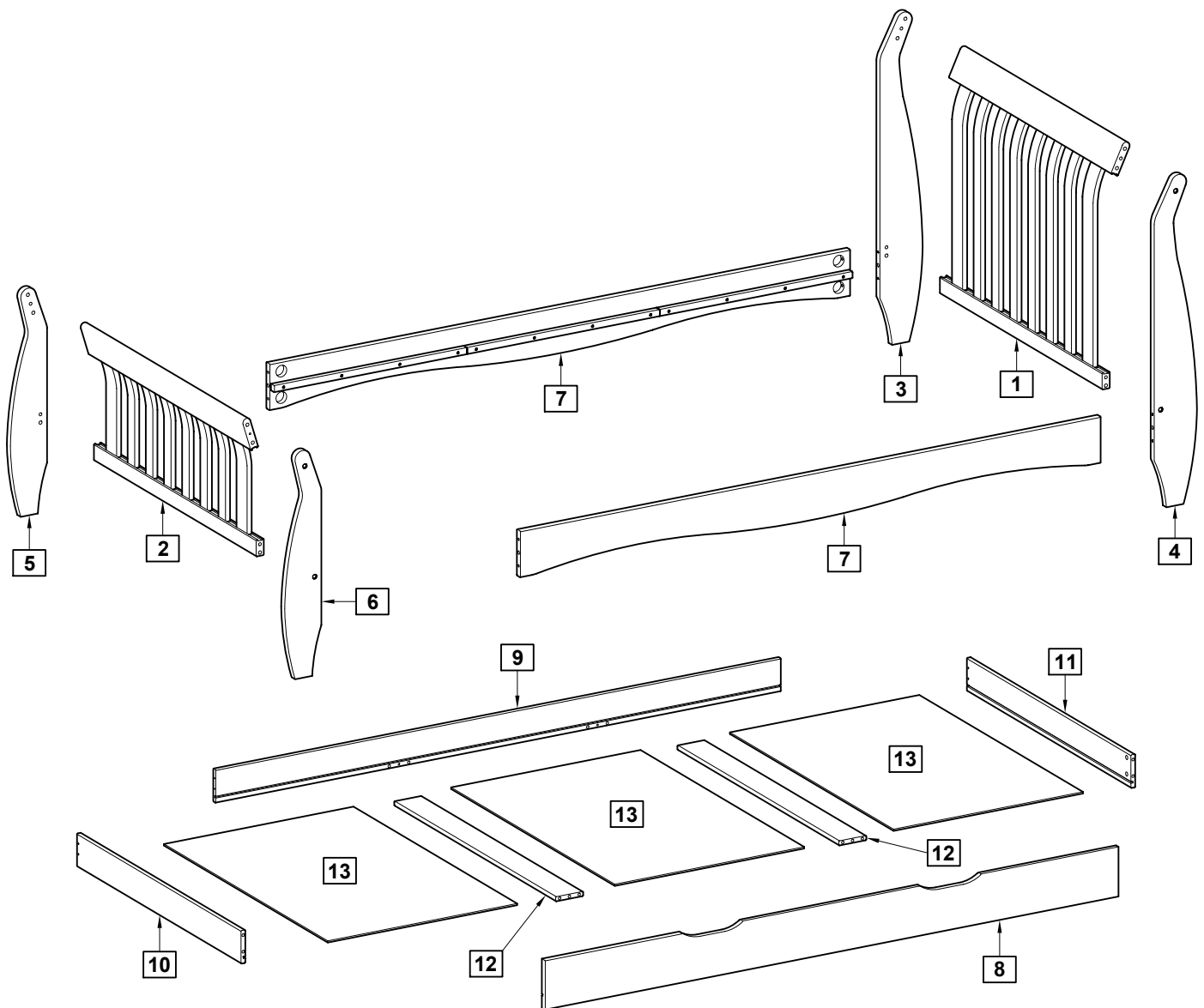
## Ruler - Use this ruler to help correctly identify the screws



The screws length is measured from the head to the point (30mm screw shown).

The bolts length is measured from inside of the head to the point (60mm bolt shown).

# Components - Key Diagram



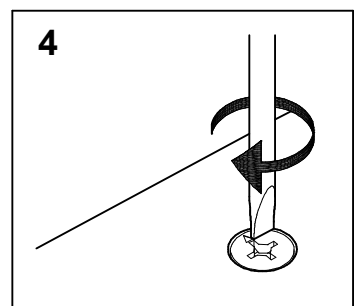
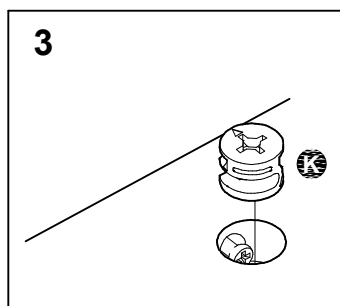
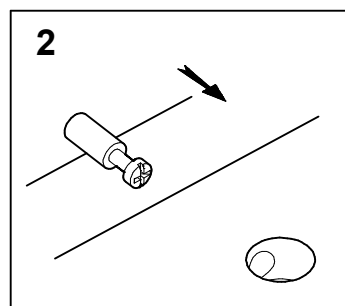
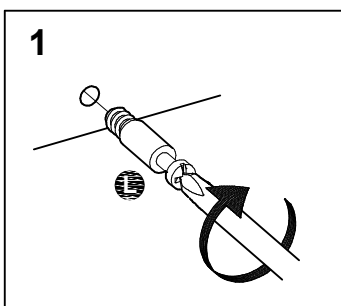
## Function of Cam and Locking Pin

**Step 1:**  
Fix the locking pin to the wooden panel.

**Step 2:**  
Push the wooden panel with the attached locking pin onto the other wooden panel.

**Step 3:**  
Place the cam into the hole, arrow pointing towards the locking pin.

**Step 4:**  
Tighten: Turn the cam to the right.

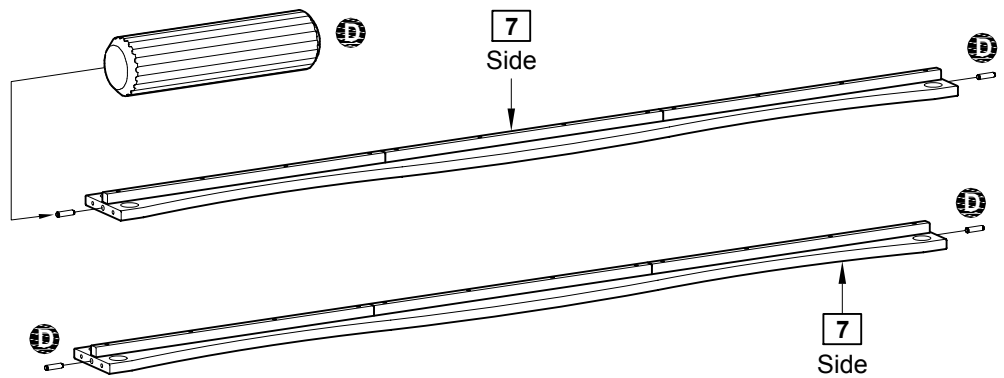


# Assembly Instructions

## Step 1

### Inserting the dowels to the sides.

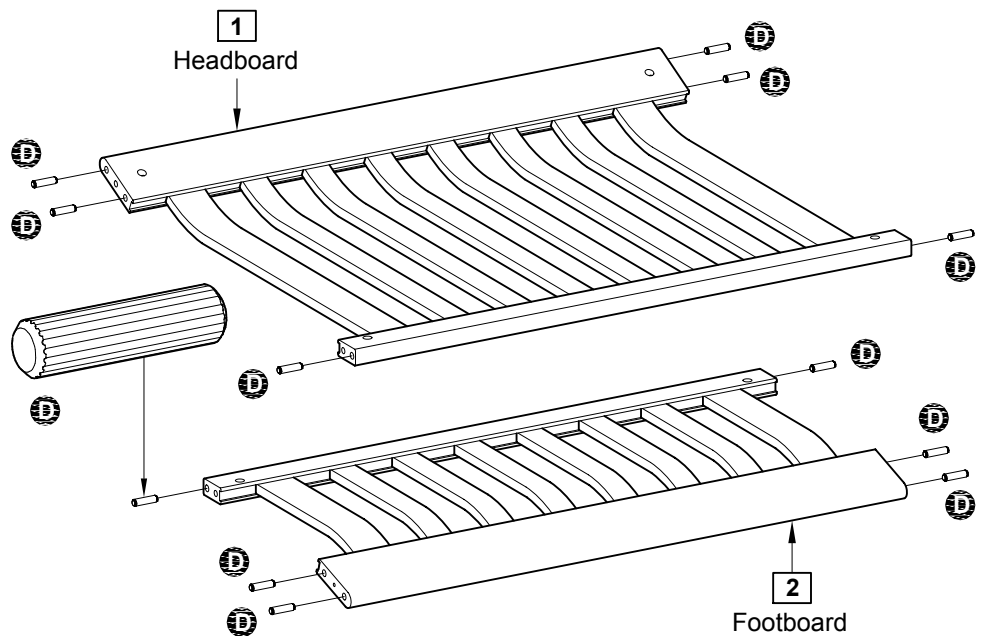
Insert the dowels **D** into the holes indicated on the sides **7**.



## Step 2

### Inserting the dowels to the headboard and the footboard.

Insert the dowels **D** into the holes indicated on the headboard **1** and the footboard **2**.

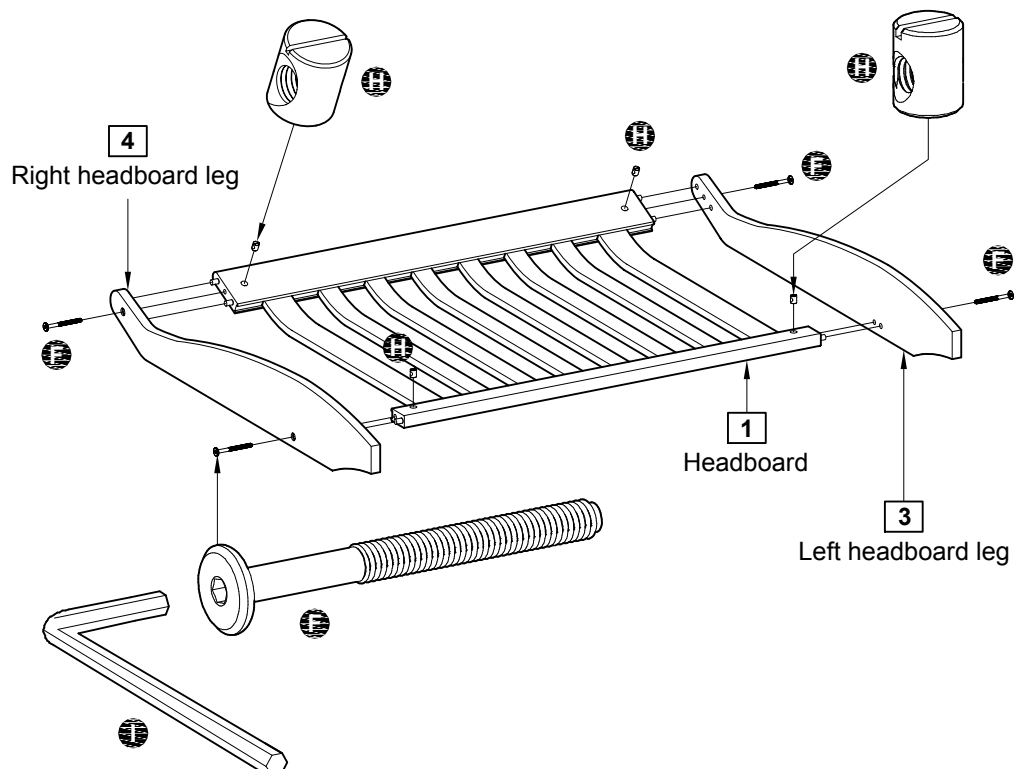


## Step 3

### Mounting the headboard legs to the headboard.

Place the barrel nuts **H** onto the holes indicated on the headboard **1** and using screws **F** to fix the right headboard leg **4** and the left headboard leg **3** onto the headboard **1**, using allen key **I** to tighten it.

Note the holes of barrel nuts pointing towards to the screws.



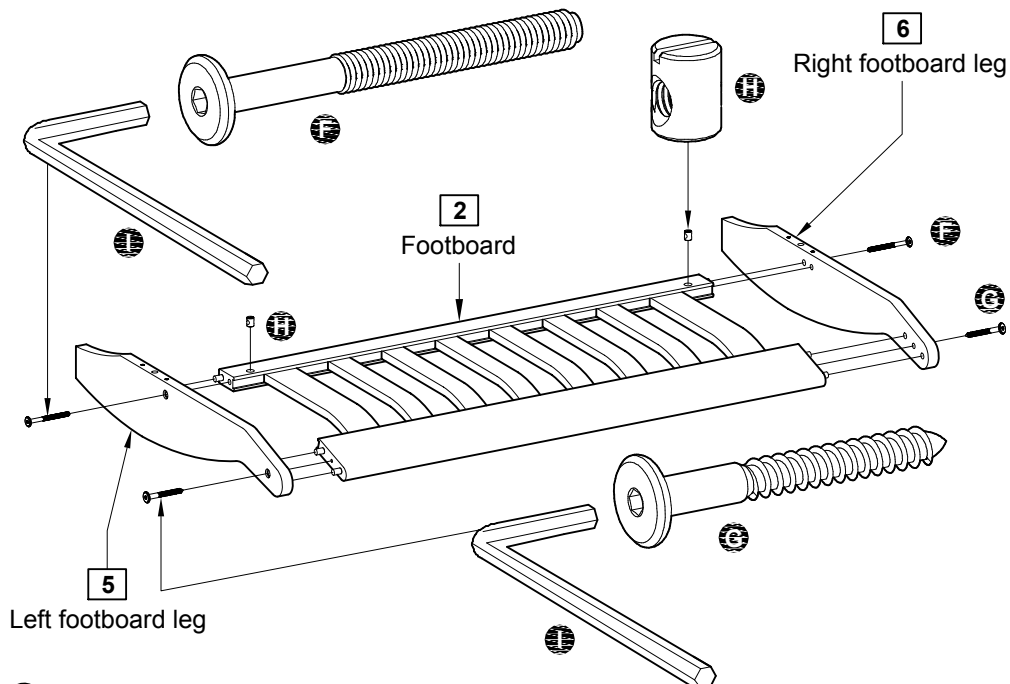
# Assembly Instructions

## Step 4

### Mounting the footboard legs to the footboard.

Place the barrel nuts **H** onto the holes indicated on the footboard **2** and using screws **F** and screws **G** to fix the left footboard leg **5** and the right footboard leg **6** onto the footboard **2**, using allen key **I** to tighten it.

Note the holes of barrel nuts pointing towards to the screws.

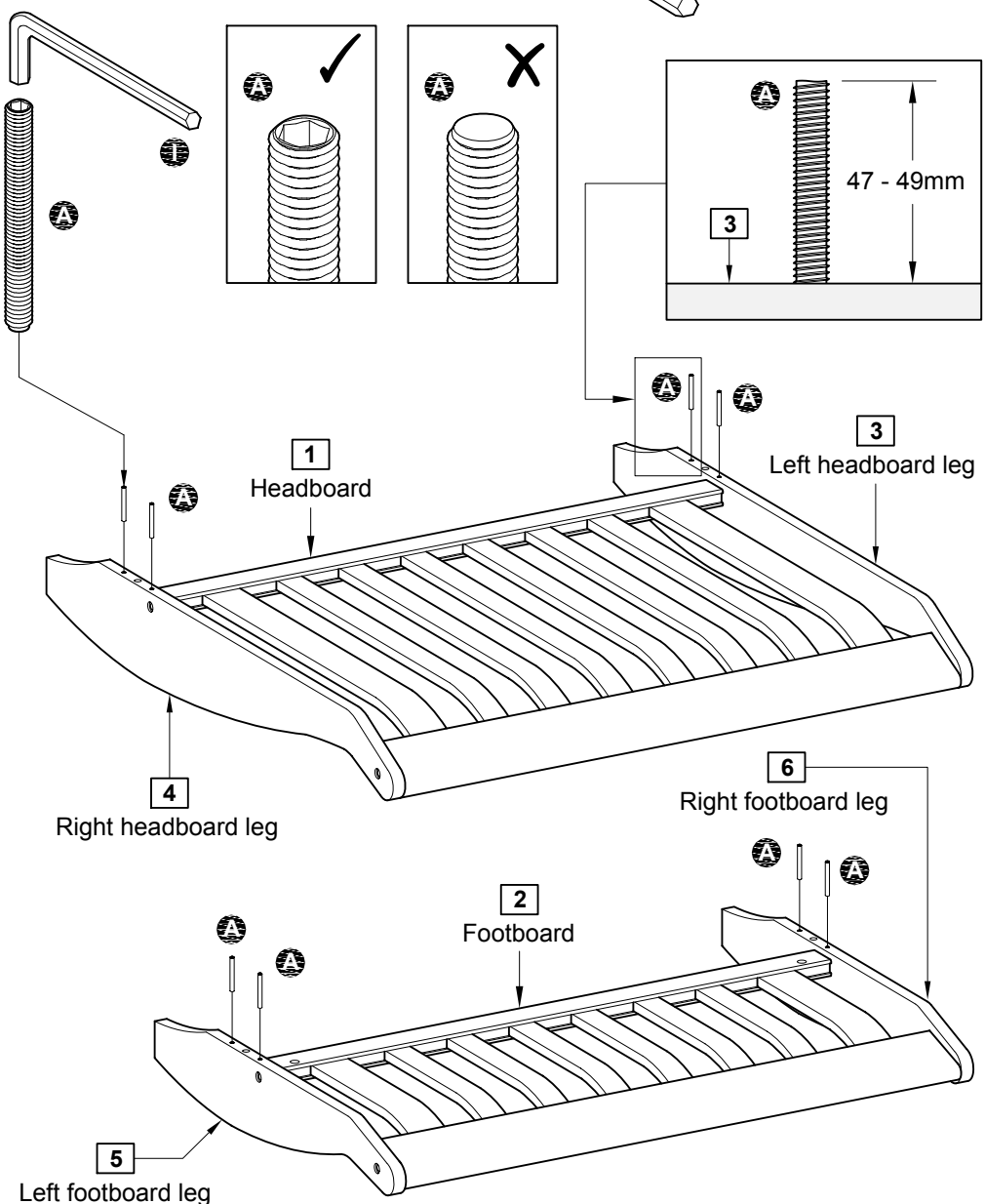


## Step 5

### Mounting the screws to the headboard legs and the footboard legs.

Mounting the screws **A** into the holes indicated on the headboard legs **3** and **4** and the footboard legs **5** and **6**, using the allen key **I**.

**Note:** Please make sure the length of screw **A** after tightening to the leg should remain 47 - 49 mm and the screw head is up as shown diagram.



# Assembly Instructions

## Step 6

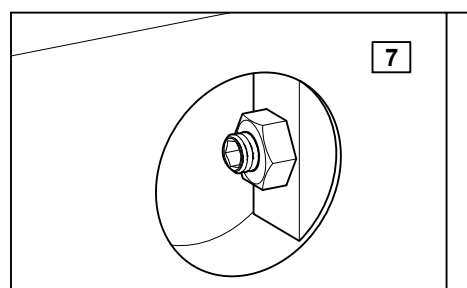
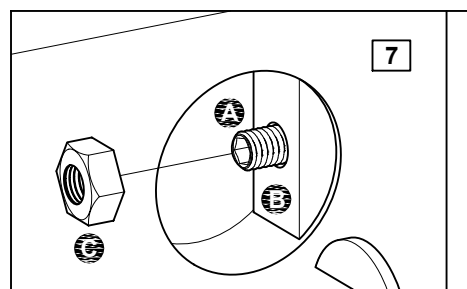
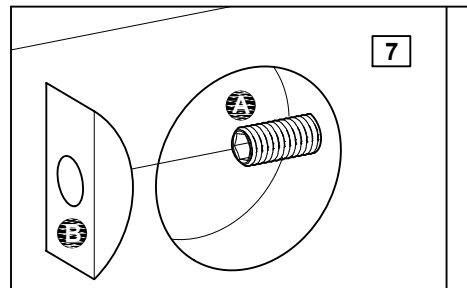
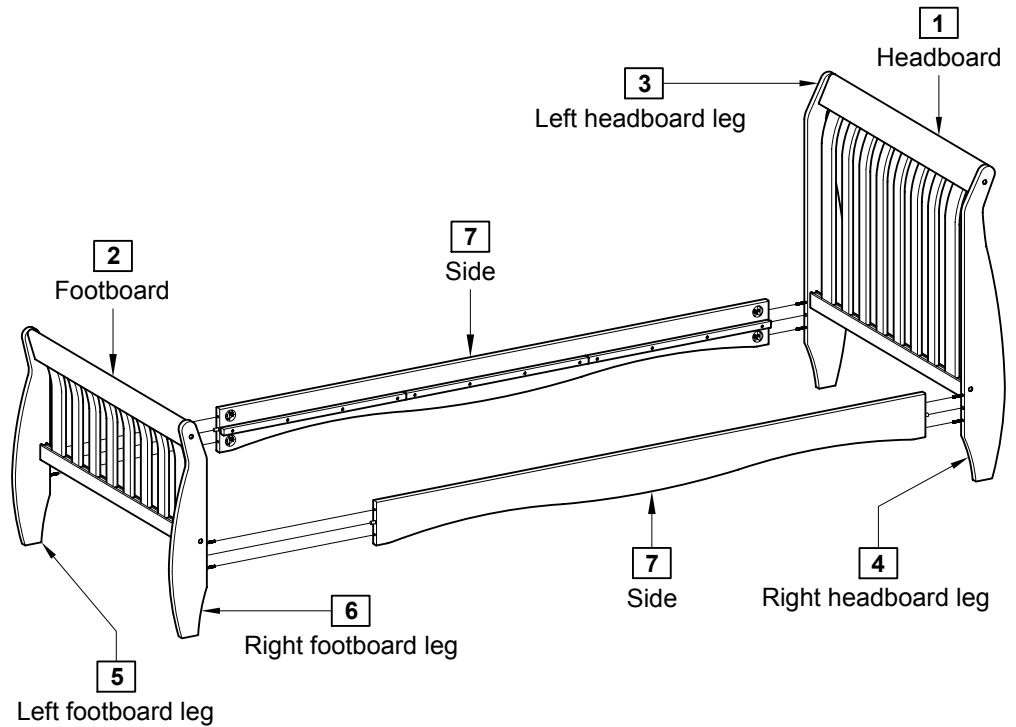
**Assembly the headboard legs and the footboard legs to the sides.**

Fit the headboard legs **3**, **4** and the footboard legs **5**, **6** into the holes indicated on the sides **7**.

Place the washers **B** onto the holes indicated on the sides **7**.

Using nuts **C** and spanner **J** to fix the headboard and footboard to the sides **7**.

Again please note the holes of nuts pointing towards to the screws.





# Assembly Instructions

## Step 7

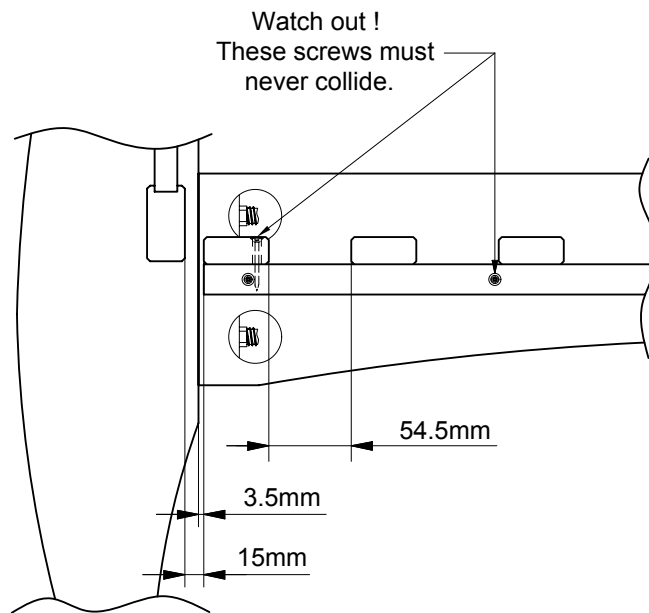
**Additional step to fix the slats.**

**Note:** The slats are supplied separately.

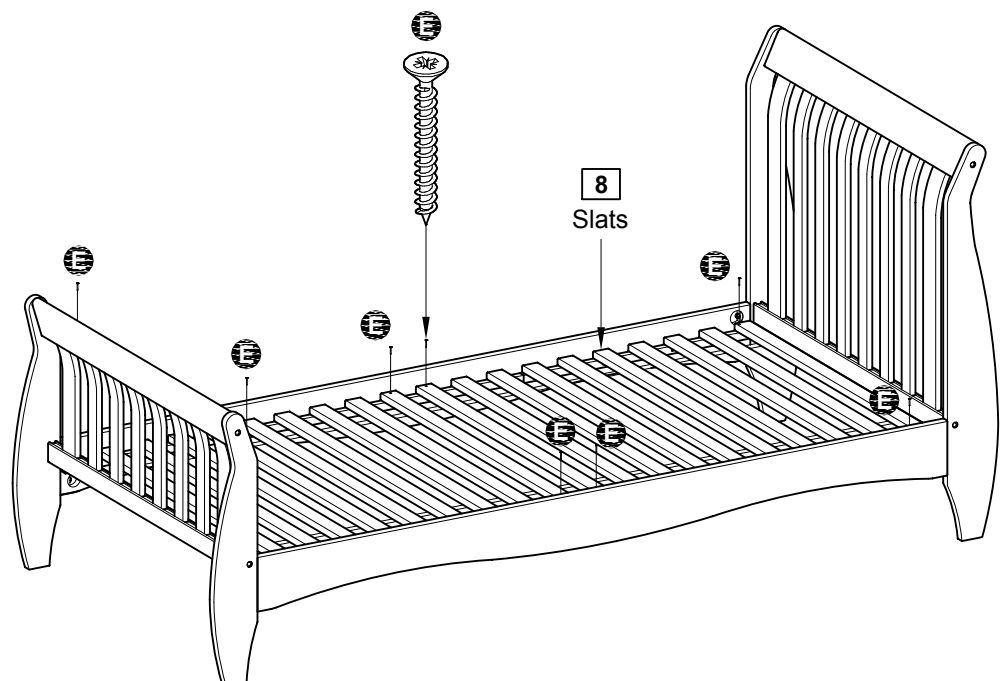
Spreading the slats evenly onto the bed frame.

Fix the slats to the slatholders using screws **E**.

Watch out! The screws attach the slatholders to the sides never collide to the screws that fix the slats to the slatholders.



Distances are approximate.



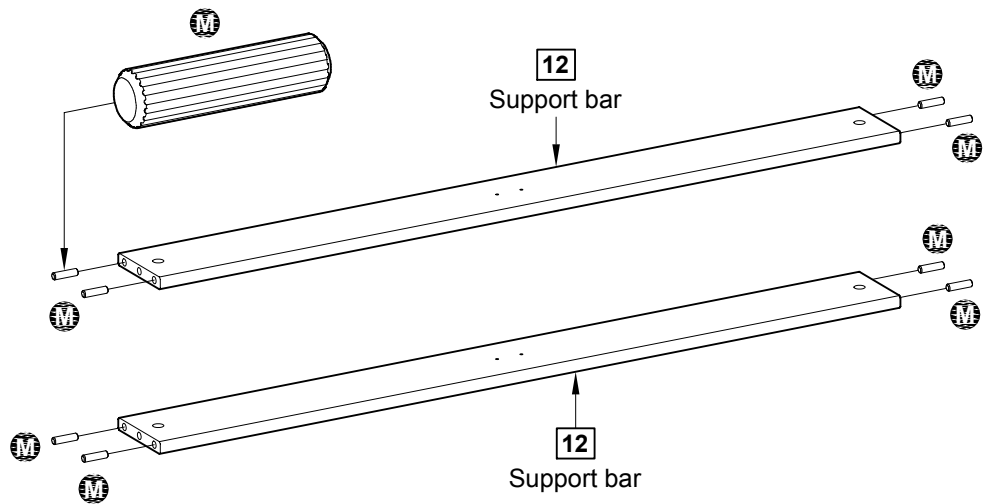
# Assembly Instructions

## Step 8

### Drawer assembly.

#### Adding the dowels to the support bars.

Insert the dowels **M** into the holes indicated on the support bars **12**.

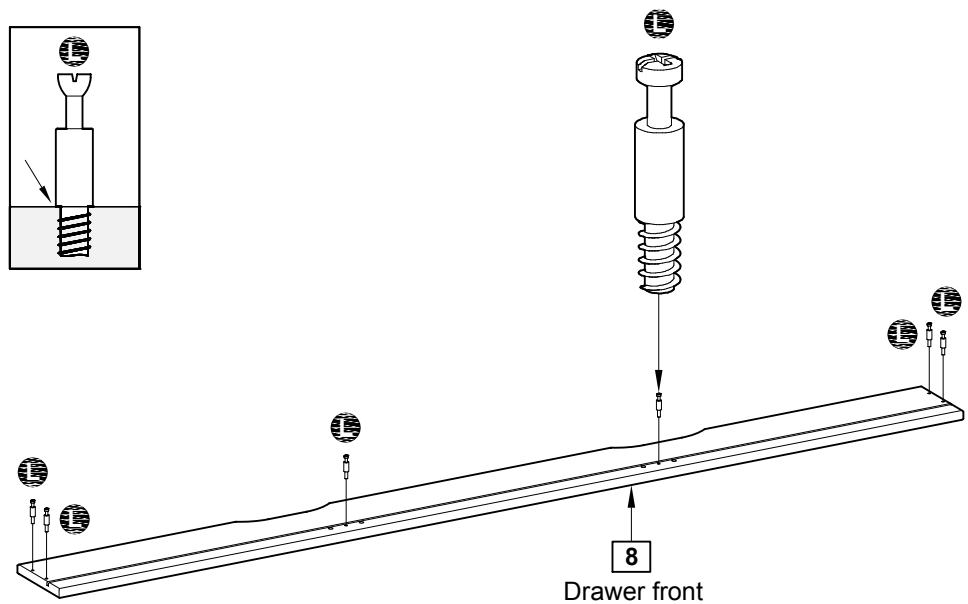


## Step 9

### Mounting the locking pins to the drawer front.

Screw the locking pins **L** into the holes indicated on the drawer front **8**.

**Note:** Insert locking pins **L** as far as shown. **Do not over tighten.**

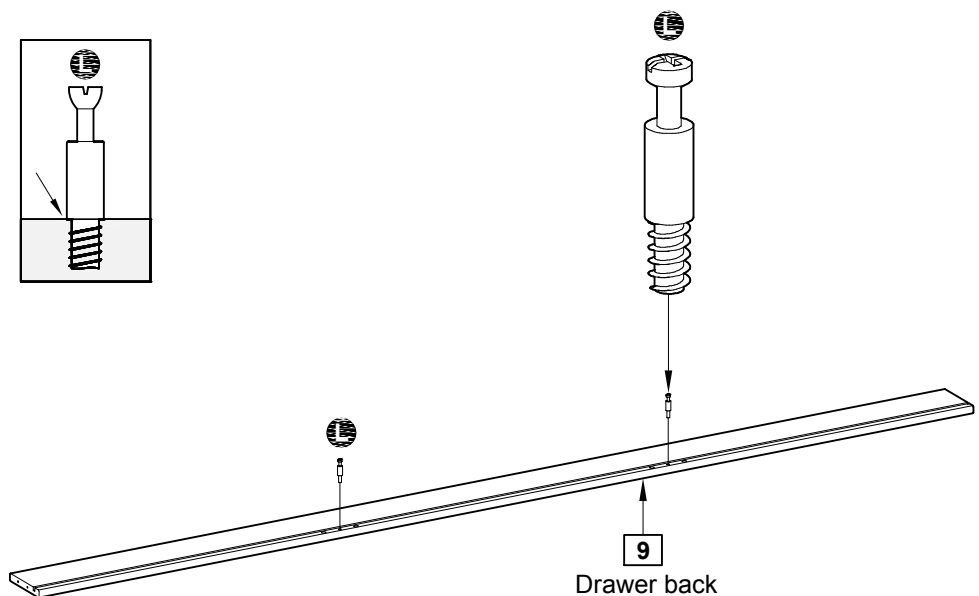


## Step 10

### Mounting the locking pins to the drawer back.

Screw the locking pins **L** into the holes indicated on the drawer back **9**.

**Note:** Insert locking pins **L** as far as shown. **Do not over tighten.**



# Assembly Instructions

## Step 11

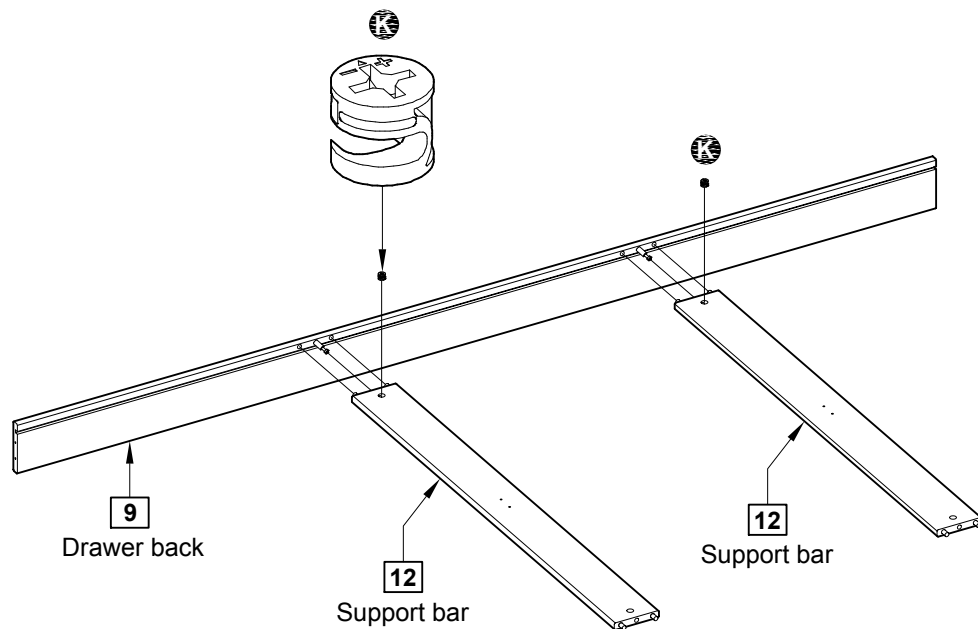
### Adding the support bars to the drawer back.

Fit the support bars **12** onto the drawer back **9**.

See page 4 "Function of cam and locking pin".

Place the cams **K** into the holes indicated, arrows pointing towards the drawer back / locking pin.

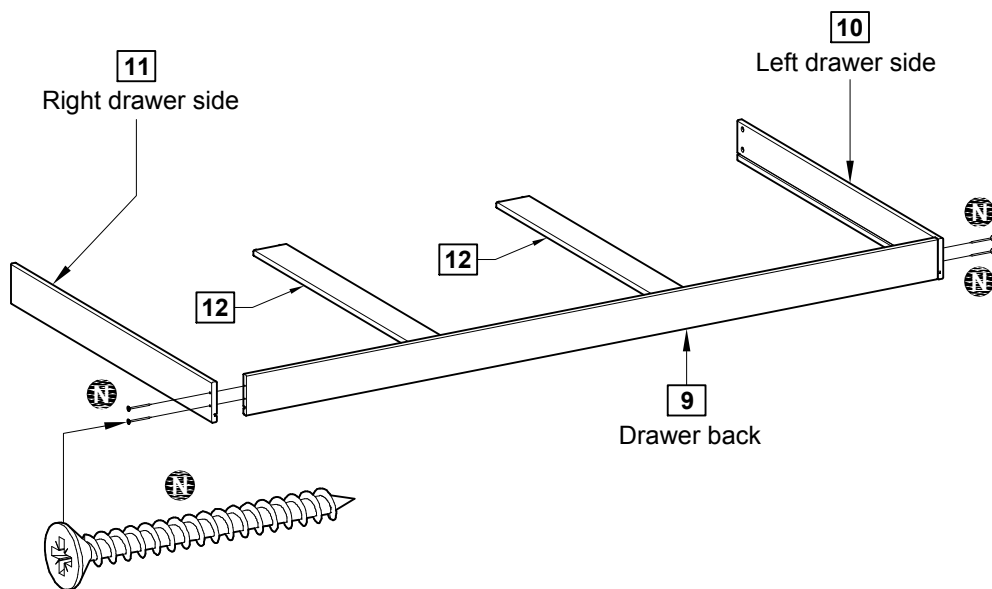
To tighten cams: Turn to the right using a screwdriver.



## Step 12

### Mounting the drawer sides to the drawer back

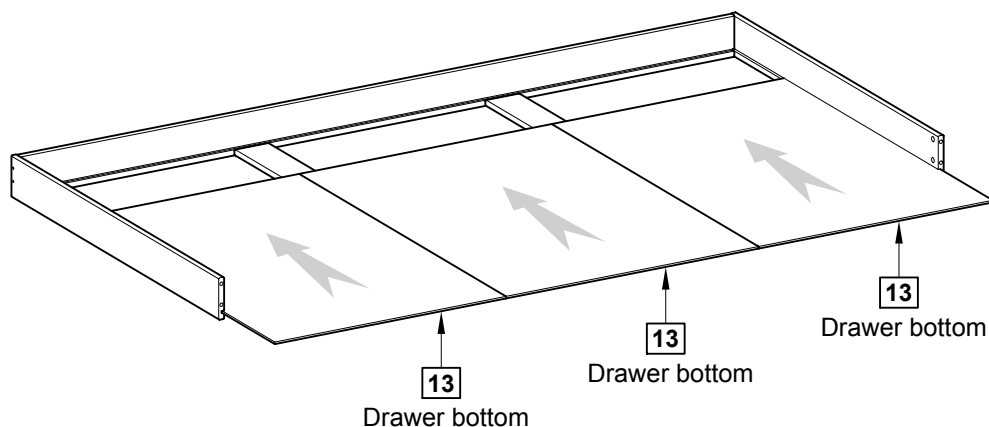
Fix the drawer sides **10** and **11** to the drawer back **9** using screws **N**.



## Step 13

### Sliding the drawer bottoms into the drawer frame.

Slide the drawer bottoms **13** into the grooves of the drawer frame.



# Assembly Instructions

## Step 14

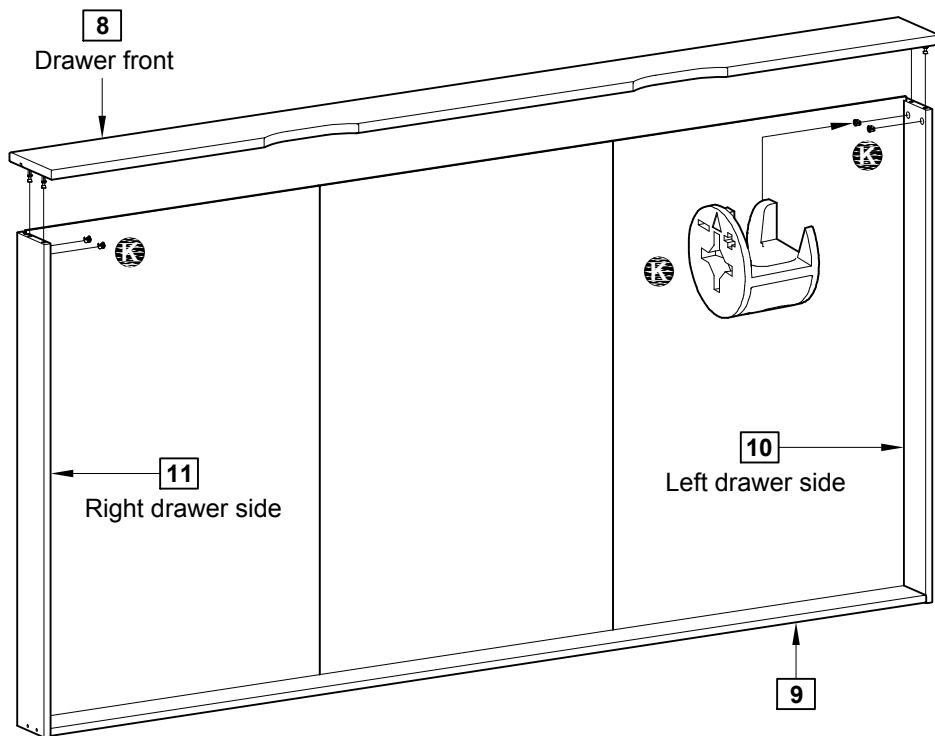
### Adding the drawer front to the drawer frame.

Press the drawer front **8** onto the drawer sides **10** and **11**.

Place the cams **K** into the holes indicated, arrows pointing towards the drawer front / locking pins.

To tighten cams: Turn to the right using a screwdriver.

"Function of cam and locking pin" see page 4.



## Step 15

### Adding the support bars to the drawer back and mounting the casters to the drawer sides and the support bars.

Fit the support bars **12** onto the drawer front **8**.

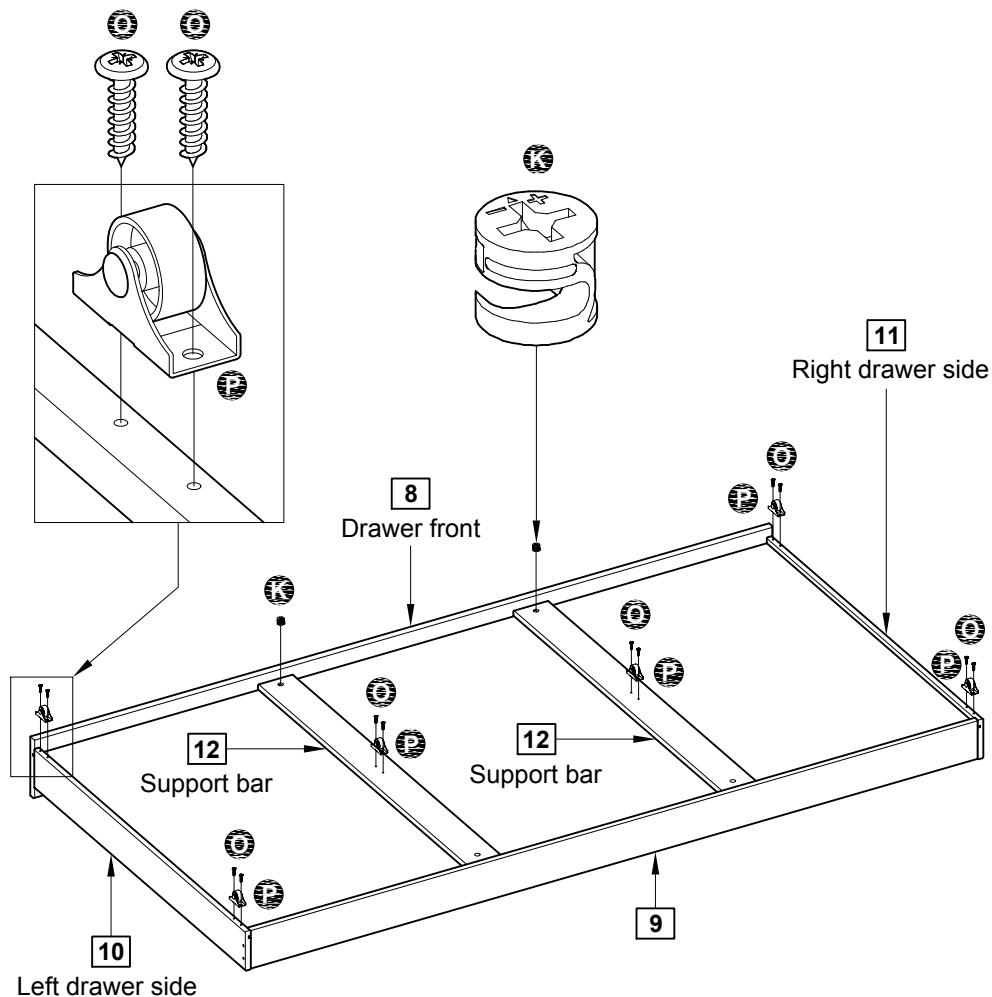
See page 4 "Function of cam and locking pin".

Place the cams **K** into the holes indicated, arrows pointing towards the drawer front / locking pin.

To tighten cams: Turn to the right using a screwdriver.

Fix the casters **P** onto the drawer sides **10**, **11** and the support bars **12** using screws **O** into the pre-drilled holes.

**Assembly is complete.**



If you need help or have damaged or missing parts, call the **Customer Helpline:**  
**Argos = 0345 640 0800**

## Dear Customer.

**Please note that the product you have purchased is a natural living timber.**

**Just like nature itself, wood varies in shape and colour. Knots, vein patterns, resin pockets and colour differences contribute to giving the piece of furniture its beauty and form - a natural part of solid wood.**

**Although the tree has been cut down and dried, it is still alive and therefore will react to high and low temperatures, light, humidity, drought and time.**

**In cold and dry periods, the wood contracts which may lead to small cracks in the piece of furniture. The reverse happens in warm and humid periods where the wood expands and this may result in slight unevenness.**

**The colour of the wood also changes with time, particularly if the furniture is placed in a light place. This is a natural process and part of owning a piece of furniture made of solid wood.**

**Any flexing that has occurred during transport will re-correct itself once this product is correctly assembled.**

**Tighten all joints of the furniture after six months.**

**Please keep these instructions in a safe place for future use.**