

BUSH

Instruction Manual

CDVD2252D/P

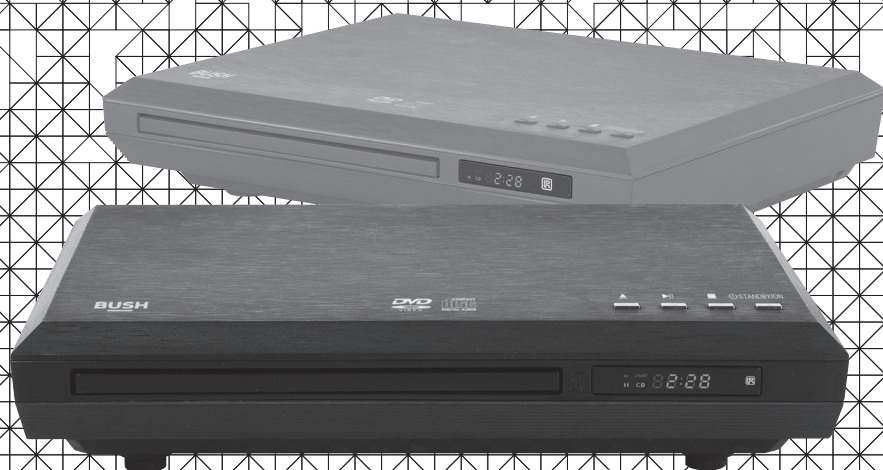
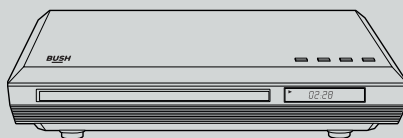


Table of contents

Safety information	2	Last memory	11
Locations	2	Audio - Speaker setup	11
Safety precautions	3	Downmix	11
Disposal information	3	Video quality	11
Disc handling	4	Sharpness	11
Copyright information	4	Brightness	12
Disc types	4	Contrast	12
Region Management Information	4	Gamma	12
Accessories included	5	Hue	12
Overview of controls	5	Saturation	12
Remote battery installation	5	Preferences	12
Electrical Connection	6	TV type	12
Mains plug replacement (UK, Ireland)	6	Audio	12
Remote control overview	7	Subtitle	12
Scart connection	7	Disc menu	12
Powering the unit	8	Parental	12
Getting started	8	Password	12
Basic operation	8	Default	12
Standby	8	Care & maintenance	13
Stop (DVD, CD)	8	Troubleshooting	13
Pause (DVD, CD)	8	Technical specifications	14
Skip forward/backward (DVD, CD)	8		
Search forward/backward (DVD, CD)	8		
Slow motion (DVD)	8		
Display (DVD, CD)	8		
Menu (DVD)	9		
Title (DVD)	9		
Repeat (DVD, CD)	9		
Repeat A-B (DVD, CD)	9		
Numeric keypad (DVD, CD)	9		
Multi-angle (DVD)	9		
Changing the audio track (DVD)	9		
Subtitles (DVD)	9		
Subtitles (DVD) (cont)	10		
Zoom (DVD, Picture disc)	10		
Volume up/down (DVD, CD)	10		
Mute (DVD, CD)	10		
JPEG picture disc	10		
Program playback (DVD, CD)	10		
Program playback (DVD, CD) (cont)	11		
Setup menu	11		
General	11		
TV display	11		
Angle mark	11		
OSD lang	11		
Screen saver	11		
HDCD	11		



Product Codes

CDVD2252D(P)



Safety information

Important – Please read these instructions fully before installation

Safety information

CAUTION: TO REDUCE THE RISK OF ELECTRIC SHOCK, DO NOT REMOVE ANY COVER. NO USER-SERVICEABLE PARTS INSIDE, REFER ANY SERVICING TO QUALIFIED SERVICE PERSONNEL.

- Dispose of all packaging carefully and responsibly.
- The appliance is designed for indoor use only and must be protected from rain, moisture and extreme temperature variations.
- This appliance is designed for household use.
- Do not use the appliance for industrial and commercial use, or any other purpose.
- The appliance **MUST** be positioned on a firm level base.
- Do not place the appliance near a heat source such as radiators, heat registers, stoves or other products that produce heat.
- Slots and openings in the cabinet are provided for ventilation and to ensure operation of the product. These openings must not be blocked or covered by placing the product on bed, sofa, rug or others.
- The appliance shall not be exposed to dripping or splashing and that no objects filled with liquids, such as vases, shall be placed on the appliance.
- Do not use attachments not recommended by the manufacturer as they may cause hazards.
- Do not place this product on an unstable cart, stand, tripod, bracket or table. The product may fall, causing serious injury to users and damage to the product. Use the accessories that recommended by the manufacturer.
- A product and cart combination should be moved with care. Quick stops, excessive force and uneven surfaces may cause the product and cart combination to overturn.
- Keep your fingers well clear of the disc tray as it is closing. Neglecting may cause serious personal injury and damage to the product.
- Do not place heavy object or step on the product.
- This appliance must be positioned so that the plug is accessible.
- For added protection for this product during storm, or when it is left unattended and unused for long periods of time, unplug it from the wall outlet. This will prevent damage to the product due to lightning and power line surges.
- This appliance is not intended for use by persons (including children) with reduced physical, sensory or mental capabilities, or lack of experience and

knowledge, unless they have been given supervision or instruction concerning use of the appliance by a person responsible for their safety. Children should be supervised to ensure that they do not play with the appliance.

- This appliance is not intended for use by young children or infirm persons unless they have been adequately supervised by a responsible person to ensure that they can use the appliance safely. Young children should be supervised to ensure that they do not play with the appliance.
- Do not push objects of any kind into this product through openings as they may touch dangerous voltage points or short out parts that could result in a fire or electric shock. Never spill liquid of any kind on the product.
- The top and rear panels of the product may become warm after a long period if use. This is not a malfunction.
- When the unit is not in use, remove the disc and turn off the power.
- If you do not use the unit for a long period, the unit may not function properly in the future. Turn on and use the unit occasionally.
- Do not place foreign objects on the tray.

Locations

- Do not locate the unit in places near heating devices, high temperature (40C or higher), high humidity (90% or higher), dirty places and avoid direct exposure to sunshine.
- The unit should not be placed near a TV, radio or VCR, the playback picture may become poor and the sound may be distorted.
- The pick up may be condensed with water under the following situation.
From a cold place to warm place
Operates in a room where the heater is just turned on, or a place where the cold air from the air conditioner directly hits the unit.
During summer, the unit moves from an air conditioned room to a hot and humid place.
A room is vaporous or damp.
- If condensation exists, the unit will not operate properly. Remove the disc, power up the unit and leave it for two to three hours. The unit will warm up and evaporate any moisture.



Safety information

Important – Please read these instructions fully before installation

Safety precautions



The lightning flash with arrowhead symbol, within an equilateral triangle, is intended to alert the user to the presence of uninsulated “dangerous voltage” within the product’s enclosure that may be of sufficient magnitude to constitute a risk of electric shock to persons.



The exclamation point within an equilateral triangle is intended to alert the user to the presence of important operating and maintenance (servicing) instructions in the literature accompanying the appliance.



The symbol for CLASS II (Double Insulation).

WARNING: To reduce the risk of fire or electric shock, do not expose this appliance to rain or moisture, dangerous high voltages are present inside the enclosure. Do not open the cabinet, refer servicing to qualified personnel only.

CAUTION: When replacing the direct plug in power supply or a separable, cord-connected power supply, the replacement must be exact duplicate, or one recommended by the manufacturer.

This is a CLASS-1 laser product. Use of controls or adjustments or procedures other than those specified herein, may result in hazardous laser light beam exposure. Do not open the cover and do not repair yourself. Refer servicing to qualified personnel.



DANGER: Visible and invisible laser radiation when open and interlock failed or defeated. Avoid direct exposure to laser beam.

Disposal information



WEEE marking “Information for the consumer”

Disposal of your old product Your product is designed and manufactured with high quality materials and components, which can be recycled and reused. When this crossed out wheeled bin symbol is attached to a product it means the product is covered by the European Directive 2002/96/EC. Please make yourself aware of the local collection system for electrical and electronic products. Please act according to your local rules and do not dispose of your old products with your normal household waste. The correct disposal of your old product will help prevent potential negative consequences for the environment and human health.



This product complies with European low voltage (2006/95/EC) and electromagnetic compatibility (2004/108/EC) directives.

Warning

Important – Please read these instructions fully before installation

Disc handling

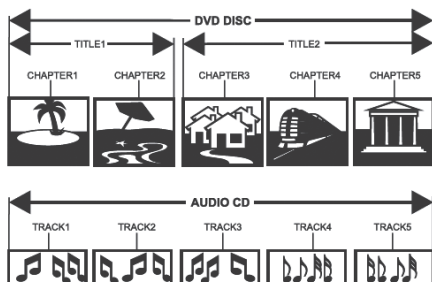
- Do not touch the playback side of the disc.
- Do not attach paper or tape to disc.



- Fingerprints and dust on the disc cause picture and sound deterioration. Wipe the disc from the centre outwards with a soft cloth. Always keep the disc clean.



- If you cannot wipe off the dust with a soft cloth, wipe the disc lightly with a slightly moistened soft cloth and finish with a dry cloth.
- Do not use any type of solvent such as thinner, benzene, commercially available cleaners or antistatic spray for vinyl. It may damage the disc.
- Do not store discs in a place subject to direct sunlight or near heat source.
- Do not store discs in a place subject to moisture and dust such as a bathroom or near a humidifier.
- Store discs vertically in a case, stacking or placing object on discs outside or their case may cause warping.
- Normally, DVD discs are divided into titles, and the titles are sub-divided into chapters. Audio CD discs are divided into tracks.



- Each title, chapter, or track is assigned a number, which is called title number, chapter number or track number respectively. There may be discs that do not have these numbers.

Copyright information

This product incorporates copyright protection technology that is protected by U.S. patents and other intellectual property rights. Use of this copyright protection technology must be authorized by Macrovision, and is intended for home and other limited viewing uses only unless otherwise authorized by Macrovision. Reverse engineering or disassembly is prohibited.

Disc types

 - Audio and Video

Disc size 12cm
Single side, single layer / single side, double layer
PAL and NTSC DVD disc
Playback time 135min / 240min max

 - Audio

Disc size 12cm / 8cm CD disc Playback time
74min/20min max

JPEG - Picture

JPG format disc

* Player is DVD-Video, DVD+/-R, DVD+/-RW, CD-DA, CD-R, CD-RW compatible.

Region Management Information



This DVD Player is designed and manufactured to respond to the Region Management Information that is recorded on a DVD disc. If the Region number described on the DVD disc does not correspond to the Region number of this DVD Player, this DVD player can not play that disc.

The Region number of this DVD player is 'REGION 2'

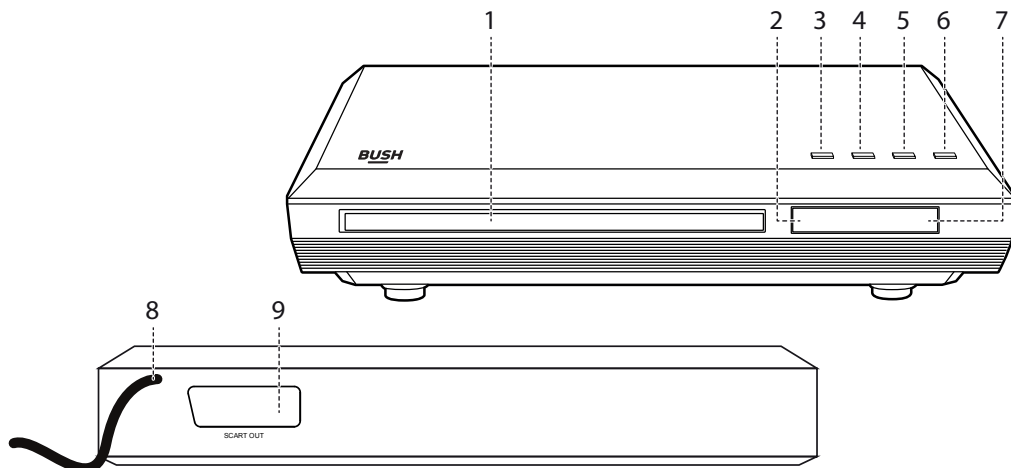
Functions & controls

Please familiarize yourself with the parts and accessories listed below

Accessories included

- 1 x CDVD2252D(P)
- 1 x Instruction Manual
- 1 x Remote control (with batteries)

Overview of controls

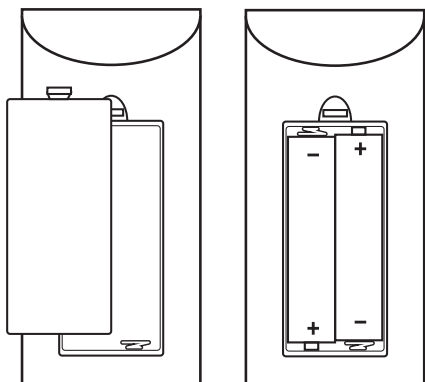


- 1:** DVD disc tray
- 2:** LED display
- 3:** EJECT button

- 4:** PLAY/PAUSE button
- 5:** STOP button
- 6:** STANDBY/ON button

- 7:** IR remote sensor
- 8:** MAINS POWER cable
- 9:** SCART output socket

Remote battery installation




Before use, the remote control will need batteries fitting. These are supplied with the package and need removing from their packaging before fitting.

- 1:** Remove the battery compartment lid by pressing the tab inwards and lifting the lid upwards.
- 2:** Fit **2 x AAA** batteries as shown. Take care to match the polarities of the remote to the batteries. **EG:** the + sign on the battery matches the + sign on the remote control battery compartment.
- 3:** Replace the battery compartment lid and proceed to use.

Installation

Electrical Connection

 Any electrical work that is required to install this appliance **MUST** be carried out by a qualified electrician.

Before making any electrical connections, ensure the following:

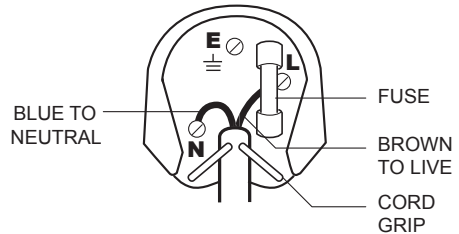
- Do not bend, stretch or pull the supply cable in order to avoid electric shock.
- The supply voltage should be the same as that indicated in the technical specifications and the appliance rating plate.
- When installed, the power socket must be within easy reach.
- If the socket outlets in your home are not suitable for the plug supplied with this unit check with a qualified electrician for replacement.
- The use of multiple connectors or extension cables are not recommended.
- The appliance must be connected to a 220-240 volt 50Hz AC supply by means of a three pin socket.
- The main plug is used as the disconnect device, the disconnect device shall remain readily operable.
- In order to disconnect the apparatus from the mains completely, the mains plug should be disconnected from the mains socket outlet completely.

Mains plug replacement (UK, Ireland)

Should you need to replace the plug; the wires in the power cable are coloured in the following way:

Blue: – Neutral 'N'

Brown: – Live 'L'



As the colours of the wires in the power cable may not correspond with the coloured markings identifying the terminals in your plug, and proceed as follows:

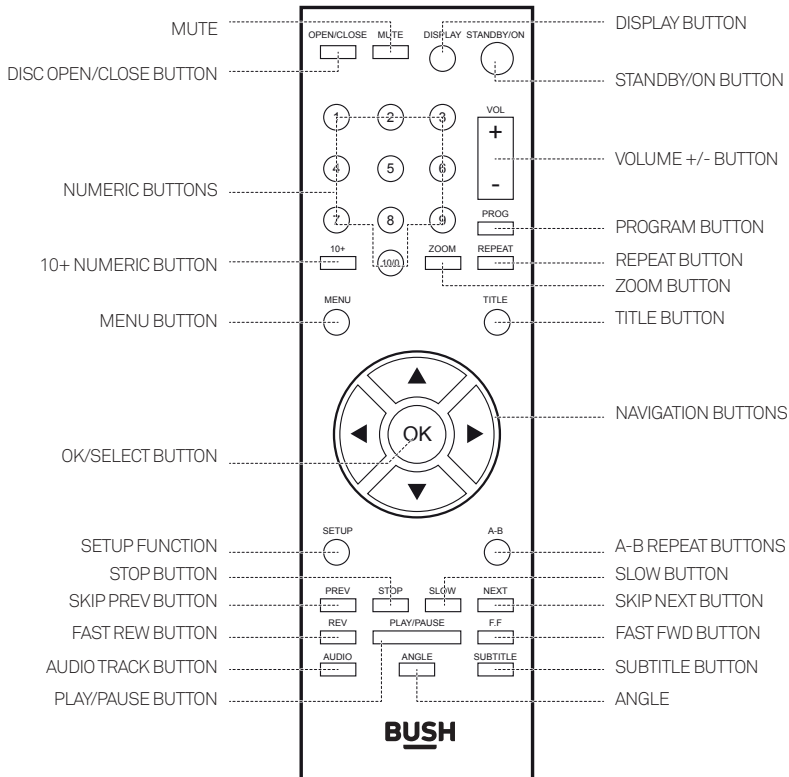
The blue wire must be connected to the terminal that is marked with the letter N.

The brown wire must be connected to the terminal that is marked with the letter L.

If power supply cord is damaged, it must be replaced by the manufacturer or its service agent or a similar qualified person in order to avoid a hazard.

User instructions

Remote control overview



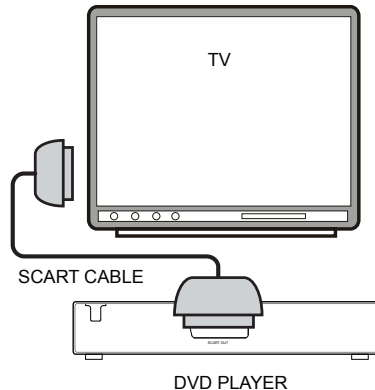
Scart connection

NOTE: before you make any connections, ensure the DVD player and TV / Monitor you wish to connect to is switched OFF.

SCART: Carries both **VIDEO & AUDIO**.

This unit is not supplied with a SCART cable, you will need to purchase one separately.

- 1: Connect one end of the **SCART** cable to the **SCART** input (9) on the rear of the **DVD** player.
- 2: Connect the other end of the **SCART** cable to a **SCART** input on the rear of your **TV** or **MONITOR**.



User instructions

Powering the unit

Connect the Mains power plug to a mains power socket and switch the power ON if required.

Getting started

Follow the below steps to get started

- 1: Ensure you have correctly connected the **SCART** cable to the **TV** and **DVD** player (see page 6).
- 2: Turn on your **TV/Monitor** and set it to the correct input. This will depend on which **SCART** input (**TV**) you connected the **DVD** player to.
- 3: Press the **STANDBY/ON** button on the **DVD** player (6) or on the remote.
- 4: Press the **OPEN/CLOSE** button on either the remote or **DVD** player (3). Insert a disc (label side up), press the **OPEN/CLOSE** button once again to shut the drawer and wait for the **DVD** player to read the disc.
- 5: Use the navigation buttons on the remote to navigate to the play option on the **DVD** menu.
When an audio **CD** is inserted the first track will begin playback automatically.
A picture **CD** will load and display the contents of the disc in a file browser.
- 6: Press the **OK** or **PLAY/PAUSE** button to begin playback.

Basic operation

Standby

- 1: Press the **STANDBY/ON** button to enter the standby mode when the unit is not in use.
- 2: Press the **STANDBY/ON** button again to power the unit **ON**.

NOTE: This unit is designed to enter **STANDBY** mode automatically after 30 MINUTES of inactivity. Press the **STANDBY** button to wake the unit.

Stop (DVD, CD)

- 1: Pressing the **STOP** button once during playback will stop play at the current position.
- 2: Pressing the **PLAY/PAUSE** button at this point will resume playback from the position you stopped playback from.
- 3: If you press the **STOP** button twice, playback will cease and the resume option will not be available.

Pause (DVD, CD)

- 1: If you need to pause the playback at any time, press the **PLAY/PAUSE** button.
- 2: To resume playback press the **PLAY/PAUSE** button once more.

Skip forward/backward (DVD, CD)

- 1: Press either **◀◀** or **▶▶** buttons during playback to skip a chapter (**DVD**) or a track (**CD**) ahead or backwards.

NOTE: This function may not work during the "Warning" section of a DVD.

Search forward/backward (DVD, CD)

- 1: During playback, press either **◀◀** or **▶▶** buttons to fast search forwards or backwards.
- 2: Each press increases the search speed from **2X**, **4X**, **8X** **16X** & **32X** the next press of the button will resume normal playback.

NOTE: This function may not work during the "Warning" section of a DVD.

Slow motion (DVD)

- 1: During playback, it is possible to slow the speed down. Press the **SLOW** button to activate the mode.
- 2: Each press of the **SLOW** button cycles through the following options: **1/2**, **1/4**, **1/8** or **1/16** and **OFF**.
- 3: You can resume normal playback at any time by pressing the **PLAY/PAUSE** button.

Display (DVD, CD)

Press the **DISPLAY** button to show various information about the currently playing disc, like chapter, type of disc, time & title.

- 1: Press the **DISPLAY** button to activate the function
- 2: Press the **DISPLAY** button repeatedly to cycle through the options available.

NOTE: Different types of disc will show different options.

User instructions

Menu (DVD)

- 1: Pressing the **MENU** button during playback activates the disc main menu.

Title (DVD)

- 1: Pressing the **TITLE** button during playback activates the disc's title menu (**if available**).

NOTE: The **TITLE** menu is the beginning track of a disc. (not all discs contain these and as such the **TITLE** button may not respond).

Repeat (DVD, CD)

The repeat function allows you to view a section of a disc repeatedly.

DVD

- 1: Press the **REPEAT** button to activate the first repeat function **CHAPTER**.
- 2: Press again to swap to **TITLE**.
- 3: Press once more to swap to **REPEAT ALL**.
- 4: Another press of the **REPEAT** button disables the function.

CD

- 1: Press the **REPEAT** button to activate the first repeat function **REPEAT 1**.
- 2: Press again to swap to **REPEAT ALL (repeats all track on the current disc)**.
- 3: Another press of the **REPEAT** button disables the function.

NOTE: Some discs may not allow repeat functions.

Repeat A-B (DVD, CD)

This function allows you to set a start & end time to be repeated.

- 1: Press the **A-B** button to set the start frame "A".
- 2: Press the **A-B** button once more to set the end frame "B". The player will now repeat the section from **A** to **B**.
- 3: To cancel the **REPEAT A-B** function press the **A-B** button again.

NOTE: Some discs may not allow repeat functions. The period between A & B should be at least 3 seconds long.

Numeric keypad (DVD, CD)

It is possible to use the numeric keys to control various functions on the player, for example.

TRACK: when playing a **CD** disc

CHAPTER/TITLE: When playing a **DVD** disc.

- 1: Input the required chapter or track number using the numeric keypad.
- 2: To select chapter or track **10**, press the **10+** button. To select chapter or track **22** press the **10+** button twice and then the **2** button. If the second digit is '0' press the **10+** button.

Multi-angle (DVD)

Some disc contain scenes which have been shot simultaneously from a number of different angles. For these discs, the same scene can be viewed from each of these angles by using the **ANGLE** button.

- 1: During playback, pressing the **ANGLE** button will cycle through the available angles (**if any exist**).

NOTE: A single DVD disc can contain up to 9 different viewing angles.

Changing the audio track (DVD)

It is common for a DVD disc to contain more than one audio track for example 5.1 audio, stereo audio and other languages.

- 1: Press the **AUDIO** button to cycle through the available options.

NOTE: This DVD player does NOT support DTS audio. If you select a DTS audio track or one is selected automatically no sound will be output. Should this occur select a compatible audio track.

Subtitles (DVD)

You may wish to watch a DVD with a subtitle track enabled. To activate and choose the correct subtitle track follow these steps.

- 1: Press the **SUBTITLE** button to activate the first set of subtitles.

User instructions

Subtitles (DVD) (cont)

- 2: Press the **SUBTITLE** button repeatedly to cycle through the available subtitle options.
- 3: Press the **SUBTITLE** button repeatedly until you reach **OFF** to disable the subtitle function.

Zoom (DVD, Picture disc)

To zoom into the displayed image follow the below steps.

- 1: Press the **ZOOM** button to activate the default zoom setting of **1**. Every subsequent press cycles through the zoom options eg: **1, 2, 3, 4, 1/2, 1/3 & 1/4**. The next press will return to the **OFF** setting.
- 2: When in **ZOOM** mode you can use the navigation button to scroll the picture up, down, left & right.

NOTE: Zooming into the picture will degrade the quality of the viewed image as the pixels are being stretched.

Volume up/down (DVD, CD)

The **VOL+/-** buttons on the remote control the volume output level.

Mute (DVD, CD)

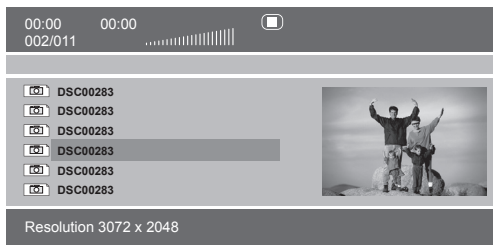
This function will instantly silence the audio.

- 1: Press the **MUTE** button, the audio will cease.
- 2: Press the **MUTE** button again to resume.

JPEG picture disc

JPEG picture discs can be obtained from any good photo developing lab when your photos are developed. Or can be created manually on a computer.

- 1: Insert a **JPEG** disc into the **DVD** player. A file browser menu will be displayed.



JPEG picture disc (cont)

- 2: You can use the navigation buttons to scroll through the list of images. Press the **PLAY** or **OK/SELECT** button to begin a slide show of the entire contents of the disc from the selected image.

NOTE: Use the navigation buttons to scroll up and down, left to right and press the **OK** button to select.

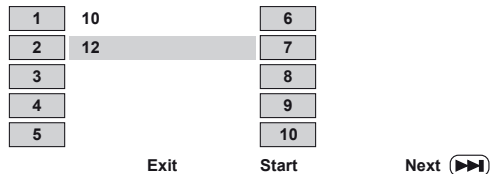
- 3: Press the **STOP** button to return to the file browser screen.
- 4: To display an image indefinitely press the **PLAY/PAUSE** button. To resume the slide show press the **PLAY/PAUSE** button once more.

- During the slide show the navigation buttons will rotate the displayed image.
- The **◀◀** or **▶▶** buttons will skip to the previous or next image.
- Press the **ZOOM** button to activate the default zoom setting of 100%. Every subsequent press cycles through the zoom options eg: 100%, 125%, 150%, 200%, 75% & 50%.
- Repeat can be set to **REP ONE, REP FOLDER, FOLDER, SINGLE** or **OFF** by repeatedly pressing the **REPEAT** button.

NOTE: The **REPEAT** function can only be set from the file browser screen.

Program playback (DVD, CD)

- 1: Press the **PROG** button to begin the program function.



- 2: Use the navigation buttons to highlight Track **1**.
- 3: Enter the **CHAPTER /TRACK** number **EG:-** Chapter/Track **22** would mean pressing the **'10+'** button twice and then the **'2'** button.

User instructions

Program playback (DVD, CD) (cont)

- 4: Repeat steps 2-3 until you have programmed all the chapters/tracks required. Should you require more chapters/tracks than 10, navigate to the **NEXT** icon and press the **ENTER** button. Tracks 11-20 will now be programmable.
- 5: Once the programming is complete navigate to the **START** icon and press the **OK/SELECT** button to begin playback of your programmed sequence.

Setup menu

The setup menu contains various preferences for functions found on the unit. To enter the Setup menu press the **SETUP** button on the remote control.

NOTE: Use the navigation buttons to scroll up and down, left to right and press the **ENTER** button to select. To access the 'preferences' panel, press the **STOP** button twice during playback or press **SETUP** without a disc loaded.

General

General	Audio	Video	Preference
-- General setup page --			
TV Display	Wide		
Angle Mark	On		
OSD Lang	ENG		
Screen Saver	On		
HDCD	Off		
Last Memory	On		
Go To General Setup Page			

TV display

Choose a setting between 4:3/PS (pan and scan), Normal/LB (letter box) or Wide/16:9 (widescreen).

Angle mark

Enabling this function displays an icon for a compatible disc when multiple angles are available for selection.

OSD lang

This sets the On Screen Display language. Choose between: English, French, Spanish & German.

Screen saver

When the unit is not in use, the DVD logo will appear as a screen saver to prevent screen burn in. Choose **ON** or **OFF**.

HDCD

When playing CD's or HDCD's you can apply filters to the sound output. Select from **1X**, **2X** and **OFF**.

Last memory

When set to **ON** the unit will remember the last position on a disc before the unit was shut down (**STANDBY**).

Audio - Speaker setup

General	Audio	Video	Preference
-- Audio setup page --			
Speaker Setup			
Go To Audio Setup Page			

Downmix

This option allows you to change the way the audio is assigned to each speaker. Choose from:
LT/RT - Left / Right mixed mode
STEREO - Stereo audio output

Video quality

General	Audio	Video	Preference
Video Quality Setup			
Sharpness	Mid	High	
Brightness	00	Medium	
Contrast	00	Low	
Gamma	None		
Hue	00		
Saturation	00		
Sharpness			

Sharpness

Set the video sharpness level. Select from **LOW**, **MEDIUM** or **HIGH**.

User instructions

Brightness

Set the video brightness level. Use the ◀/▶ buttons to increase or decrease from **-20** to **+20**. Press the **OK/SELECT** button to complete the setting.

Contrast

Set the video contrast level. Use the ◀/▶ buttons to increase or decrease from **-16** to **+16**. Press the **OK/SELECT** button to complete the setting.

Gamma

Set the video gamma level. Select from **NONE**, **LOW**, **MEDIUM** or **HIGH**.

Hue

Set the video hue level. Use the ◀/▶ buttons to increase or decrease from **-9** to **+9**. Press the **OK/SELECT** button to complete the setting.

Saturation

Set the video saturation level. Use the ◀/▶ buttons to increase or decrease from **-9** to **+9**. Press the **OK/SELECT** button to complete the setting.

Preferences

General	Audio	Video	Preference
-- Preference Page --			
TV Type	PAL	PAL	
Audio	ENG	AUTO	
Subtitle	Off	NTSC	
Disc Menu	ENG		
Parental			
Password			
Default			
Set TV Standard			

TV type

Set this option to whatever type of disc you are watching, **NTSC**, **PAL** or **AUTO** (to set automatically).

Audio

Choose the default audio setting. This means the DVD player will automatically select this language as the audio track (if available).

Select from: English, French, Spanish, German, Danish, Finnish & Norwegian

Subtitle

Select the default subtitle language.

Select from: English, French, Spanish, German, Danish, Finnish, Norwegian & Off.

Disc menu

This option sets the default DVD menu language, once set if the DVD you are watching contains a menu with your specified language that is used by default.

Select from: English, French, Spanish, German, Danish, Finnish & Norwegian

Parental

Choose between: Kid Safe, G, PG, PG13, PG-R, R, NC-17 and Adult. When changing the parental level you will be asked to enter the password. The default password is **'1234'**.

Password

Enter a new password. First you will be required to enter the current password. This will be **'1234'** if changing for the first time.

Once you have entered a correct existing password you can then enter your new password and confirm. Press the **OK/SELECT** button to save the new password.


NOTE: The master override password can be used if you change the default but forget the new password. The master password is **'1234'**.

Default

Activating this option resets every setting to the factory default.

Troubleshooting & Maintenance

Care & maintenance

 **Important:** Always unplug the appliance from the power socket during cleaning and maintenance.

Never use any sharp instruments or abrasive substances, soap, household cleaner, detergent or wax polish for cleaning.

Clean the external surfaces with a damp soft cloth only. Never use abrasive products or solvents as it may damage the appliance.

Troubleshooting

In the unlikely event of difficulties with your appliance please follow the trouble shooting guide below. If the problem persists, contact the retailer if the machine is still under guarantee.

Customer helpline: 0870 600 3030

Problem	Reason(s)	Solution(s)
No Power	<ul style="list-style-type: none">• Power cable not connected to wall socket	<ul style="list-style-type: none">• Make sure the plug is connected
No Picture	<ul style="list-style-type: none">• TV not set to the correct input• SCART cable improperly connected	<ul style="list-style-type: none">• Set to the correct input channel• Re-connect the cable
No Sound	<ul style="list-style-type: none">• SCART cable improperly connected• Audio output setting not correct• Non compatible DTS audio track selected.	<ul style="list-style-type: none">• Re-connect the cable• Set to the correct mode• Press the AUDIO button repeatedly to cycle through the available audio tracks.
Distorted Picture	<ul style="list-style-type: none">• Disc is dirty• In fast forward or rewind mode	<ul style="list-style-type: none">• Clean the disc or try another disc• Picture distortion can occur during this function. It is normal.
Unable to Play	<ul style="list-style-type: none">• No disc in the tray• Disc not loaded properly• Disc is dirty• Setup menu obscures the picture	<ul style="list-style-type: none">• Insert a compatible disc• Check the disc loaded• Clean the disc• Press the SETUP button to close the menu
Remote not working	<ul style="list-style-type: none">• Batteries low• Object obstructing the sensor• Remote too far away from the DVD	<ul style="list-style-type: none">• Replace the batteries• Move the object• Move closer

Specifications

Technical specifications

DVD player

Power	• 100-240V 50/60Hz	
Power Consumption	• <0.5W (standby), 12W (maximum)	
Video Output	• SCART	• RGB output level: 0.7 ± 0.1 Vp-p • (Load impedance: 75Ω) • Audio output level: $2.0 \pm 0/-0.2$ Vrms • (Load impedance: $10K\Omega$)
Laser	• Wavelength 650nm	
Video	• NTSC/PAL/AUTO	
Frequency Response	• 20Hz ~ 20KHz (± 3 dB)	
Signal/noise ratio	• ≥ 90 dB	
Channel separation	• ≥ 85 dB (1KHz)	
Dynamic range	• ≥ 80 dB (1KHz)	
Dimensions	• 225 x 190 x 50mm	

Guarantee

BUSH

PRODUCT GUARANTEE

This product is guaranteed against manufacturing defects for a period of



Year

This product is guaranteed for twelve months from the date of original purchase.

Any defect that arises due to faulty materials or workmanship will either be replaced, refunded or repaired free of charge where possible during this period by the dealer from whom you purchased the unit.

The guarantee is subject to the following provisions:

- The guarantee does not cover accidental damage, misuse, cabinet parts, knobs or consumable items.
- The product must be correctly installed and operated in accordance with the instructions contained in this manual.
- It must be used solely for domestic purpose.
- The guarantee will be rendered invalid if the product is re-sold or has been damaged by inexpert repair.
- Specifications are subject to change without notice.
- The manufacturer disclaims any liability for the incidental or consequential damages.
- The guarantee is in addition to, and does not diminish your statutory or legal rights.

Guarantor: Argos Limited
489 - 499 Avebury Boulevard
Central Milton Keynes
MK9 2NW