

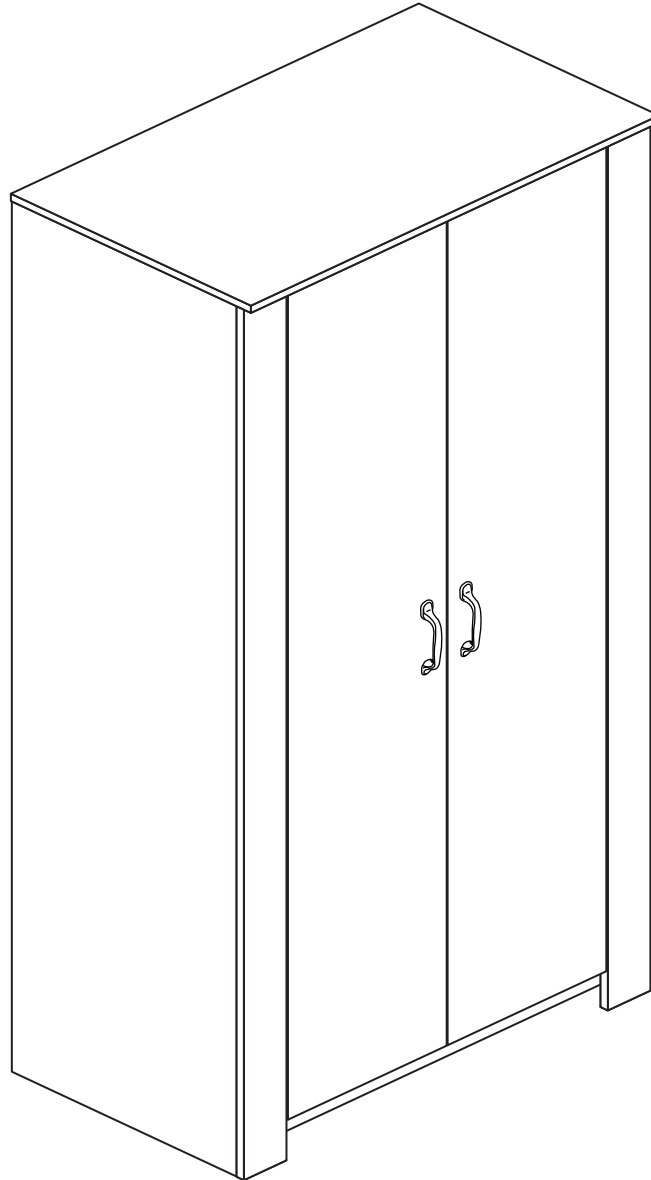
Dalton - 2 Door Robe

Assembly Instructions - Please keep for future reference

228/5713

245/8186

248/4040



Dimensions

Width - 84.5cm

Depth - 50cm

Height - 182cm



**MADE IN
BRITAIN**

Important - Please read these instructions fully before starting assembly

If you need help or have damaged or missing parts, call the **Customer Helpline: 08456 400800**



Safety and Care Advice

Important - Please read these instructions fully before starting assembly

- **Warning:** This unit weighs approximately 44.5kgs. Please lift with care.

- Check you have all the components and tools listed on pages 2 and 3.

- Remove all fittings from the plastic bags and separate them into their groups.

- Keep children and animals away from the work area, small parts could choke if swallowed.

- Parts of the assembly will be easier with 2 people.

- Make sure you have enough space to layout the parts before starting.

- Do not stand or put weight on the product, this could cause damage.

- Assemble the item as close to its final position (in the same room) as possible.

- Assemble on a soft level surface to avoid damaging the unit or your floor (use opened out unit carton).



- We do not recommend the use of power drill/drivers **for inserting screws**, as this could damage the unit. Only use hand screwdrivers.

- **Safety note:** It is recommended that this unit is secured to a wall using the bracket supplied.

- Dispose of all packaging carefully and responsibly.

Care and maintenance

- Only clean using a damp cloth and mild detergent, do not use bleach or abrasive cleaners.

- From time to time check that there are no loose screws on this unit.

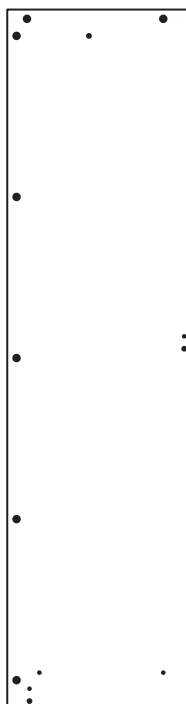
- This product should not be discarded with household waste. Take to your local authority waste disposal centre.

Note: If required the next page can be cut out and used as reference throughout the assembly. Keep this page with these instructions for future reference.

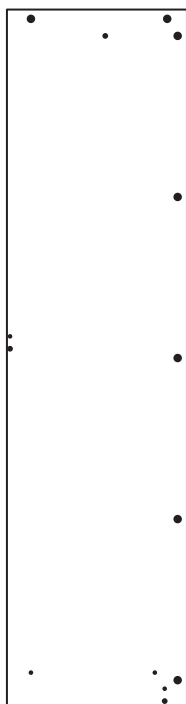
Components - Panels

If you have damaged or missing components, call the **Customer Helpline: 08456 400800** quoting the reference numbers below

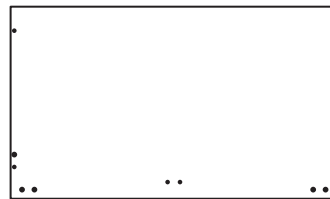
Please check you have all the panels listed below



1 Left End (DF708)
(1800 x 465mm)



2 Right End (DF709)
(1800 x 465mm)



3 Top (DF710)
(843 x 496mm)



4 Base (DF715)
(809 x 457mm)



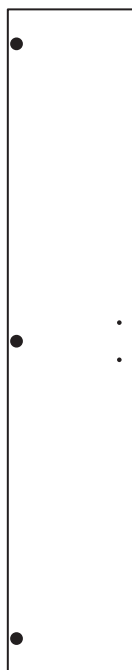
5 Rail (DF713)
(809 x 80mm) x 2



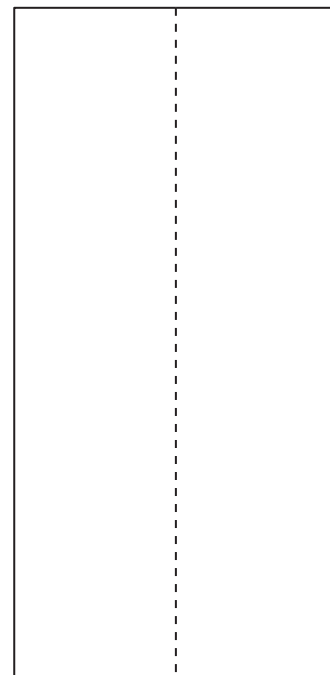
6 Palister (DF714)
(1800 x 88mm) x 2



7 Hanging Rail (FHR801)
(801mm long)



8 Door (DF711)
(1714 x 328mm) x 2



9 Back (DF716)
(1731 x 835mm)

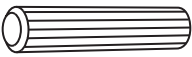
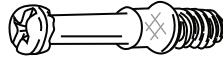

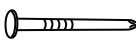
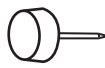



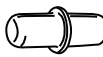
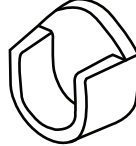
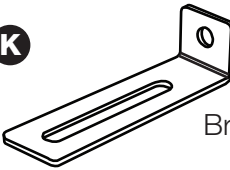
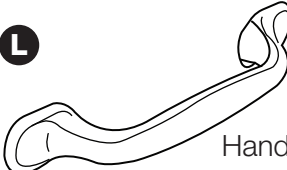
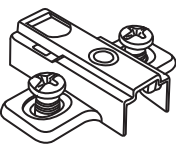
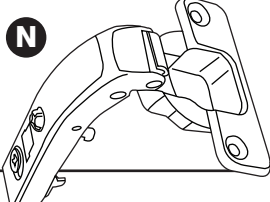


Components - Fittings

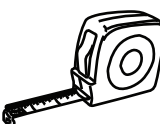
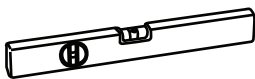

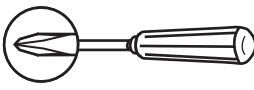

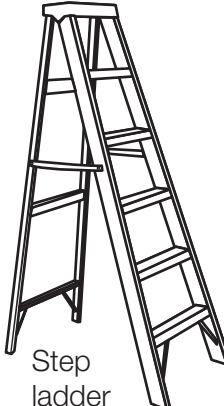
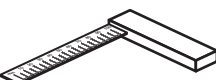


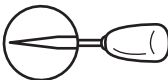
If you have damaged or missing components, call the **Customer Helpline: 08456 400800** quoting the reference numbers below

Please check you have all the fittings listed below

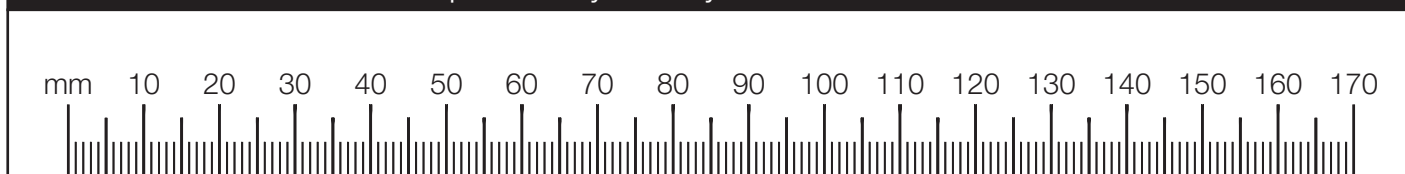
Note: The quantities below are the correct amount to complete the assembly. In some cases more fittings may be supplied than are required.

<p>A </p> <p>Wooden dowel (F22) x 10</p>	<p>B </p> <p>Metal dowel (F901) x 22</p>	<p>C </p> <p>Large locking nut (F900) x 22</p>
<p>D </p> <p>Nail (F51) x 34</p>	<p>E </p> <p>Plastic Nail (F91) x 4</p>	<p>F </p> <p>19mm Screw (F461) x 4</p>
<p>G </p> <p>13mm Screw (F79) x 1</p>	<p>H </p> <p>13mm Screw (F63) x 14</p>	<p>I </p> <p>Shelf stud (F110) x 2</p>
<p>J </p> <p>Rail holder (F1014) x 2</p>	<p>K </p> <p>Bracket (F327) x 1</p>	<p>L </p> <p>Handle (F287) x 2</p>
<p>M </p> <p>Hinge Plate (F325) x 6</p>	<p>N </p> <p>Hinge Arm (F324) x 6</p>	

Tools required

<p></p> <p>Rule</p>	<p></p> <p>Spirit level</p>	<p></p> <p>Eye protection (when using a hammer or drill)</p>	<p></p> <p>Cross-head screwdriver</p>	<p></p> <p>Electric drill (only use when drilling into walls)</p>	<p></p> <p>Step ladder</p>
<p></p> <p>Square</p>	<p></p> <p>Scissors</p>	<p></p> <p>Hammer</p>	<p></p> <p>Bradawl</p>		

Ruler - Use this ruler to help correctly identify the screws



Assembly Instructions

If you have damaged or missing components, call the Customer Helpline: 08456 400800 quoting the reference numbers below

Step 1

Prepare the left end

Tap a wooden dowel **A** into the left end **1**.

Note: Wooden dowels **must not** stick out from the edge by more than 10mm or they may damage other panels.

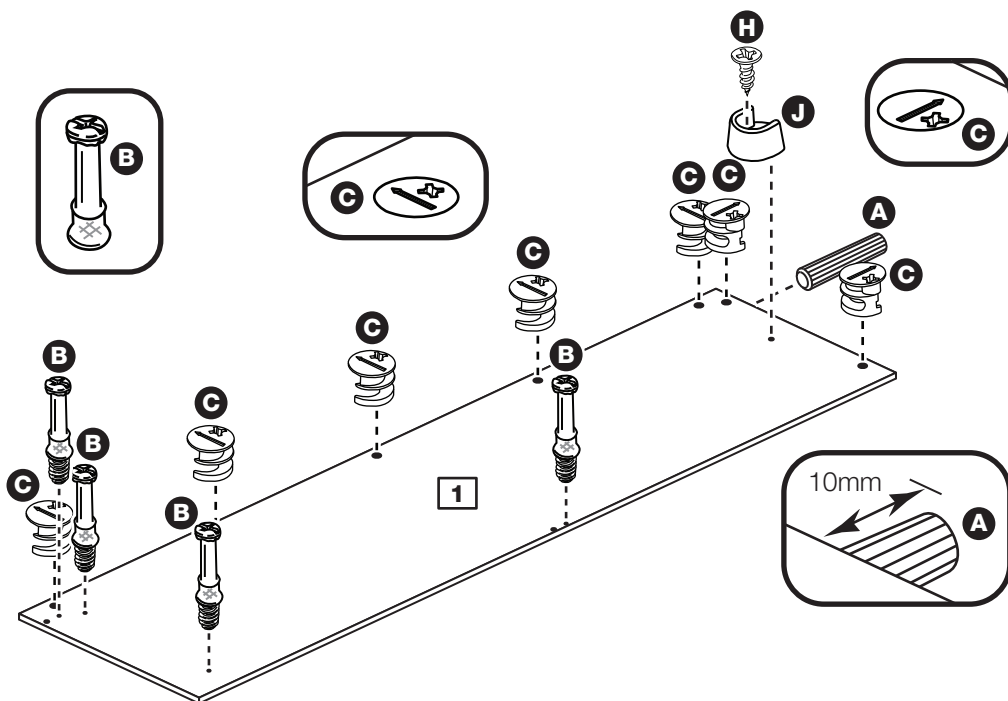
Insert 7 large locking nuts **C** into the left end **1**.

Note: The arrow on the locking nut **must** point towards the hole in the edge of the panel.

Screw 4 metal dowels **B** into the left end **1**.

Note: Tighten the metal dowels up fully against the panels.

Push a rail holder **J** into the left end **1**. Make sure that it is fitted straight, in line with the panel edges and then secure with screw **H**.



Step 2

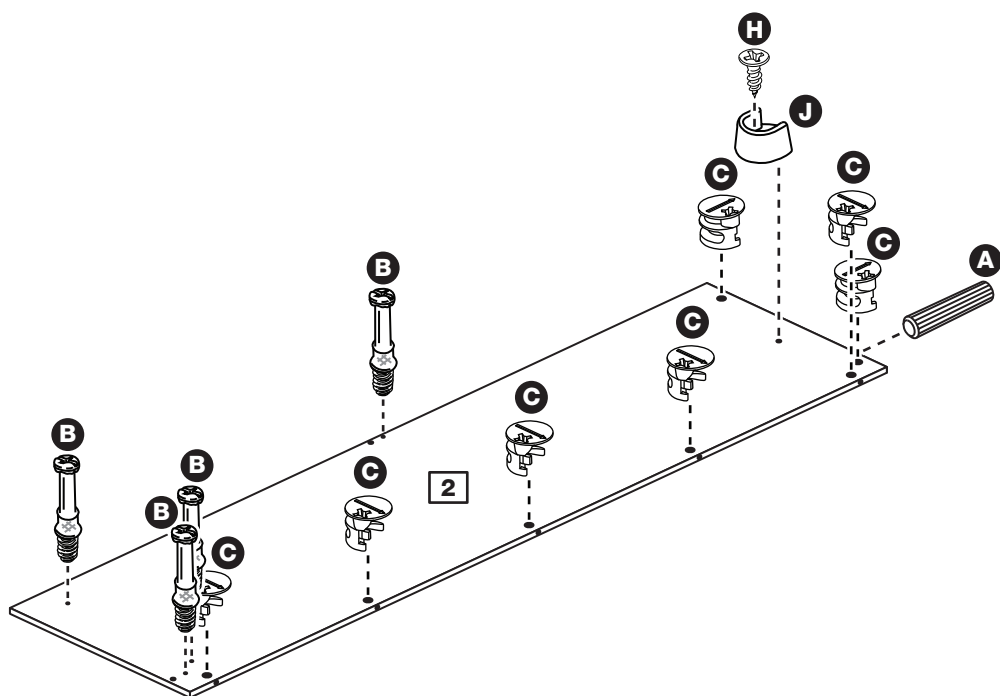
Prepare the right end

Tap a wooden dowel **A** into the right end **2**.

Insert 7 large locking nuts **C** into the right end **2**.

Screw 4 metal dowels **B** into the right end **2**.

Push a rail holder **J** into the right end **2** and then secure with screw **H**.



Assembly Instructions

Step 3

Prepare the 2 pallisters

a: Tap 2 wooden dowels **A** into the top end of 1 of the pallisters **6**.

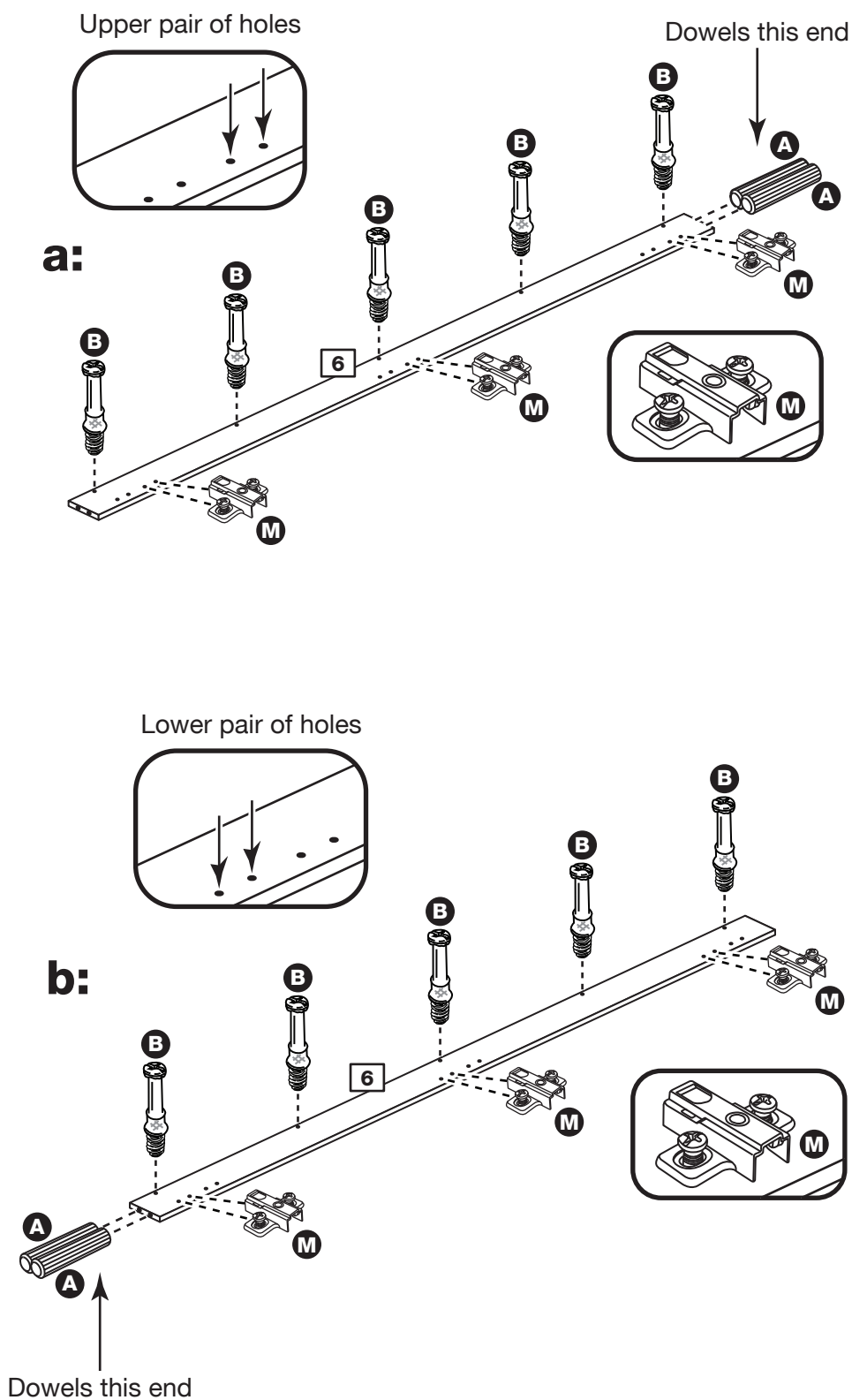
Fit 3 hinge plates **M** to this pallister **6** using the upper pair of holes.

Screw 5 metal dowels **B** into the pallister **6**.

b: Tap 2 wooden dowels **A** into the bottom end of the other pallister **6**.

Fit 3 hinge plates **M** to this pallister **6** using the lower pair of holes.

Screw 5 metal dowels **B** into the pallister **6**.



Assembly Instructions

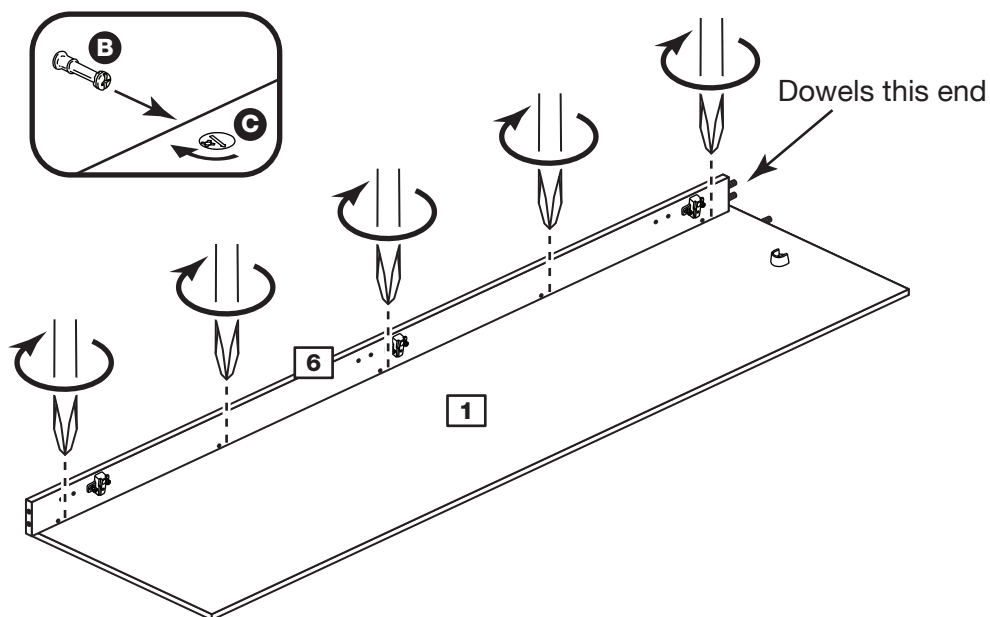
Step 4

Fit a pallister to the left end

Push the correct pallister **6** onto the left end **1**.

Use a screwdriver to tighten the 5 large locking nuts **C** fitted to the left end **1**.

Note: Turn the large locking nuts **C** as far as they will go - more than 1/2 a turn.

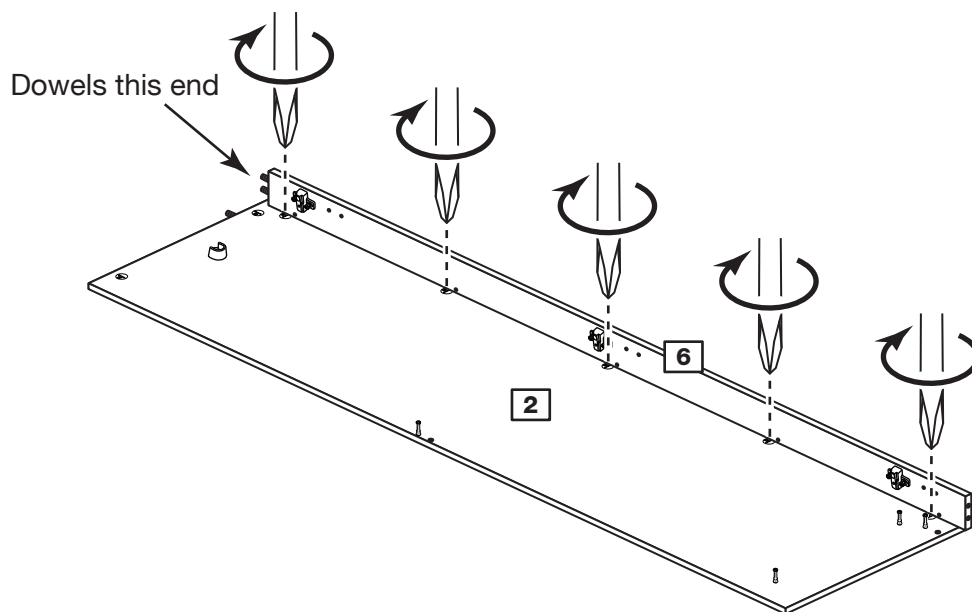


Step 5

Fit a pallister to the right end

Push the correct pallister **6** onto the right end **2**.

Use a screwdriver to tighten the 5 large locking nuts **C** fitted to the right end **2**.

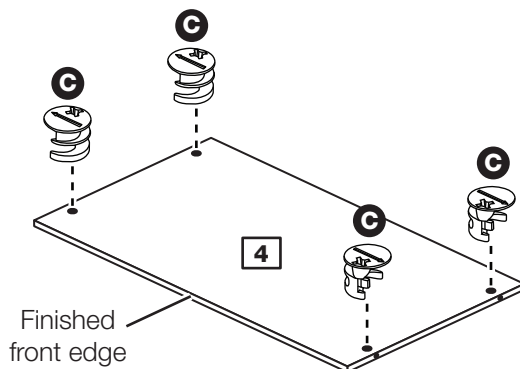


Assembly Instructions

Step 6

Prepare the base

Insert 4 large locking nuts **C** into the base **4**.

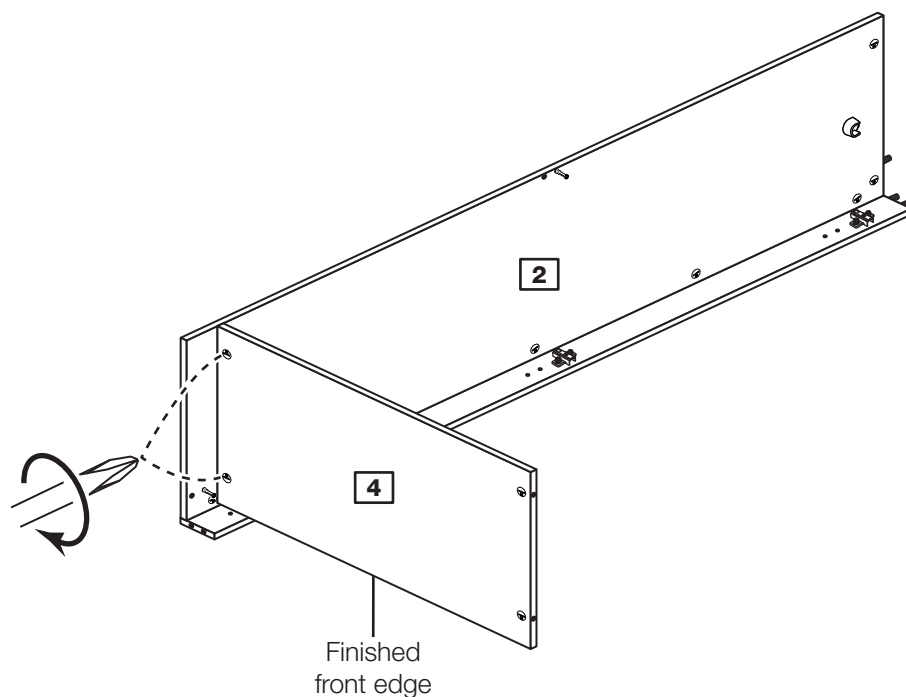


Step 7

Fit the base to the right end

Push the base **4** onto the right end **2**.

Use a screwdriver to tighten the 2 large locking nuts **C** fitted to the base **4**.

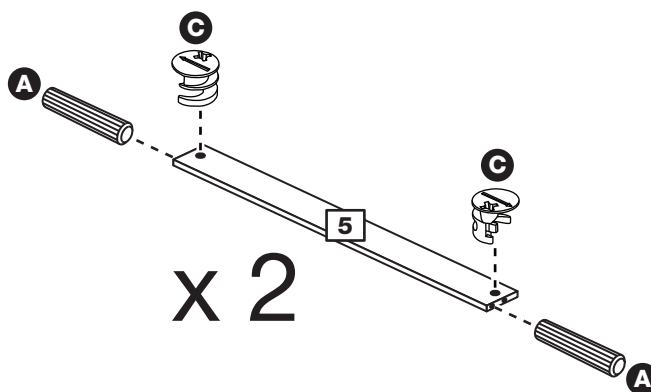


Step 8

Prepare the 2 rails

Insert 2 large locking nuts **C** into each of the 2 rails **5**.

Tap 2 wooden dowels **A** into each of the 2 rails **5**.



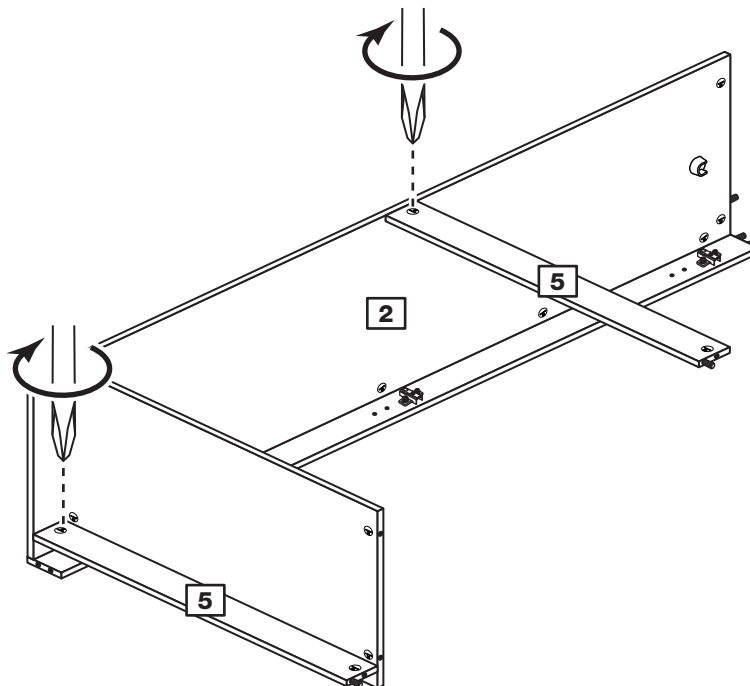
Assembly Instructions

Step 9

Fit the rails to the right end

Push the 2 rails **5** onto the right end **2**.

Use a screwdriver to tighten the large locking nut **C** fitted to each of the rails **5**.

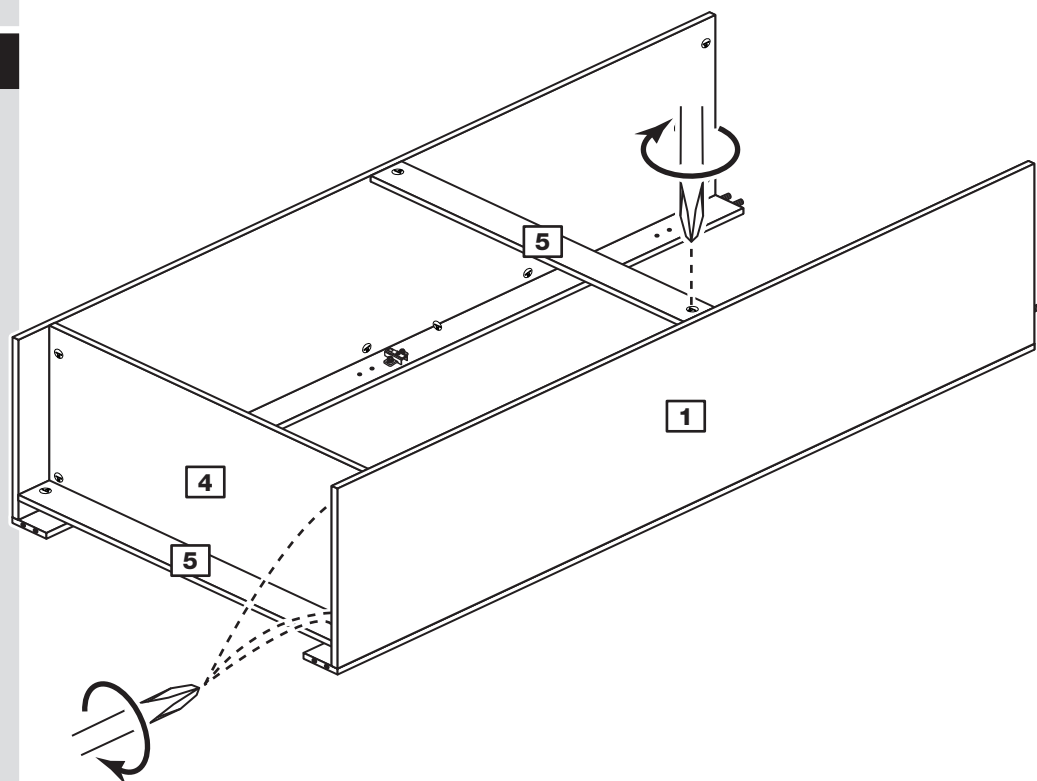


Step 10

Fit the left end

Push the left end **1** onto the assembly.

Use a screwdriver to tighten the 4 large locking nuts **C** fitted to the base **4** and the 2 rails **5**.

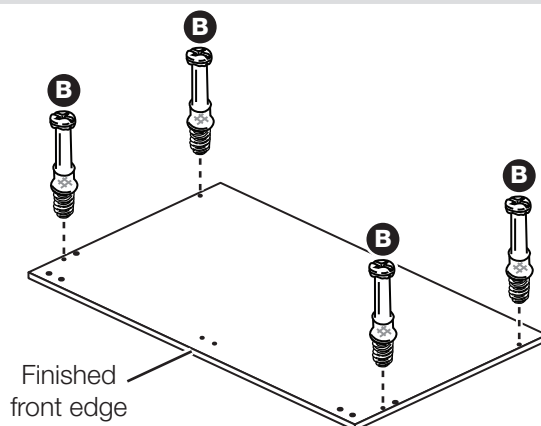


Assembly Instructions

Step 11

Prepare the top

Screw 4 metal dowels **B** into the top **3**.

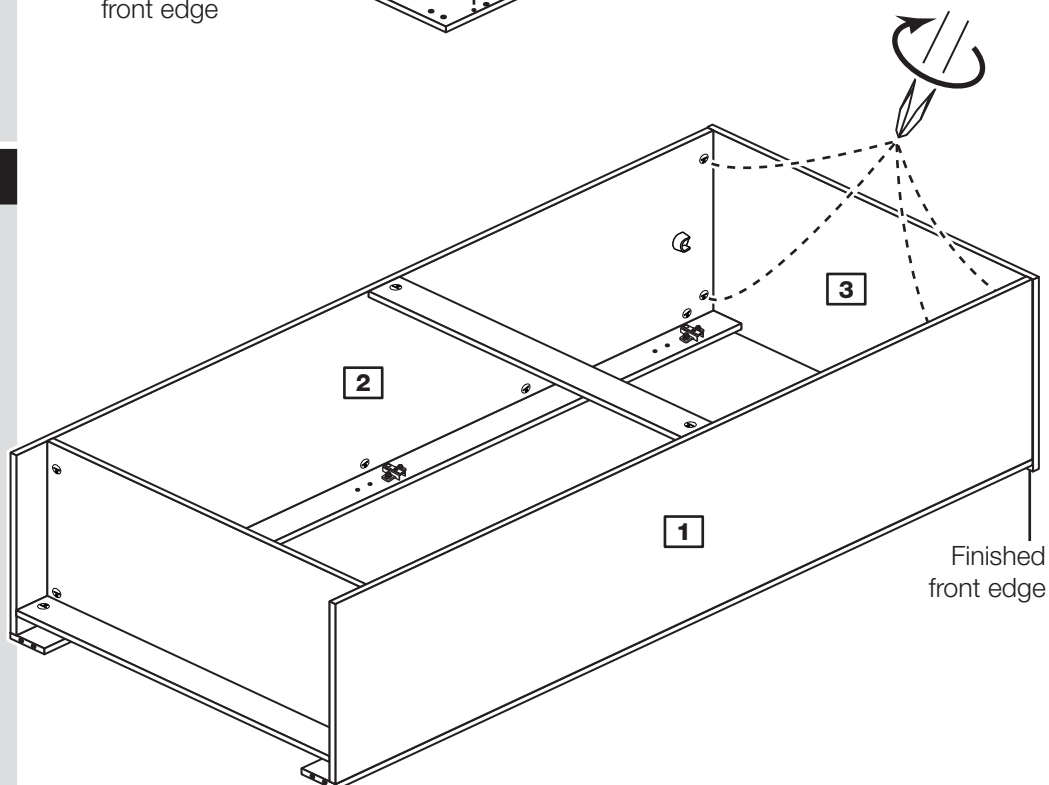


Step 12

Fit the top

Push the top **3** onto the assembly.

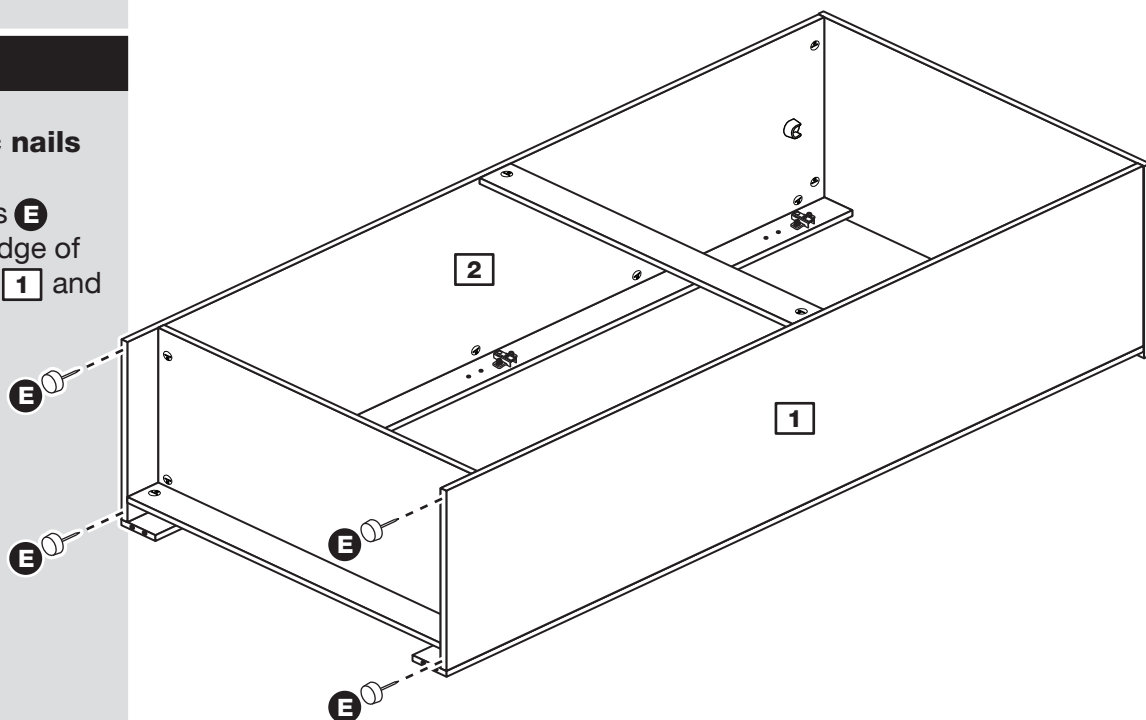
Use a screwdriver to tighten the 4 large locking nuts **C** fitted to the left end **1** and right end **2**.



Step 13

Fit the 4 plastic nails

Tap 2 plastic nails **E** into the bottom edge of each of the sides **1** and **2**.



Assembly Instructions

Step 14

Fit the back

a: Square up the unit by making sure that measurement **x** to **x** equals **y** to **y**.

b: Place the back **9** onto the unit.

Nail **D** around the outside edges of the back **9**.

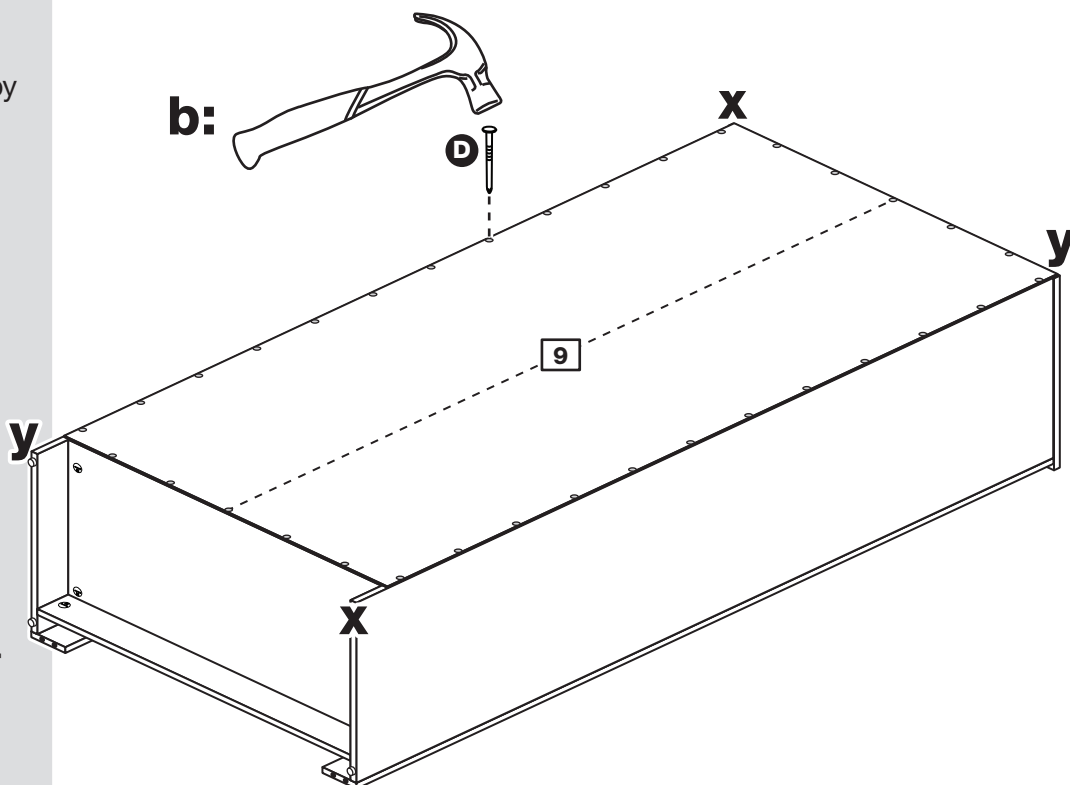
Note: Nails should be spaced about 150mm apart.

Stand the unit up for the next step.



Warning: The unit is heavy. Lift with care.

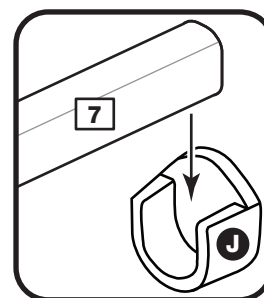
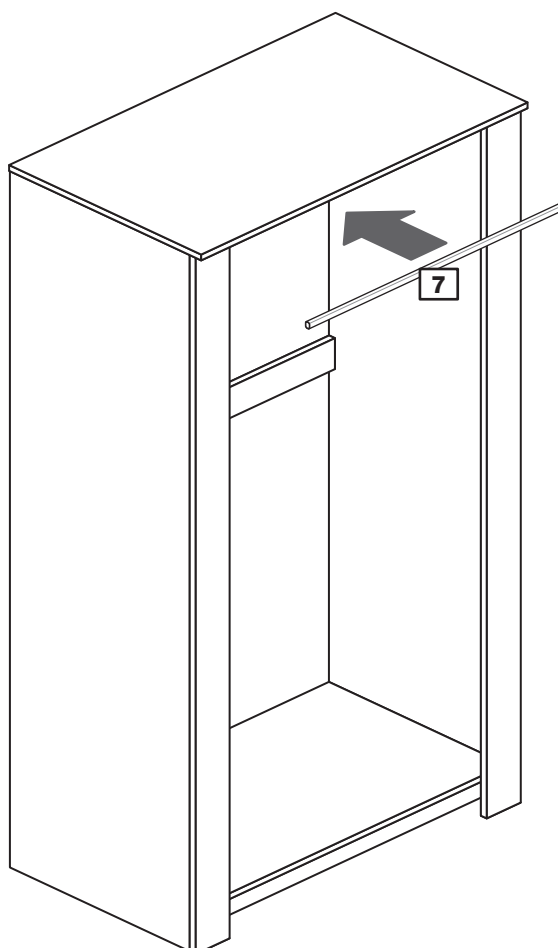
a: The measurement from top corner X to bottom corner X must be equal to the measurement from top corner Y to bottom corner Y



Step 15

Fit the hanging rail

Push the hanging rail **7** into the rail holders **J** fitted to the side panels.



Assembly Instructions

Step 16

Fit the shelf studs

Push the 2 shelf studs **1** up into the holes in the top **3** to act as door buffers.



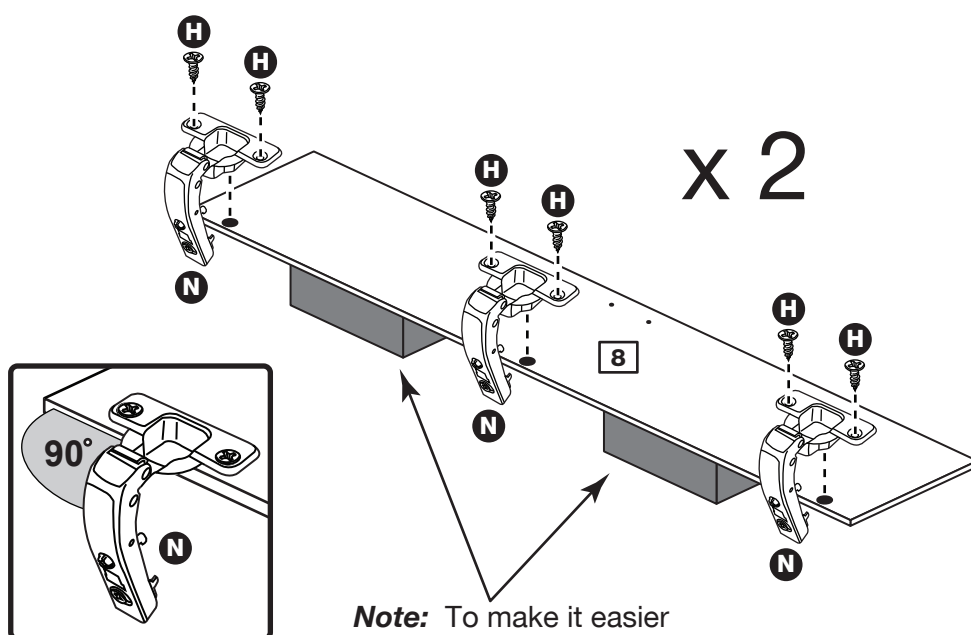
Step 17

Prepare the doors

Push fit 3 hinges **N** into each of the 2 doors **8**.

Secure each hinge **N** with 2 screws **H**.

Note: Before securing with the screws, make sure that the hinges are positioned at 90 degrees with the edge of the door.



Assembly Instructions

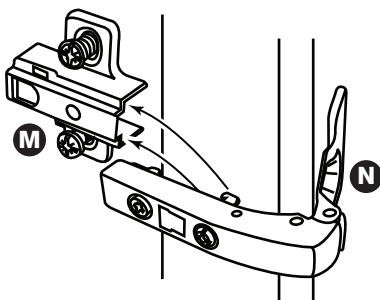
Step 18

Fit the doors

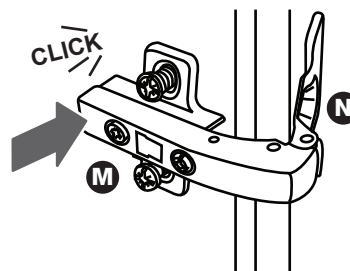
2 people are needed here

The easiest way to attach each door **8** is to fit the top hinge first, then align and fit the other hinges.

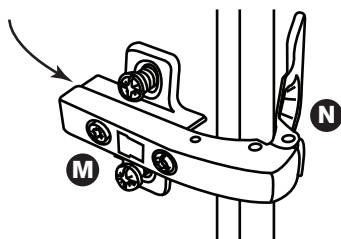
a: Locate the hooks on the Hinge Arm underneath the front of the Hinge Plate.



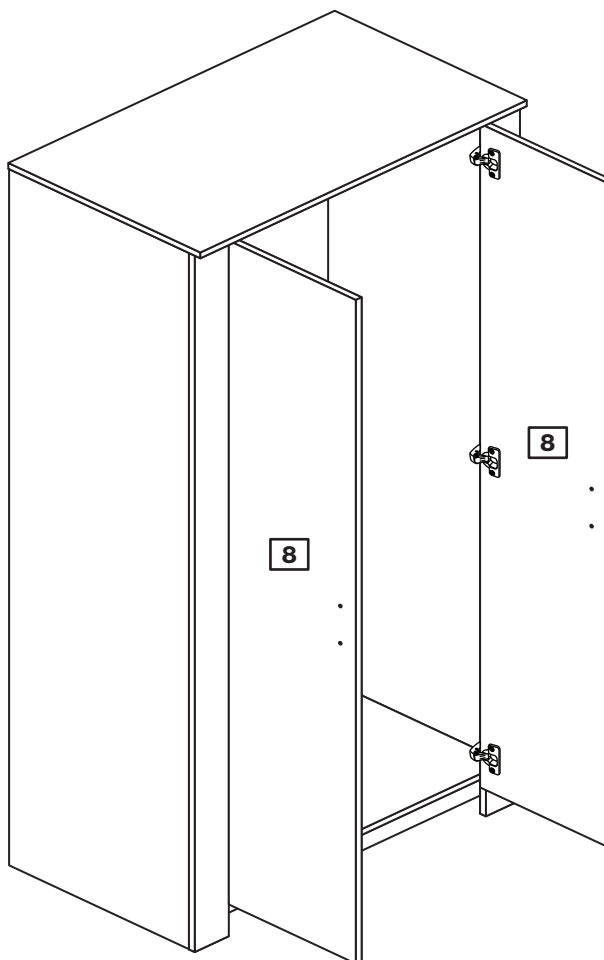
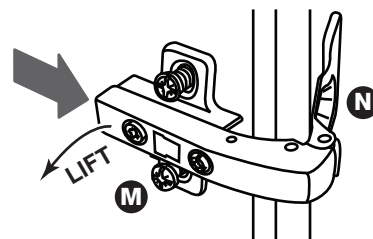
b: Press the front of the Hinge Arm down onto the Hinge Plate until it 'CLICKS' into place.



c: The Hinge Arm must be flat against the Hinge Plate prior to any adjustment.



d: To separate the Hinge Arm and Plate press the button at the end of the Arm, and lift the Hinge Arm off the Plate.



Assembly Instructions

Step 19

Adjust the doors if needed

a: Before adjusting the doors, use a spirit level to check the top (or base) of the unit is level, front-to-back and side-to-side in the 3 positions shown.

Use suitable packing pieces (not supplied) to make the unit level BEFORE making any adjustment to the hinges, as shown.

b: Height adjustment.

Loosen screws A on hinge plates and move door up or down as required.

Retighten screw A.

c: Forward and Back adjustment.

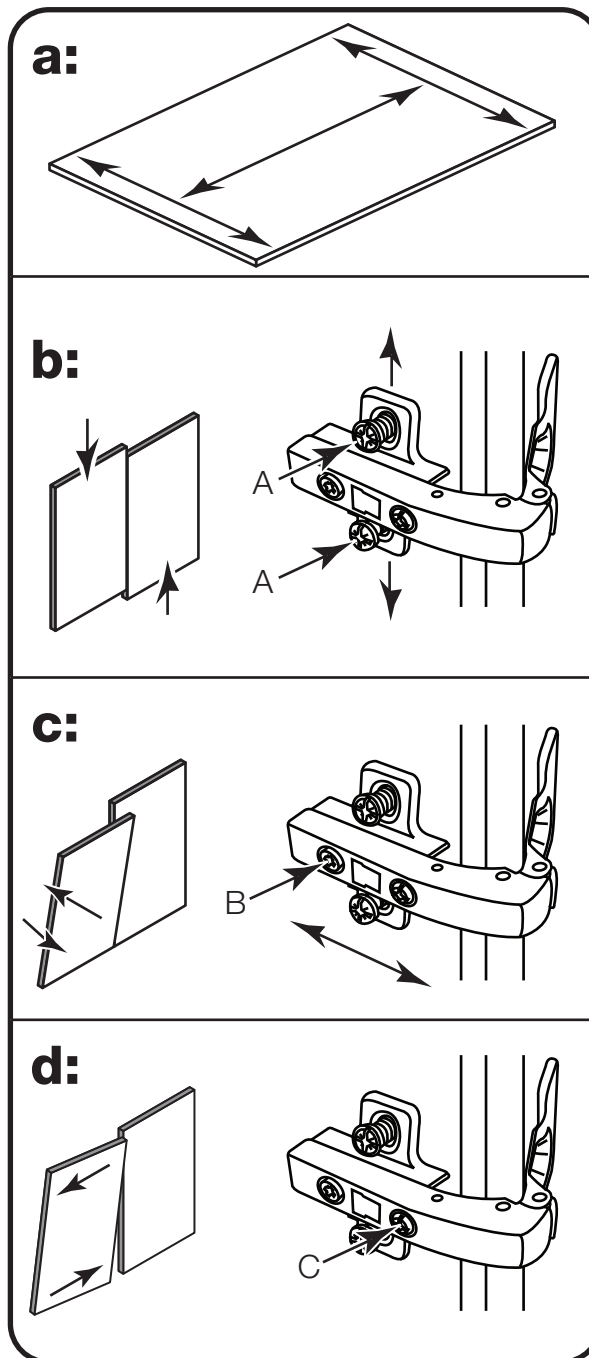
Loosen screw B on hinge plate and move door in or out as required.

Retighten screw B.

d: Sideways adjustment.

To move door 'out' loosen screw C.

To move door 'in' tighten screw C

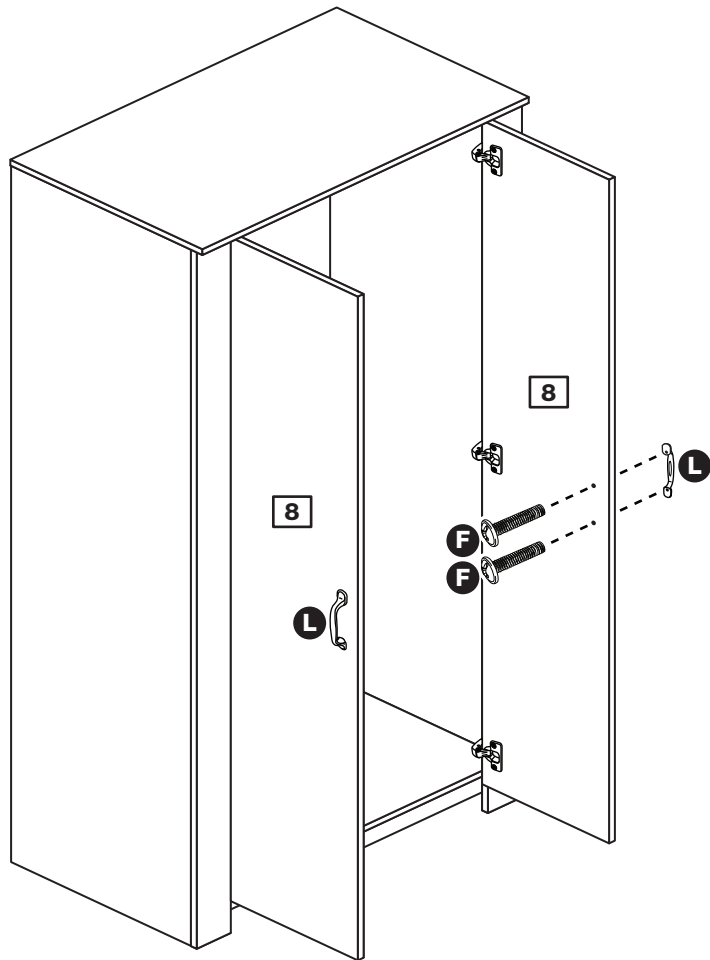


Assembly Instructions

Step 20

Fit the handles

Attach a handle **L** to each door **8** using 2 screws **F**.



Assembly Instructions

Step 21

Fit the bracket

To prevent possible overbalancing, we recommend that this unit is secured to a suitable wall by use of the bracket **K** fitted to the top of the unit.

Fixings are not supplied, as they will need to suit the wall type and the length of screw will depend on the distance from the back of the unit to the wall.

Fix the bracket **K** loosely onto the top of the unit using screw **G** and mark the wall for the wall fixing.

Swivel the bracket **K** away from the wall and drill a hole in the wall using a suitable drill bit and fit your wall fixing.

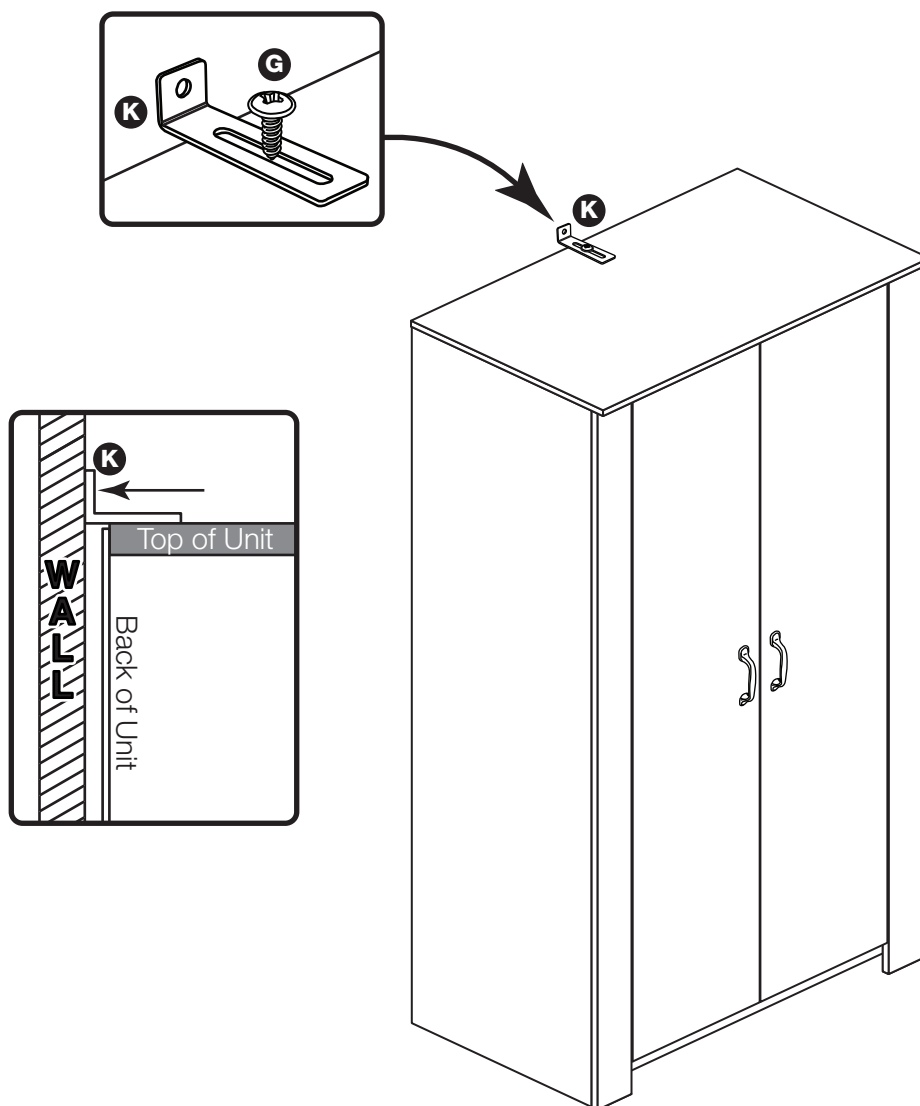
Swivel the bracket **K** back and fix the bracket to the wall, then tighten screw **G**.

Note: Take care when drilling the wall that you do not drill into any pipes, wires etc. If in doubt, consult an expert.



Warning: The unit is heavy. Lift with care.

Assembly is complete



If you need help or have damaged or missing parts, call the Customer Helpline: 08456 400800 and quote the reference numbers on the component pages.

Argos Ltd, 489-499 Avebury Boulevard, Central Milton Keynes, MK9 2NW