

Capella - 4 + 4 Drawer Chest

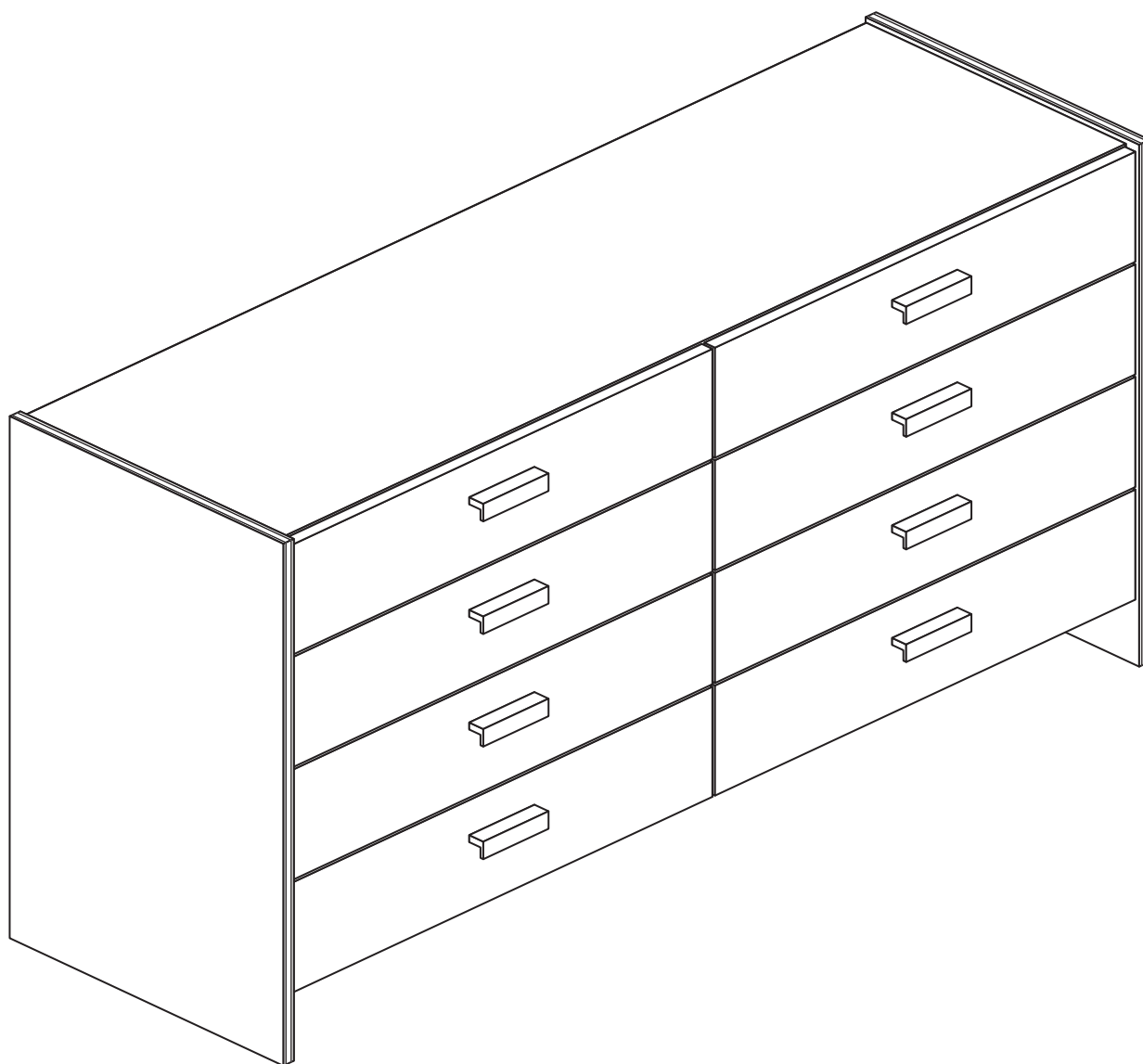
Assembly Instructions - Please keep for future reference

249/6674

268/2433

247/6058

246/7081



Dimensions

Width - 123.5cm

Depth - 39cm

Height - 74.4cm



**MADE IN
BRITAIN**

Important - Please read these instructions fully before starting assembly

If you need help or have damaged or missing parts, call the **Customer Helpline: 08456 400800**



Safety and Care Advice

Important - Please read these instructions fully before starting assembly

- **Warning:** This unit weighs approximately 41kgs. Please lift with care.

- Check you have all the components and tools listed on pages 2 and 3.

- Remove all fittings from the plastic bags and separate them into their groups.

- Keep children and animals away from the work area, small parts could choke if swallowed.

- Parts of the assembly will be easier with 2 people.

- Make sure you have enough space to layout the parts before starting.

- Do not stand or put weight on the product, this could cause damage.

- Assemble the item as close to its final position (in the same room) as possible.

- Assemble on a soft level surface to avoid damaging the unit or your floor (use opened out unit carton).



- We do not recommend the use of power drill/drivers **for inserting screws**, as this could damage the unit. Only use hand screwdrivers.

- **Safety note:** If there is any chance of this unit being pulled over by children etc. it is recommended that the unit is secured to a wall using suitable fixings (not supplied).

- Dispose of all packaging carefully and responsibly.

Care and maintenance

- Only clean using a damp cloth and mild detergent, do not use bleach or abrasive cleaners.

- From time to time check that there are no loose screws on this unit.

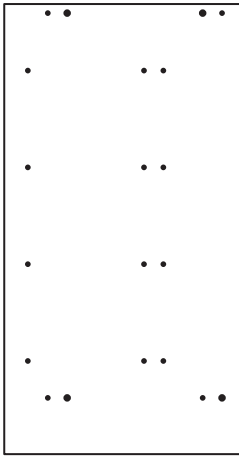
- This product should not be discarded with household waste. Take to your local authority waste disposal centre.

Note: If required the next page can be cut out and used as reference throughout the assembly. Keep this page with these instructions for future reference.

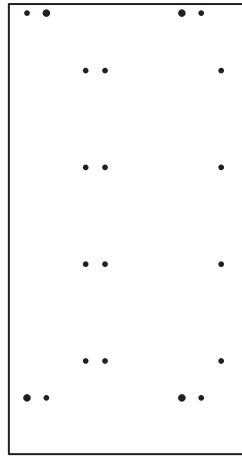
Components - Panels

If you have damaged or missing components, call the **Customer Helpline: 08456 400800** quoting the reference numbers below

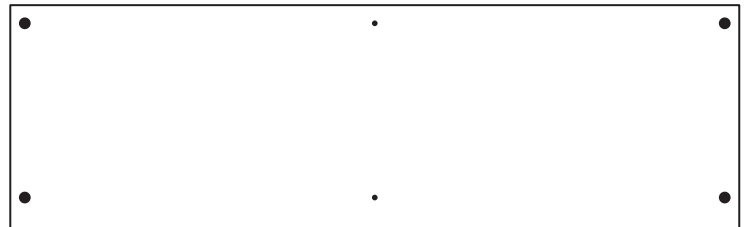
Please check you have all the panels listed below



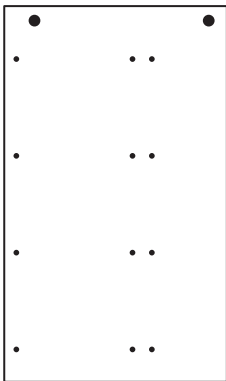
1 Left Side (D1039A)
(744 x 390mm)



2 Right Side (D1040A)
(744 x 390mm)



3 Top (D1042A)
(1205 x 369mm)



4 Upright (D1041A)
(621 x 368mm)



5 Rail (D1043A)
(1205 x 103mm) x 2



6 Left Hand Drawer Front (D1044A)
(599 x 157mm) x 4



7 Right Hand Drawer Front (D1045A)
(599 x 157mm) x 4



8 Drawer Back (W564-124)
(564 x 124mm) x 8



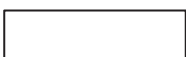
9 Left Drawer Side (W370-124LH)
(370 x 124mm) x 8



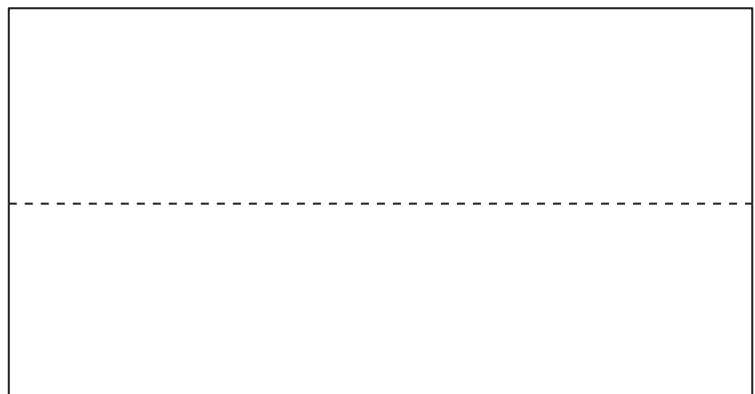
10 Right Drawer Side (W370-124RH)
(370 x 124mm) x 8



11 Drawer Base (T575-367)
(575 x 367mm) x 8



12 Support (D1046A)
(300 x 85mm)



13 Back (X832A)
(1229 x 646mm)


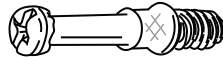
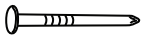


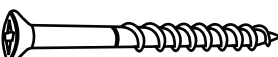

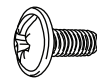


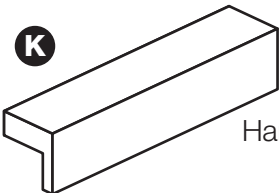





Components - Fittings

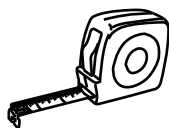
If you have damaged or missing components, call the **Customer Helpline: 08456 400800** quoting the reference numbers below

Please check you have all the fittings listed below

Note: The quantities below are the correct amount to complete the assembly. In some cases more fittings may be supplied than are required.

<p>A </p> <p>Wooden dowel (F22) x 8</p>	<p>B </p> <p>Metal dowel (F901) x 26</p>	<p>C </p> <p>Nail (F51) x 22</p>
<p>D </p> <p>Large locking nut (F900) x 10</p>	<p>E </p> <p>Small locking nut (F3) x 16</p>	<p>F </p> <p>45mm Screw (F65) x 3</p>
<p>G </p> <p>25mm Screw (F50) x 16</p>	<p>H </p> <p>9mm Screw (F74) x 16</p>	<p>I </p> <p>9mm Screw (F73) x 32</p>
<p>J </p> <p>Drawer runner (F1004) x 16</p>		<p>K </p> <p>Handle (F930) x 8</p>
<p>L </p> <p>Knock-in Peg (F171GY) x 32</p>	<p>M </p> <p>Wedgefix (F639) x 32</p>	<p>N </p> <p>Plastic Nail (F91) x 5</p>

Tools required



Rule



Cross-head screwdriver



Scissors

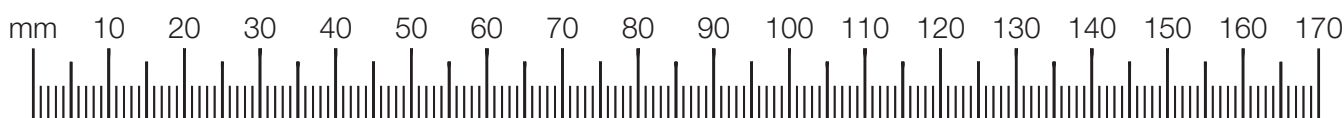


Hammer



Eye protection
(when using a hammer or drill)

Ruler - Use this ruler to help correctly identify the screws



Assembly Instructions

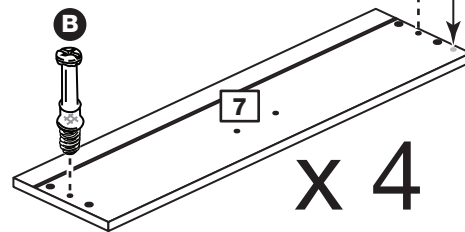
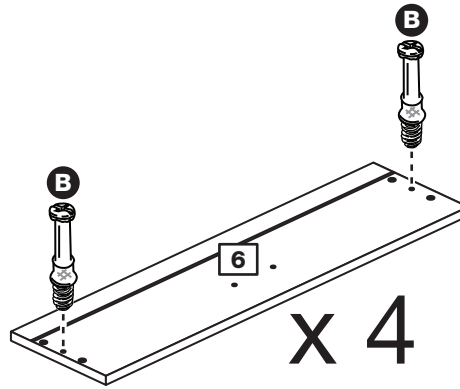
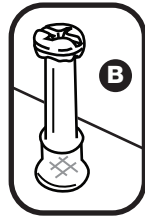
If you have damaged or missing components, call the
Customer Helpline: 08456 400800 quoting the reference
numbers below

Step 1

Prepare the 4 left hand drawer fronts and 4 right hand drawer fronts

Screw 2 metal dowels **B** into the holes shown on the back of each drawer front **6** and **7**.

Note: Tighten the metal dowels up fully against the panels.



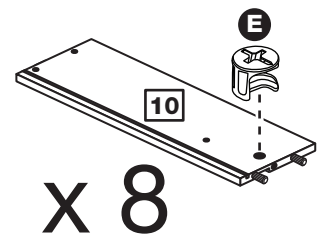
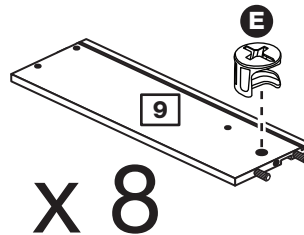
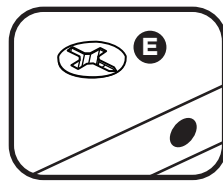
Note: The right drawer front has a shallow identification mark.

Step 2

Prepare the drawer sides

Insert a small locking nut **E** into the hole shown on the left drawer side **9** and right drawer side **10**.

Note: The arrow on the locking nut **must** point towards the hole in the edge of the panel.



Note: Due to the manufacturing process, the holes for the locking nut can be on either surface of the drawer sides.

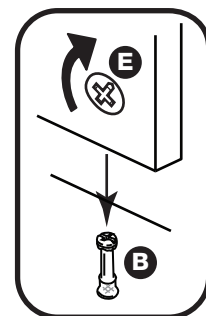
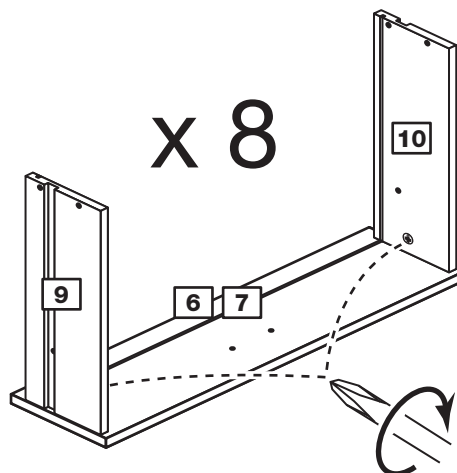
Step 3

Attach the drawer sides to the drawer fronts

Push the left drawer sides **9** and right drawer sides **10** onto the back of the drawer fronts **6** and **7**.

Turn the small locking nuts **E** on the left drawer side **9** and right drawer side **10**.

Note: Turn the locking nuts **E** clockwise to secure panels - more than 1/2 a turn.

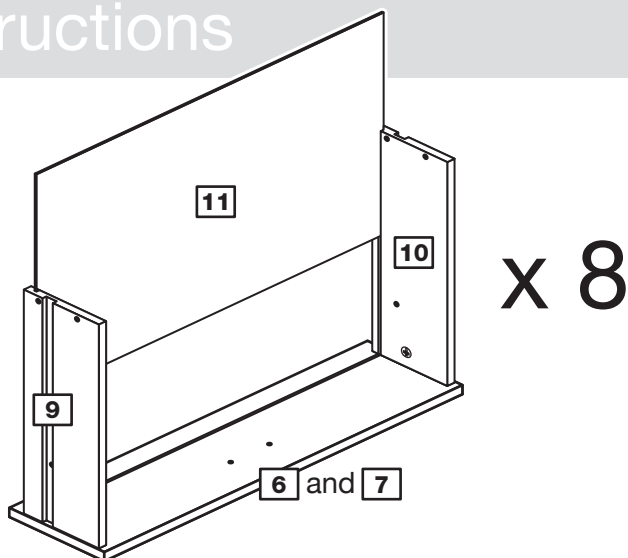


Assembly Instructions

Step 4

Fit the drawer base

Slide the drawer base **11** down the grooves in the drawer sides **9** and **10** and down into the groove in the drawer fronts **6** and **7**.



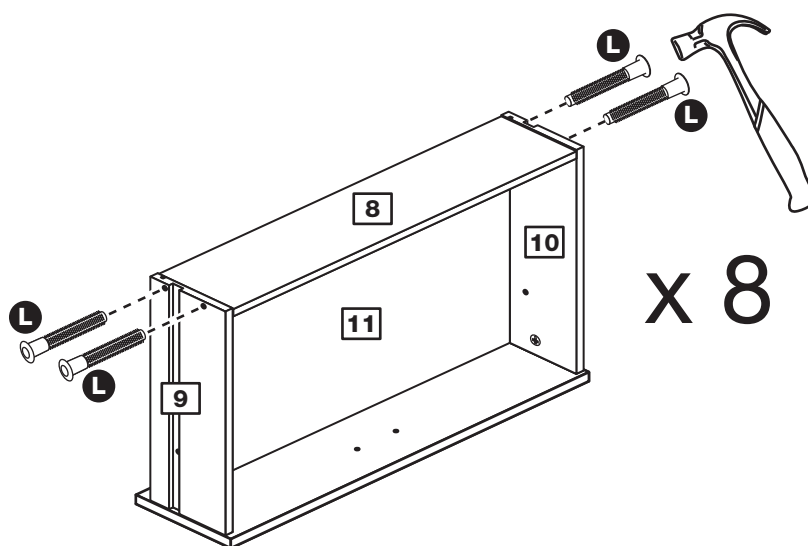
Step 5

Fit the drawer back

Fit the drawer back **8** between the drawer sides **9** and **10**.

Make sure that the drawer base **11** fits into the groove in the drawer back **8**.

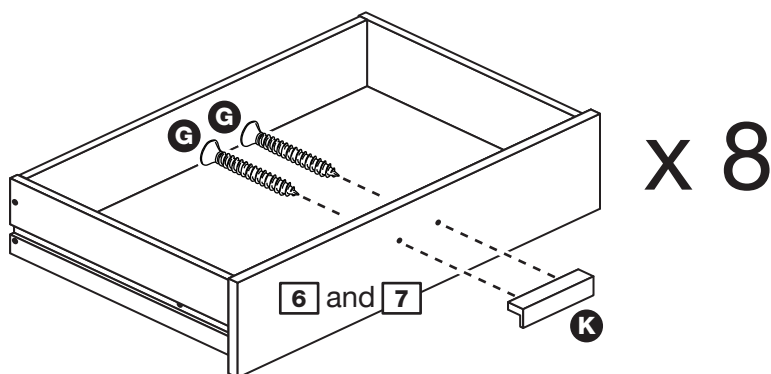
Hold the drawer back **8** in position and tap the knock-in pegs **L** through the holes in the drawer sides **9** and **10**.



Step 6

Attach the handle

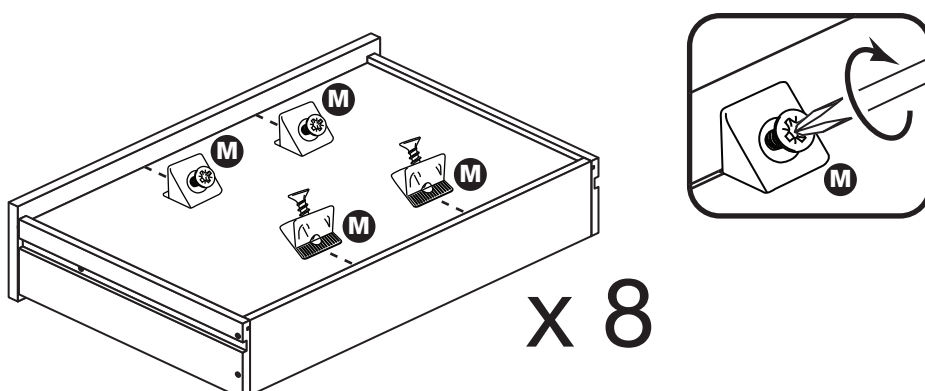
Attach a handle **K** to each drawer front **6** and **7** using 2 screws **G**.



Step 7

Fit the wedgifixes

Turn the large drawer assemblies over and slide 4 wedgifixes **M** into the front and back grooves, as shown, and tighten up the screws.

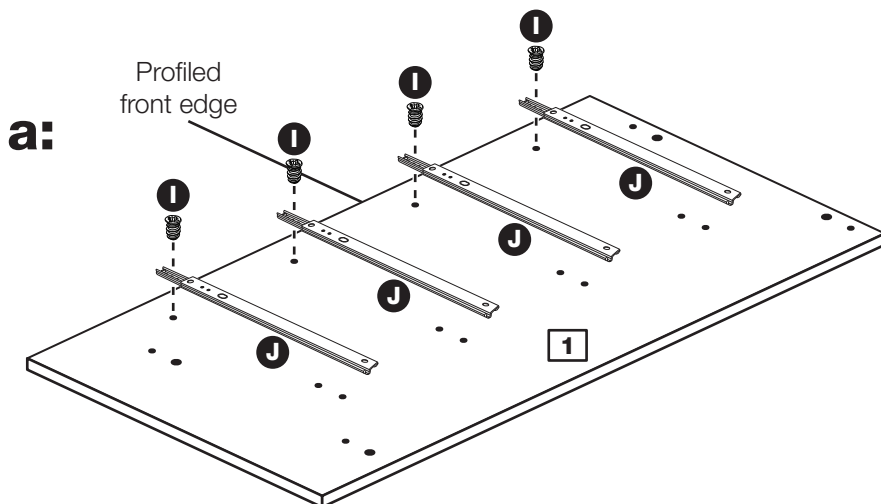
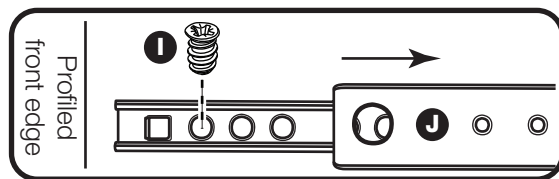


Assembly Instructions

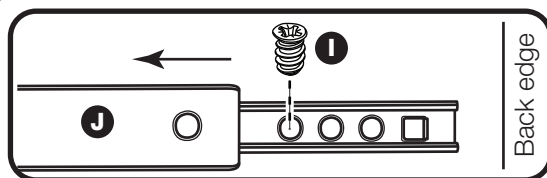
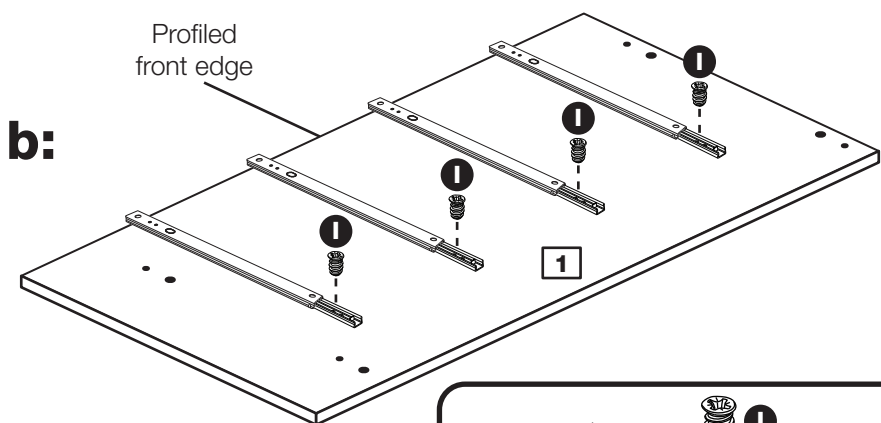
Step 8

Prepare the left side

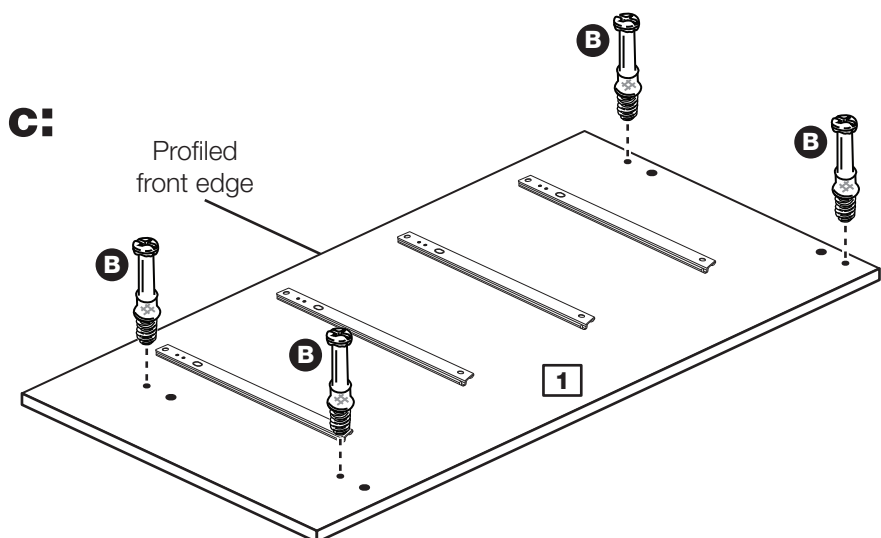
a: Place 4 runners **J** on the left side **1**. Slide back the top of the runner and use the 1st hole from the front to fit the 1st screw **I**.



b: Slide the runner back the other way and use the 3rd hole from the back to fit the 2nd screw **I**.



c: Screw 4 metal dowels **B** into the left side **1**.

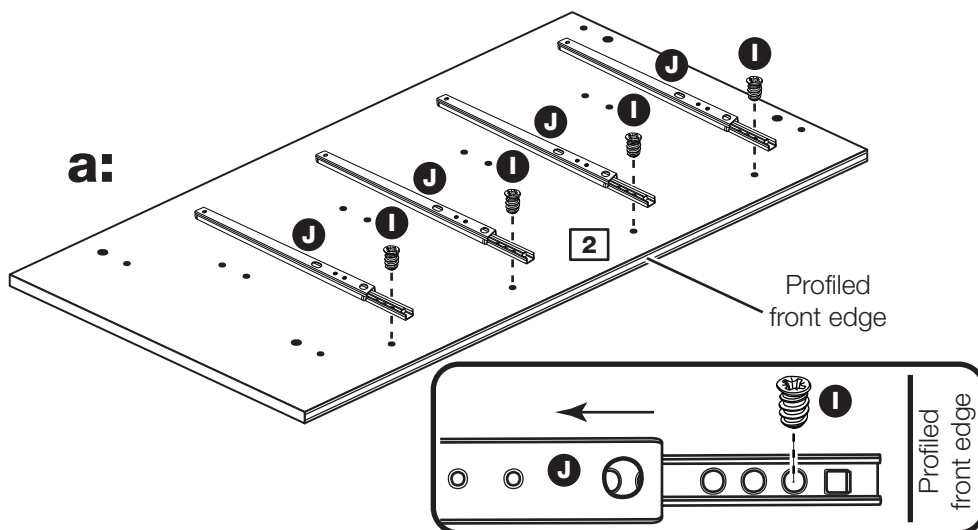


Assembly Instructions

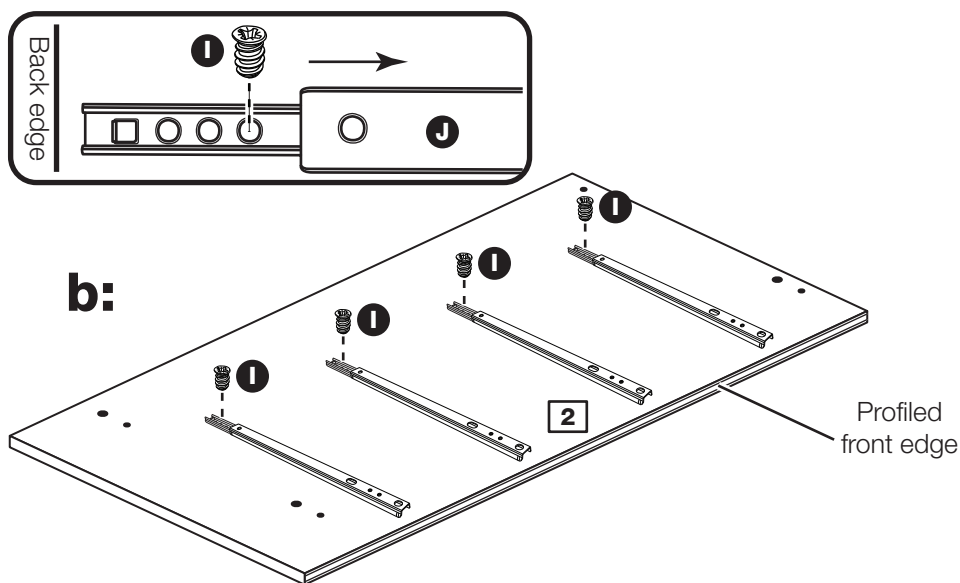
Step 9

Prepare the right side

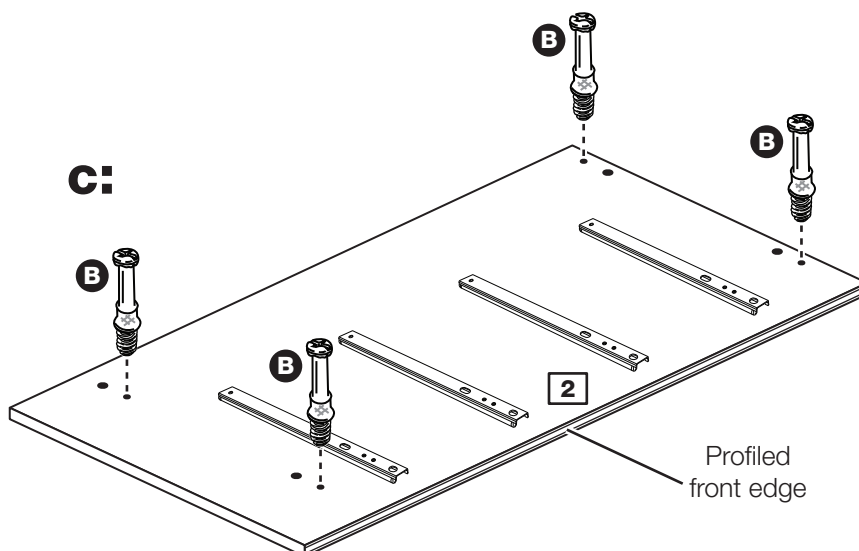
a: Place 4 runners **J** on the right side **2**. Slide back the top of the runner and use the 1st hole from the front to fit the 1st screw **I**.



b: Slide the runner back the other way and use the 3rd hole from the back to fit the 2nd screw **I**.



c: Screw 4 metal dowels **B** into the right side **2**.



Assembly Instructions

Step 10

Prepare the upright

a: Place 4 runners **J** on the upright **4**. Slide back the top of the runner and use the 1st hole from the front to fit the 1st screw **I**.

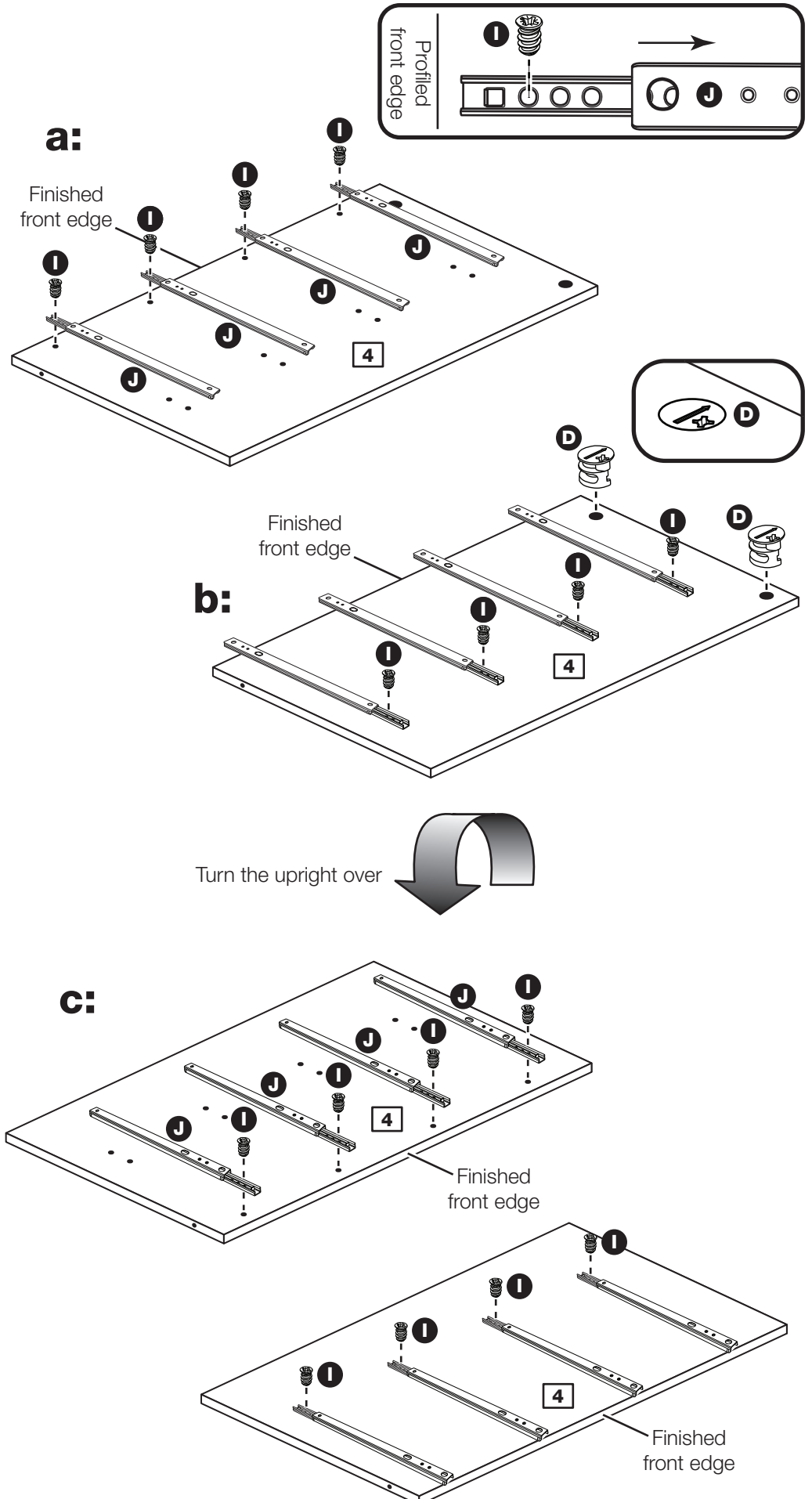
b: Slide the runner back the other way and fit the 2nd screw **I** into the corresponding hole in the upright **4**.

Insert 2 large locking nuts **D** as shown.

Note: Arrow on locking nut **must** point towards hole in edge of panel.

Turn the upright over.

c: Repeat the instructions above to fit 4 runners **J** onto the other side of the upright **4** using screws **I**.



Assembly Instructions

Step 11

Prepare the top

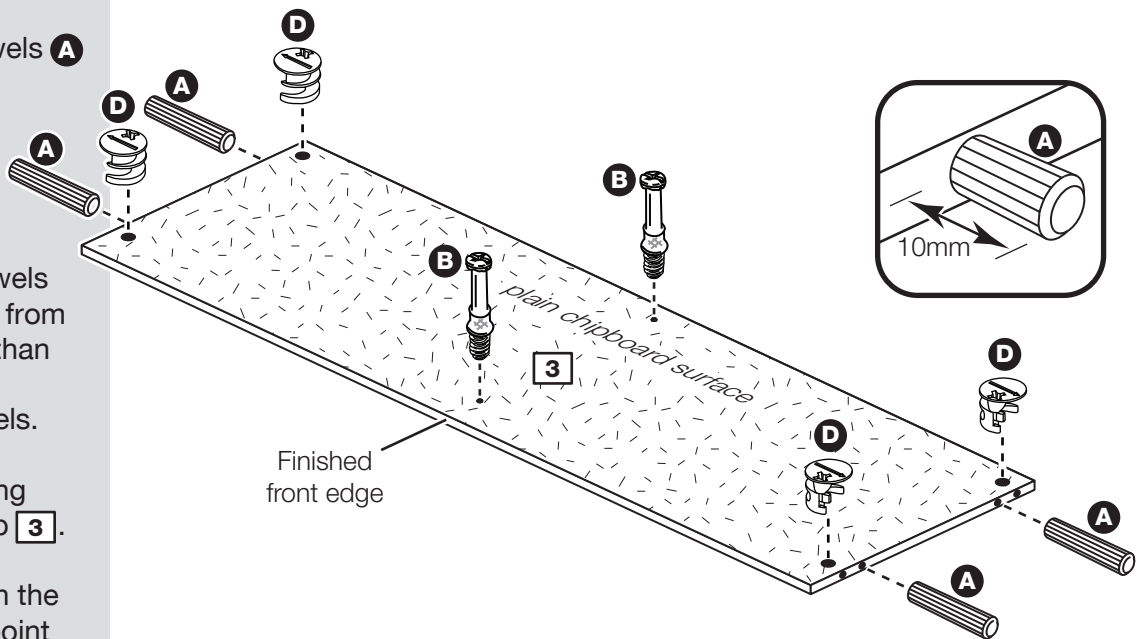
Tap 4 wooden dowels **A** into the top **3** as shown.

Note: Wooden dowels **must not** stick out from the edge by more than 10mm or they may damage other panels.

Insert 4 large locking nuts **D** into the top **3**.

Note: The arrow on the locking nut **must** point towards the hole in the edge of the panel.

Screw 2 metal dowels **B** into the top **3**.



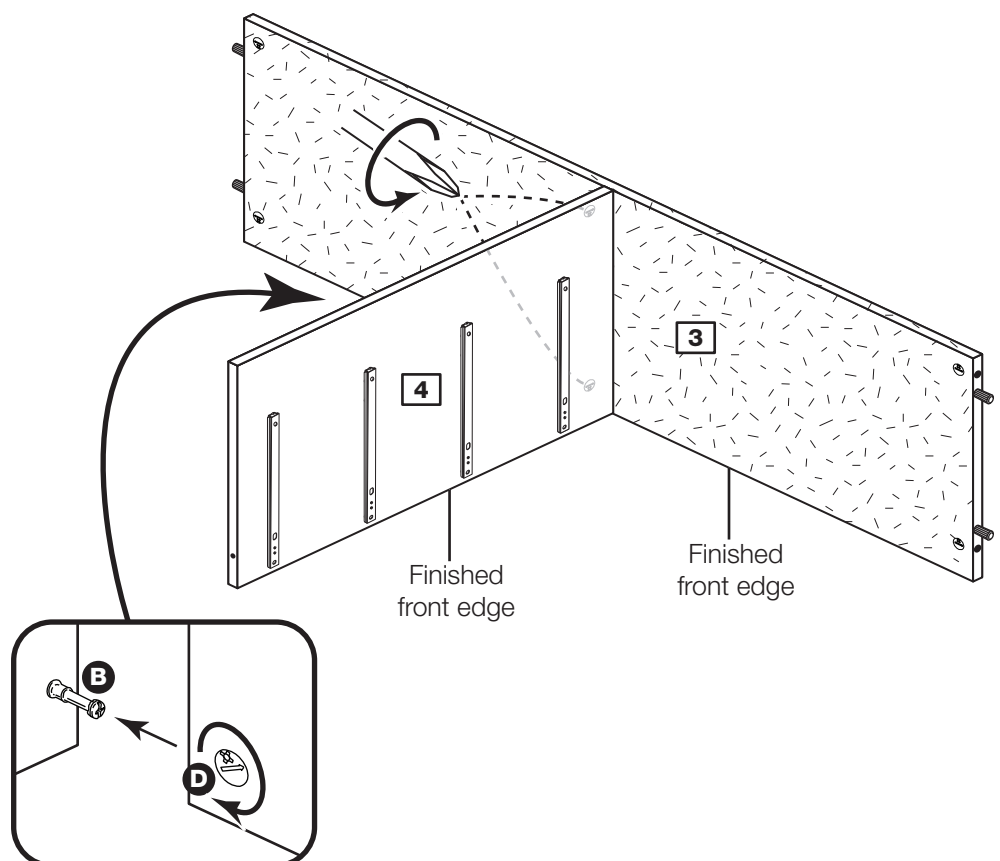
Step 12

Join the upright and top

Push the top **3** onto the upright **4** as shown.

Use a screwdriver to tighten the 2 large locking nuts **D** fitted to the upright **4**.

Note: Turn the large locking nuts **D** as far as they will go - more than 1/2 a turn.



Assembly Instructions

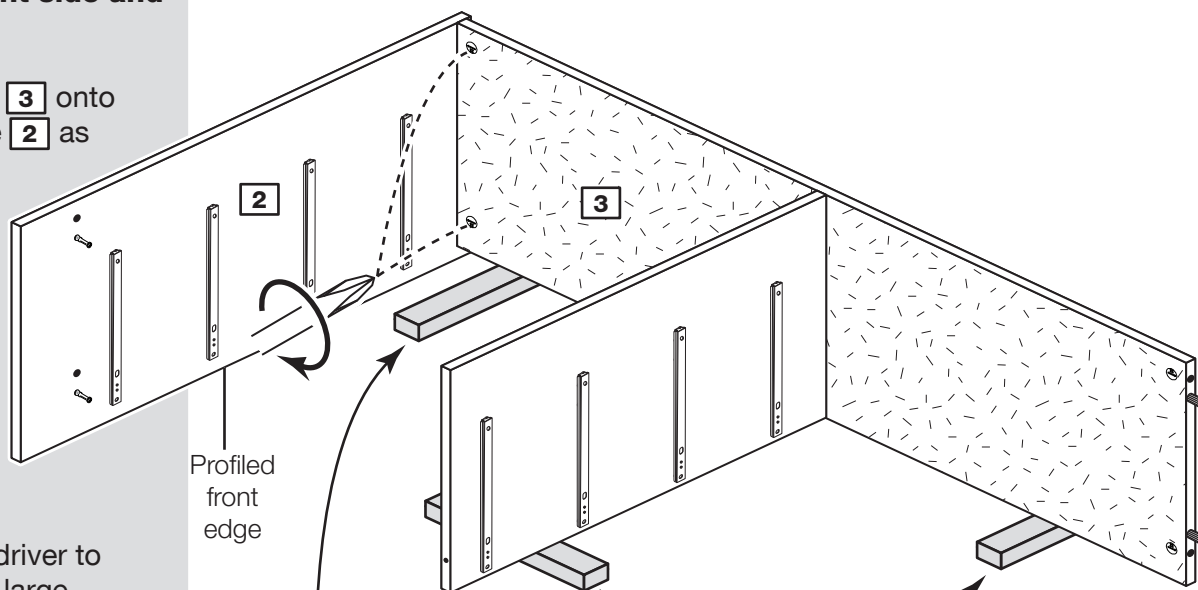
Step 13

Join the right side and top

Push the top **3** onto the right side **2** as shown.

Use a screwdriver to tighten the 2 large locking nuts **D** fitted to the top **3**.

Note: Turn the large locking nuts **D** as far as they will go - more than 1/2 a turn.



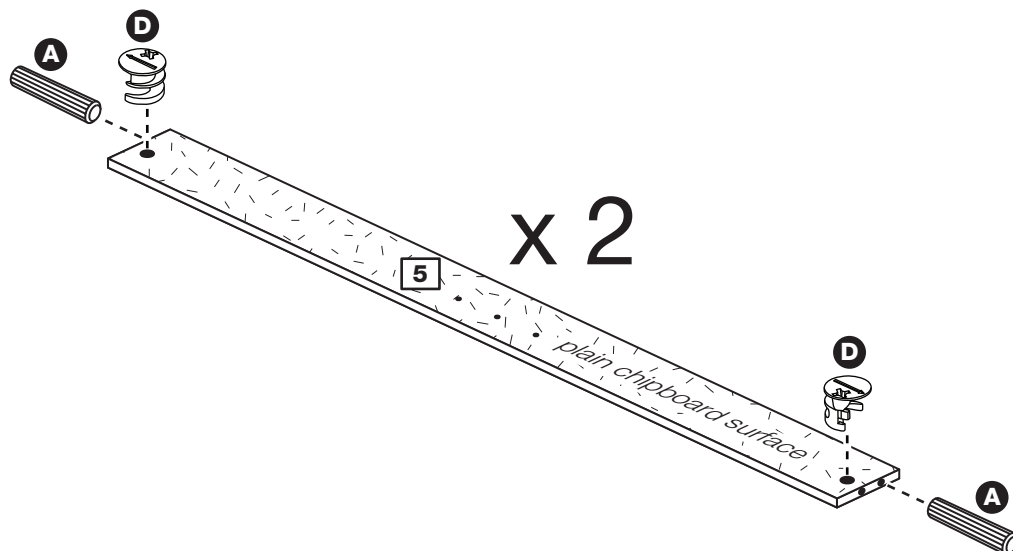
Note: To make it easier to fit the side panels, place polystyrene blocks from the packaging underneath the upright and top panels to raise the assembly.

Step 14

Prepare the 2 rails

Tap 2 wooden dowels **A** into each rail **5**.

Insert 2 large locking nuts **D** into each rail **5**.

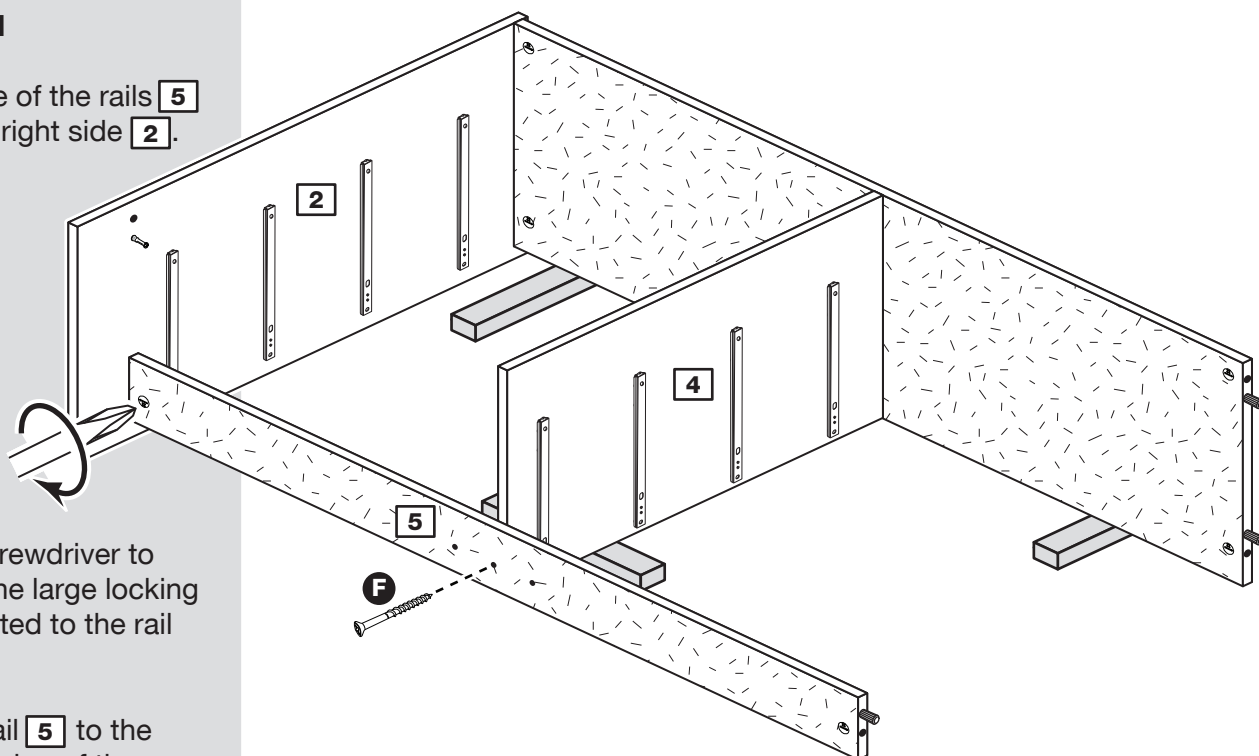


Assembly Instructions

Step 15

Fit a rail

Push one of the rails **5** onto the right side **2**.



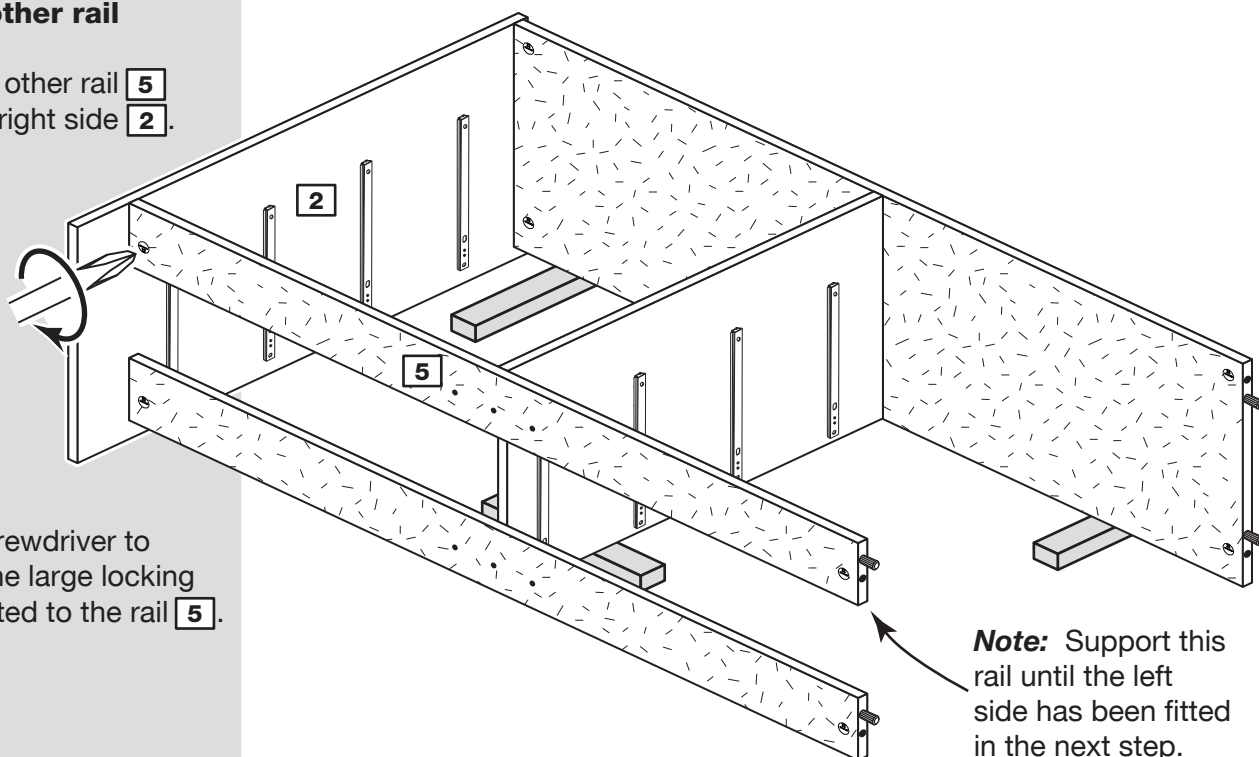
Use a screwdriver to tighten the large locking nut **D** fitted to the rail **5**.

Fix the rail **5** to the bottom edge of the upright **4** using screw **F**.

Step 16

Fit the other rail

Push the other rail **5** onto the right side **2**.



Use a screwdriver to tighten the large locking nut **D** fitted to the rail **5**.

Note: Support this rail until the left side has been fitted in the next step.

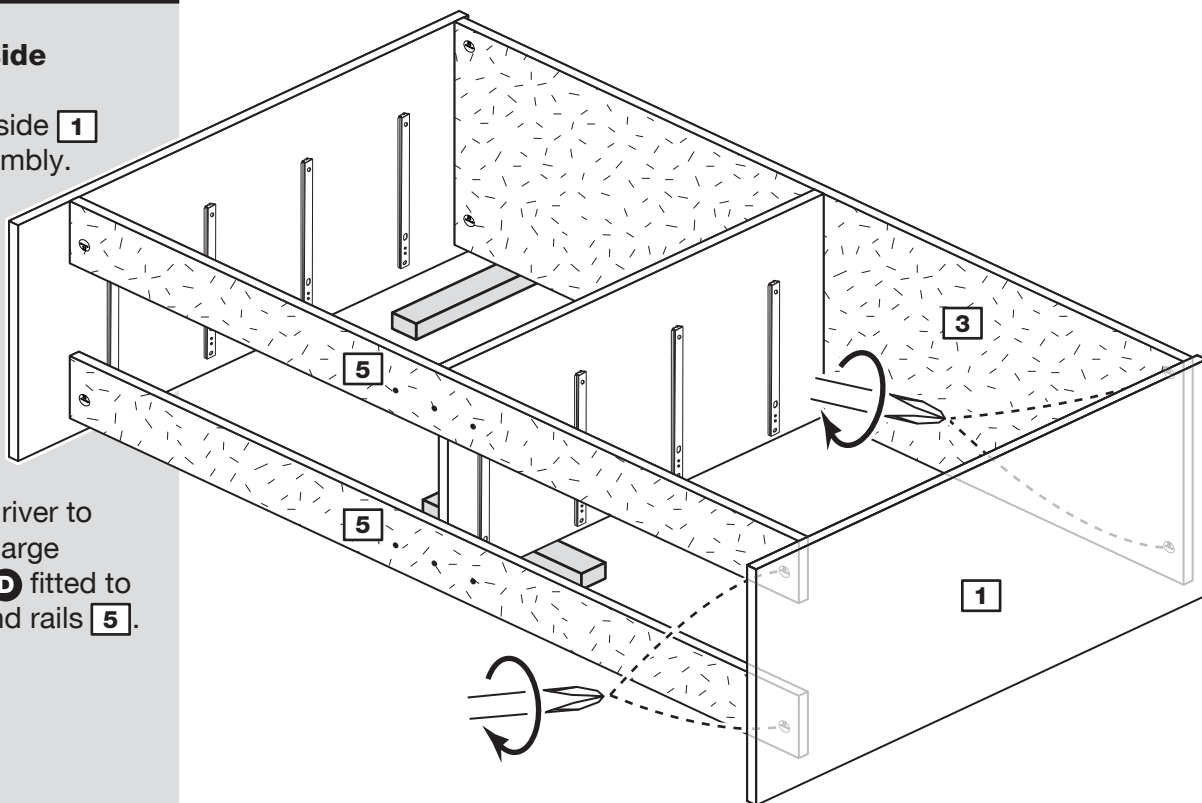
Assembly Instructions

Step 17

Fit the left side

Push the left side **1** onto the assembly.

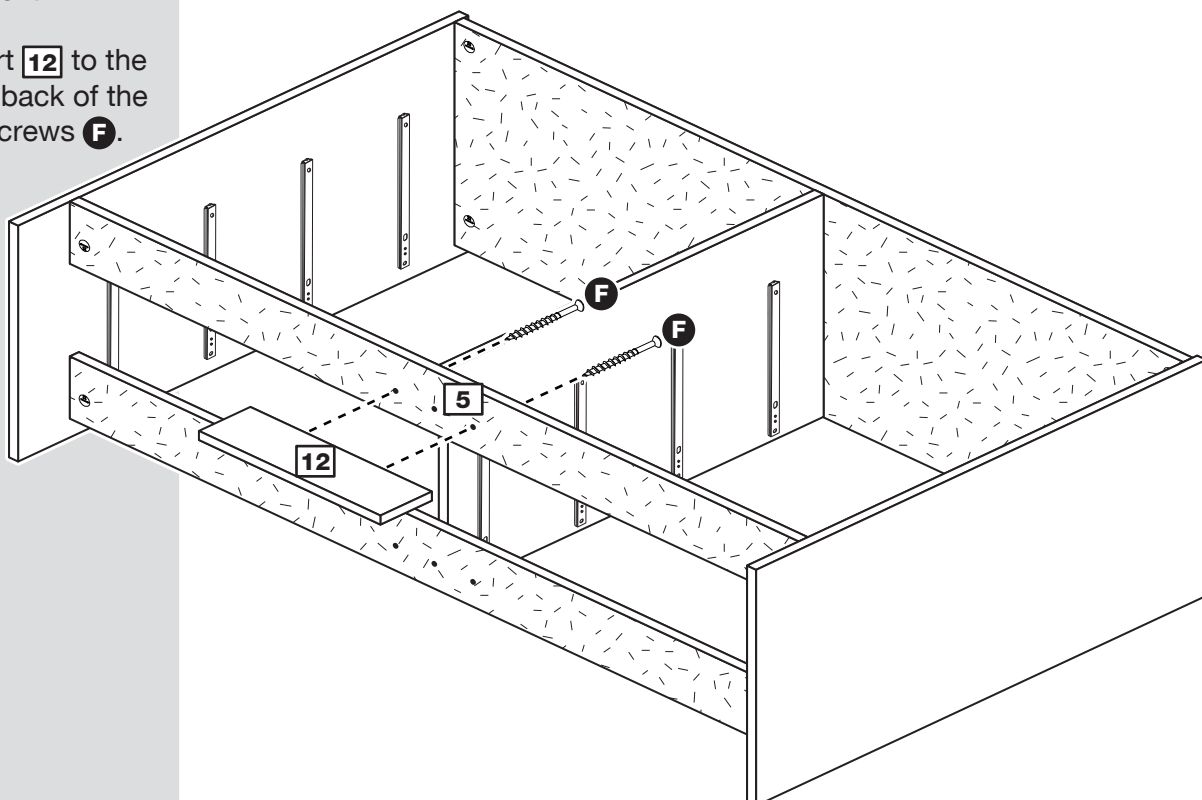
Use a screwdriver to tighten the 4 large locking nuts **D** fitted to the top **3** and rails **5**.



Step 18

Fit the support

Fit the support **12** to the rail **5** at the back of the unit using 2 screws **F**.



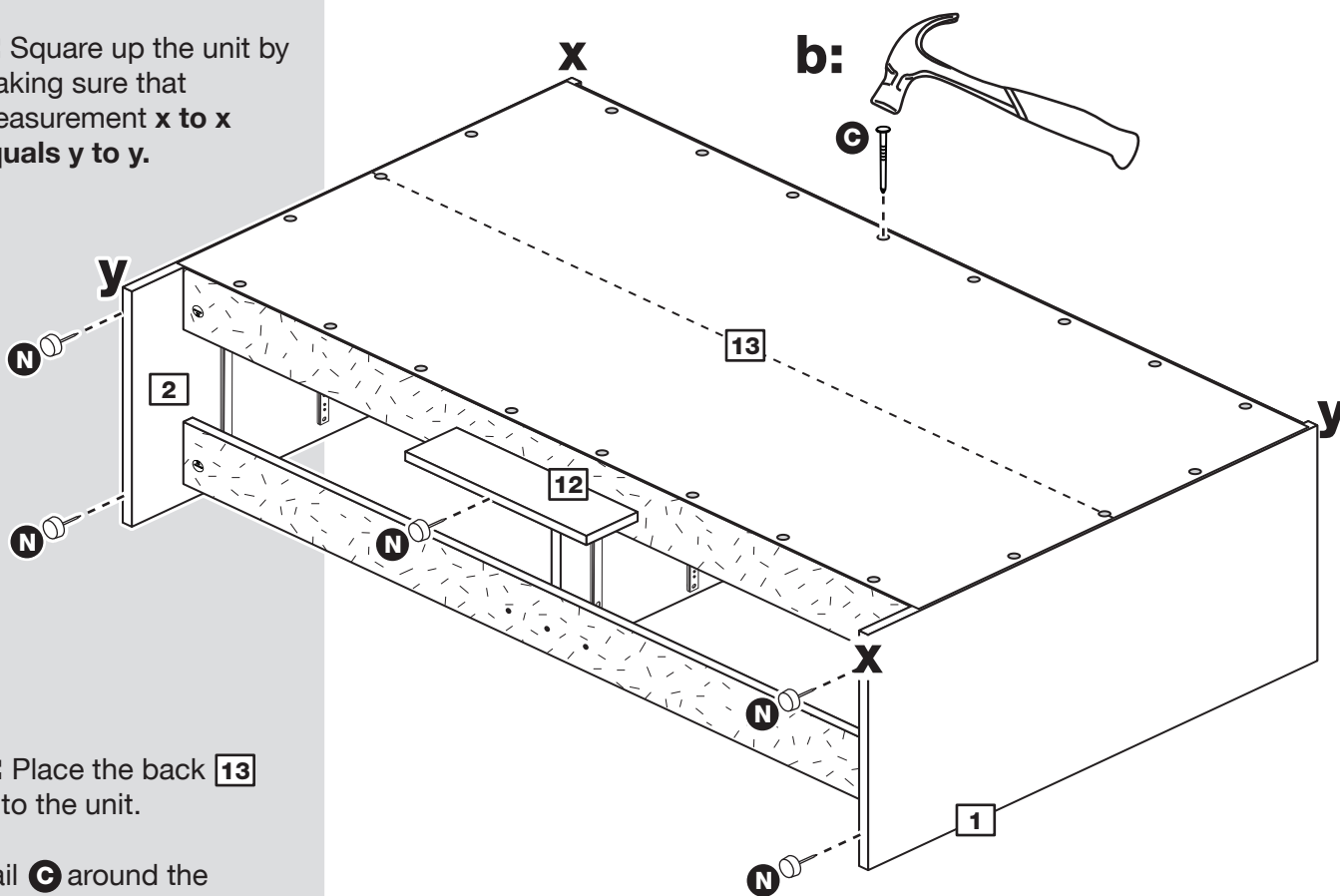
Assembly Instructions

Step 19

Fit the back

a: Square up the unit by making sure that measurement **x** to **x** equals **y** to **y**.

a: The measurement from top corner X to bottom corner X must be equal to the measurement from top corner Y to bottom corner Y



b: Place the back **13** onto the unit.

Nail **G** around the outside edges of the back **13**.

Note: Nails should be spaced about 150mm apart.

Fit the 5 plastic nails

Tap 2 plastic nails **N** into the bottom edge of each of the sides **1** and **2** and 1 into the support **12**.

Stand the unit up for the next step.



Warning: The unit is heavy. Lift with care.

Assembly Instructions

Step 20

Fit the drawers

Starting with the bottom drawer, slide both the runners **J** forward and locate the drawer sides **9** and **10** between them, lining up the holes in the drawer wrap with the 2nd 'threaded' holes in the runners **J**.

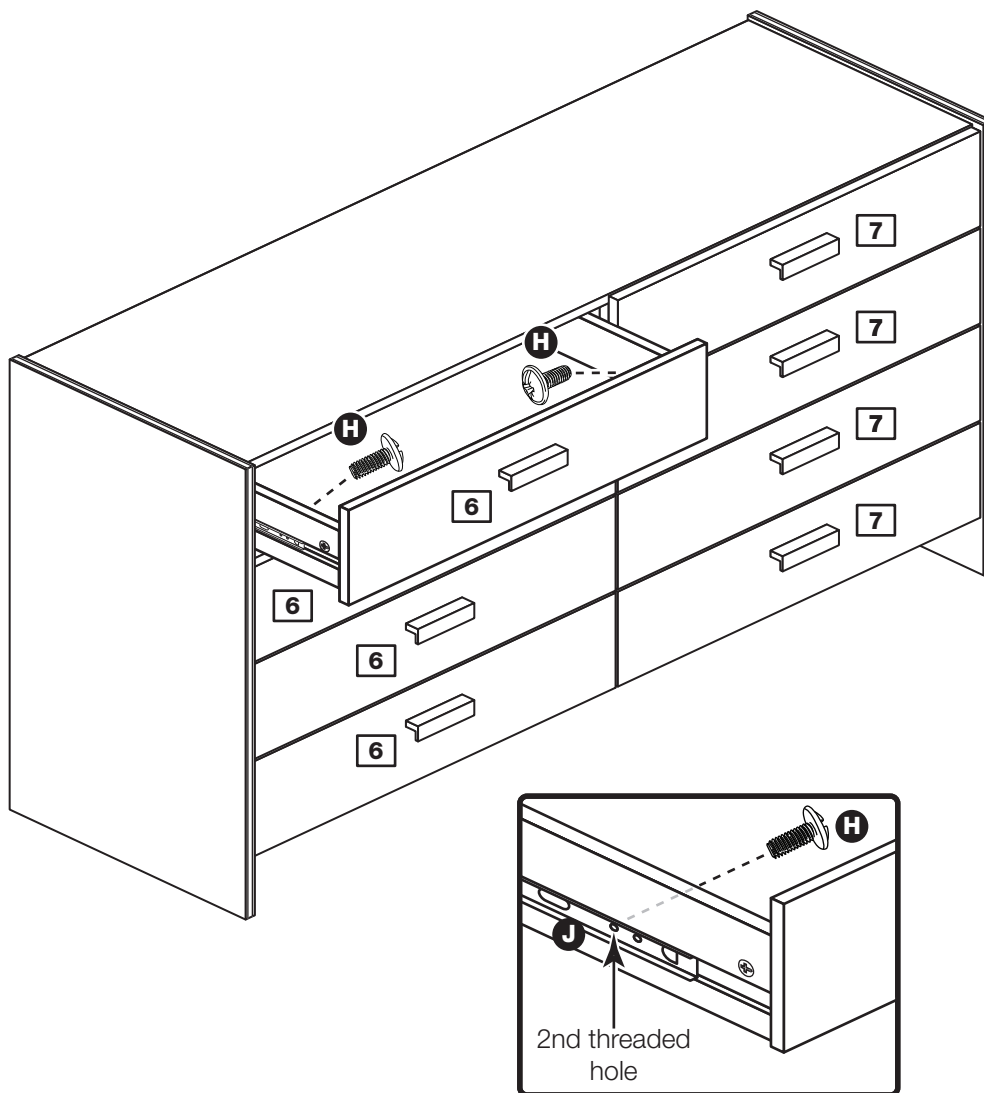
Working from the inside of the drawer, insert 2 screws **H** through the drawer sides and out into the 2nd threaded hole in the runner.

Note: Do not overtighten the screws **H**. If they catch on the runner you may need to loosen them slightly.

Assembly is complete



Warning: The unit is heavy. Lift with care.



If you need help or have damaged or missing parts, call the Customer Helpline: 08456 400800 and quote the reference numbers on the component pages.

Argos Ltd, 489-499 Avebury Boulevard, Central Milton Keynes, MK9 2NW

