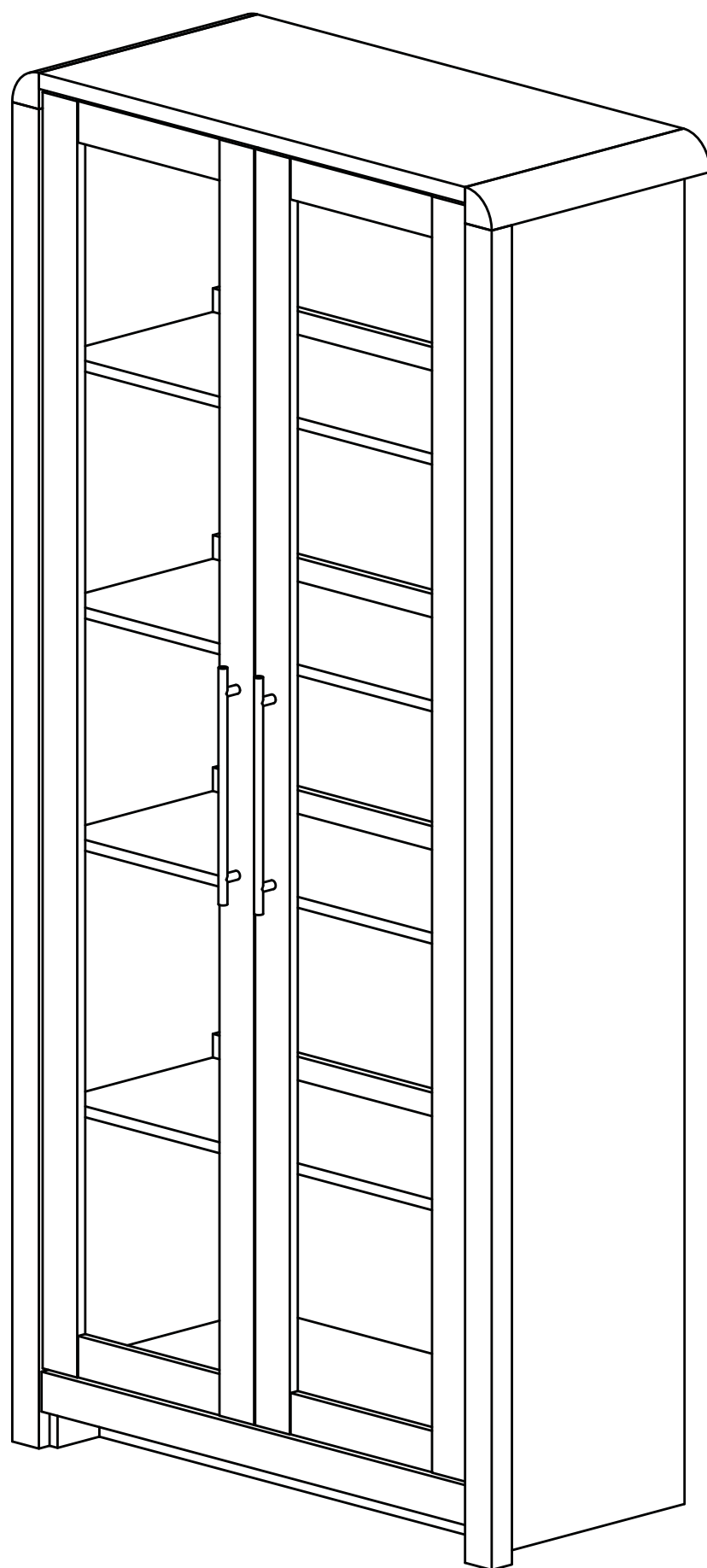


Elford - Full Display

Assembly Instructions - Please keep for future reference

246/7854

224/9072



Dimensions

Width - 90cm

Depth - 41cm

Height - 189.5cm

Important – Please read these instructions fully before starting assembly

If you need help or have damaged or missing parts, call the **Customer Helpline:**

Argos = 0345 6403030

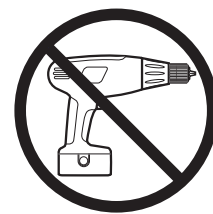


Safety and Care Advice

Important – Please read these instructions fully before starting assembly

- Check you have all the components and tools listed on pages 2 and 3.
- Remove all fittings from the plastic bags and separate them into their groups.
- Keep children and animals away from the work area, small parts could choke if swallowed.
- Make sure you have enough space to layout the parts before starting.
- Do not stand or put weight on the product, this could cause damage.
- Assemble the item as close to its final position (in the same room) as possible.

- Assemble on a soft level surface to avoid damaging the unit or your floor.
- Parts of the assembly will be easier with 2 people.
- Due to difference in floor levels, doors may not be aligned. Adjustment may be necessary.
- To prevent bowing of shelves do not over load, and always distribute weight evenly.
- If a residual aroma is experienced with your new furniture after the packaging is removed simply ensure the room is well ventilated and this will assist a speedy removal



- We do not recommend the use of power drill/drivers **for inserting screws**,

as this could damage the unit. Only use hand screwdrivers.

- Dispose of all packaging carefully and responsibly.
- It is essential that this unit be fixed to a wall with the fittings provided.
- Please retain the product label on the back of the unit, as this information will help support any queries.

Care and maintenance - Non compliance with this information may affect your guarantee

- Dust with a clean cloth or, if required a slightly damp cool cloth. Do not use household cleaners, abrasives or polishes as permanent damage may occur.
- Your furniture is finished to the required colour. Avoid exposure to strong sunlight as this can change the colour. Change in appearance may also occur if items are permanently left on a surface.
- Do not drag the furniture or lift it by its top.
- Avoid sharp objects, contact with water and direct heat on all surfaces
- You should get assistance when moving or lifting your furniture. Furniture consisting of more than one unit should be disassembled before attempting to move it.
- Doors should be secured or removed before moving.
- Electrical fittings must be fitted with a 3-amp fuse to BS1362. Disconnect from the source of power before changing bulbs. Replace bulbs with the same type and wattage.
- This product should not be discarded with household waste. Take to your local authority waste disposal centre.

Handy Hints

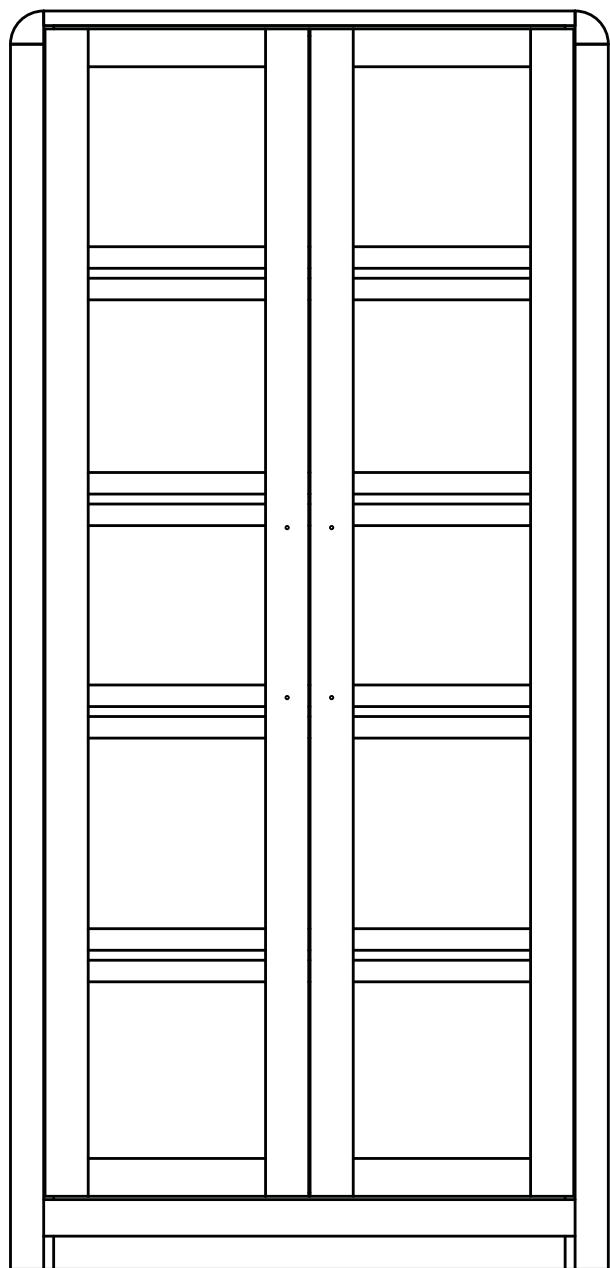
- Assemble all parts and bolts loosely during assembly, only once the product is complete should you fully tighten the bolts.
- Regularly check and ensure that all bolts and fittings are tightened properly.

Note: if required the next page can be cut out and used as reference throughout the assembly. Keep this page with these instructions for future reference.

Components - Panels

If you have damaged or missing components, call the
Customer Helpline: Argos = 0345 6403030

Please check you have all the panels listed below




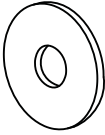
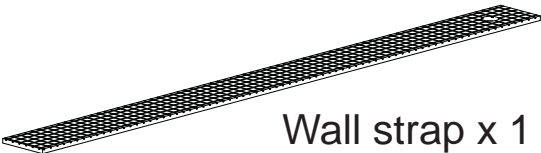

1 Display unit (189.5 x 90 x 41cm)



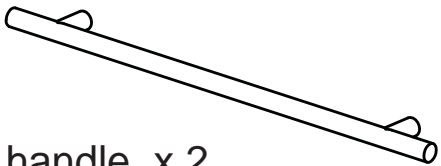
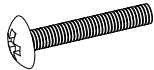
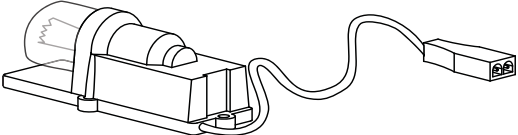
Components - Fittings

Please check you have all the fittings listed below

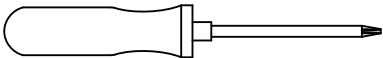
Note: The quantities below are the correct amount to complete the assembly. In some cases more fittings may be supplied than are required.

<p>A </p> <p>15mm Screw x 1</p>	<p>B </p> <p>15mm Washer x 2</p>	<p>C </p> <p>Wall strap x 1</p>
<p>D </p> <p>Multi socket adapter x 1</p>		

The following components are pre-fitted and are illustrated for reference only.

<p></p> <p>Large bar handle x 2</p>	<p></p> <p>20mm Handle screw x 4</p>	<p></p> <p>Display light [with bulb] x 1</p>
---	--	--

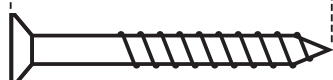
Tools required

 Phillips screwdriver (medium)

 Step Ladder (or equivalent)

Ruler - Use this ruler to help correctly identify the screws

0 5 10 15 20 25 30 35 40 45 50 55 60 65 70 75 80 85 90 95 100 105 110 115 120 125 130 135 140 145 150 155 160 165 170



The screws length is measured from the head to the point (30mm screw shown)

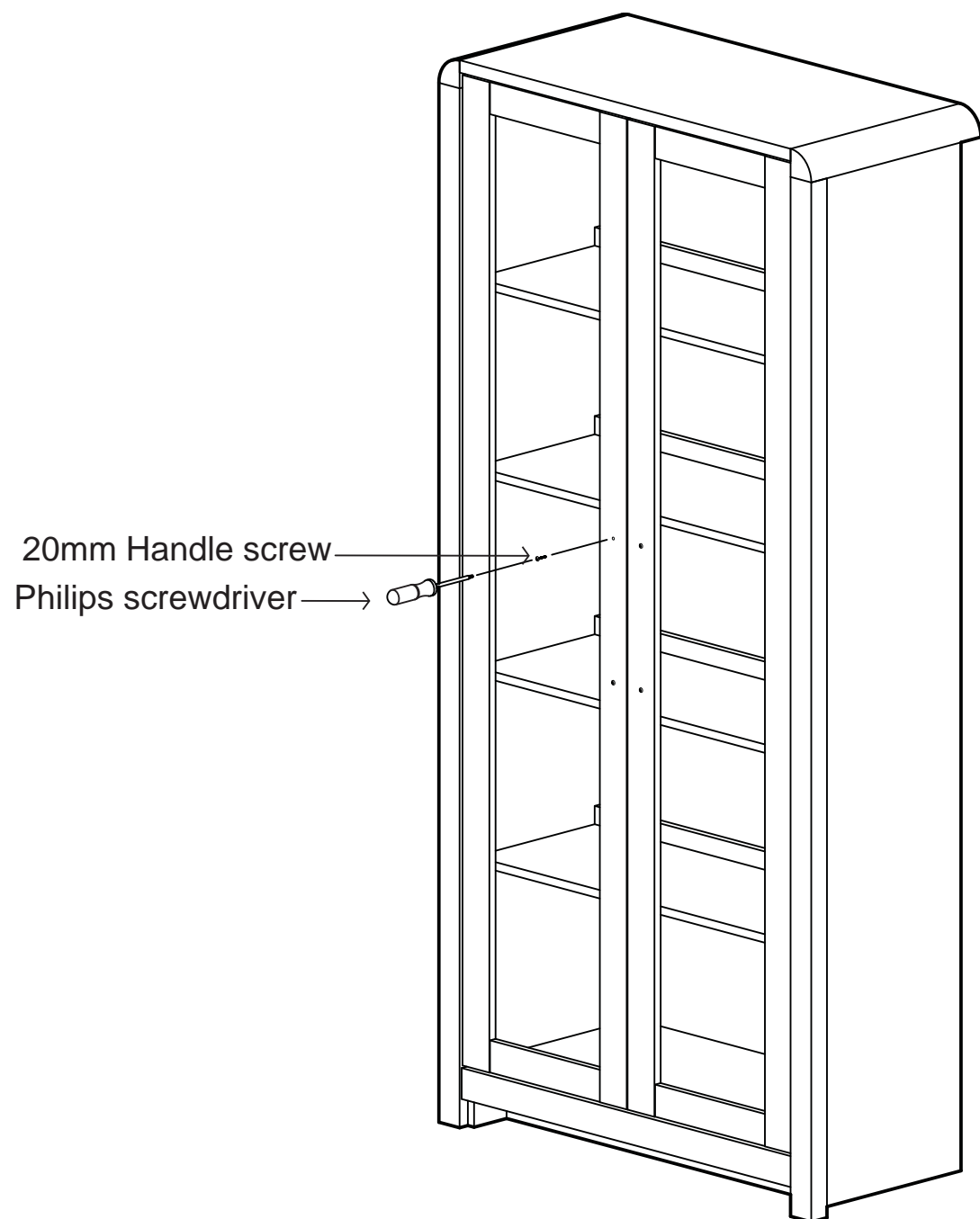
Assembly Instructions

Step 1

Remove and replace handles

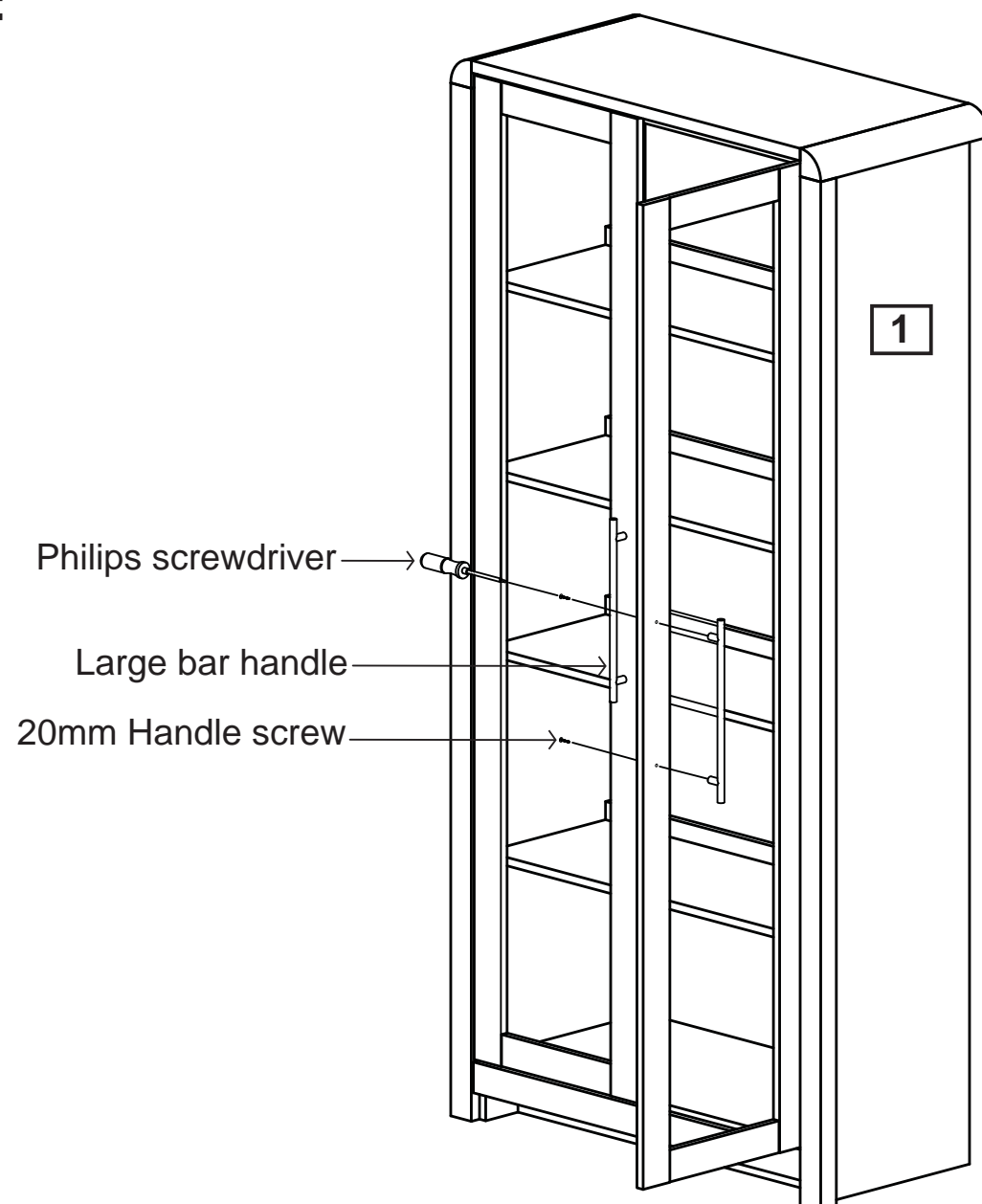
a: Position the unit in the required position. The large bar handles are fitted to the inside the unit, using a Philips screwdriver unscrew the 20mm handle screws in each handle and remove both the 20mm handle screw and the large and small bar handles.

a:



b: Replace the large bar handles on the front of the unit. Fix in position by screwing the 20mm handle screw into each handle from inside the unit using a Philips screwdriver.

b:



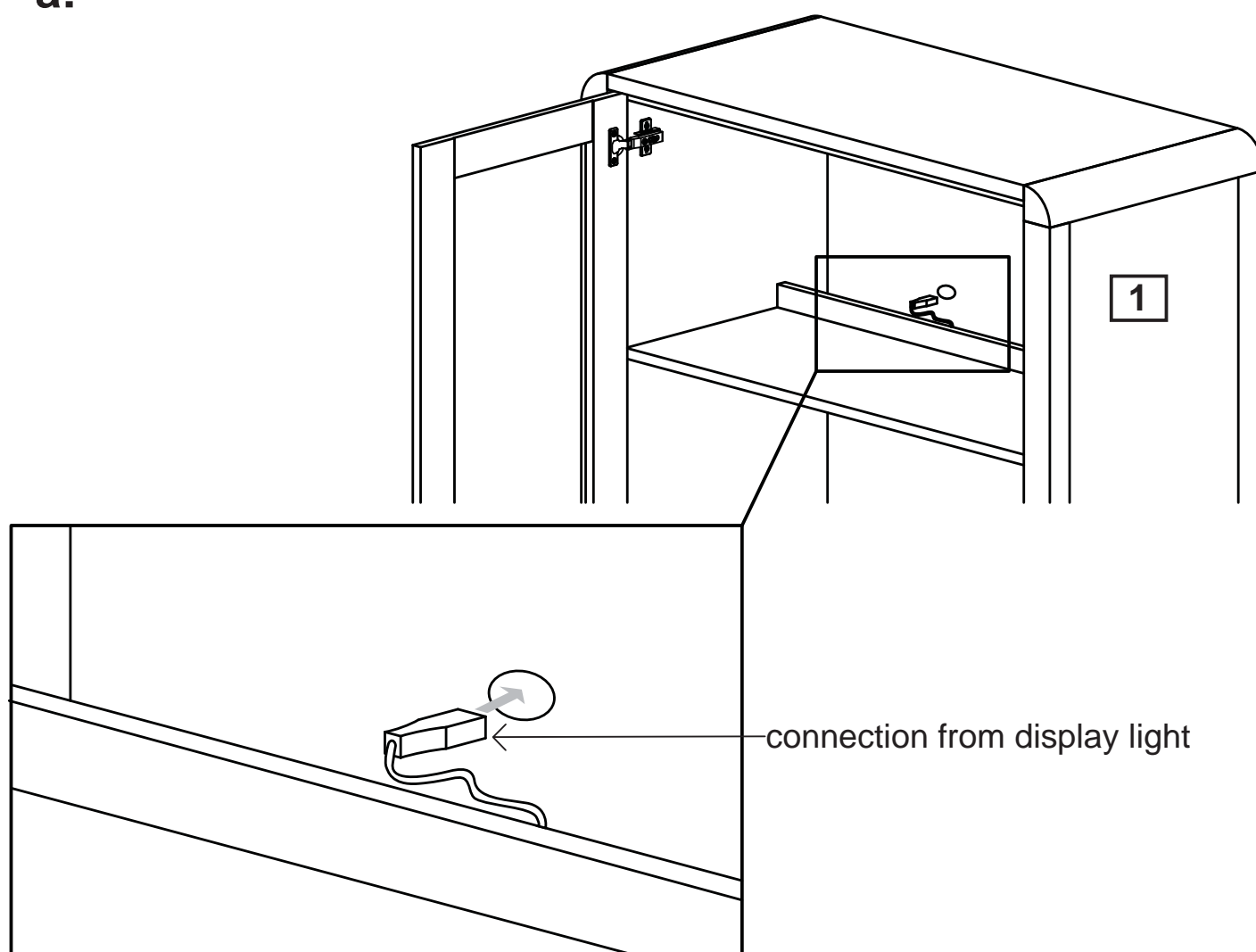
Assembly Instructions

Step 2

Connecting display lights

a: The display light is fixed to the light pelmet inside the display cabinet. Push the the fitting on the end of the cable through the hole in the back panel.

a:



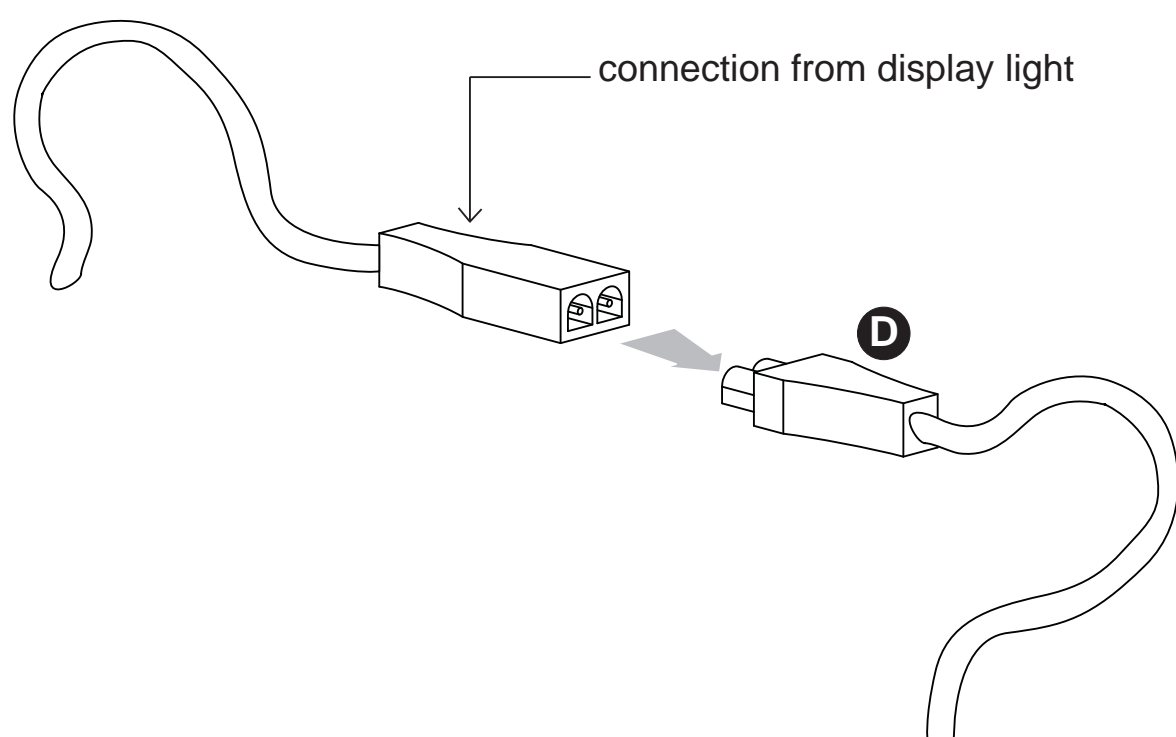
b: Connect the socket on the display light into the socket adapter **D**. You can now connect to the mains.

Note: the light fitting has its own on / off switch on the back of the fitting.



Warning: Always turn the lights off at the mains when changing the bulb.

b:



Assembly Instructions

Step 3

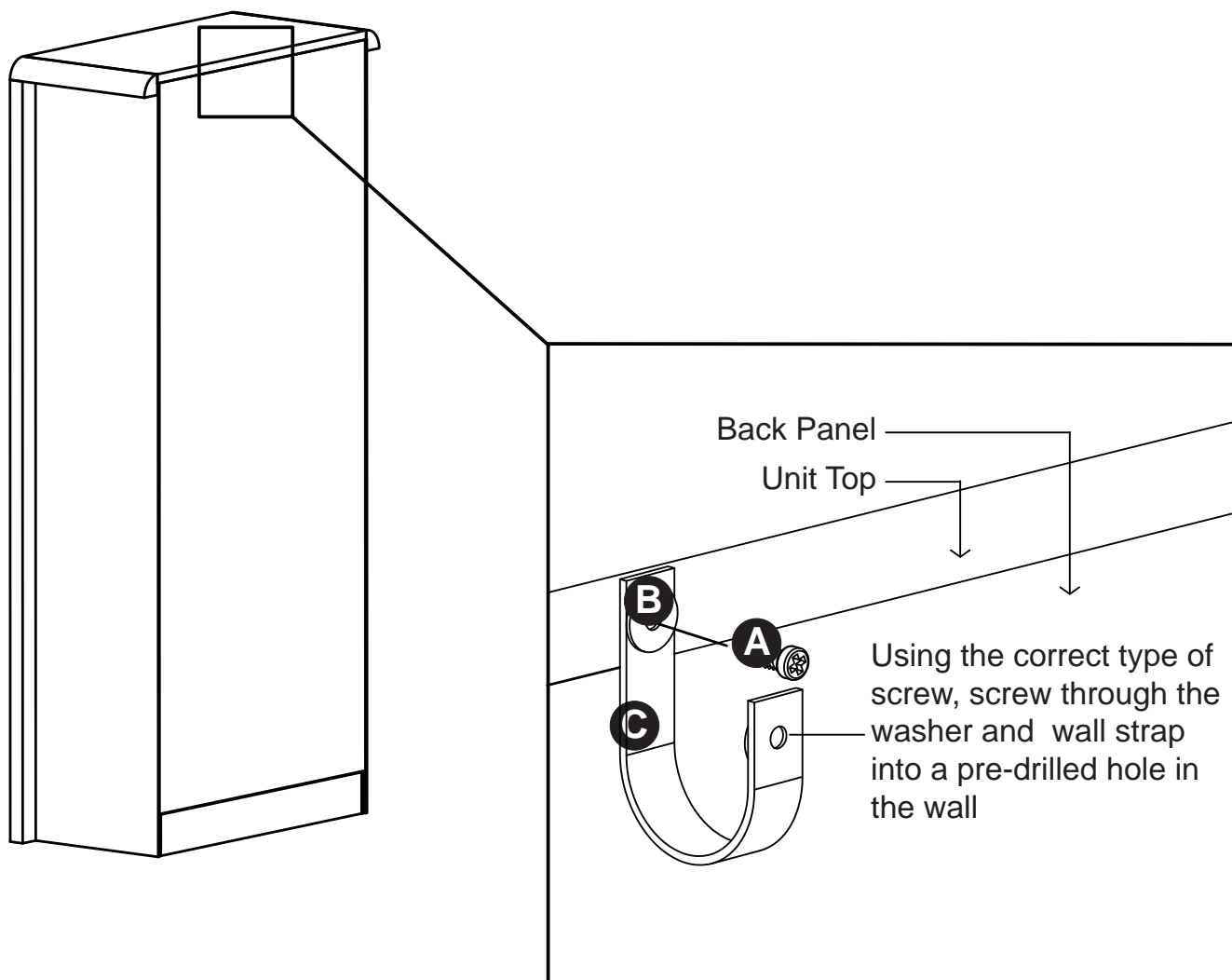
Fixing to wall

It is recommended that the unit is fixed to a wall

Fix wall strap **C** to the back of the unit using 15mm screw **A** and 15mm washer **B**.



Warning: The 15mm screw **B** is for fixing the wall strap **C** to furniture only. In addition to this you will need to choose a screw or fitting which is suitable for securing the wall strap **C** to the type of walls you have. If you are unsure about what type of screw to use seek professional help.



Step 4

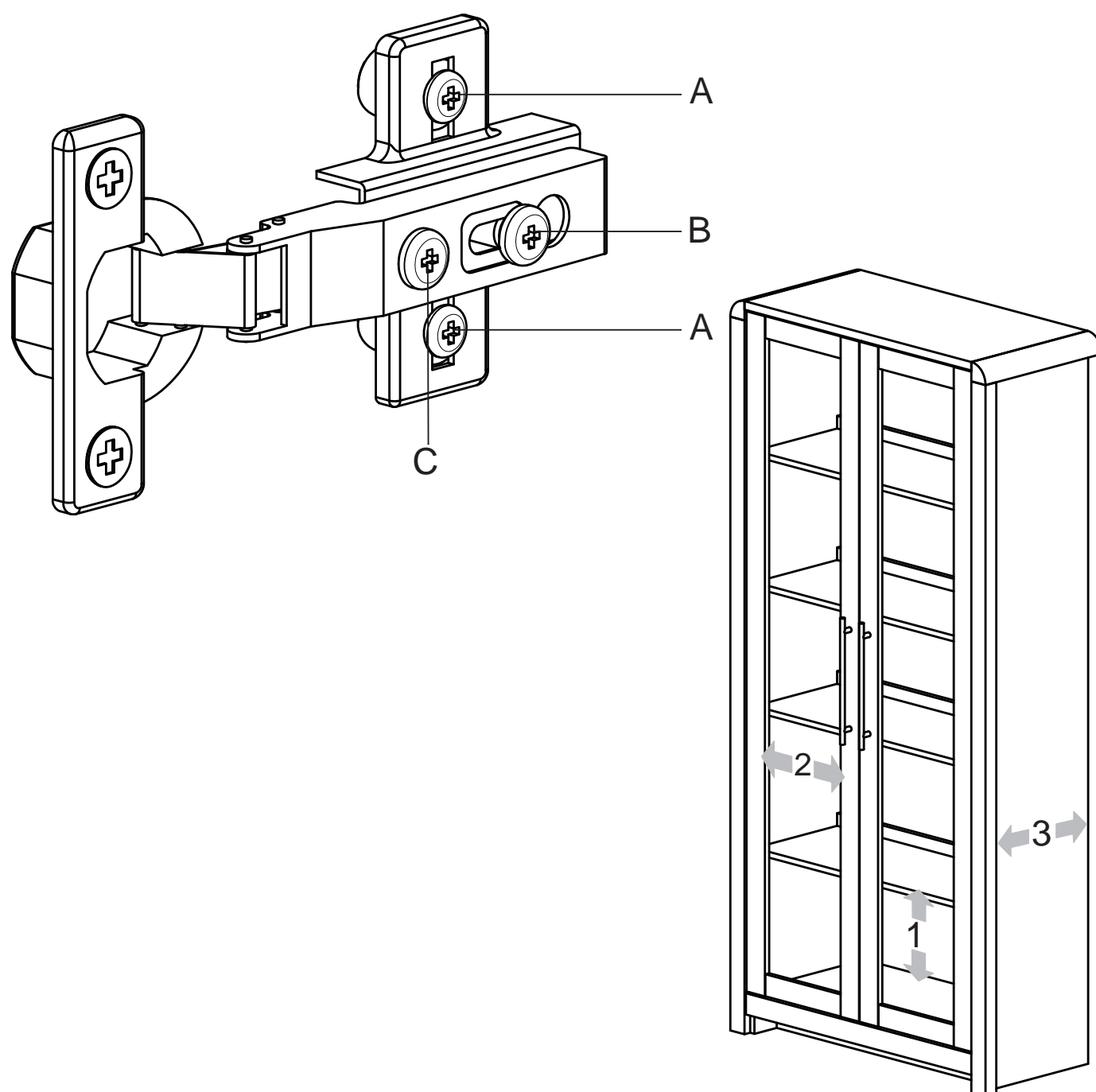
Adjusting doors

1. To adjust the height / level of the door loosen all screw 'A's on all hinge plates, level the door height and retighten all screw 'A's.

2. To adjust the gap between the doors loosen screw 'B', then turn screw 'C' clockwise to close the gap or anticlockwise to increase the gap. Re-tighten screw 'B' to lock position.

3. To adjust the distance away from the unit loosen screw 'B', this allows the hinge arm to slide back and forth. Adjust as required then re-tighten screw 'B'.

Assembly is complete.



If you need help or have damaged or missing parts, call the **Customer Helpline:**
Argos = 0345 6403030