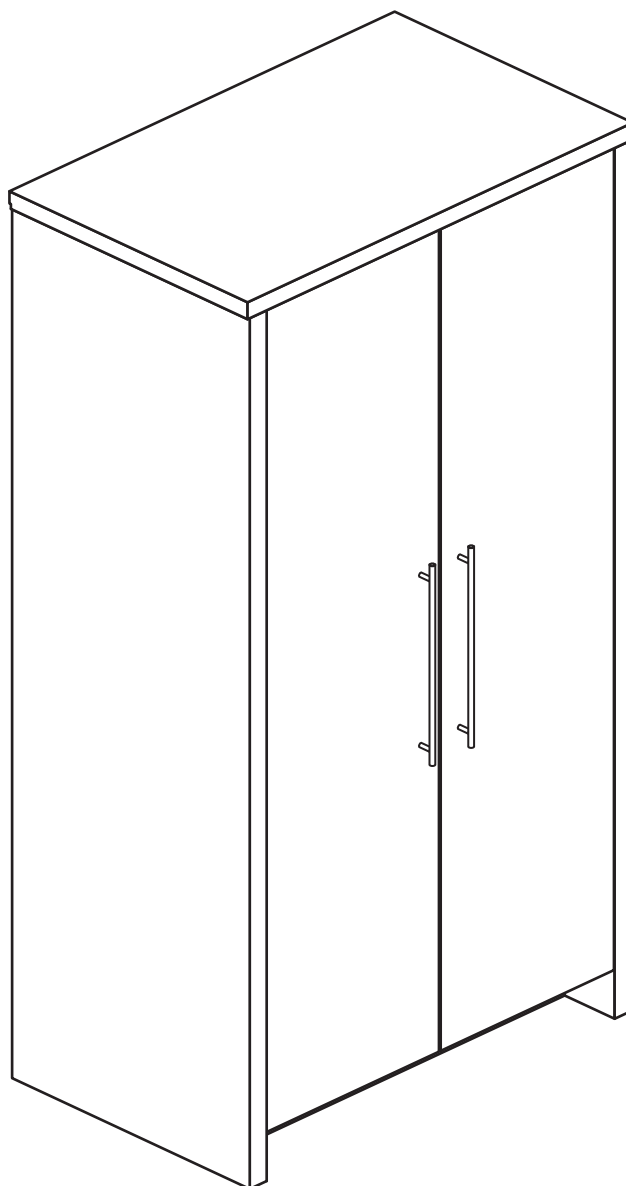


# Camden - 2 Door Robe

Assembly Instructions - Please keep for future reference

264/9971

266/1021



## Dimensions

Width - 79.5cm

Depth - 49.5cm

Height - 183.5cm



**MADE IN  
BRITAIN**

**Important** - Please read these instructions fully before starting assembly

If you need help or have damaged or missing parts, call the **Customer Helpline: 08456 400800**



# Safety and Care Advice

**Important - Please read these instructions fully before starting assembly**

- **Warning:** This unit weighs approximately 45kgs. Please lift with care.

- Check you have all the components and tools listed on pages 2 and 3.

- Remove all fittings from the plastic bags and separate them into their groups.

- Keep children and animals away from the work area, small parts could choke if swallowed.

- Make sure you have enough space to layout the parts before starting.

- Do not stand or put weight on the product, this could cause damage.

- Assemble the item as close to its final position (in the same room) as possible.

- Assemble on a soft level surface to avoid damaging the unit or your floor (use opened out unit carton).



- We do not recommend the use of power drill/drivers **for inserting screws**, as this could damage the unit. Only use hand screwdrivers.

- **Safety note:** It is recommended that this unit is secured to a wall using the bracket supplied.

- Dispose of all packaging carefully and responsibly.

## Care and maintenance

- Only clean using a damp cloth and mild detergent, do not use bleach or abrasive cleaners.

- From time to time check that there are no loose screws on this unit.

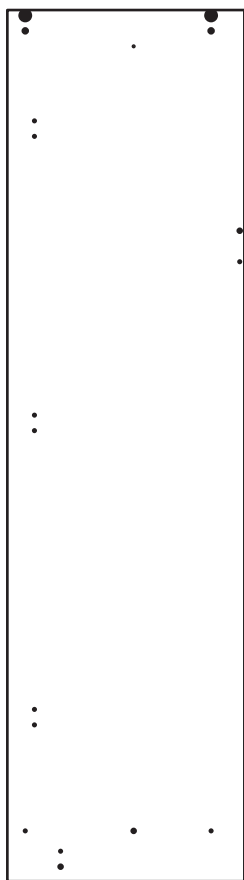
- This product should not be discarded with household waste. Take to your local authority waste disposal centre.

**Note:** If required the next page can be cut out and used as reference throughout the assembly. Keep this page with these instructions for future reference.

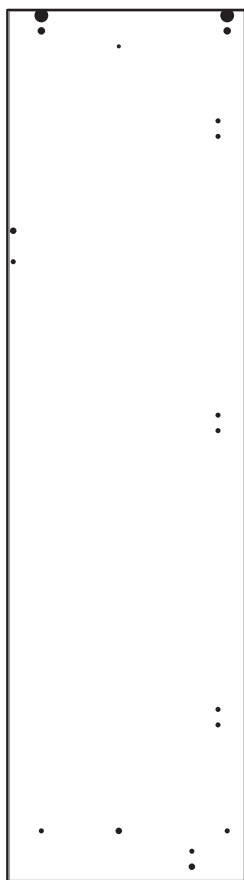
# Components - Panels

If you have damaged or missing components, call the **Customer Helpline: 08456 400800** quoting the reference numbers below

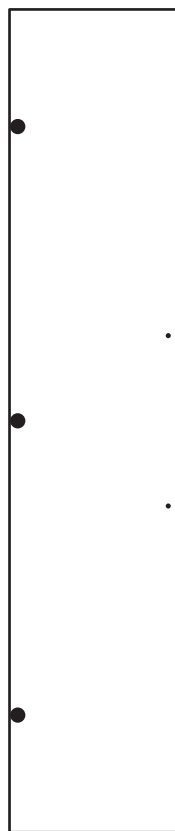
Please check you have all the panels listed below



**1** Left Side (D2004A)  
(1800 x 491mm)



**2** Right Side (D2005A)  
(1800 x 491mm)



**3** Door (D2008A)  
(1700 x 358mm) x 2



**4** Top (D2003A)  
(796 x 492mm)



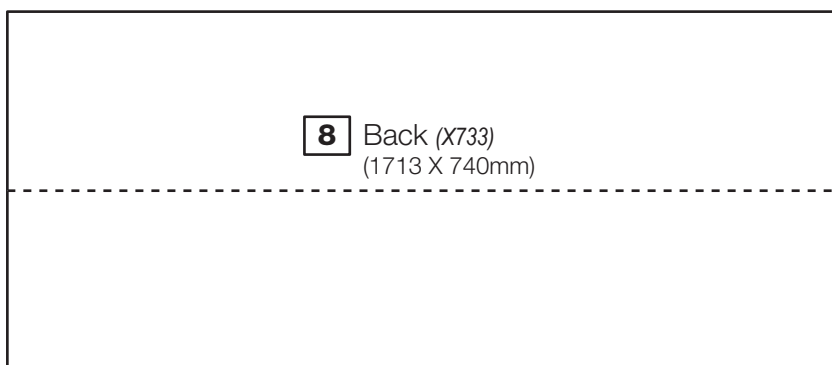
**5** Base (D2006A)  
(722 x 473mm)



**6** Plinth (D1994A)  
(722 x 96mm)



**7** Hanging Rail (FHR715)  
(715mm long)



**8** Back (X733)  
(1713 X 740mm)



**9** Back Rail (D2007A)  
(722 x 130mm)


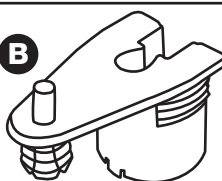

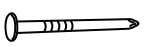
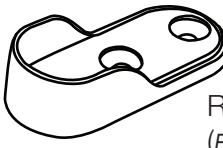

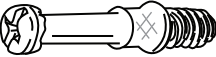



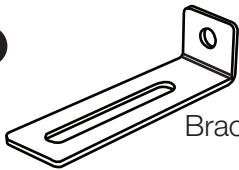
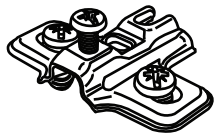
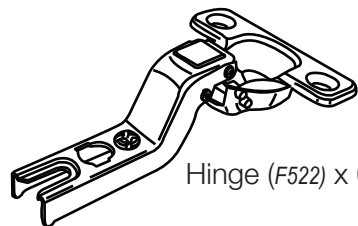
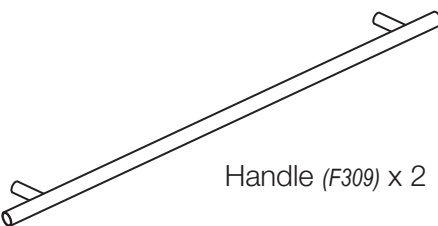


# Components - Fittings

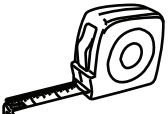
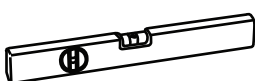

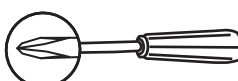

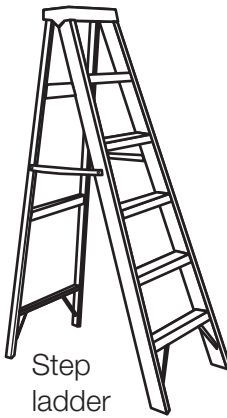
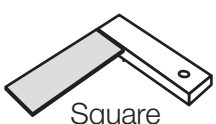
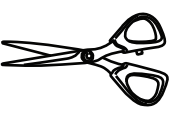

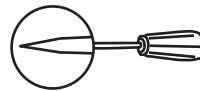
If you have damaged or missing components, call the **Customer Helpline: 08456 400800** quoting the reference numbers below

Please check you have all the fittings listed below

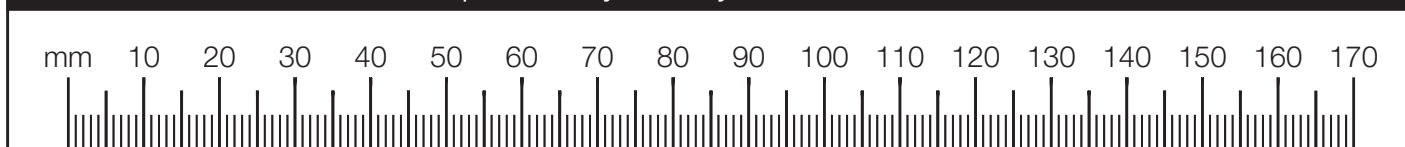
**Note:** The quantities below are the correct amount to complete the assembly. In some cases more fittings may be supplied than are required.

<p><b>A</b> </p> <p>Wooden dowel (F22) x 6</p>	<p><b>B</b> </p> <p>Hollow core locking nut (F892) x 4</p>	<p><b>C</b> </p> <p>Small metal dowel (F893) x 4</p>
<p><b>D</b> </p> <p>Nail (F51) x 32</p>	<p><b>E</b> </p> <p>Rail Holder (F891) x 2</p>	<p><b>F</b> </p> <p>13mm Screw (F63) x 16</p>
<p><b>G</b> </p> <p>Metal dowel (F901) x 8</p>	<p><b>H</b> </p> <p>Large locking nut (F900) x 8</p>	<p><b>I</b> </p> <p>19mm Screw (F461) x 4</p>
<p><b>J</b> </p> <p>13mm Screw (F79) x 1</p>	<p><b>K</b> </p> <p>Bracket (F327) x 1</p>	<p><b>L</b> </p> <p>Hinge plate (F523) x 6</p>
<p><b>M</b> </p> <p>Hinge (F522) x 6</p>	<p><b>N</b> </p> <p>Handle (F309) x 2</p>	

## Tools required

<p></p> <p>Rule</p>	<p></p> <p>Spirit level</p>	<p></p> <p>Eye protection (when using a hammer or drill)</p>	<p></p> <p>Cross-head screwdriver</p>	<p></p>	<p></p> <p>Step ladder</p>
<p></p> <p>Square</p>	<p></p> <p>Scissors</p>	<p></p> <p>Hammer</p>	<p></p> <p>Bradawl</p>	<p>Electric drill (only use when drilling into walls)</p>	

**Ruler** - Use this ruler to help correctly identify the screws



# Assembly Instructions

If you have damaged or missing components, call the  
**Customer Helpline: 08456 400800** quoting the reference  
numbers below

## Step 1

### Prepare the left side

**a:** Fit 3 hinge plates **L** onto the left side **1**, making sure that the slot is facing towards the finished front edge.

**b:** To fit the rail holder **E**, screw through the top hole with screw **F** and into the mark hole drilled in the left side **1**. Make sure that it is fitted straight, in line with the panel edges and then fit another screw **F** using the lower hole.

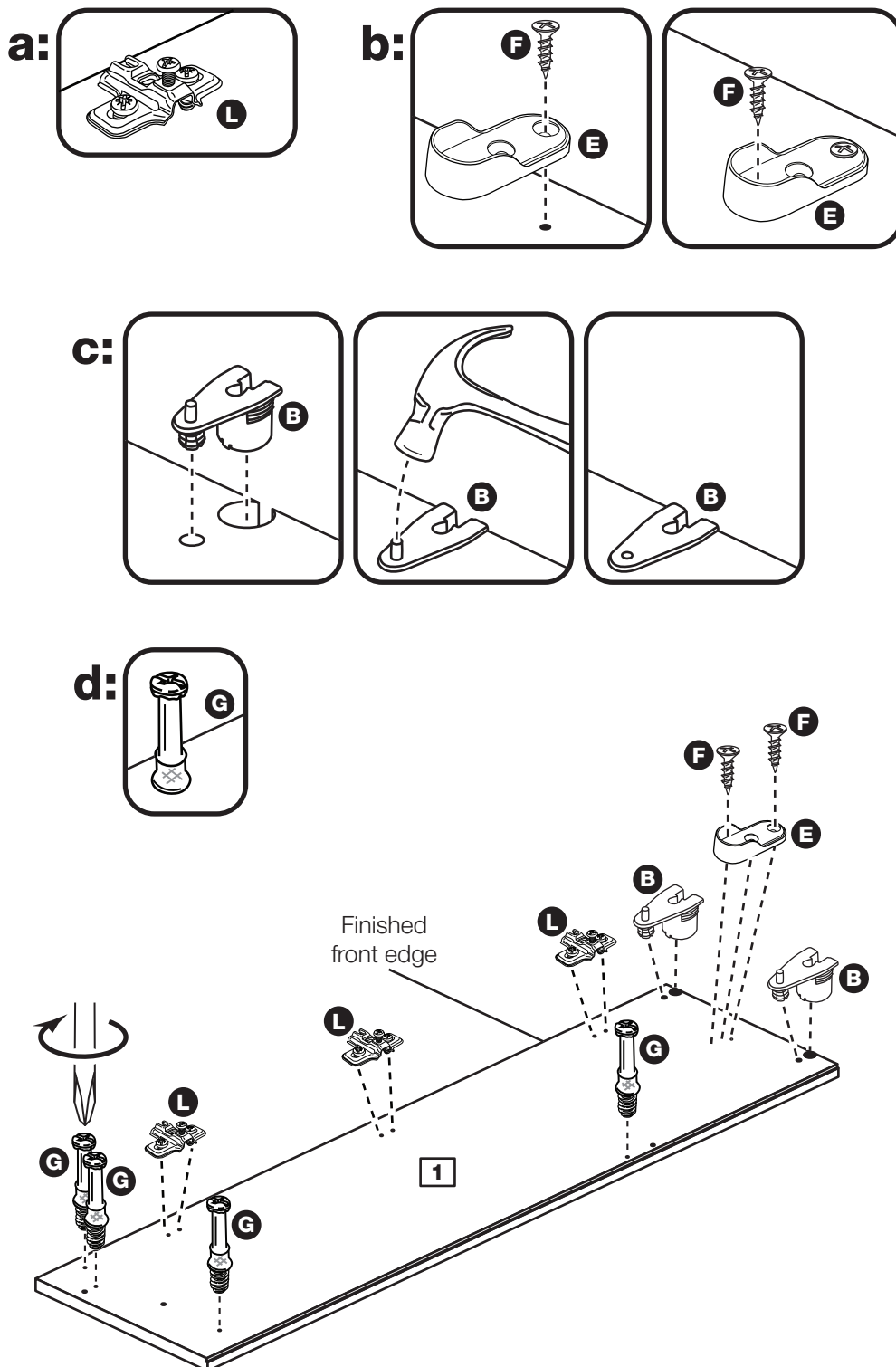
**c:** Push 2 hollow core locking nuts **B** into the left side **1**, making sure that they are flush against the panel's surface.

Using a hammer, tap in the pin on the hollow core locking nut **B**.

**Note:** The pin should be tapped in flush with the top surface of the hollow core locking nut **B**.

**d:** Screw 4 metal dowels **G** into the holes on the left side **1**.

**Note:** Tighten metal dowels up fully against the panel.



# Assembly Instructions

## Step 2

### Prepare the right side

**a:** Fit 3 hinge plates **L** onto the right side **2**, making sure that the slot is facing towards the finished front edge.

**b:** To fit the rail holder **E**, screw through the top hole with screw **F** and into the mark hole drilled in the right side **2**. Make sure that it is fitted straight, in line with the panel edges and then fit another screw **F** using the lower hole.

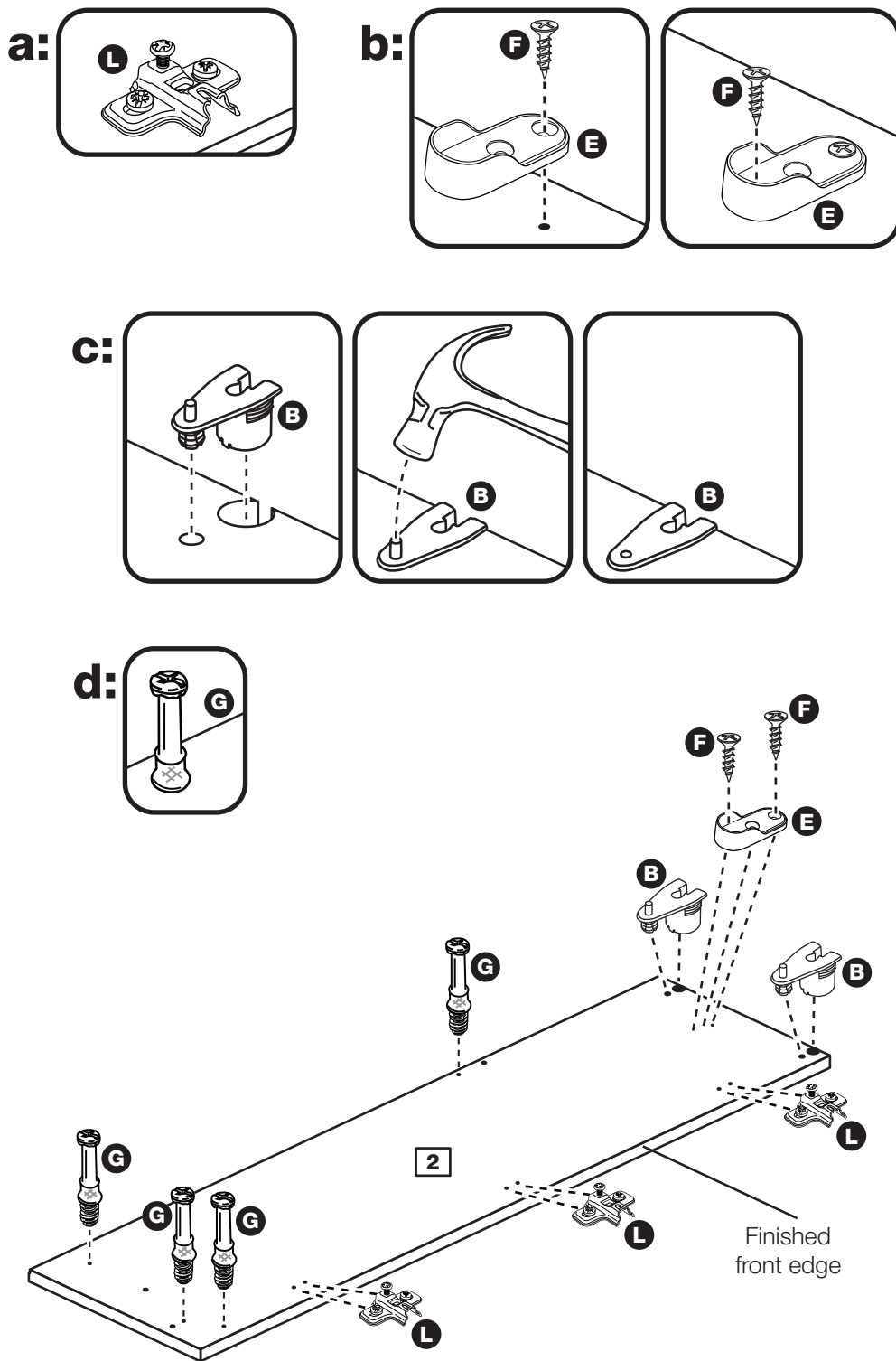
**c:** Push 2 hollow core locking nuts **B** into the right side **2**, making sure that they are flush against the panel's surface.

Using a hammer, tap in the pin on the hollow core locking nut **B**.

**Note:** The pin should be tapped in flush with the top surface of the hollow core locking nut **B**.

**d:** Screw 4 metal dowels **G** into the holes on the right side **2**.

**Note:** Tighten metal dowels up fully against the panel.



# Assembly Instructions

## Step 3

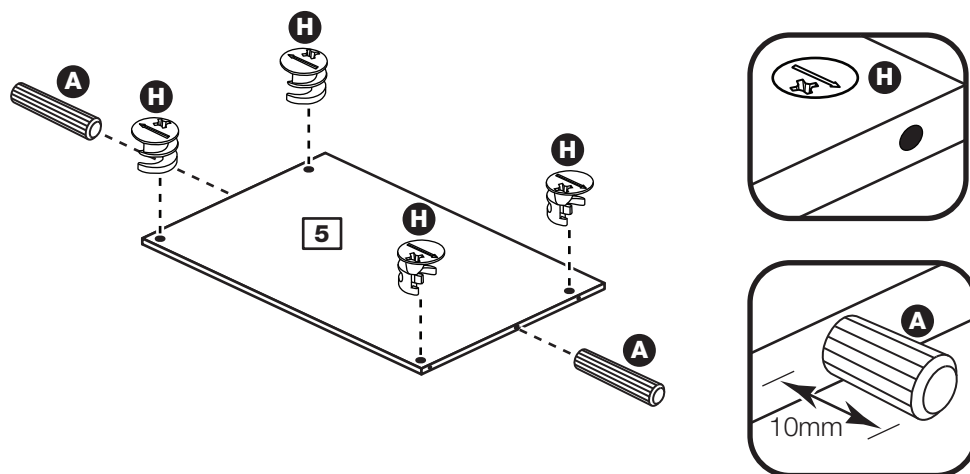
### Prepare the base

Insert 4 large locking nuts **H** into the base **5**.

**Note:** The arrow on the locking nut **must** point towards the hole in the edge of the panel.

Tap 2 wooden dowels **A** into the base **5**.

**Note:** Wooden dowels **must not** stick out from the edge by more than 10mm or they may damage other panels.



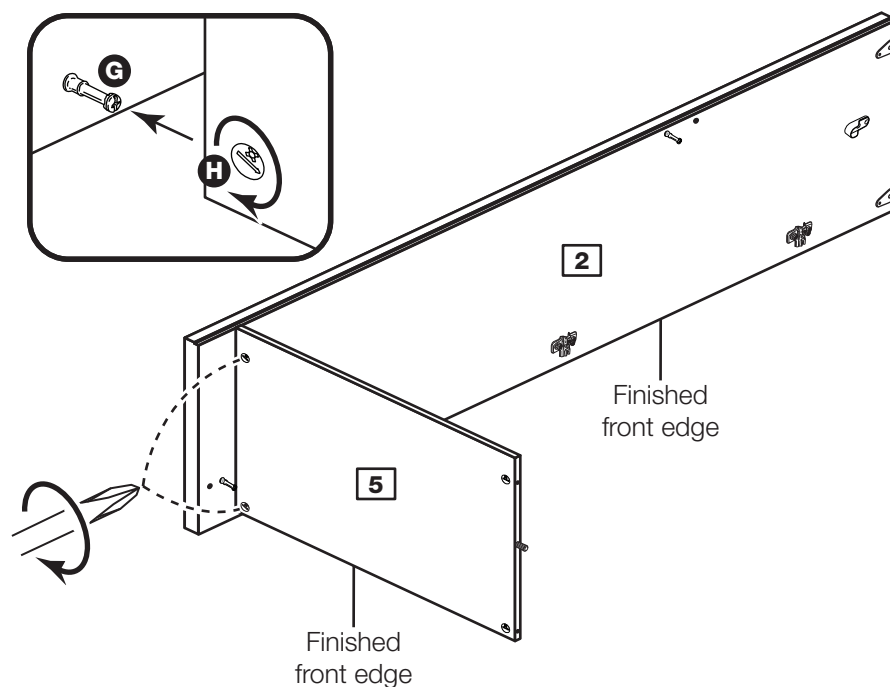
## Step 4

### Fit the base to the right side

Push the base **5** onto the right side **2**.

Use a screwdriver to tighten the 2 large locking nuts **H** fitted to the base **5**.

**Note:** Turn the large locking nuts **H** as far as they will go - more than 1/2 a turn.

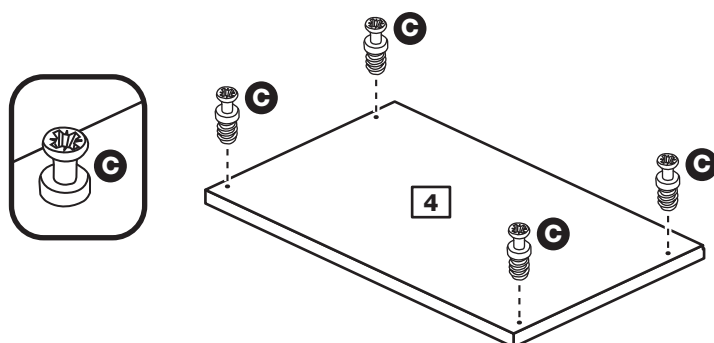


## Step 5

### Prepare the top

Screw 4 small metal dowels **C** into the holes on the top **4**.

**Note:** Tighten metal dowels up fully against the panel.



# Assembly Instructions

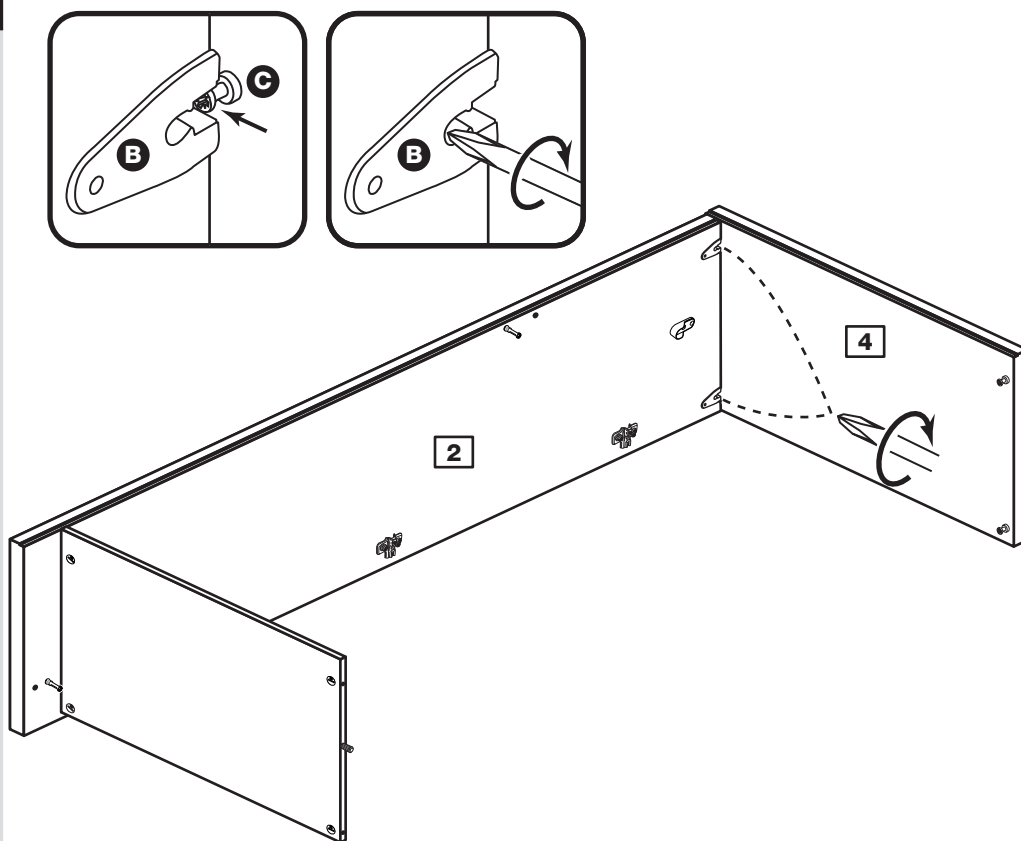
## Step 6

### Fit the top

Attach the top **4** onto the assembly.

**Note:** You will need to slide the 2 small metal dowels **C** into the top of the 2 hollow core locking nuts **B**.

Insert a screwdriver into the 2 hollow core locking nuts **B** and turn the nuts inside as far as they will go.

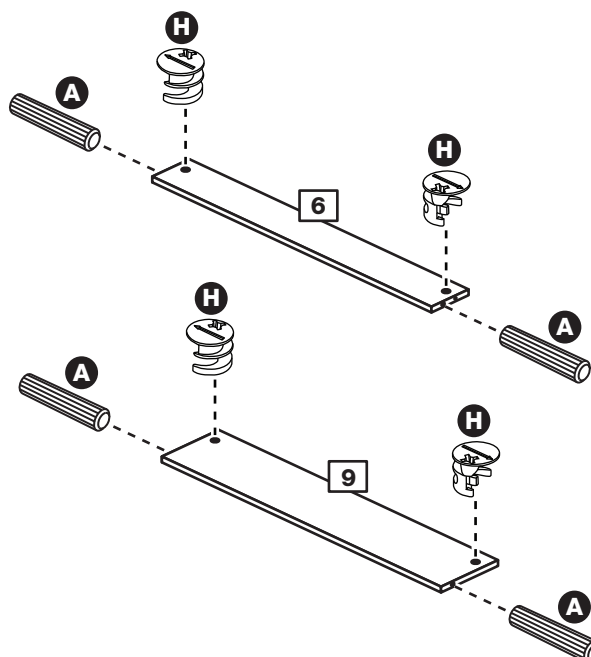


## Step 7

### Prepare the plinth and the back rail

Insert 2 large locking nuts **H** into the plinth **6** and 2 into the back rail **9**.

Tap 2 wooden dowels **A** into the plinth **6** and 2 into the back rail **9**.





# Assembly Instructions

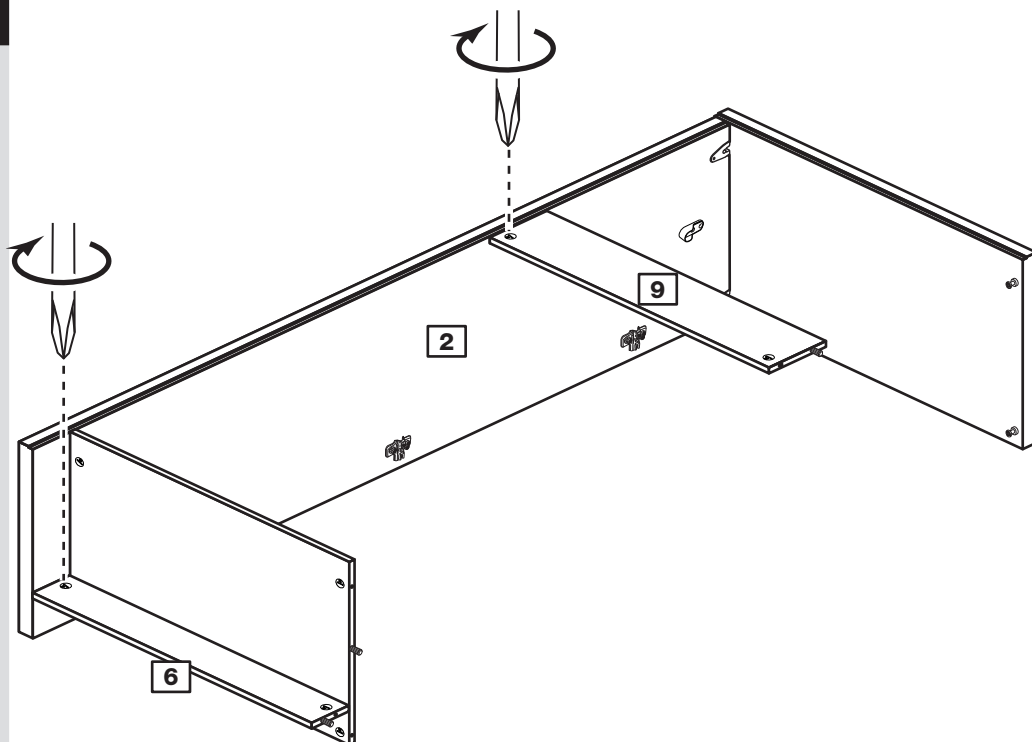
## Step 8

### Fit the plinth and the back rail

Push the plinth **6** and the back rail **9** onto the right side **2**.

Use a screwdriver to tighten the 2 large locking nuts **H** fitted to the plinth **6** and back rail **9**.

**Note:** Support the end of the plinth **6** and back rail **9** until the left side has been fitted.



## Step 9

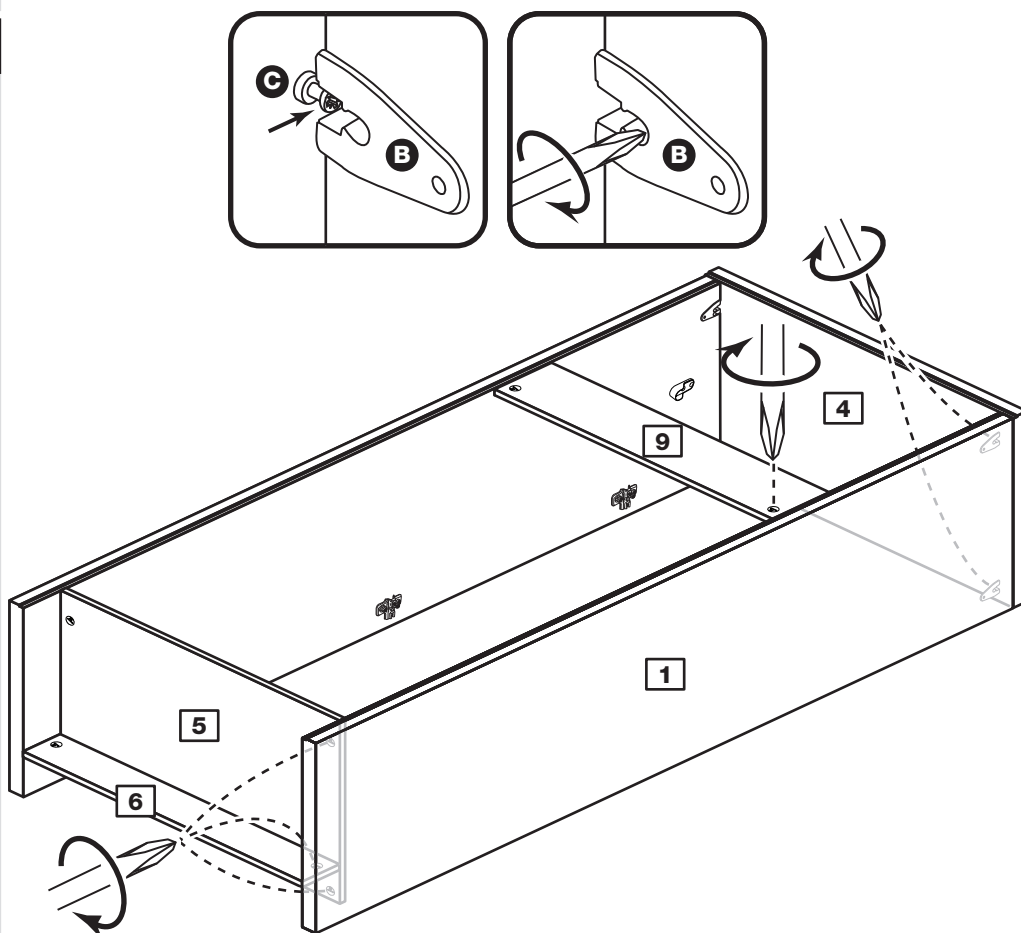
### Fit the left side

Push the left side **1** onto the assembly.

**Note:** You will need to slide the 2 small metal dowels **C** into the top of the 2 hollow core locking nuts **B**.

Insert a screwdriver into the 2 hollow core locking nuts **B** and turn the nuts inside as far as they will go.

Use a screwdriver to tighten the 4 large locking nuts **H** fitted to the base **5**, plinth **6** and back rail **9**.



# Assembly Instructions

## Step 10

### Fit the back panel

**a:** Square up the unit by making sure that measurement **x to x** equals **y to y**.

**b:** Place the back **8** onto the unit, coloured surface facing down.

**Note:** The back must be positioned so that it is central on the unit.

Nail **D** around the outside edges of the back **8**.

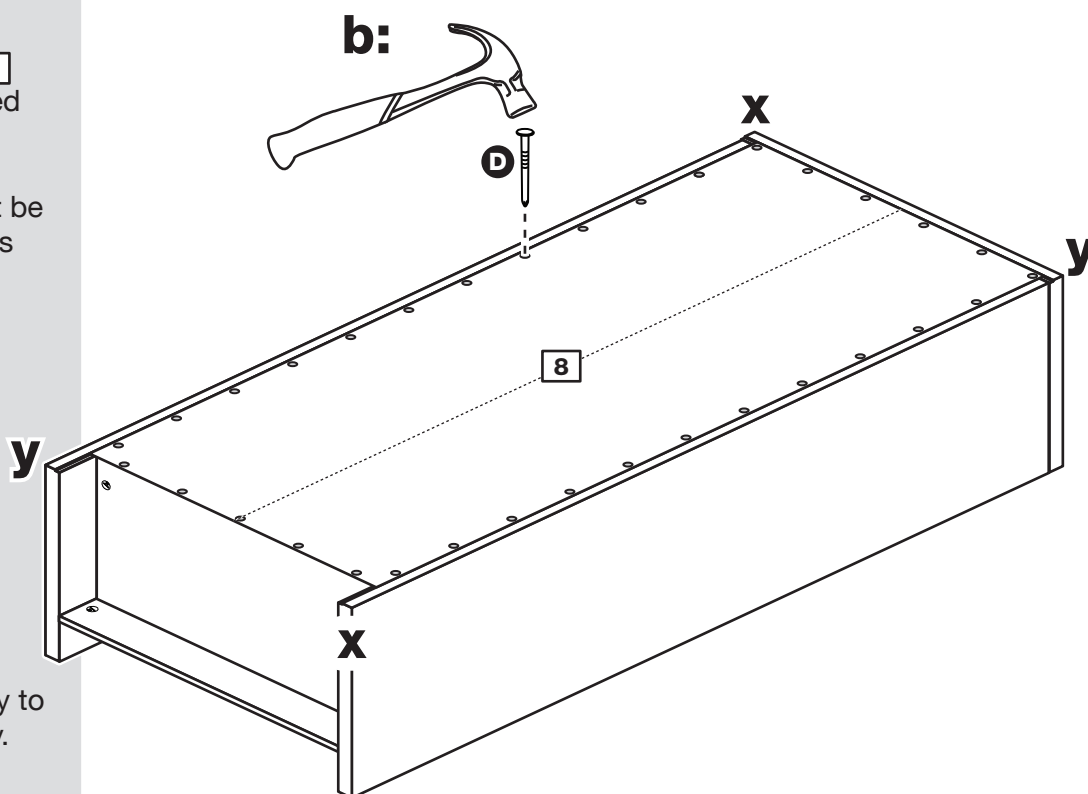
**Note:** Nails should try to be spaced out evenly.

**Stand the unit up for the next stage.**



**Warning:** The robe is heavy. Lift with care.

**a:** The measurement from top corner X to bottom corner X must be equal to the measurement from top corner Y to bottom corner Y

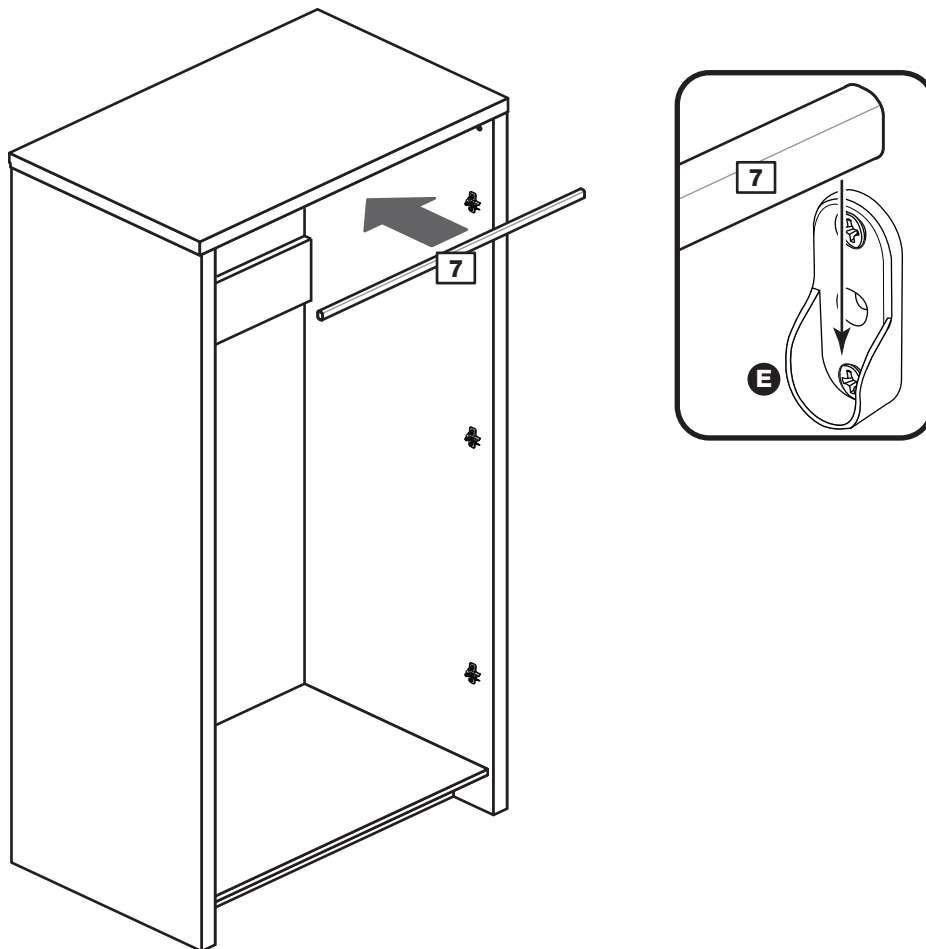


# Assembly Instructions

## Step 11

### Fit the hanging rail

Push the hanging rail **7** into the rail holders **E** fitted to the side panels.



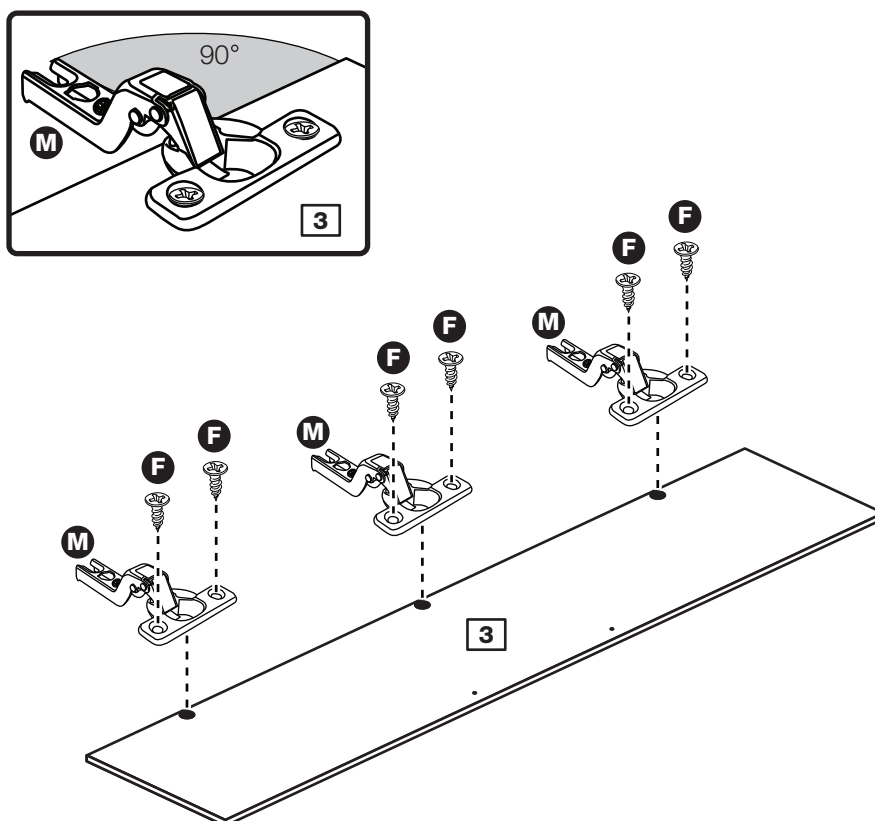
## Step 12

### Prepare the 2 doors

Push fit the 3 hinges **M** into the door **3**.

Secure each hinge with 2 screws **F**.

**Note:** Before securing with the screws, make sure that the hinges are positioned at 90 degrees with the front edge of the door.



# Assembly Instructions

## Step 13

### Fit doors and handles

*2 people are needed here*

**Note:** The easiest way to attach the door **3** is to fit the top hinge first, then align and fit the other hinges.

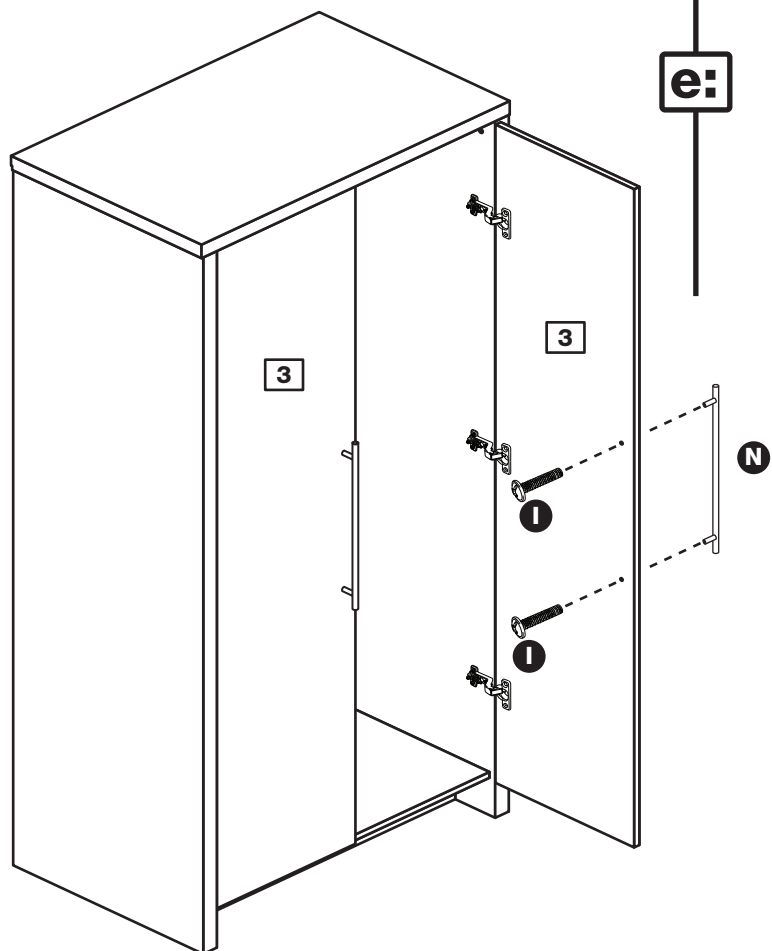
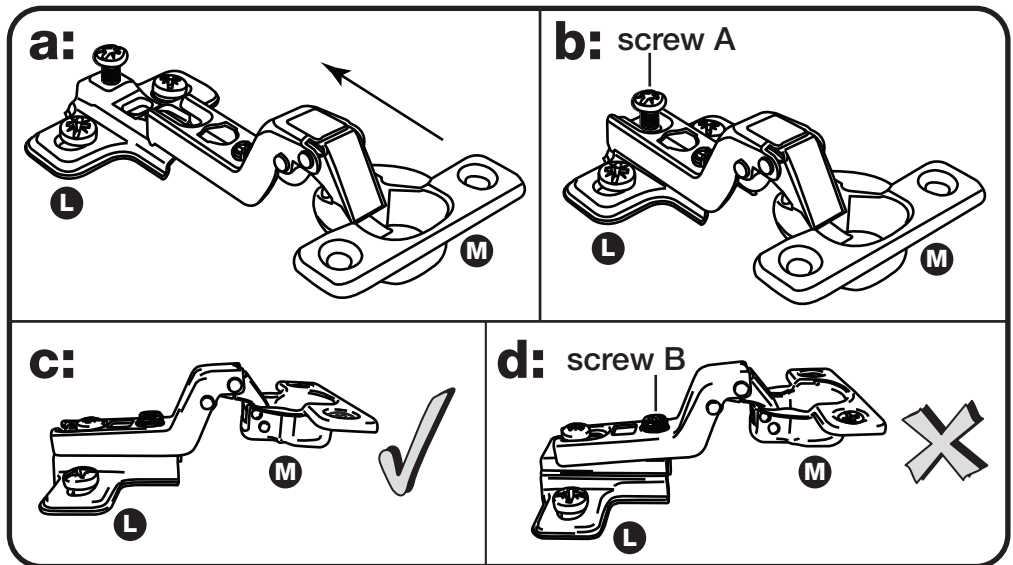
**a:** Push the hinge **M** onto the front part of the hinge plate **L**.

**b:** Keep the hinge **M** FLAT against the hinge plate **L** as you slide it across as far as it will go. Tighten screw A.

**c:** The hinge **M** must be flat against the hinge plate **L** prior to any adjustment.

**d:** The hinge **M** must NOT be AT AN ANGLE to the hinge plate **L** when assembled. This would indicate that the recess at the bottom of screw B had not located in the slot in the hinge plate and the hinge would not be secure. Remove the hinge from the hinge plate and then re-assemble being careful to follow instructions a-c.

**e:** Attach a handle **N** to each door **3** using 2 screws **I**.



# Assembly Instructions

## Step 14

### Adjust doors if needed

**a:** Before adjusting the doors, use a spirit level to check the top (or base) of the unit is level, front-to-back and side-to-side in the 3 positions shown.

Use suitable packing pieces (not supplied) to make the unit level BEFORE making any adjustment to the hinges, as shown.

### **b:** Height adjustment.

Loosen screws A on hinge plates and move door up or down as required.

Retighten screw A.

### **c:** Forward and Back adjustment.

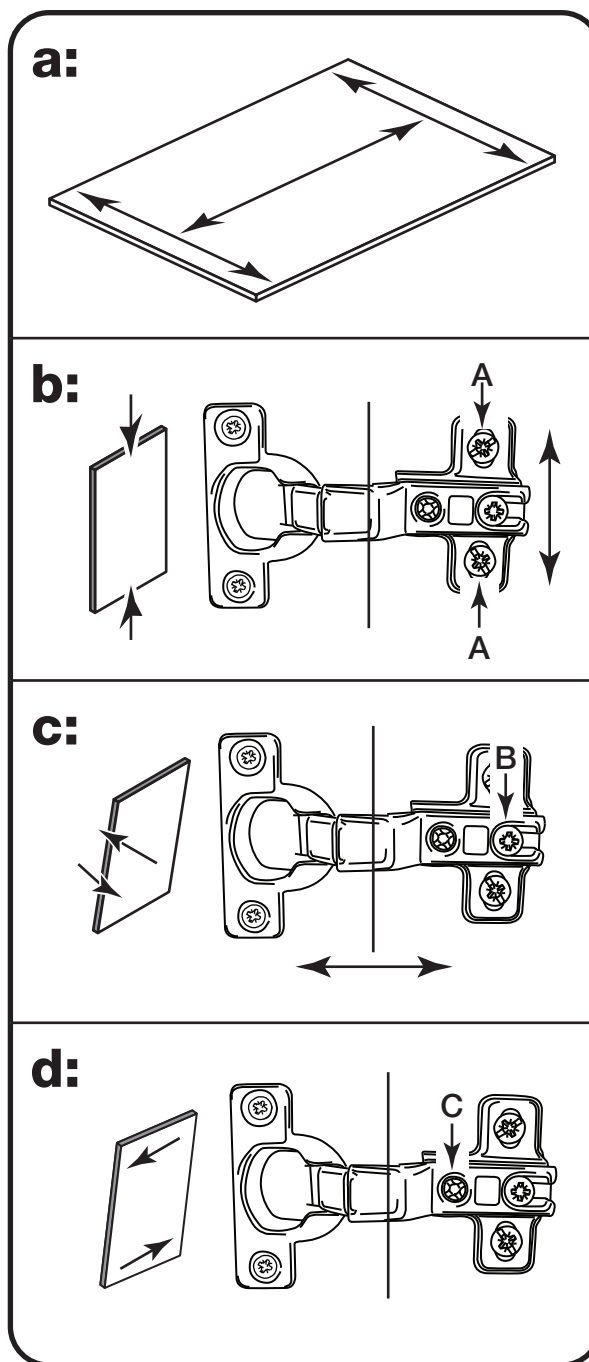
Loosen screw B on hinge plate and move door in or out as required.

Retighten screw B.

### **d:** Sideways adjustment.

To move door 'out' loosen screw C.

To move door 'in' tighten screw C.



# Assembly Instructions

## Step 15

### Attach bracket to top

To prevent possible overbalancing, we recommend that this unit is secured to a suitable wall by use of the bracket **K** fitted to the top of the unit.

Fixings are not supplied, as they will need to suit the wall type and the length of screw will depend on the distance from the back of the unit to the wall.

Fit the bracket **K** loosely onto the top of the unit, fixing screw **J** between 10 and 15mm in from the back edge, and mark the wall for the wall fixing.

Swivel the bracket **K** away from the wall and drill a hole in the wall using a suitable drill bit and fit your wall fixing.

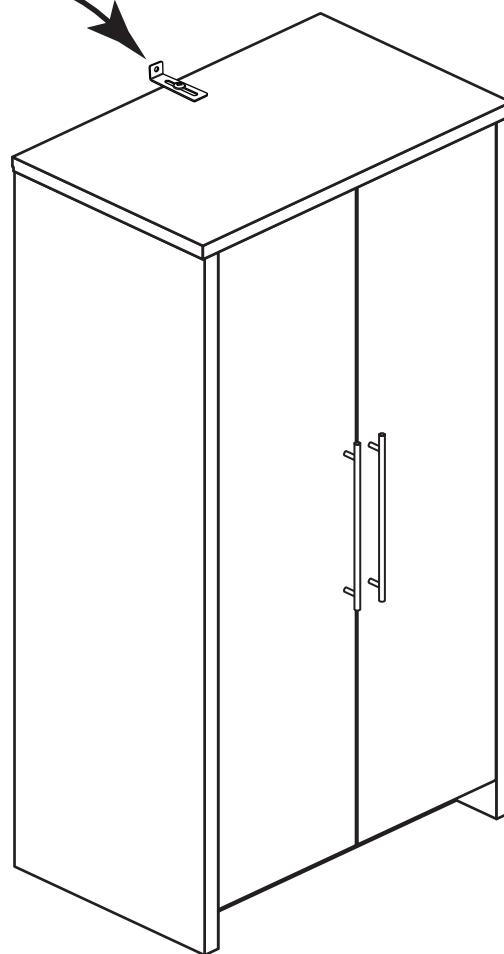
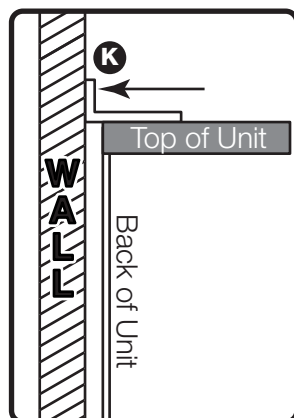
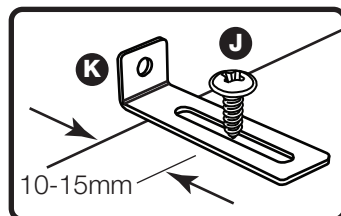
Swivel the bracket **K** back and fix the bracket to the wall, then tighten Screw **J**.

**Note:** Take care when drilling the wall that you do not drill into any pipes, wires etc. If in doubt, consult an expert.



**Warning:** The robe is heavy. Lift with care.

### Assembly is complete



If you need help or have damaged or missing parts, call the Customer Helpline: 08456 400800 and quote the reference numbers on the component pages.

Argos Ltd, 489-499 Avebury Boulevard, Central Milton Keynes, MK9 2NW





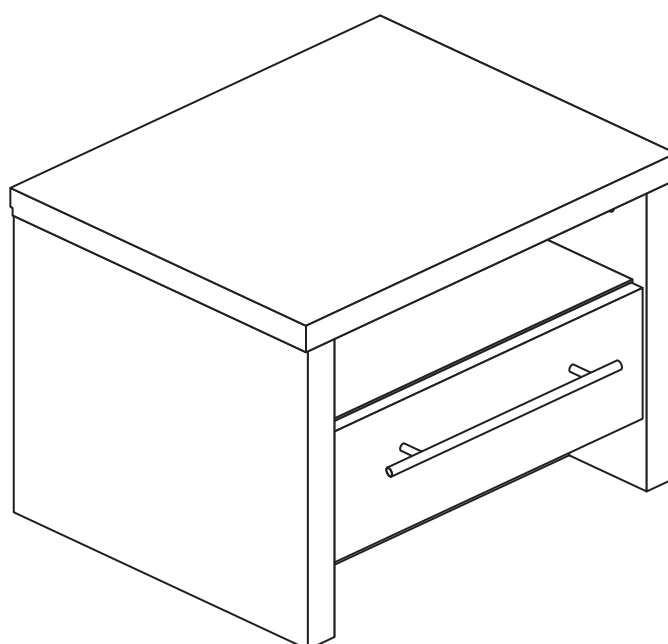


# Camden - Bedside

Assembly Instructions - Please keep for future reference

248/4277

268/8860



## Dimensions

Width - 49cm

Depth - 39cm

Height - 43cm



**MADE IN  
BRITAIN**

**Important** - Please read these instructions fully before starting assembly

If you need help or have damaged or missing parts, call the **Customer Helpline: 08456 400800**



# Safety and Care Advice

**Important - Please read these instructions fully before starting assembly**

- **Warning:** This unit weighs approximately 11kgs. Please lift with care.

- Check you have all the components and tools listed on pages 2 and 3.

- Remove all fittings from the plastic bags and separate them into their groups.

- Keep children and animals away from the work area, small parts could choke if swallowed.

- Make sure you have enough space to layout the parts before starting.

- Do not stand or put weight on the product, this could cause damage.

- Assemble the item as close to its final position (in the same room) as possible.

- Assemble on a soft level surface to avoid damaging the unit or your floor (use opened out unit carton).



- We do not recommend the use of power drill/drivers **for inserting screws**, as this could damage the unit. Only use hand screwdrivers.

- **Safety note:** If there is any chance of this unit being pulled over by children etc. it is recommended that the unit is secured to a wall using suitable fixings (not supplied).

- Dispose of all packaging carefully and responsibly.

## Care and maintenance

- Only clean using a damp cloth and mild detergent, do not use bleach or abrasive cleaners.

- From time to time check that there are no loose screws on this unit.

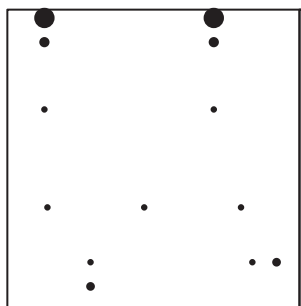
- This product should not be discarded with household waste. Take to your local authority waste disposal centre.

**Note:** If required the next page can be cut out and used as reference throughout the assembly. Keep this page with these instructions for future reference.

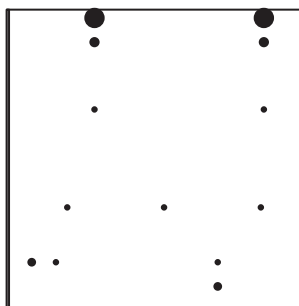
# Components - Panels

If you have damaged or missing components, call the **Customer Helpline: 08456 400800** quoting the reference numbers below

Please check you have all the panels listed below



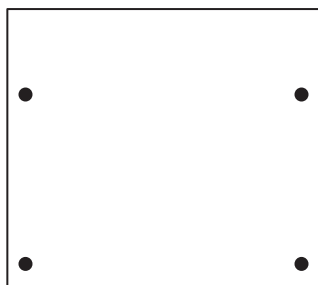
**1** Left Side (D1986B)  
(396 x 389mm)



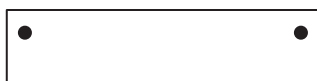
**2** Right Side (D1987B)  
(396 x 389mm)



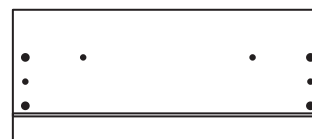
**3** Top (D1985A)  
(489 x 391mm)



**4** Horizontal (D1990A)  
(413 x 367mm)



**5** Plinth (D1988A)  
(413 x 96mm) x 2



**6** Drawer Front (D1989A)  
(410 x 173mm)



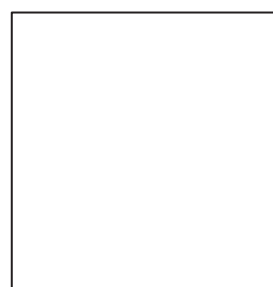
**7** Left Drawer Side (W350-124LH)  
(350 x 124mm)



**8** Right Drawer Side (W350-124RH)  
(350 x 124mm)



**9** Drawer Back (W362-124)  
(362 x 124mm)



**10** Drawer Base (T372-347)  
(372 x 347mm)



**11** Back (X432-350)  
(432 x 350mm)

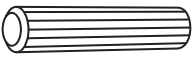
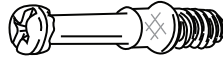
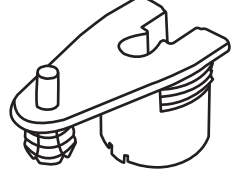
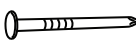




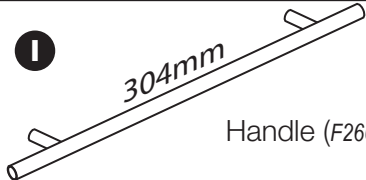





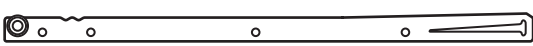
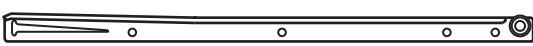



# Components - Fittings

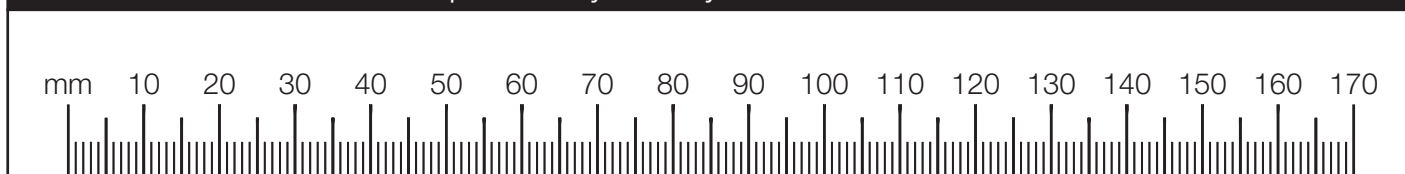
If you have damaged or missing components, call the **Customer Helpline: 08456 400800** quoting the reference numbers below

Please check you have all the fittings listed below

**Note:** The quantities below are the correct amount to complete the assembly. In some cases more fittings may be supplied than are required.

<p><b>A</b> </p> <p>Wooden dowel (F22) x 4</p>	<p><b>B</b> </p> <p>Metal dowel (F901) x 10</p>	<p><b>C</b> </p> <p>Hollow core locking nut (F892) x 4</p>
<p><b>D</b> </p> <p>Nail (F51) x 11</p>	<p><b>E</b> </p> <p>Large locking nut (F900) x 8</p>	<p><b>F</b> </p> <p>Small locking nut (F3) x 2</p>
<p><b>G</b> </p> <p>Small metal dowel (F893) x 4</p>	<p><b>H</b> </p> <p>19mm Screw (F461) x 2</p>	<p><b>I</b> </p> <p>304mm Handle (F266) x 1</p>
<p><b>J</b> </p> <p>13mm Screw (F63) x 6</p>	<p><b>K</b> </p> <p>13mm Screw (F52) x 6</p>	<p><b>L</b> </p> <p>Knock-in Peg (F171) x 4</p>
<p><b>M a</b>  L Runner (F159) x 1</p> <p><b>M b</b>  R Runner (F160) x 1</p> <p><b>M c</b>  L Runner (F161) x 1</p> <p><b>M d</b>  R Runner (F162) x 1</p>		<p><b>N</b> </p> <p>Wedgefix (F639) x 4</p>

Ruler - Use this ruler to help correctly identify the screws



# Assembly Instructions

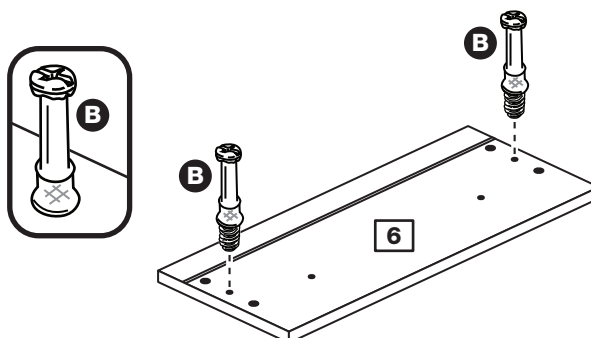
If you have damaged or missing components, call the  
**Customer Helpline: 08456 400800** quoting the reference  
numbers below

## Step 1

### Prepare the drawer front

Screw 2 metal dowels **B** into the drawer front **6**.

**Note:** Tighten the metal dowels up fully against the panels.



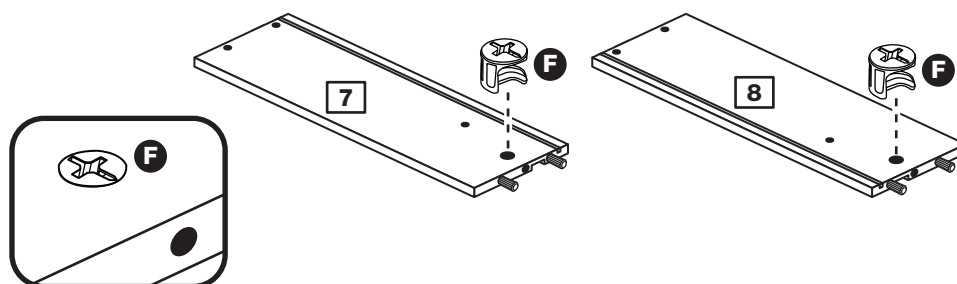
## Step 2

### Prepare the drawer sides

Insert a small locking nut **F** into the hole shown on the left drawer side **7** and right drawer side **8**.

**Note:** The arrow on the locking nut **must** point towards the hole in the edge of the panel.

**Note:** Due to the manufacturing process, the holes for the locking nut can be on either surface of the drawer sides.



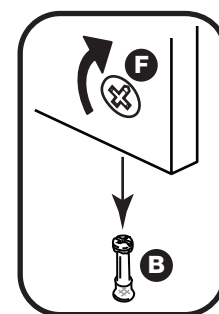
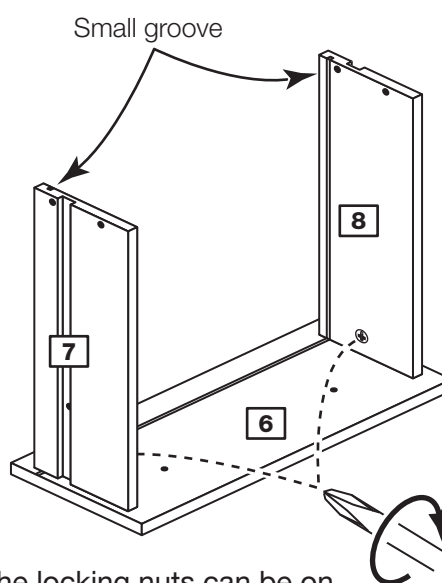
## Step 3

### Attach the drawer sides to the drawer front

Push the left drawer side **7** and right drawer side **8** onto the back of the drawer front **6**.

Turn the small locking nuts **F** on the left drawer side **7** and right drawer side **8**.

**Note:** Turn the locking nuts **F** clockwise to secure panels - more than 1/2 a turn.



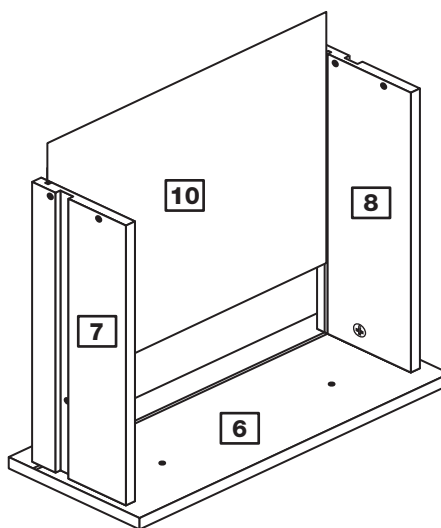
**Note:** The locking nuts can be on either surface of the drawer sides. Make sure that the small groove is on the inside, as shown.

# Assembly Instructions

## Step 4

### Fit the drawer base

Slide the drawer base **10** down the grooves in the drawer sides **7** and **8** and down into the groove in the drawer front **6**.



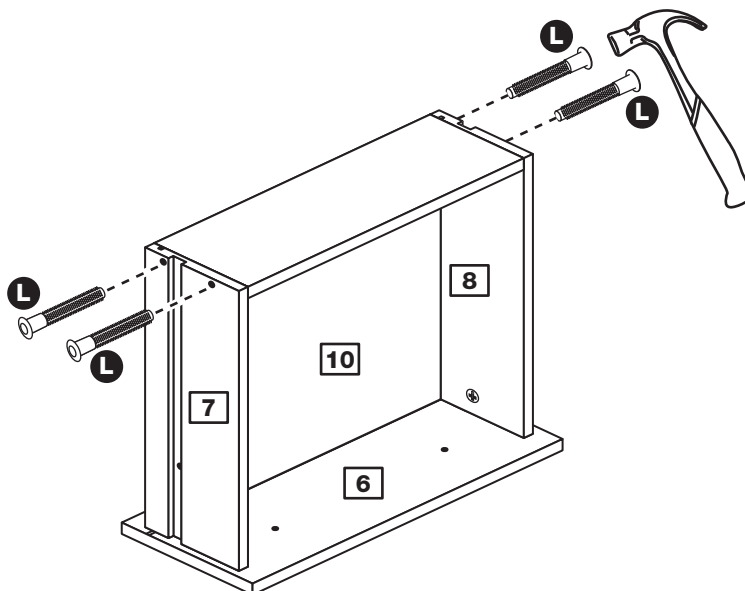
## Step 5

### Fit the drawer back

Fit the drawer back **9** between the drawer sides **7** and **8**.

Make sure that the drawer base **10** fits into the groove in the drawer back **9**.

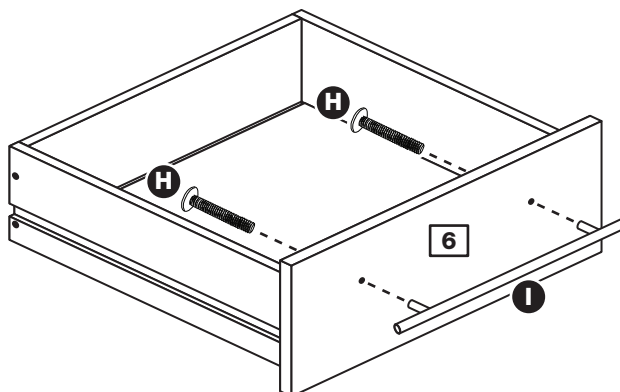
Hold the drawer back **9** in position and tap the knock-in pegs **L** through the holes in the drawer sides **7** and **8**.



## Step 6

### Attach the handle

Attach the handle **I** to the drawer front **6** using 2 screws **H**.



# Assembly Instructions

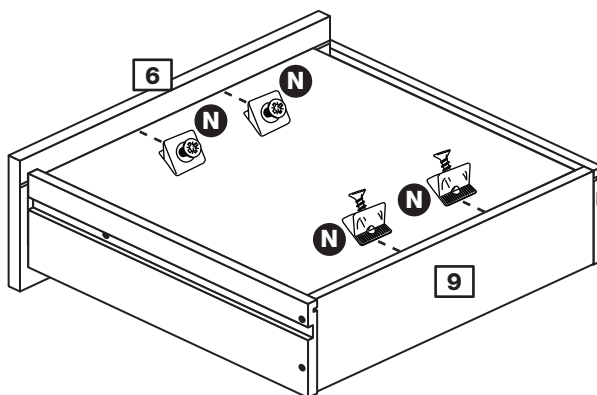
## Step 7

### Fit the wedgfixes

Turn the drawer assembly over and fit the 4 wedgfixes **N**.

Slide 2 wedgfixes **N** into the small groove located on the back of the drawer front **6** and 2 wedgfixes **N** into the small groove in the drawer back **9**.

Once in place, tighten up the screws in the wedgfixes **N**.



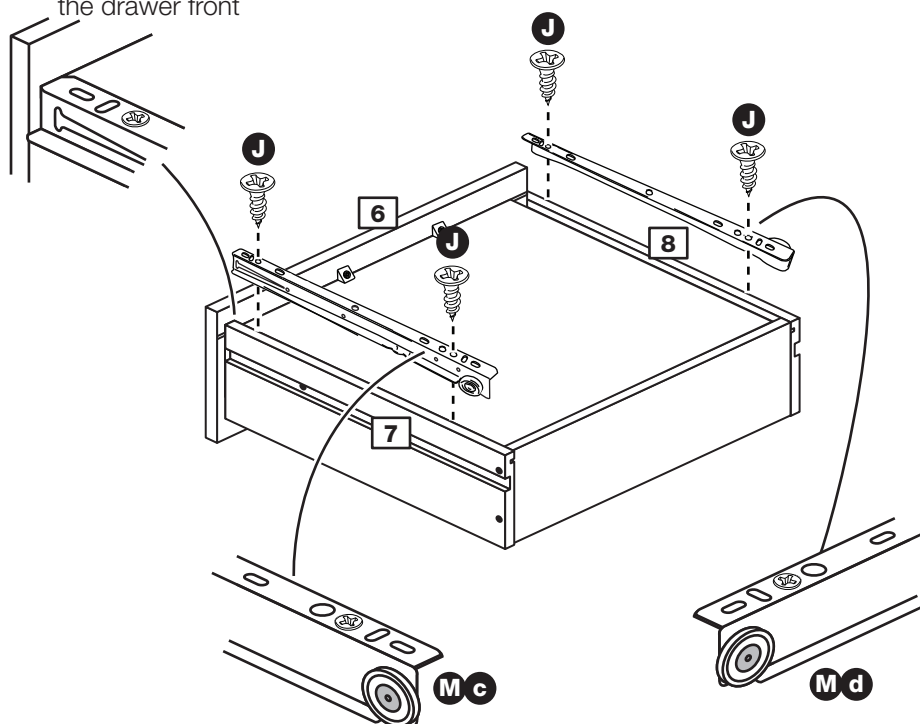
## Step 8

### Fit runners to the drawer

Fit the runner **M c** to the bottom edge of the left drawer side **7**, as shown, making sure that it is pushed up against the back of the drawer front **6**. Use a bradawl to mark the fixing positions, then secure with 2 screws **J**.

Fit the runner **M d** to the bottom edge of the right drawer side **8** using the same method.

Runners must be pushed up against the drawer front



# Assembly Instructions

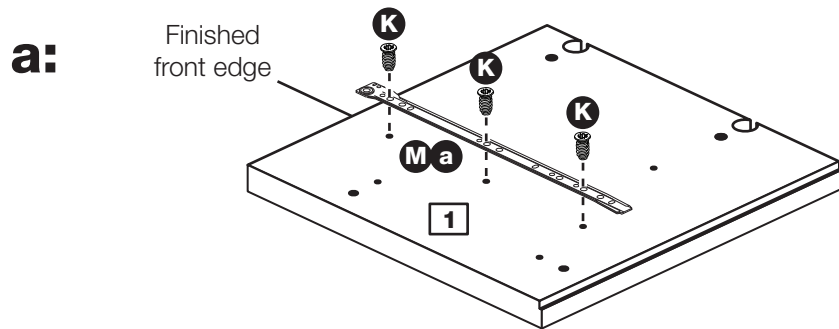
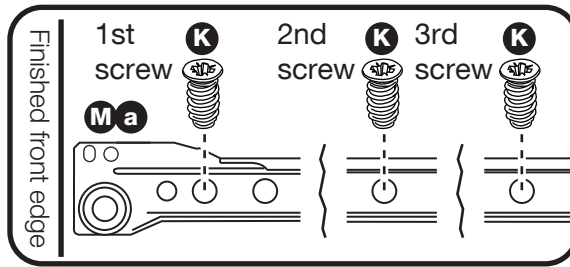
## Step 9

### Prepare the left side

**a:** Fit the runner **Ma** to the left side **1**.

The 1st screw **K** uses the 2nd hole in from the front of the runner **Ma**.

The 2nd and 3rd screw **K** use the holes that line up with the other panel holes.



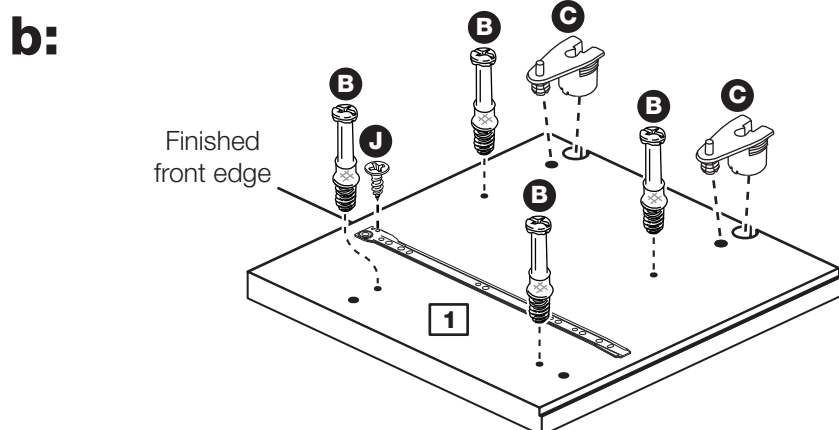
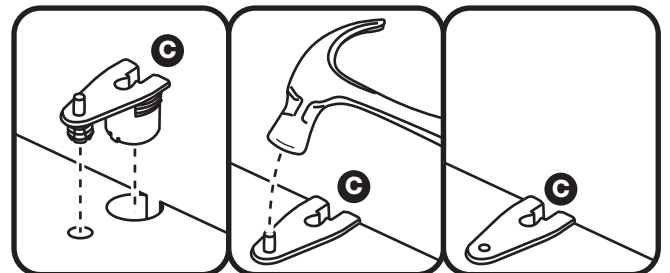
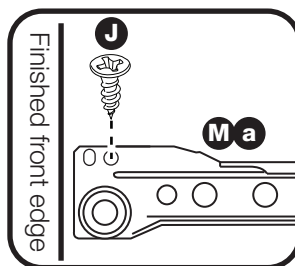
**b:** Fit a screw **J** into the 2nd hole in at the top of the runner **Ma**.

Push 2 hollow core locking nuts **C** into the left side **1**, making sure that they are flush against the panel's surface.

Using a hammer, tap in the pin on the hollow core locking nut **C**.

**Note:** The pin should be tapped in flush with the top surface of the hollow core locking nut **C**.

Screw 4 metal dowels **B** into the holes on the left side **1**.





# Assembly Instructions

## Step 10

### Prepare the right side

**a:** Fit the runner **M b** to the right side **2**.

The 1st screw **K** uses the 2nd hole in from the front of the runner **M b**.

The 2nd and 3rd screw **K** use the holes that line up with the other panel holes.

**b:** Fit a screw **J** into the 2nd hole in at the top of the runner **M b**.

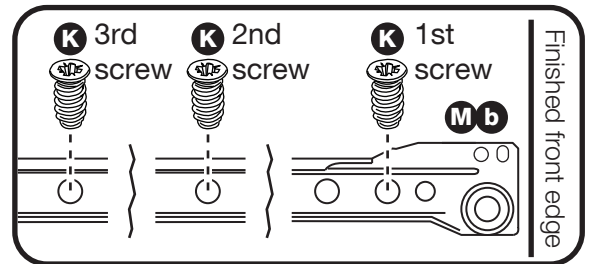
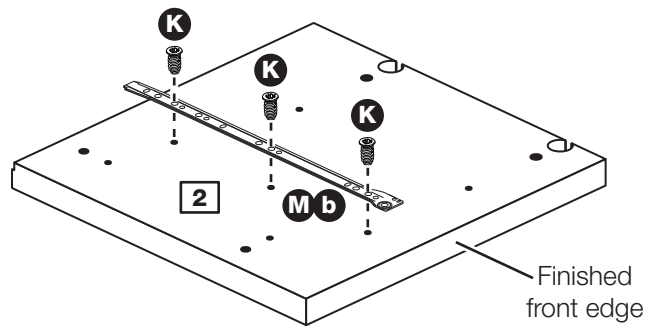
Push 2 hollow core locking nuts **C** into the right side **2**, making sure that they are flush against the panel's surface.

Using a hammer, tap in the pin on the hollow core locking nut **C**.

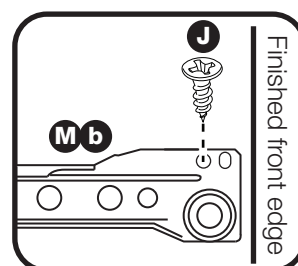
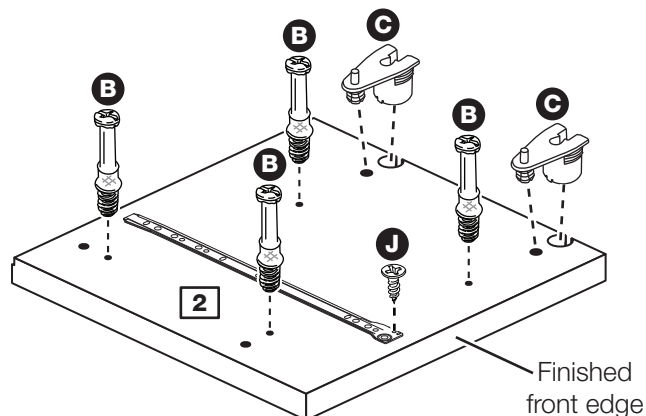
**Note:** The pin should be tapped in flush with the top surface of the hollow core locking nut **C**.

Screw 4 metal dowels **B** into the holes on the right side **2**.

**a:**



**b:**



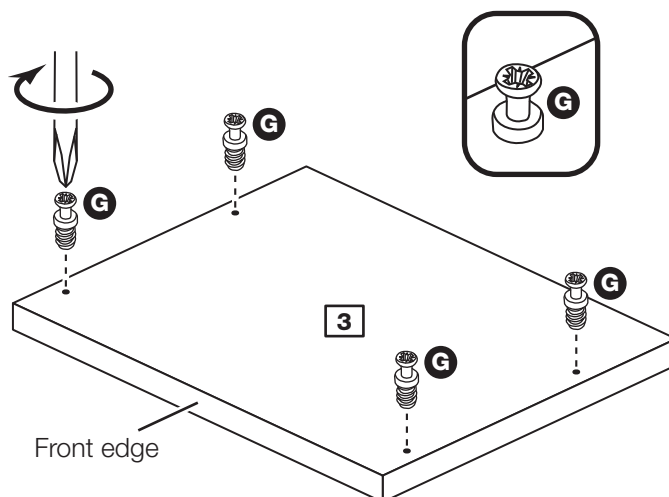
# Assembly Instructions

## Step 11

### Prepare the top

Screw 4 small metal dowels **G** into the holes on the top **3**.

**Note:** Tighten metal dowels up fully against the panels.



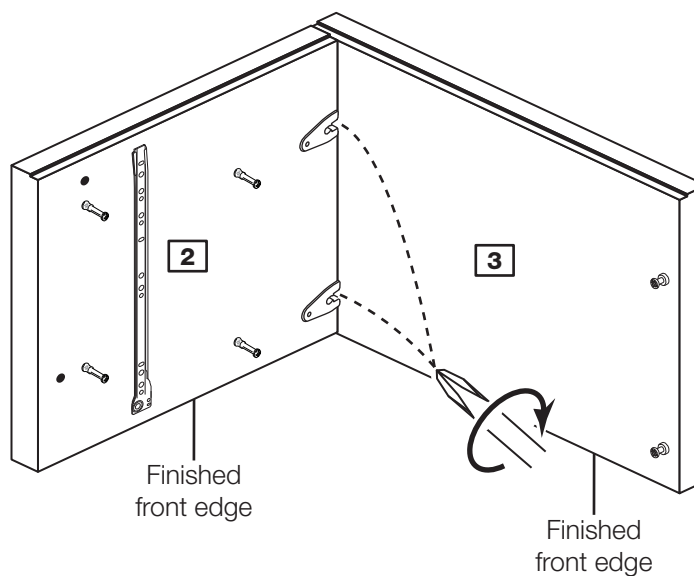
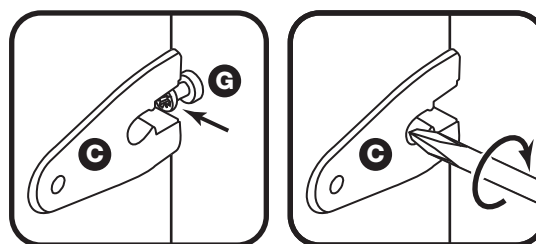
## Step 12

### Fit the top to the right side

Attach the top **3** to the right side **2**.

**Note:** You will need to slide the 2 small metal dowels **G** into the top of the 2 hollow core locking nuts **C**.

Insert a screwdriver into the 2 hollow core locking nuts **C** and turn the nuts inside as far as they will go.



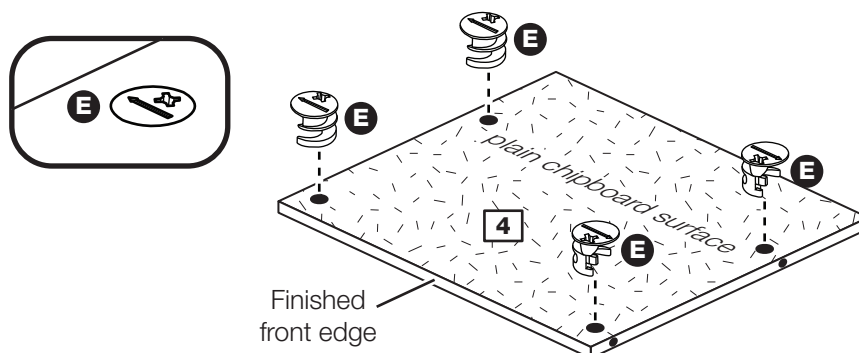
# Assembly Instructions

## Step 13

### Prepare the horizontal

Insert 4 large locking nuts **E** into the horizontal **4**.

**Note:** The arrow on the locking nuts **must** point towards the hole in the edge of the panel.



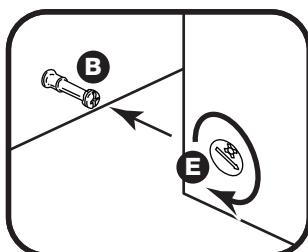
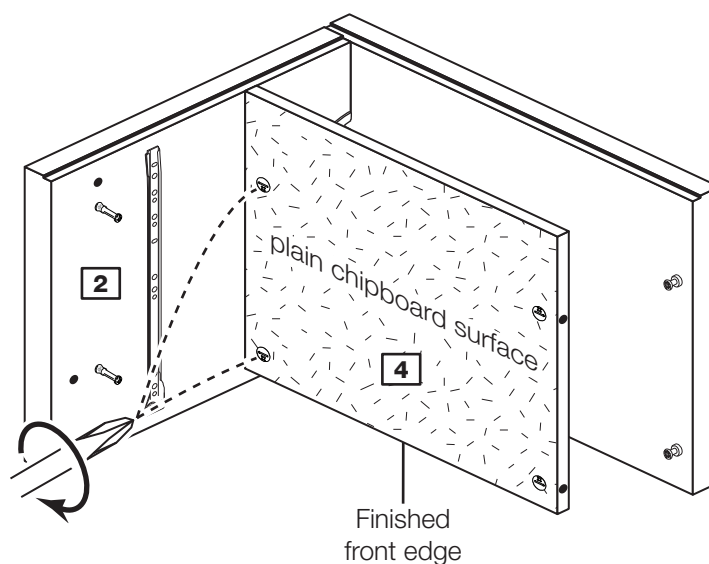
## Step 14

### Fit the horizontal

Push the horizontal **4** onto the right side **2**.

Use a screwdriver to tighten the 2 large locking nuts **E** fitted to the horizontal **4**.

**Note:** Turn the large locking nuts **E** as far as they will go - more than 1/2 a turn.



# Assembly Instructions

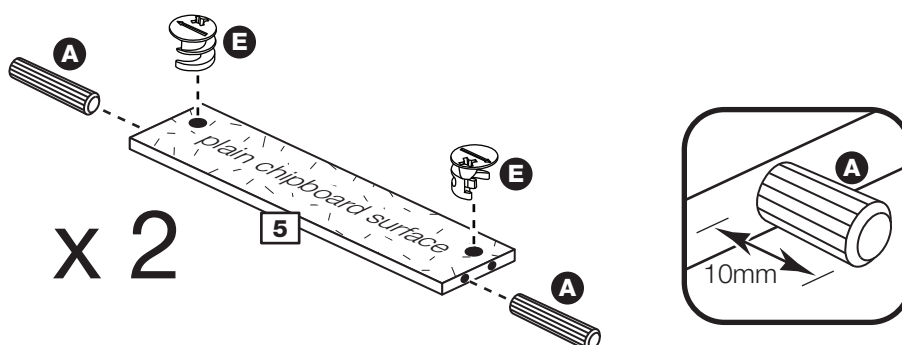
## Step 15

### Prepare the 2 plinths

Tap 2 wooden dowels **A** into each of the 2 plinths **5**.

**Note:** Wooden dowels **must not** stick out from the edge by more than 10mm or they may damage other panels.

Insert 2 large locking nuts **E** into each plinth.



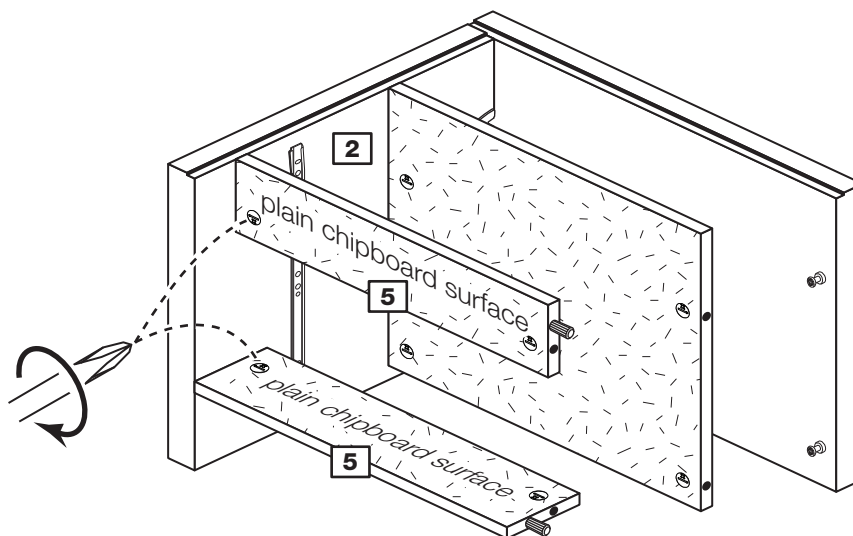
## Step 16

### Fit the 2 plinths

**2 people are needed here**

One at a time, attach each of the 2 plinths **5** onto the right side **2** as shown. Use a screwdriver to tighten the 2 large locking nuts **E** fitted to the plinths.

**Note:** Turn the large locking nuts **E** as far as they will go - more than 1/2 a turn,



**Note:** Support the plinths until the left side has been fitted in the next step.

# Assembly Instructions

## Step 17

### Fit the left side

**2 people are needed here**

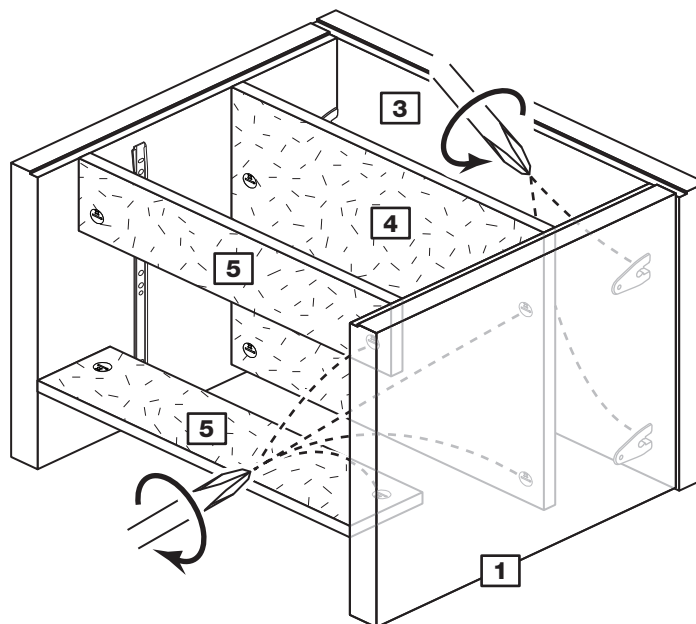
Push the left side **1** onto the assembly.

**Note:** You will need to slide the 2 small metal dowels **G** fitted to the top **3** into the top of the 2 hollow core locking nuts **C**.

Insert a screwdriver into the 2 hollow core locking nuts **C** and turn the nuts inside as far as they will go.

Use a screwdriver to tighten the 4 large locking nuts **E** fitted to the horizontal **4** and the 2 plinths **5**.

**Note:** Turn the large locking nuts **E** as far as they will go - more than 1/2 a turn.



# Assembly Instructions

## Step 18

### Fit the back

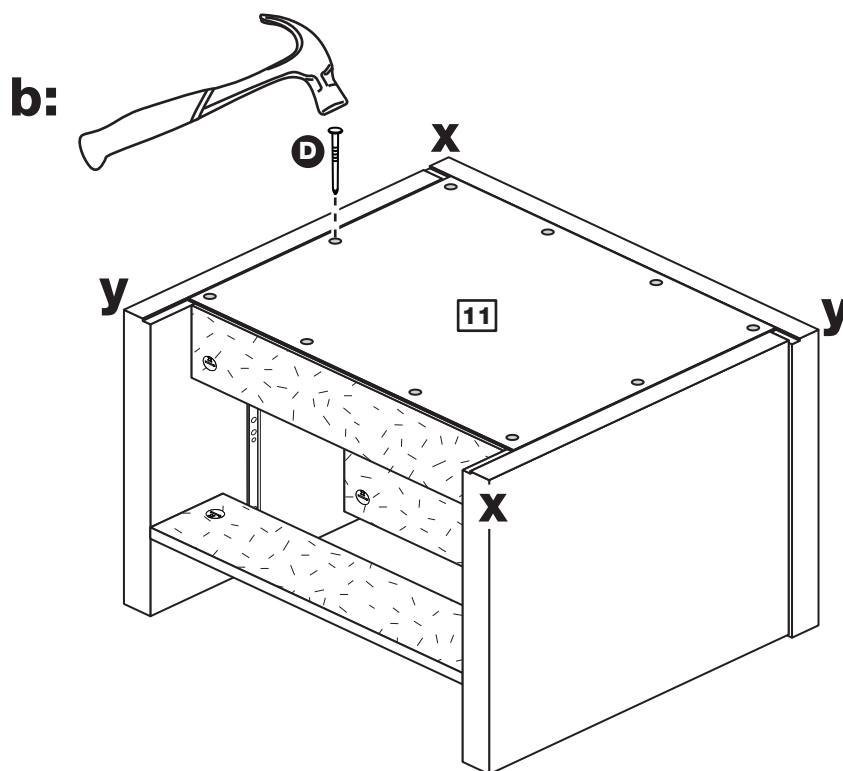
**a:** Square up the unit by making sure that measurement **x to x** equals **y to y**.

**b:** Place the back **11** onto the unit.

Nail **D** around the outside edges of the back **11**.

**Stand the unit up for the next step.**

**a:** The measurement from top corner X to bottom corner X must be equal to the measurement from top corner Y to bottom corner Y

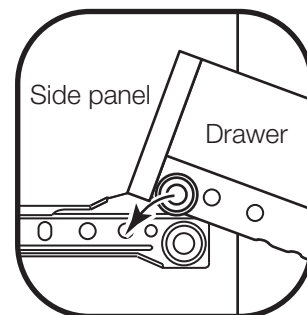
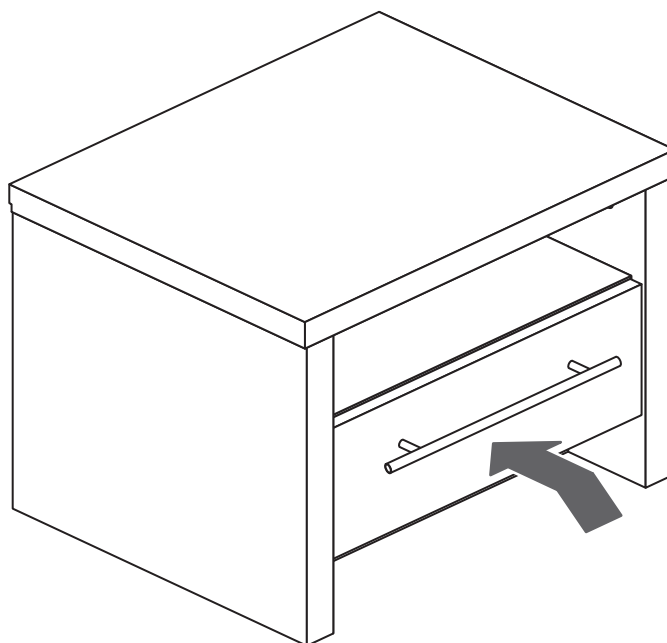


## Step 19

### Fit the drawers

Slide the wheels of the runners fitted to the drawers, over the wheels of the runners fitted to the side panels and push the drawers into position.

**Assembly is complete**



If you need help or have damaged or missing parts, call the Customer Helpline: 08456 400800 and quote the reference numbers on the component pages.

Argos Ltd, 489-499 Avebury Boulevard, Central Milton Keynes, MK9 2NW





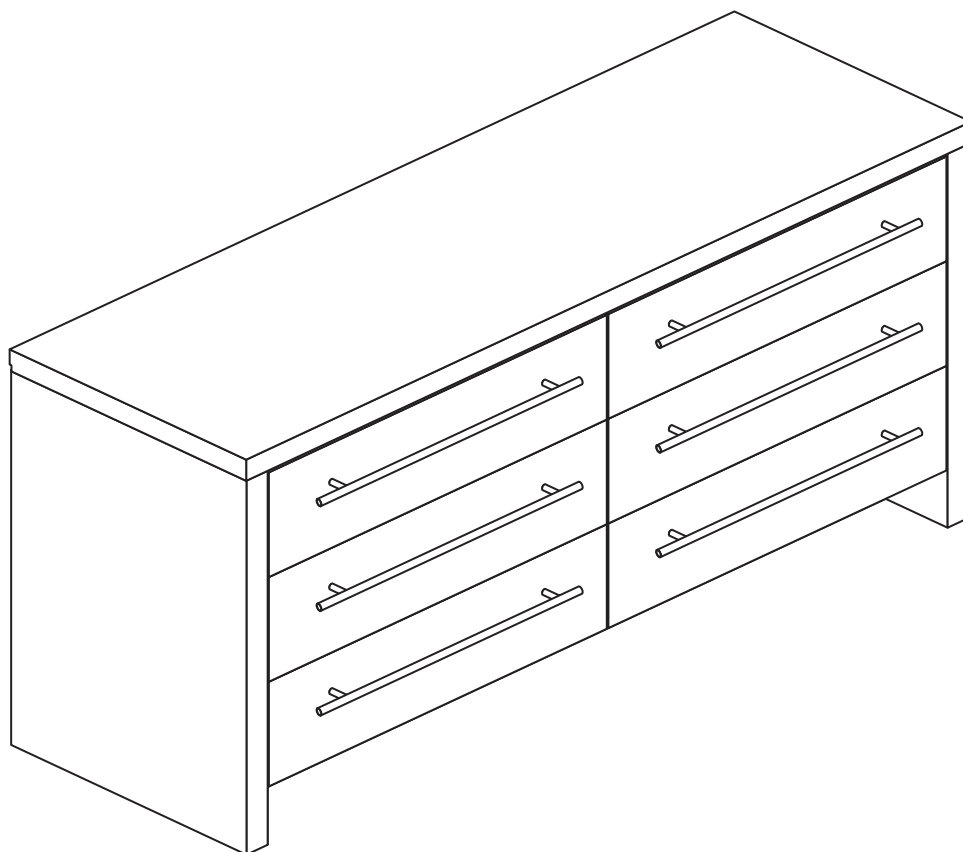


# Camden - 3+3 Drawer Chest

Assembly Instructions - Please keep for future reference

239/3870

249/2221



## Dimensions

Width - 120cm

Depth - 39cm

Height - 65.5cm



**MADE IN  
BRITAIN**

**Important** - Please read these instructions fully before starting assembly

If you need help or have damaged or missing parts, call the **Customer Helpline: 08456 400800**



# Safety and Care Advice

**Important - Please read these instructions fully before starting assembly**

- **Warning:** This unit weighs approximately 36kgs. Please lift with care.

- Check you have all the components and tools listed on pages 2 and 3.

- Remove all fittings from the plastic bags and separate them into their groups.

- Keep children and animals away from the work area, small parts could choke if swallowed.

- Parts of the assembly will be easier with 2 people.

- Make sure you have enough space to layout the parts before starting.

- Do not stand or put weight on the product, this could cause damage.

- Assemble the item as close to its final position (in the same room) as possible.

- Assemble on a soft level surface to avoid damaging the unit or your floor (use opened out unit carton).



- We do not recommend the use of power drill/drivers **for inserting screws**, as this could damage the unit. Only use hand screwdrivers.

- **Safety note:** It is recommended that this unit is secured to a wall using the bracket supplied.

- Dispose of all packaging carefully and responsibly.

## Care and maintenance

- Only clean using a damp cloth and mild detergent, do not use bleach or abrasive cleaners.

- From time to time check that there are no loose screws on this unit.

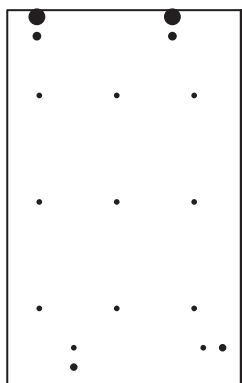
- This product should not be discarded with household waste. Take to your local authority waste disposal centre.

**Note:** If required the next page can be cut out and used as reference throughout the assembly. Keep this page with these instructions for future reference.

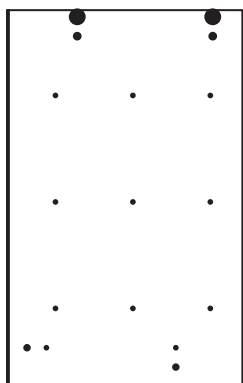
# Components - Panels

If you have damaged or missing components, call the **Customer Helpline: 08456 400800** quoting the reference numbers below

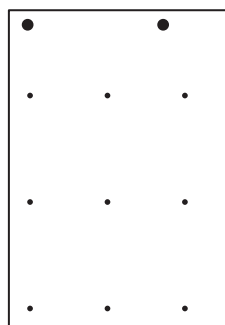
Please check you have all the panels listed below



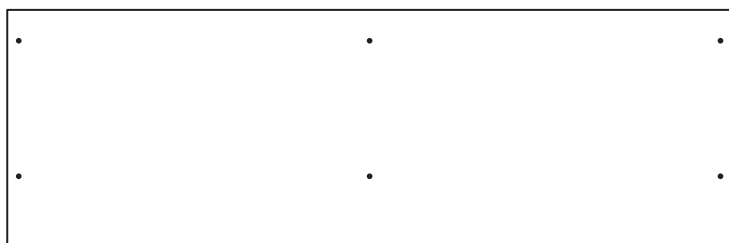
**1** Left Side (D1996A)  
(620 x 389mm)



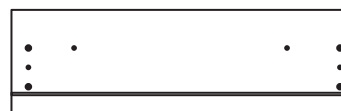
**2** Right Side (D1997A)  
(620 x 389mm)



**3** Divider (D1999A)  
(524 x 368mm)



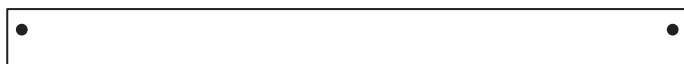
**4** Top (D2002A)  
(1198 x 391mm)



**6** Left Drawer Front (D2000A)  
(559 x 173mm) x 3



**7** Right Drawer Front (D2001A)  
(559 x 173mm) x 3



**5** Plinth (D1998A)  
(1124 x 96mm) x 2



**8** Left Drawer Side (W350-124LH)  
(350 x 124mm) x 6



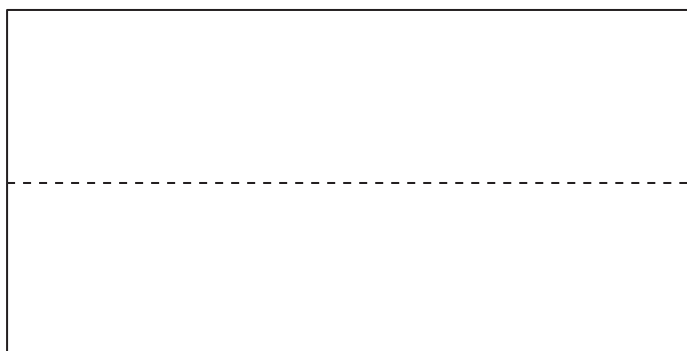
**9** Right Drawer Side (W350-124RH)  
(350 x 124mm) x 6



**10** Drawer Back (W502-124)  
(502 x 124mm) x 6



**11** Drawer Base (T513-347)  
(513 x 347mm) x 6



**12** Back (X944)  
(1142 x 572mm)


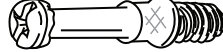
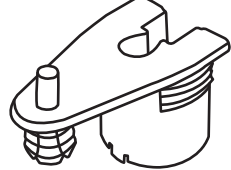
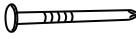




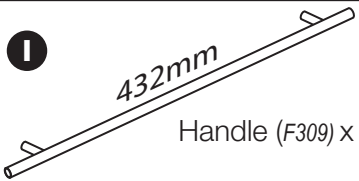




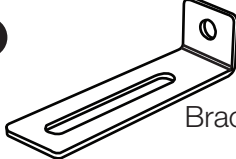



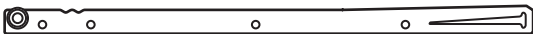



# Components - Fittings

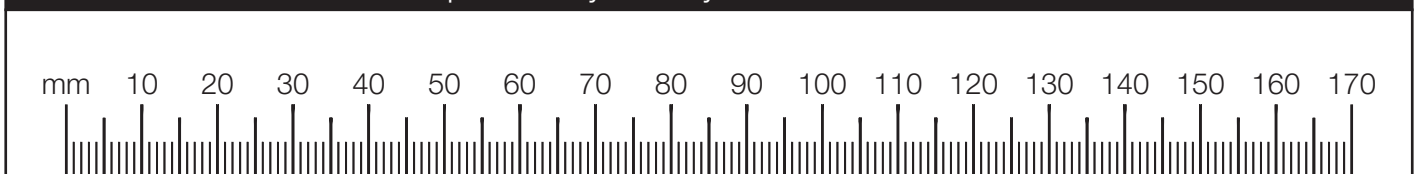
If you have damaged or missing components, call the **Customer Helpline: 08456 400800** quoting the reference numbers below

Please check you have all the fittings listed below

**Note:** The quantities below are the correct amount to complete the assembly. In some cases more fittings may be supplied than are required.

<p><b>A</b> </p> <p>Wooden dowel (F22) x 4</p>	<p><b>B</b> </p> <p>Metal dowel (F901) x 18</p>	<p><b>C</b> </p> <p>Hollow core locking nut (F892) x 4</p>
<p><b>D</b> </p> <p>Nail (F51) x 23</p>	<p><b>E</b> </p> <p>Large locking nut (F900) x 6</p>	<p><b>F</b> </p> <p>Small locking nut (F3) x 12</p>
<p><b>G</b> </p> <p>Small metal dowel (F893) x 4</p>	<p><b>H</b> </p> <p>19mm Screw (F461) x 12</p>	<p><b>I</b> </p> <p>432mm Handle (F309) x 6</p>
<p><b>J</b> </p> <p>13mm Screw (F63) x 36</p>	<p><b>K</b> </p> <p>13mm Screw (F52) x 36</p>	<p><b>L</b> </p> <p>Knock-in Peg (F171) x 24</p>
<p><b>M</b> </p> <p>13mm Screw (F79) x 1</p>	<p><b>N</b> </p> <p>Bracket (F327) x 1</p>	<p><b>O</b> </p> <p>Wedgefix (F639) x 24</p>
<p><b>P a</b>  L Runner (F159) x 6</p> <p><b>P b</b>  R Runner (F160) x 6</p> <p><b>P c</b>  L Runner (F161) x 6</p> <p><b>P d</b>  R Runner (F162) x 6</p>		

Ruler - Use this ruler to help correctly identify the screws



# Assembly Instructions

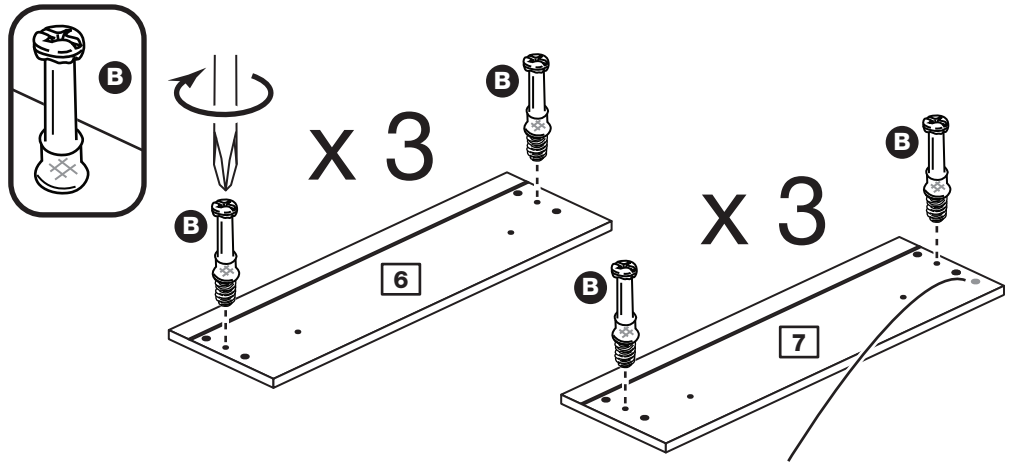
If you have damaged or missing components, call the  
**Customer Helpline: 08456 400800** quoting the reference  
numbers below

## Step 1

### Prepare the drawer fronts

Screw 2 metal dowels **B** into the left drawer fronts **6** and right drawer fronts **7**.

**Note:** Tighten the metal dowels up fully against the panels.



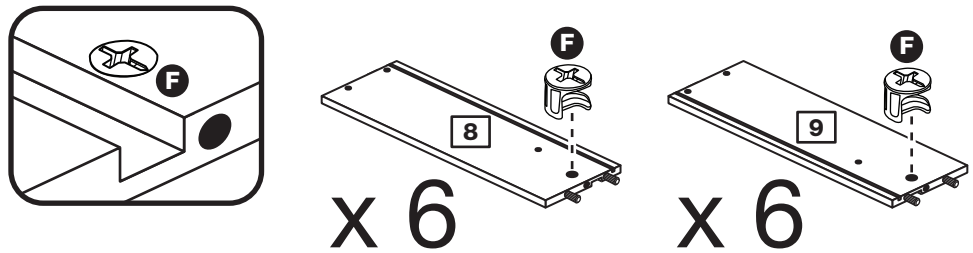
**Note:** The right drawer front has a shallow identification mark.

## Step 2

### Prepare the drawer sides

Insert a small locking nut **F** into the hole shown on the left drawer side **8** and right drawer side **9**.

**Note:** The arrow on the locking nut **must** point towards the hole in the edge of the panel.



**Note:** Due to the manufacturing process, the holes for the locking nut can be on either surface of the drawer sides.

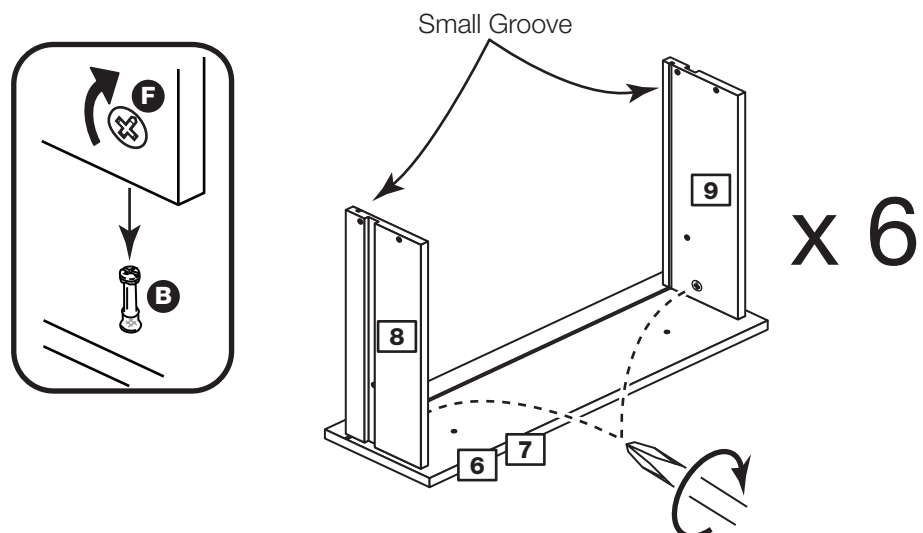
## Step 3

### Attach the drawer sides to the drawer front

Push the left drawer side **8** and right drawer side **9** onto the back of the left drawer front **6** and right drawer front **7**.

Turn the small locking nuts **F** on the left drawer side **8** and right drawer side **9**.

**Note:** Turn the locking nuts **F** clockwise to secure panels - more than 1/2 a turn.



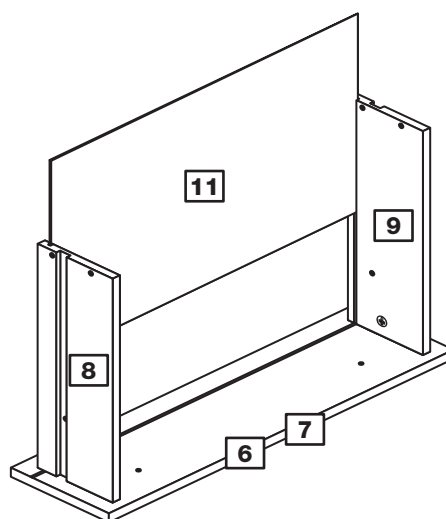
**Note:** The locking nuts can be on either surface of the drawer sides. Make sure that the small groove is on the inside, as shown.

# Assembly Instructions

## Step 4

### Fit the drawer base

Slide the drawer base **11** down the grooves in the drawer sides **8** and **9** and down into the groove in the left drawer front **6** and right drawer front **7**.



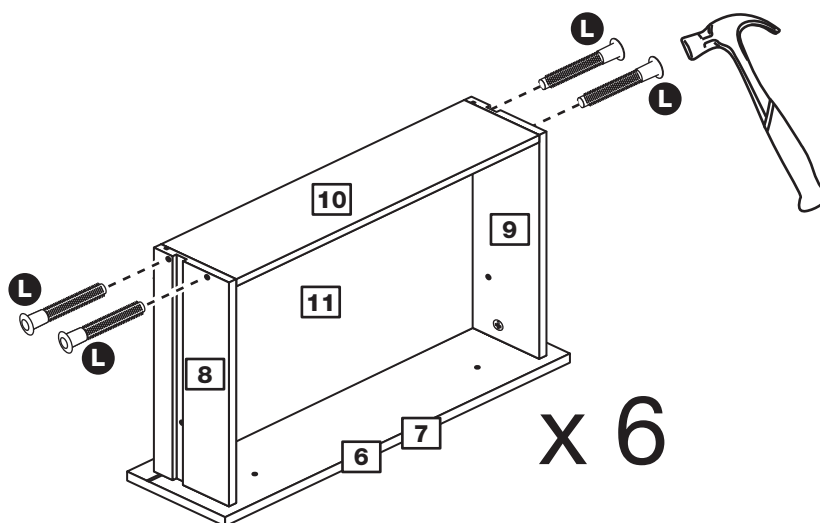
## Step 5

### Fit the drawer back

Fit the drawer back **10** between the drawer sides **8** and **9**.

Make sure that the drawer base **11** fits into the groove in the drawer back **10**.

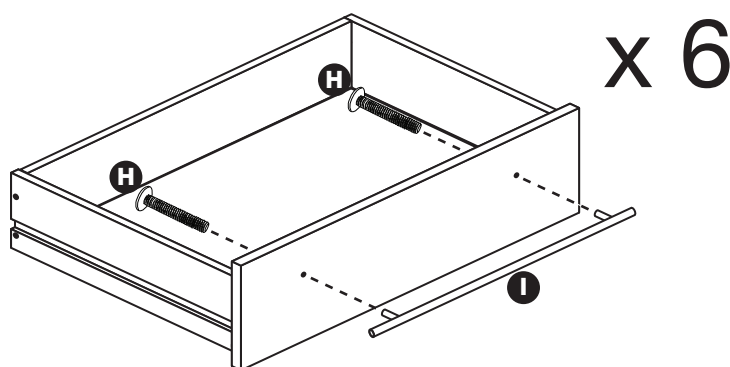
Hold the drawer back **10** in position and tap the knock-in pegs **L** through the holes in the drawer sides **8** and **9**.



## Step 6

### Attach the handles

Attach a handle **I** to each drawer front **6** and **7** using 2 screws **H**.



# Assembly Instructions

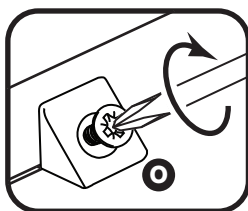
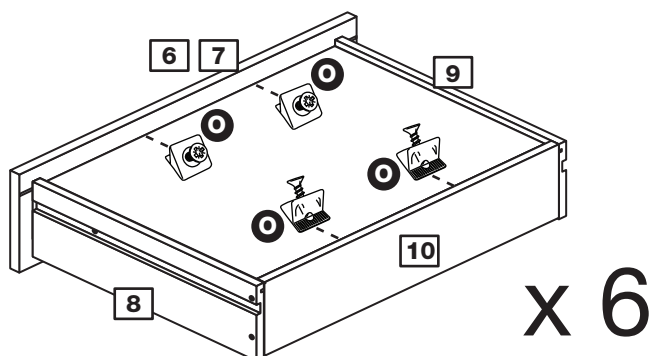
## Step 7

### Fit the wedgexes

Turn the 6 drawer assemblies over and fit 4 wedgexes **O** to each one.

Slide 2 wedgexes **O** into the small groove located on the back of the drawer front **6** and **7** and 2 wedgexes **O** into the groove in the drawer back **10**.

Once in place, tighten up the screws in the wedgexes **O**.

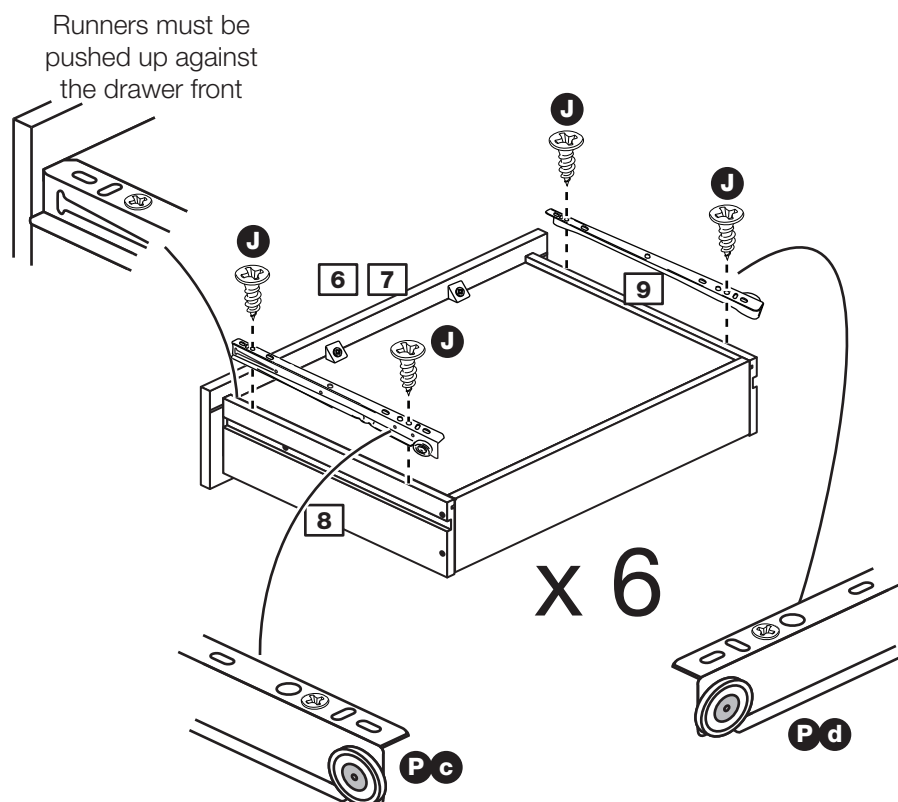


## Step 8

### Fit the runners to the drawers

Fit the runner **Pc** to the bottom edge of the left drawer side **8**, as shown, making sure that it is pushed up against the back of the drawer front **6** and **7**. Use a bradawl to mark the fixing positions, then secure with 2 screws **J**.

Fit the runner **Pd** to the bottom edge of the right drawer side **9** using the same method.



# Assembly Instructions

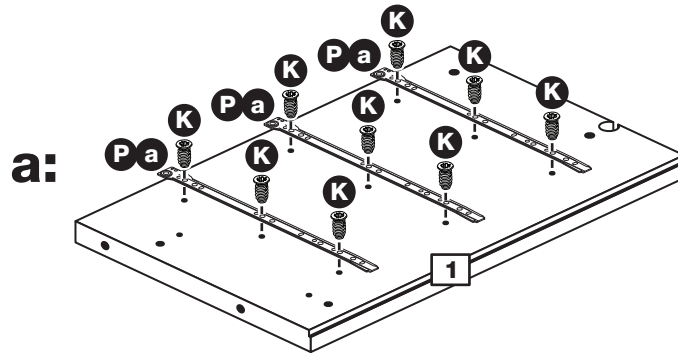
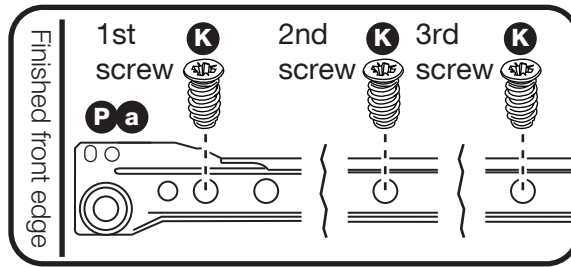
## Step 9

### Prepare the left side

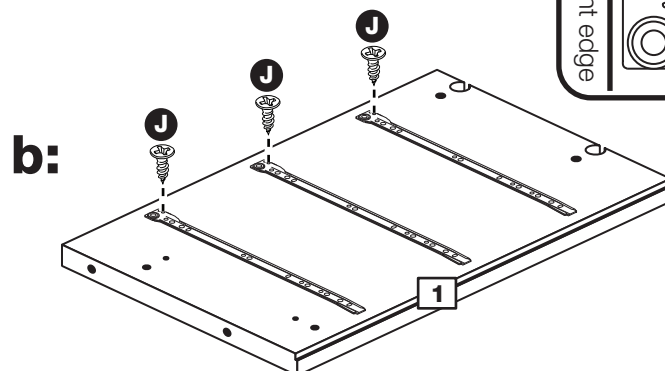
**a:** Fit 3 runners **Pa** to the left side **1**.

The 1st screw **K** uses the 2nd hole in from the front of the runner **Pa**.

The 2nd and 3rd screw **K** use the holes that line up with the other panel holes.



**b:** Fit a screw **J** into the 2nd hole in at the top of the runners **Pa**.

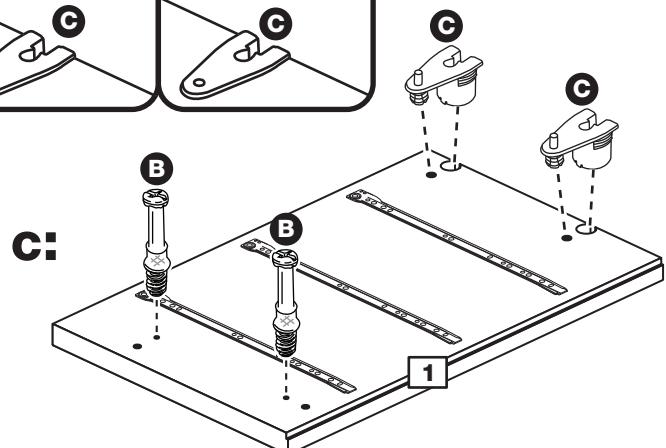
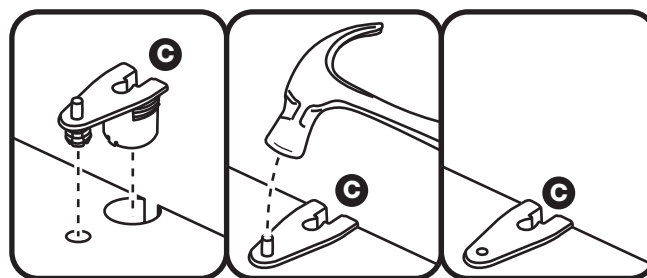


**c:** Push 2 hollow core locking nuts **C** into the left side **1**, making sure that they are flush against the panel's surface.

Using a hammer, tap in the pin on the hollow core locking nut **C**.

**Note:** The pin should be tapped in flush with the top surface of the hollow core locking nut **C**.

Screw 2 metal dowels **B** into the holes on the left side **1**.





# Assembly Instructions

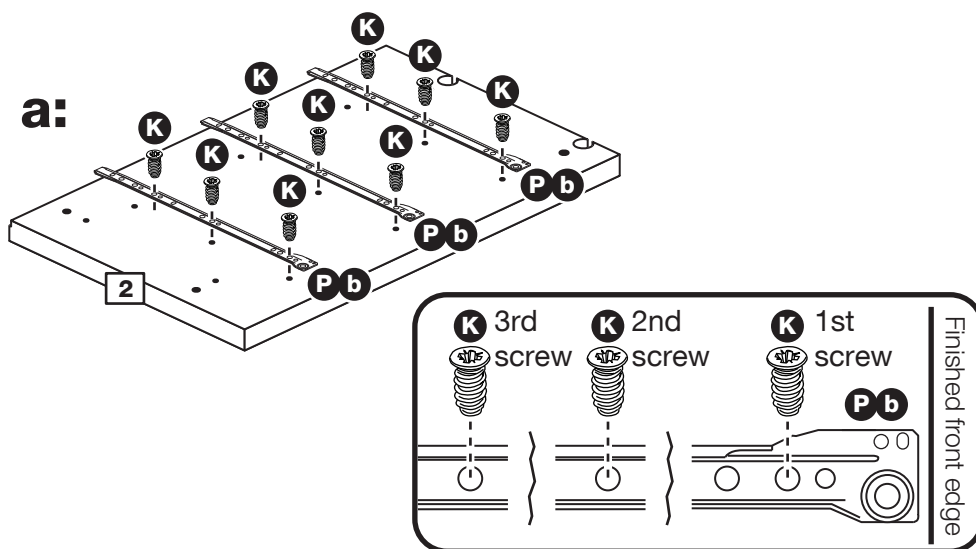
## Step 10

### Prepare the right side

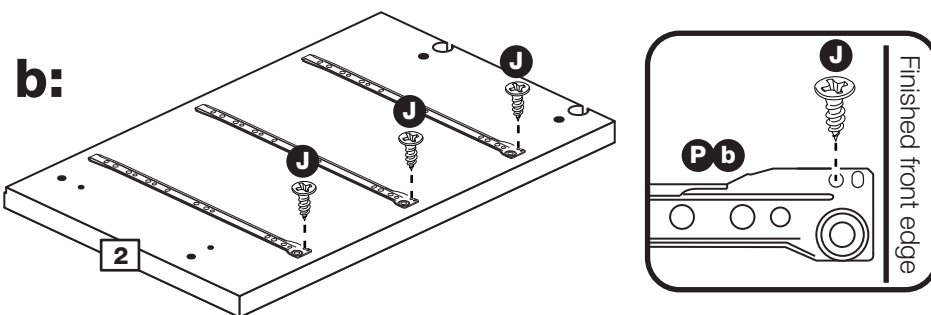
**a:** Fit 3 runners **Pb** to the right side **2**.

The 1st screw **K** uses the 2nd hole in from the front of the runner **Pb**.

The 2nd and 3rd screw **K** use the holes that line up with the other panel holes.



**b:** Fit a screw **J** into the 2nd hole at the top of the runners **Pb**.

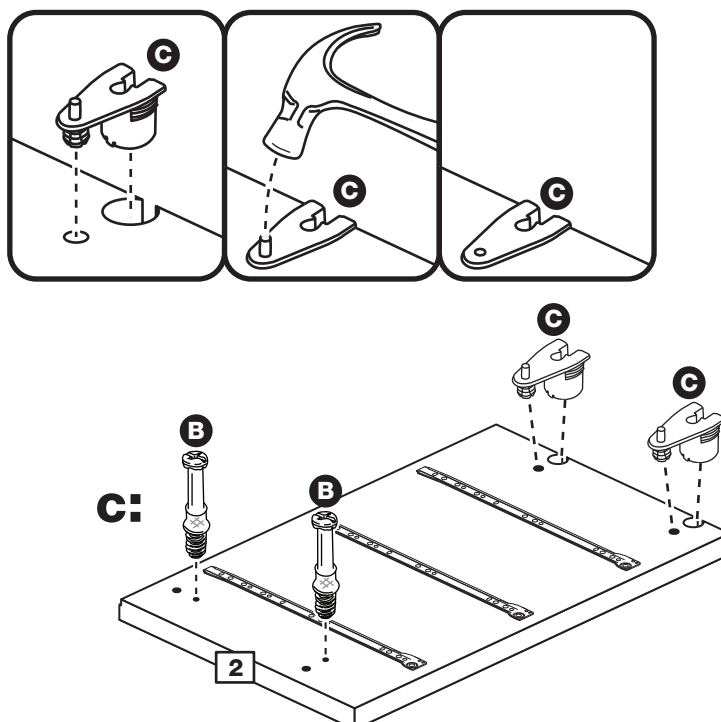


**c:** Push 2 hollow core locking nuts **C** into the right side **2**, making sure that they are flush against the panel's surface.

Using a hammer, tap in the pin on the hollow core locking nut **C**.

**Note:** The pin should be tapped in flush with the top surface of the hollow core locking nut **C**.

Screw 2 metal dowels **B** into the holes on the right side **2**.



# Assembly Instructions

## Step 11

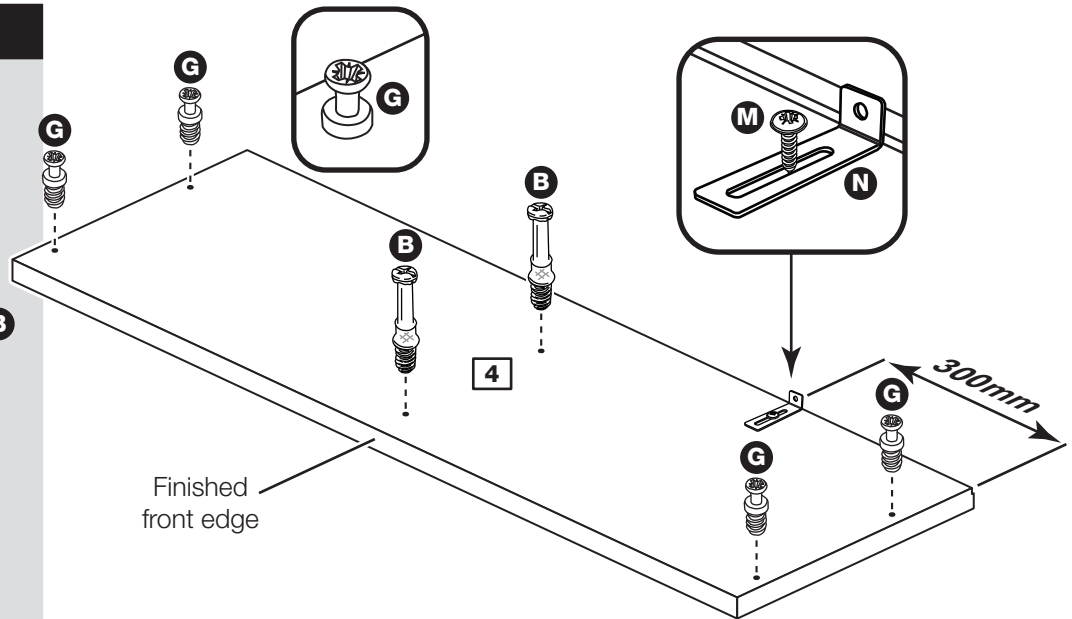
### Prepare the top

Screw 4 small metal dowels **G** into the top **4**.

Screw 2 metal dowels **B** into the top **4**.

**Note:** Tighten metal dowels up fully against the panels.

Fix the bracket **N** flush to the back edge of the top **4**, 300mm in from either side, using screw **M**.



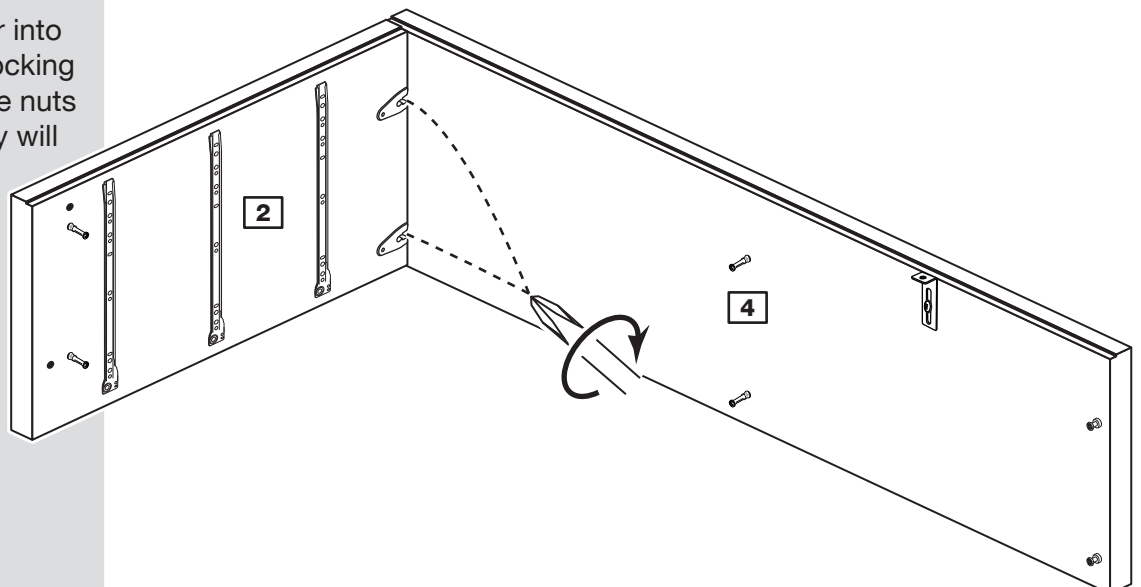
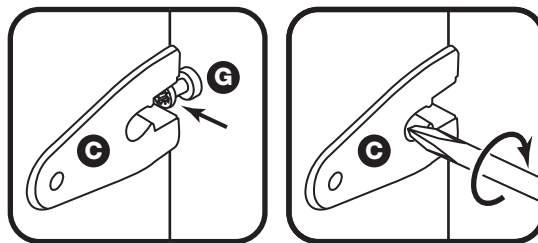
## Step 12

### Fit the top

Attach the top **4** onto the right side **2**.

**Note:** You will need to slide the 2 small metal dowels **G** into the top of the 2 hollow core locking nuts **C**.

Insert a screwdriver into the 2 hollow core locking nuts **C** and turn the nuts inside as far as they will go.



# Assembly Instructions

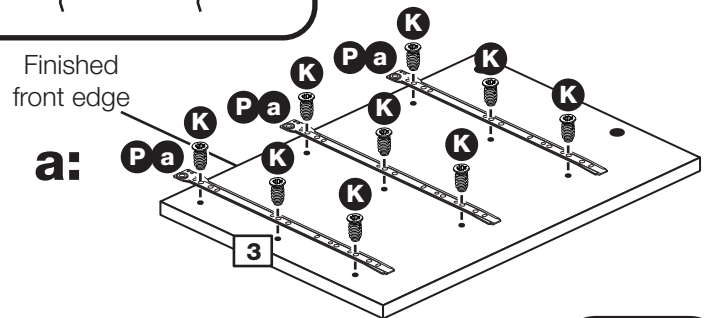
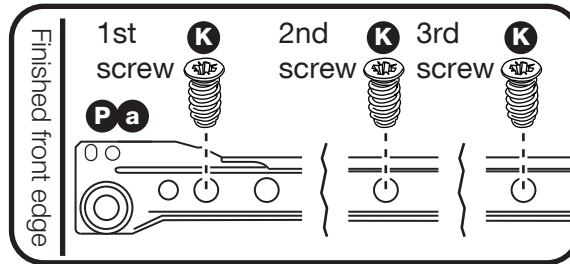
## Step 13

### Prepare the divider

**a:** Fit 3 runners **Pa** to the divider **3**.

The 1st screw **K** uses the 2nd hole in from the front of the runner **Pa**.

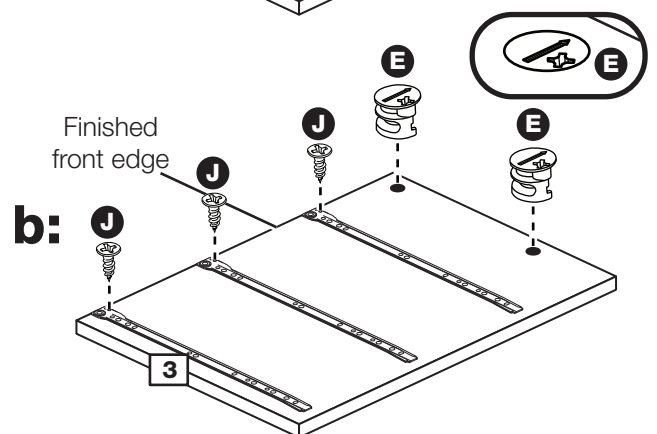
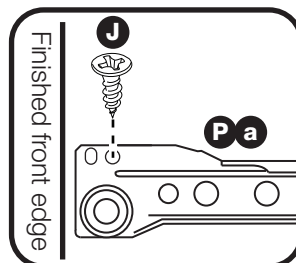
The 2nd and 3rd screw **K** use the holes that line up with the other panel holes.



**b:** Fit a screw **J** into the 2nd hole in at the top of the runners **Pa**.

Insert 2 large locking nuts **E** into the divider **3**.

**Note:** The arrow on the locking nut **must** point towards the hole in the edge of the panel.



### Turn the divider over

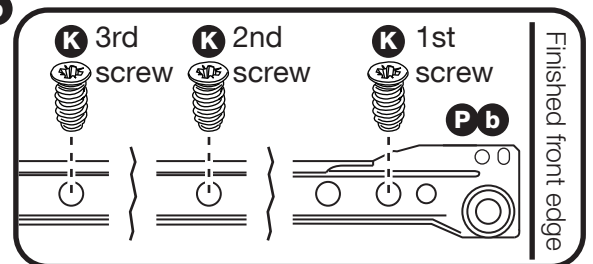
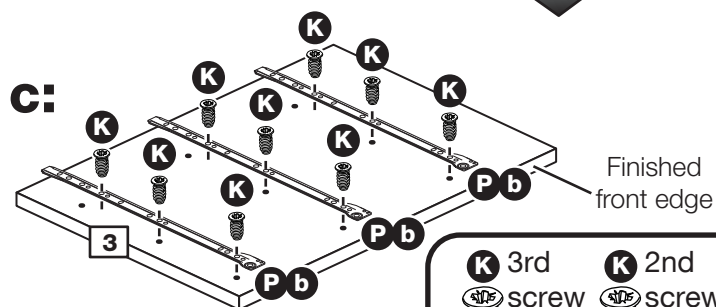


**Turn the divider over**

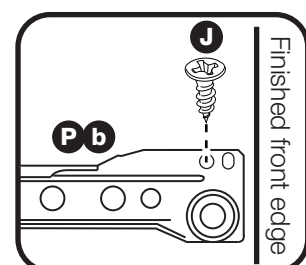
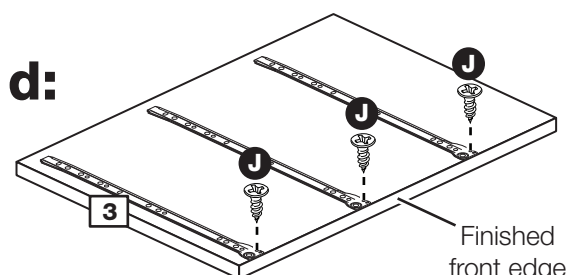
**c:** Fit 3 runners **Pb** to the divider **3**.

The 1st screw **K** uses the 2nd hole in from the front of the runner **Pb**.

The 2nd and 3rd screw **K** use the holes that line up with the other panel holes.



**d:** Fit a screw **J** into the 2nd hole in at the top of the runners **Pb**.



# Assembly Instructions

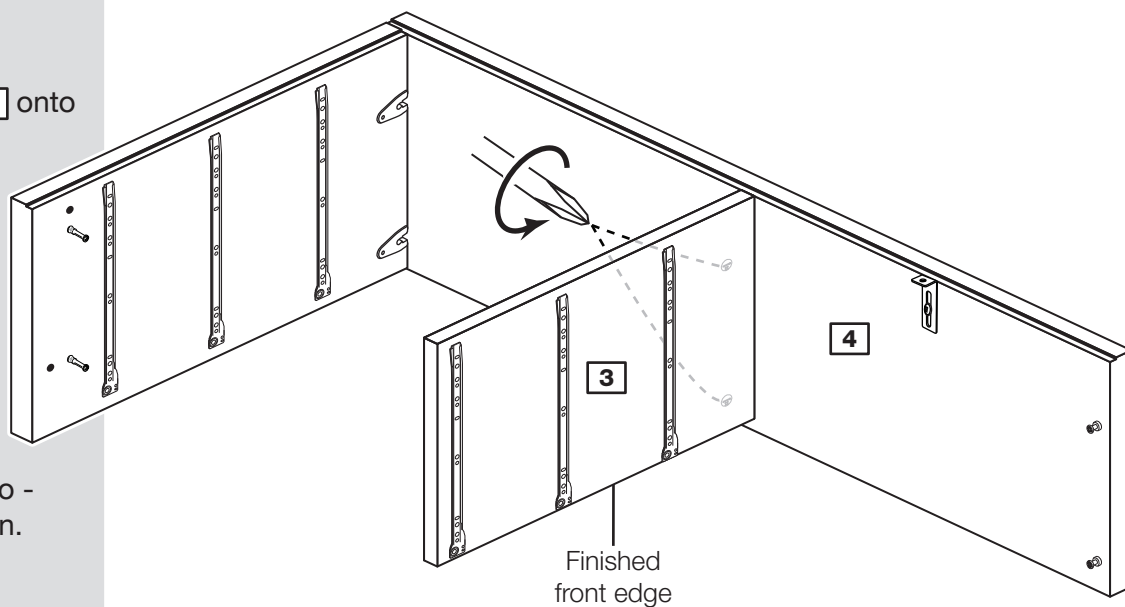
## Step 14

### Fit the divider

Push the divider **3** onto the top **4**.

Use a screwdriver to tighten the 2 large locking nuts **E** fitted to the divider **3**.

**Note:** Turn the large locking nuts as far as they will go - more than 1/2 a turn.



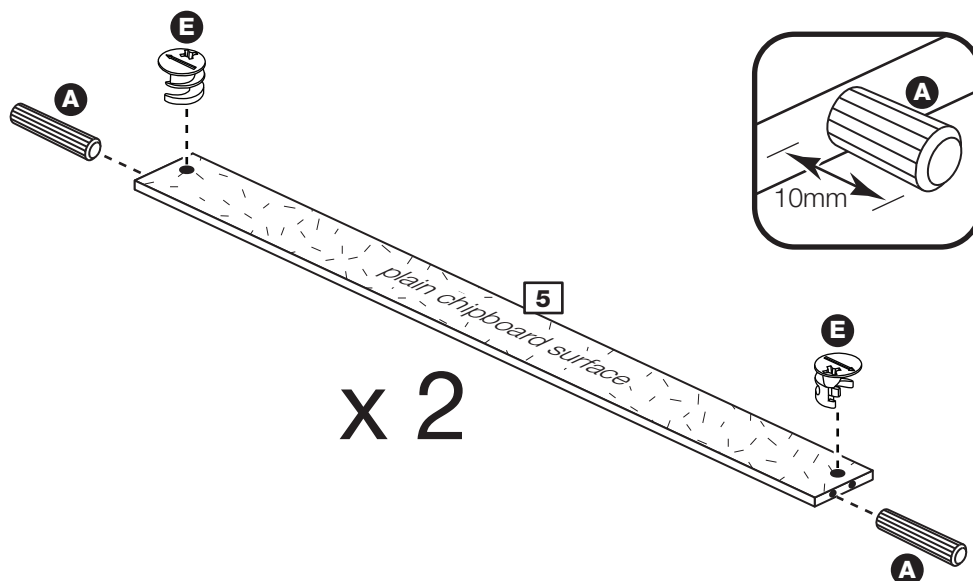
## Step 15

### Prepare the plinths

Tap 2 wooden dowels **A** into each of the 2 plinths **5**.

**Note:** Wooden dowels **must not** stick out from the edge by more than 10mm or they may damage other panels.

Insert 2 large locking nuts **E** into each plinth **5**.



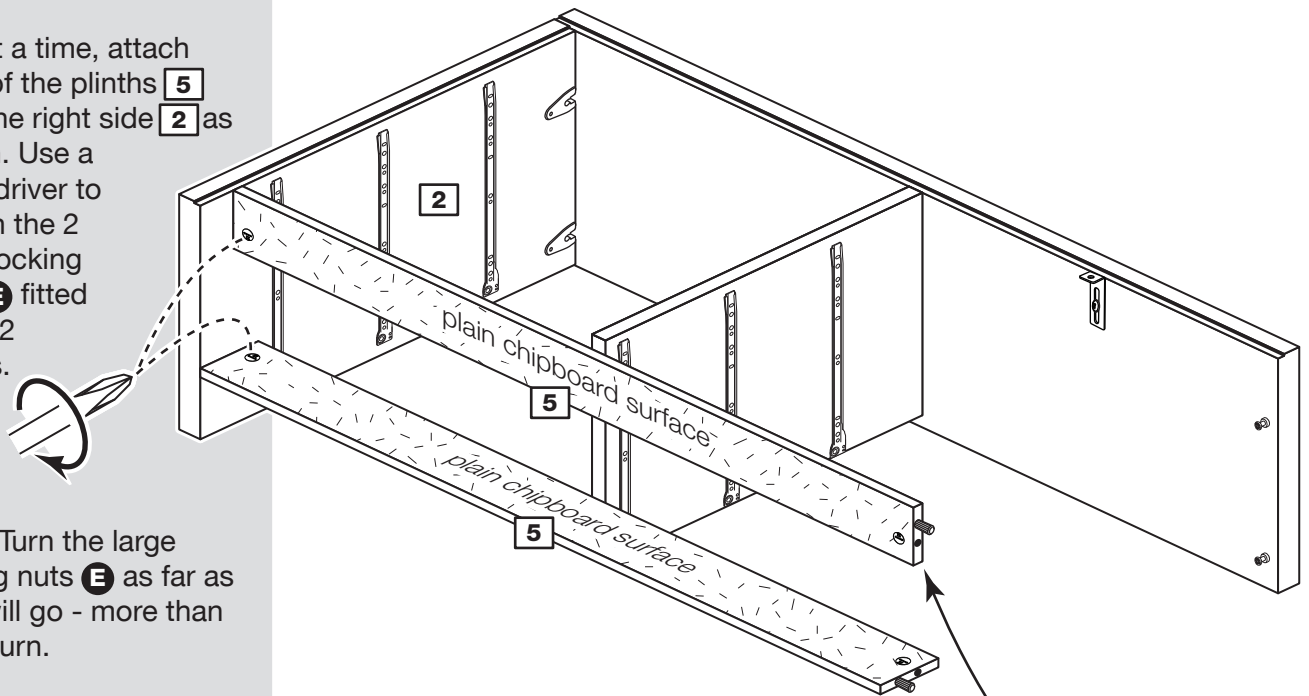
# Assembly Instructions

## Step 16

### Fit the plinths to the right side

*2 people are needed here*

One at a time, attach each of the plinths **5** onto the right side **2** as shown. Use a screwdriver to tighten the 2 large locking nuts **E** fitted to the 2 plinths.



**Note:** Turn the large locking nuts **E** as far as they will go - more than 1/2 a turn.

**Note:** Support the plinths until the left side has been fitted in the next step.

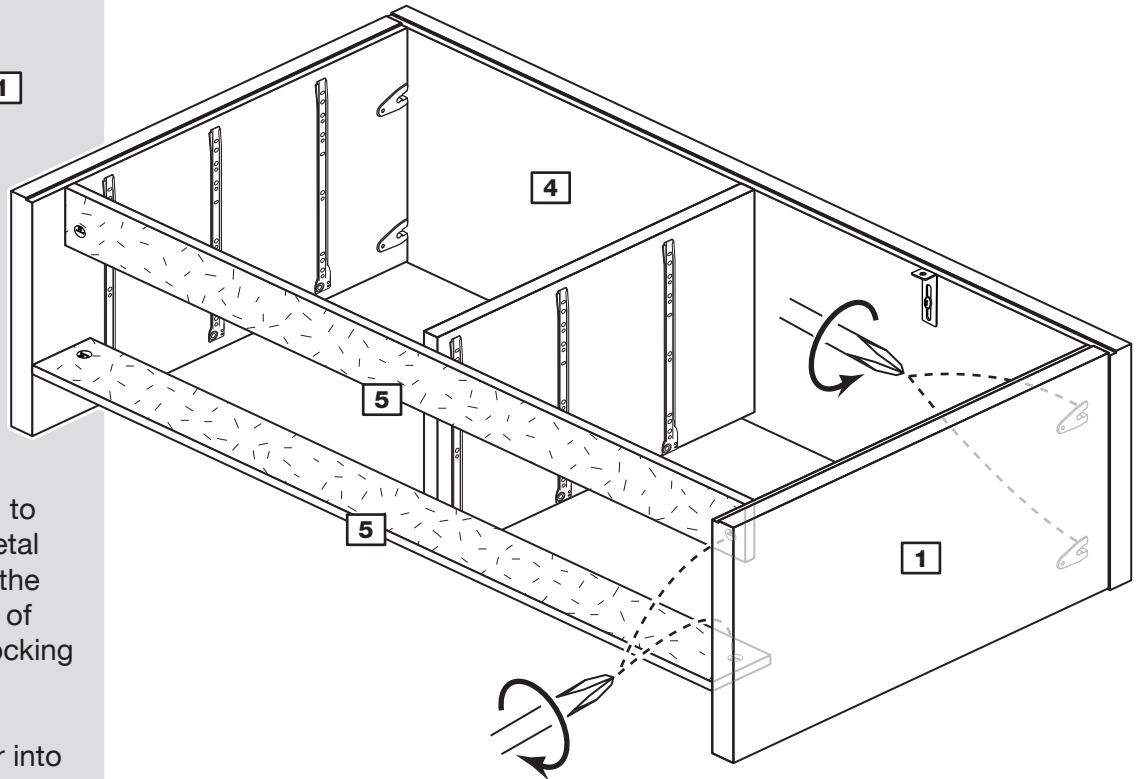
# Assembly Instructions

## Step 17

### Fit the left side

**2 people are needed here**

Push the left side **1** onto the assembly.



**Note:** You will need to slide the 2 small metal dowels **G** fitted to the top **4** into the top of the 2 hollow core locking nuts **C**.

Insert a screwdriver into the 2 hollow core locking nuts **C** and turn the nuts inside as far as they will go.

Use a screwdriver to tighten the 2 large locking nuts **E** fitted to the 2 plinths **5**.

**Note:** Turn the large locking nuts **E** as far as they will go - more than 1/2 a turn.

# Assembly Instructions

## Step 18

### Fit the back

**a:** Square up the unit by making sure that measurement **x to x** equals **y to y**.

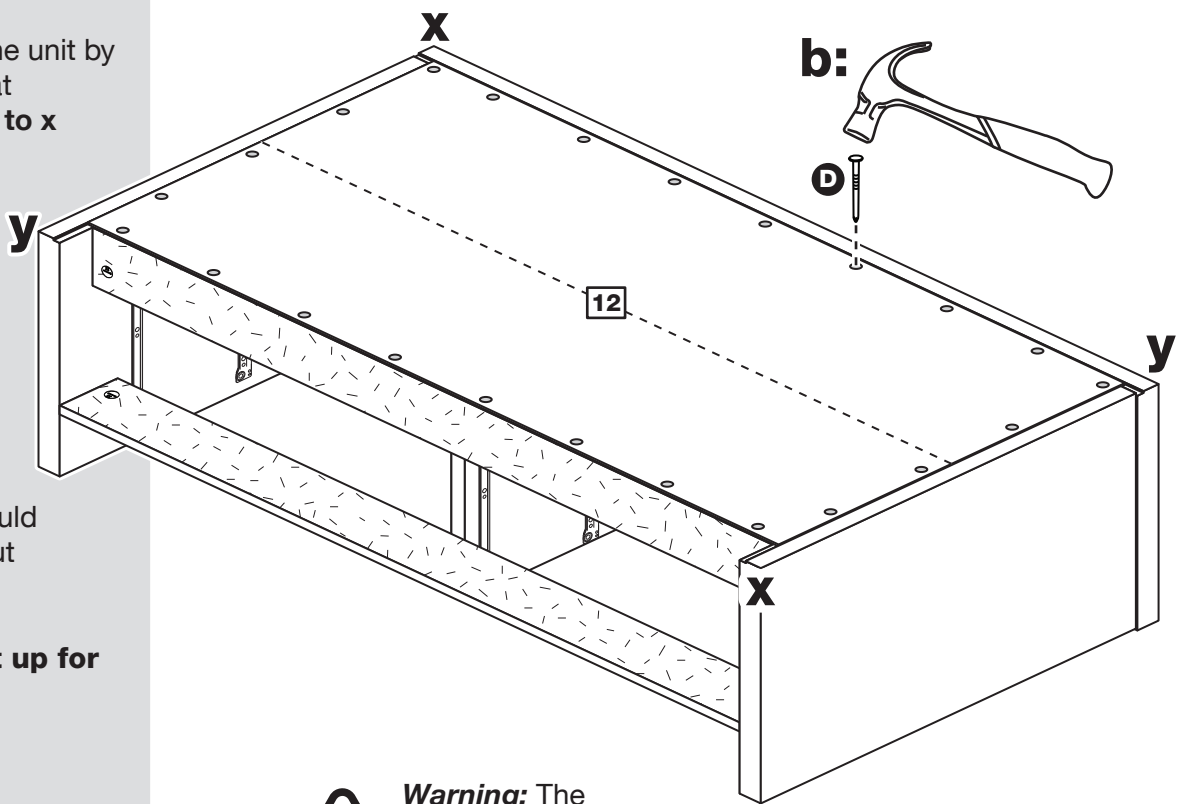
**b:** Place the back **12** onto the unit.

Nail **D** around the outside edges of the back **12**.

**Note:** Nails should be spaced about 150mm apart.

**Stand the unit up for the next step.**

**a:** The measurement from top corner X to bottom corner X must be equal to the measurement from top corner Y to bottom corner Y



**Warning:** The unit is heavy. Lift with care.

## Step 19

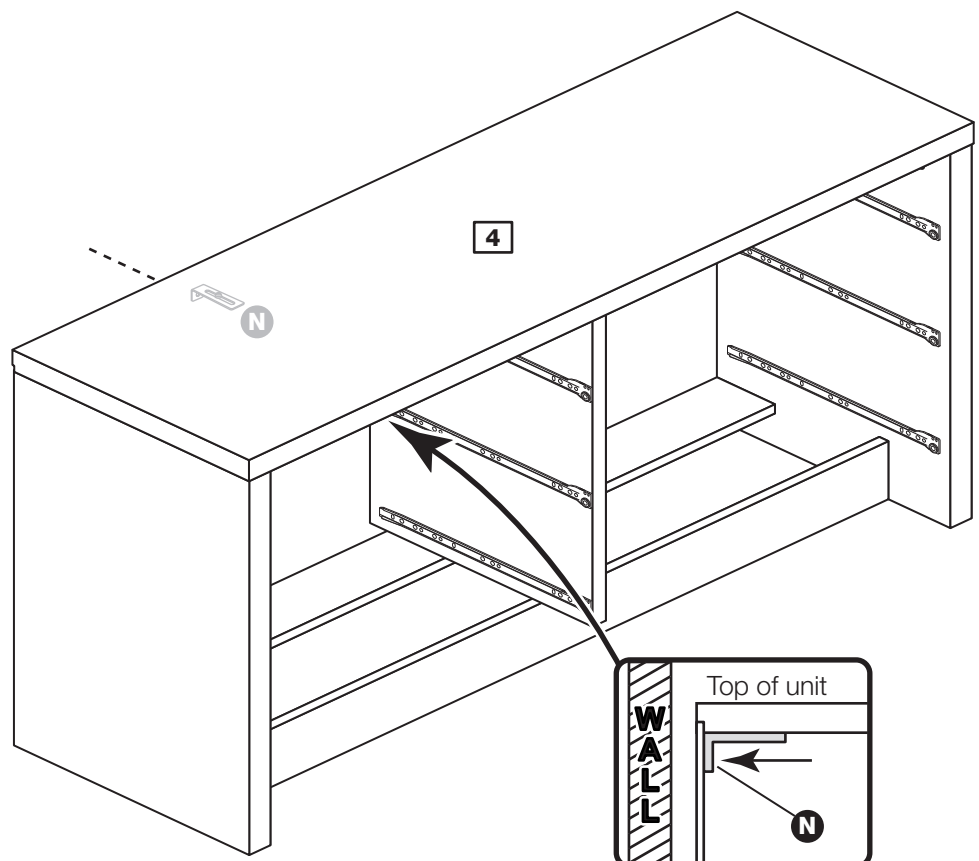
### Secure unit to a wall

To prevent possible overbalancing we recommend that this unit is secured to a suitable wall by use of the metal bracket **N** fitted under the top **4** of the unit.

Fixings are not supplied as they will need to suit the wall type, and the length of screw will depend on the distance of the back of the unit to the wall.



**Warning:** Take care when drilling the wall that you do not drill into any pipes, wires etc. If in doubt, consult an expert.



# Assembly Instructions

## Step 20

### Fit the drawers

Slide the wheels of the runners fitted to the drawers, over the wheels of the runners fitted to the side panels and push the drawers into position.

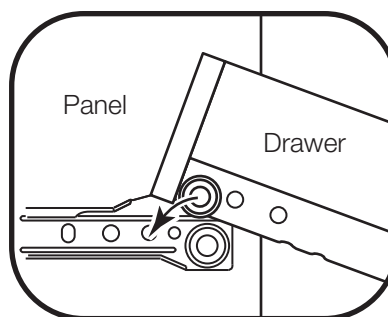
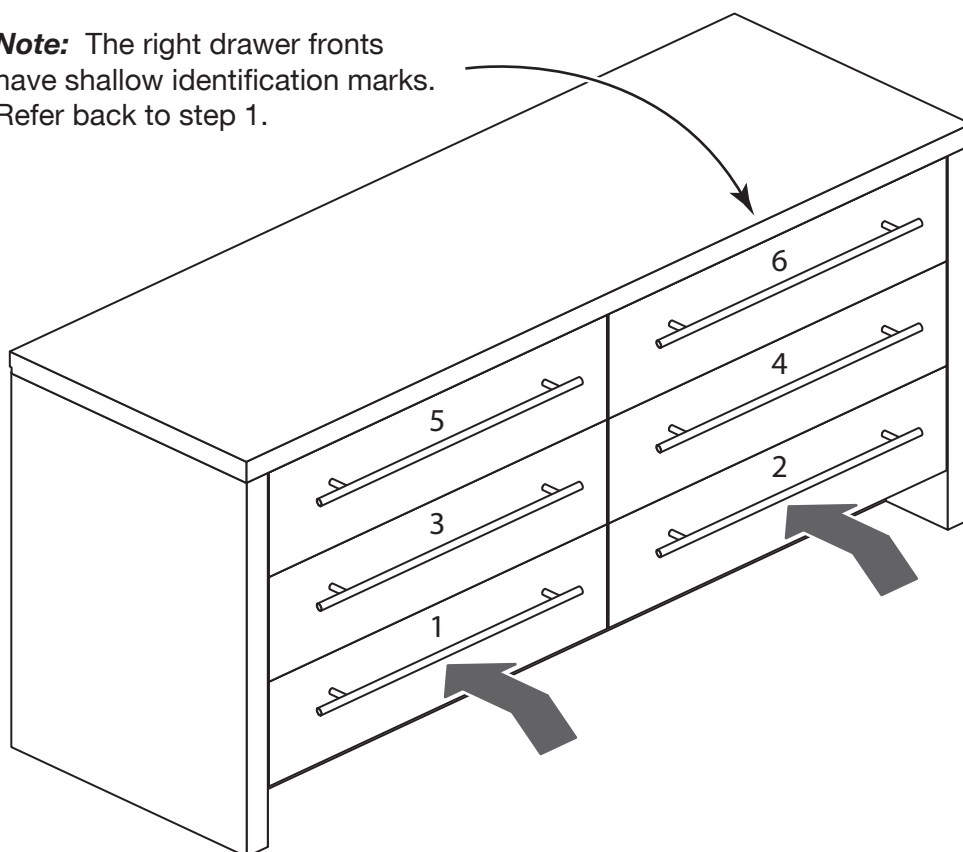
**Note:** We recommend that you fit the drawers in the sequence shown on the diagram.

### Assembly is complete



**Warning:** The unit is heavy. Lift with care.

**Note:** The right drawer fronts have shallow identification marks. Refer back to step 1.



If you need help or have damaged or missing parts, call the Customer Helpline: 08456 400800 and quote the reference numbers on the component pages.

Argos Ltd, 489-499 Avebury Boulevard, Central Milton Keynes, MK9 2NW