

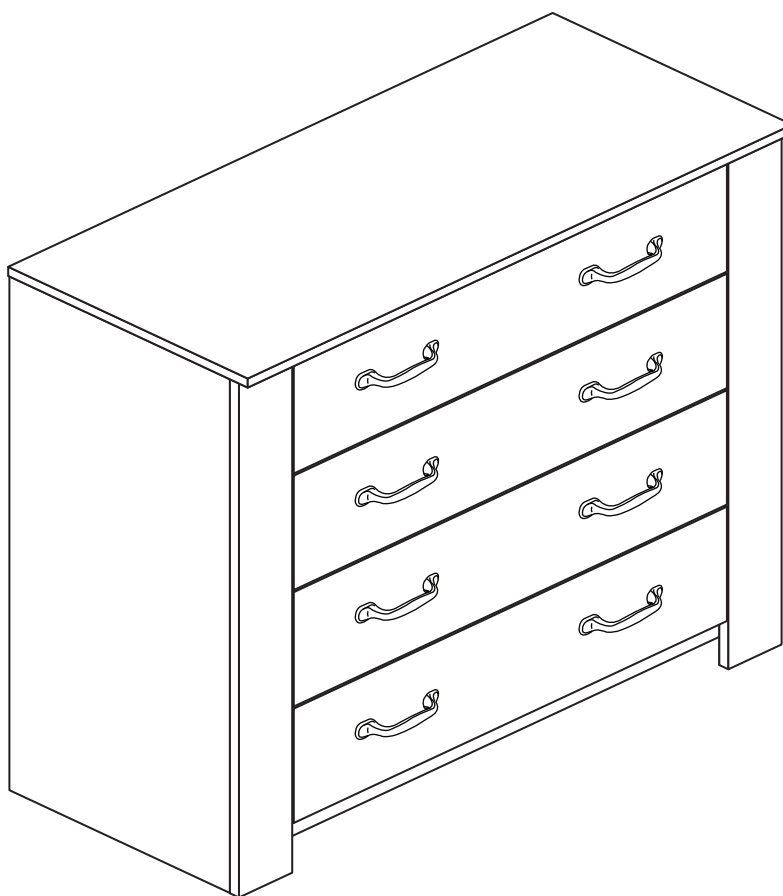
Dalton - 4 Drawer Chest

Assembly Instructions - Please keep for future reference

246/6422

257/8767

226/3113



Dimensions

Width - 90cm

Depth - 40cm

Height - 87cm



**MADE IN
BRITAIN**

Important - Please read these instructions fully before starting assembly

If you need help or have damaged or missing parts, call the **Customer Helpline: 08456 400800**



Safety and Care Advice

Important - Please read these instructions fully before starting assembly

- **Warning:** This unit weighs approximately 36kgs. Please lift with care.

- Check you have all the components and tools listed on pages 1, 2 and 3.

- Remove all fittings from the plastic bags and separate them into their groups.

- Keep children and animals away from the work area, small parts could choke if swallowed.

- Parts of the assembly will be easier with 2 people.

- Make sure you have enough space to layout the parts before starting.

- Do not stand or put weight on the product, this could cause damage.

- Assemble the item as close to its final position (in the same room) as possible.

- Assemble on a soft level surface to avoid damaging the unit or your floor (use opened out unit carton).



- We do not recommend the use of power drill/drivers **for inserting screws**, as this could damage the unit. Only use hand screwdrivers.

- **Safety note:** It is recommended that this unit is secured to a wall using the bracket supplied.

- Dispose of all packaging carefully and responsibly.

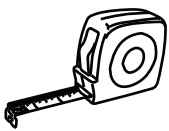
Care and maintenance

- Only clean using a damp cloth and mild detergent, do not use bleach or abrasive cleaners.

- From time to time check that there are no loose screws on this unit.

- This product should not be discarded with household waste. Take to your local authority waste disposal centre.

Tools required



Rule



Cross-head screwdriver



Scissors



Hammer



Eye protection (when using a hammer or drill)



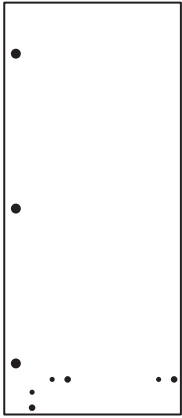
Electric drill (do not use for fitting screws)

Note: If required the next page can be cut out and used as reference throughout the assembly. Keep this page with these instructions for future reference.

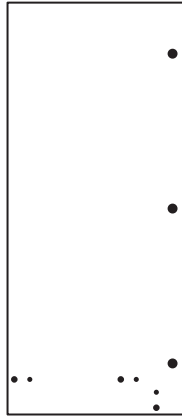
Components - Panels

If you have damaged or missing components, call the **Customer Helpline: 08456 400800** quoting the reference numbers below

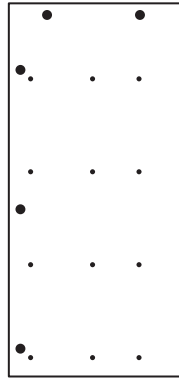
Please check you have all the panels listed below



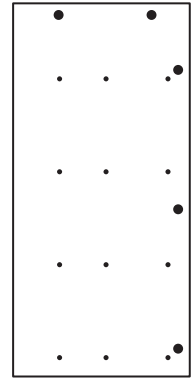
1 Left End (DF696)
(851 x 365mm)



2 Right End (DF697)
(851 x 365mm)



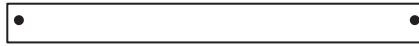
3 Left Internal End (DF703)
(771 x 365mm)



4 Right Internal End (DF956)
(771 x 365mm)



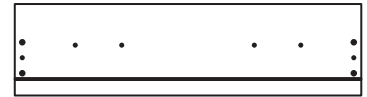
5 Top (DF698)
(900 x 396mm)



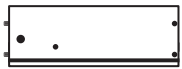
6 Plinth (DF957)
(866 x 80mm)



7 Rail (DF701)
(866 x 80mm) x 2



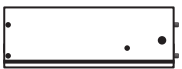
8 Drawer Front (DF700)
(716 x 188mm) x 4



9 Left Drawer Side (W350-124LH)
(350 x 124mm) x 4



11 Drawer Back (W672-124)
(672 x 124mm) x 4



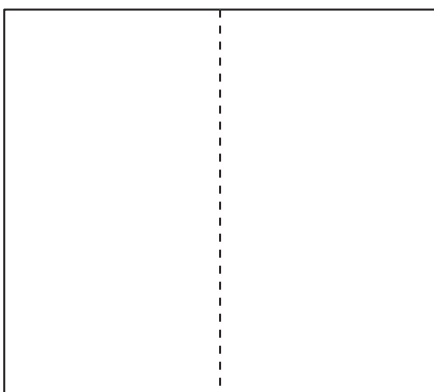
10 Right Drawer Side (W370-124RH)
(370 x 124mm) x 4



12 Drawer Base (T683-347)
(683 x 347mm) x 4



13 Pilaster (DF702)
(851 x 88mm) x 2



14 Back (X797-892)
(797 x 892mm)


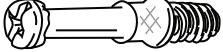

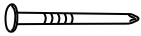









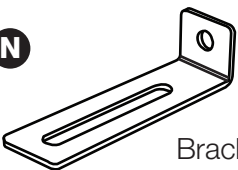
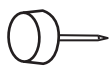



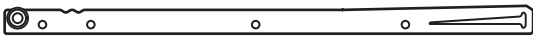




Components - Fittings

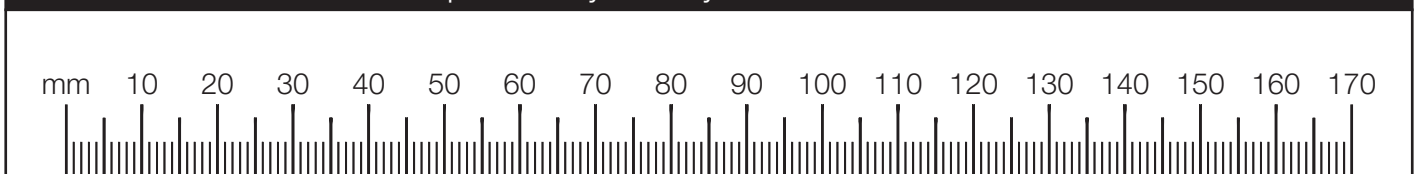
If you have damaged or missing components, call the **Customer Helpline: 08456 400800** quoting the reference numbers below

Please check you have all the fittings listed below

Note: The quantities below are the correct amount to complete the assembly. In some cases more fittings may be supplied than are required.

<p>A </p> <p>Wooden dowel (F22) x 14</p>	<p>B </p> <p>Metal dowel (F901) x 30</p>	<p>C </p> <p>Knock-in Peg (F171GY) x 16</p>
<p>D </p> <p>Nail (F51) x 22</p>	<p>E </p> <p>Large locking nut (F900) x 22</p>	<p>F </p> <p>Small locking nut (F3) x 8</p>
<p>G </p> <p>50mm Screw (F49) x 4</p>	<p>H </p> <p>19mm Screw (F461) x 16</p>	<p>I </p> <p>13mm Screw (F63) x 24</p>
<p>J </p> <p>13mm Screw (F52) x 24</p>	<p>K </p> <p>13mm Screw (F79) x 1</p>	<p>L </p> <p>Wedgefix (F639) x 16</p>
<p>M </p> <p>Handle (F287) x 8</p>	<p>N </p> <p>Bracket (F327) x 1</p>	<p>O </p> <p>Plastic Nail (F91) x 4</p>
<p>P a  L Runner (F159) x 4  350mm long</p> <p>P b  R Runner (F160) x 4</p> <p>P c  L Runner (F161) x 4</p> <p>P d  R Runner (F162) x 4</p>		<p>Q </p> <p>Allen Key (F36) x 1</p>

Ruler - Use this ruler to help correctly identify the screws



Assembly Instructions

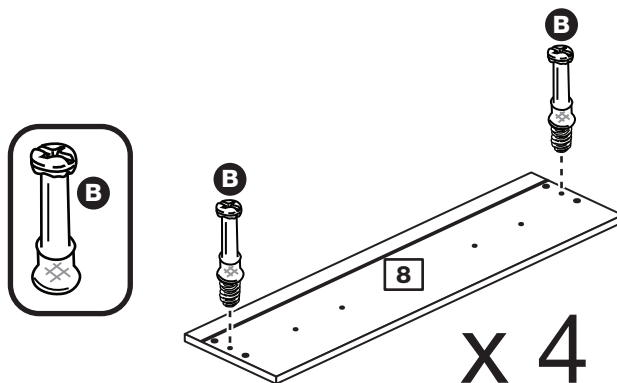
If you have damaged or missing components, call the Customer Helpline: 08456 400800 quoting the reference numbers below

Step 1

Prepare the 4 drawer fronts

Screw 2 metal dowels **B** into each of the drawer fronts **8**.

Note: Tighten the metal dowels up fully against the panels.

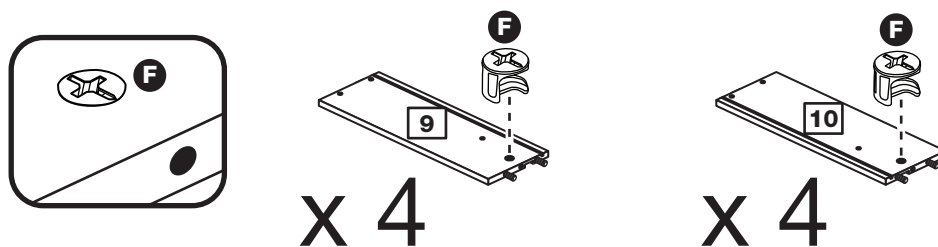


Step 2

Prepare the drawer sides

Insert a small locking nut **F** into the hole shown on the left drawer side **9** and the right drawer side **10**.

Note: The arrow on the locking nut **must** point towards the hole in the edge of the panel.



Step 3

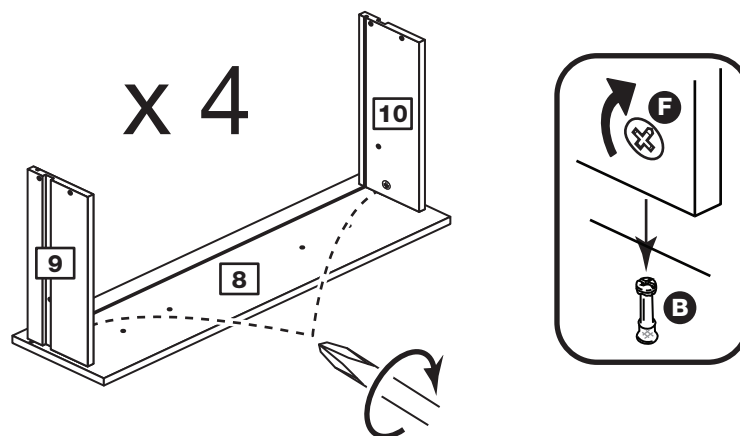
Attach the drawer sides to the drawer fronts

Push the left drawer sides **9** and right drawer sides **10** onto the back of the drawer fronts **8**.

Turn the small locking nuts **F** on the left drawer side **9** and right drawer side **10**.

Note: Turn the locking nuts **F** clockwise to secure panels - more than 1/2 a turn.

Note: The locking nuts can be on either surface of the drawer sides. Make sure that the small groove is on the inside, as shown.

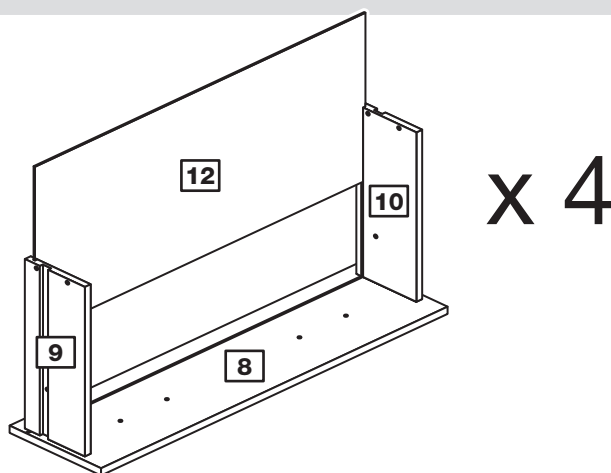


Assembly Instructions

Step 4

Fit the drawer base

Slide the drawer base **12** down the grooves in the drawer sides **9** and **10** and down into the groove in the drawer front **8**.

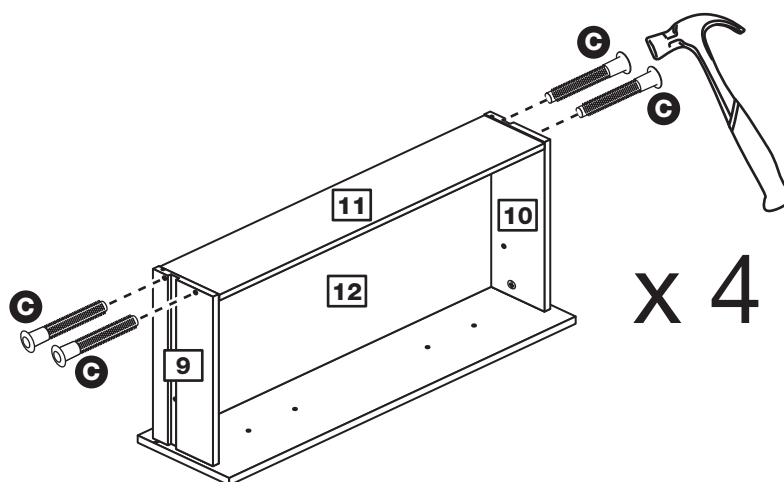


Step 5

Fit the drawer back

Fit the drawer back **11** between the drawer sides **9** and **10**. Make sure that the drawer base **12** fits into the groove in the drawer back **11**.

Hold the drawer back **11** in position and tap the knock-in pegs **C** through the holes in the drawer sides **9** and **10**.

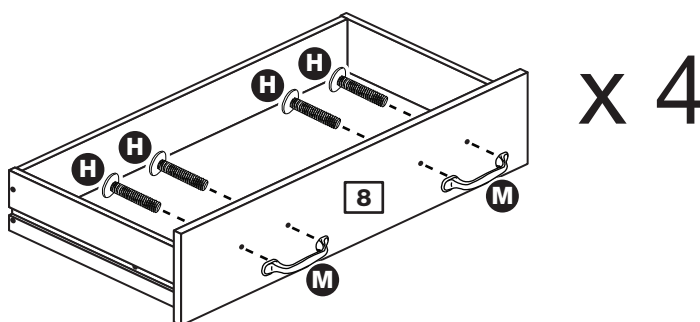


Step 6

Attach the handles

Attach a handle **M** to each of the drawer fronts **8** using screw **H**.

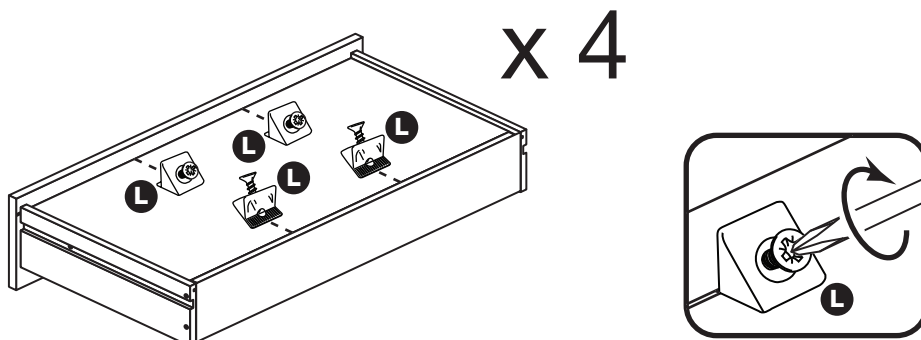
Note: Do not overtighten the screw.



Step 7

Fit the wedgifixes

Turn the drawer assemblies over and slide 4 wedgifixes **L** into the front and back grooves, as shown, and tighten up the screws.



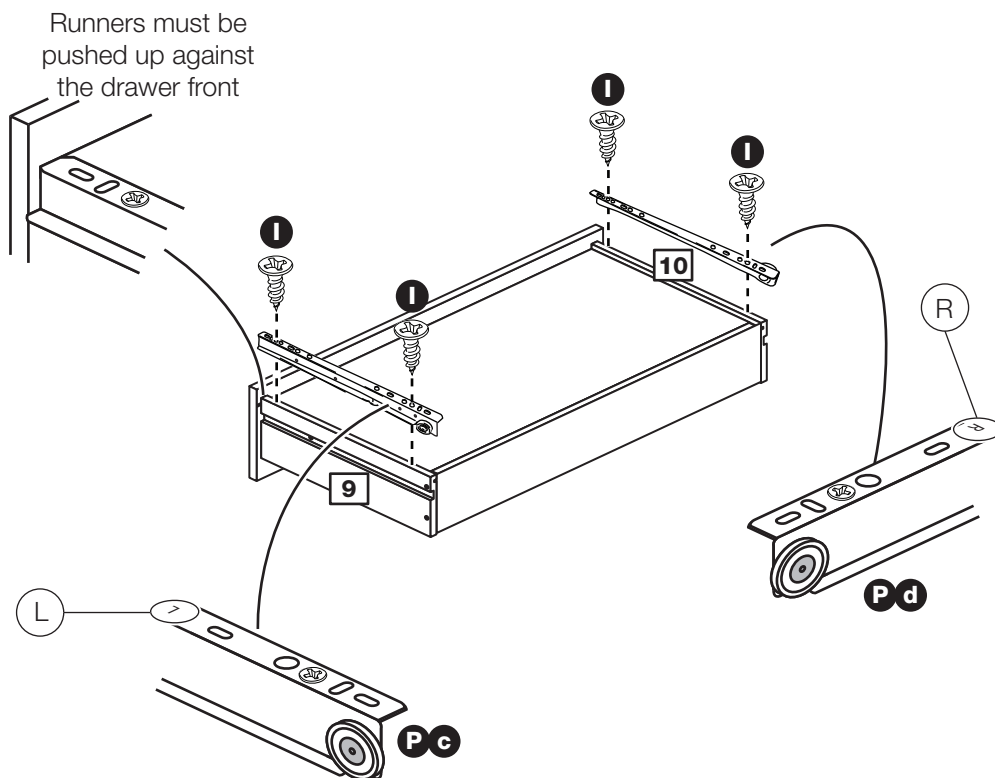
Assembly Instructions

Step 8

Fit runners to the drawers

Fit runner **Pd**, marked with 'R', to the bottom edge of the right drawer side **10**, as shown, making sure that it is pushed up against the back of the small drawer front **8**. Use a bradawl to mark the fixing positions, then secure with 2 screws **I**.

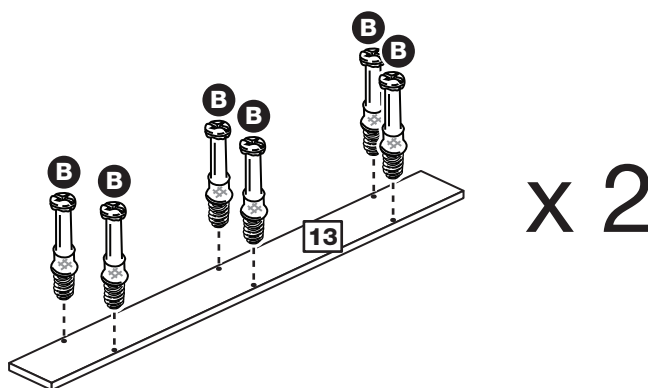
Fit runner **Pc**, marked 'L', to the bottom edge of the left drawer side **9** using the same method.



Step 9

Prepare the 2 palisters

Screw 6 metal dowels **B** into each of the 2 palisters **13**.



Assembly Instructions

Step 10

Prepare the left end

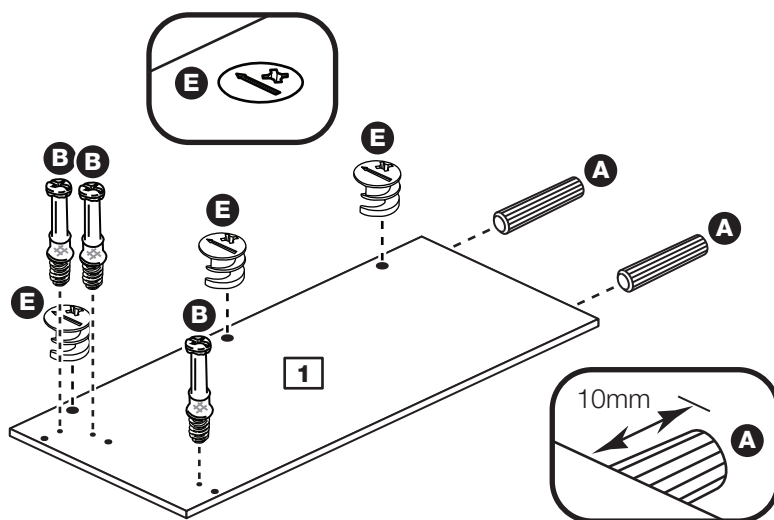
Tap 2 wooden dowels **A** into the left end **1**.

Note: Wooden dowels **must not** stick out from the edge by more than 10mm or they may damage other panels.

Insert 3 large locking nuts **E** into the left end **1**.

Note: The arrow on the locking nut **must** point towards the hole in the edge of the panel.

Screw 3 metal dowels **B** into the left end **1**.



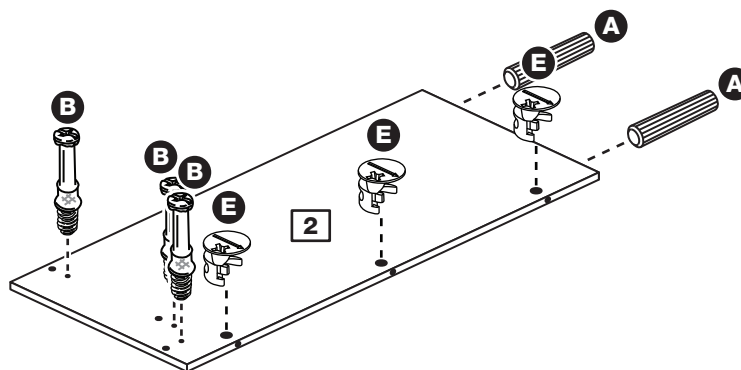
Step 11

Prepare the right end

Tap 2 wooden dowels **A** into the right end **2**.

Insert 3 large locking nuts **E** into the right end **2**.

Screw 3 metal dowels **B** into the right end **2**.



Assembly Instructions

Step 12

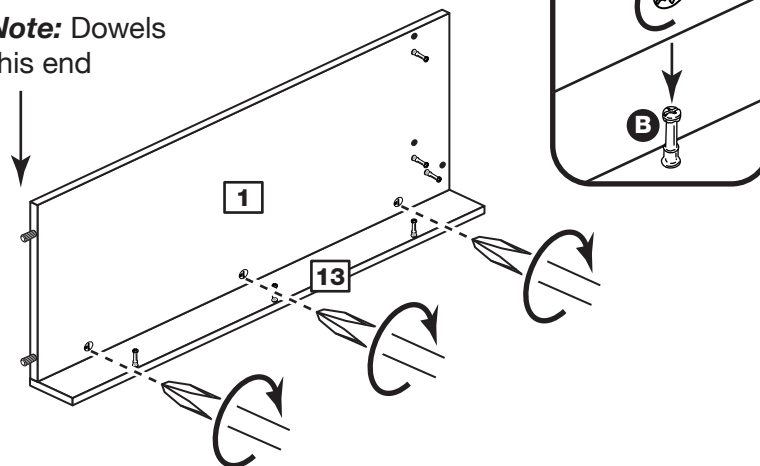
Fit the left end to a palister

Push the left end **1** onto a palister **13**.

Use a screwdriver to tighten the 3 large locking nuts **E** fitted to the left end **1**.

Note: Turn the large locking nuts **E** as far as they will go - more than 1/2 a turn.

Note: Dowels this end



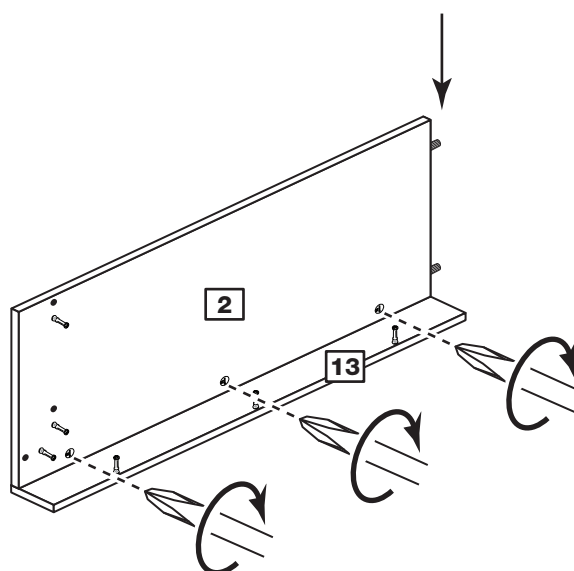
Step 13

Fit the right end to a palister

Push the right end **2** onto a palister **13**.

Use a screwdriver to tighten the 3 large locking nuts **E** fitted to the right end **2**.

Note: Dowels this end



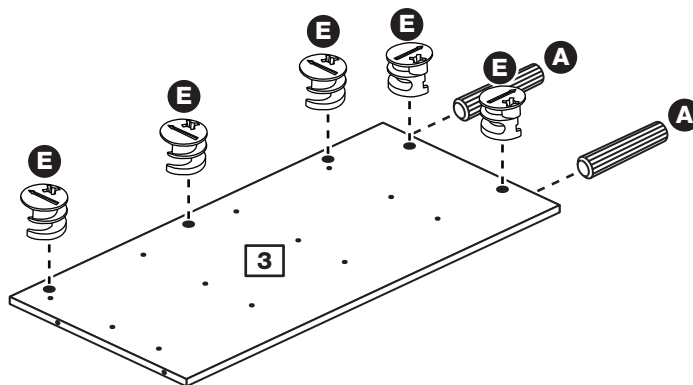
Assembly Instructions

Step 14

Prepare the left internal end

Tap 2 wooden dowels **A** into the left internal end **3**.

Insert 5 large locking nuts **E** into the left internal end **3**.

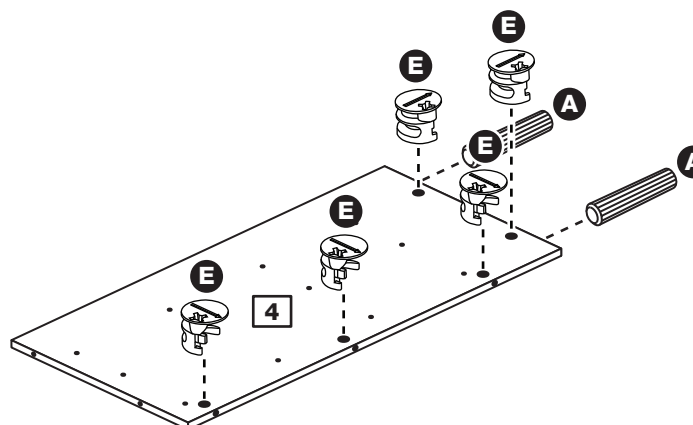


Step 15

Prepare the right internal end

Tap 2 wooden dowels **A** into the right internal end **4**.

Insert 5 large locking nuts **E** into the right internal end **4**.



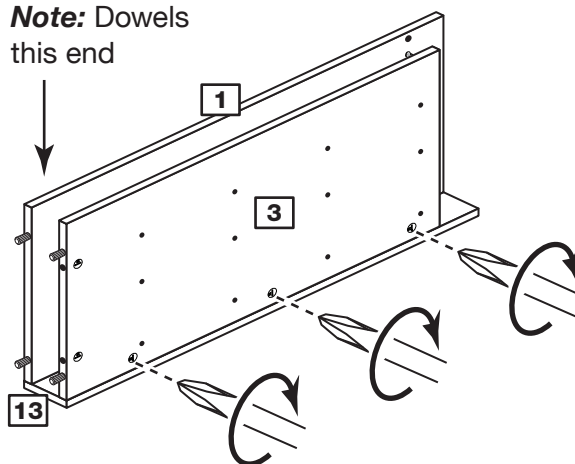
Step 16

Fit the left internal end to the palister

Push the left internal end **3** onto the palister **13** fitted to the left end **1**.

Use a screwdriver to tighten the 3 large locking nuts **E** fitted to the left internal end **3**.

Note: Dowels this end



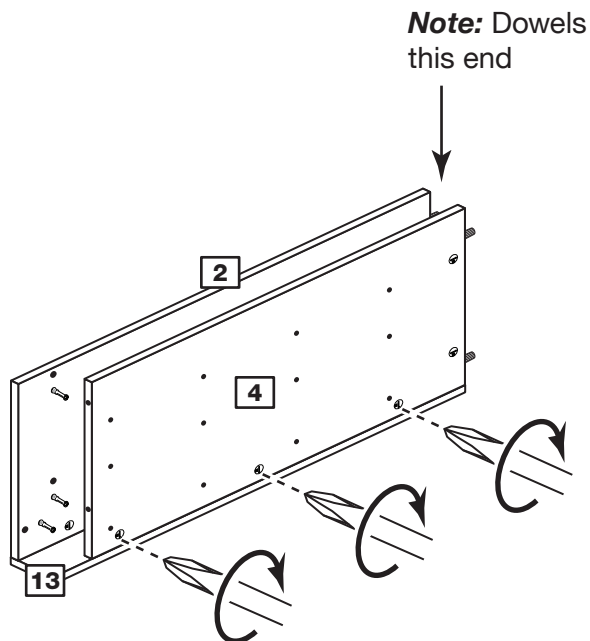
Assembly Instructions

Step 17

Fit the right internal end to the palister

Push the right internal end **4** onto the palister **13** fitted to the the right end **2**.

Use a screwdriver to tighten the 3 large locking nuts **E** fitted to the right internal end **2**.



Step 18

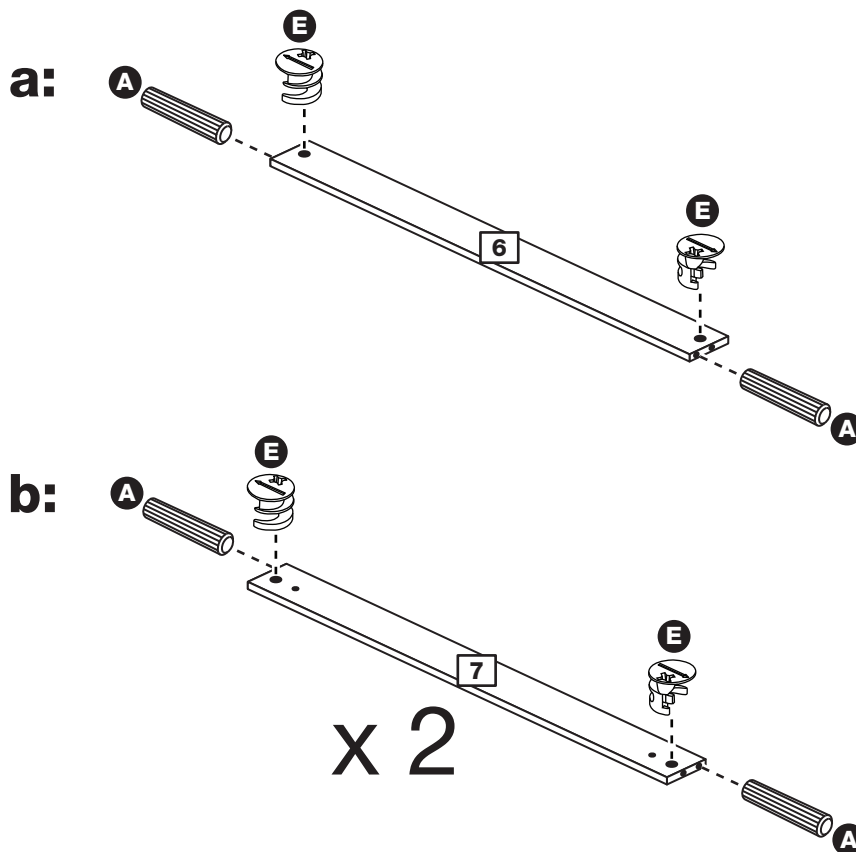
Prepare the plinth and the 2 rails

a: Tap 2 wooden dowels **A** into the plinth **6**.

Insert 2 large locking nuts **E** into the plinth **6**.

b: Tap 2 wooden dowels **A** into each of the 2 rails **7**.

Insert 2 large locking nuts **E** into each of the 2 rails **7**.



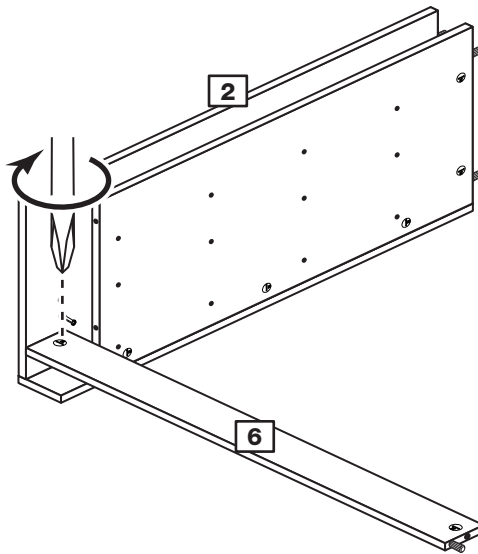
Assembly Instructions

Step 19

Fit the plinth to the right end

Push the plinth **6** onto the right end **2**.

Use a screwdriver to tighten the large locking nut **E** fitted to the plinth **6**.



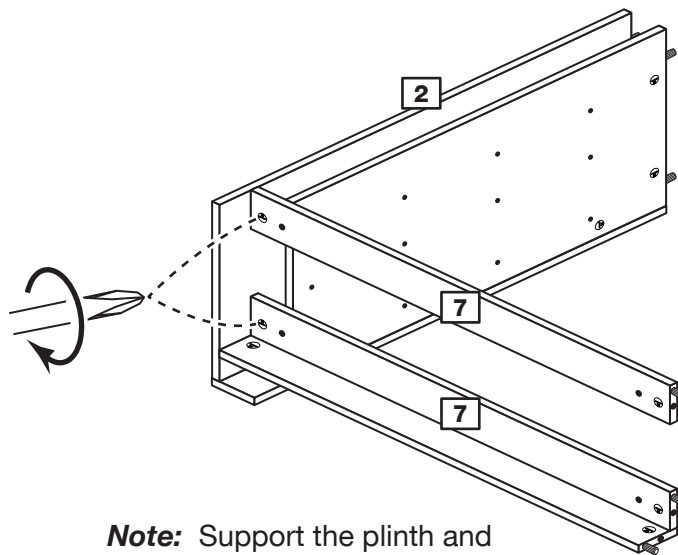
Note: Support the plinth until the left end has been fitted.

Step 20

Fit the 2 rails to the right end

Push the 2 rails **7** onto the right end **2**.

Use a screwdriver to tighten the large locking nut **E** fitted to the rails **7**.



Note: Support the plinth and rails until the left end has been fitted in the next step.

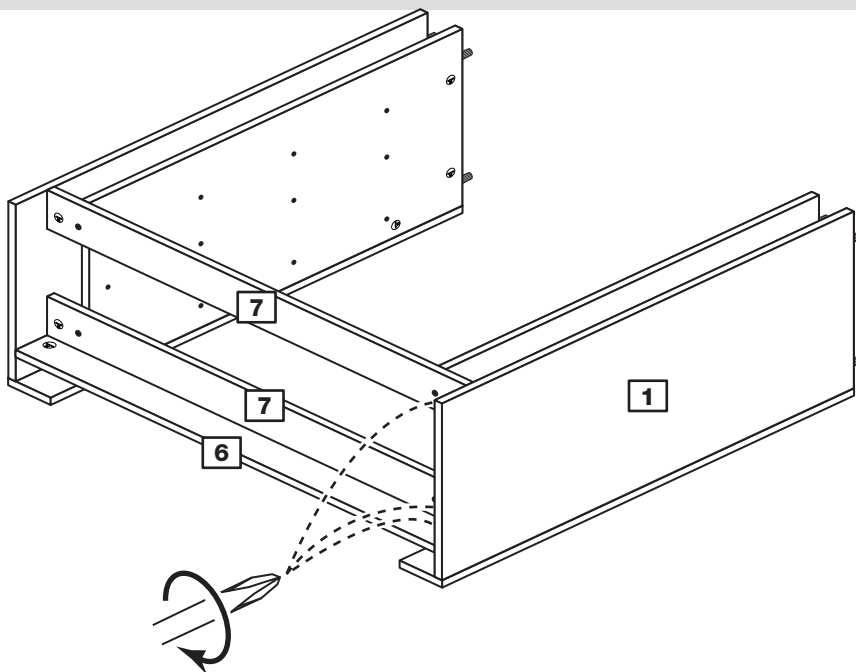
Assembly Instructions

Step 21

Fit the left end

Push the left end **1** onto the plinth **6** and rails **7**.

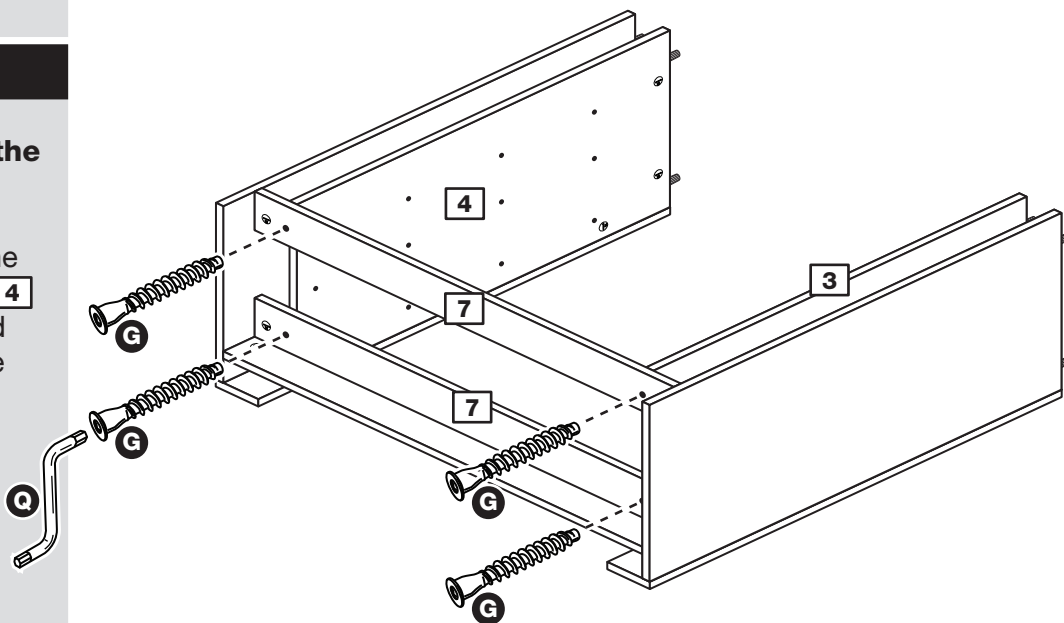
Use a screwdriver to tighten the 3 large locking nuts **E** fitted to the plinth **6** and the rails **7**.



Step 22

Secure the rails to the internal ends

Fix the 2 rails **7** to the internal ends **3** and **4** using 4 screws **G** and tighten them using the allen key **Q**.

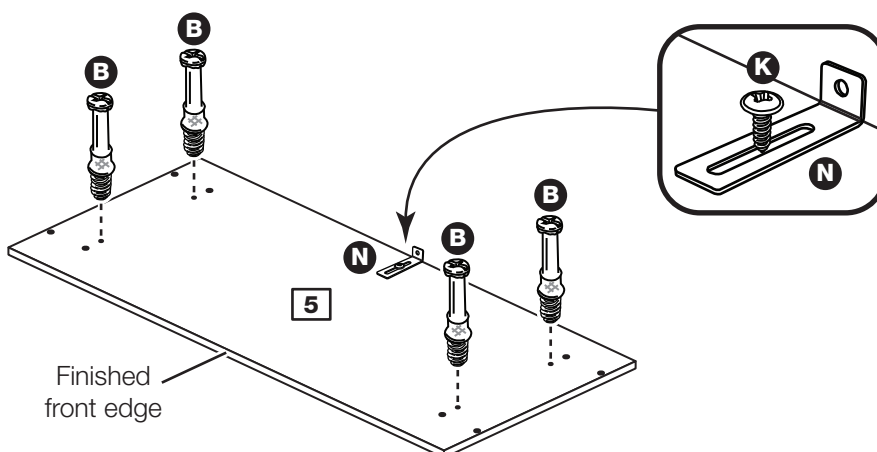


Step 23

Prepare the top

Screw 4 metal dowels **B** into the top **5**.

Fix the bracket **N** in the middle of the top **5**, flush to the edge, using screw **K**.



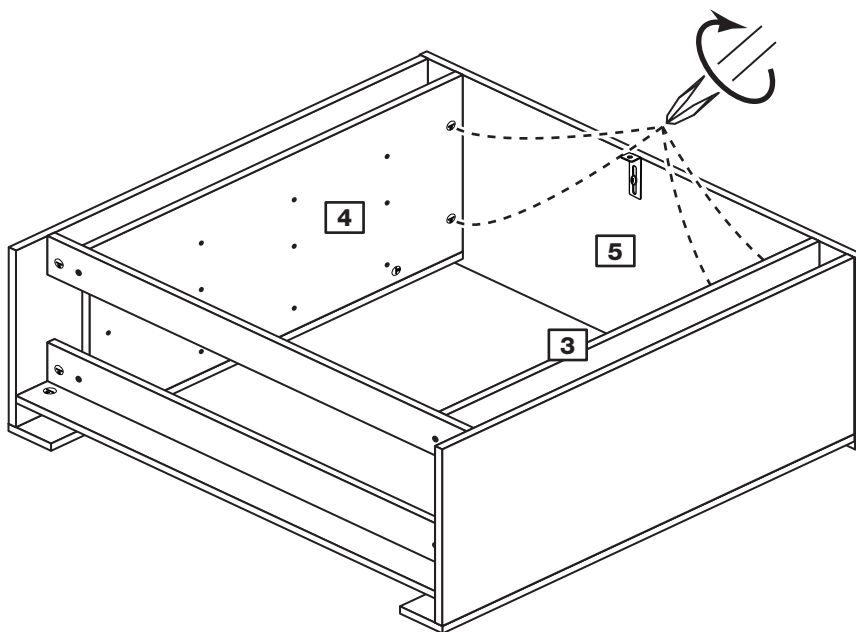
Assembly Instructions

Step 24

Fit the top

Push the top **5** onto the assembly.

Use a screwdriver to tighten the 4 large locking nuts **E** fitted to the 2 internal ends **3** and **4**.



Step 25

Fit the back

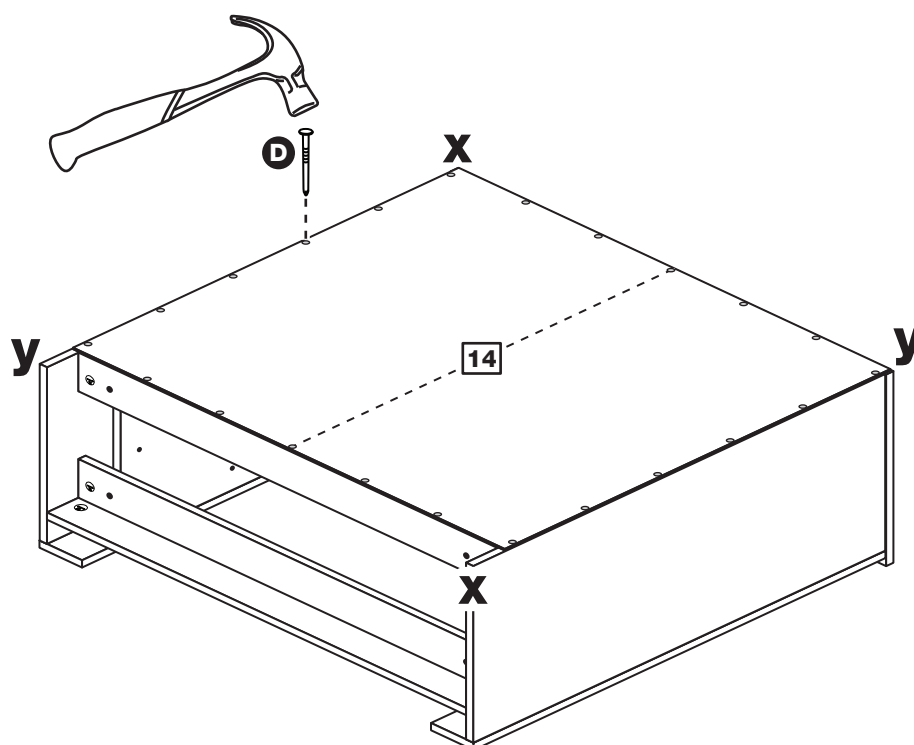
a: Square up the unit by making sure that measurement **x to x** equals **y to y**.

b: Place the back **14** onto the unit.

Nail **D** around the outside edges of the back **14**.

Note: Nails should be spaced about 150mm apart.

a: The measurement from top corner X to bottom corner X must be equal to the measurement from top corner Y to bottom corner Y



Assembly Instructions

Step 26

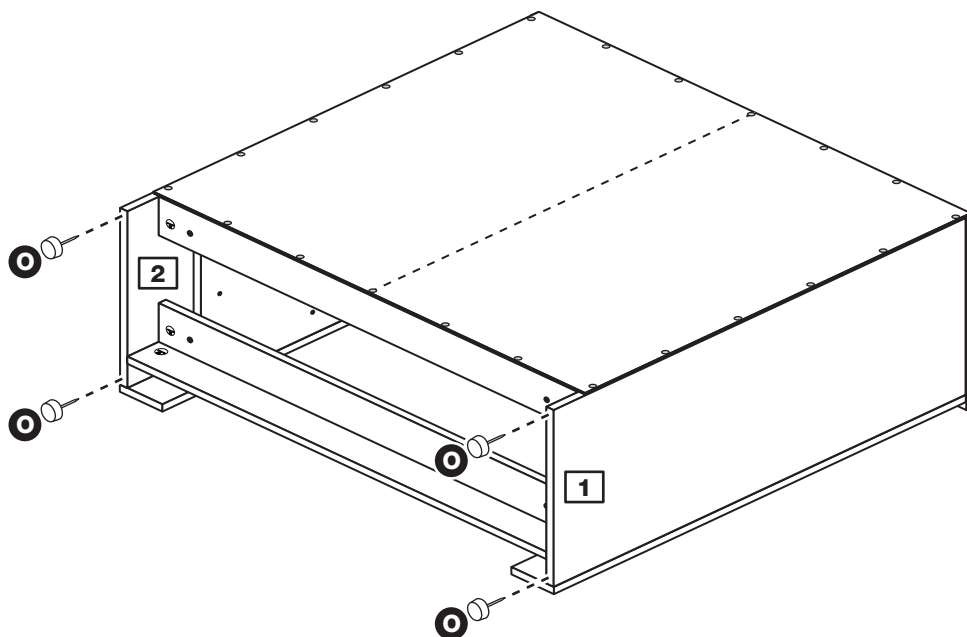
Fit the 4 plastic nails

Tap 2 plastic nails **O** into the bottom edge of each of the sides **1** and **2**.

Stand the unit up for the next step.



Warning: The unit is heavy. Lift with care.



Step 27

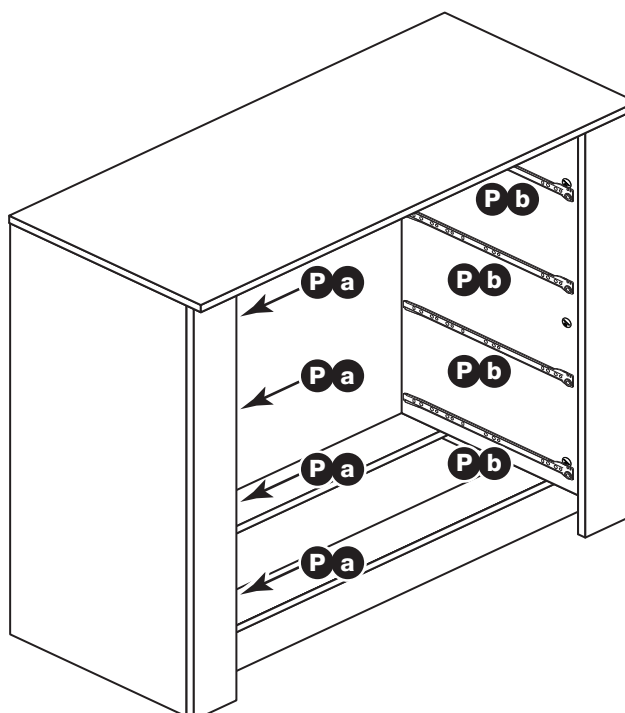
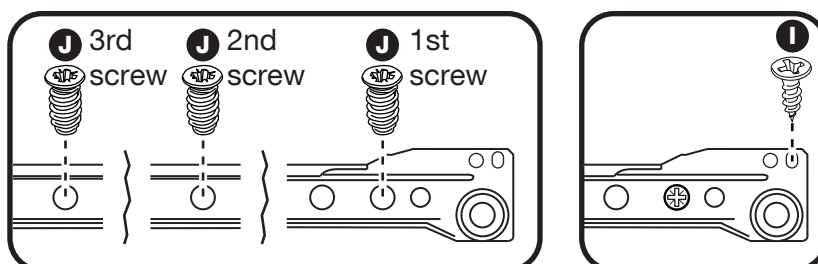
Fit the runners

Fit 4 runners **Pa** to the left internal end **3** and 4 runners **Pb** to the right internal end **4**.

The 1st screw **J** uses the 2nd hole in from the front of the runner.

The 2nd and 3rd screws **J** use the holes that line up with the other panel holes.

Fit a screw **I** into the 1st hole in at the top of the runners **Pa** and **Pb**.



Assembly Instructions

Step 28

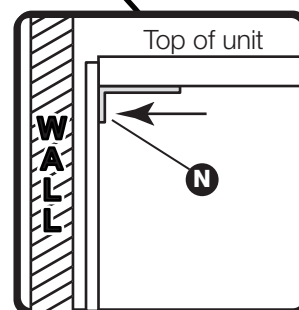
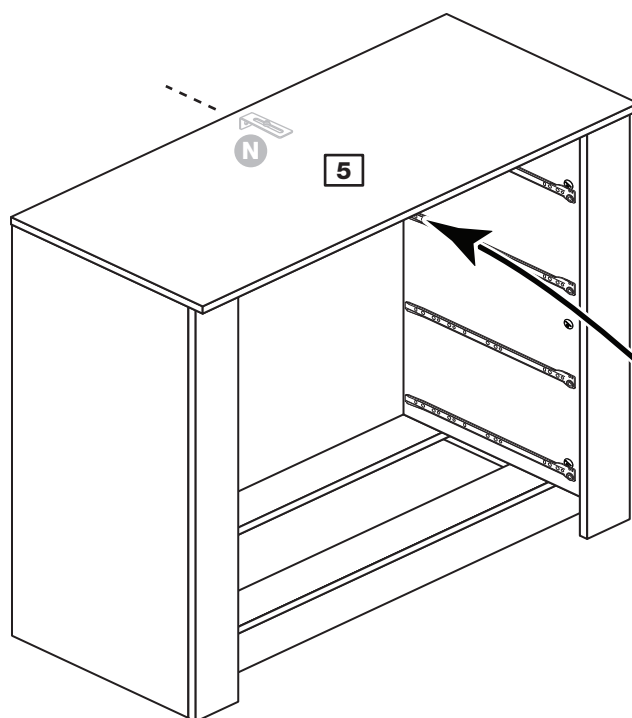
Secure unit to a wall

To prevent possible overbalancing we recommend that this unit is secured to a suitable wall by use of the metal bracket **N** fitted to the top **5**.

Fixings are not supplied as they will need to suit the wall type, and the length of screw will depend on the distance of the back of the unit to the wall.



Warning: Take care when drilling the wall that you do not drill into any pipes, wires etc. If in doubt, consult an expert.

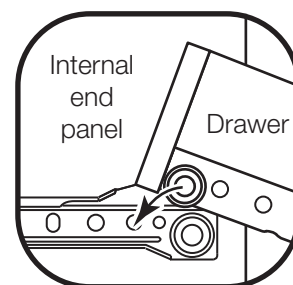
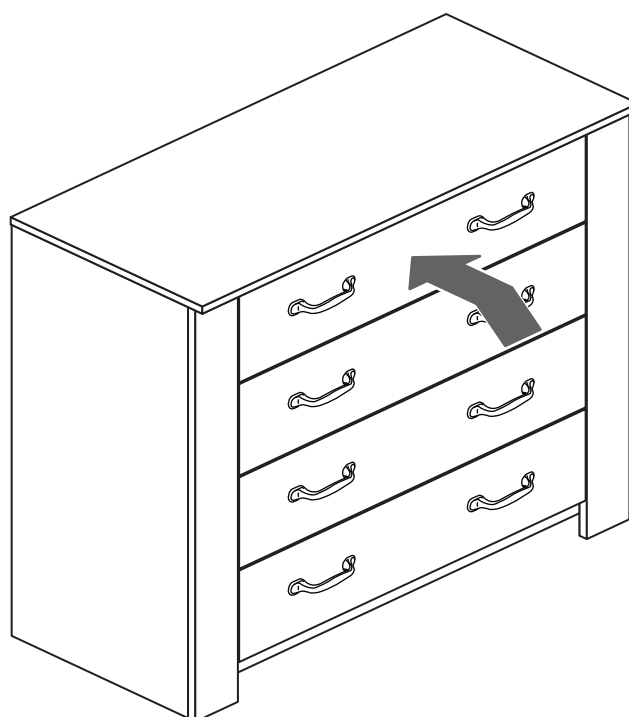


Step 29

Fit the drawers

Slide the wheels of the runners fitted to the drawers, over the wheels of the runners fitted to the side panels and push the drawers into position.

Assembly is complete



If you need help or have damaged or missing parts, call the Customer Helpline: 08456 400800 and quote the reference numbers on the component pages.

Argos Ltd, 489-499 Avebury Boulevard, Central Milton Keynes, MK9 2NW