

ZINC VOLT 120 **OWNER'S MANUAL**

NOTE: TO OPERATE, PUSH START SCOOTER TO APPROXIMATELY 3 MPH WHILE TWISTING THROTTLE IN ORDER FOR MOTOR TO ENGAGE. THE SCOOTER MUST BE ROLLING AT 3MPH BEFORE THE MOTOR WILL ENGAGE.



**NOTE: Manual illustrations are for reference only.
Illustrations may not reflect the exact appearance of the actual product.
Specifications are subject to change without notice.**

Read and understand this entire manual before riding!

Customer Helpline

Hy-pro advise you to contact us directly and not to return this item to the place of purchase. Hy-pro has taken great care to ensure this item has reached you in good condition, should you have a query, please ring our helpline 01582 670100 where your call will be dealt with promptly. Alternatively, please contact us on email: info@hy-pro.co.uk or customerservices@zincsports.com

Need Help? Visit our web site for replacement parts and product support www.zinchq.com or call our customer service line on 01582 670100

CONTENTS

Safety Warnings	1	Repair and Maintenance.....	4-6
Before You Start	2	Troubleshooting	7
Assembly	3	Warranty	8
Hardware Maintenance	4		

SAFETY AND WARNINGS-READ BEFORE USE



WARNING: Riding the electric scooter can be a dangerous activity. Certain conditions may cause components to fail without fault of the manufacturer. Like other electric vehicles, the scooter can and is intended to move, and it is therefore possible to lose control, fall off and/or get into dangerous situations that no amount of care, instruction or expertise can eliminate. If such things occur you can become seriously injured or die, even when using safety equipment and other precautions. **RIDE AT YOUR OWN RISK AND USE COMMON SENSE.**

This manual contains many warnings and cautions concerning the consequences of failing to inspect, maintain or properly use your electric scooter. Since any incident can result in serious injury or even death, we do not repeat the warning of possible serious injury or death each time such a possibility is mentioned.

APPROPRIATE RIDER USE AND ADULT SUPERVISION

This manual contains important safety information. It is your responsibility to review this information and make sure that all riders understand all warnings, cautions, instructions and safety topics and ensure that young riders are able to safely and responsibly use this product. Zinc recommends that you periodically review and reinforce the information in this manual with younger riders, and that you inspect and maintain your children's vehicle to insure their safety.

The recommended rider age is 8yrs and older. Any rider unable to fit comfortably on the scooter should not attempt to ride it. A parent's decision to allow his or her child to ride this product should be based on the child's maturity, skill and ability to follow rules.

Keep this product away from small children and remember that it is intended for use only by persons who are, at a minimum, completely comfortable and competent while operating the scooter.

DO NOT EXCEED WEIGHT LIMIT OF 70kg. Rider weight does not necessarily mean a person's size is appropriate to fit or maintain control of the scooter.

Do not touch the brakes or motor on your scooter when in use as these parts can become very hot.

Refer to the section on safety for additional warnings.

ACCEPTABLE RIDING PRACTICES AND CONDITIONS: Always check and obey any laws or regulations which may affect the locations where the electric scooter may be used. Ride carefully. Watch out for potential obstacles that could catch your wheel or force you to swerve suddenly or lose control. Be careful to avoid pedestrians, skaters, skateboards, scooters, bikes, children or animals who may enter your path, and respect the rights and property of others.

Do not activate the speed control on the hand grip unless you are on the scooter and in a safe, outdoor environment suitable for riding.

Do not attempt or do stunts or tricks on your scooter. The scooter is not made to withstand abuse from misuse such as jumping, grinding or any other type of stunts.

Maintain a hold on the handlebars at all times

Never allow more than one person at a time to ride the scooter.

Keep your fingers and other body parts away from the belt, steering system, wheels and all other moving components.

Never use headphones or a mobile phone when riding.

Never use another vehicle to pull the scooter along.

Do not ride your scooter in wet or icy weather and never immerse the scooter in water, as the electrical and drive components could be damaged by water or create other possibly unsafe conditions.

The electric scooter is intended for use on flat, dry surfaces with level ground, without loose debris such as sand, leaves, rocks or gravel. Wet, slick, bumpy, uneven or rough surfaces may impair traction and contribute to possible accidents. Do not ride your scooter in mud, ice, puddles or water. Avoid excessive speeds that can be associated with downhill rides. Do not use the electric scooter indoors.

Do not ride at night or when visibility is limited.

The scooter should be used with caution since skill is required to avoid falls or collisions causing injury to the user or third parties.

APPROPRIATE RIDING ATTIRE. Always wear proper protective equipment such as:

- Approved safety helmet. Helmet may be legally required by law or regulation in your area.
- Elbow pads and knee pads
- Long sleeved shirt, long trousers and gloves
- Lace up shoes with rubber soles, never ride barefoot or in sandals, and insure that shoelaces are tied and kept out of the way of the wheels and drive system.

USING THE CHARGER

The charger supplied with the electric scooter should be regularly examined for damage to the cord, plug, enclosure and other parts, and in the event of such damage, the scooter must not be charged until the charger has been repaired or replaced.

- Use only with the recommended charger
- Use caution when charging
- The charger is not a toy
- Charger should be operated by an adult
- Do not operate charger near flammable materials
- Unplug charger and disconnect from scooter when not in use
- Do not exceed charging time

Always disconnect from the charger prior to wiping down and cleaning your scooter with liquid.

FAILURE TO USE COMMON SENSE AND HEED THE ABOVE WARNINGS INCREASES RISK OF SERIOUS INJURY. USE WITH APPROPRIATE CAUTION AND SERIOUS ATTENTION TO SAFE OPERATION.



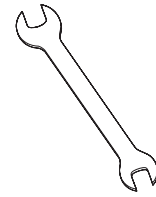
WARNING: REMOVE ALL PACKAGING AND ITEMS FROM THE DISPLAY BOX. MAKE SURE POWER SWITCH IS TURNED "OFF" BEFORE ASSEMBLING THE SCOOTER

Adult assembly required.

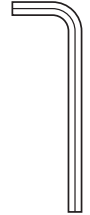
Allow up to 12 hours for initial charge. By not doing so you will invalidate the warranty (see page 3 for charging information).



Tools Included

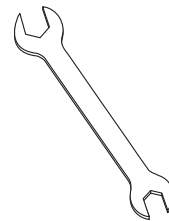


8mm and 10mm spanner

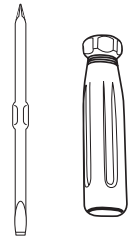


5mm allen key

Tools Required



13mm spanner



Phillips and Flat
Screwdriver



4mm allen key



5mm allen key

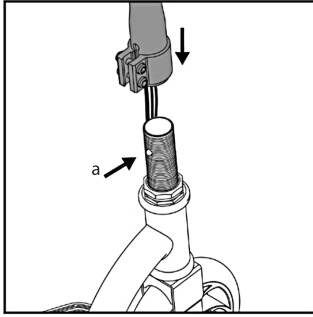


WARNING: ONLY USE GENUINE ZINC REPLACEMENT PARTS. The scooter has been built to certain Zinc design specifications. The original equipment supplied at the time of sale was selected on the basis of its compatibility with the frame, fork and all other parts. Certain aftermarket products may or may not be compatible and will invalidate the warranty if used.

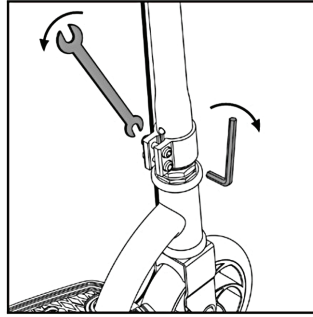
Need Help? Visit our web site for replacement parts and product support www.zinchq.com or call our customer service line on 01582 670100

● Handlebar Steer Tube Assembly

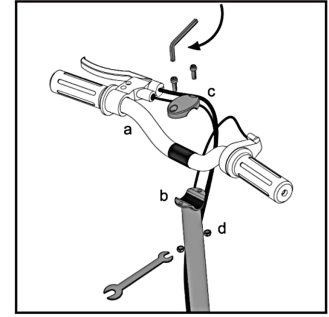
Tools required: 5mm allen key, 10 mm spanner



1 Depress the push button (a) located on the rear of the fork and insert the handlebar stem until the button locks securely into the fork.



2 Tighten the bolts with the 5mm allen key and 10mm spanner. Tighten bolts evenly and securely.



3 Align handlebars both vertically and horizontally (a) onto handlebar steer tube clamp (b) install handlebar clamp and hardware (c&d) and tighten evenly and securely with the 5mm allen key and 10mm spanner.

Charging the Battery

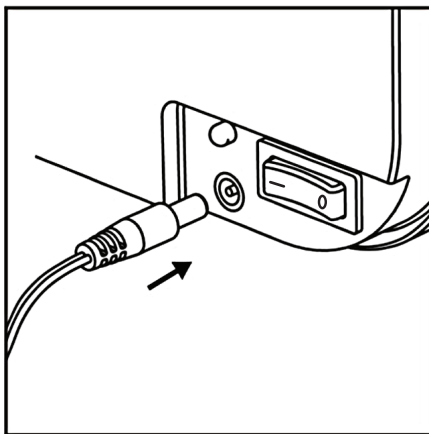


WARNING: The scooter must always be switched off while being charged.

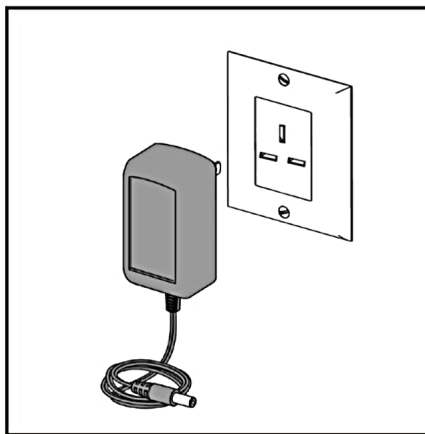
Your electric scooter will not have a fully charged battery. 12 hours minimum charge time for the battery prior to use is required.

- Initial battery charge time: 12 hours
- Runtime: Up to 40 minutes of continuous ride time
- Recharge time: Up to 5 hours after the initial 12 hour charge time.
- Average battery life: 360 charge/discharge cycles

Note: Batteries must be recharged at least once a month even when the scooter is not in use. Failure to do so may result in batteries that will no longer accept charge.



1 Make sure power switch is in the OFF position before plugging in the charger. Insert charger into charging port on the right side of the battery box.



2 Plug the charger into a wall power outlet. The light on the charger housing should illuminate. Red LED light indicates battery is charging and a green LED light indicates battery is fully charged.



WARNING: Always disconnect your scooter from the charger before cleaning with liquid.

- Your charger may get warmer during use; this is normal and is no cause for concern.
- Chargers have built-in over-charge protection to prevent the battery from being over-charged.
- Battery chargers used with the scooter are to be regularly examined for damage to the cord, plug, enclosure and other parts, and in the event of such damage, they must not be used.

- **Brake** Check the brakes for proper function. When you squeeze the lever, the brake should provide positive braking action. When you apply the brake with the speed control on, the brake cut-off switch should stop the motor. Make sure that brakes are not rubbing.
- **Frame, Fork and Handlebars** Check for cracks or broken connections. Although broken frames are rare, it is possible for an aggressive rider to run into a curb or wall and damage and bend or break a frame. In doing so you will invalidate the warranty. Get in the habit of inspecting your scooter on a regular basis.
- **Wheels** Periodically inspect the wheels for excess wear, and replace if necessary.
- **Protective Equipment** Always wear appropriate protective gear such as an approved safety helmet, elbow pads and knee pads. Always wear athletic shoes (lace-up shoes with rubber soles). Never ride barefooted or in sandals. Keep shoelaces tied and out of the way of the wheels, motor and drive system.
- **Battery** Make sure the power switch is turned off whenever the scooter is not in use. Never store the product in freezing or below freezing temperatures! Freezing will permanently damage the battery.
- **Throttle/Handle** When the scooter is not in use please ensure the kick stand is used at all times. If dropped, essential components can be damaged and could effect the use and running of the scooter as well as invalidate the warranty. If you damage this part of the scooter it is strongly advised that you replace the damaged parts as soon as possible to avoid any accident caused by making contact with the these parts.



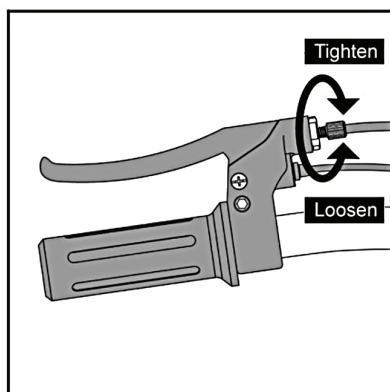
Failure to follow these instructions may damage your product and void your warranty.

REPAIR AND MAINTENANCE

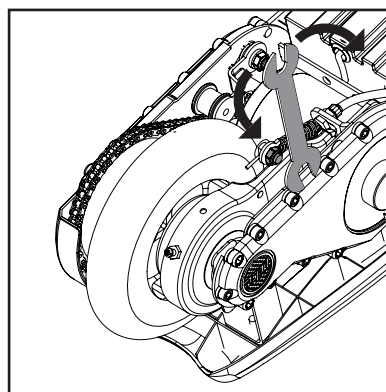
Turn power switch "OFF" before conducting any maintenance procedures.

● Adjusting the Brakes

Tools required: 10mm spanner



1 To adjust the brake cable thread clockwise (tighten) or counter clockwise (loosen) the adjuster barrel in small increments until the desired adjustment is reached. If brake continues to need further adjustment proceed to the next step.



2 If brake cable is still either too tight or too loose use a 10mm spanner to loosen the brake cable. Pinch bolt for further adjustment on the cable. Ensure that the 10mm nut is securely tightened after the adjustment is made.

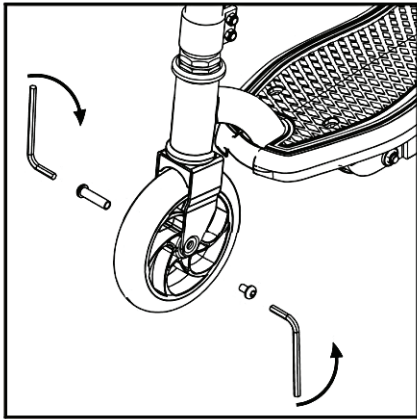


WARNING: The brake could be capable of locking up and skidding the rear wheel if not applied correctly. Always try and avoid skidding as this could cause you to lose control of the scooter and will cause damage to the rear wheel. Practice using the brake in an unobstructed open area to become familiar with its function and be able to make smooth controlled stops.

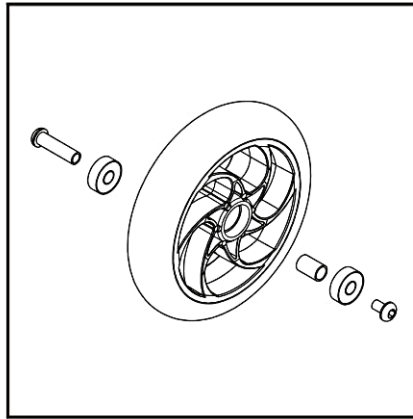
Need Help? Visit our web site for replacement parts and product support www.zinchq.com or call our customer service line on 01582 670100

● Front Wheel Replacement

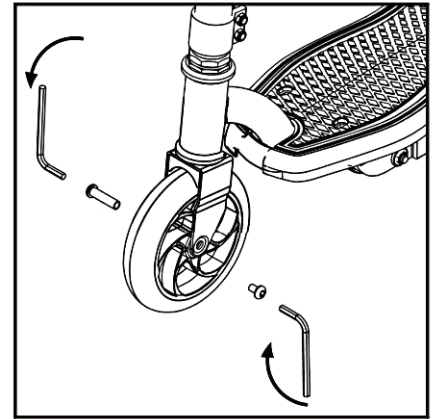
Tools required: Two 5mm allen keys



1 Using two 5mm allen keys loosen and remove the front axle by turning the spanners counter clockwise.



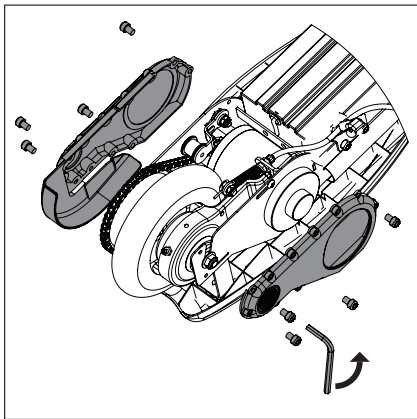
2 Reinstall new replacement wheel ensuring to note the order and location of all components.



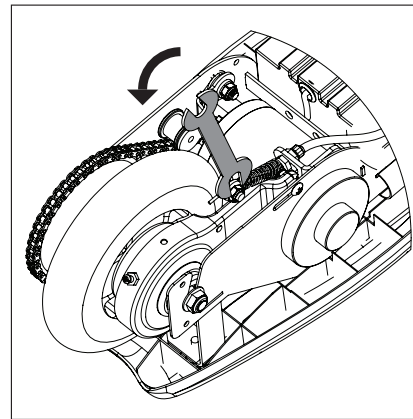
3 Reinstall hardware and tighten clockwise with a 5mm allen key.

● Chain and Rear Wheel Replacement

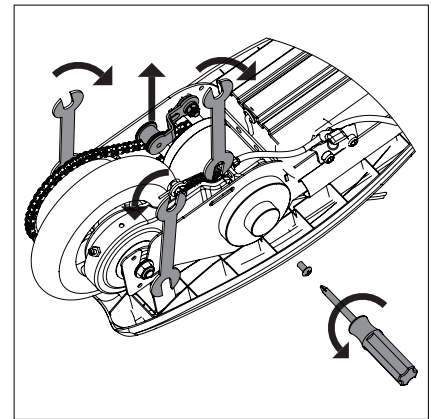
Tools required: 4mm allen key, two 13mm spanners, 10mm spanner, Phillips screwdriver,



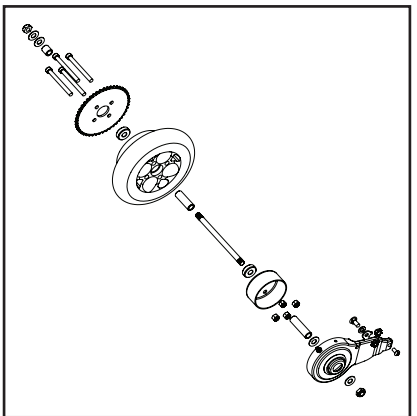
1 Using a 4mm allen key remove the 4 bolts from the rear axle cover on both sides of the scooter.



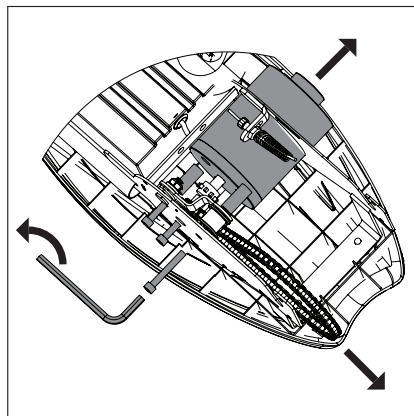
2 Loosen brake cable pinch nut with 10mm spanner.



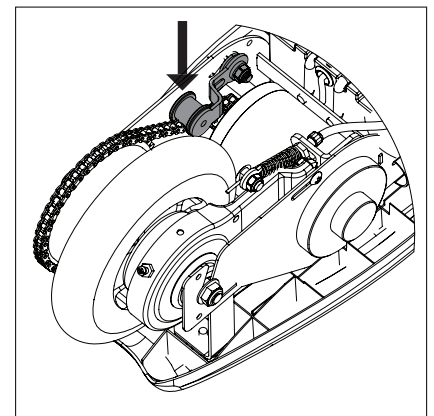
3 Remove the brake arm bolt with a Phillips screwdriver and 10mm spanner. Using two 13mm spanners, loosen the rear wheel axle nuts. Pull the chain tensioner and remove the rear wheel from the frame.



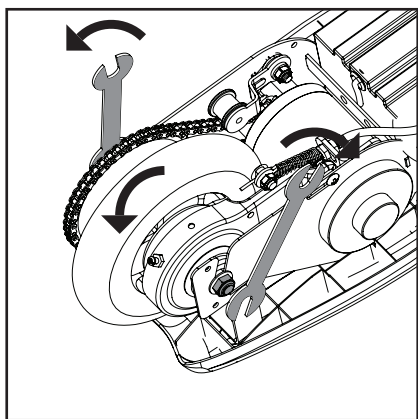
4 Note the location of all rear wheel hardware and ensure to properly reinstall all items.



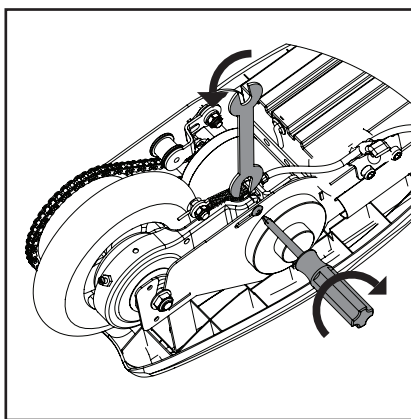
5 If replacing the chain remove the motor bolts with a 4mm allen key. Slide motor out of the frame slightly so that there is enough room to remove/replace the chain onto the motor gear. Replace spacers and retighten bolts.



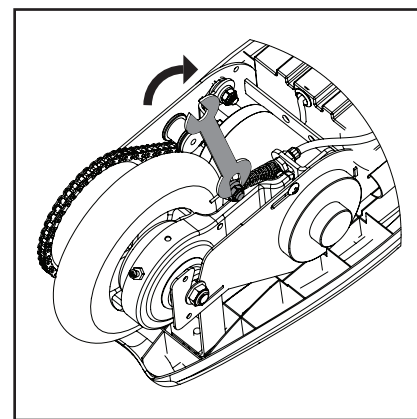
6 Place the chain under tensioner wheel and onto the rear chain wheel gear and install replacement wheel into the frame. Do not tighten axle nuts yet. Install brake arm hardware, do not tighten yet.



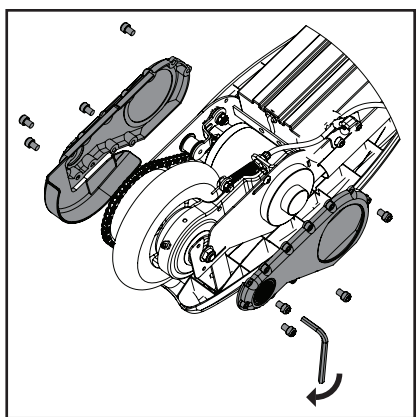
7 Ensure axle washers are seated correctly against the frame. After tightening axle nuts with a 13mm spanner, check wheel alignment and the tracking of the chain by rotating the wheel counter clockwise with your hand. Wheel should spin freely and easily.



8 Retighten the brake arm bolt with a Phillips screwdriver and 8mm spanner.



9 Retighten brake cable pinch nut with 10mm spanner. Refer to the instructions on page 4 for proper adjustment.



10 Reinstall side covers with a 4mm Allen Key. Do not over tighten.

● **Battery Care and Disposal**

Do not store the battery in temperatures above 75° or below -10° F.



CONTAINS SEALED LEAD BATTERIES. BATTERIES MUST BE RECYCLED. Your Zinc product uses sealed lead-acid batteries which must be recycled or disposed of in an environmentally sound manner. Do not dispose of a lead-acid battery in a fire. The battery may explode or leak. Do not dispose of a lead-acid battery in your regular household trash. The incineration, land filling or mixing of sealed lead-acid batteries with household trash is prohibited by law in most areas. Return exhausted batteries to a local, approved lead-acid battery recycler or a local seller of automotive.

● **Charger** The charger supplied with the scooter should be regularly examined for damage to the cord, plug, enclosure and other parts and in the event of such damage the scooter must not be charged until the charger has been repaired or replaced.

● **Replacement Parts** For a complete selection of replacement parts visit www.zincsports.com.



WARNING: If a battery leak develops, avoid contact with the leaking acid and place the damaged battery in a plastic bag. Refer to the disposal instructions above. If acid comes into contact with skin or eyes, wash with cool water for at least 15 minutes and contact a doctor.

Need Help? Visit our web site for replacement parts and product support www.zinchq.com or call our customer service line on 01582 670100

Problem	Possible Cause	Solution
Scooter will not run	Battery is not charged	Fully charge the battery. First charge for at least 12 hours before using the scooter for the first time and up to 5 hours for recharges.
	Wires or connectors are loose or unplugged	Check all connectors. Make sure the charger connector is tightly plugged into both the wall and the scooter.
	Charger is not working	Make sure power flow to the wall outlet is on.
Scooter suddenly stopped working while in use	Tripped circuit breaker	Check all wires and connectors to make sure they are tight. <div data-bbox="386 584 625 775" data-label="Image"> </div> <div data-bbox="810 584 1246 647" data-label="Text"> <p>The reset button will automatically shut off the power if the motor is overloaded.</p> </div> <p>An excessive overload, such as too heavy a rider or too steep a hill, could cause the motor to overheat. If the scooter suddenly stops running, wait a few seconds and then push the reset button to reset the circuit. Correct the conditions that caused the reset button to trip to avoid repeatedly tripping the reset button.</p>
	Undercharged battery	Charge the battery. A new battery should be charged for at least 12 hours before using the scooter for the first time and up to 5 hours after each subsequent use. Check all wires and connectors. Make sure the battery connector is tightly plugged into the charger connector, and that the charger is plugged into the wall.
Short run time (less than 15 minutes per charge)	Battery is old and will not accept full charge	Make sure power flow to the wall outlet is on. Even with proper care, a rechargeable battery does not last forever. Average battery life is 1 to 2 years depending on scooter use and conditions. Replace only with a Zinc replacement battery.
	Brakes are not adjusted properly	Refer to adjusting the brakes instructions on page 4.
	Scooter runs sluggishly	Riding conditions are too stressful Use only on solid, flat, clean and dry surfaces such as pavement or level ground.
Scooter runs sluggishly	Scooter is overloaded	Make sure you do not overload the scooter by allowing more than one rider at a time, exceeding the electric scooters (70kg) maximum weight limit, going up a hill or towing objects behind the scooter. If the scooter is overloaded, the reset button may trip and shut off power to the motor. Correct the riding conditions that caused the overload, wait a few seconds, and then push the reset button to reset the circuit. Avoid repeatedly tripping the reset button.
	Brakes are not adjusted properly	Refer to adjusting the brakes instructions on page 4.
Problem	Possible Cause	Solution
Sometimes the scooter doesn't run, but other times it does	Loose wires or connectors	Check all wires around the motors and all connectors to make sure they are tight.
	Motor or electrical switch damage	Contact Zinc customer services (01582 670100) for diagnosis and repair options.
Scooter makes loud noises or grinding sounds	Chain is too dry	Apply a suitable lubricant to the chain.

WARRANTY

Zinc® Warranty The manufacturer warrants this product to be free of manufacturing defects for a period of 90 days from date of purchase. This Limited Warranty does not cover normal wear and tear, tires, tubes or cables, any damage, failure or loss caused by improper assembly, maintenance, storage or use of the Zinc Volt 120 scooter.

This Limited Warranty will be void if the product is ever:

- used in a manner other than for recreation or transportation
- in any way rented.

The manufacturer is not liable for incidental or consequential loss or damage due directly or indirectly to the use of this product.

Zinc does not offer an extended warranty. If you have purchased an extended warranty, it must be honored by the store at which it was purchased.

For your records, save your original sales receipt with this manual and write the serial number below.

YOUR INSURANCE POLICIES MAY NOT PROVIDE COVERAGE FOR ACCIDENTS INVOLVING THE USE OF THIS SCOOTER/ELECTRIC VEHICLE. TO DETERMINE IF COVERAGE IS PROVIDED, YOU SHOULD CONTACT YOUR INSURANCE COMPANY.

Need Help? Visit our web site for replacement parts and product support www.zinchq.com or call our customer service line on 01582 670100

Hy-Pro International
Hy-Pro House, Centrus Park, Arenson Way, Dunstable LU5 5BN, UK
www.hy-pro.co.uk