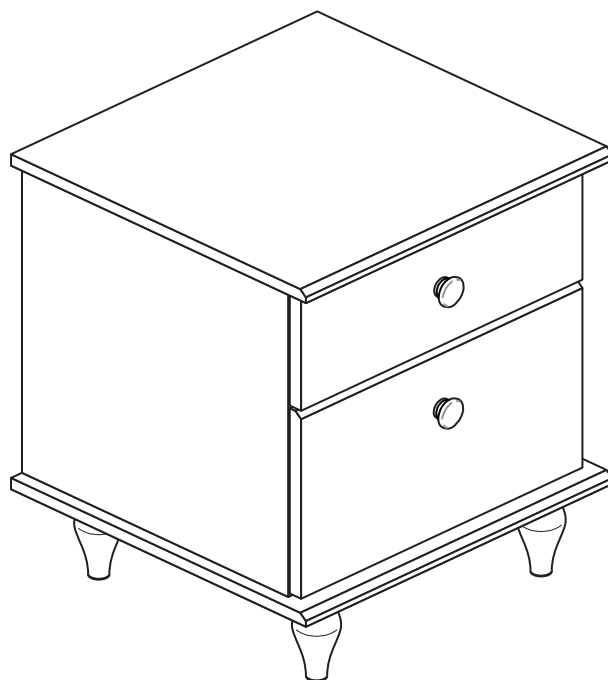


# Victoriana - 2 Drawer Bedside

Assembly Instructions - Please keep for future reference

246/3346

226/2107



## Dimensions

Width - 40.5cm

Depth - 39cm

Height - 55.5cm



**MADE IN  
BRITAIN**

**Important** - Please read these instructions fully before starting assembly

If you need help or have damaged or missing parts, call the **Customer Helpline: 08456 400800**



# Safety and Care Advice

**Important - Please read these instructions fully before starting assembly**

- **Warning:** This unit weighs approximately 12.5kgs. Please lift with care.

- Check you have all the components and tools listed on pages 2 and 3.

- Remove all fittings from the plastic bags and separate them into their groups.

- Keep children and animals away from the work area, small parts could choke if swallowed.

- Parts of the assembly will be easier with 2 people.

- Make sure you have enough space to layout the parts before starting.

- Do not stand or put weight on the product, this could cause damage.

- Assemble the item as close to its final position (in the same room) as possible.

- Assemble on a soft level surface to avoid damaging the unit or your floor (use opened out unit carton).



- We do not recommend the use of power drill/drivers **for inserting screws**, as this could damage the unit. Only use hand screwdrivers.

- **Safety note:** If there is any chance of this unit being pulled over by children etc. it is recommended that the unit is secured to a wall using suitable fixings (not supplied).

- Dispose of all packaging carefully and responsibly.

## Care and maintenance

- Only clean using a damp cloth and mild detergent, do not use bleach or abrasive cleaners.

- From time to time check that there are no loose screws on this unit.

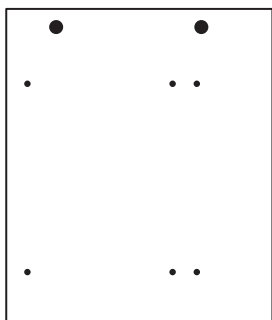
- This product should not be discarded with household waste. Take to your local authority waste disposal centre.

**Note:** If required the next page can be cut out and used as reference throughout the assembly. Keep this page with these instructions for future reference.

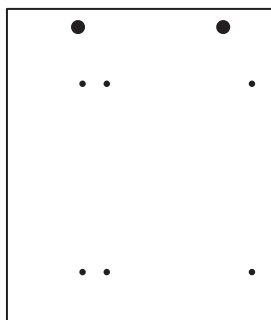
# Components - Panels

If you have damaged or missing components, call the  
**Customer Helpline: 08456 400800** quoting the reference  
numbers below

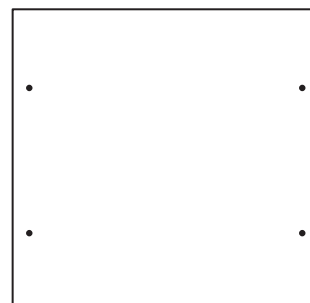
Please check you have all the panels listed below



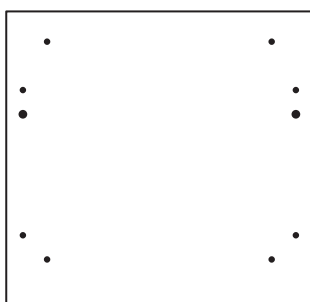
**1** Left Side (D2991A)  
(413 x 352mm)



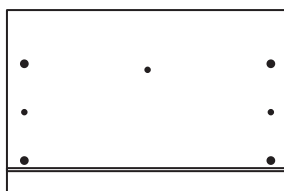
**2** Right Side (D2992A)  
(413 x 352mm)



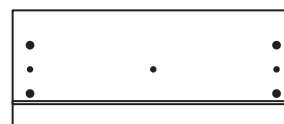
**3** Top (D2990A)  
(405 x 390mm)



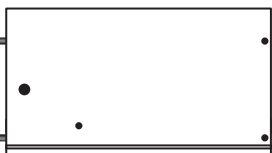
**4** Base (D2993A)  
(405 x 390mm)



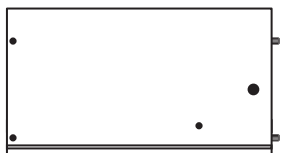
**5** Large Drawer Front (D2995A)  
(372 x 245mm)



**6** Small Drawer Front (D2994A)  
(372 x 156mm)



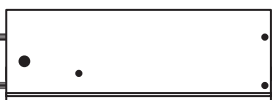
**7** Large Left Drawer  
Side (W350-195LH)  
(350 x 195mm)



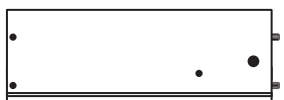
**8** Large Right Drawer  
Side (W350-195RH)  
(350 x 195mm)



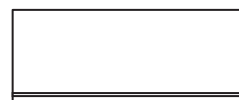
**9** Large Drawer  
Back (W313-195)  
(313 x 195mm)



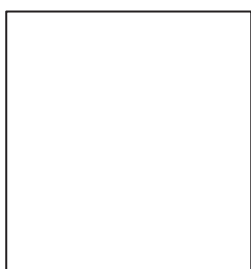
**10** Small Left Drawer  
Side (W350-124LH)  
(350 x 124mm)



**11** Small Right Drawer  
Side (W350-124RH)  
(350 x 124mm)



**12** Small Drawer  
Back (W313-124)  
(313 x 124mm)



**13** Drawer Base (T324-347)  
(324 x 347mm) x 2



**14** Back (X439-372)  
(439 x 372mm)

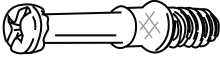



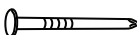








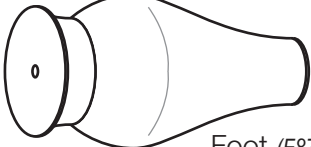




# Components - Fittings

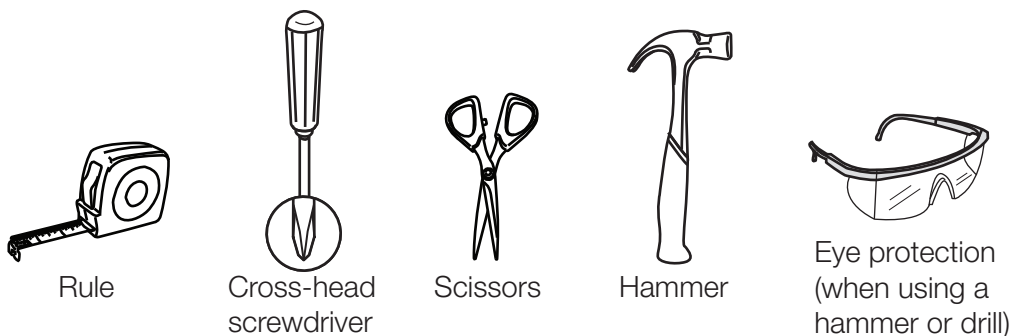
If you have damaged or missing components, call the **Customer Helpline: 08456 400800** quoting the reference numbers below

Please check you have all the fittings listed below

**Note:** The quantities below are the correct amount to complete the assembly. In some cases more fittings may be supplied than are required.

<p><b>A</b> </p> <p>Metal dowel (F901) x 8</p>	<p><b>B</b> </p> <p>Large locking nut (F900) x 4</p>	<p><b>C</b> </p> <p>Small locking nut (F3) x 4</p>
<p><b>D</b> </p> <p>Wooden dowel (F22) x 2</p>	<p><b>E</b> </p> <p>Nail (F51) x 10</p>	<p><b>F</b> </p> <p>Knock-in Peg (F171GY) x 8</p>
<p><b>G</b> </p> <p>40mm Screw (F910) x 4</p>	<p><b>H</b> </p> <p>38mm Screw (F81) x 2</p>	<p><b>I</b> </p> <p>9mm Screw (F73) x 8</p>
<p><b>J</b> </p> <p>9mm Screw (F74) x 4</p>	<p><b>K</b> </p> <p>Wedgefix (F639) x 4</p>	<p><b>L</b> </p> <p>Handle (F463) x 2</p>
<p><b>M</b> </p> <p>Drawer runner (F1004) x 4</p>		<p><b>N</b> </p> <p>Foot (F872) x 4</p>
<p><b>O</b> </p> <p>50mm Screw (F49) x 4</p>	<p><b>P</b> </p> <p>Allen Key (F36) x 1</p>	

## Tools required



Ruler - Use this ruler to help correctly identify the screws



# Assembly Instructions

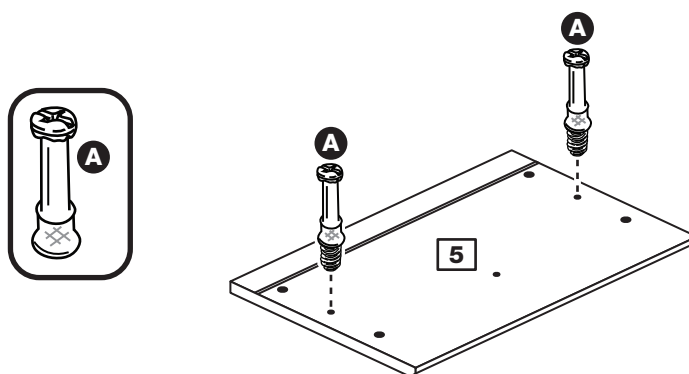
If you have damaged or missing components, call the  
**Customer Helpline: 08456 400800** quoting the reference  
numbers below

## Step 1

### Prepare the large drawer front

Screw 2 metal dowels **A** into the large drawer front **5**.

**Note:** Tighten the metal dowels up fully against the panels.

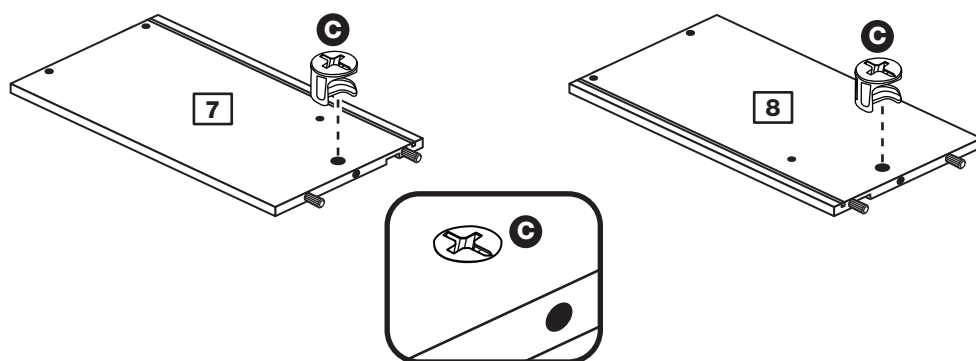


## Step 2

### Prepare the large drawer sides

Insert a small locking nut **C** into the hole shown on the large left drawer side **7** and the large right drawer side **8**.

**Note:** The arrow on the locking nut **must** point towards the hole in the edge of the panel.



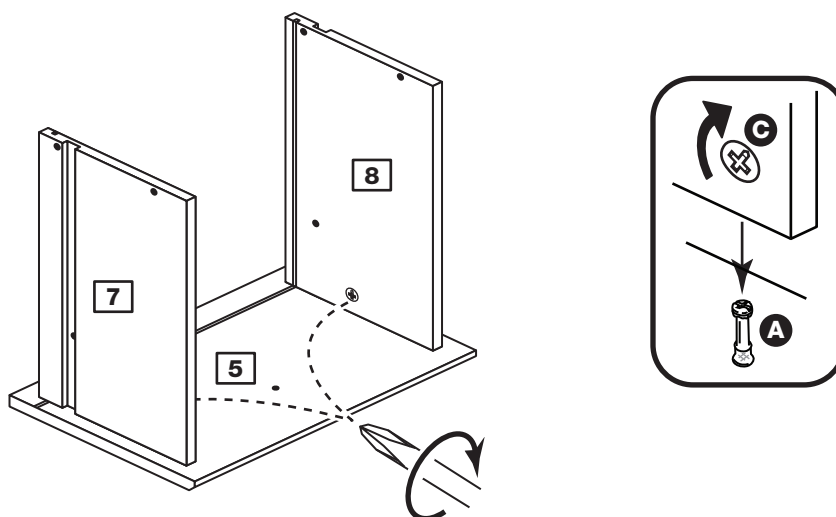
## Step 3

### Attach the large drawer sides to the large drawer front

Push the large left drawer side **7** and large right drawer side **8** onto the back of the large drawer front **5**.

Turn the small locking nuts **C** on the large left drawer side **7** and large right drawer side **8**.

**Note:** Turn the locking nuts **C** clockwise to secure panels - more than 1/2 a turn.

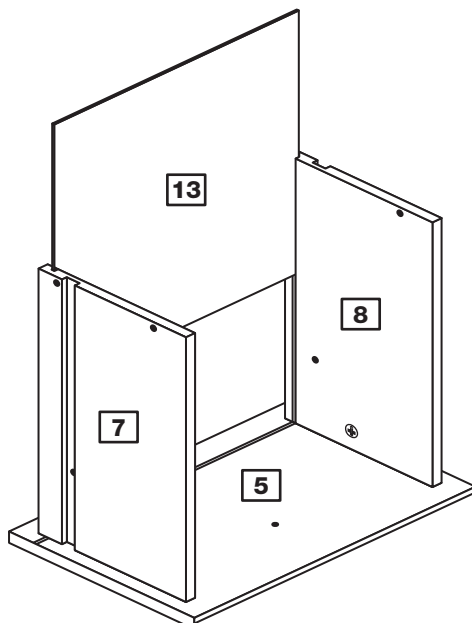


# Assembly Instructions

## Step 4

### Fit the drawer base

Slide the drawer base **13** down the grooves in the large drawer sides **7** and **8** and down into the groove in the large drawer front **5**.

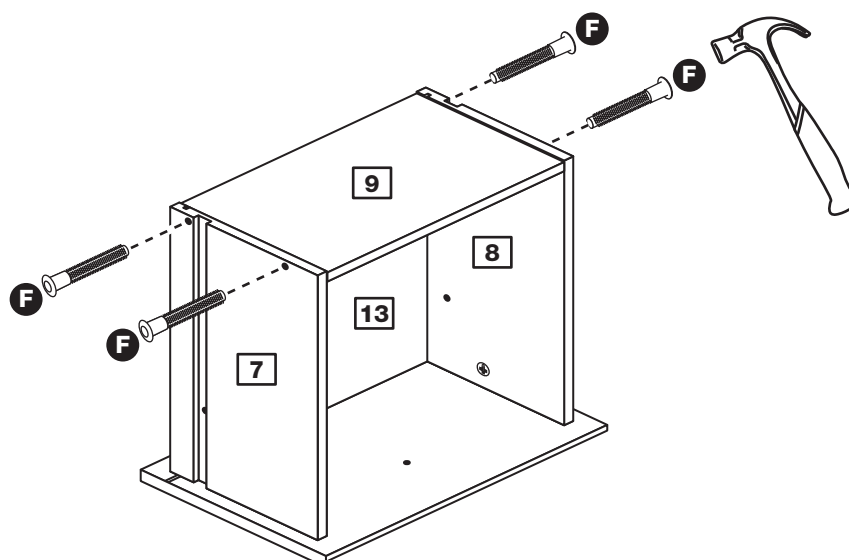


## Step 5

### Fit the large drawer back

Fit the large drawer back **9** between the large drawer sides **7** and **8**. Make sure that the drawer base **13** fits into the groove in the large drawer back **9**.

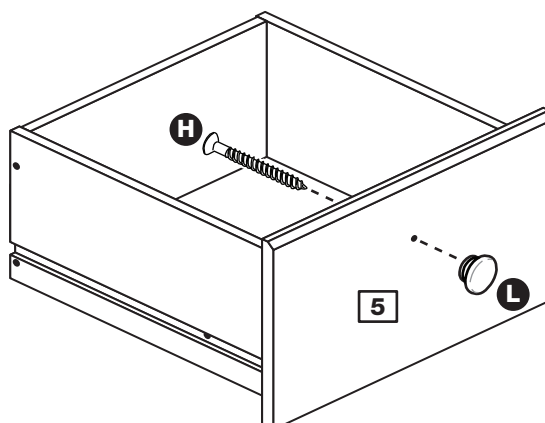
Hold the large drawer back **9** in position and tap the knock-in pegs **F** through the holes in the large drawer sides **7** and **8**.



## Step 6

### Attach the handle

Attach a handle **L** to the large drawer front **5** using screw **H**.

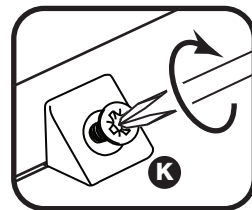
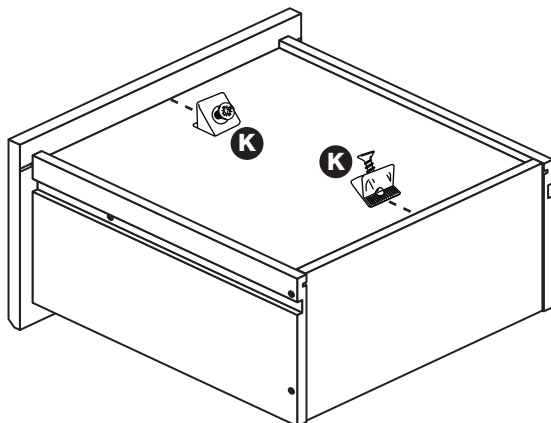


# Assembly Instructions

## Step 7

### Fit the wedgexes

Turn the large drawer assembly over and slide 2 wedgexes **K** into the front and back grooves, as shown, and tighten up the screws.

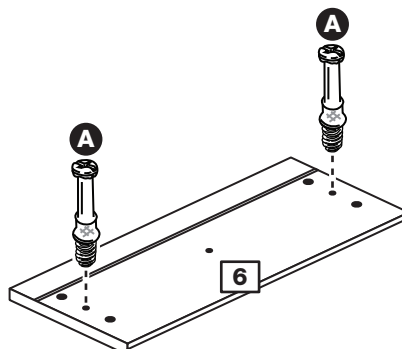
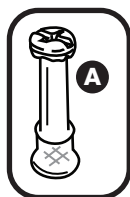


## Step 8

### Prepare the small drawer front

Screw 2 metal dowels **A** into the small drawer front **6**.

**Note:** Tighten the metal dowels up fully against the panels.

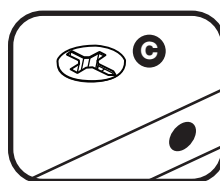
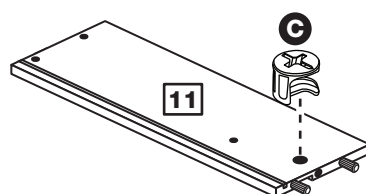
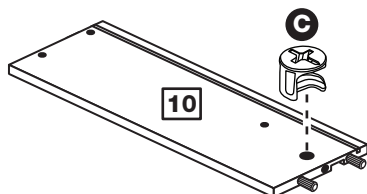


## Step 9

### Prepare the small drawer sides

Insert a small locking nut **C** into the hole shown on the small left drawer side **10** and the small right drawer side **11**.

**Note:** The arrow on the locking nut **must** point towards the hole in the edge of the panel.



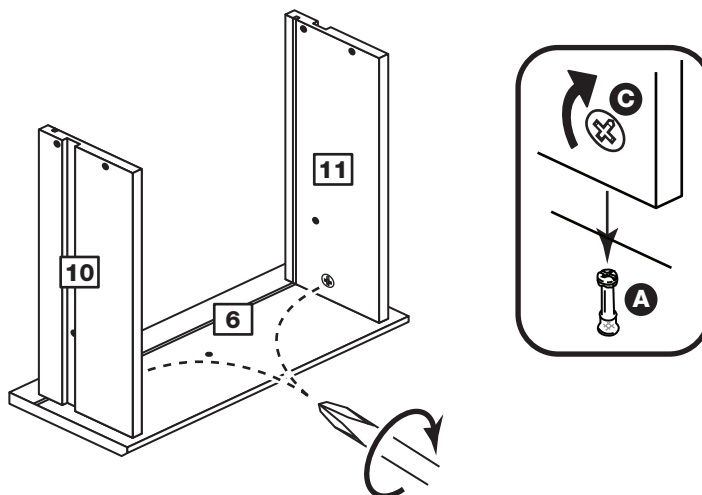
# Assembly Instructions

## Step 10

### Attach the small drawer sides to the small drawer front

Push the small left drawer side **10** and small right drawer side **11** onto the back of the small drawer front **6**.

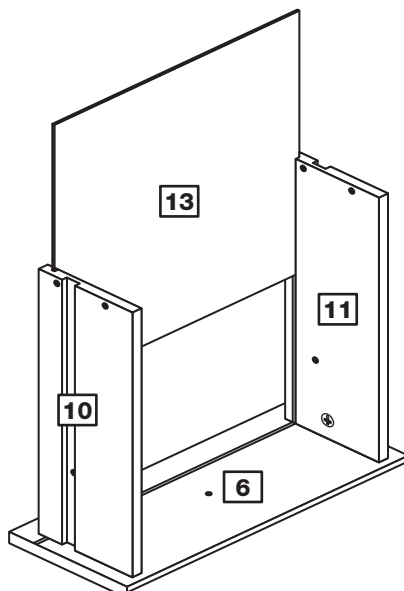
Turn the small locking nuts **C** on the small left drawer side **10** and small right drawer side **11**.



## Step 11

### Fit the drawer base

Slide the drawer base **13** down the grooves in the small drawer sides **10** and **11** and down into the groove in the small drawer front **6**.

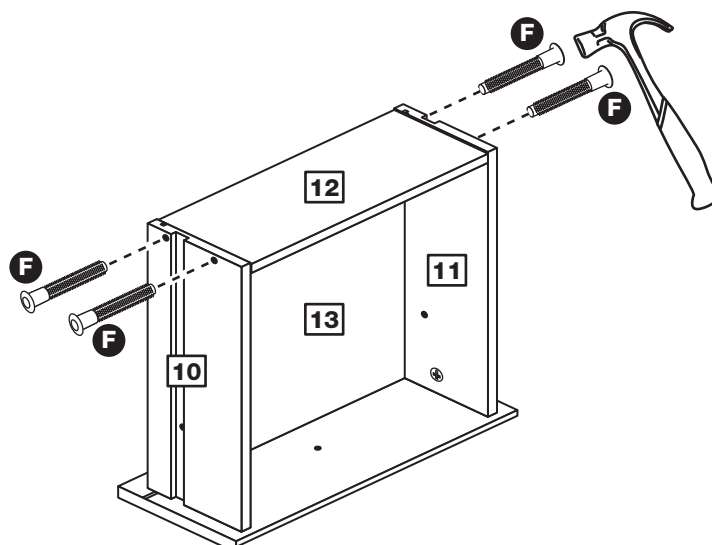


## Step 12

### Fit the small drawer back

Fit the small drawer back **12** between the small drawer sides **10** and **11**. Make sure that the small drawer base **13** fits into the groove in the small drawer back **12**.

Hold the small drawer back **12** in position and tap the knock-in pegs **F** through the holes in the small drawer sides **10** and **11**.



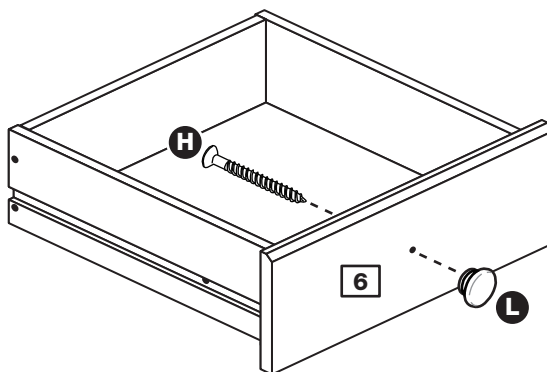


# Assembly Instructions

## Step 13

### Attach the handle

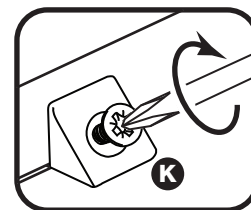
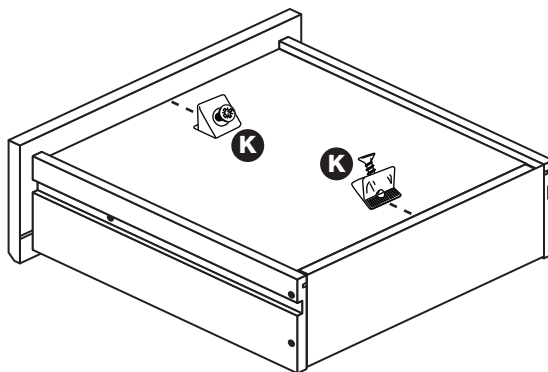
Attach a handle **L** to the small drawer front **6** using screw **H**.



## Step 14

### Fit the wedgfixes

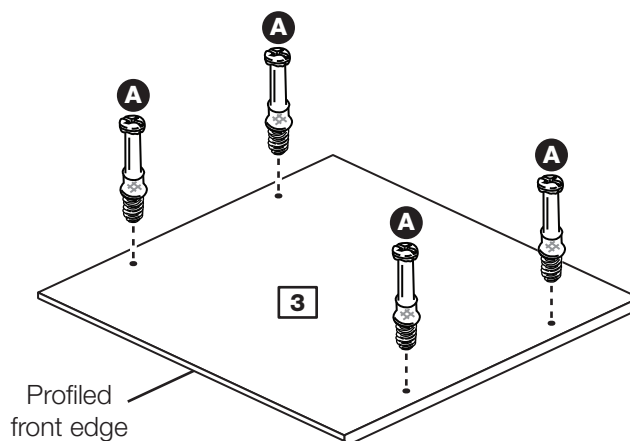
Turn the small drawer assembly over and slide 2 wedgfixes **K** into the front and back grooves, as shown, and tighten up the screws.



## Step 15

### Prepare the top

Screw 4 metal dowels **A** into the top **3**.



# Assembly Instructions

## Step 16

### Prepare the left side

**a:** Place 2 runners **M** on the left side **1**. Slide back the top of runner and use the 2nd hole from the front to fit the 1st screw **I**.

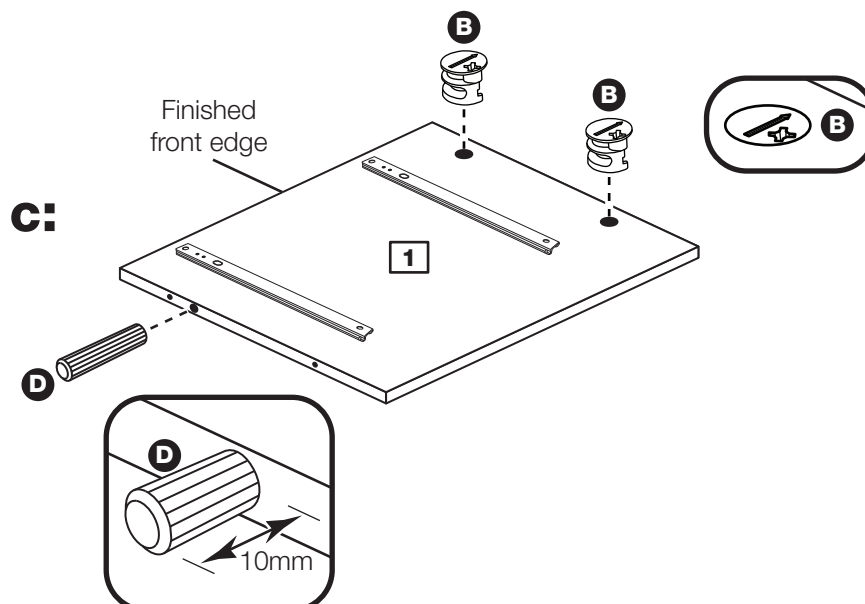
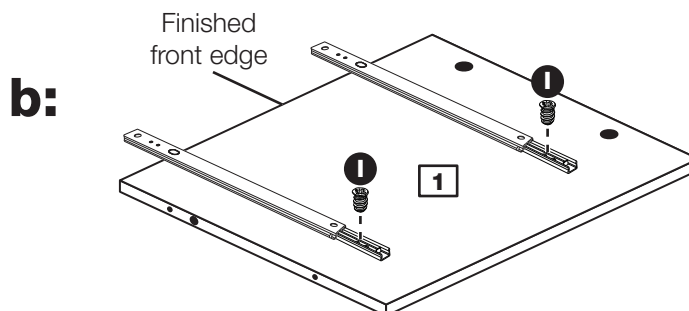
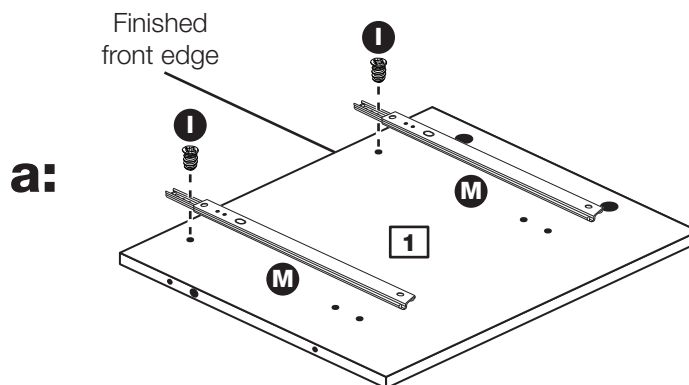
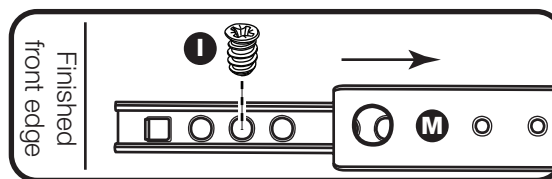
**b:** Slide the runner **M** back the other way and fit the 2nd screw **I** into the corresponding hole in the left side **1**.

**c:** Insert 2 large locking nuts **B** into the left side **1**.

**Note:** The arrow on the locking nut **must** point towards the hole in the edge of the panel.

Tap a wooden dowel **D** into the left side **1**.

**Note:** Wooden dowels **must not** stick out from the edge by more than 10mm or they may damage other panels.



# Assembly Instructions

## Step 17

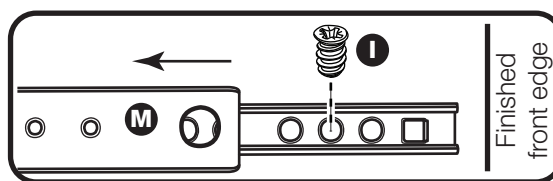
### Prepare the right side

**a:** Place 2 runners **M** on the right side **2**. Slide back the top of runner and use the 2nd hole from the front to fit the 1st screw **I**.

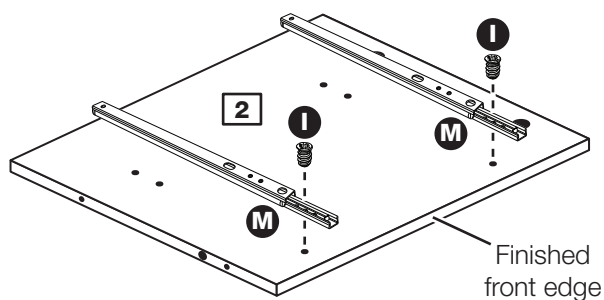
**b:** Slide the runner **M** back the other way and fit the 2nd screw **I** into the corresponding hole in the right side **2**.

**c:** Insert 2 large locking nuts **B** into the right side **2**.

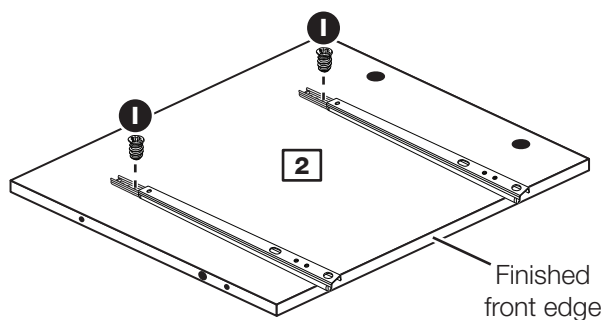
Tap a wooden dowel **D** into the right side **2**.



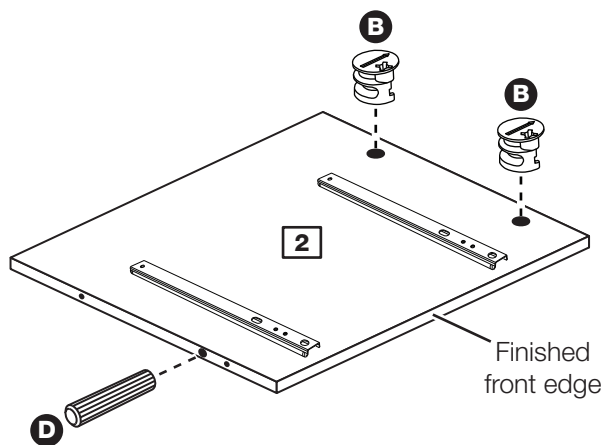
**a:**



**b:**



**c:**



# Assembly Instructions

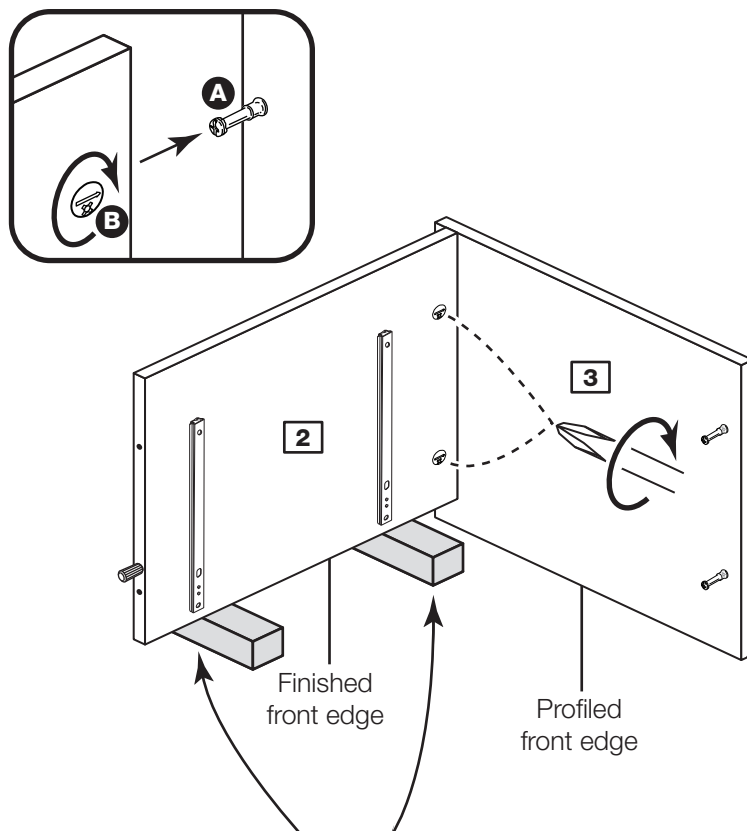
## Step 18

### Join the top and right side

Push the right side **2** onto the top **3**.

Use a screwdriver to tighten the 2 large locking nuts **B** fitted to the right side **2**.

**Note:** Turn the large locking nuts **B** as far as they will go - more than 1/2 a turn.



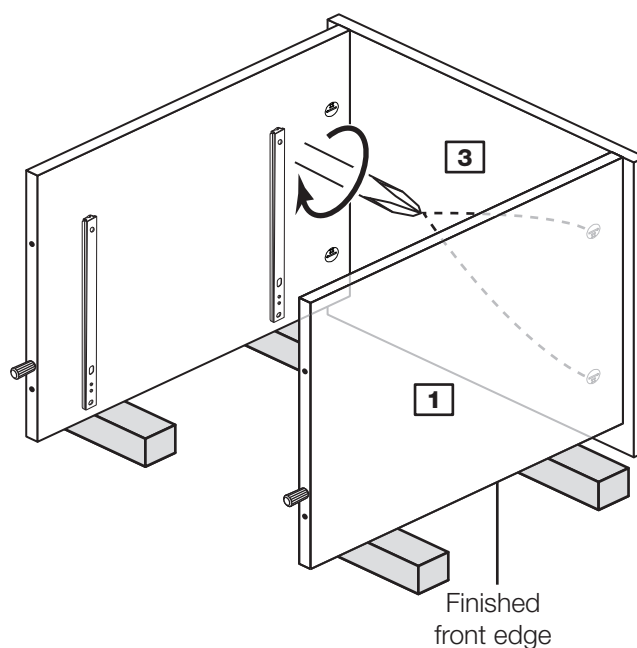
**Note:** To make it easier to fit the top and base panels, place polystyrene blocks from the packaging underneath the side panels to raise the assembly.

## Step 19

### Join the left side

Push the left side **1** onto the top **3**.

Use a screwdriver to tighten the 2 large locking nuts **B** fitted to the left side **1**.

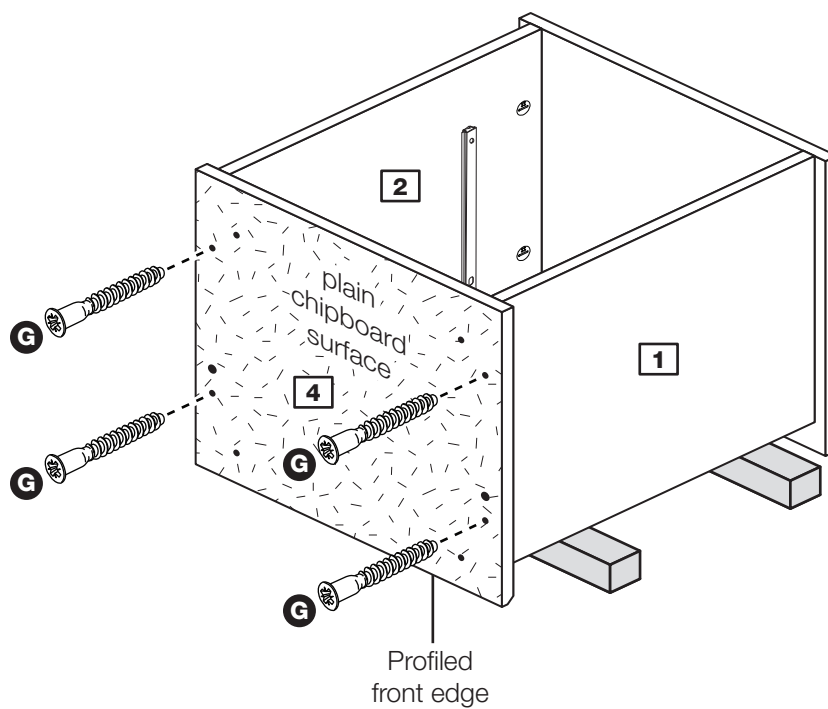


# Assembly Instructions

## Step 20

### Fit the base

Attach the base **4** to the left side **1** and right side **2** using 4 screws **G**.

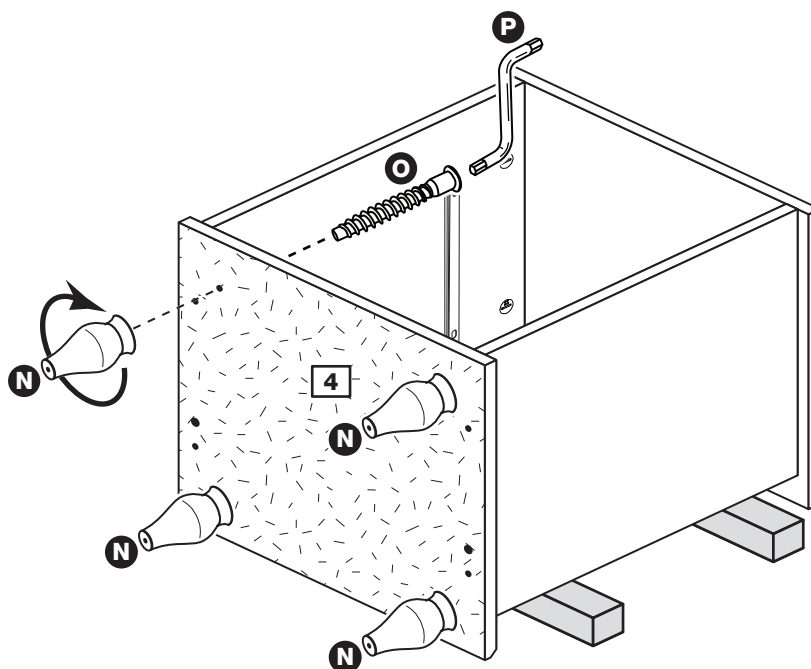


## Step 21

### Fit the feet

Fit the 4 feet **N** to the base **4** using screws **O** and tighten them using the allen key **P**.

**Note:** You may find it easier to turn the foot as the screw is held with the allen key.



# Assembly Instructions

## Step 22

### Fit the back

**a:** Square up the unit by making sure that measurement **x to x** equals **y to y**.

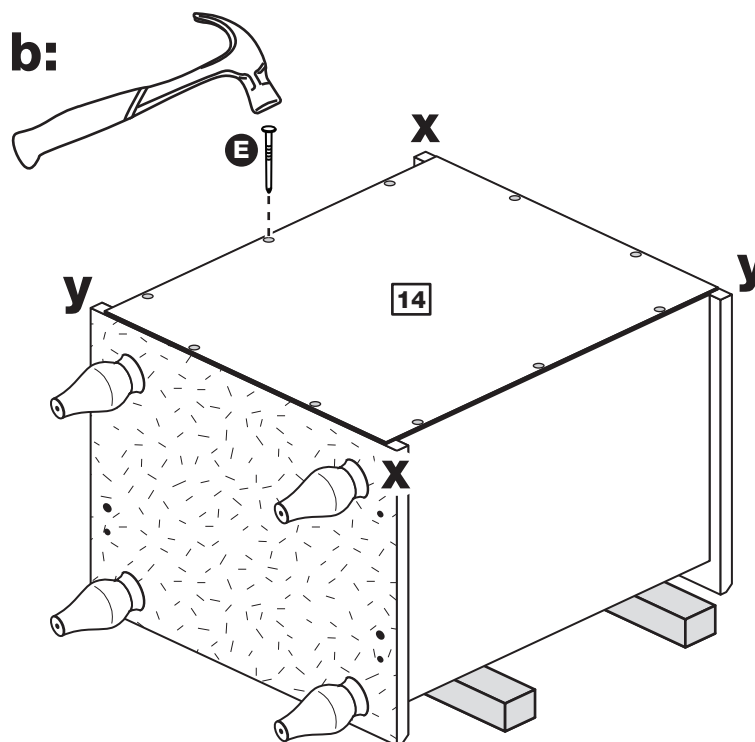
**b:** Place the back **14** onto the unit.

Nail **E** around the outside edges of the back **14**.

**Note:** Nails should be spaced out evenly.

**Stand the unit up for the next step.**

**a:** The measurement from top corner X to bottom corner X must be equal to the measurement from top corner Y to bottom corner Y



# Assembly Instructions

## Step 23

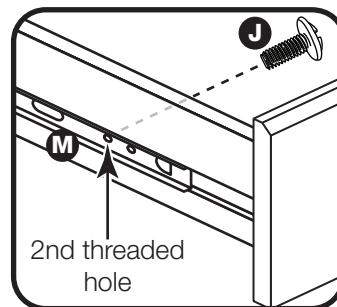
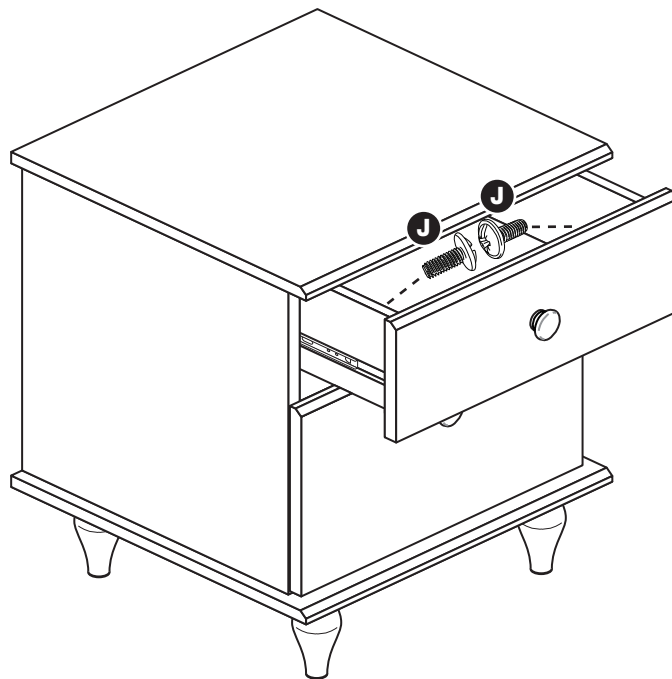
### Fit the drawers

Starting with the large bottom drawer, slide both the runners **M** forward and locate the drawer sides between them, lining up the holes in the drawer wrap with the 2nd 'threaded' holes in the runners **M**.

Working from the inside of the drawer, insert 2 screws **J** through the drawer sides and out into the 2nd threaded hole in the runner.

**Note:** Do not overtighten the screws **J**. If they catch on the runner you may need to loosen them slightly.

**Assembly is complete**



If you need help or have damaged or missing parts, call the Customer Helpline: 08456 400800 and quote the reference numbers on the component pages.

Argos Ltd, 489-499 Avebury Boulevard, Central Milton Keynes, MK9 2NW

