

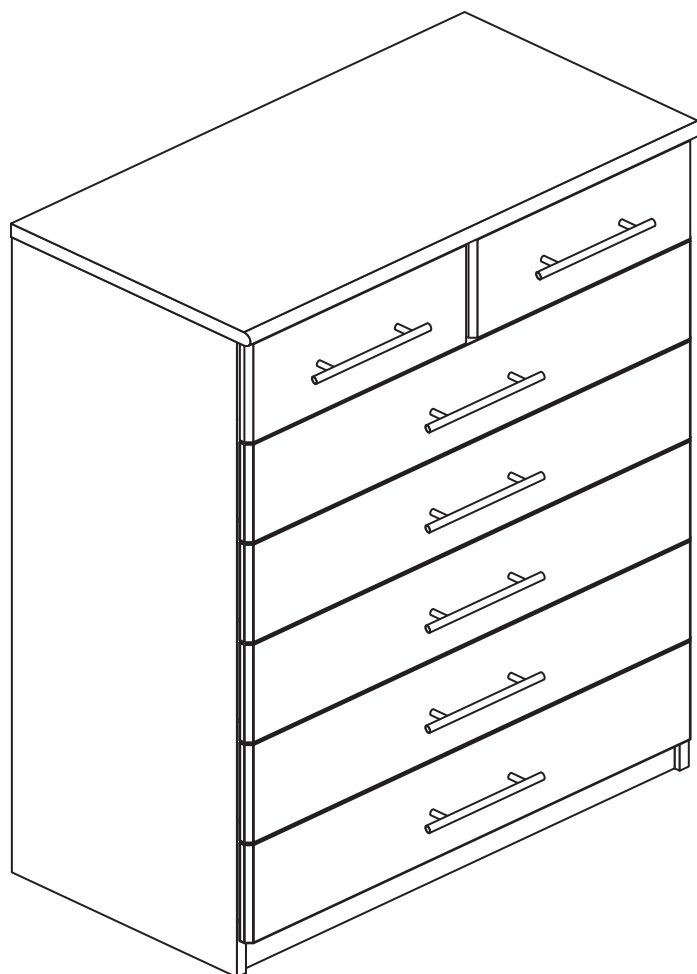
Anderson - 5+2 Drawer Chest

Assembly Instructions - Please keep for future reference

246/5014

238/4872

245/7589



Dimensions

Width - 75cm

Depth - 40cm

Height - 107.5cm



**MADE IN
BRITAIN**

Important - Please read these instructions fully before starting assembly

If you need help or have damaged or missing parts, call the **Customer Helpline: 08456 400800**



Safety and Care Advice

Important - Please read these instructions fully before starting assembly

- **Warning:** This unit weighs approximately 35kgs. Please lift with care.

- Check you have all the components and tools listed on pages 2 and 3.

- Remove all fittings from the plastic bags and separate them into their groups.

- Keep children and animals away from the work area, small parts could choke if swallowed.

- Parts of the assembly will be easier with 2 people.

- Make sure you have enough space to layout the parts before starting.

- Do not stand or put weight on the product, this could cause damage.

- Assemble the item as close to its final position (in the same room) as possible.

- Assemble on a soft level surface to avoid damaging the unit or your floor (use opened out unit carton).



- We do not recommend the use of power drill/drivers **for inserting screws**, as this could damage the unit. Only use hand screwdrivers.

- **Safety note:** It is recommended that this unit is secured to a wall using the bracket supplied.

- Dispose of all packaging carefully and responsibly.

Care and maintenance

- Only clean using a damp cloth and mild detergent, do not use bleach or abrasive cleaners.

- From time to time check that there are no loose screws on this unit.

- This product should not be discarded with household waste. Take to your local authority waste disposal centre.

Note: If required the next page can be cut out and used as reference throughout the assembly. Keep this page with these instructions for future reference.

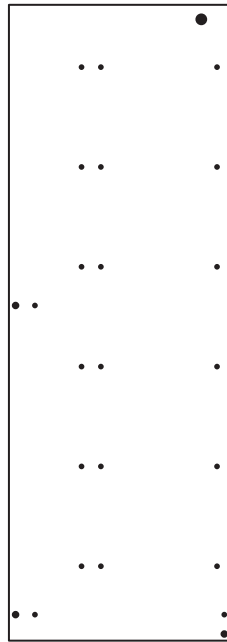
Components - Panels

If you have damaged or missing components, call the **Customer Helpline: 08456 400800** quoting the reference numbers below

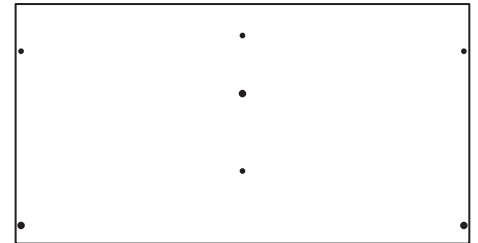
Please check you have all the panels listed below



1 Left Side (D2364B)
(1051 x 372mm)



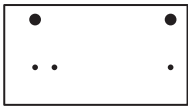
2 Right Side (D2365B)
(1051 x 372mm)



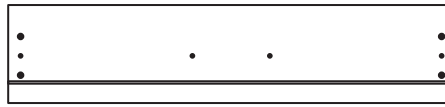
3 Top (D2363A)
(750 x 396mm)



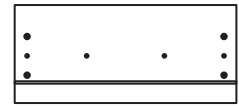
4 Rail (D2370A)
(717 x 60mm) x 3



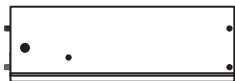
5 Divider (D2369A)
(165 x 303mm)



6 Large Drawer Front (D2366A)
(737 x 162mm) x 5



7 Small Drawer Front (D2367A)
(366.5 x 162mm) x 2



8 Left Drawer Side (W370-124LH)
(370 x 124mm) x 7



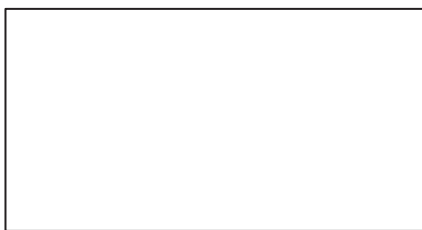
9 Right Drawer Side (W370-124RH)
(370 x 124mm) x 7



10 Large Drawer Back (W684-124)
(684 x 124mm) x 5



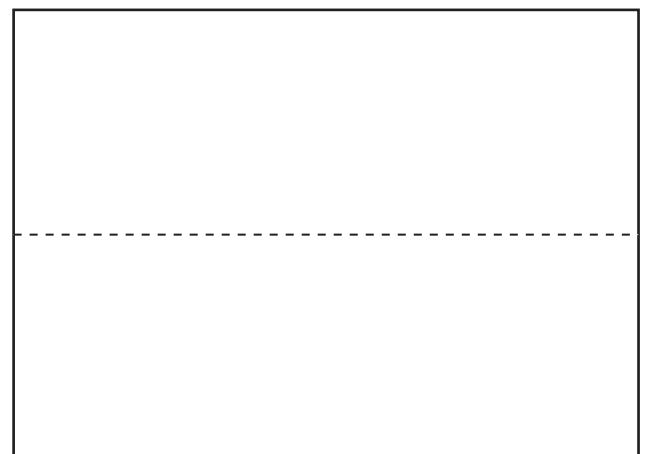
11 Small Drawer Back (W314-124)
(314 x 124mm) x 2



12 Large Drawer Base (T695-367)
(695 x 367mm) x 5



13 Small Drawer Base (T325-367)
(325 x 367mm) x 2



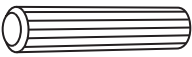
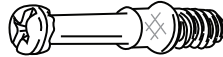


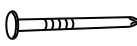

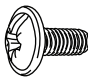

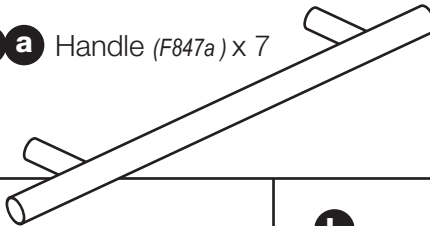


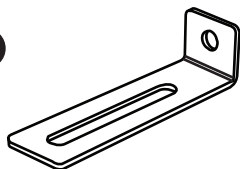


14 Back (X1033-743)
(1033 x 743mm)



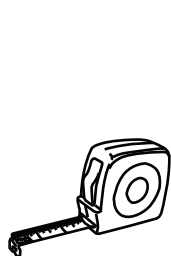
Components - Fittings

Please check you have all the fittings listed below

Note: The quantities below are the correct amount to complete the assembly. In some cases more fittings may be supplied than are required.

<p>A </p> <p>Wooden dowel (F22) x 9</p>	<p>B </p> <p>Metal dowel (F901) x 24</p>	<p>C </p> <p>Large locking nut (F900) x 10</p>	
<p>D </p> <p>Small locking nut (F3) x 14</p>	<p>E </p> <p>Nail (F51) x 28</p>	<p>F </p> <p>9mm Screw (F73) x 28</p>	
<p>G </p> <p>9mm Screw (F74) x 14</p>	<p>H </p> <p>Drawer runner (F1004) x 14</p>		
<p>I a  Handle (F847a) x 7</p>		<p>I b  Handle screw (F847b) x 14</p>	
<p>K </p> <p>13mm Screw (F79) x 1</p>	<p>L </p> <p>Bracket (F327) x 1</p>	<p>M </p> <p>Wedgefix (F639) x 24</p>	
		<p>J </p> <p>Knock-in Peg (F171) x 28</p>	

Tools required



Rule



Cross-head screwdriver



Scissors



Hammer

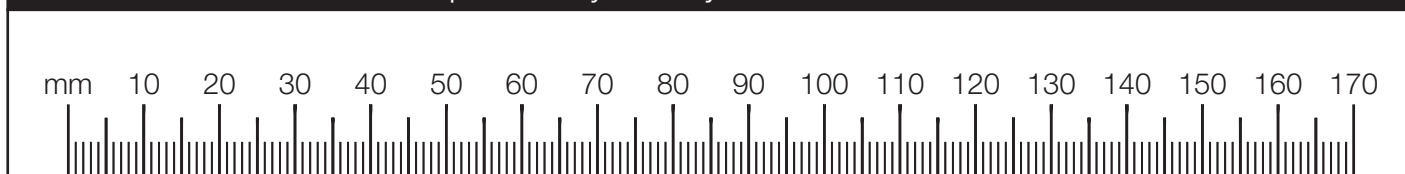


Eye protection
(when using a hammer or drill)



Electric drill
(only use when drilling into walls)

Ruler - Use this ruler to help correctly identify the screws



Assembly Instructions

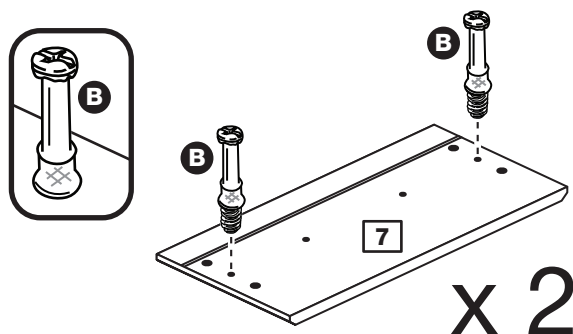
If you have damaged or missing components, call the
Customer Helpline: 08456 400800 quoting the reference
numbers below

Step 1

Prepare the 2 small drawer fronts

Screw 2 metal dowels **B** into the holes shown on the back of the small drawer fronts **7**.

Note: Tighten metal dowels up fully against the panels.



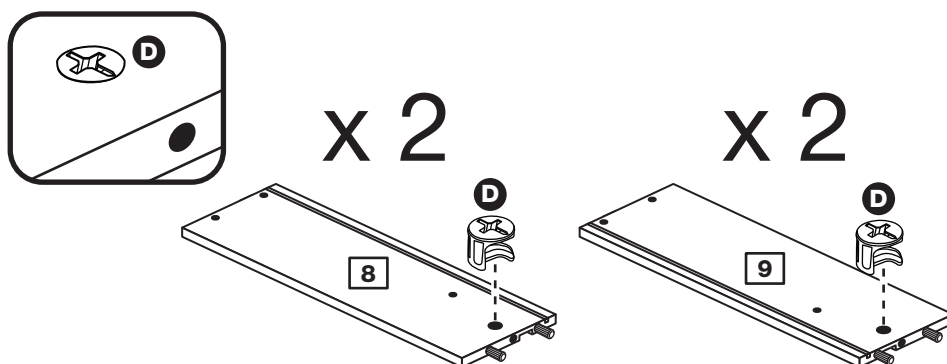
Step 2

Prepare 2 sets of drawer sides

Insert a small locking nut **D** into the hole shown on the left drawer side **8** and right drawer side **9**.

Note: Arrow on locking nut **must** point towards hole in edge of panel.

Note: Due to the manufacturing process, the holes for the locking nut can be on either surface of the drawer sides.



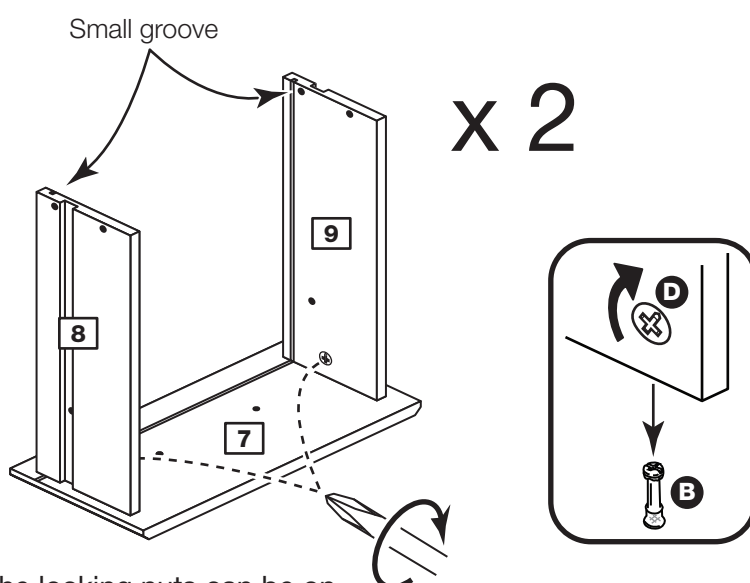
Step 3

Attach the drawer sides to the small drawer front

Push the left drawer side **8** and right drawer side **9** onto the back of the small drawer front **7**.

Turn the small locking nuts **D** on the left drawer side **8** and right drawer side **9**.

Note: Turn the locking nuts **D** clockwise to secure panels - more than 1/2 a turn.



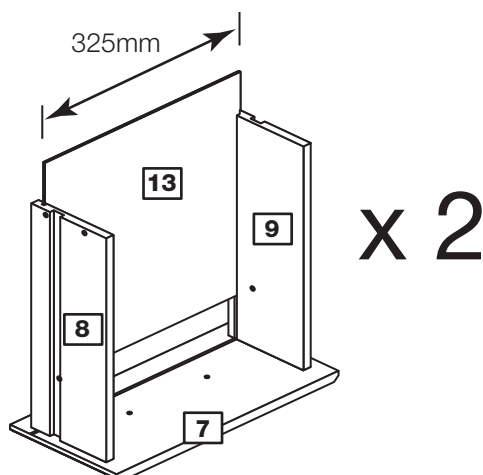
Note: The locking nuts can be on either surface of the drawer sides. Make sure that the small groove is on the inside, as shown.

Assembly Instructions

Step 4

Fit the small drawer base

Slide the small drawer base **13** down the grooves in the drawer sides **8** and **9** then down into the groove in the small drawer front **7**.



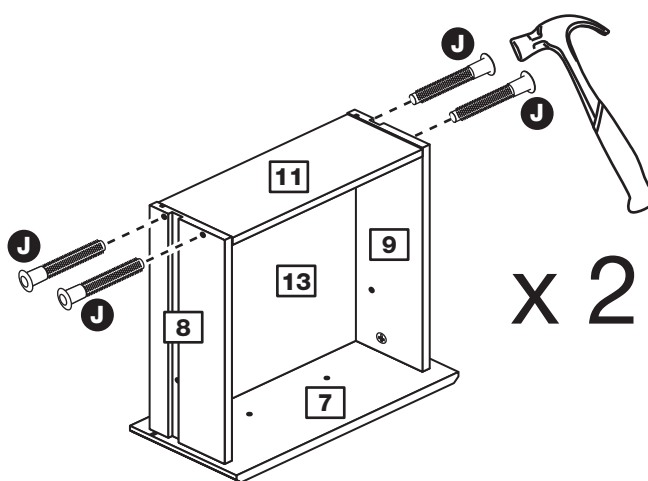
Step 5

Fit the small drawer back

Fit the small drawer back **11** between the drawer sides **8** and **9**.

Make sure that the small drawer base **13** fits into the groove in the small drawer back **11**.

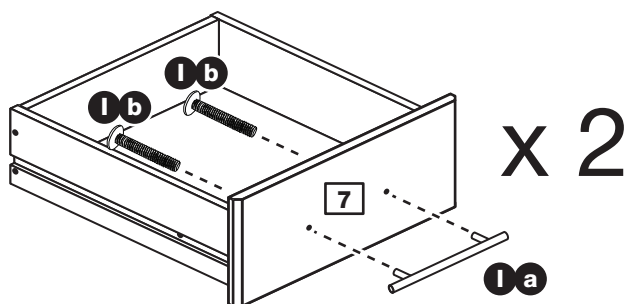
Hold the small drawer back **11** in position and tap the knock-in pegs **J** through the holes in the drawer sides **8** and **9**.



Step 6

Attach the handles

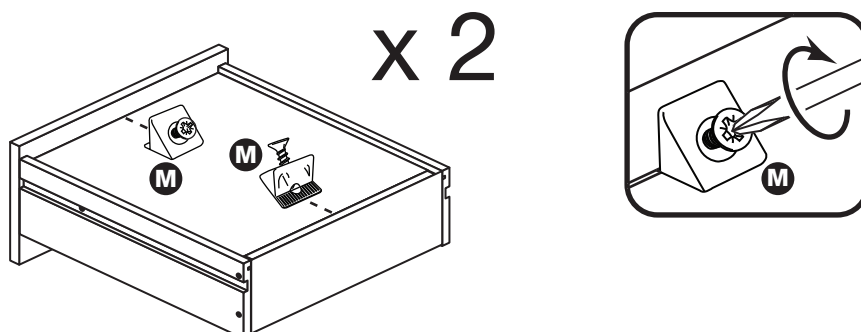
Attach a handle **1a** to each of the small drawer fronts **7** using 2 screws **1b**.



Step 7

Fit the wedgifixes

Turn the drawer assemblies over and slide 2 wedgifixes **M** into the front and back grooves, as shown, and tighten up the screws.

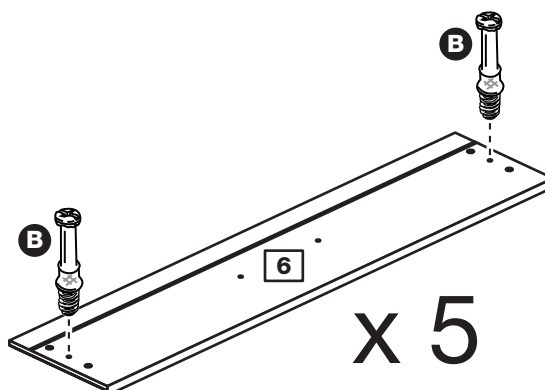


Assembly Instructions

Step 8

Prepare the 5 large drawer fronts

Screw 2 metal dowels **B** into the holes shown on the back of each large drawer front **6**.



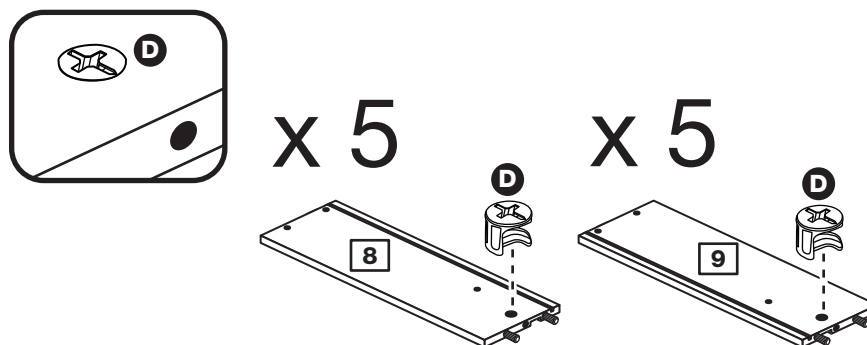
Step 9

Prepare 5 sets of drawer sides

Insert a small locking nut **D** into the hole shown on the left drawer side **8** and right drawer side **9**.

Note: The arrow on the locking nut **must** point towards the hole in the edge of the panel.

Note: Due to the manufacturing process, the holes for the locking nut can be on either surface of the drawer sides.



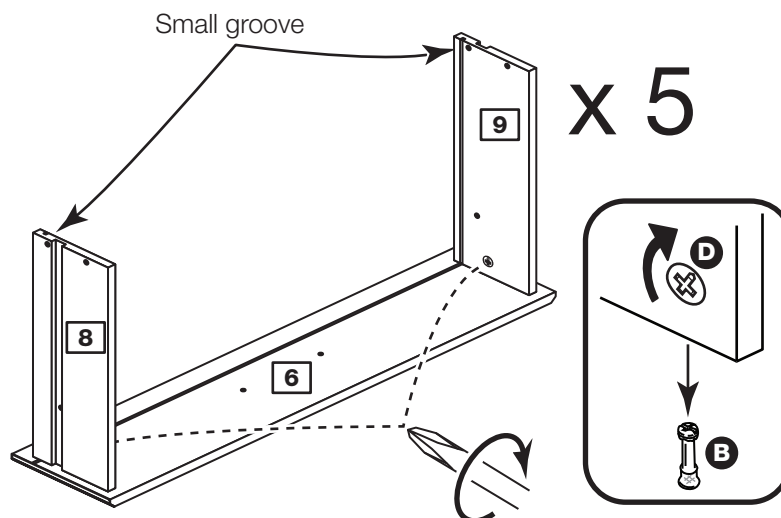
Step 10

Attach the drawer sides to the large drawer fronts

Push the left drawer side **8** and right drawer side **9** onto the back of the large drawer fronts **6**.

Turn the small locking nuts **D** on the left drawer side **8** and right drawer side **9**.

Note: Turn the locking nuts **D** clockwise to secure panels - more than 1/2 a turn.



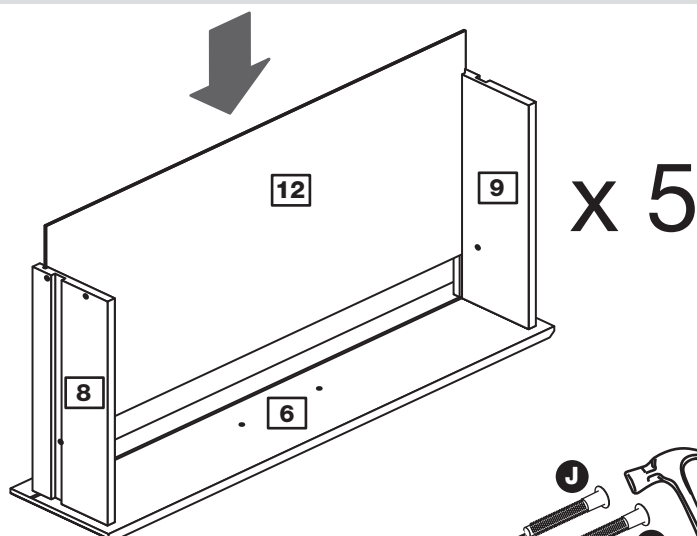
Note: The locking nuts can be on either surface of the drawer sides. Make sure that the small groove is on the inside, as shown.

Assembly Instructions

Step 11

Fit the large drawer base

Slide the large drawer base **12** down the grooves in the drawer sides **8** and **9** then down into the groove in the large drawer front **6**.



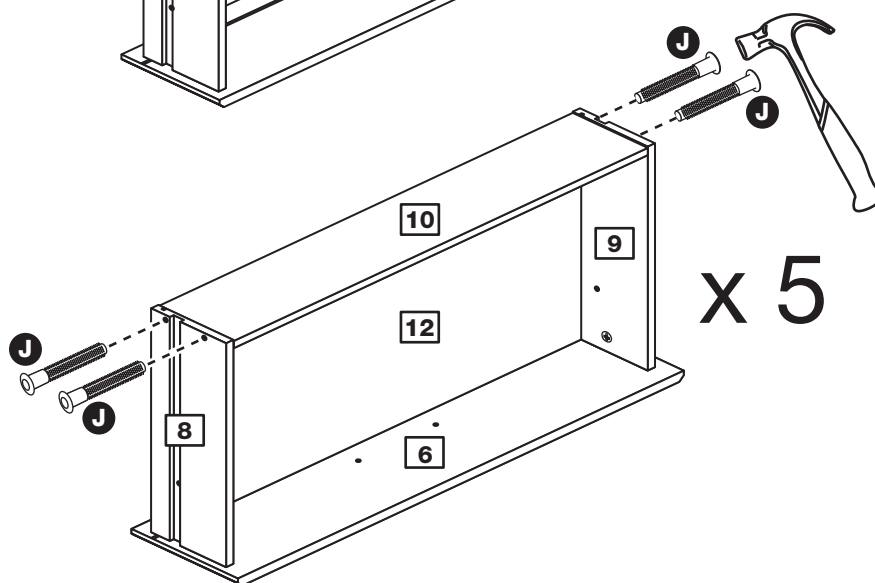
Step 12

Fit the large drawer back

Fit the large drawer back **10** between the drawer sides **8** and **9**.

Make sure that the large drawer base **12** fits into the groove in the large drawer back **10**.

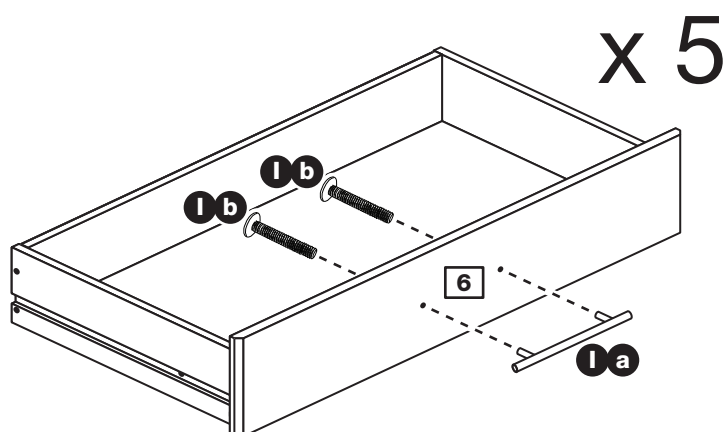
Hold the large drawer back **10** in position and tap the knock-in pegs **J** through the holes in the drawer sides **8** and **9**.



Step 13

Attach the handles

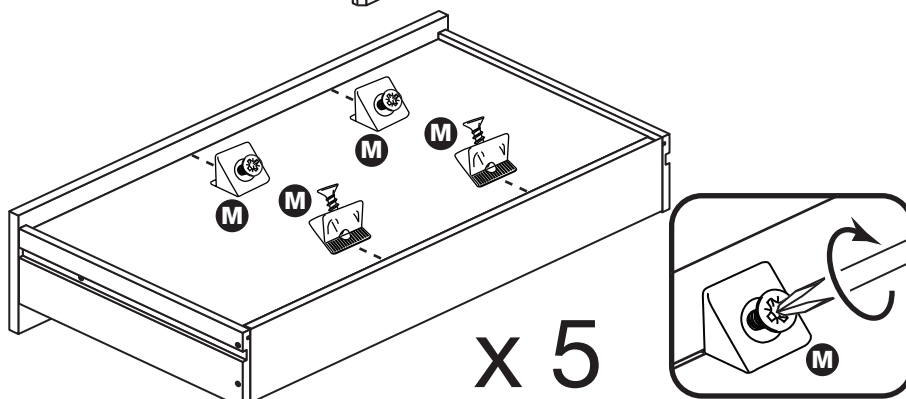
Attach a handle **1a** to each of the large drawer fronts **6** using 2 screws **1b**.



Step 14

Fit the wedgifixes

Turn the drawer assemblies over and slide 2 wedgifixes **M** into the front and back grooves, as shown, and tighten up the screws.



Assembly Instructions

Step 15

Prepare the left side

a: Place 6 runners **H** on the left side **1**. Slide back the top of runner and use the 2nd hole from the front to fit the 1st screw **F**.

b: Slide the runner **H** back the other way and fit the 2nd screw **F** into the corresponding hole in the left side **1**.

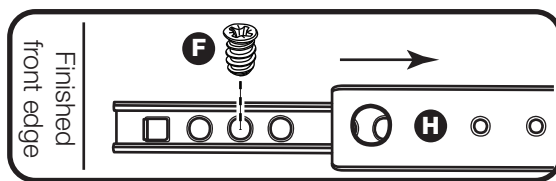
c: Tap a wooden dowel **A** into the left side **1**.

Note: Wooden dowels **must not** stick out from the edge by more than 10mm or they may damage other panels.

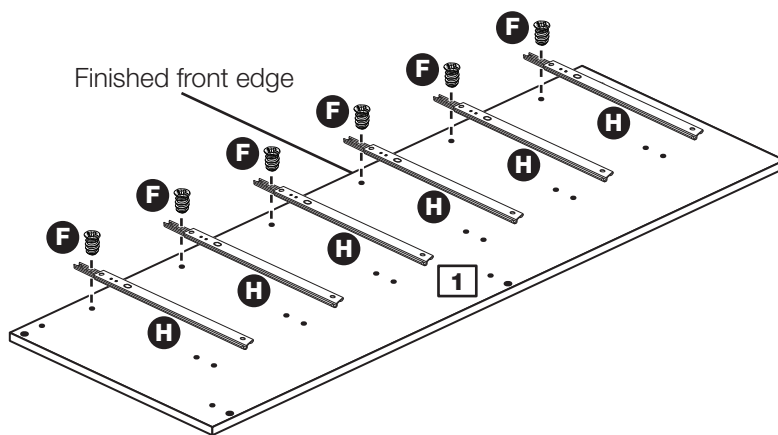
Screw 3 metal dowels **B** into the left side **1**.

Insert a large locking nut **C** into the left side **1**.

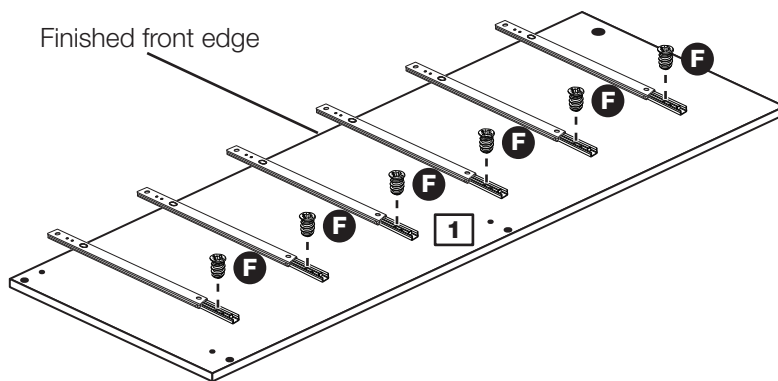
Note: The arrow on the locking nut **must** point towards the hole in the edge of the panel.



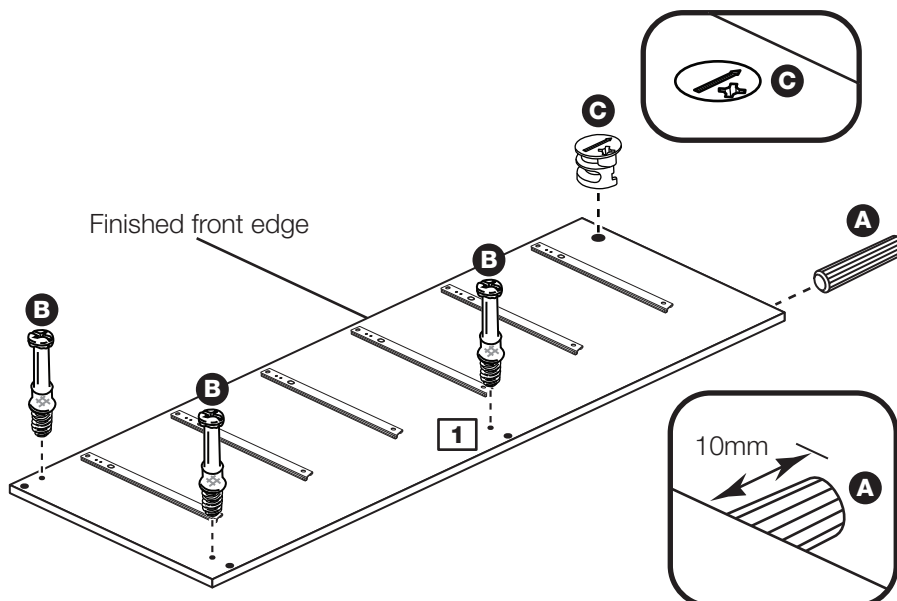
a:



b:



c:



Assembly Instructions

Step 16

Prepare the right side

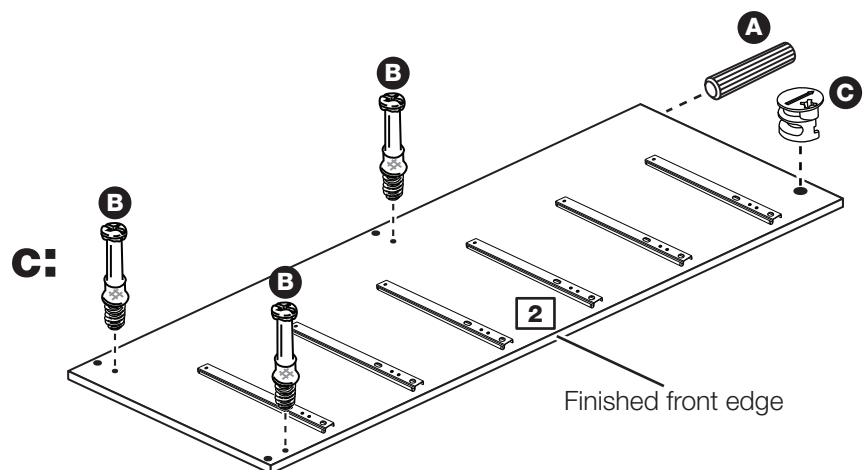
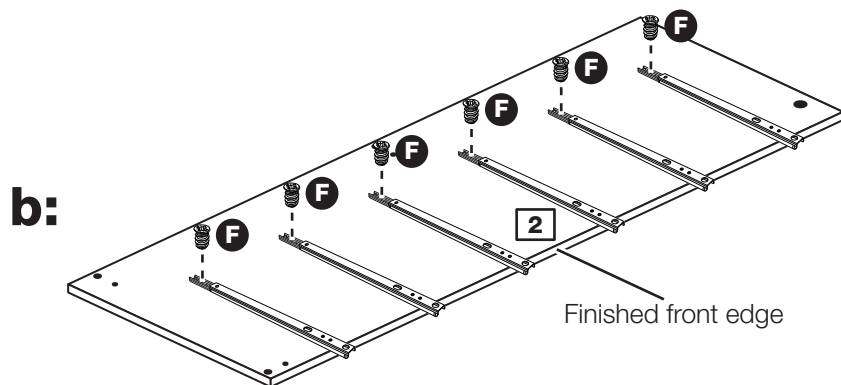
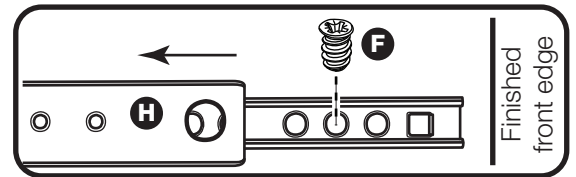
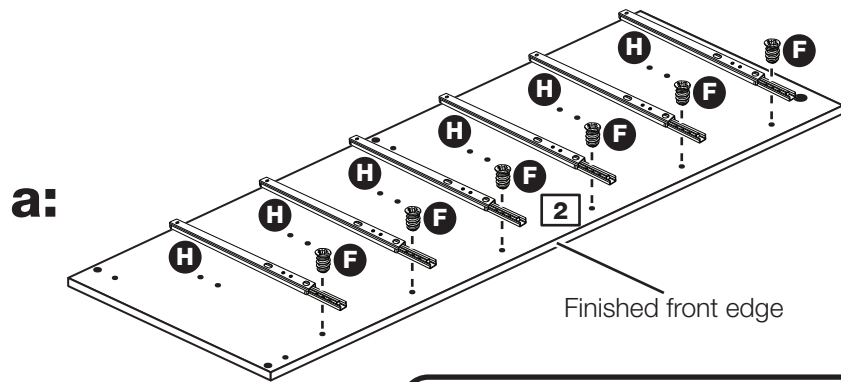
a: Place 6 runners **H** on the right side **2**. Slide back the top of runner and use the 2nd hole from the front to fit the 1st screw **F**.

b: Slide the runner **H** back the other way and fit the 2nd screw **F** into the corresponding hole in the right side **2**.

c: Tap a wooden dowel **A** into the right side **2**.

Screw 3 metal dowels **B** into the right side **2**.

Insert a large locking nut **C** into the right side **2**.



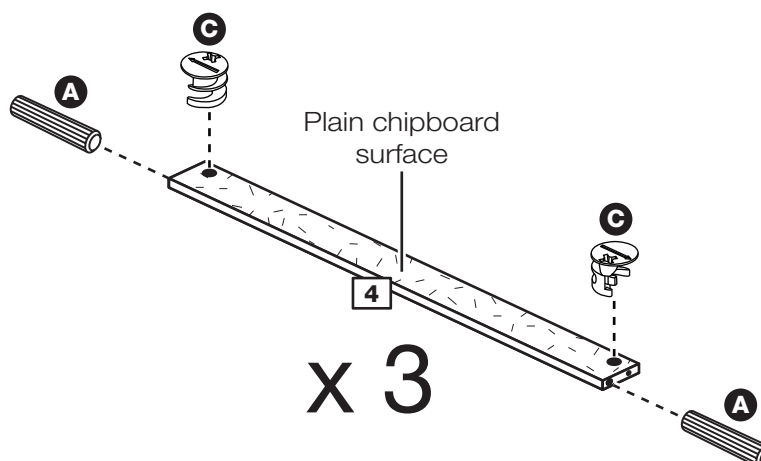
Assembly Instructions

Step 17

Prepare the 3 rails

Insert 2 large locking nuts **C** into each of the 3 rails **4**.

Tap 2 wooden dowels **A** into each of the 3 rails **4**.



Step 18

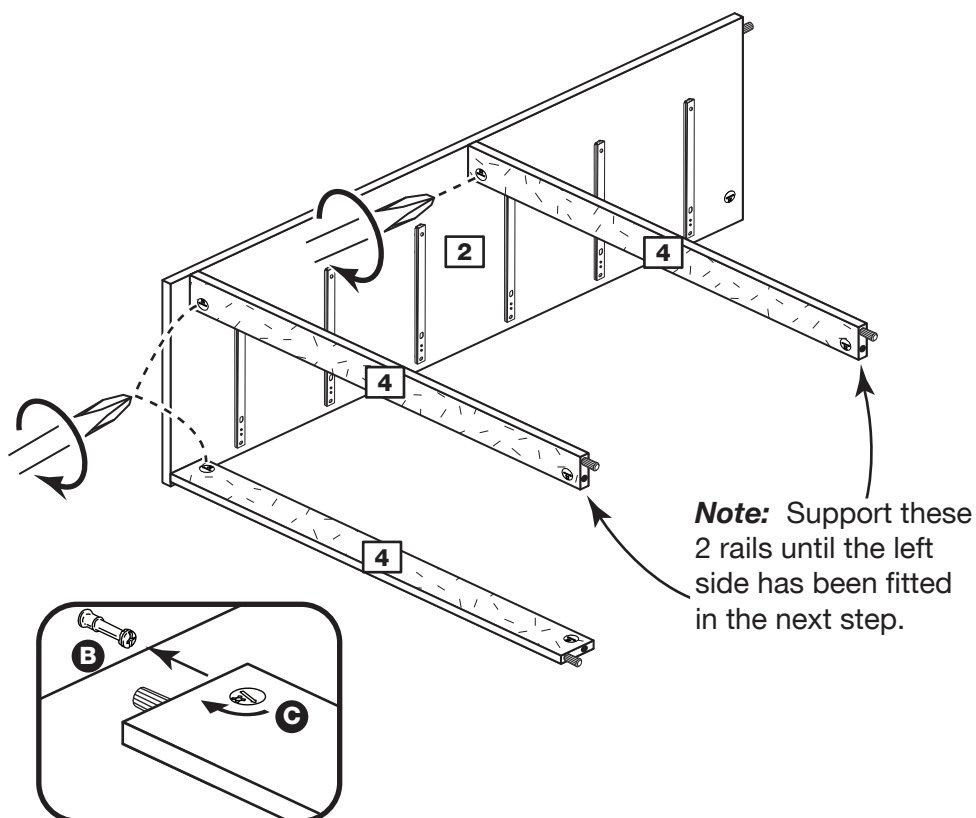
Fit the 3 rails to the right side

2 people are needed here

Push the 3 rails **4** onto the right side **2**.

Use a screwdriver to tighten the 3 large locking nuts **C** fitted to the rails **4**.

Note: Turn the large locking nuts **C** as far as they will go - more than 1/2 a turn.



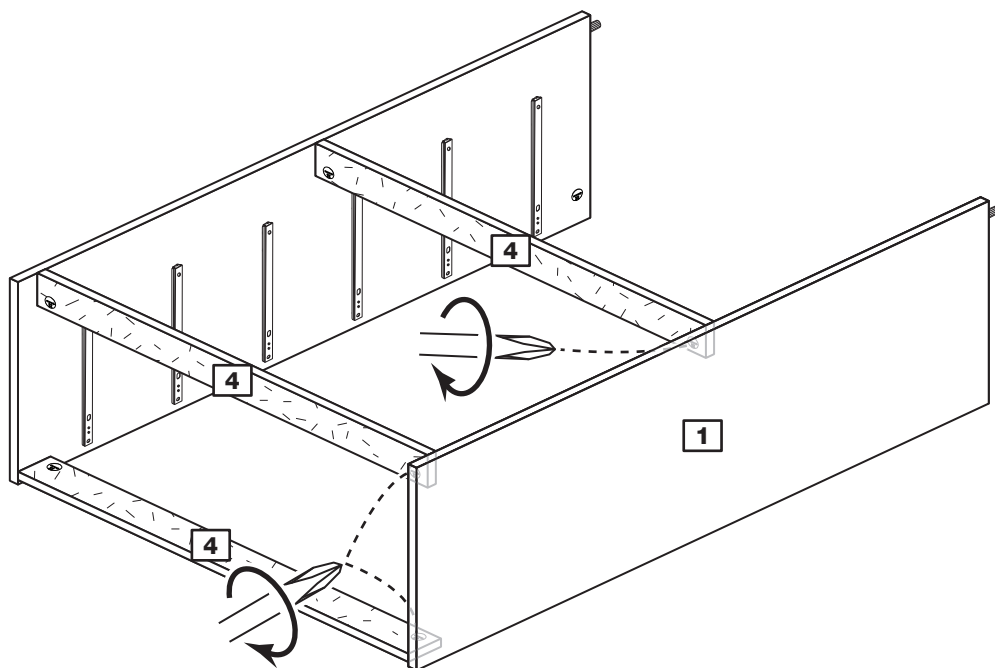
Assembly Instructions

Step 19

Fit the left side

Push the left side **1** onto the 3 rails **4**.

Use a screwdriver to tighten the 3 large locking nuts **C** fitted to the rails **4**.

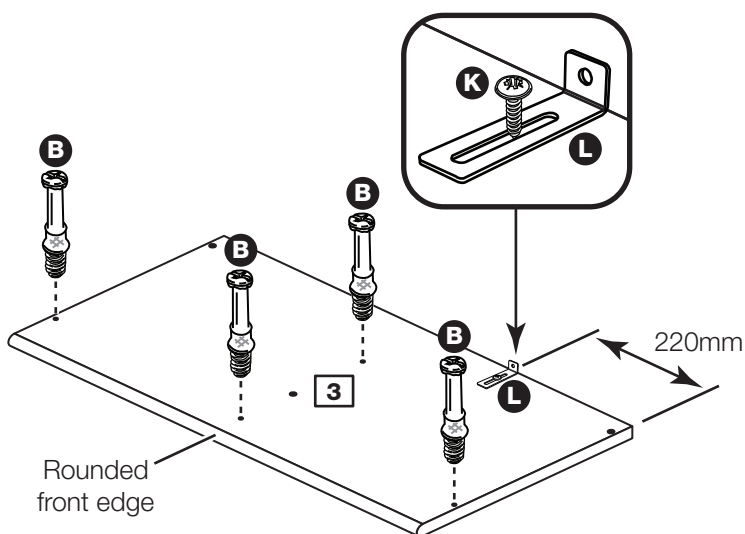


Step 20

Prepare the top

Screw 4 metal dowels **B** into the top **3**.

Fix the bracket **L**, 220mm in from the end and flush to the back edge, using screw **K**.



Assembly Instructions

Step 21

Prepare the divider

a: Tap a wooden dowel **A** into the divider **5**.

Insert 2 large locking nuts **C** into the divider **5**.

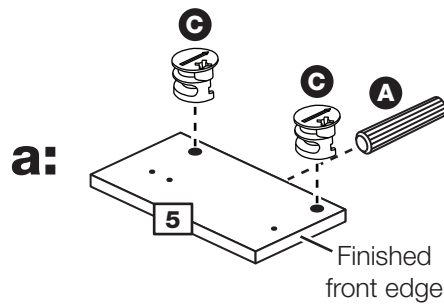
b: Place a runner **H** on the divider **5**. Slide back the top of runner and use the 1st hole from the front to fit the 1st screw **F**.

c: Slide the runner **H** back the other way and fit the 2nd screw **F** into the corresponding hole in the divider **5**.

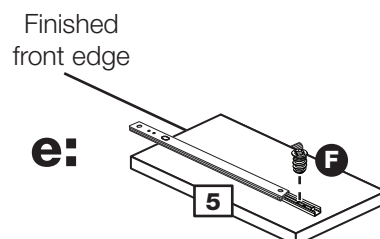
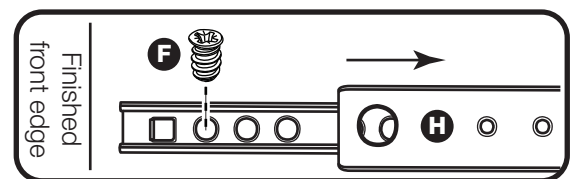
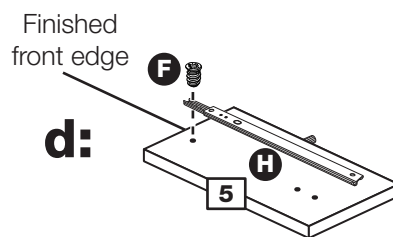
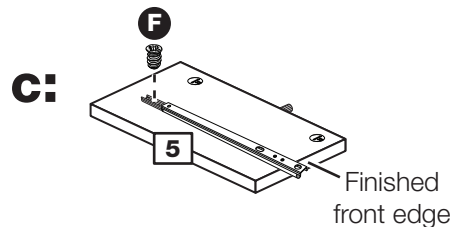
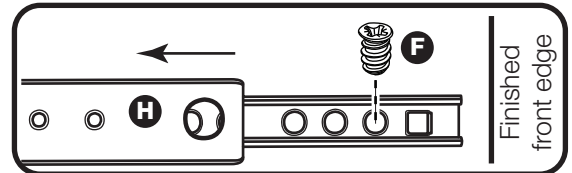
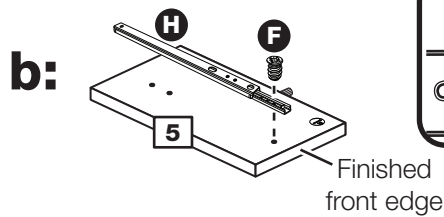
Turn the divider over

d: Place a runner **H** on the divider **5**. Slide back the top of runner and use the 1st hole from the front to fit the 1st screw **F**.

e: Slide the runner **H** back the other way and fit the 2nd screw **F** into the corresponding hole in the divider **5**.



Note: Due to the manufacturing process, the 2 holes for the large locking nut can be on either surface of the divider.



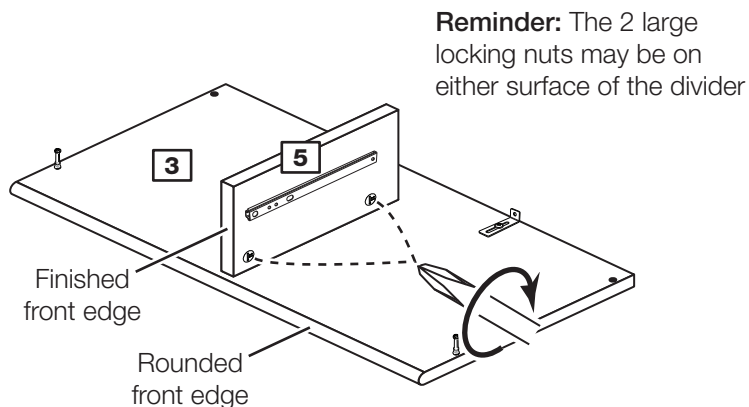
Assembly Instructions

Step 22

Fit the divider to the top

Push the divider **5** onto the top **3**.

Use a screwdriver to tighten the 2 large locking nuts **C** fitted to the divider **5**.



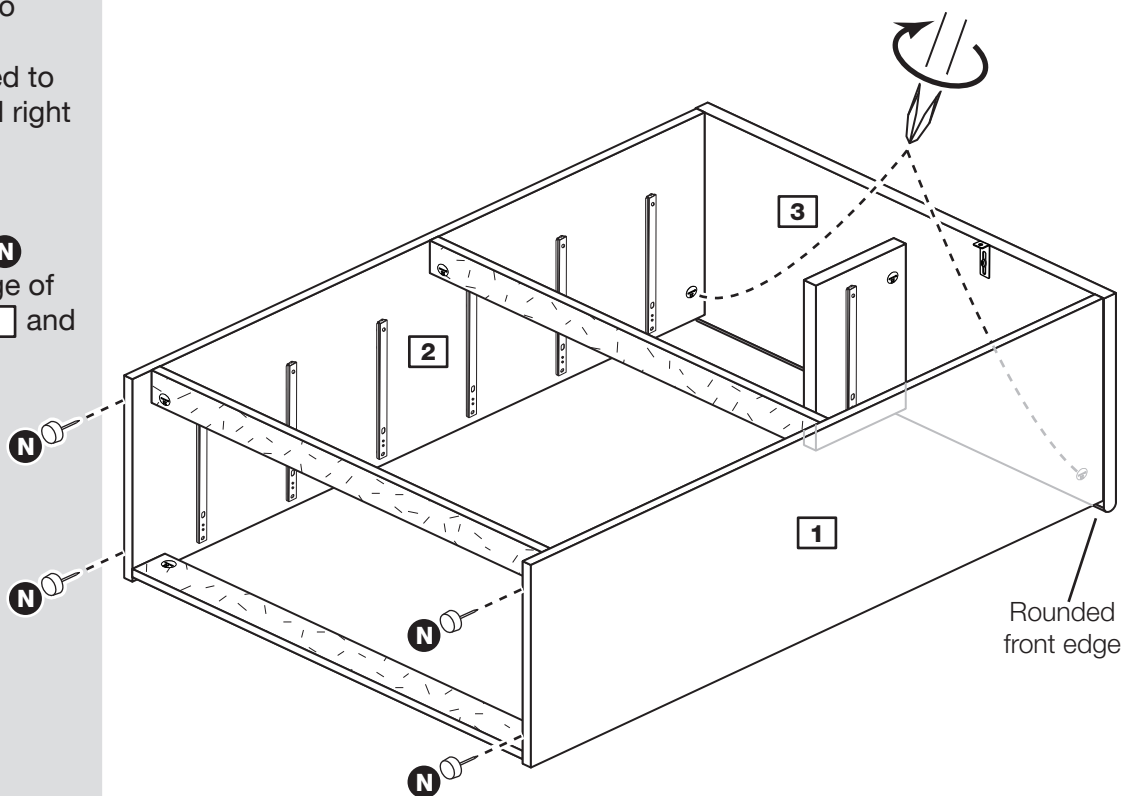
Step 23

Fit the top and the plastic nails

Push the top **3** onto the left side **1** and right side **2**.

Use a screwdriver to tighten the 2 large locking nuts **C** fitted to the left side **1** and right side **2**.

Tap 2 plastic nails **N** into the bottom edge of each of the sides **1** and **2**.



Assembly Instructions

Step 24

Fit the back

a: Square up the unit by making sure that measurement **x** to **x** equals **y** to **y**.

b: Place the back **14** onto the unit.

Nail **E** around the outside edges of the back **14**.

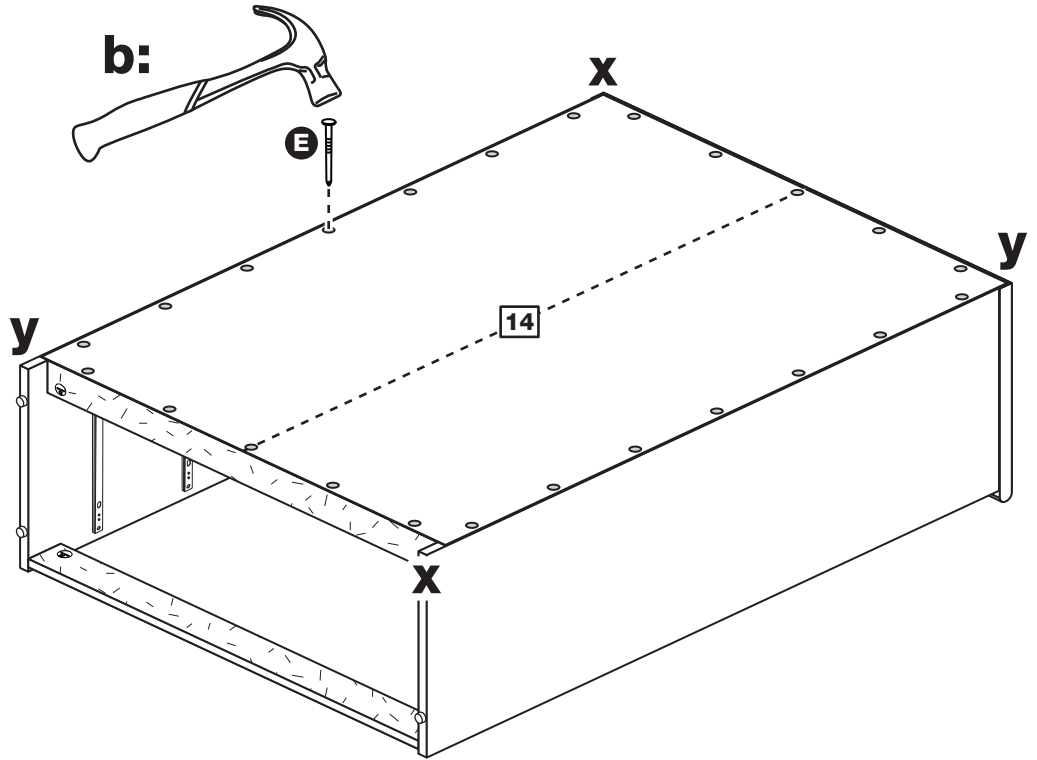
Note: Nails should be spaced about 150mm apart.

Stand the unit up for the next step.



Warning: The unit is heavy. Lift with care.

a: The measurement from top corner X to bottom corner X must be equal to the measurement from top corner Y to bottom corner Y



Step 25

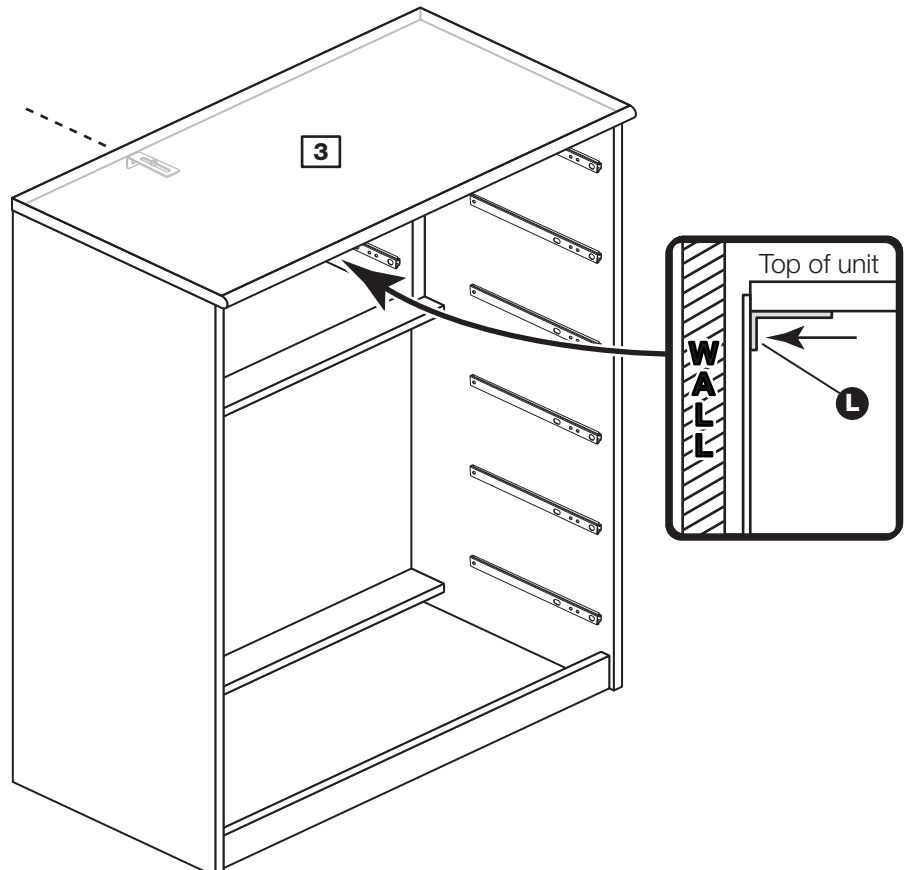
Secure unit to a wall

To prevent possible overbalancing we recommend that this unit is secured to a suitable wall by use of the metal bracket **L** fitted under the top **3**.

Fixings are not supplied as they will need to suit the wall type, and the length of screw will depend on the distance of the back of the unit to the wall.



Warning: Take care when drilling the wall that you do not drill into any pipes, wires etc. If in doubt, consult an expert.



Assembly Instructions

Step 26

Fit the drawers

Starting with the bottom drawer, slide both the runners **H** forward and locate the drawer sides **8** and **9** between them, lining up the holes in the drawer wrap with the 2nd 'threaded' holes in the runners **H**.

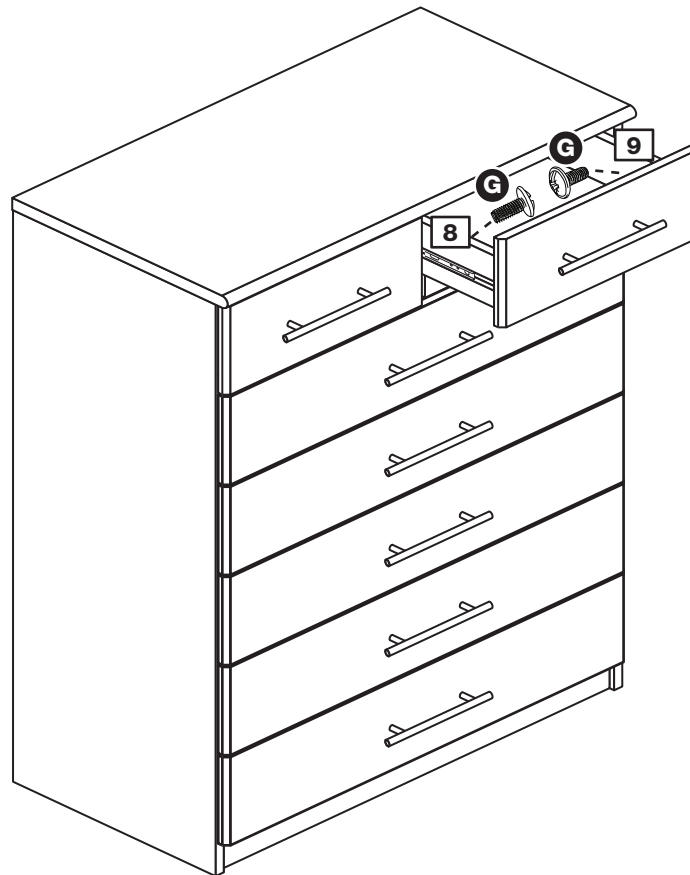
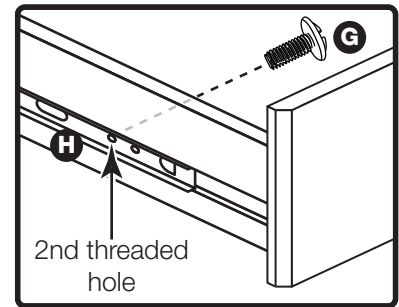
Working from the inside of the drawer, insert 2 screws **G** through the drawer sides and out into the 2nd threaded hole in the runner.

Note: Do not overtighten the screws **G**. If they catch on the runner you may need to loosen them slightly.

Assembly is complete



Warning: The unit is heavy. Lift with care.



If you need help or have damaged or missing parts, call the Customer Helpline: 08456 400800 and quote the reference numbers on the component pages.

Argos Ltd, 489-499 Avebury Boulevard, Central Milton Keynes, MK9 2NW