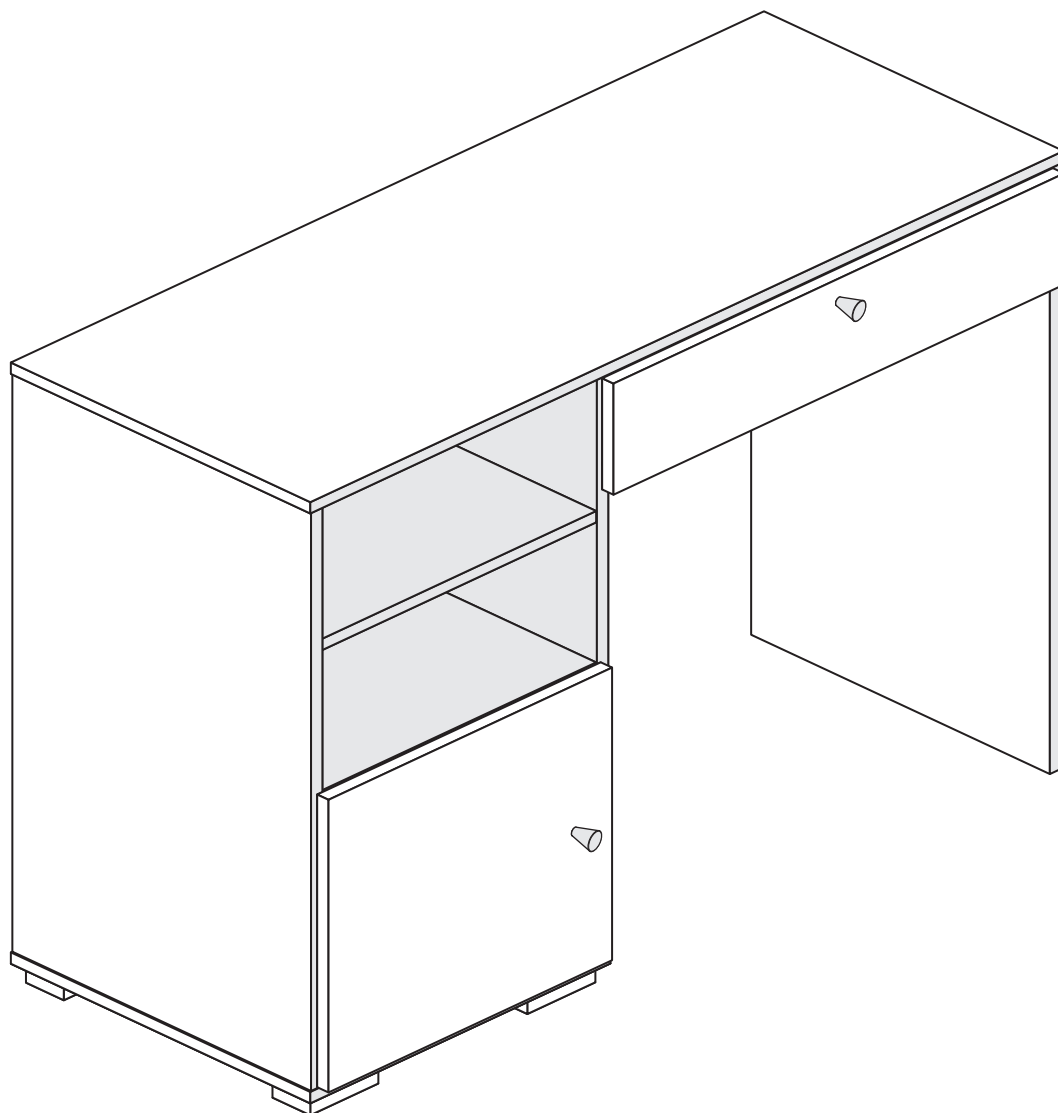


Zest - Desk

Assembly Instructions - Please keep for future reference

245/7558

346/7853



Dimensions

Width - 100cm

Depth - 40cm

Height - 82cm



**MADE IN
BRITAIN**

Important - Please read these instructions fully before starting assembly

If you need help or have damaged or missing parts, call the **Customer Helpline: 08456 400800**



Safety and Care Advice

Important - Please read these instructions fully before starting assembly

- **Warning:** This unit weighs approximately 25kgs. Please lift with care.
- Check you have all the components and tools listed on pages 1, 2 and 3.
- Remove all fittings from the plastic bags and separate them into their groups.
- Keep children and animals away from the work area, small parts could choke if swallowed.
- Parts of the assembly will be easier with 2 people.

- Make sure you have enough space to layout the parts before starting.
- Do not stand or put weight on the product, this could cause damage.
- Assemble the item as close to its final position (in the same room) as possible.
- Assemble on a soft level surface to avoid damaging the unit or your floor (use opened out unit carton).



• We do not recommend the use of power drill/drivers **for inserting screws**, as this could damage the unit. Only use hand screwdrivers.

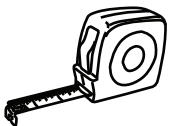
• **Safety note:** It is recommended that this unit is secured to a wall using the bracket supplied.

• Dispose of all packaging carefully and responsibly.

Care and maintenance

- Only clean using a damp cloth and mild detergent, do not use bleach or abrasive cleaners.
- From time to time check that there are no loose screws on this unit.
- This product should not be discarded with household waste. Take to your local authority waste disposal centre.

Tools required



Rule



Cross-head screwdriver



Scissors



Hammer



Eye protection (when using a hammer or drill)



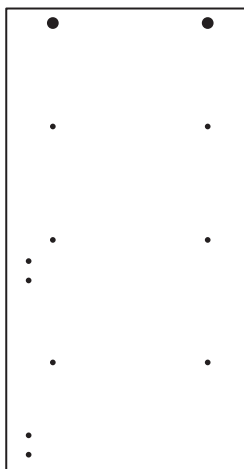
Electric drill (do not use for fitting screws)

Note: If required the next page can be cut out and used as reference throughout the assembly. Keep this page with these instructions for future reference.

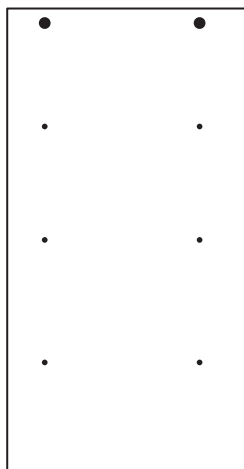
Components - Panels

If you have damaged or missing components, call the **Customer Helpline: 08456 400800** quoting the reference numbers below

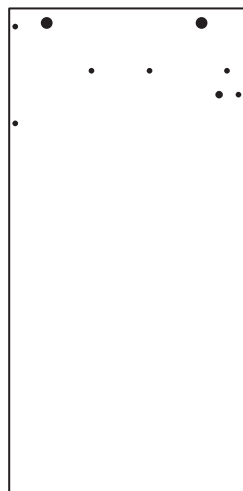
Please check you have all the panels listed below



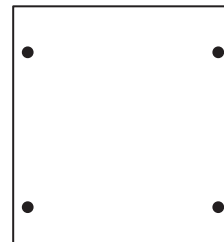
1 Left Side (DF755)
(765 x 395mm)



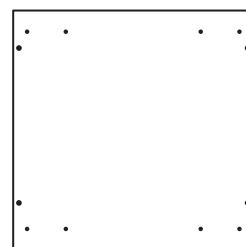
2 Upright (DF756)
(765 x 395mm)



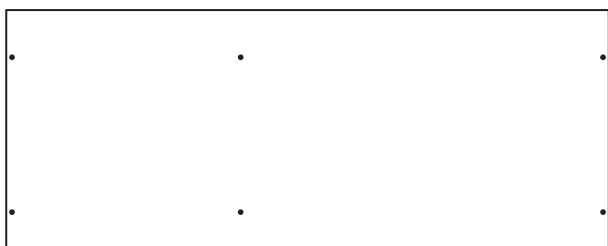
3 Right Side (DF762)
(801.5 x 395mm)



4 Fixed Shelf (DF758)
(363 x 394mm)



5 Base (DF757)
(397 x 396mm)



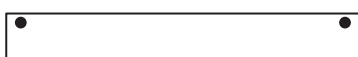
6 Top (DF754)
(996 x 396mm)



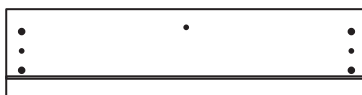
7 Loose Shelf (DF759)
(363 x 394mm) x 2



8 Modesty (DF763)
(584 x 243mm)



9 Front Rail (DF765)
(584 x 77mm)



10 Drawer Front (DF761)
(596 x 147mm)



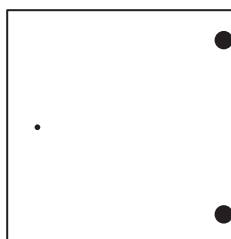
11 Left Drawer Side (W370-95LH)
(370 x 95mm)



12 Right Drawer Side (W370-95RH)
(370 x 95mm)



13 Drawer Back (W531-95)
(531 x 95mm)



15 Door (DF760)
(387 x 375mm)



16 Back (X791-390)
(791 x 390mm)



14 Drawer Base (T542-367)
(542 x 367mm)

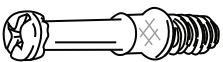










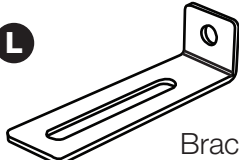
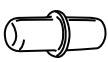
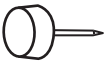
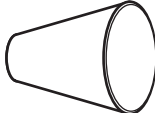

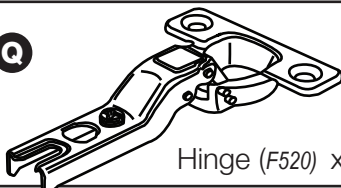

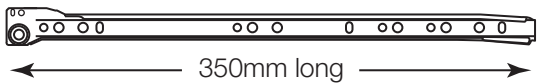
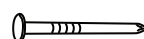

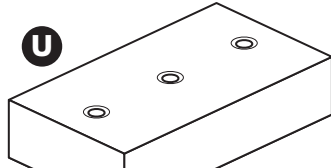
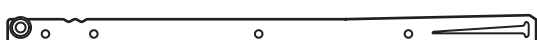



Components - Fittings

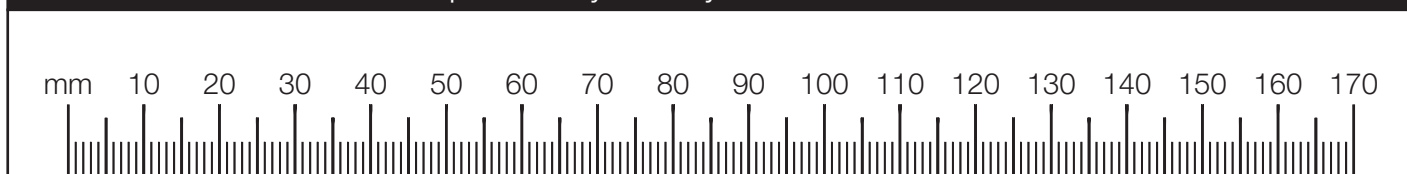
If you have damaged or missing components, call the **Customer Helpline: 08456 400800** quoting the reference numbers below

Please check you have all the fittings listed below

Note: The quantities below are the correct amount to complete the assembly. In some cases more fittings may be supplied than are required.

<p>A  Metal dowel (F901) x 18</p>	<p>B  Large locking nut (F900) x 16</p>	<p>C  Small locking nut (F3) x 2</p>
<p>D  40mm Screw (F910) x 4</p>	<p>E  38mm Screw (F81) x 8</p>	<p>F  32mm Screw (F72) x 2</p>
<p>G  13mm Screw (F52) x 6</p>	<p>H  13mm Screw (F63) x 10</p>	<p>I  13mm Screw (F79) x 1</p>
<p>J  Wedgefix (F639) x 4</p>	<p>K  Knock-in Peg (F171GY) x 4</p>	<p>L  Bracket (F327) x 1</p>
<p>M  Shelf stud (F110) x 8</p>	<p>N  Plastic Nail (F91) x 2</p>	<p>O  Handle (Green - F894GRN or Purple - F894PUR) x 2</p>
<p>P  Hinge Plate (F521) x 2</p>	<p>Q  Hinge (F520) x 2</p>	<p>R  Wooden dowel (F22) x 2</p>
<p>S a  L Runner (F159) x 1 ← 350mm long →</p>	<p>T  Nail (F51) x 17</p>	
<p>S b  R Runner (F160) x 1</p>	<p>U  Foot (F233) x 4</p>	
<p>S c  L Runner (F161) x 1</p>		
<p>S d  R Runner (F162) x 1</p>		

Ruler - Use this ruler to help correctly identify the screws



Assembly Instructions

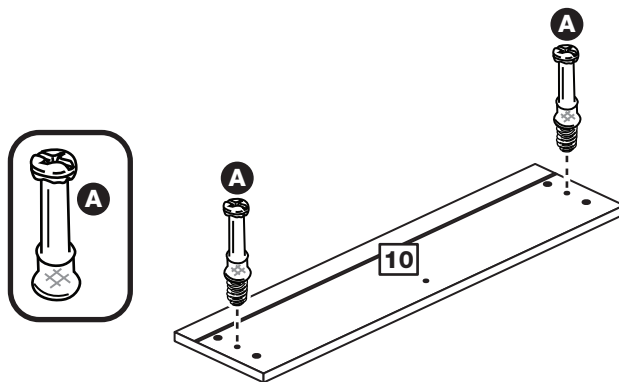
If you have damaged or missing components, call the
Customer Helpline: 08456 400800 quoting the reference
numbers below

Step 1

Prepare the drawer front

Screw 2 metal dowels **A** into the drawer front **10**.

Note: Tighten the metal dowels up fully against the panels.

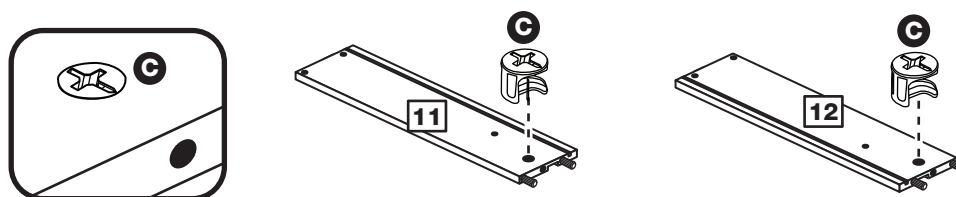


Step 2

Prepare the drawer sides

Insert a small locking nut **C** into the hole shown on the left drawer side **11** and the right drawer side **12**.

Note: The arrow on the locking nut **must** point towards the hole in the edge of the panel.



Step 3

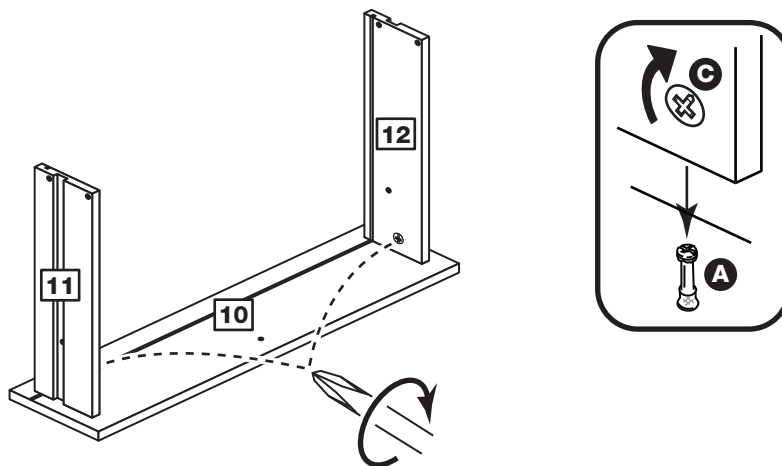
Attach the drawer sides to the drawer fronts

Push the left drawer sides **11** and right drawer sides **12** onto the back of the drawer fronts **10**.

Turn the small locking nuts **C** on the left drawer side **11** and right drawer side **12**.

Note: Turn the locking nuts **C** clockwise to secure panels - more than 1/2 a turn.

Note: The locking nuts can be on either surface of the drawer sides. Make sure that the small groove is on the inside, as shown.

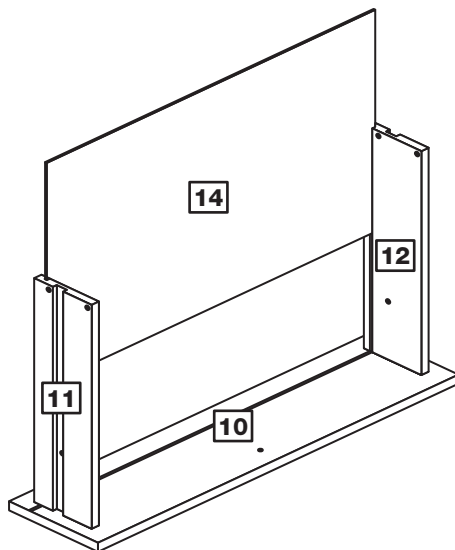


Assembly Instructions

Step 4

Fit the drawer base

Slide the drawer base **14** down the grooves in the drawer sides **11** and **12** and down into the groove in the drawer front **10**.

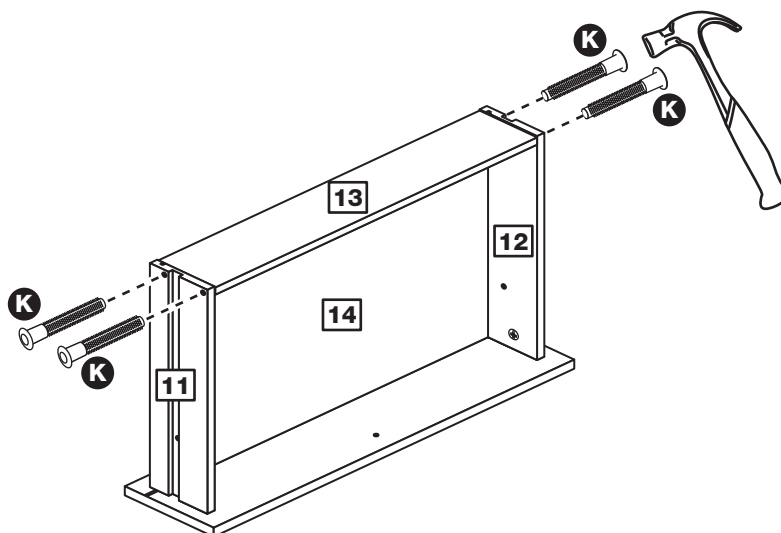


Step 5

Fit the drawer back

Fit the drawer back **13** between the drawer sides **11** and **12**. Make sure that the drawer base **14** fits into the groove in the drawer back **13**.

Hold the drawer back **13** in position and tap the knock-in pegs **K** through the holes in the drawer sides **11** and **12**.

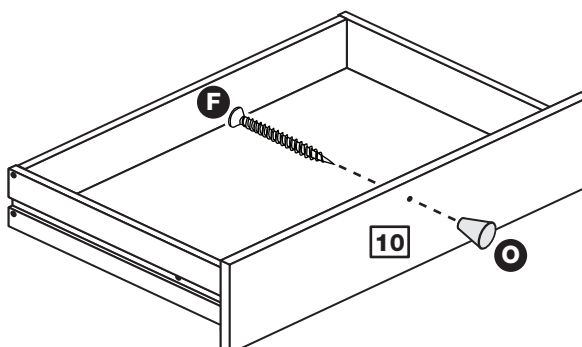


Step 6

Attach the handle

Attach a handle **O** to the drawer front **10** using screw **F**.

Note: Do not overtighten the screw.

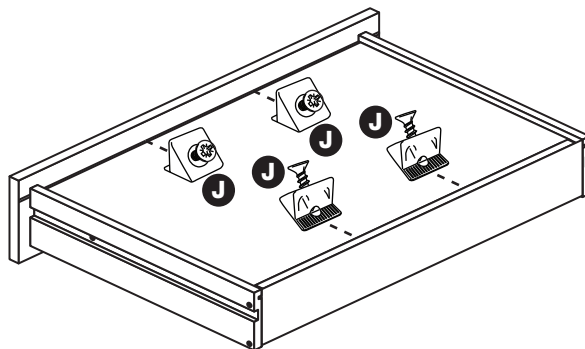


Assembly Instructions

Step 7

Fit the wedgexes

Turn the drawer assembly over and slide 4 wedgexes **J** into the front and back grooves, as shown, and tighten up the screws.

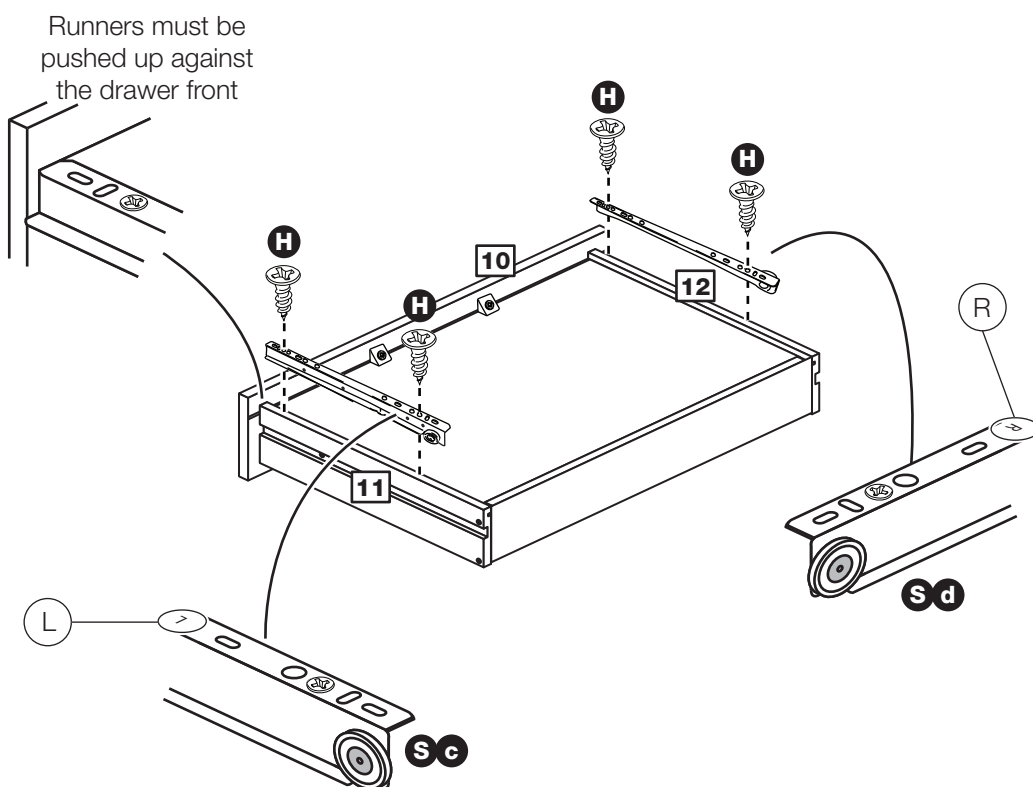


Step 8

Fit the runners to the drawer

Fit runner **Sd**, marked with 'R', to the bottom edge of the right drawer side **12**, as shown, making sure that it is pushed up against the back of the drawer front **10**. Use a bradawl to mark the fixing positions, then secure with 2 screws **H**.

Fit runner **Sc**, marked 'L', to the bottom edge of the left drawer side **11** using the same method.



Assembly Instructions

Step 9

Prepare the upright

a: Screw 3 metal dowels **A** into the upright **2**.

Fit the runner **Sa** to the upright **2**.

The 1st screw **G** uses the 2nd hole in from the front of the runner.

The 2nd and 3rd screws **G** use the holes that line up with the other panel holes.

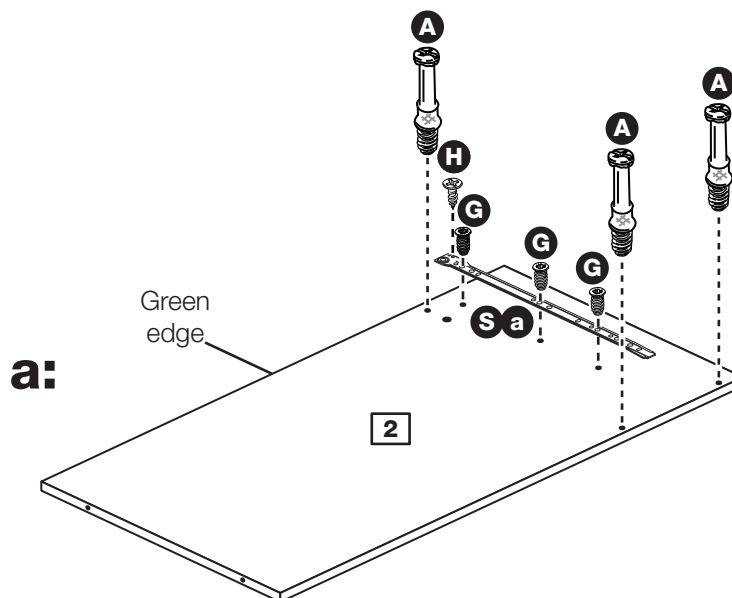
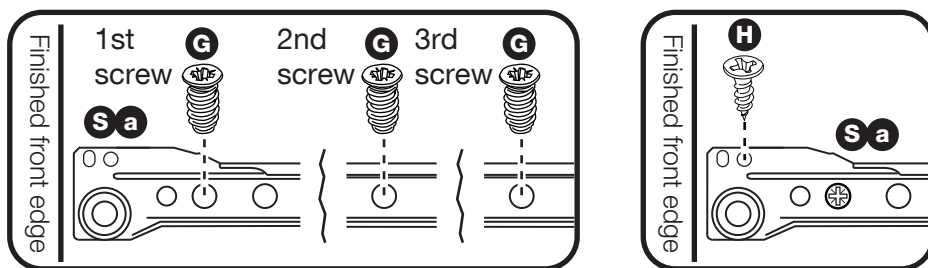
Fit a screw **H** into the 2nd hole in at the top of the runner **Sa**.

Turn the upright over

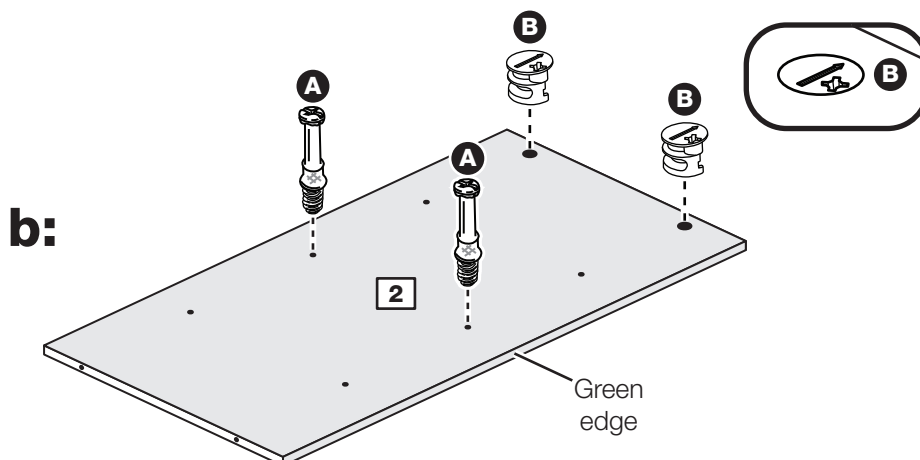
b: Insert 2 large locking nuts **B** into the upright **2**.

Note: The arrow on the locking nut **must** point towards the hole in the edge of the panel.

Screw 2 metal dowels **A** into the upright **2**.



Turn the upright over



Assembly Instructions

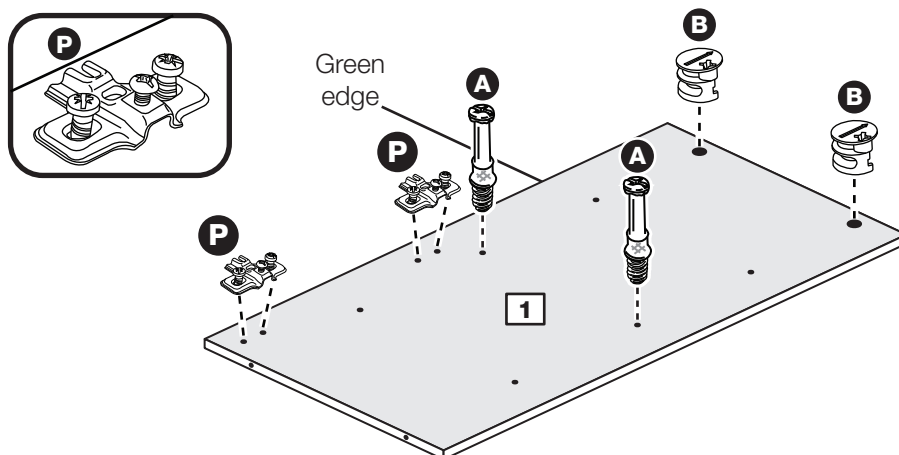
Step 10

Prepare the left side

Screw 2 metal dowels **A** into the left side **1**.

Insert 2 large locking nuts **B** into the left side **1**.

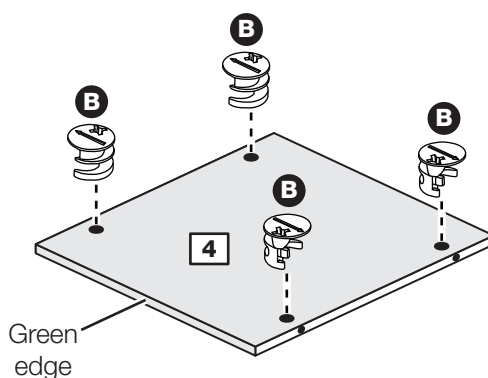
Fit 2 hinge plates **P** to the left side **1** making sure that the slot is



Step 11

Prepare the fixed shelf

Insert 4 large locking nuts **B** into the fixed shelf **4**.



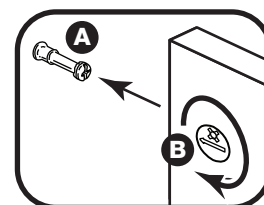
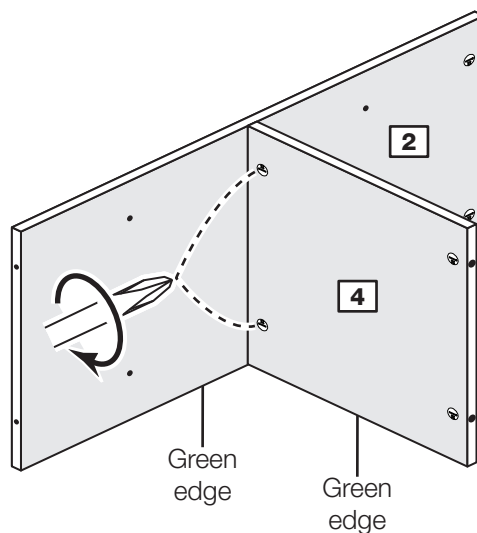
Step 12

Fit the fixed shelf to the upright

Push the fixed shelf **4** onto the upright **2**.

Use a screwdriver to tighten the 2 large locking nuts **B** fitted to the fixed shelf **4**.

Note: Turn the large locking nuts **B** as far as they will go - more than 1/2 a turn.



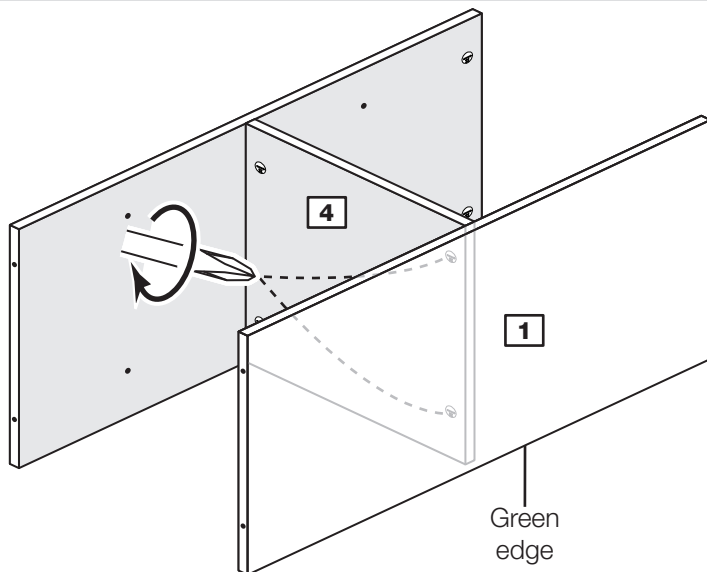
Assembly Instructions

Step 13

Fit the left side to the fixed shelf

Push the left side **1** onto the fixed shelf **4**.

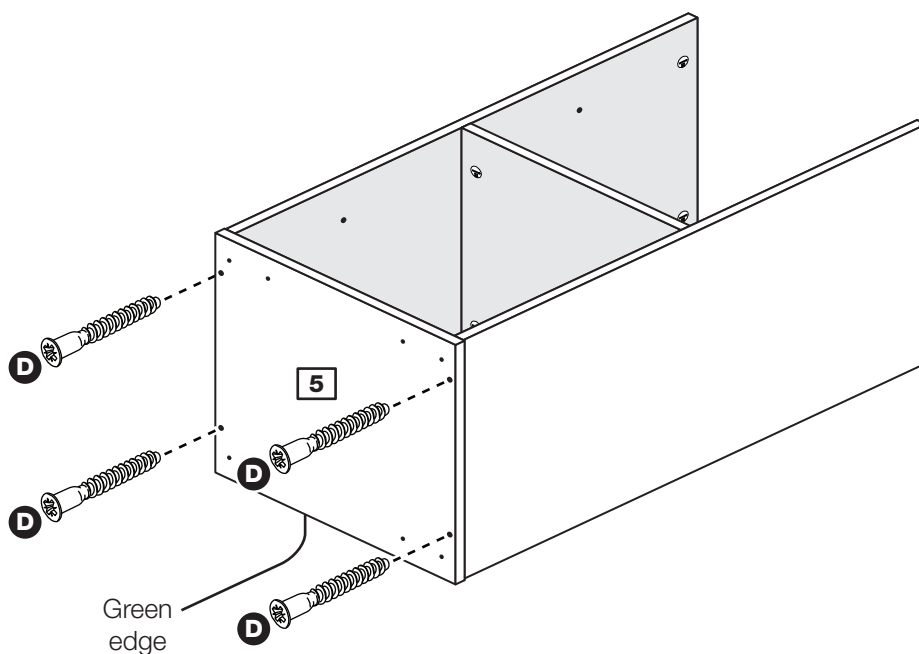
Use a screwdriver to tighten the 2 large locking nuts **B** fitted to the fixed shelf **4**.



Step 14

Fit the base

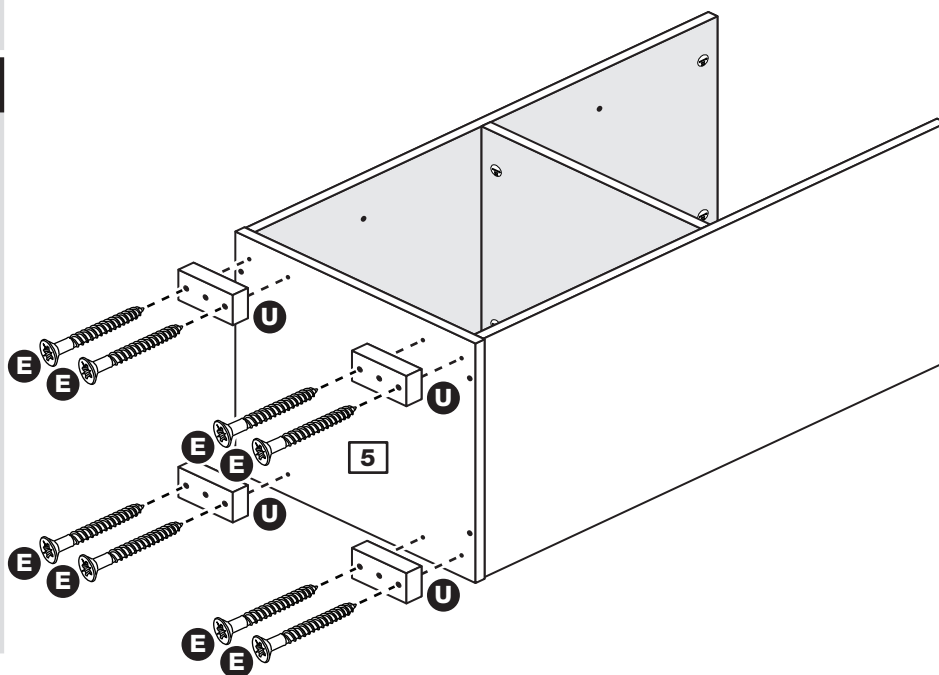
Fit the base **5** onto the assembly using 4 screws **D**.



Step 15

Fit the feet

Fit the feet **U** to the base **5** using screws **E**.



Assembly Instructions

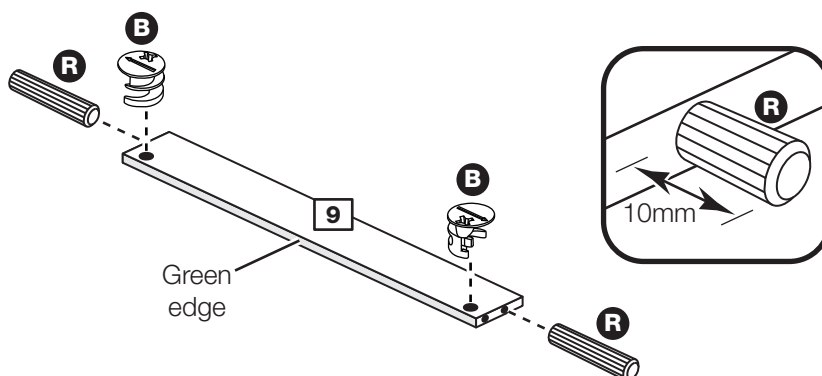
Step 16

Prepare the front rail

Insert 2 large locking nuts **B** into the front rail **9**.

Tap 2 wooden dowels **R** into the front rail **9**.

Note: Wooden dowels **must not** stick out from the edge by more than 10mm or they may damage other panels.

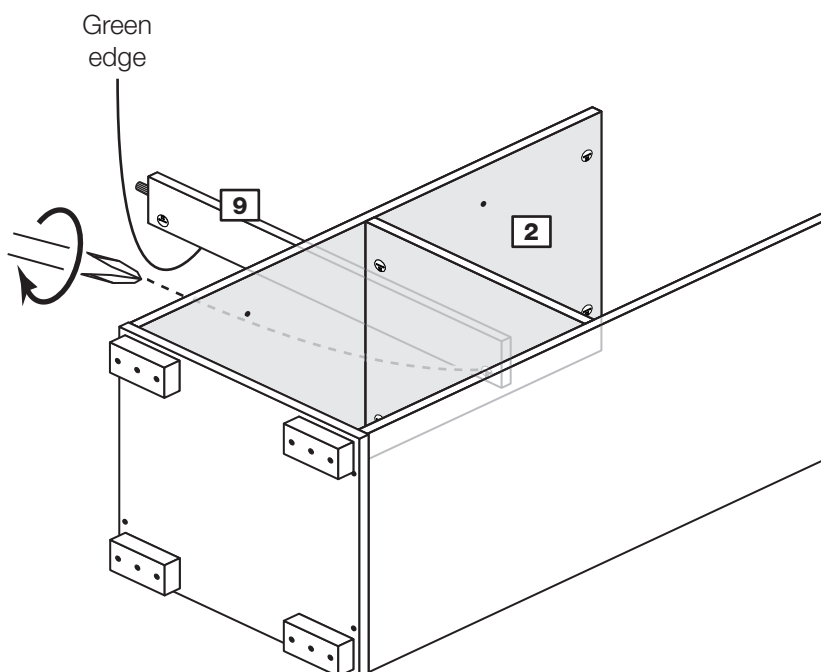


Step 17

Fit the front rail to the upright

Push the front rail **9** onto the upright **2**.

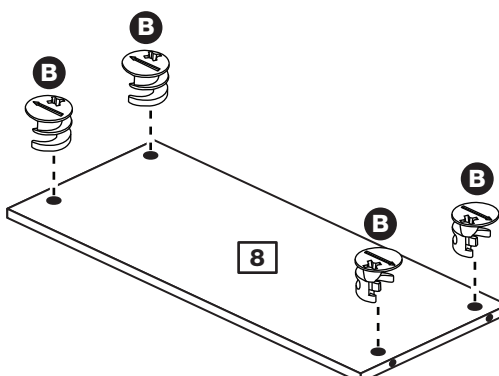
Use a screwdriver to tighten the large locking nut **B** fitted to the front rail **9**.



Step 18

Prepare the modesty

Insert 4 large locking nuts **B** into the modesty **8**.



Assembly Instructions

Step 19

Prepare the right side

a: Fit the runner **Sb** to the right side **3**.

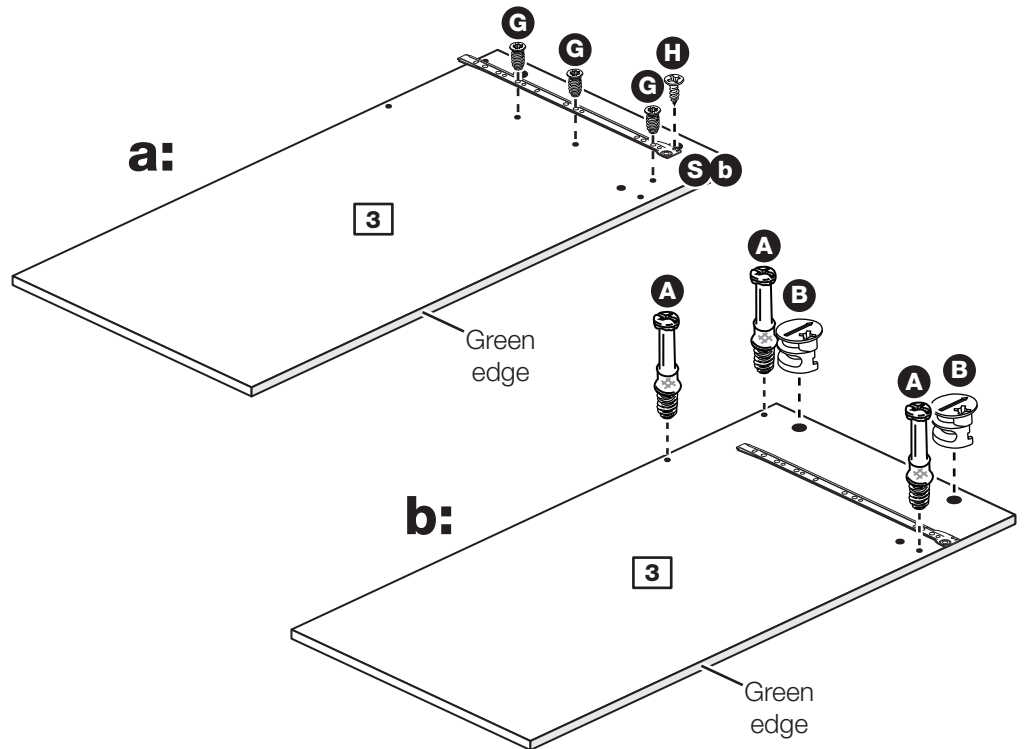
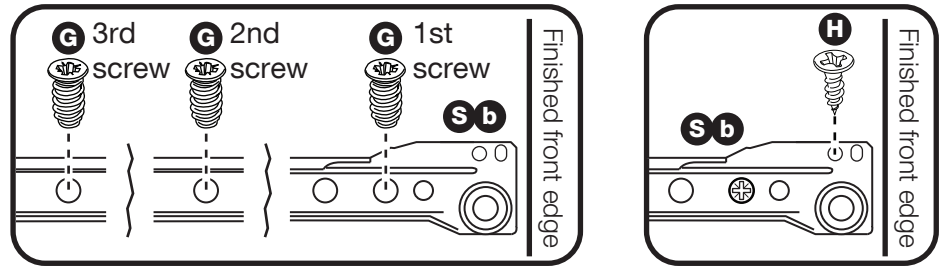
The 1st screw **G** uses the 2nd hole in from the front of the runner.

The 2nd and 3rd screws **G** use the holes that line up with the other panel holes.

Fit a screw **H** into the 2nd hole in at the top of the runner **Sb**.

b: Insert 2 large locking nuts **B** into the right side **3**.

Screw 3 metal dowels **A** into the right side **3**.

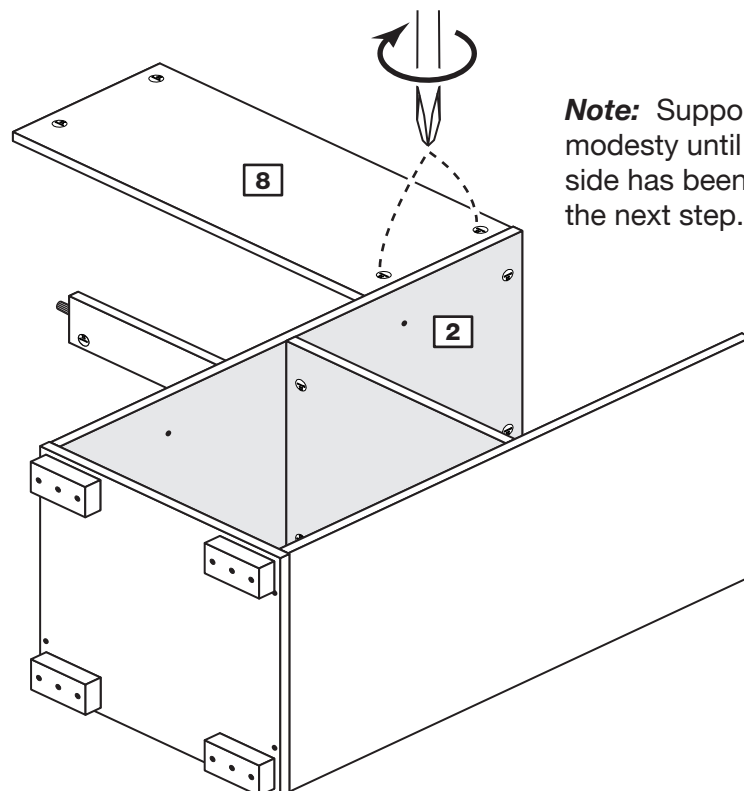


Step 20

Fit the modesty to the upright

Push the modesty **8** onto the upright **2**.

Use a screwdriver to tighten the 2 large locking nuts **B** fitted to the modesty **8**.



Note: Support the modesty until the right side has been fitted in the next step.

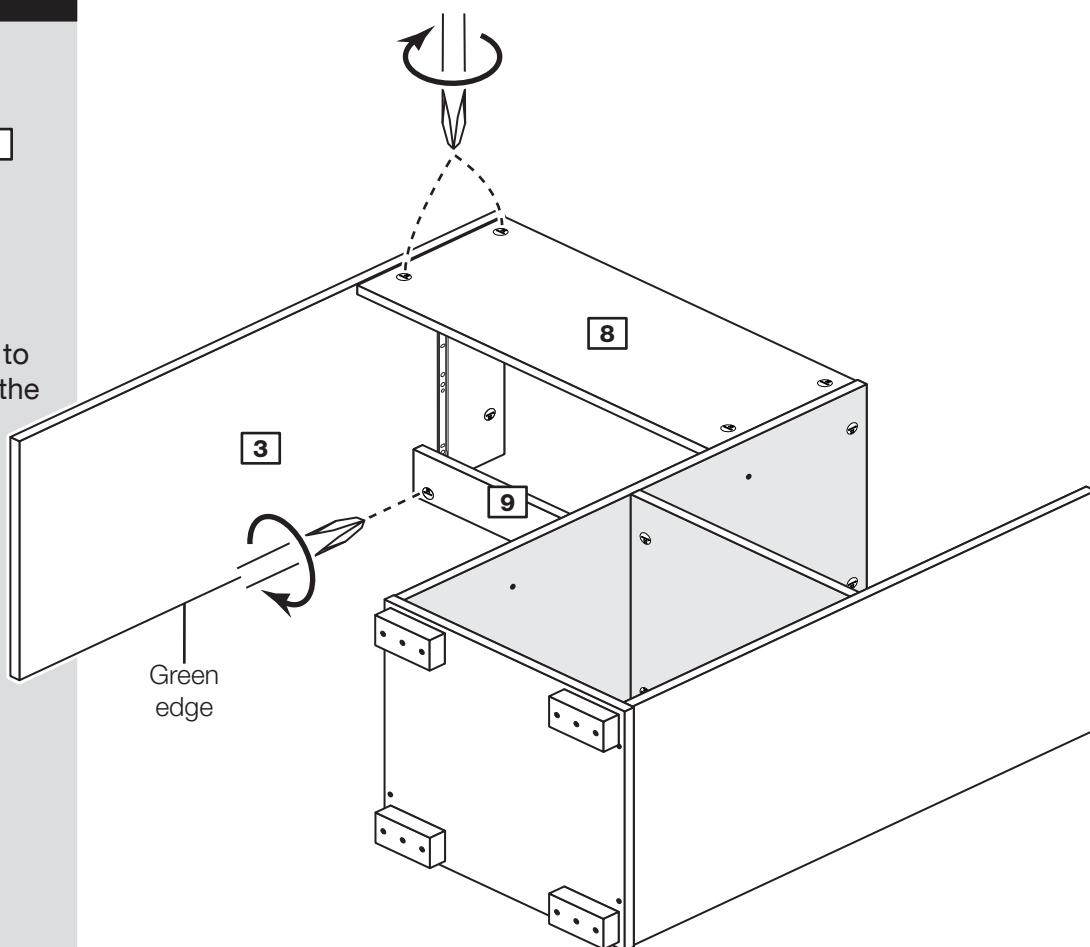
Assembly Instructions

Step 21

Fit the right side

Push the right side **3** onto the modesty **8** and front rail **9**.

Use a screwdriver to tighten the 3 large locking nuts **B** fitted to the modesty **8** and the front rail **9**.

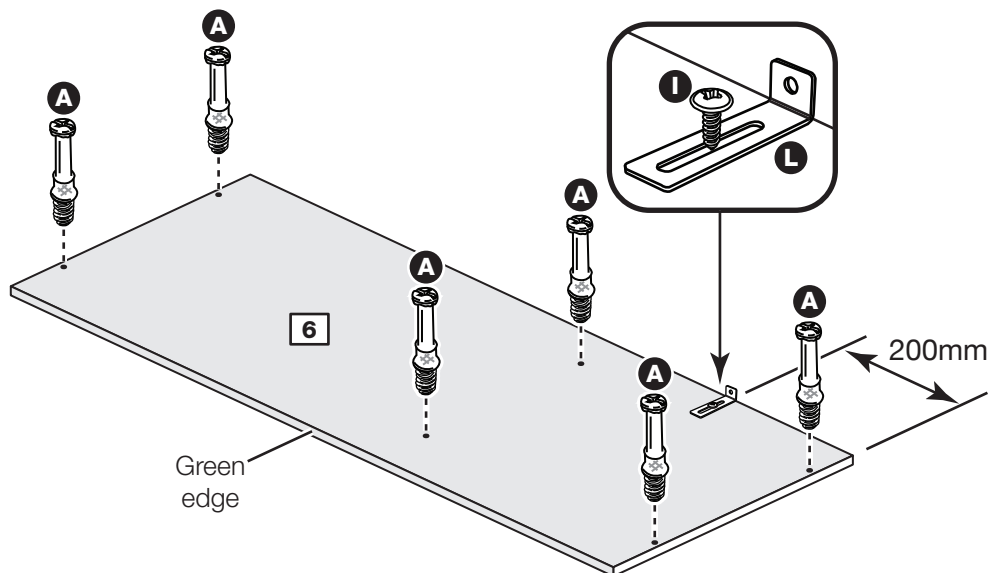


Step 22

Prepare the top

Screw 6 metal dowels **A** into the top **6**.

Fix the bracket **L** to the top **6**, 200mm in from the side, as shown, and flush to the back edge using screw **I**.



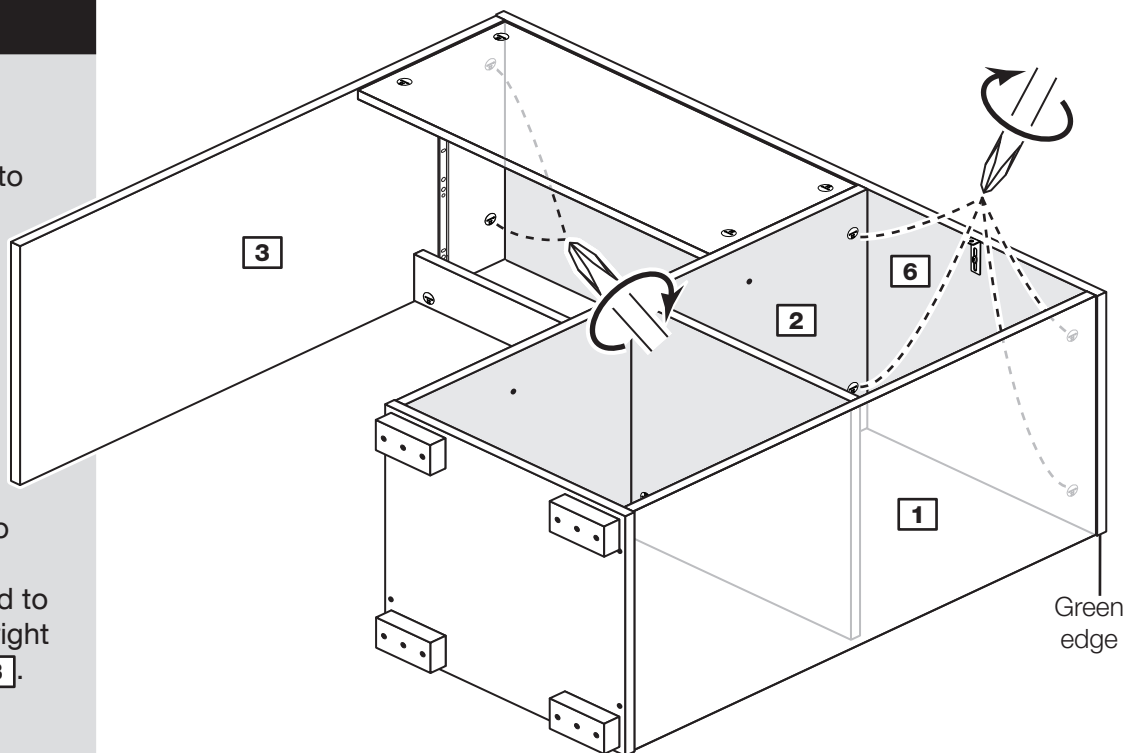
Assembly Instructions

Step 23

Fit the right side

Push the top **6** onto the assembly.

Use a screwdriver to tighten the 6 large locking nuts **B** fitted to the left side **1**, upright **2** and right side **3**.



Step 24

Fit the back

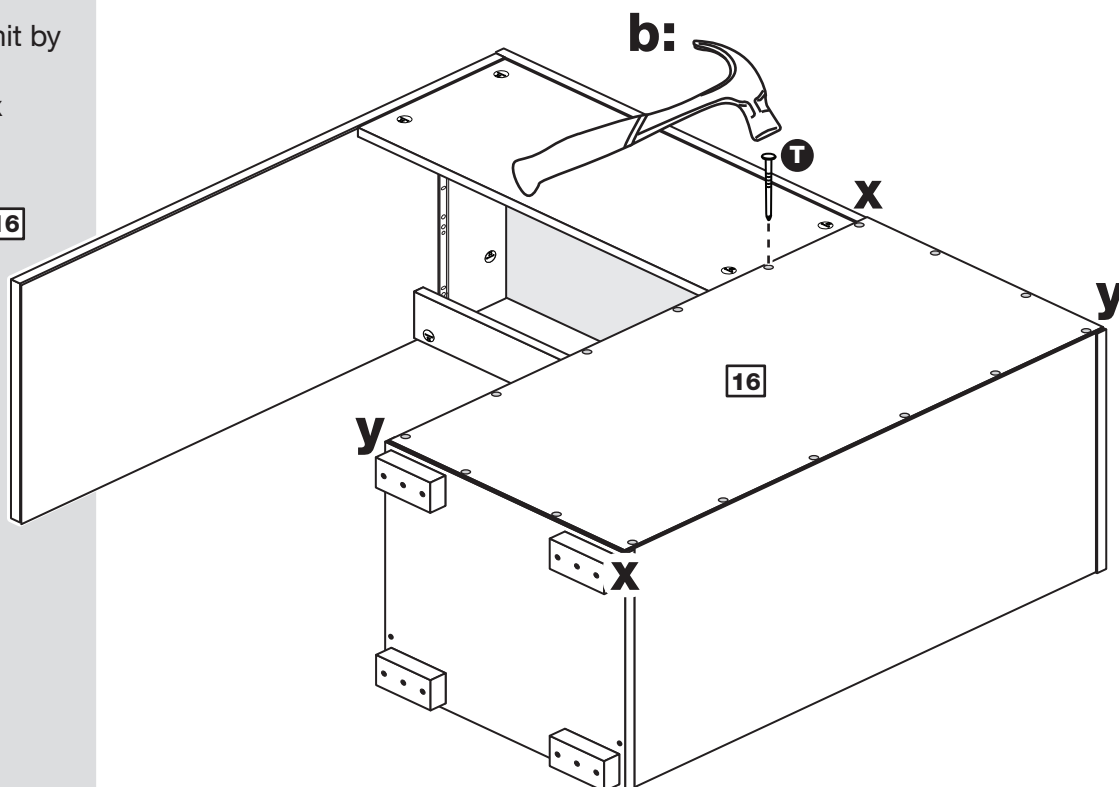
a: Square up the unit by making sure that measurement **x** to **x** equals **y** to **y**.

b: Place the back **16** onto the unit.

Nail **T** around the outside edges of the back **16**.

Note: Nails should be spaced about 150mm apart.

a: The measurement from top corner X to bottom corner X must be equal to the measurement from top corner Y to bottom corner Y

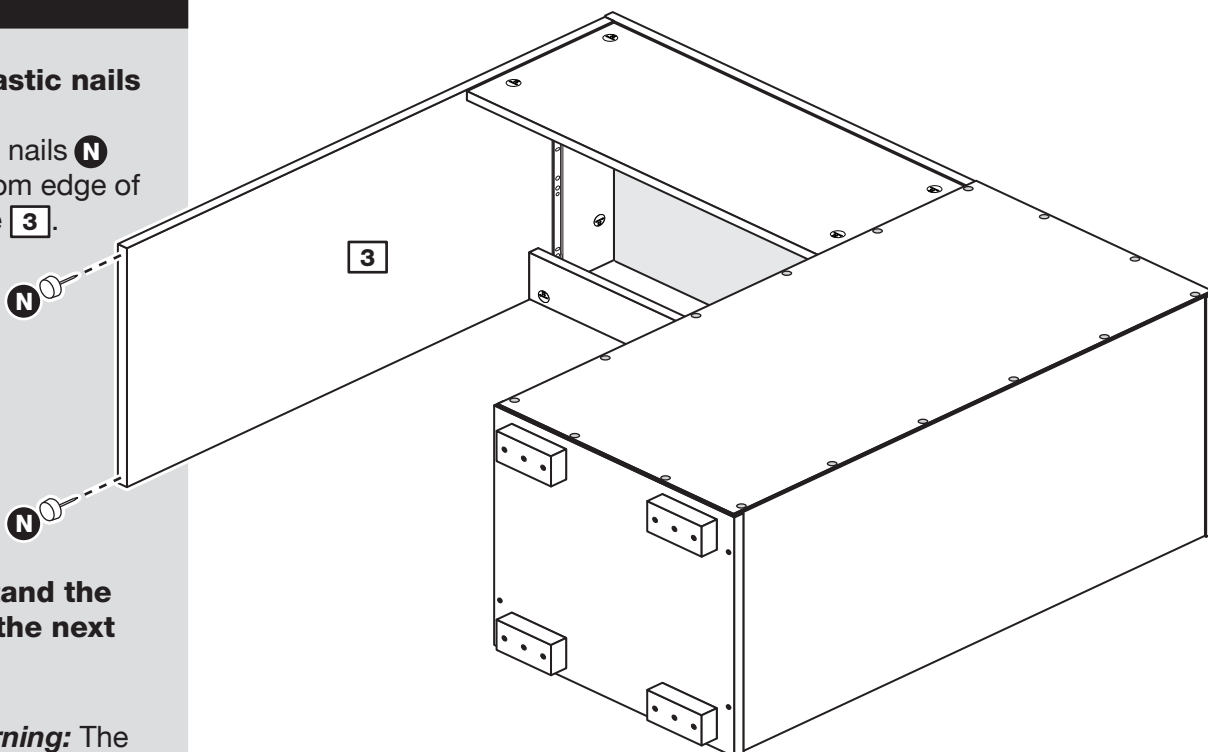


Assembly Instructions

Step 25

Fit the 2 plastic nails

Tap 2 plastic nails **N** into the bottom edge of the right side **3**.



Carefully stand the unit up for the next step.



Warning: The unit is heavy. Lift with care.

Step 26

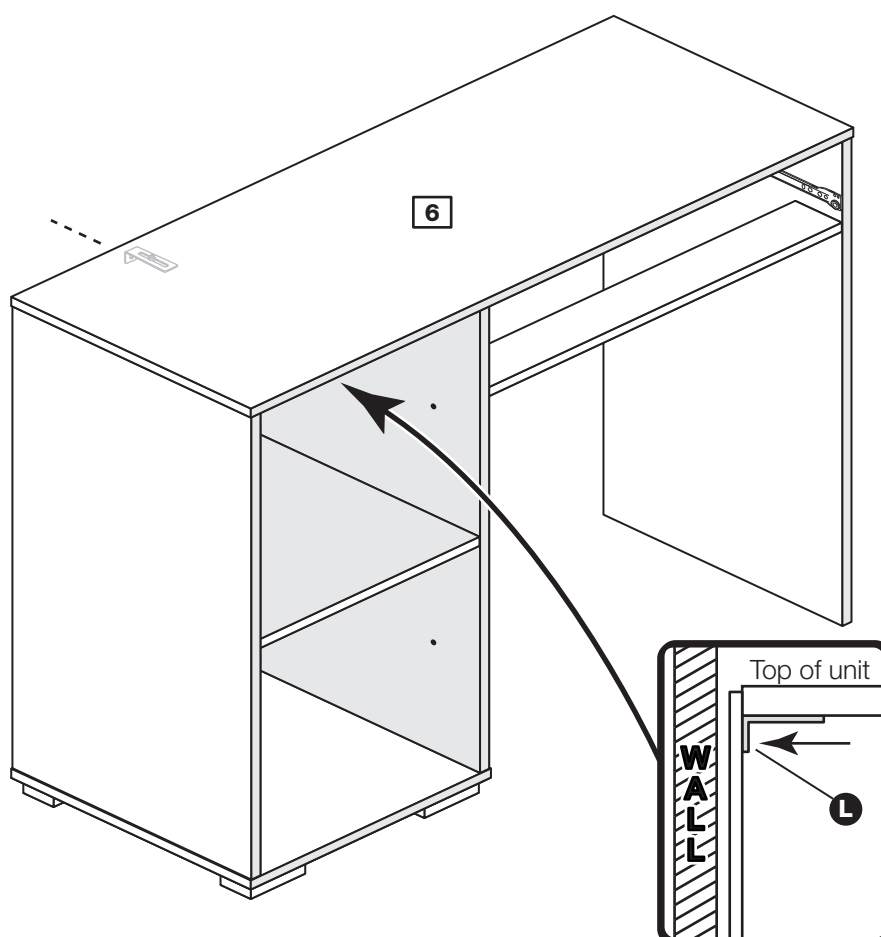
Secure unit to a wall

To prevent possible overbalancing we recommend that this unit is secured to a suitable wall by use of the metal bracket **L** fitted to the top **6**.

Fixings are not supplied as they will need to suit the wall type, and the length of screw will depend on the distance of the back of the unit to the wall.



Warning: Take care when drilling the wall that you do not drill into any pipes, wires etc. If in doubt, consult an expert.

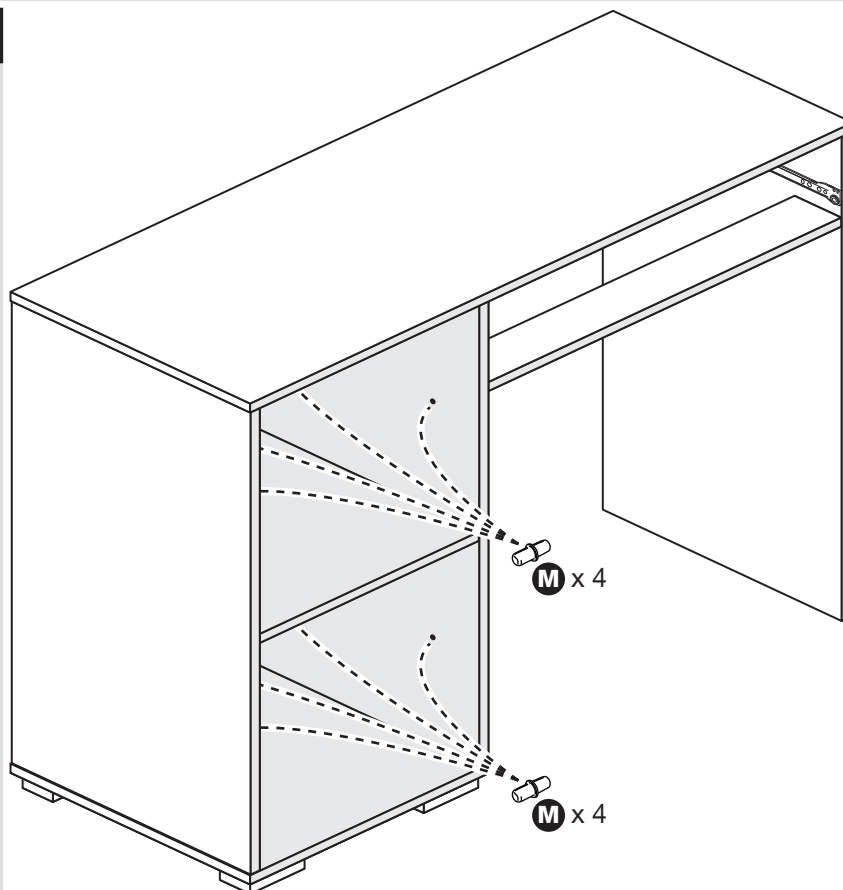


Assembly Instructions

Step 27

Fit the loose shelves

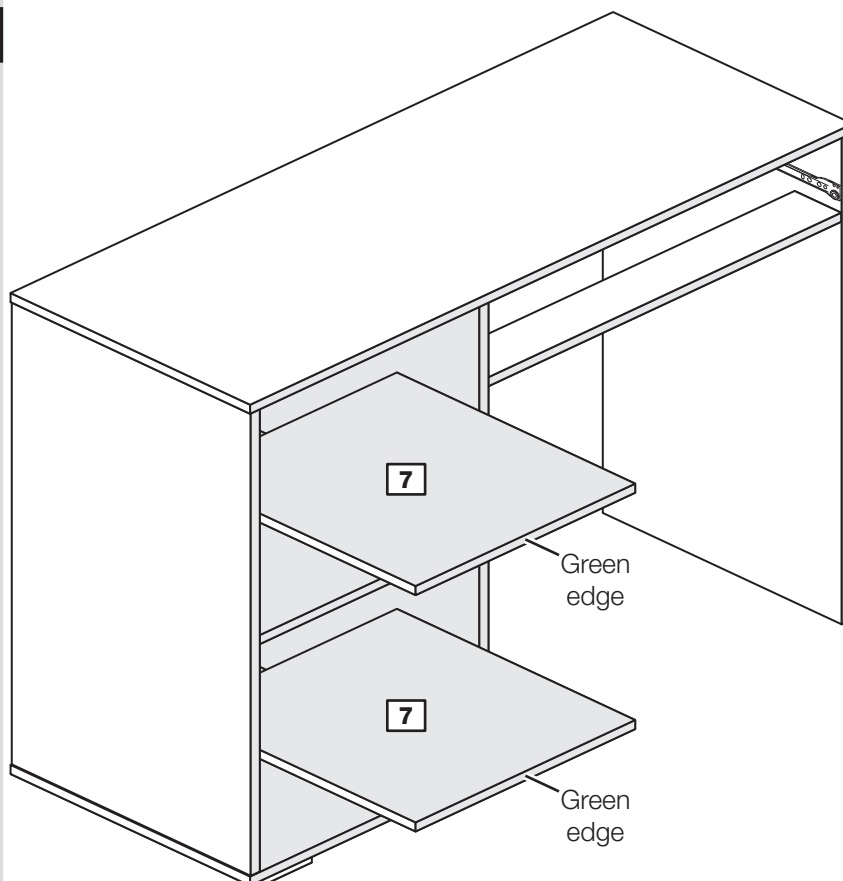
For each of the 2 loose shelves **7**, insert 4 shelf studs **M**.



Step 28

Fit the loose shelves

Lower the 2 shelves **7** down onto the shelf studs **M**.

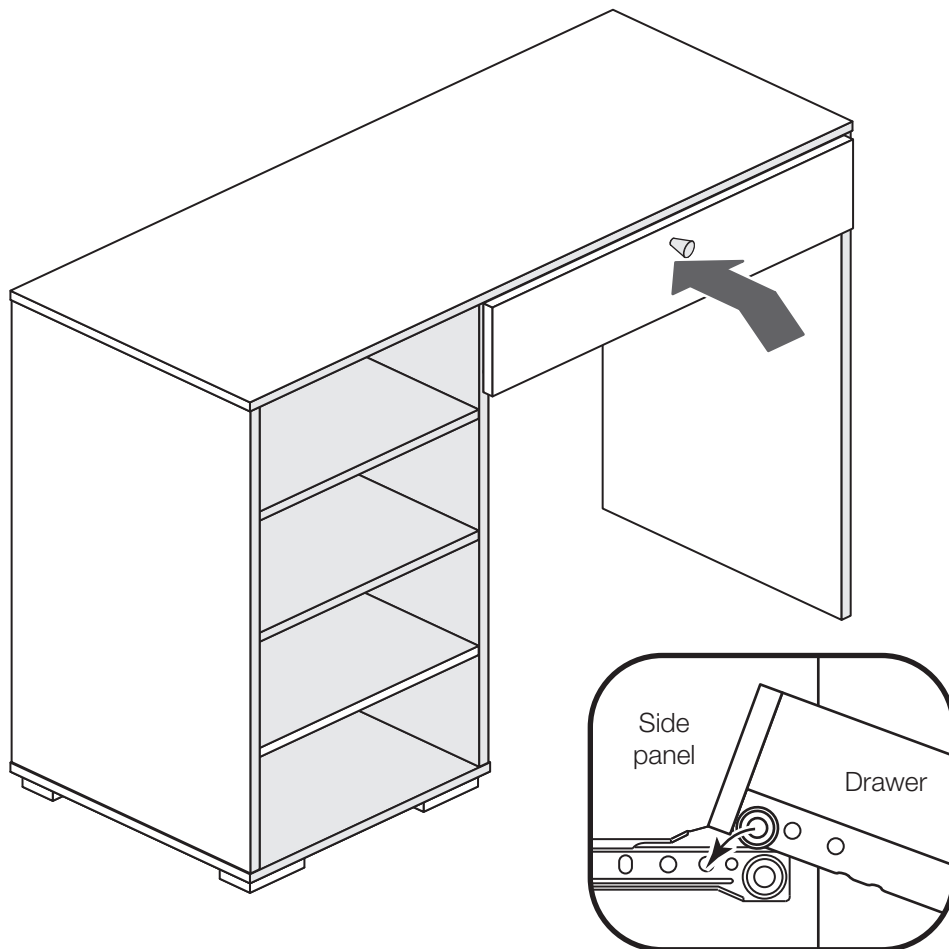


Assembly Instructions

Step 29

Fit the drawer

Slide the wheels of the runners fitted to the drawer, over the wheels of the runners fitted to the side panels and push the drawer into position.



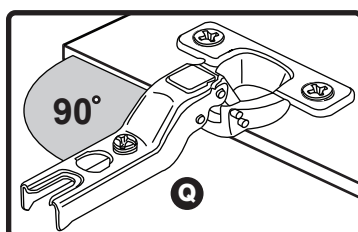
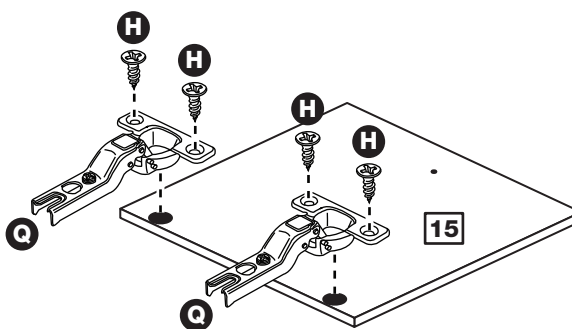
Step 30

Prepare door

Push fit the 2 hinges **Q** into the door **15**.

Secure each hinge with 2 screws **H**.

Note: Before securing with the screws, make sure that the hinges are positioned at 90 degrees with the edge of the door.



Assembly Instructions

Step 31

Fit the door and its handle

Note: The easiest way to attach the door **15** is to fit the top hinge first, then align and fit the other hinge.

a: Push the hinge **Q** onto the front part of the hinge plate **P**.

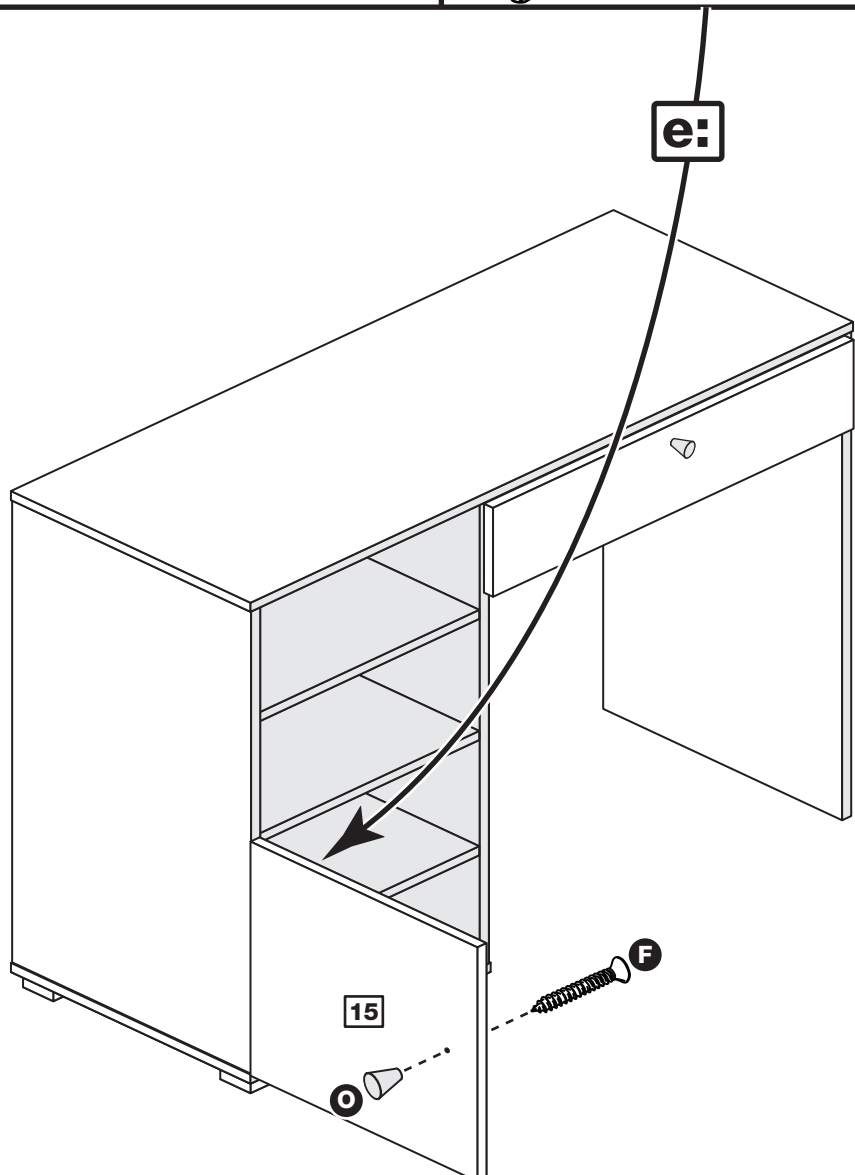
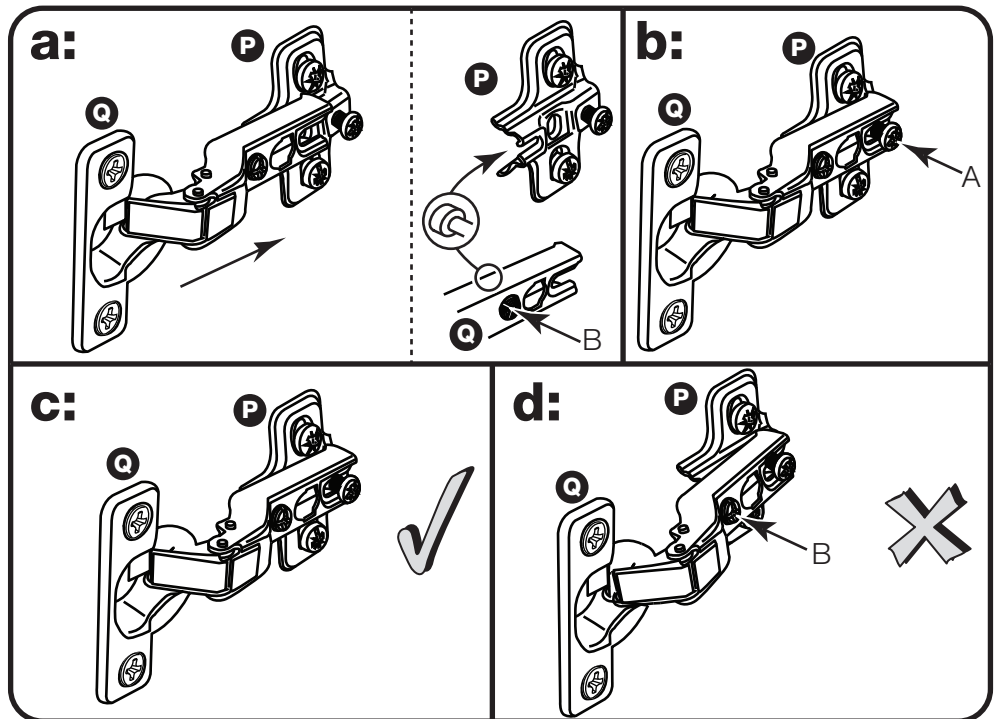
b: Keep the hinge **Q** FLAT against the hinge plate **P** as you slide it across as far as it will go. Tighten screw **A**.

c: The hinge **Q** must be flat against the hinge plate **P** prior to any adjustment.

d: The hinge **Q** must NOT be AT AN ANGLE to the hinge plate **P** when assembled. This would indicate that the recess at the bottom of screw **B** had not located in the slot in the hinge plate and the hinge would not be secure. Remove the hinge from the hinge plate and then re-assemble being careful to follow instructions a-c.

e: Attach a handle **O** to the door **15** using screw **F**.

Note: Do not overtighten screw **F**.



Assembly Instructions

Step 32

Adjust the door if needed

a: Before adjusting the door, use a spirit level to check the top (or base) of the unit is level, front-to-back and side-to-side in the 3 positions shown. Use suitable packing pieces (not supplied) to make the unit level BEFORE making any adjustment to the hinges, as shown.

b: Height adjustment.

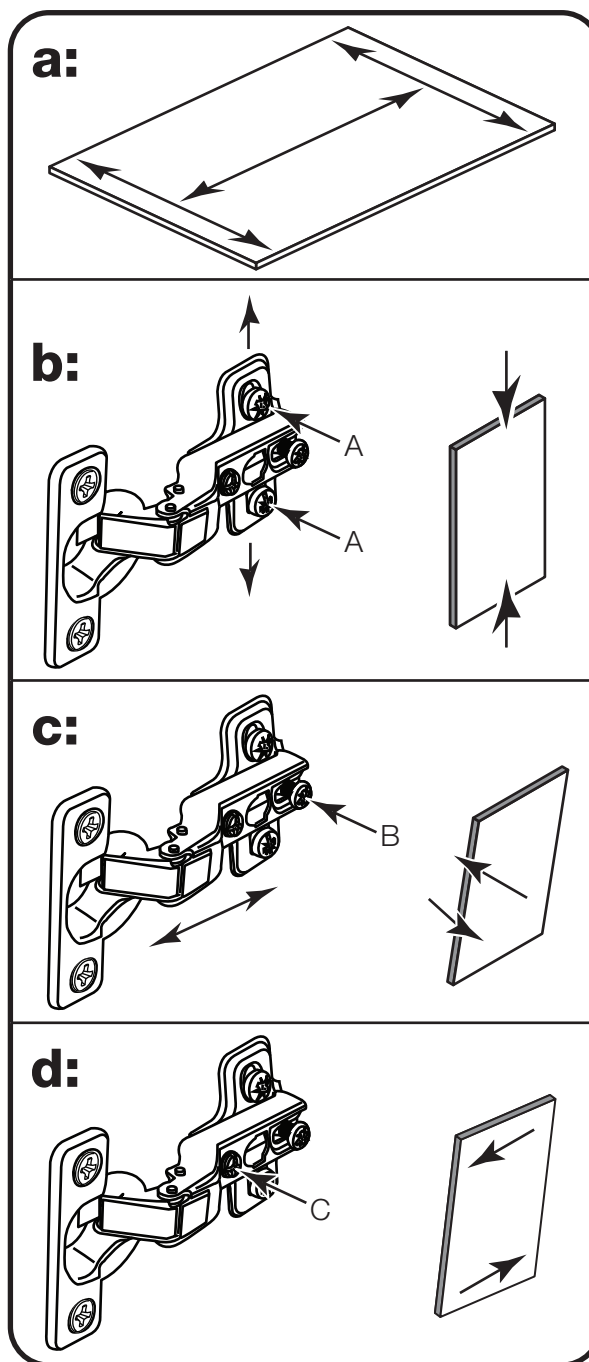
Loosen screws A on hinge plates and move door up or down as required. Retighten screw A.

c: Forward and Back adjustment.

Loosen screw B on hinge plate and move door in or out as required. Retighten screw B.

d: Sideways adjustment.

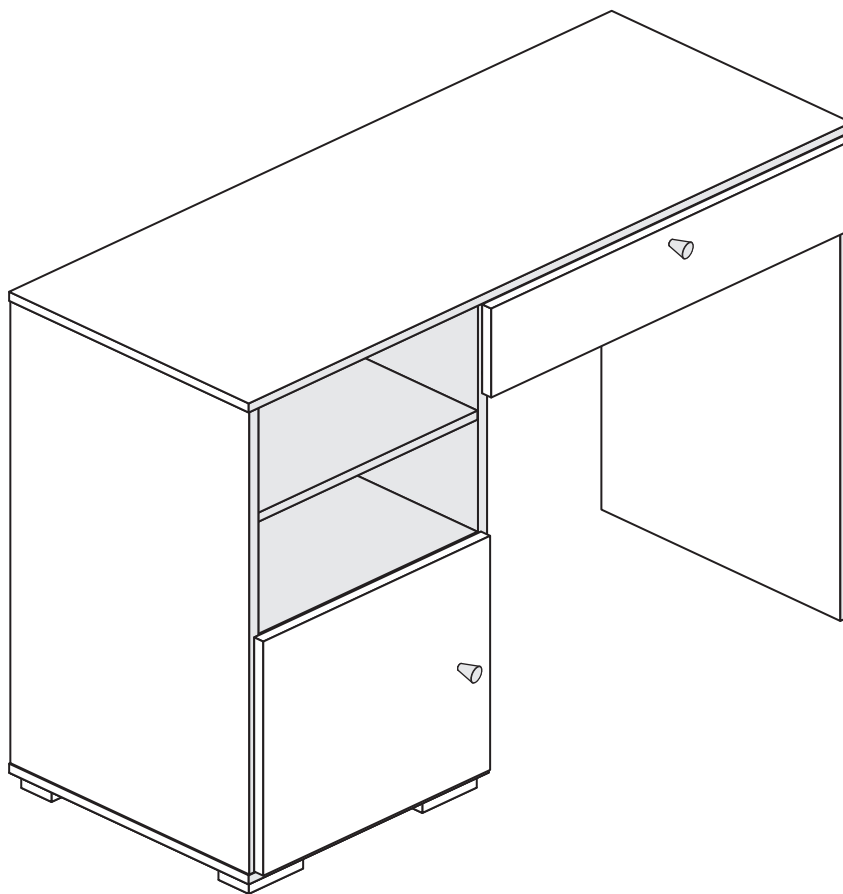
To move door 'out' loosen screw C. To move door 'in' tighten screw C.



Assembly Instructions

Step 33

Assembly is complete



If you need help or have damaged or missing parts, call the **Customer Helpline: 08456 400800** and quote the reference numbers on the component pages.

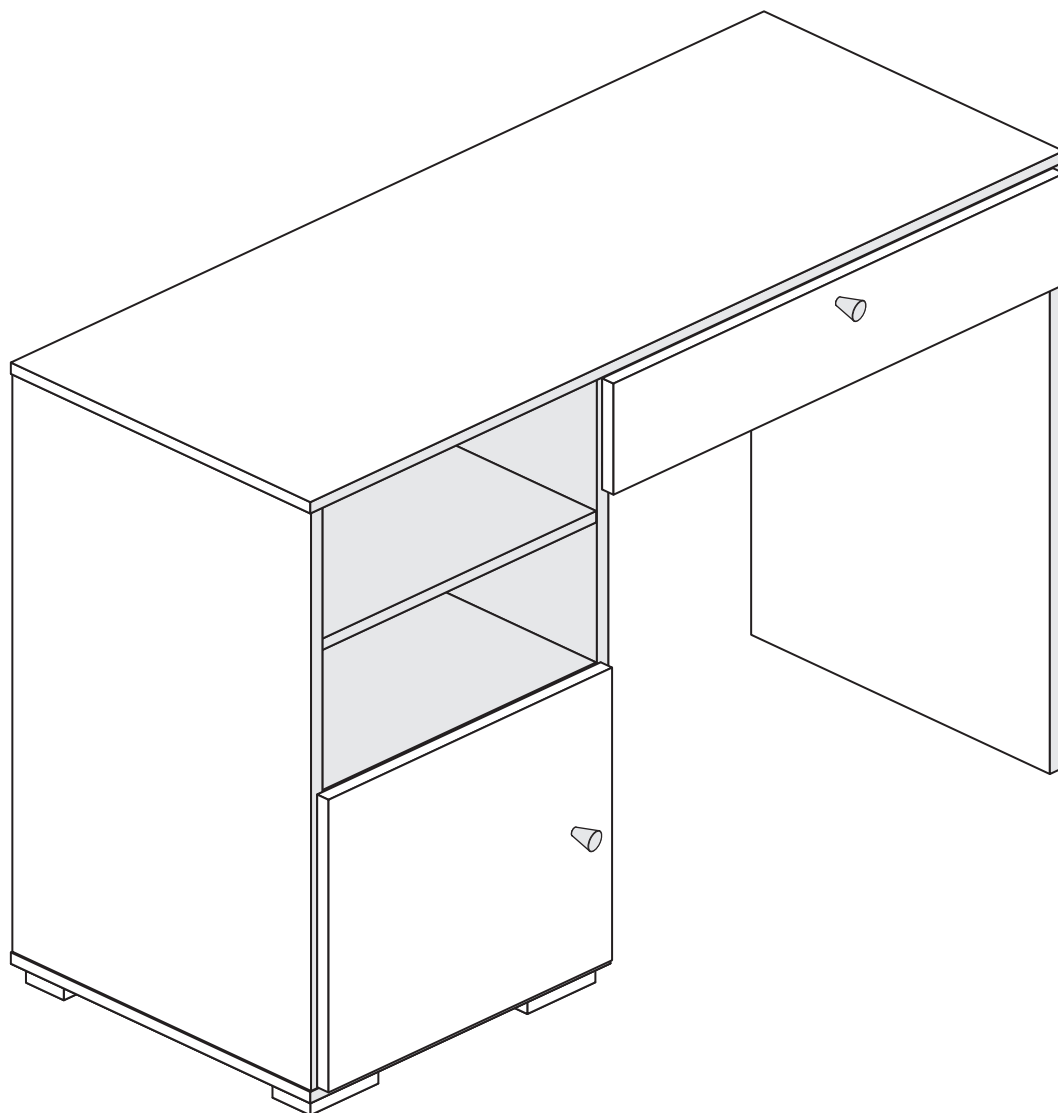
Argos Ltd, 489-499 Avebury Boulevard, Central Milton Keynes, MK9 2NW

Zest - Desk

Assembly Instructions - Please keep for future reference

245/7558

346/7853



Dimensions

Width - 100cm

Depth - 40cm

Height - 82cm



**MADE IN
BRITAIN**

Important - Please read these instructions fully before starting assembly

If you need help or have damaged or missing parts, call the **Customer Helpline: 03456 400800**



Safety and Care Advice

Important - Please read these instructions fully before starting assembly

- **Warning:** This unit weighs approximately 25kgs. Please lift with care.
- Check you have all the components and tools listed on pages 1, 2 and 3.
- Remove all fittings from the plastic bags and separate them into their groups.
- Keep children and animals away from the work area, small parts could choke if swallowed.
- Parts of the assembly will be easier with 2 people.

- Make sure you have enough space to layout the parts before starting.
- Do not stand or put weight on the product, this could cause damage.
- Assemble the item as close to its final position (in the same room) as possible.
- Assemble on a soft level surface to avoid damaging the unit or your floor (use opened out unit carton).



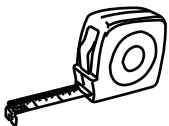
• We do not recommend the use of power drill/drivers **for inserting screws**, as this could damage the unit. Only use hand screwdrivers.

- **Safety note:** It is recommended that this unit is secured to a wall using the overbalance protector kit supplied or, an alternative fixing method of your choice.
- Dispose of all packaging carefully and responsibly.

Care and maintenance

- Only clean using a damp cloth and mild detergent, do not use bleach or abrasive cleaners.
- From time to time check that there are no loose screws on this unit.
- This product should not be discarded with household waste. Take to your local authority waste disposal centre.

Tools required



Rule



Cross-head screwdriver



Scissors



Hammer



Eye protection (when using a hammer or drill)



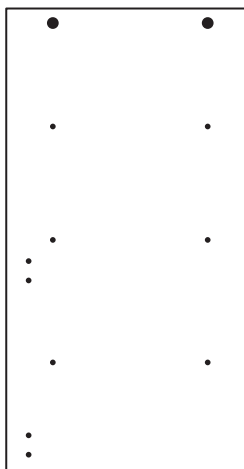
Electric drill (do not use for fitting screws)

Note: If required the next page can be cut out and used as reference throughout the assembly. Keep this page with these instructions for future reference.

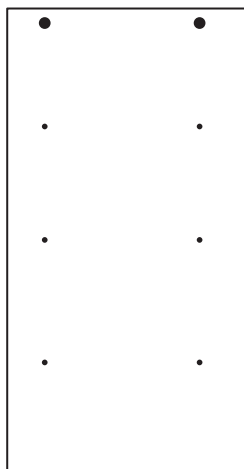
Components - Panels

If you have damaged or missing components, call the **Customer Helpline: 03456 400800** quoting the reference numbers below

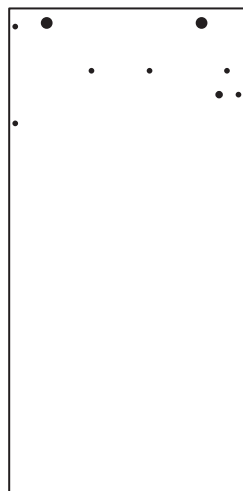
Please check you have all the panels listed below



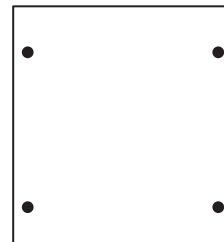
1 Left Side (DF755)
(765 x 395mm)



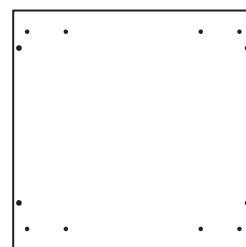
2 Upright (DF756)
(765 x 395mm)



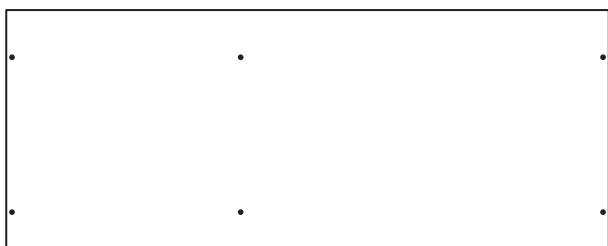
3 Right Side (DF762)
(801.5 x 395mm)



4 Fixed Shelf (DF758)
(363 x 394mm)



5 Base (DF757)
(397 x 396mm)



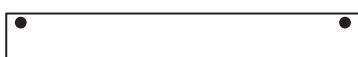
6 Top (DF754)
(996 x 396mm)



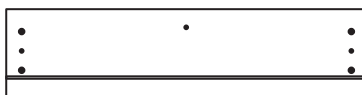
7 Loose Shelf (DF759)
(363 x 394mm) x 2



8 Modesty (DF763)
(584 x 243mm)



9 Front Rail (DF765)
(584 x 77mm)



10 Drawer Front (DF761)
(596 x 147mm)



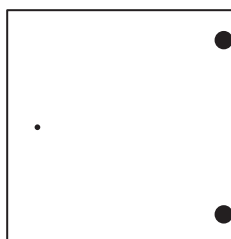
11 Left Drawer Side (W370-95LH)
(370 x 95mm)



12 Right Drawer Side (W370-95RH)
(370 x 95mm)



13 Drawer Back (W531-95)
(531 x 95mm)



15 Door (DF760)
(387 x 375mm)



16 Back (X791-390)
(791 x 390mm)



14 Drawer Base (T542-367)
(542 x 367mm)

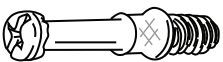










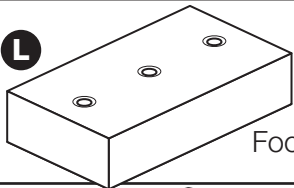
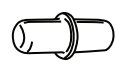

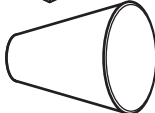

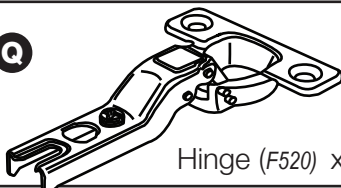




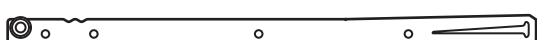

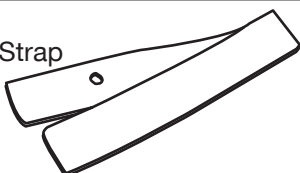




Components - Fittings

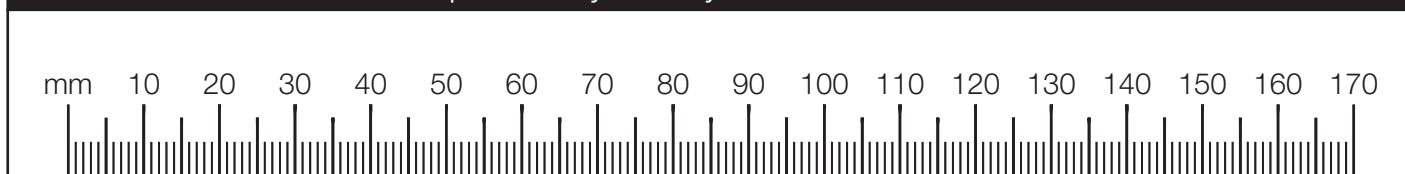
If you have damaged or missing components, call the **Customer Helpline: 03456 400800** quoting the reference numbers below

Please check you have all the fittings listed below

Note: The quantities below are the correct amount to complete the assembly. In some cases more fittings may be supplied than are required.

<p>A </p> <p>Metal dowel (F901) x 18</p>	<p>B </p> <p>Large locking nut (F900) x 16</p>	<p>C </p> <p>Small locking nut (F3) x 2</p>
<p>D </p> <p>40mm Screw (F910) x 4</p>	<p>E </p> <p>38mm Screw (F81) x 8</p>	<p>F </p> <p>32mm Screw (F72) x 2</p>
<p>G </p> <p>13mm Screw (F52) x 6</p>	<p>H </p> <p>13mm Screw (F63) x 10</p>	<p>I </p> <p>Nail (F51) x 17</p>
<p>J </p> <p>Wedgefix (F639) x 4</p>	<p>K </p> <p>Knock-in Peg (F171GY) x 4</p>	<p>L </p> <p>Foot (F233) x 4</p>
<p>M </p> <p>Shelf stud (F110) x 8</p>	<p>N </p> <p>Plastic Nail (F91) x 2</p>	<p>O </p> <p>Handle (Green - F894GRN or Purple - F894PUR) x 2</p>
<p>P </p> <p>Hinge Plate (F521) x 2</p>	<p>Q </p> <p>Hinge (F520) x 2</p>	<p>R </p> <p>Wooden dowel (F22) x 2</p>
<p>S a  L Runner (F159) x 1  350mm long</p> <p>S b  R Runner (F160) x 1</p> <p>S c  L Runner (F161) x 1</p> <p>S d  R Runner (F162) x 1</p>	<p>T </p> <p>Strap</p> <p> Screw  Washer x 2</p> <p>Overbalance protector kit (F269) x 1</p>	

Ruler - Use this ruler to help correctly identify the screws



Assembly Instructions

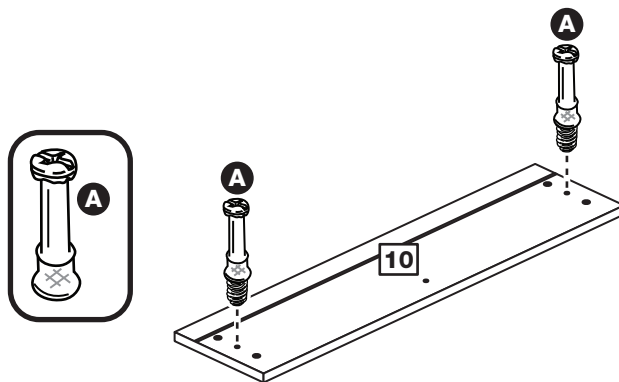
If you have damaged or missing components, call the
Customer Helpline: 03456 400800 quoting the reference
numbers below

Step 1

Prepare the drawer front

Screw 2 metal dowels **A** into the drawer front **10**.

Note: Tighten the metal dowels up fully against the panels.

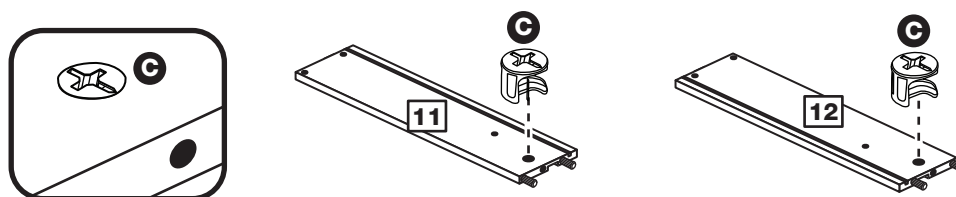


Step 2

Prepare the drawer sides

Insert a small locking nut **C** into the hole shown on the left drawer side **11** and the right drawer side **12**.

Note: The arrow on the locking nut **must** point towards the hole in the edge of the panel.



Step 3

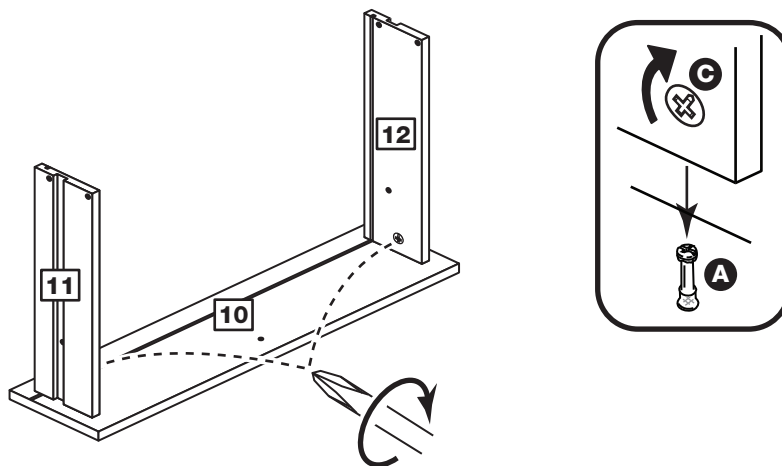
Attach the drawer sides to the drawer fronts

Push the left drawer sides **11** and right drawer sides **12** onto the back of the drawer fronts **10**.

Turn the small locking nuts **C** on the left drawer side **11** and right drawer side **12**.

Note: Turn the locking nuts **C** clockwise to secure panels - more than 1/2 a turn.

Note: The locking nuts can be on either surface of the drawer sides. Make sure that the small groove is on the inside, as shown.

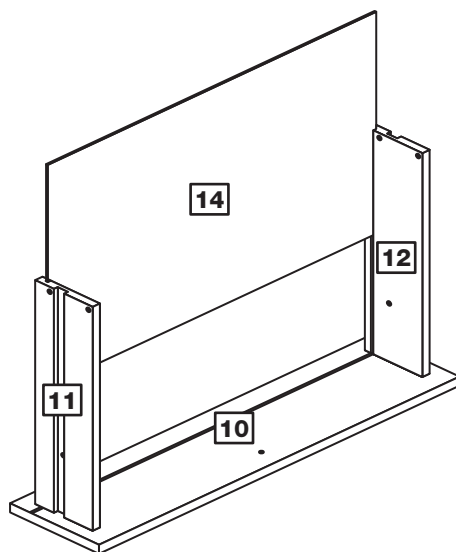


Assembly Instructions

Step 4

Fit the drawer base

Slide the drawer base **14** down the grooves in the drawer sides **11** and **12** and down into the groove in the drawer front **10**.

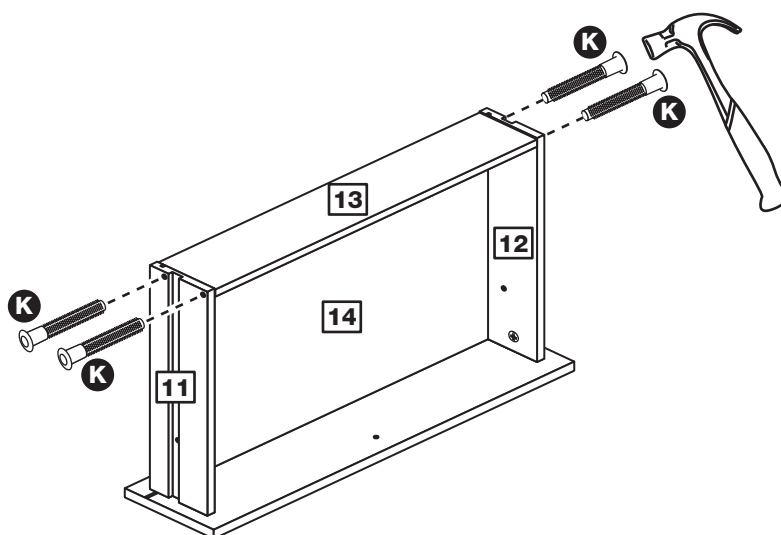


Step 5

Fit the drawer back

Fit the drawer back **13** between the drawer sides **11** and **12**. Make sure that the drawer base **14** fits into the groove in the drawer back **13**.

Hold the drawer back **13** in position and tap the knock-in pegs **K** through the holes in the drawer sides **11** and **12**.

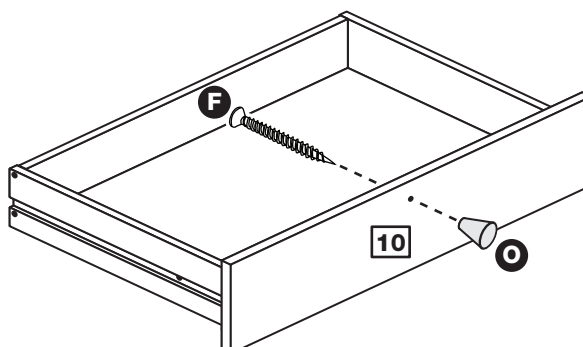


Step 6

Attach the handle

Attach a handle **O** to the drawer front **10** using screw **F**.

Note: Do not overtighten the screw.

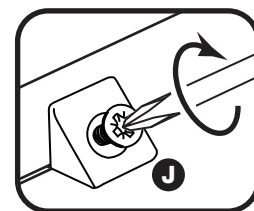
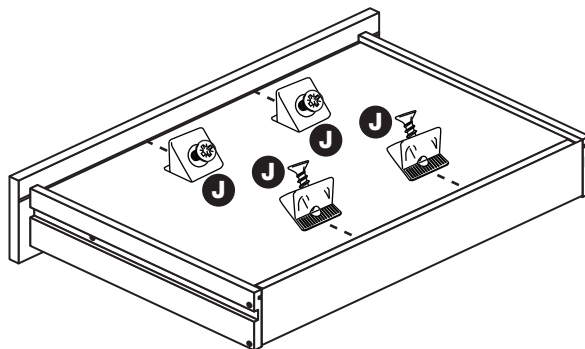


Assembly Instructions

Step 7

Fit the wedgexes

Turn the drawer assembly over and slide 4 wedgexes **J** into the front and back grooves, as shown, and tighten up the screws.



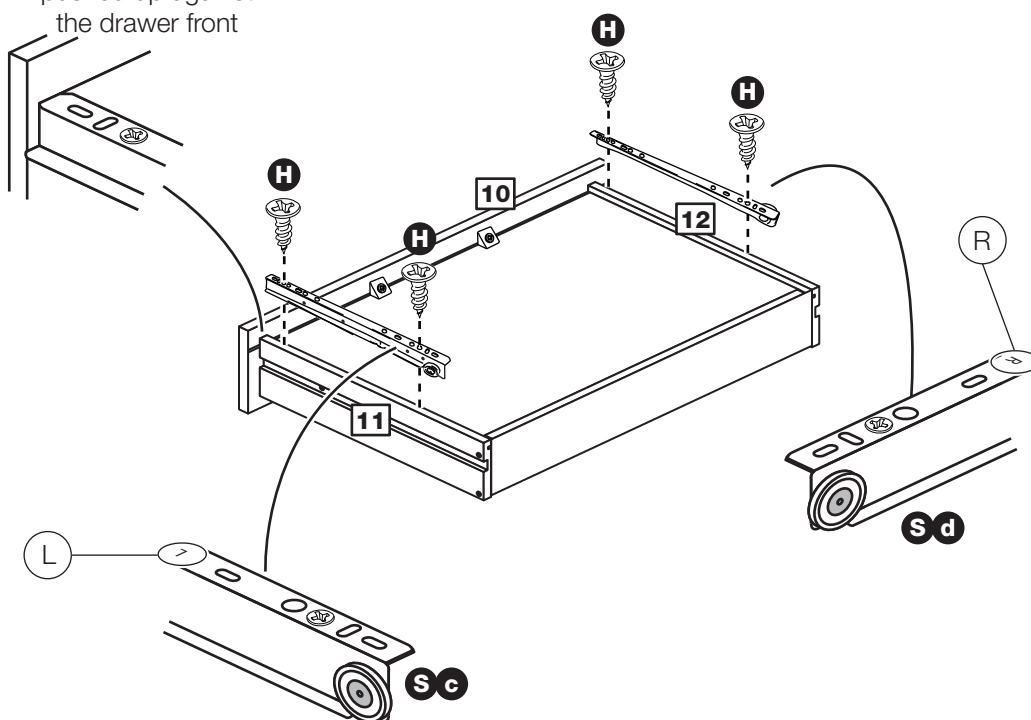
Step 8

Fit the runners to the drawer

Fit runner **Sd**, marked with 'R', to the bottom edge of the right drawer side **12**, as shown, making sure that it is pushed up against the back of the drawer front **10**. Use a bradawl to mark the fixing positions, then secure with 2 screws **H**.

Fit runner **Sc**, marked 'L', to the bottom edge of the left drawer side **11** using the same method.

Runners must be pushed up against the drawer front



Assembly Instructions

Step 9

Prepare the upright

a: Screw 3 metal dowels **A** into the upright **2**.

Fit the runner **Sa** to the upright **2**.

The 1st screw **G** uses the 2nd hole in from the front of the runner.

The 2nd and 3rd screws **G** use the holes that line up with the other panel holes.

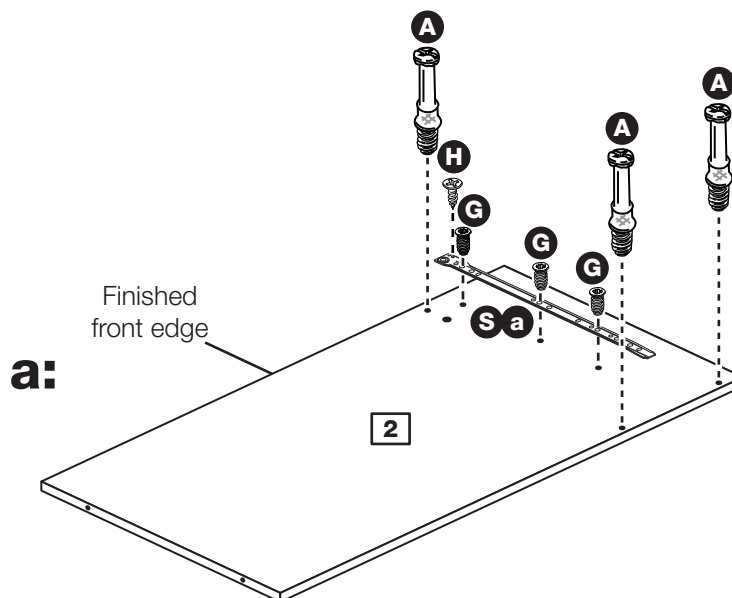
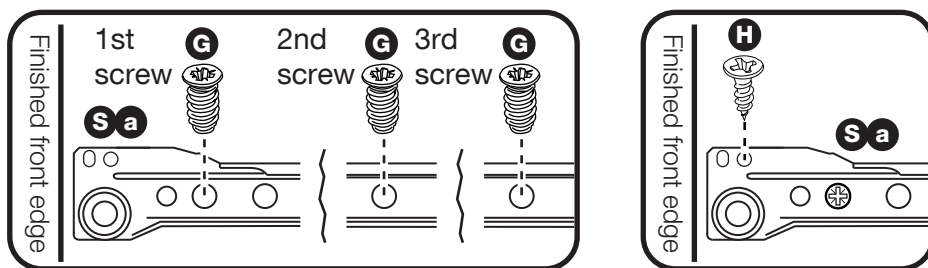
Fit a screw **H** into the 2nd hole in at the top of the runner **Sa**.

Turn the upright over

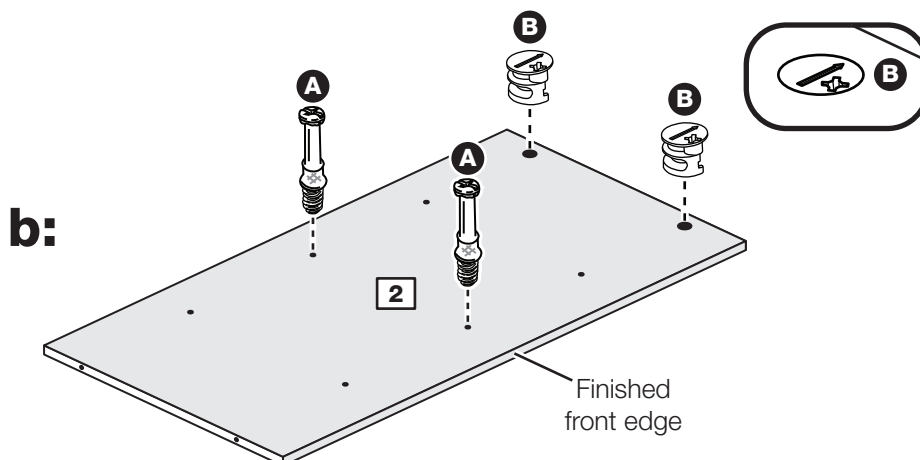
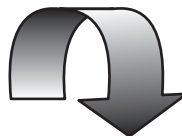
b: Insert 2 large locking nuts **B** into the upright **2**.

Note: The arrow on the locking nut **must** point towards the hole in the edge of the panel.

Screw 2 metal dowels **A** into the upright **2**.



Turn the upright over



Assembly Instructions

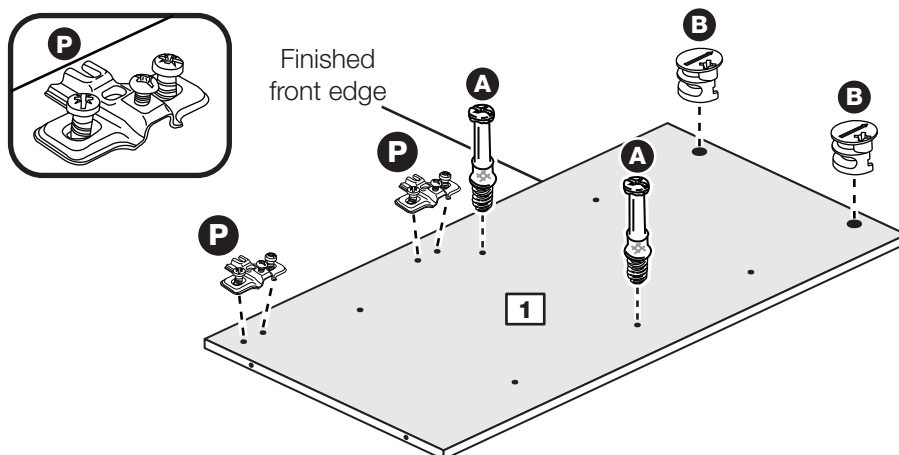
Step 10

Prepare the left side

Screw 2 metal dowels **A** into the left side **1**.

Insert 2 large locking nuts **B** into the left side **1**.

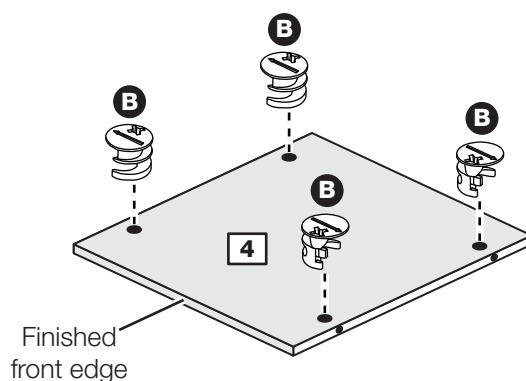
Fit 2 hinge plates **P** to the left side **1** making sure that the slot is



Step 11

Prepare the fixed shelf

Insert 4 large locking nuts **B** into the fixed shelf **4**.



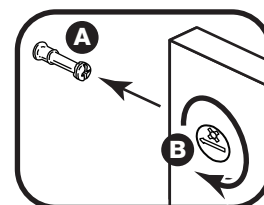
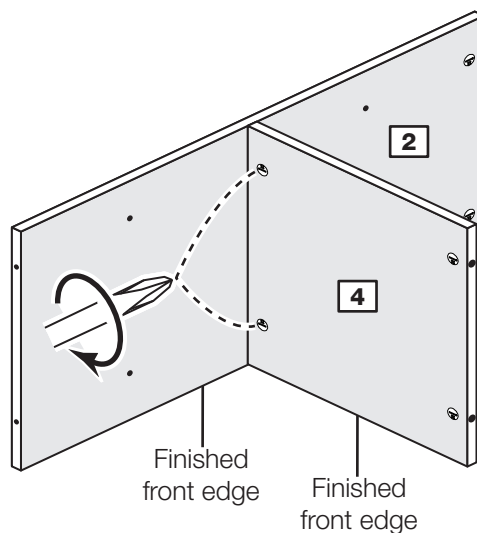
Step 12

Fit the fixed shelf to the upright

Push the fixed shelf **4** onto the upright **2**.

Use a screwdriver to tighten the 2 large locking nuts **B** fitted to the fixed shelf **4**.

Note: Turn the large locking nuts **B** as far as they will go - more than 1/2 a turn.



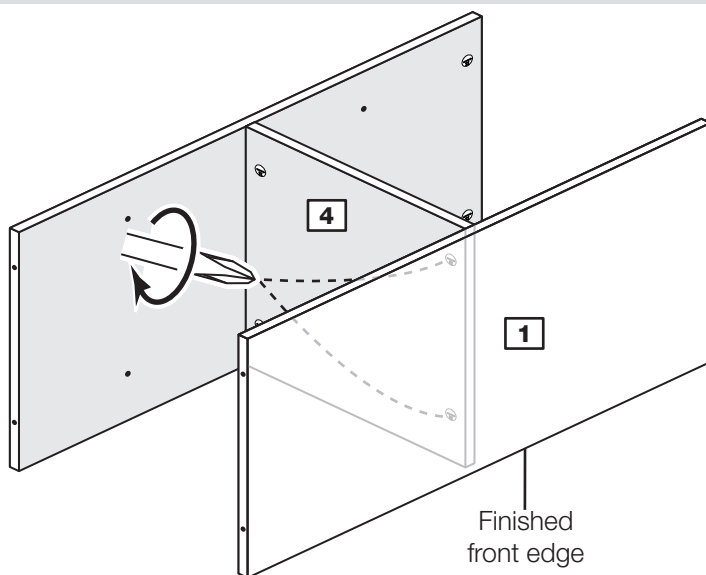
Assembly Instructions

Step 13

Fit the left side to the fixed shelf

Push the left side **1** onto the fixed shelf **4**.

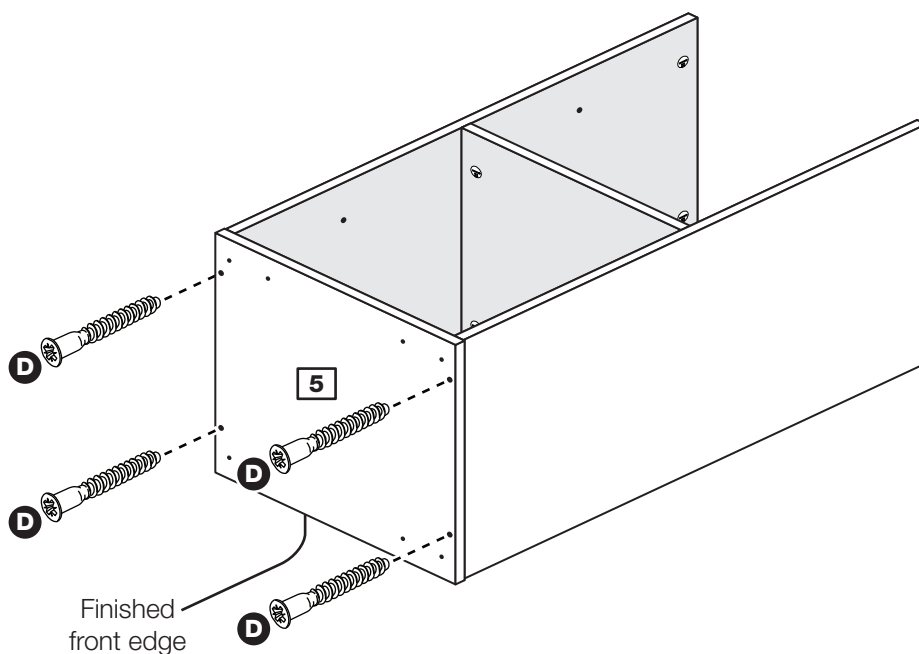
Use a screwdriver to tighten the 2 large locking nuts **B** fitted to the fixed shelf **4**.



Step 14

Fit the base

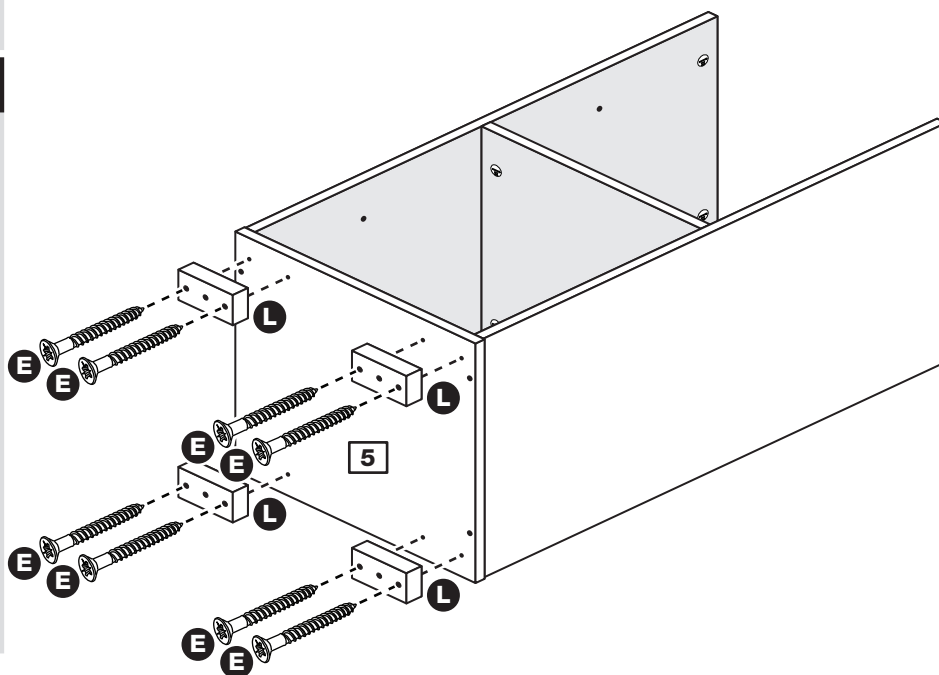
Fit the base **5** onto the assembly using 4 screws **D**.



Step 15

Fit the feet

Fit the feet **L** to the base **5** using screws **E**.



Assembly Instructions

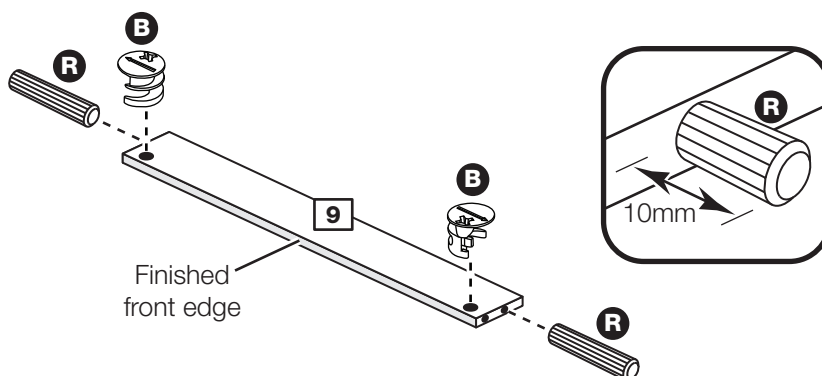
Step 16

Prepare the front rail

Insert 2 large locking nuts **B** into the front rail **9**.

Tap 2 wooden dowels **R** into the front rail **9**.

Note: Wooden dowels **must not** stick out from the edge by more than 10mm or they may damage other panels.

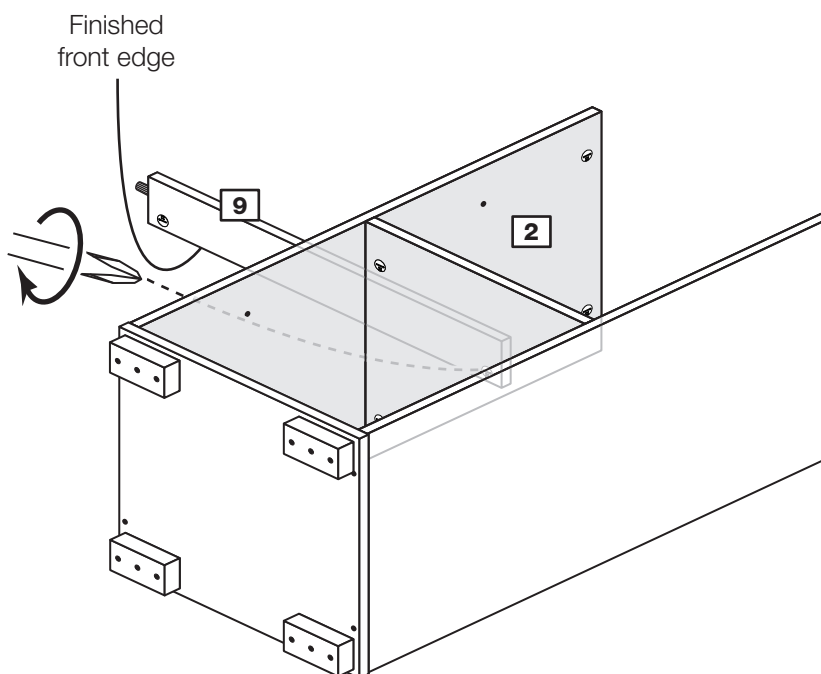


Step 17

Fit the front rail to the upright

Push the front rail **9** onto the upright **2**.

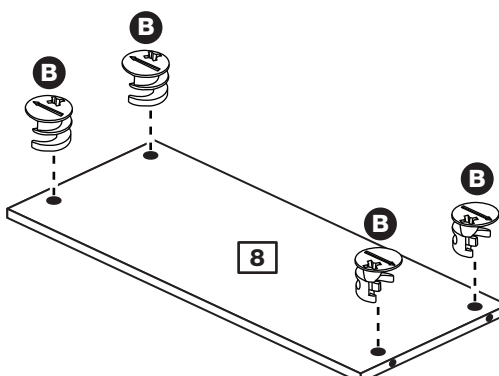
Use a screwdriver to tighten the large locking nut **B** fitted to the front rail **9**.



Step 18

Prepare the modesty

Insert 4 large locking nuts **B** into the modesty **8**.



Assembly Instructions

Step 19

Prepare the right side

a: Fit the runner **Sb** to the right side **3**.

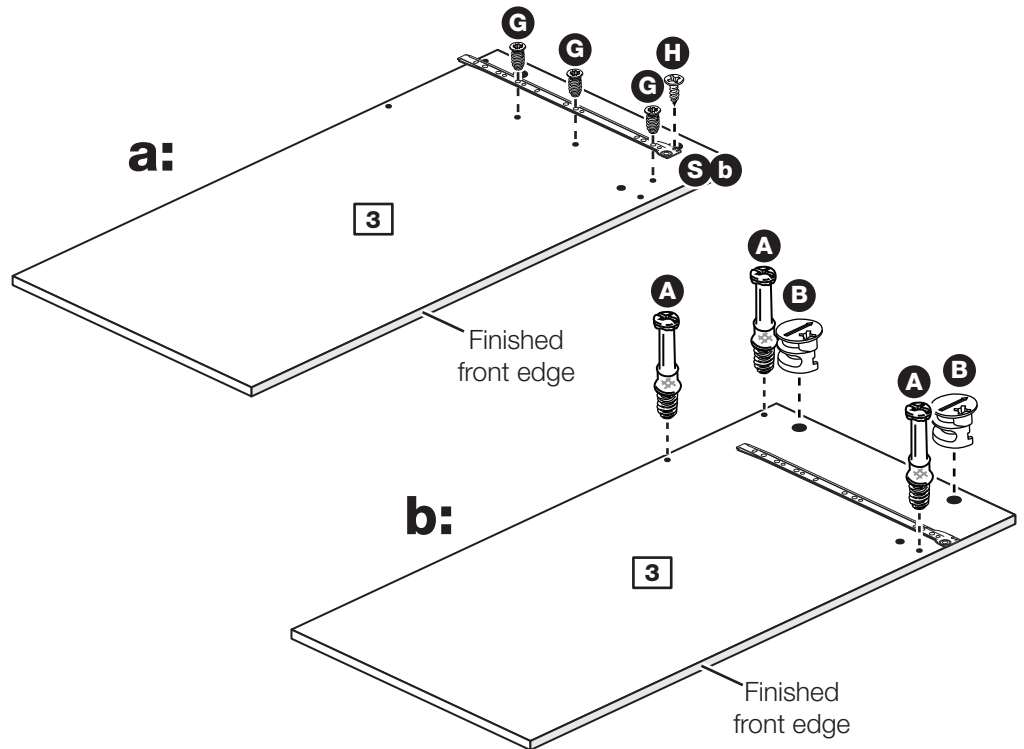
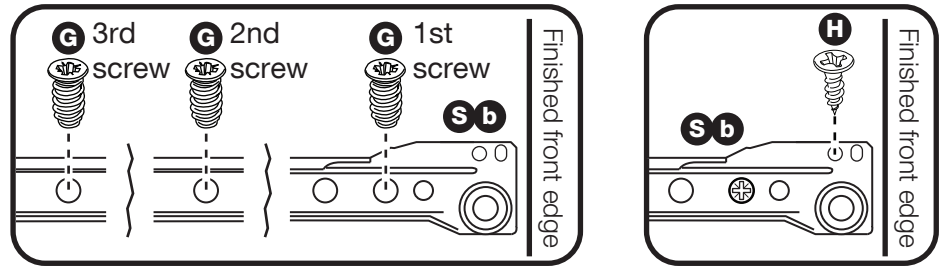
The 1st screw **G** uses the 2nd hole in from the front of the runner.

The 2nd and 3rd screws **G** use the holes that line up with the other panel holes.

Fit a screw **H** into the 2nd hole in at the top of the runner **Sb**.

b: Insert 2 large locking nuts **B** into the right side **3**.

Screw 3 metal dowels **A** into the right side **3**.

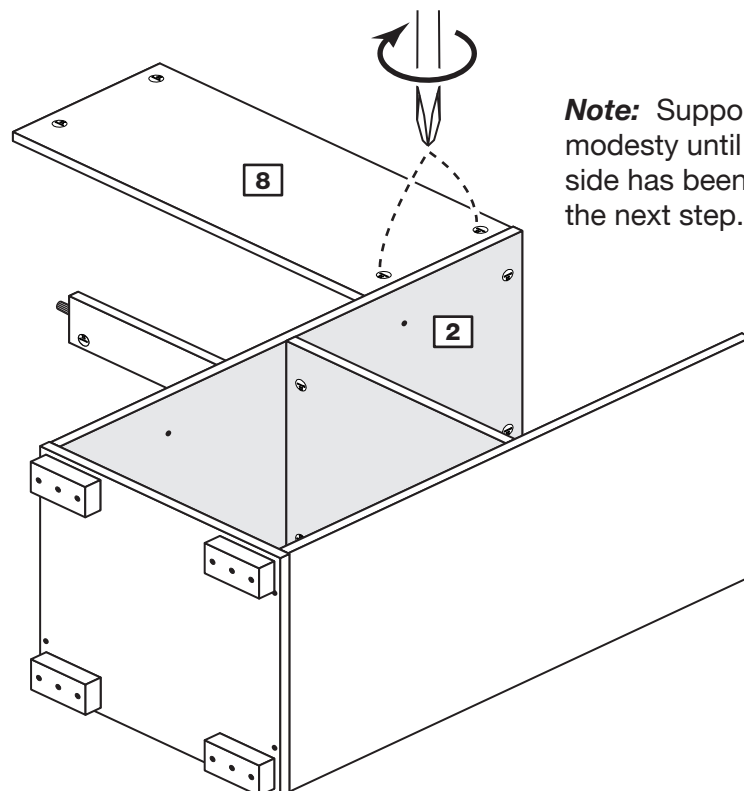


Step 20

Fit the modesty to the upright

Push the modesty **8** onto the upright **2**.

Use a screwdriver to tighten the 2 large locking nuts **B** fitted to the modesty **8**.



Note: Support the modesty until the right side has been fitted in the next step.

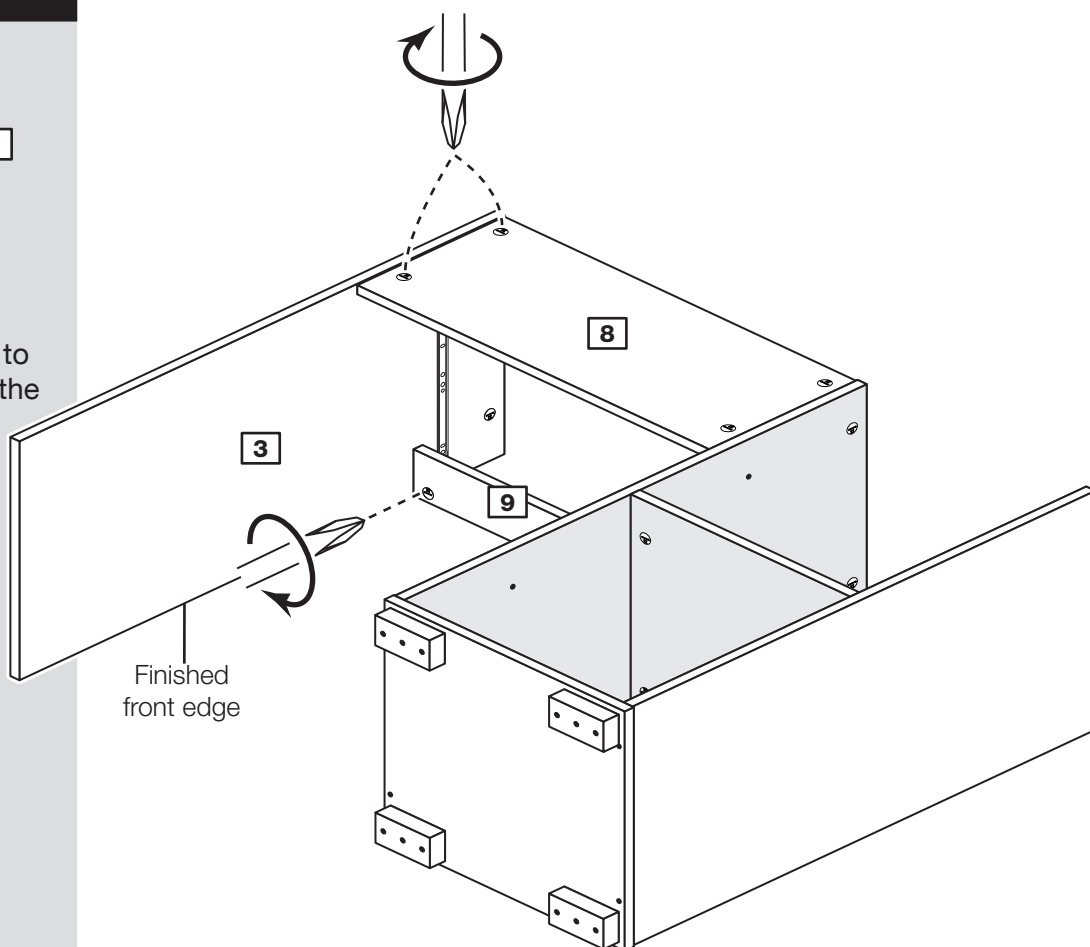
Assembly Instructions

Step 21

Fit the right side

Push the right side **3** onto the modesty **8** and front rail **9**.

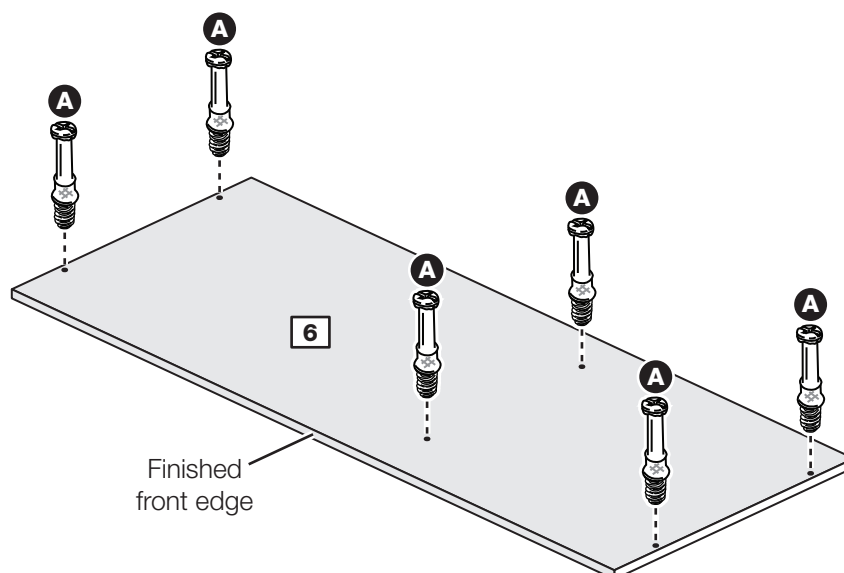
Use a screwdriver to tighten the 3 large locking nuts **B** fitted to the modesty **8** and the front rail **9**.



Step 22

Prepare the top

Screw 6 metal dowels **A** into the top **6**.



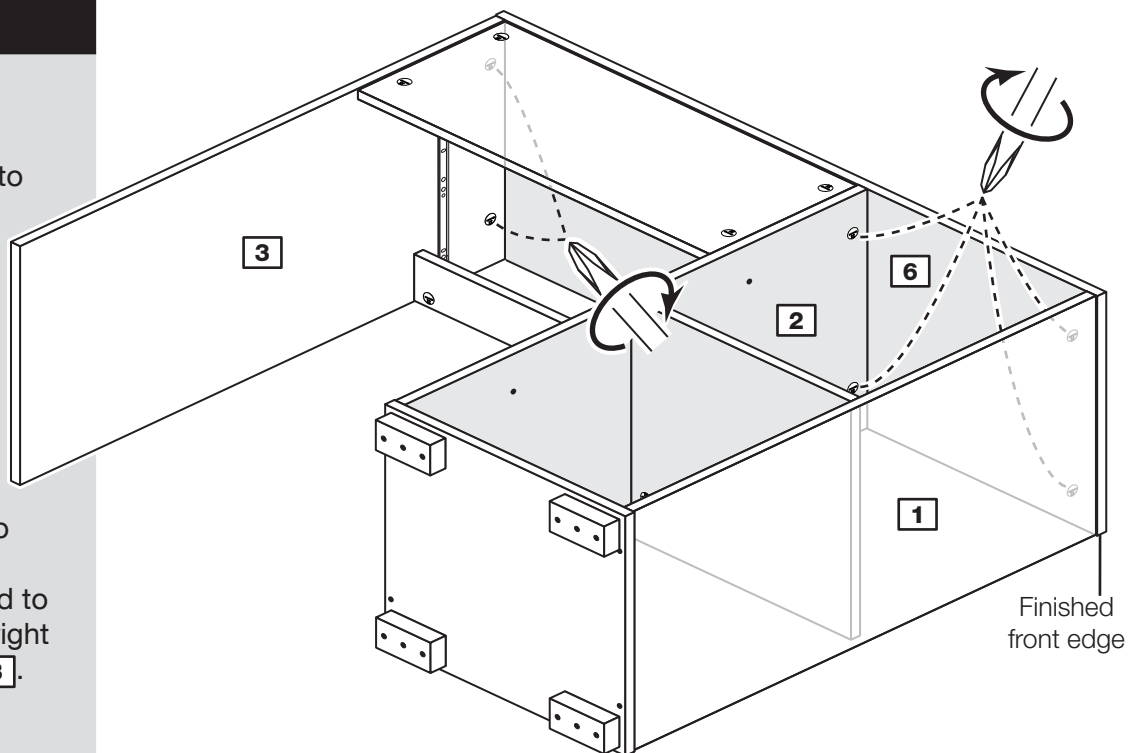
Assembly Instructions

Step 23

Fit the right side

Push the top **6** onto the assembly.

Use a screwdriver to tighten the 6 large locking nuts **B** fitted to the left side **1**, upright **2** and right side **3**.



Step 24

Fit the back

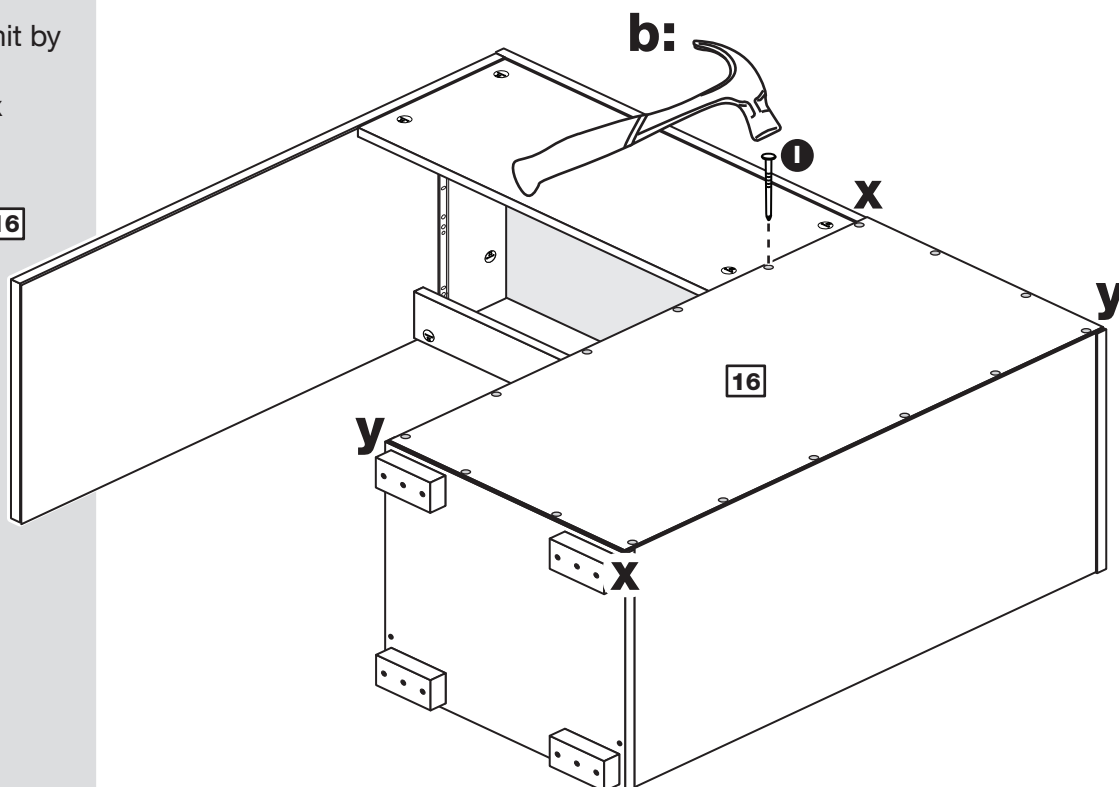
a: Square up the unit by making sure that measurement **x** to **x** equals **y** to **y**.

b: Place the back **16** onto the unit.

Nail **1** around the outside edges of the back **16**.

Note: Nails should be spaced about 150mm apart.

a: The measurement from top corner X to bottom corner X must be equal to the measurement from top corner Y to bottom corner Y

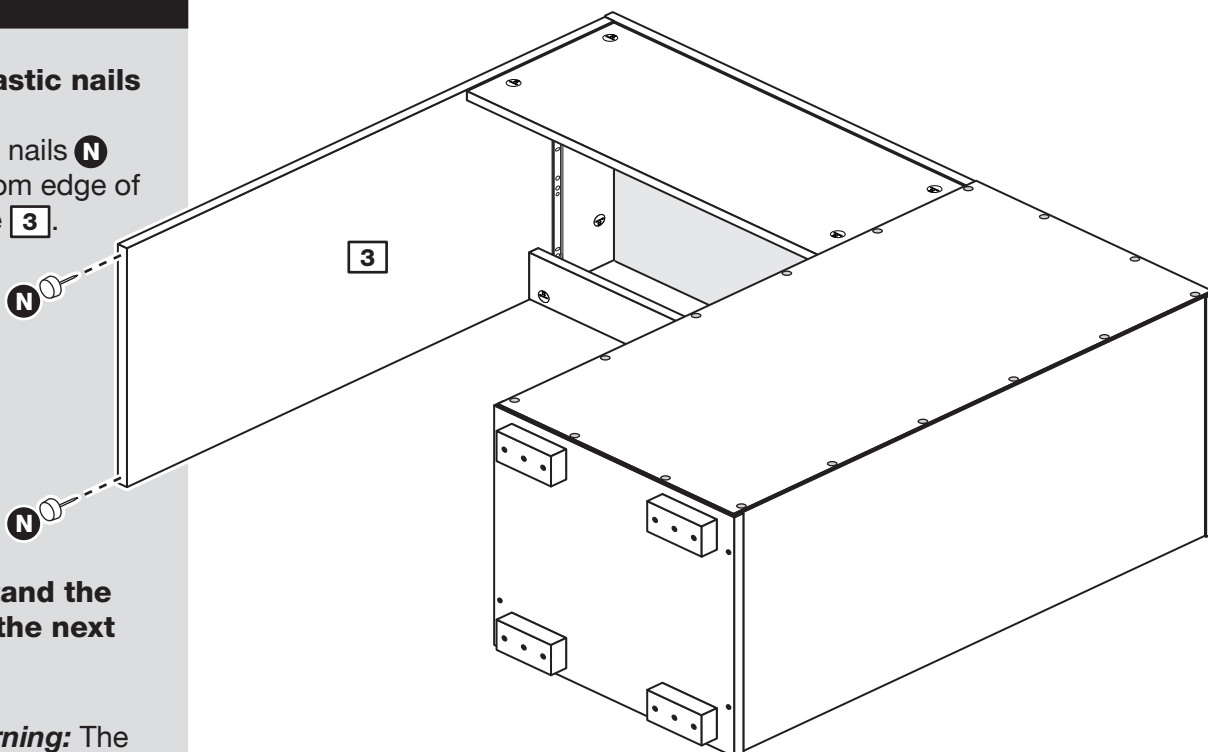


Assembly Instructions

Step 25

Fit the 2 plastic nails

Tap 2 plastic nails **N** into the bottom edge of the right side **3**.



Carefully stand the unit up for the next step.



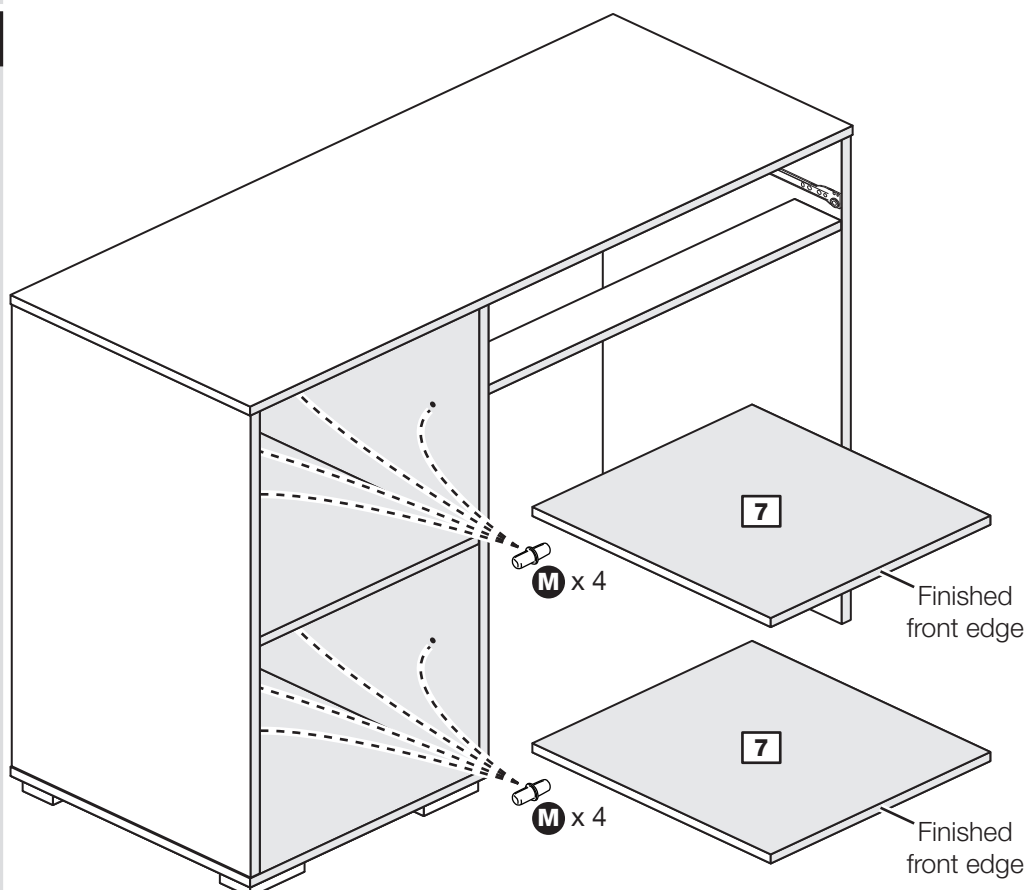
Warning: The unit is heavy. Lift with care.

Step 26

Fit the loose shelves

For each of the 2 loose shelves **7**, insert 4 shelf studs **M**.

Lower the 2 shelves **7** down onto the shelf studs **M**.

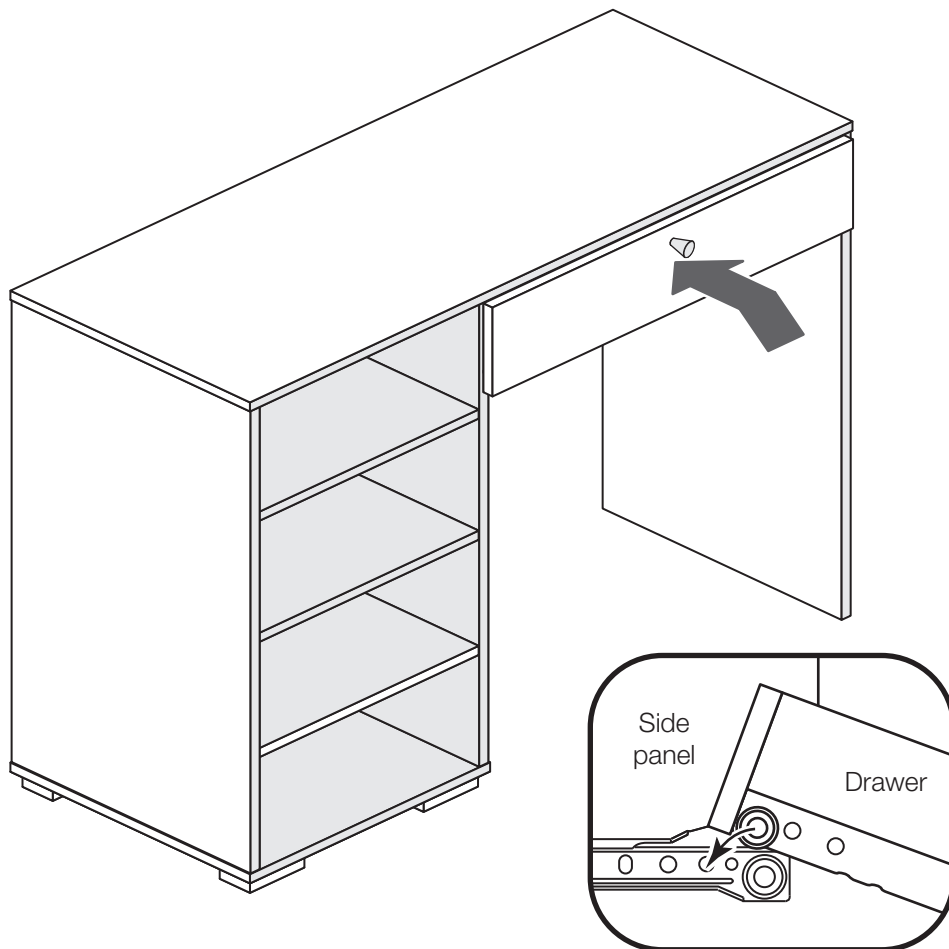


Assembly Instructions

Step 27

Fit the drawer

Slide the wheels of the runners fitted to the drawer, over the wheels of the runners fitted to the side panels and push the drawer into position.



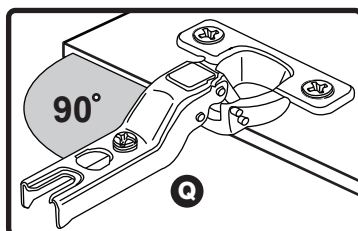
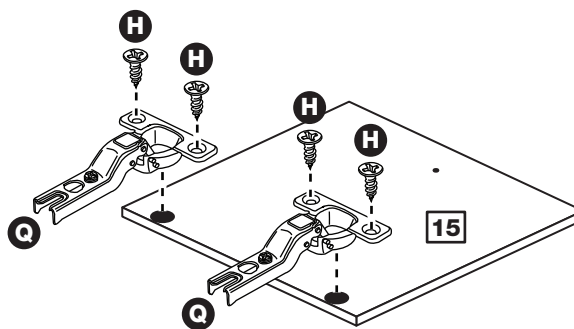
Step 28

Prepare the door

Push fit the 2 hinges **Q** into the door **15**.

Secure each hinge with 2 screws **H**.

Note: Before securing with the screws, make sure that the hinges are positioned at 90 degrees with the edge of the door.



Assembly Instructions

Step 29

Fit the door and its handle

Note: The easiest way to attach the door **15** is to fit the top hinge first, then align and fit the other hinge.

a: Push the hinge **Q** onto the front part of the hinge plate **P**.

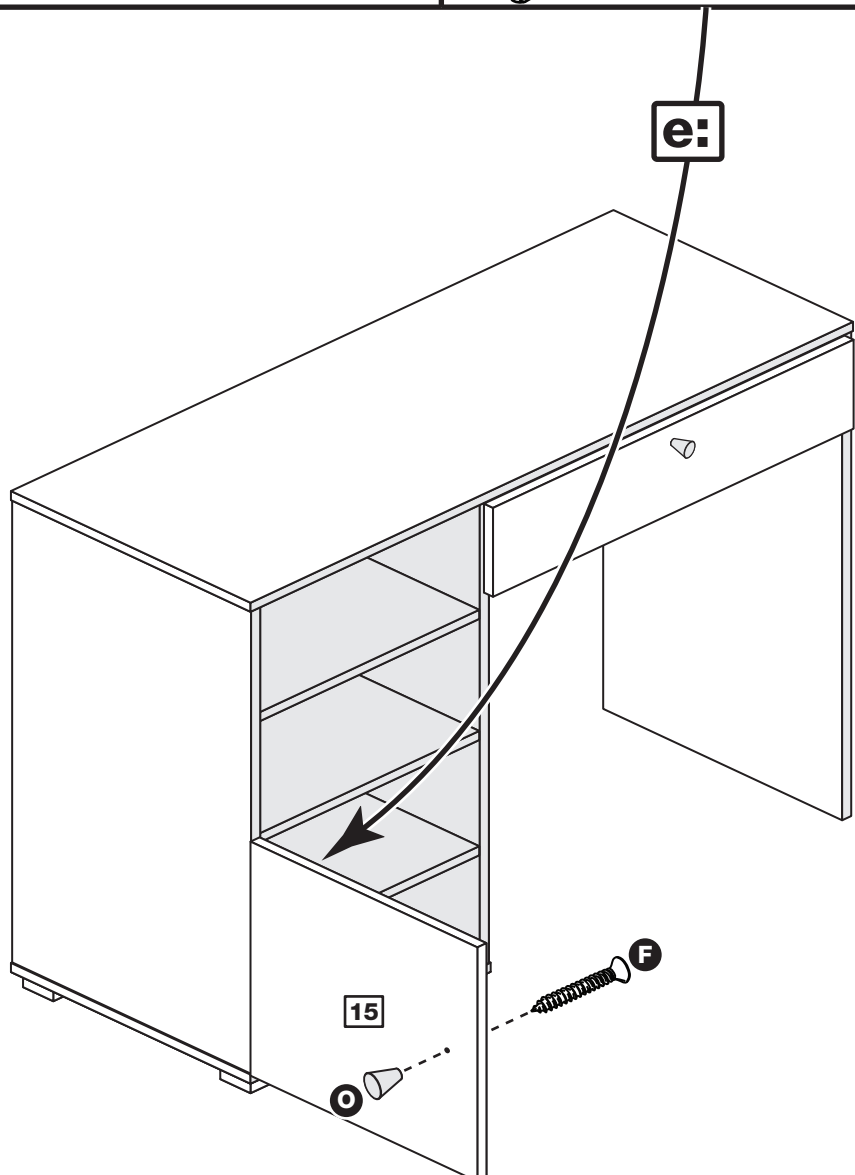
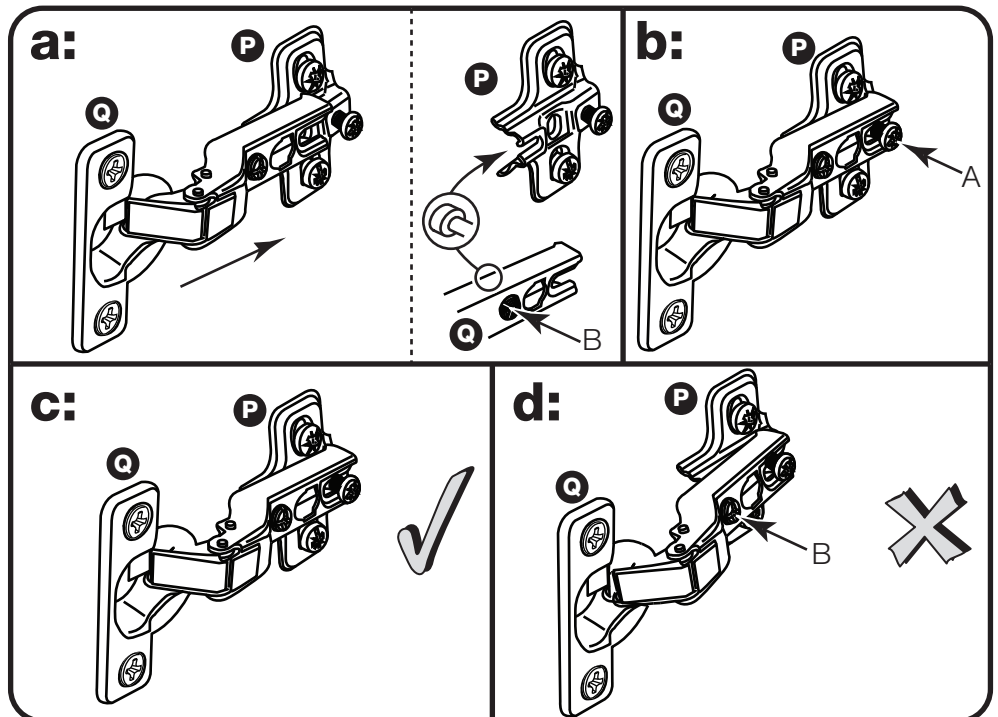
b: Keep the hinge **Q** FLAT against the hinge plate **P** as you slide it across as far as it will go. Tighten screw **A**.

c: The hinge **Q** must be flat against the hinge plate **P** prior to any adjustment.

d: The hinge **Q** must NOT be AT AN ANGLE to the hinge plate **P** when assembled. This would indicate that the recess at the bottom of screw **B** had not located in the slot in the hinge plate and the hinge would not be secure. Remove the hinge from the hinge plate and then re-assemble being careful to follow instructions a-c.

e: Attach a handle **O** to the door **15** using screw **F**.

Note: Do not overtighten screw **F**.



Assembly Instructions

Step 30

Adjust the door if needed

a: Before adjusting the door, use a spirit level to check the top (or base) of the unit is level, front-to-back and side-to-side in the 3 positions shown. Use suitable packing pieces (not supplied) to make the unit level BEFORE making any adjustment to the hinges, as shown.

b: Height adjustment.

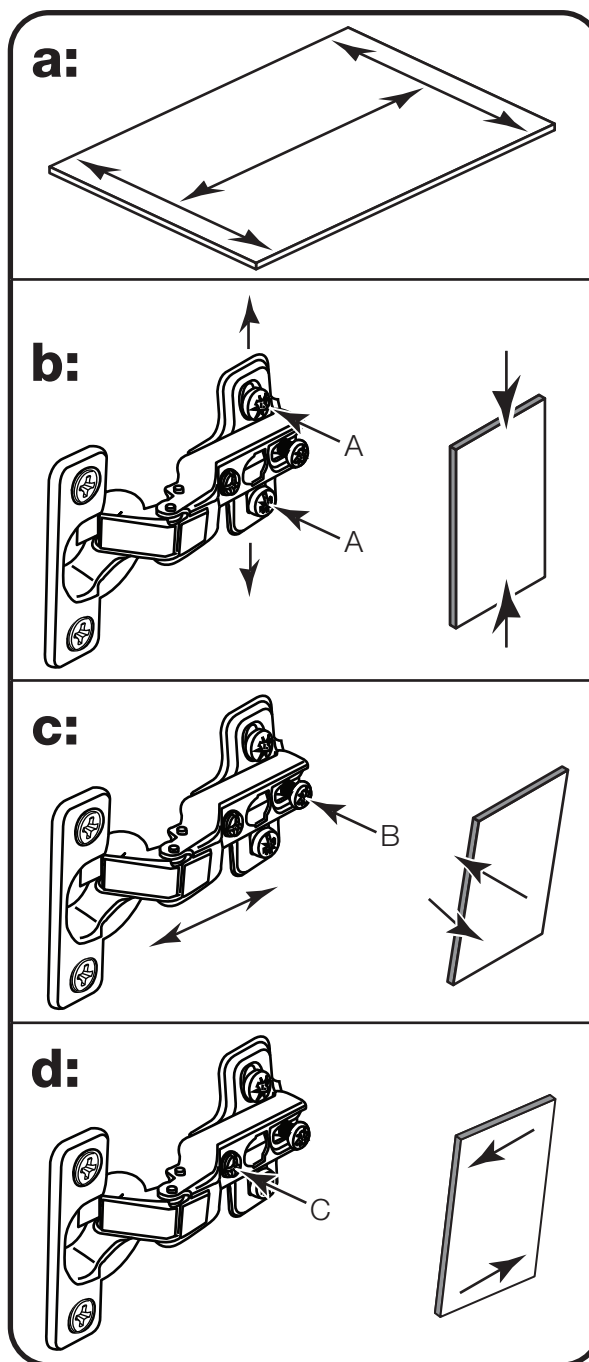
Loosen screws A on hinge plates and move door up or down as required. Retighten screw A.

c: Forward and Back adjustment.

Loosen screw B on hinge plate and move door in or out as required. Retighten screw B.

d: Sideways adjustment.

To move door 'out' loosen screw C. To move door 'in' tighten screw C.



Assembly Instructions

Step 31

Fit the overbalance protector kit

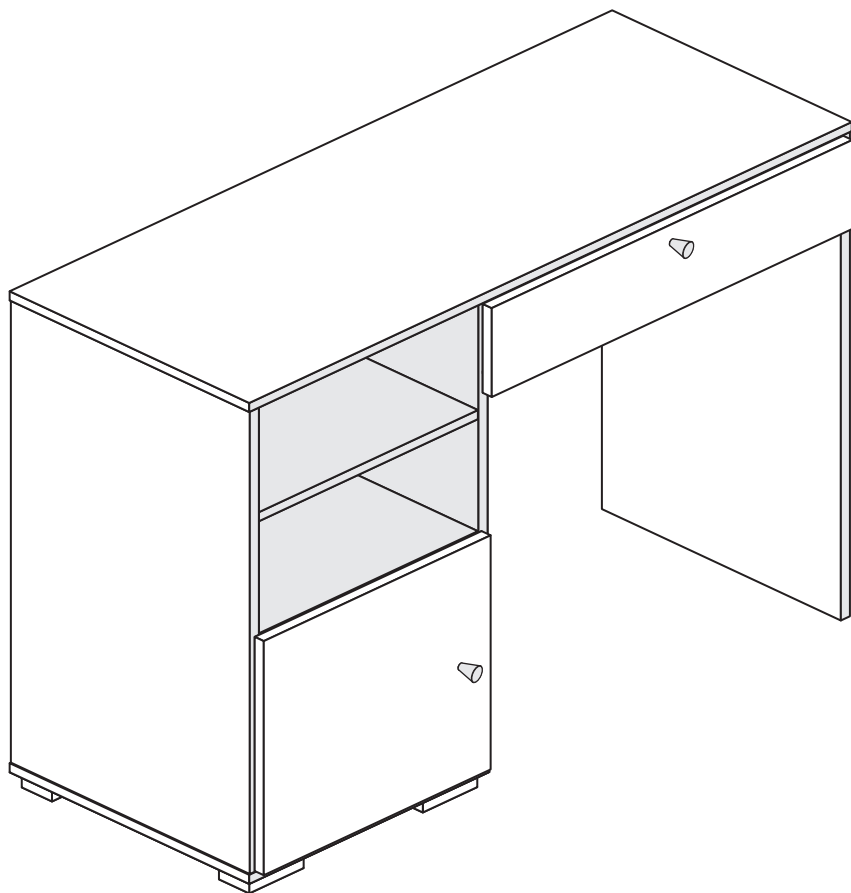
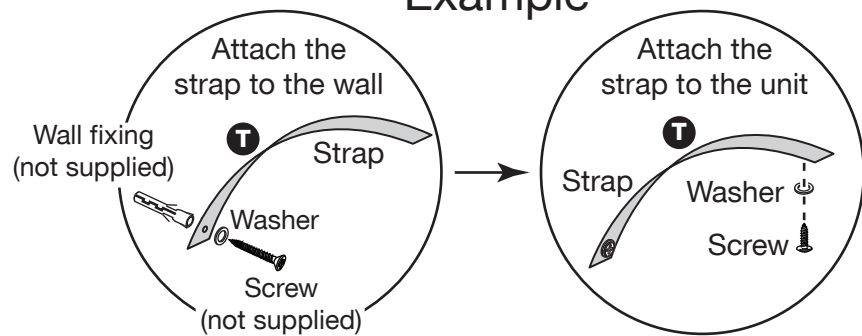
To prevent possible overbalancing we recommend that this unit is secured to a suitable wall by fitting of the overbalance protector kit **T** to the unit, or an alternative fixing method of your choice.

Wall fixings are not supplied as they will need to suit the wall type.

Note: Take care when drilling the wall that you do not drill into any pipes, wires etc. If in doubt, consult an expert.

Assembly is complete

Example



If you need help or have damaged or missing parts, call the Customer Helpline: 03456 400800 and quote the reference numbers on the component pages.

Argos Ltd, 489-499 Avebury Boulevard, Central Milton Keynes, MK9 2NW

