

New Hallingford - 4+4 Drawer Chest

Assembly Instructions - Please keep for future reference

266/5508

258/6625

268/9577

262/1638

245/7510

272 825



Dimensions

Width - 119.5cm

Depth - 40cm

Height - 74.5cm



**MADE IN
BRITAIN**

Important - Please read these instructions fully before starting assembly

If you need help or have damaged or missing parts, call the **Customer Helpline: 0870 112 1928** or email: Help@ClickSpares.co.uk (quoting your original order number)



Safety and Care Advice

Important - Please read these instructions fully before starting assembly

- **Warning:** This unit weighs approximately 41.5kgs. Please lift with care.

- Check you have all the components and tools listed on pages 2 and 3.

- Remove all fittings from the plastic bags and separate them into their groups.

- Keep children and animals away from the work area, small parts could choke if swallowed.

- Parts of the assembly will be easier with 2 people.

- Make sure you have enough space to layout the parts before starting.

- Do not stand or put weight on the product, this could cause damage.

- Assemble the item as close to its final position (in the same room) as possible.

- Assemble on a soft level surface to avoid damaging the unit or your floor (use opened out unit carton).



- We do not recommend the use of power drill/drivers **for inserting screws**, as this could damage the unit. Only use hand screwdrivers.

- **Safety note:** If there is any chance of this unit being pulled over by children etc. it is recommended that the unit is secured to a wall using suitable fixings (not supplied).

- Dispose of all packaging carefully and responsibly.

Care and maintenance

- Only clean using a damp cloth and mild detergent, do not use bleach or abrasive cleaners.

- From time to time check that there are no loose screws on this unit.

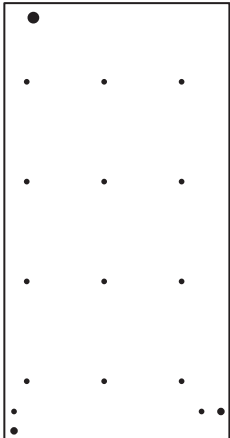
- This product should not be discarded with household waste. Take to your local authority waste disposal centre.

Note: If required the next page can be cut out and used as reference throughout the assembly. Keep this page with these instructions for future reference.

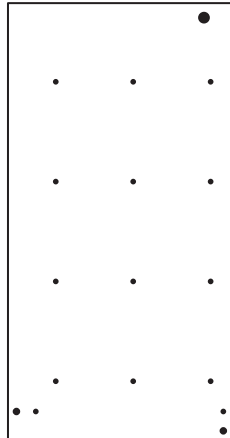
Components - Panels

If you have damaged or missing components, call the **Customer Helpline: 0870 112 1928** or email: **Help@ClickSpares.co.uk** (quoting your original order number and the reference numbers below)

Please check you have all the panels listed below



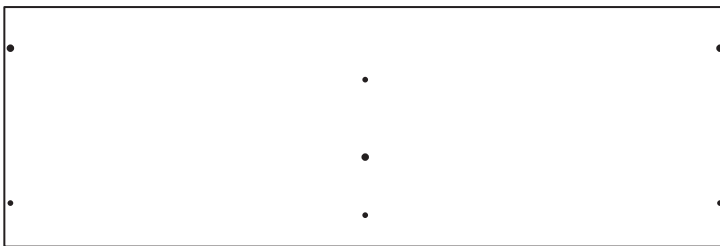
1 Left Side (D2312A)
(721 x 372mm)



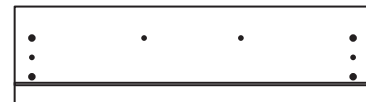
2 Right Side (D2313A)
(721 x 372mm)



3 Upright (D2323A)
(655 x 282mm)



4 Top (D2322A)
(1193 x 396mm)



5 Drawer Front (D2324A)
(588 x 162mm) x 8



6 Rail (D2325A)
(1158 x 66mm) x 2



7 Drawer Base (T529-367)
(529 x 367mm) x 8



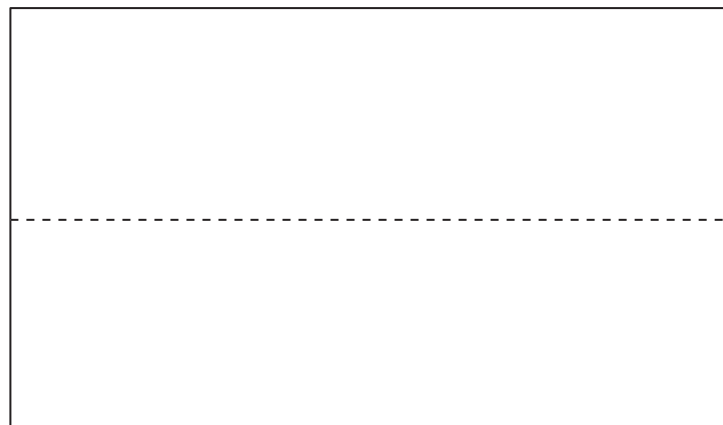
8 Left Drawer Side (W370-124LH)
(370 x 124mm) x 8



9 Right Drawer Side (W370-124RH)
(370 x 124mm) x 8



10 Drawer Back (W518-124)
(518 x 124mm) x 8



11 Back (X1184-700)
(1184 x 700mm)

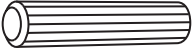
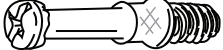



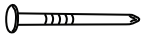







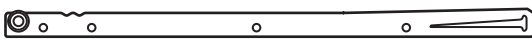
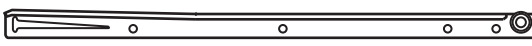
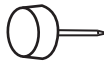


Components - Fittings

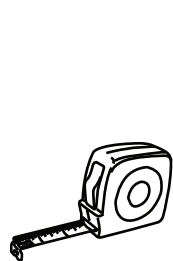
If you have damaged or missing components, call the **Customer Helpline: 0870 112 1928** or **email: Help@ClickSpares.co.uk** (quoting your original order number and the reference numbers below)

Please check you have all the fittings listed below

Note: The quantities below are the correct amount to complete the assembly. In some cases more fittings may be supplied than are required.

<p>A </p> <p>Wooden dowel (F22) x 7</p>	<p>B </p> <p>Metal dowel (F901) x 24</p>	<p>C </p> <p>Small locking nut (F3) x 16</p>
<p>D </p> <p>Large locking nut (F900) x 8</p>	<p>E </p> <p>Knock-in Peg (F171GY) x 32</p>	<p>F </p> <p>Nail (F51) x 26</p>
<p>G </p> <p>19mm Screw (F461) x 16</p>	<p>H </p> <p>13mm Screw (F52) x 48</p>	<p>I </p> <p>13mm Screw (F63) x 48</p>
<p>J </p> <p>Handle (F278) x 8</p>	<p>K a  L Runner (F159) x 8 ← 350mm long →</p> <p>K b  R Runner (F160) x 8</p>	
<p>L </p> <p>Wedgifix (F639) x 32</p>	<p>K c  L Runner (F161) x 8</p> <p>K d  R Runner (F162) x 8</p>	
<p>M </p> <p>Plastic Nail (F91) x 5</p>		

Tools required



Rule



Cross-head screwdriver



Scissors



Hammer

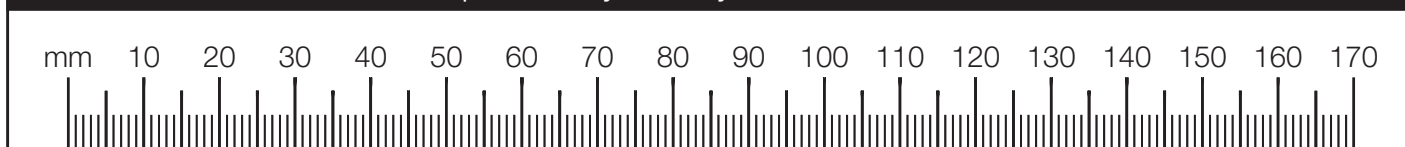


Eye protection (when using a hammer or drill)



Electric drill (do not use for fitting screws)

Ruler - Use this ruler to help correctly identify the screws



Assembly Instructions

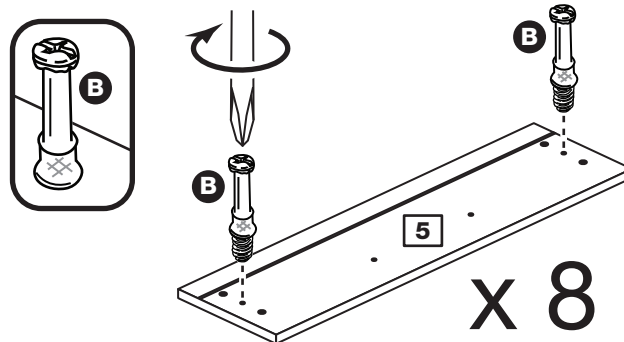
If you have damaged or missing components, call the Customer Helpline: 0870 112 1928 or email: Help@ClickSpares.co.uk (quoting your original order number and the reference numbers below)

Step 1

Prepare the drawer fronts

Screw 2 metal dowels **B** into the holes shown on the back of each drawer front **5**.

Note: Tighten the metal dowels up fully against the panels.

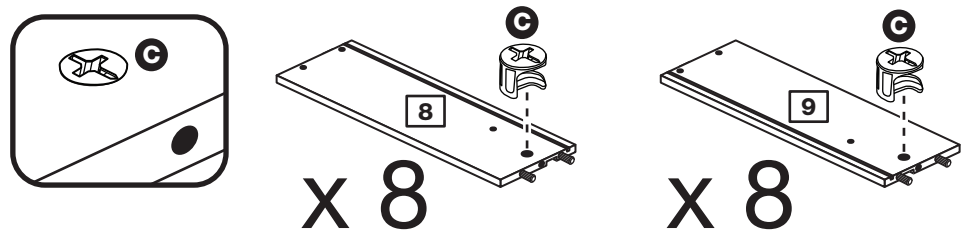


Step 2

Prepare the drawer sides

Insert a small locking nut **C** into the hole shown on the left drawer side **8** and right drawer side **9**.

Note: The arrow on the locking nut **must** point towards the hole in the edge of the panel.



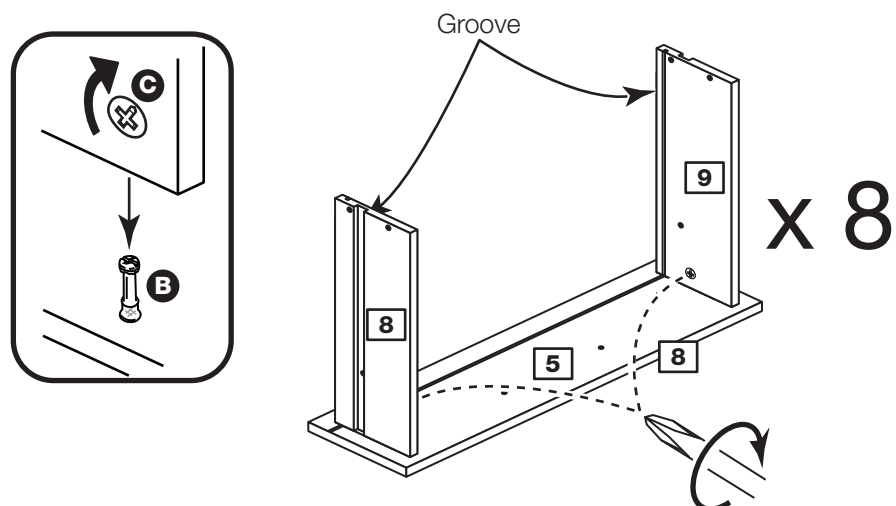
Step 3

Attach the drawer sides to the drawer front

Push the left drawer side **8** and right drawer side **9** onto the back of the drawer front **5**.

Turn the small locking nuts **C** on the left drawer side **8** and right drawer side **9**.

Note: Turn the locking nuts **C** clockwise to secure panels - more than 1/2 a turn.



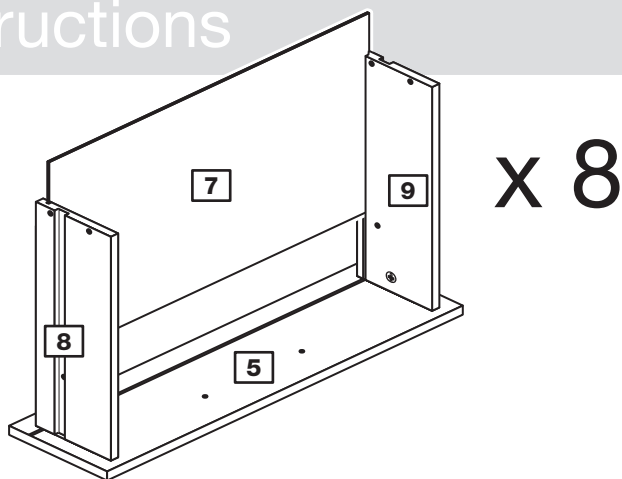
Note: The locking nuts can be on either surface of the drawer sides. Make sure that the groove is on the inside, as shown.

Assembly Instructions

Step 4

Fit the drawer base

Slide the drawer base **7** down the grooves in the drawer sides **8** and **9** and down into the groove in the drawer front **5**.



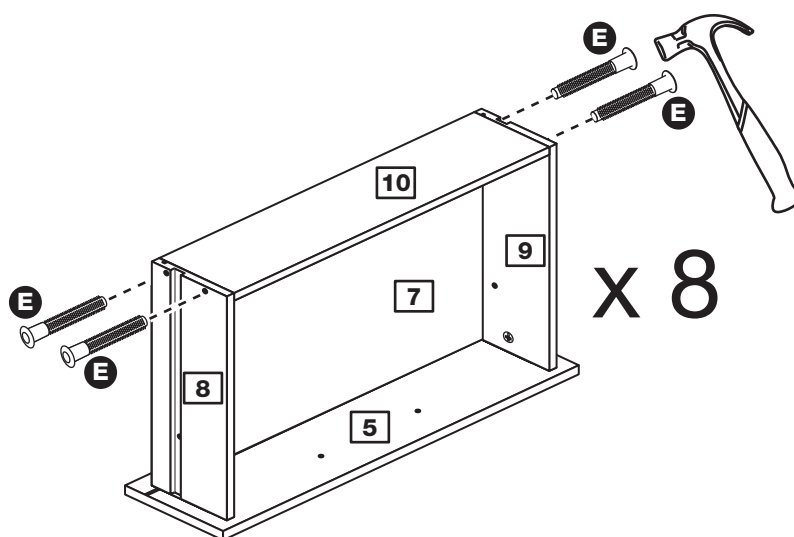
Step 5

Fit the drawer back

Fit the drawer back **10** between the drawer sides **8** and **9**.

Make sure that the drawer base **7** fits into the groove in the drawer back **10**.

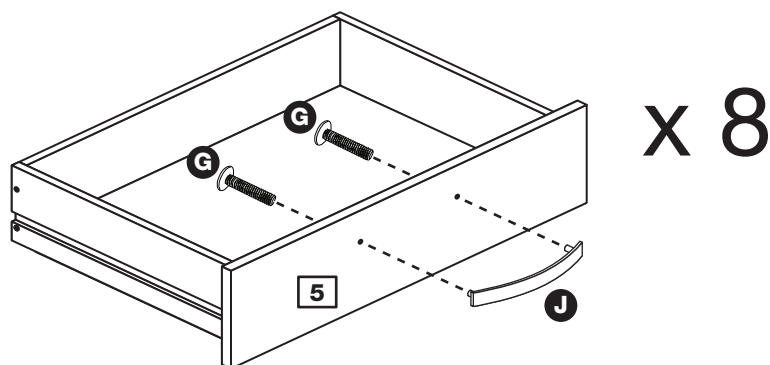
Hold the drawer back **10** in position and tap the knock-in pegs **E** through the holes in the drawer sides **8** and **9**.



Step 6

Attach the handles

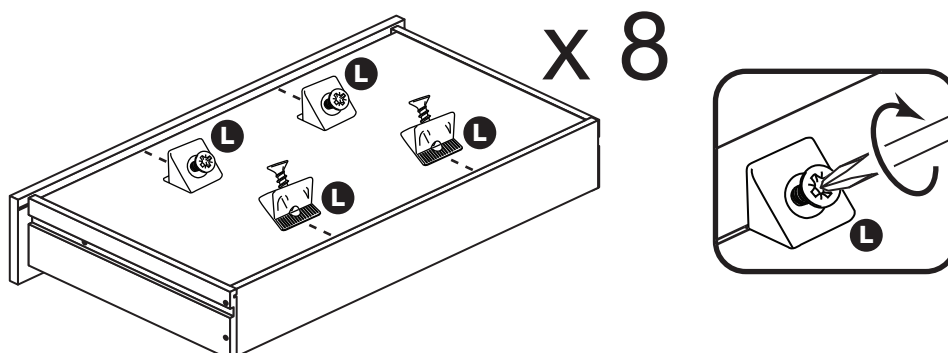
Attach a handle **J** to each drawer front **5** using 2 screws **G**.



Step 7

Fit the wedgifixes

Turn the drawer assemblies over and slide 4 wedgifixes **L** into the front and back grooves, as shown, and tighten up the screws.



Assembly Instructions

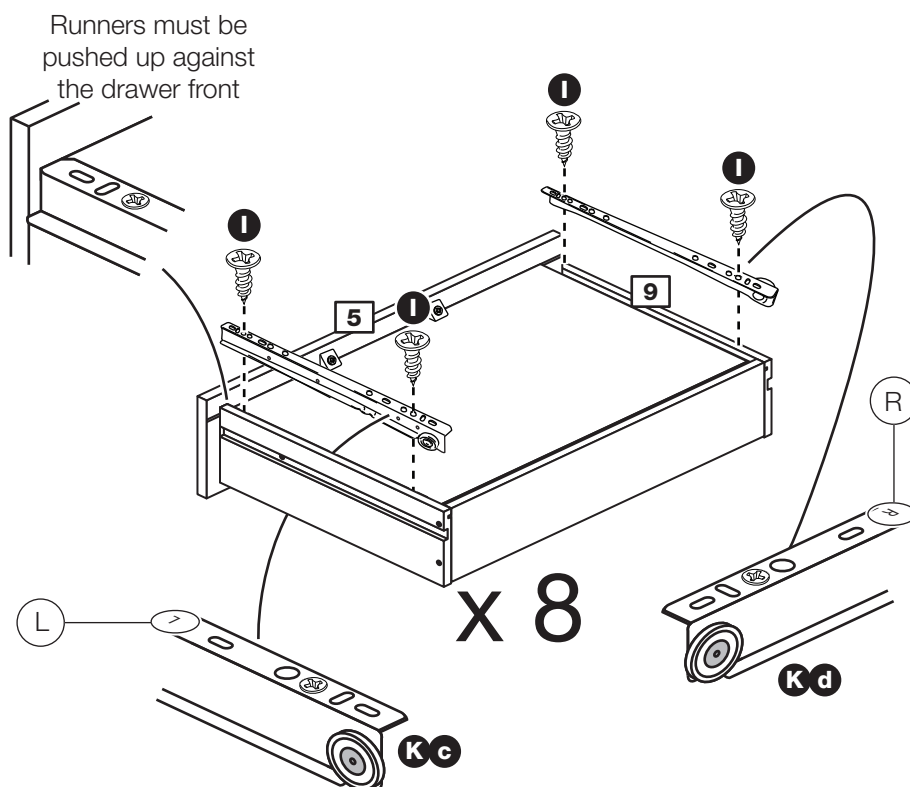
Step 8

Fit runners to the drawers

Fit runner **Kd**, marked with 'R', to the bottom edge of the right drawer side **9**, as shown, making sure that it is pushed up against the back of the drawer front **5**.

Use a bradawl to mark the fixing positions, then secure with 2 screws **I**.

Fit runner **Kc**, marked 'L', to the bottom edge of the left drawer side **8** using the same method.



Step 9

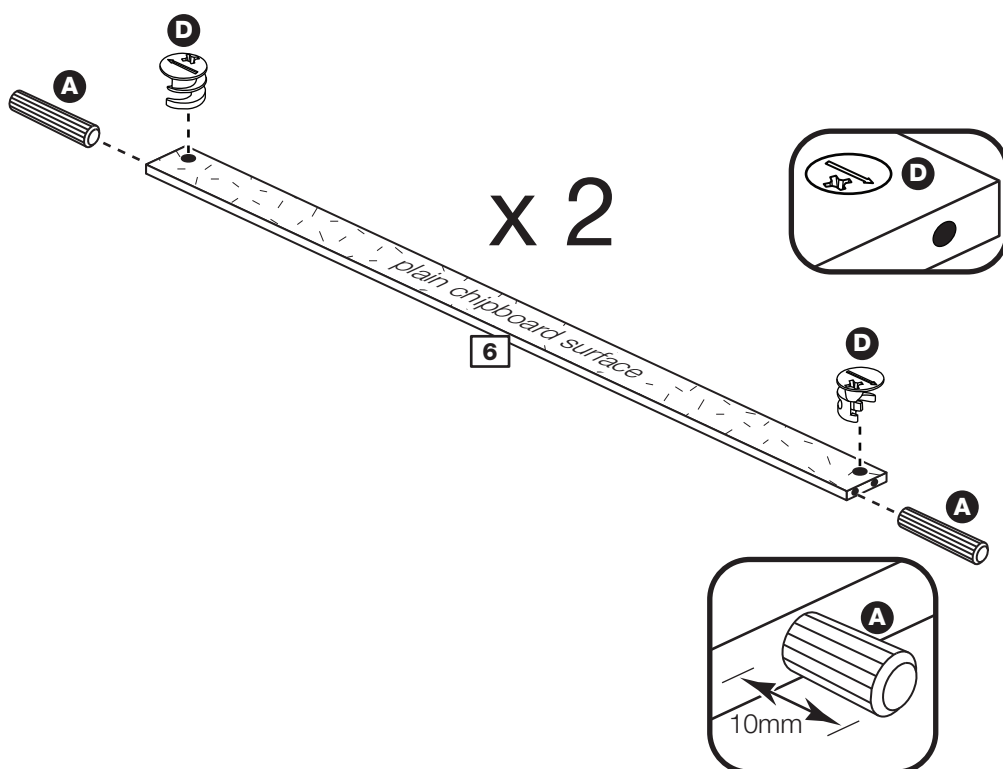
Prepare the 2 rails

Tap 2 wooden dowels **A** into each rail **6**.

Note: Wooden dowels **must not** stick out from the edge by more than 10mm or they may damage other panels.

Insert 2 large locking nuts **D** into each rail **6**.

Note: The arrow on the locking nut **must** point towards the hole in the edge of the panel.



Assembly Instructions

Step 10

Prepare the left side

a: Fit 4 runners **K a** to the left side **1**.

The 1st screw **H** uses the 2nd hole in from the front of the runner.

The 2nd and 3rd screws **H** use the holes that line up with the other panel holes.

b: Fit a screw **I** into the 2nd hole in at the top of the runners **K a**.

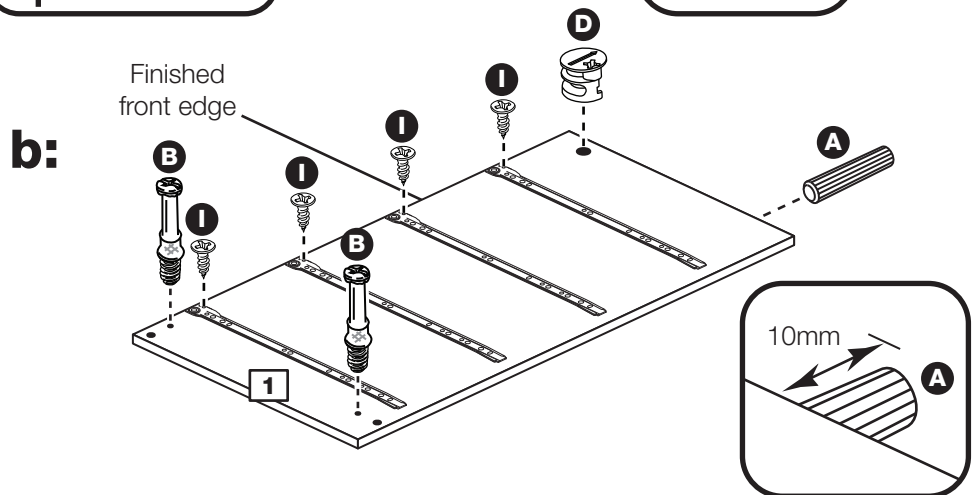
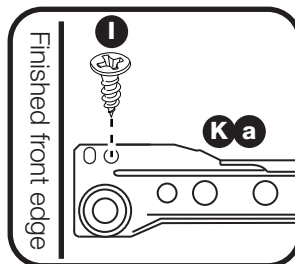
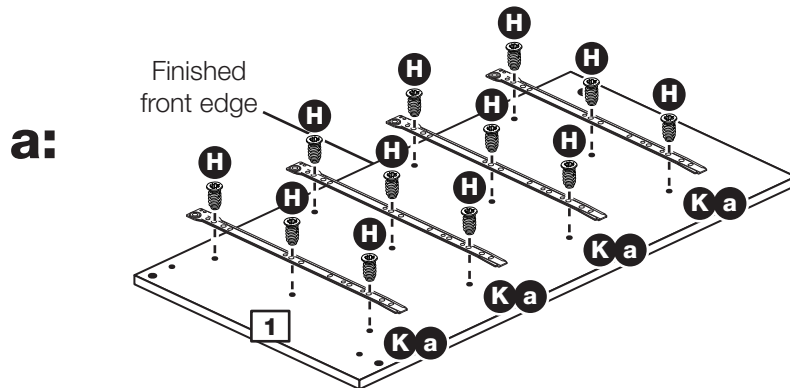
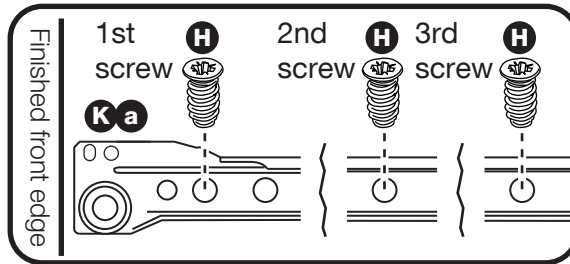
Screw 2 metal dowels **B** into the left side **1**.

Insert a large locking nut **D** into the left side **1**.

Note: The arrow on the locking nut **must** point towards the hole in the edge of the panel.

Tap a wooden dowel **A** into the left side **1**.

Note: Wooden dowels **must not** stick out from the edge by more than 10mm or they may damage other panels.



Assembly Instructions

Step 11

Prepare the right side

a: Fit 4 runners **K b** to the right side **2**.

The 1st screw **H** uses the 2nd hole in from the front of the runner.

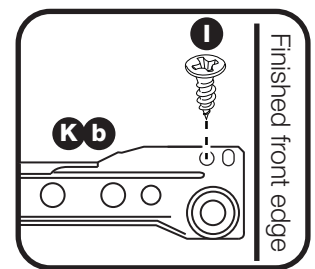
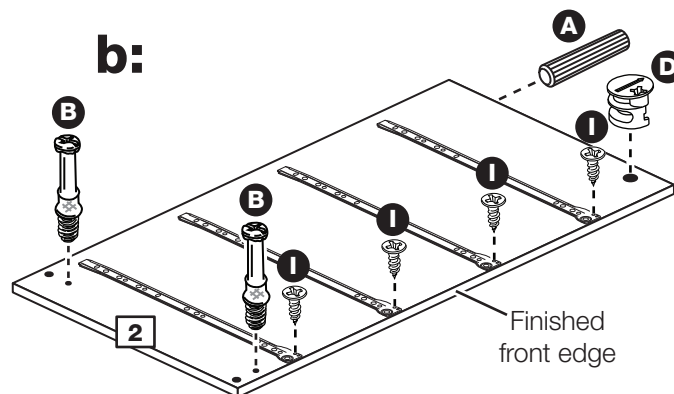
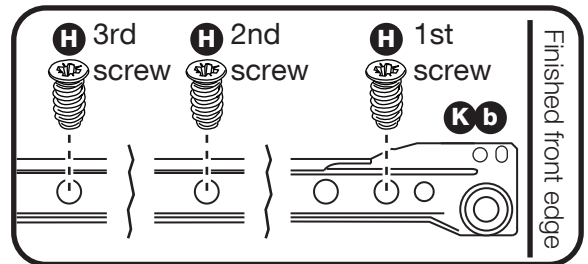
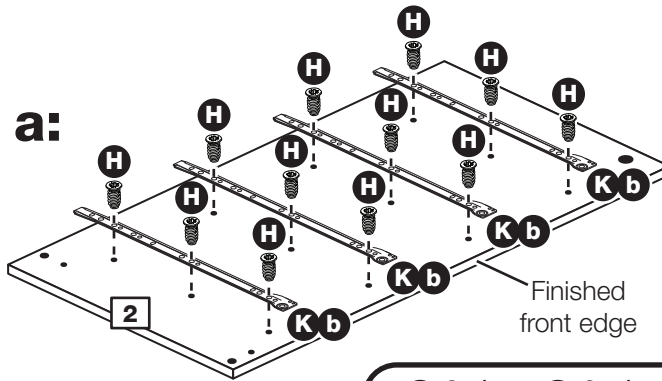
The 2nd and 3rd screws **H** use the holes that line up with the other panel holes.

b: Fit a screw **I** into the 2nd hole in at the top of the runner **K b**.

Screw 2 metal dowels **B** into the right side **2**.

Insert a large locking nut **D** into the right side **2**.

Tap a wooden dowel **A** into the right side **2**.



Assembly Instructions

Step 12

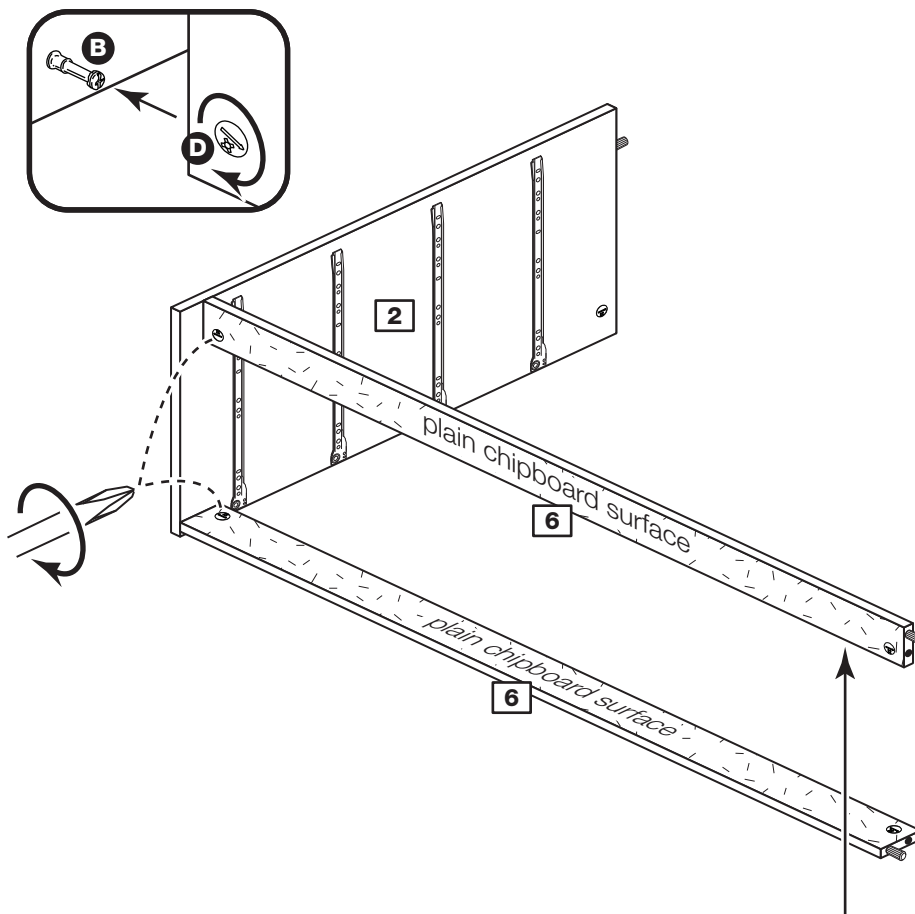
Join the right side and rails

2 people are needed here

Push the 2 rails **6** onto the right side **2**.

Use a screwdriver to tighten the 2 large locking nuts **D** fitted to the rails **6**.

Note: Turn the large locking nuts **D** as far as they will go - more than 1/2 a turn.



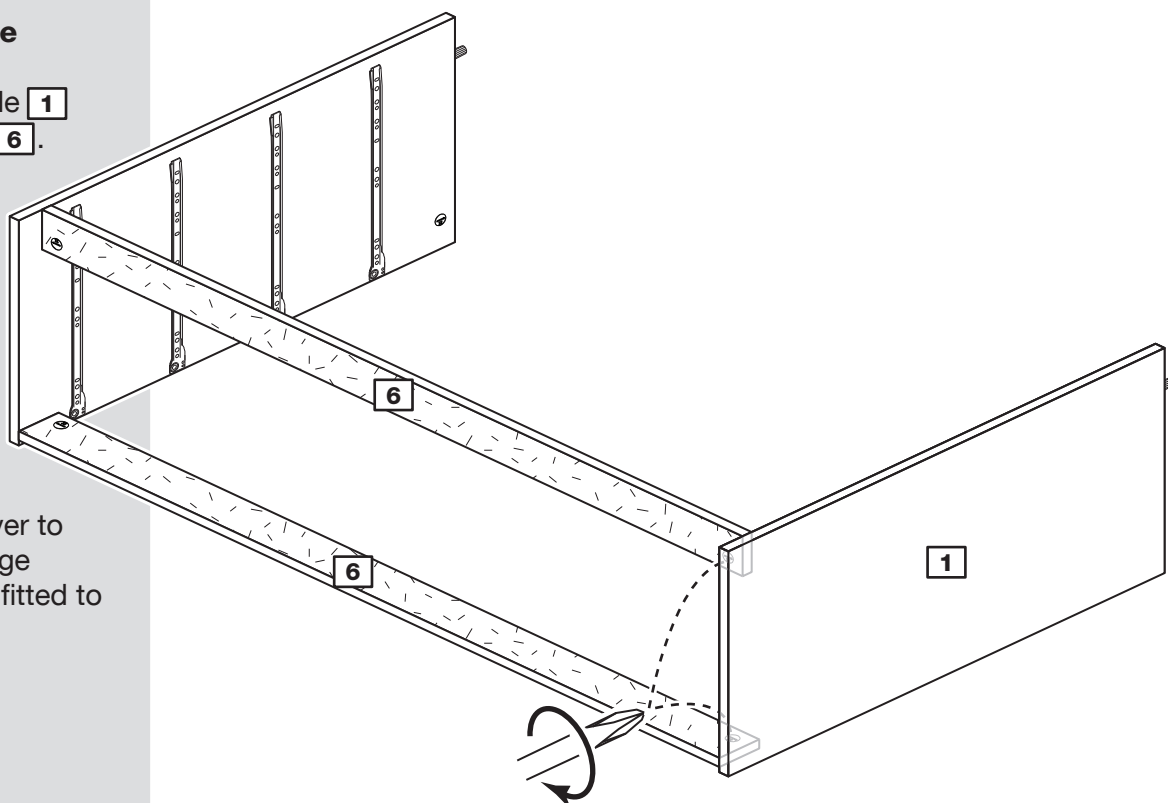
Note: Support this rail until the left side has been fitted in the next step.

Step 13

Fit the left side

Push the left side **1** onto the 2 rails **6**.

Use a screwdriver to tighten the 2 large locking nuts **D** fitted to the rails **6**.



Assembly Instructions

Step 14

Prepare the first surface of the upright

Note: The colour of the upright may differ from the main unit colour.

a: Fit 4 runners **K b** to the upright **3**.

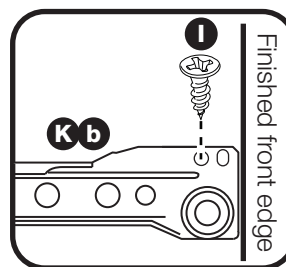
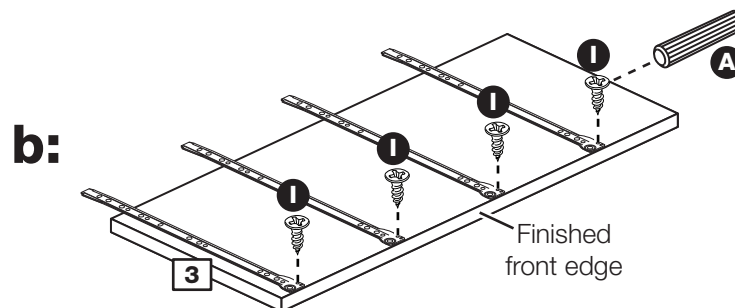
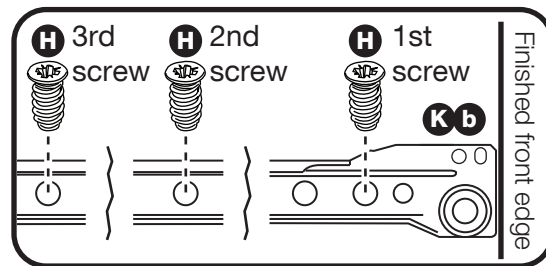
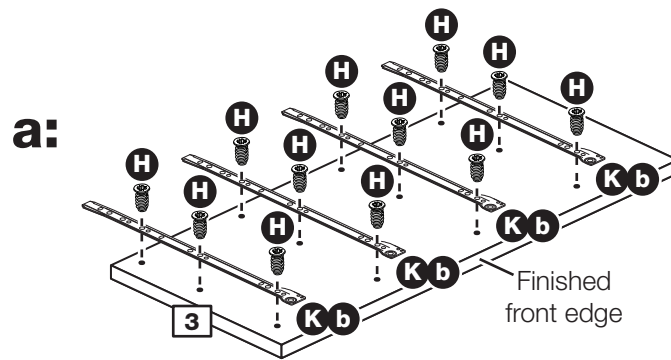
The 1st screw **H** uses the 2nd hole in from the front of the runner.

The 2nd and 3rd screws **H** use the holes that line up with the other panel holes.

b: Fit a screw **I** into the 2nd hole in at the top of the runner **K b**.

Tap a wooden dowel **A** into the upright **3**.

Turn the upright over for the next step



Turn the divider over

Assembly Instructions

Step 15

Prepare the other surface of the upright

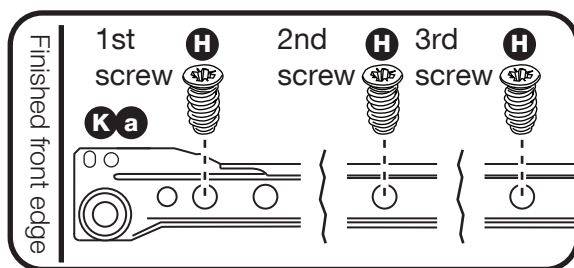
a: Fit 4 runners **K a** to the upright **3**.

The 1st screw **H** uses the 2nd hole from the front of the runner.

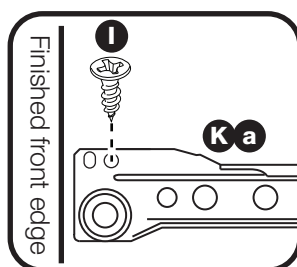
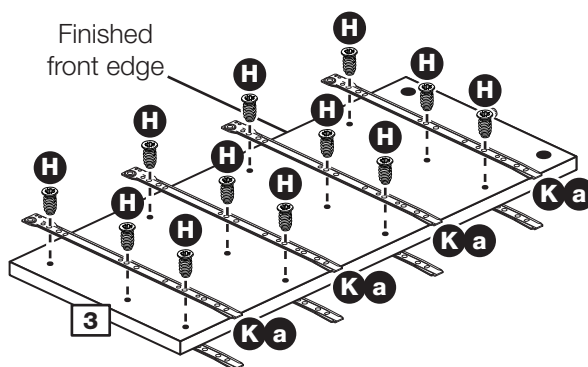
The 2nd and 3rd screws **H** use the holes that line up with the other panel holes.

b: Fit a screw **I** into the 2nd hole in at the top of the runner **K a**.

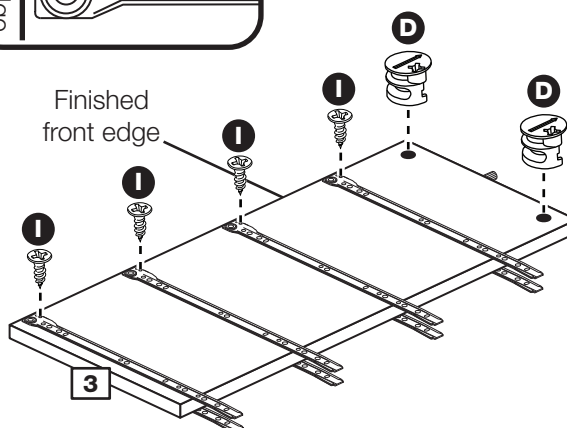
Insert 2 large locking nuts **D** into the upright **3**.



a:



b:

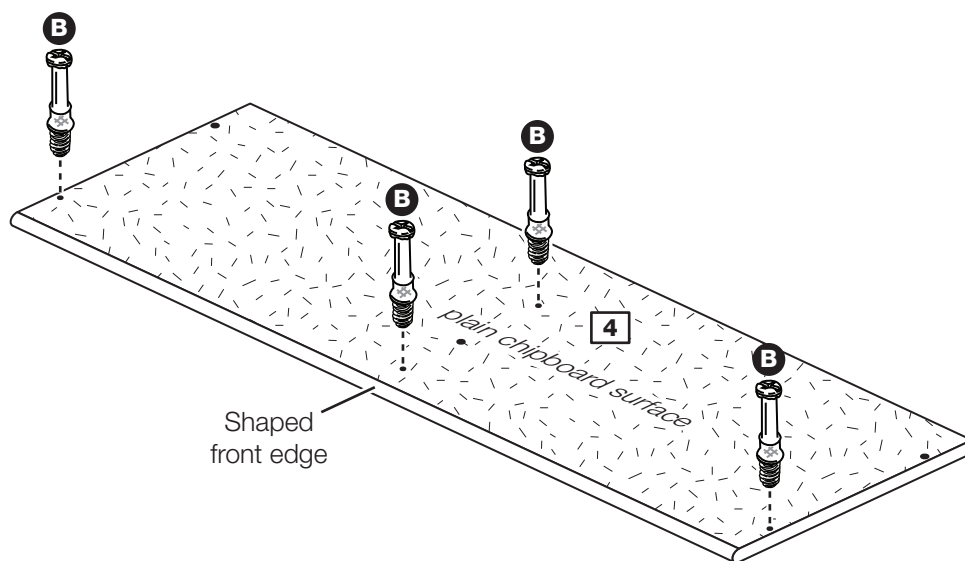


Assembly Instructions

Step 16

Prepare the top

Screw 4 metal dowels **B** into the top **4**.

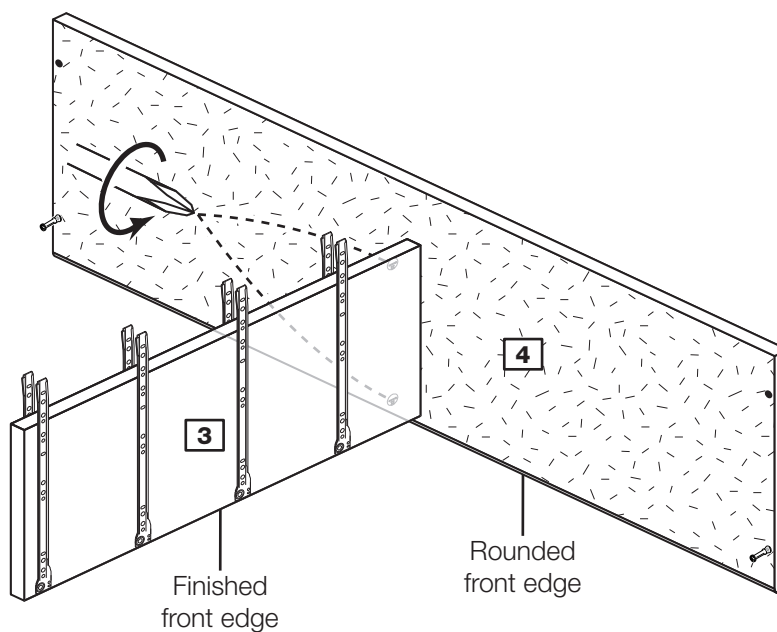


Step 17

Join the upright and top

Push the upright **3** onto the top **4**.

Use a screwdriver to tighten the 2 large locking nuts **D** fitted to the upright **3**.



Assembly Instructions

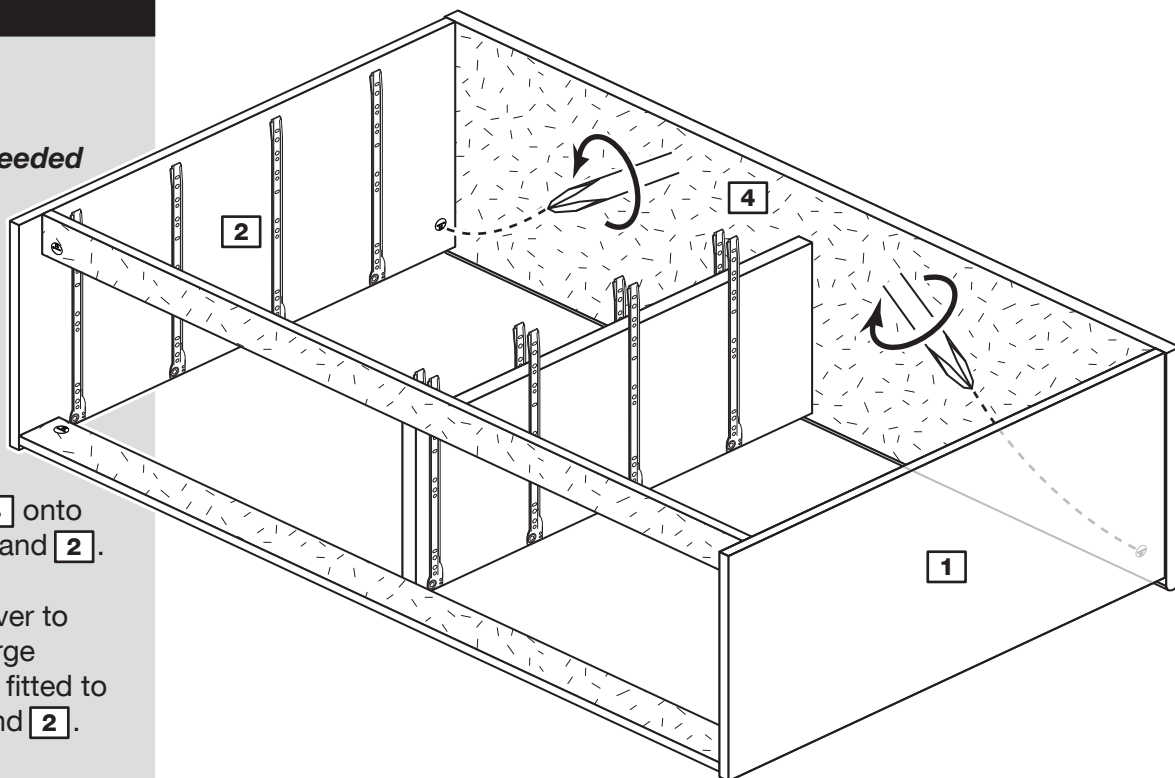
Step 18

Fit the top

2 people are needed here

Push the top **4** onto the 2 sides **1** and **2**.

Use a screwdriver to tighten the 2 large locking nuts **D** fitted to the sides **1** and **2**.



Step 19

Fit the back

a: Square up the unit by making sure that measurement **x to x** equals **y to y**.

b: Place the back **11** onto the unit.

Nail **F** around the outside edges of the back **11**.

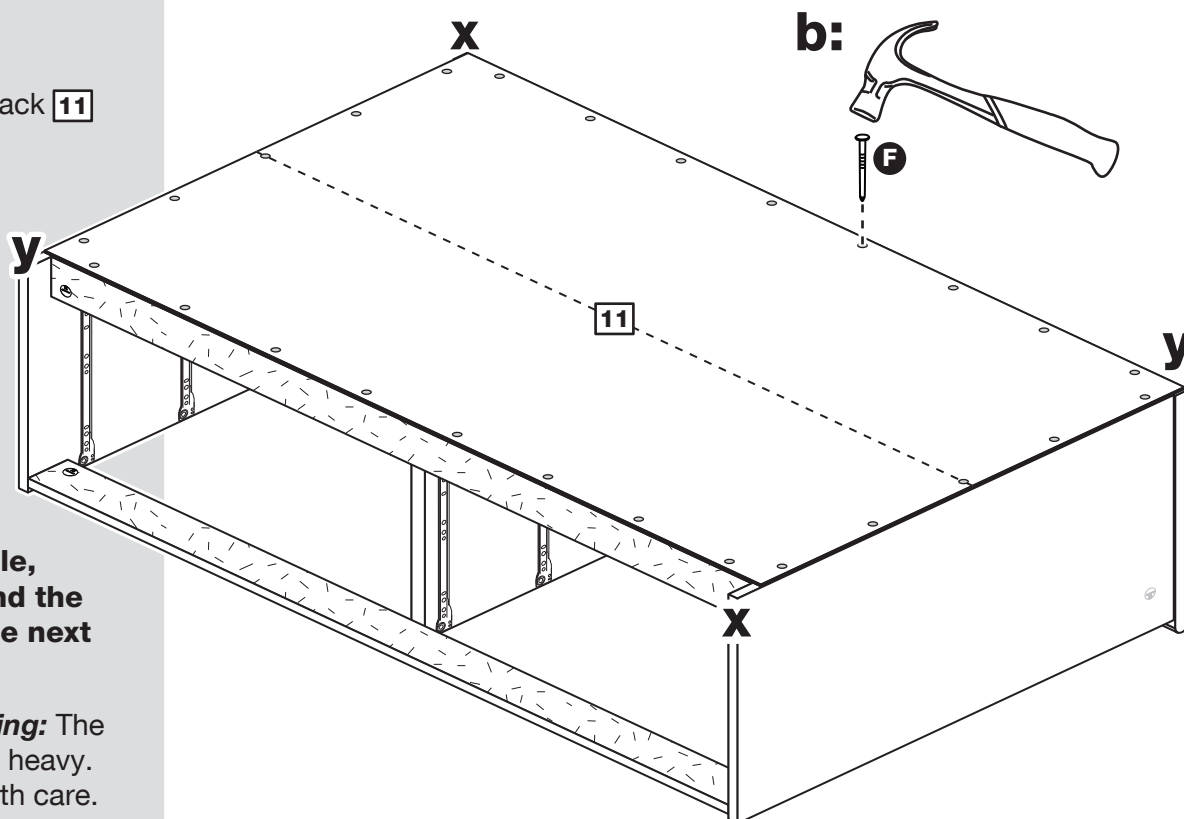
Note: Nails should be spaced about 150mm apart.

Using 2 people, carefully stand the unit up for the next step.



Warning: The unit is heavy. Lift with care.

a: The measurement from top corner X to bottom corner X must be equal to the measurement from top corner Y to bottom corner Y



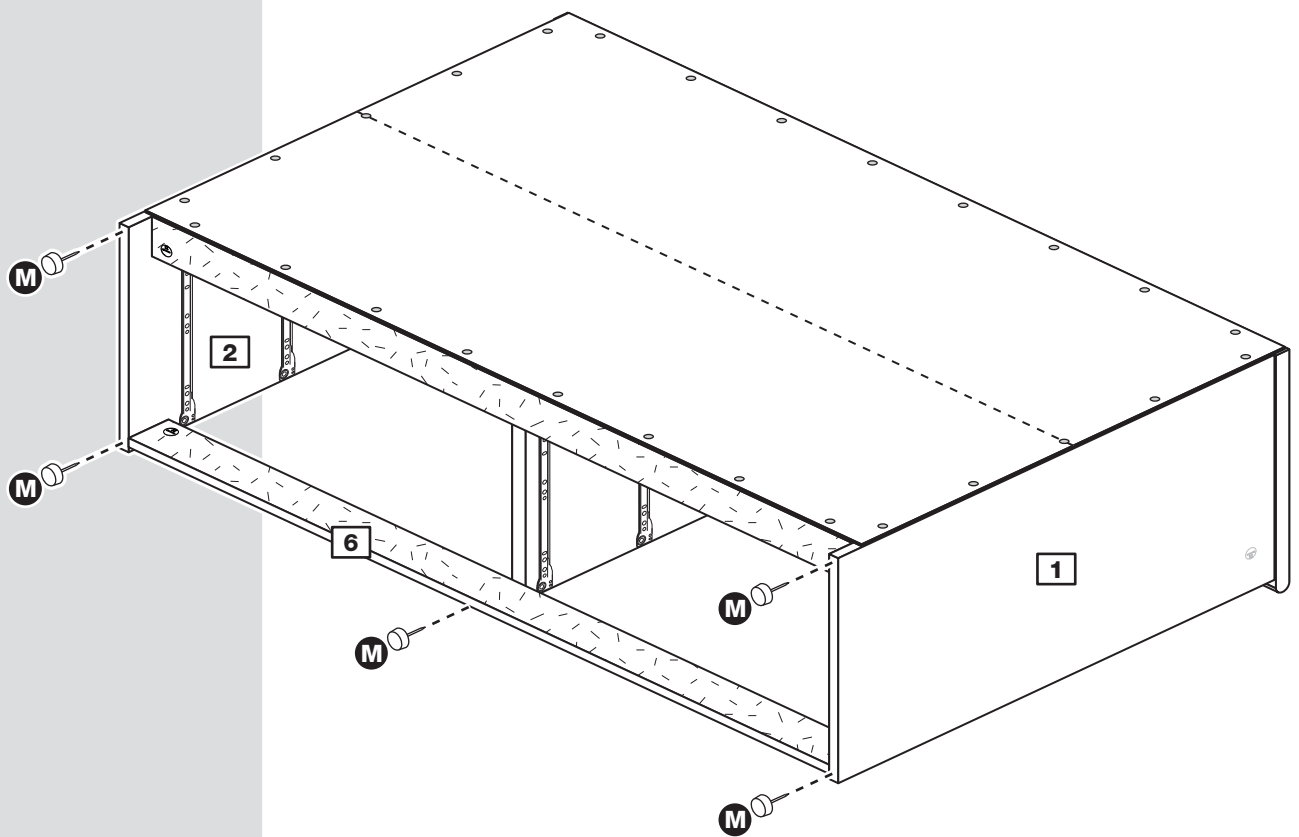
Assembly Instructions

Step 20

Fit the 4 plastic nails

Tap 2 plastic nails **M** into the bottom edge of each of the sides **1** and **2**.

Tap 1 plastic nail **M** into the bottom edge of the rail **6** in the centre.



Assembly Instructions

Step 21

Fit the drawers

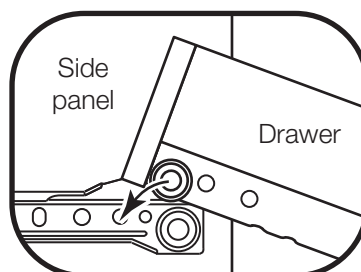
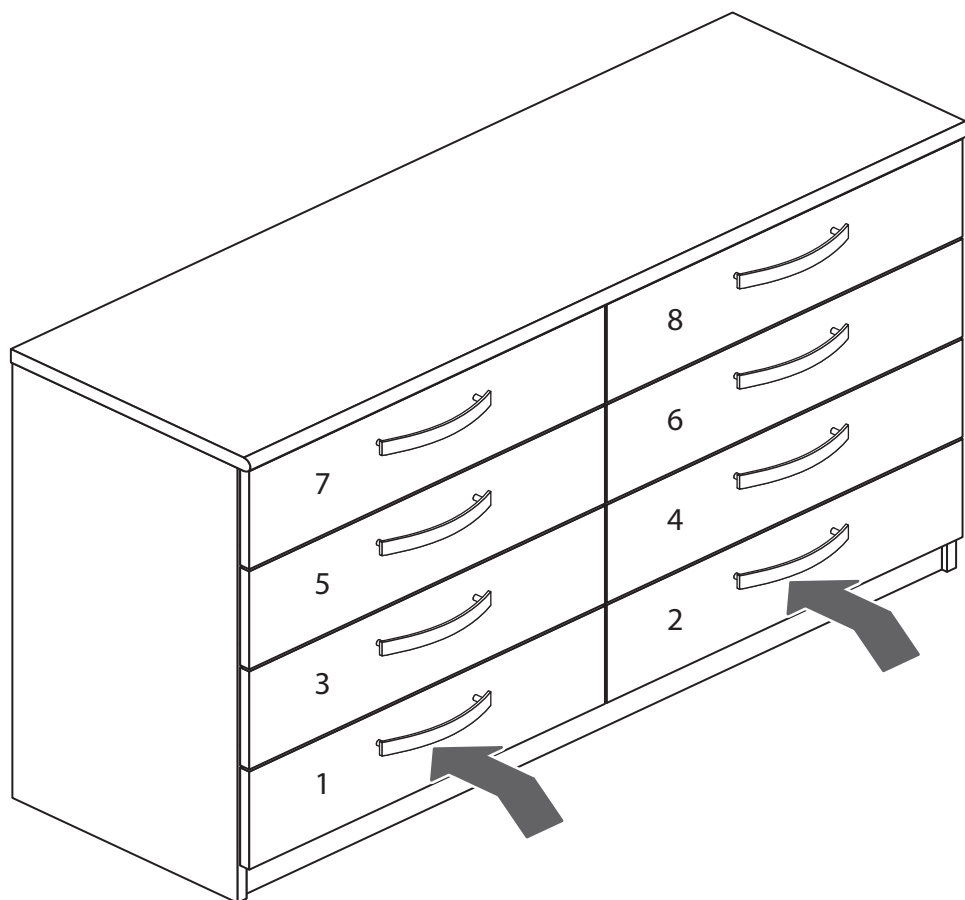
Slide the wheels of the runners fitted to the drawers, over the wheels of the runners fitted to the side panels and push the drawers into position.

Note: We recommend that you fit the drawers in the sequence shown on the diagram.

Assembly is complete



Warning: The unit is heavy. Lift with care.



If you need help or have damaged or missing parts, call the **Customer Helpline: 0870 112 1928** or email: **Help@ClickSpares.co.uk** (quoting your original order number and the reference numbers on the component pages)
Argos Ltd, 489-499 Avebury Boulevard, Central Milton Keynes, MK9 2NW

New Hallingford - 4+4 Drawer Chest

Assembly Instructions - Please keep for future reference

266/5508

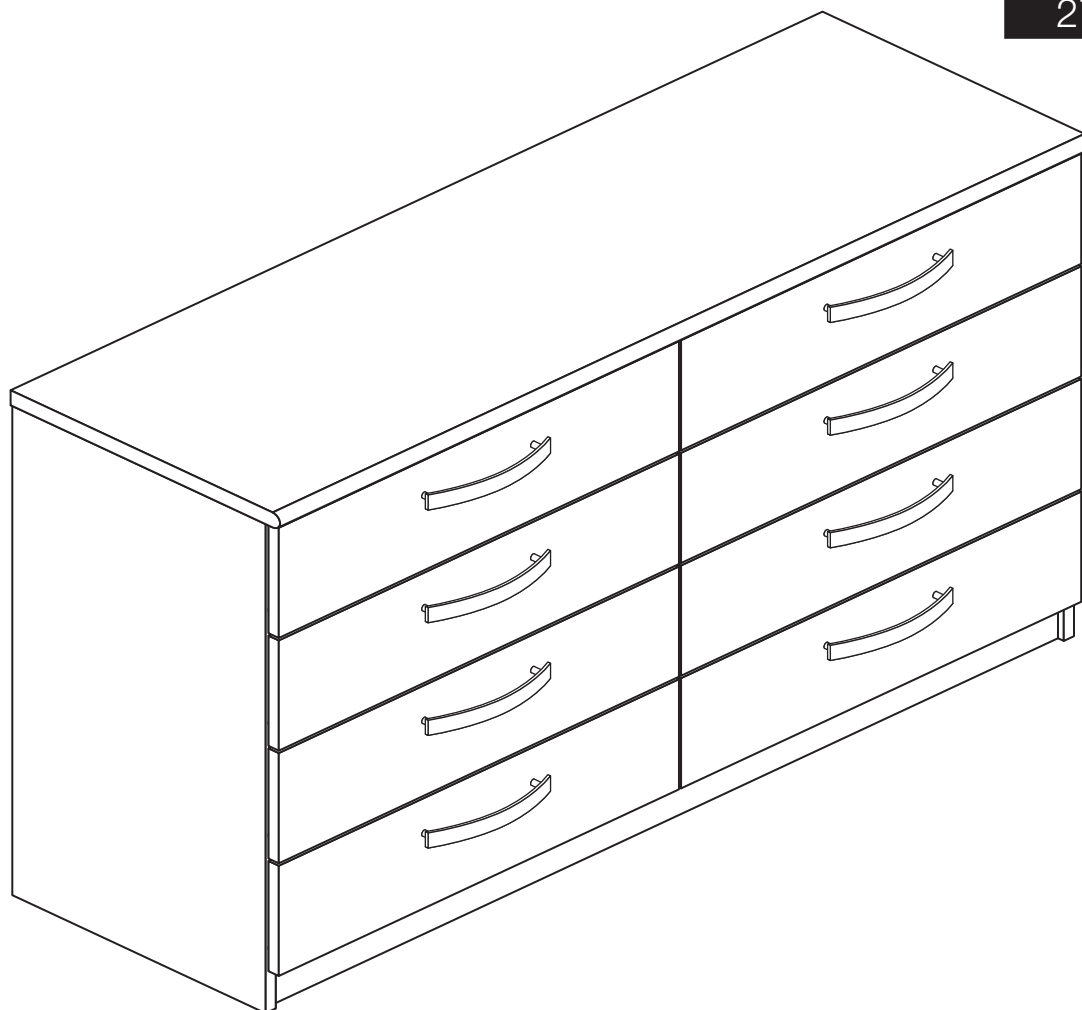
258/6625

268/9577

262/1638

245/7510

272 825



Dimensions

Width - 119.5cm

Depth - 40cm

Height - 74.5cm



**MADE IN
BRITAIN**

Important - Please read these instructions fully before starting assembly

If you need help or have damaged or missing parts, call the **Customer Helpline: 0870 112 1928** or email: Help@ClickSpares.co.uk (quoting your original order number)



Safety and Care Advice

Important - Please read these instructions fully before starting assembly

- **Warning:** This unit weighs approximately 41.5kgs. Please lift with care.

- Check you have all the components and tools listed on pages 2 and 3.

- Remove all fittings from the plastic bags and separate them into their groups.

- Keep children and animals away from the work area, small parts could choke if swallowed.

- Parts of the assembly will be easier with 2 people.

- Make sure you have enough space to layout the parts before starting.

- Do not stand or put weight on the product, this could cause damage.

- Assemble the item as close to its final position (in the same room) as possible.

- Assemble on a soft level surface to avoid damaging the unit or your floor (use opened out unit carton).



- We do not recommend the use of power drill/drivers **for inserting screws**, as this could damage the unit. Only use hand screwdrivers.

- **Safety note:** If there is any chance of this unit being pulled over by children etc. it is recommended that the unit is secured to a wall using suitable fixings (not supplied).

- Dispose of all packaging carefully and responsibly.

Care and maintenance

- Only clean using a damp cloth and mild detergent, do not use bleach or abrasive cleaners.

- From time to time check that there are no loose screws on this unit.

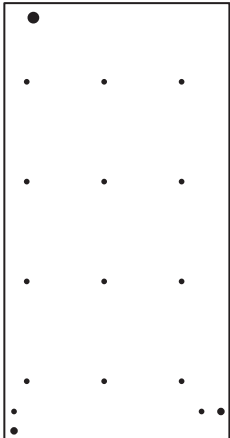
- This product should not be discarded with household waste. Take to your local authority waste disposal centre.

Note: If required the next page can be cut out and used as reference throughout the assembly. Keep this page with these instructions for future reference.

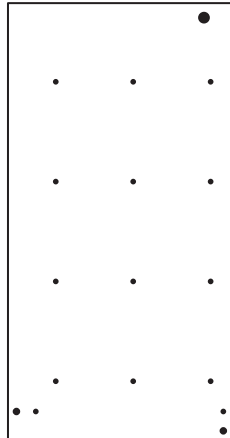
Components - Panels

If you have damaged or missing components, call the **Customer Helpline: 0870 112 1928** or email: **Help@ClickSpares.co.uk** (quoting your original order number and the reference numbers below)

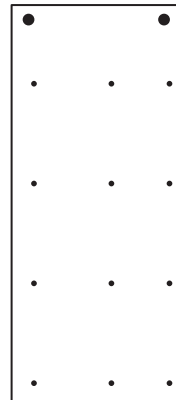
Please check you have all the panels listed below



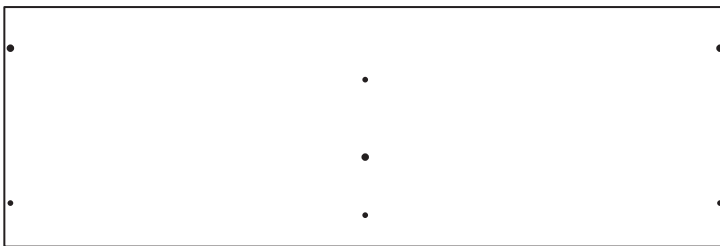
1 Left Side (D2312A)
(721 x 372mm)



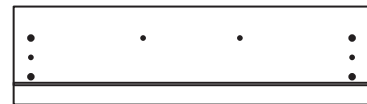
2 Right Side (D2313A)
(721 x 372mm)



3 Upright (D2323A)
(655 x 282mm)



4 Top (D2322A)
(1193 x 396mm)



5 Drawer Front (D2324A)
(588 x 162mm) x 8



6 Rail (D2325A)
(1158 x 66mm) x 2



7 Drawer Base (T529-367)
(529 x 367mm) x 8



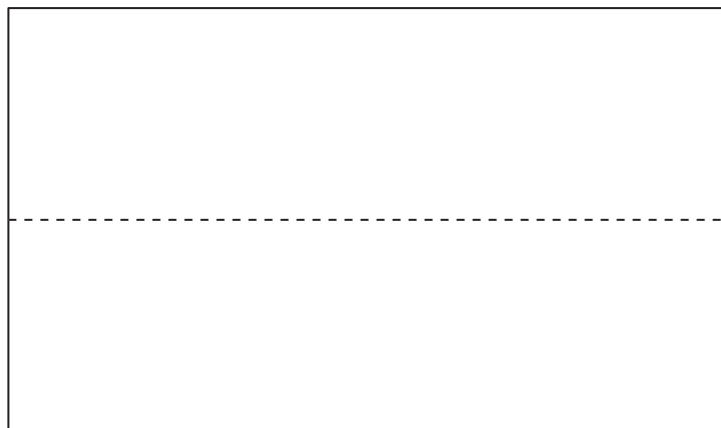
8 Left Drawer Side (W370-124LH)
(370 x 124mm) x 8



9 Right Drawer Side (W370-124RH)
(370 x 124mm) x 8



10 Drawer Back (W518-124)
(518 x 124mm) x 8



11 Back (X1184-700)
(1184 x 700mm)

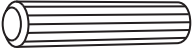
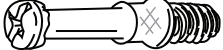



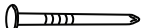




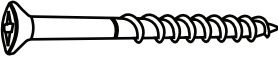


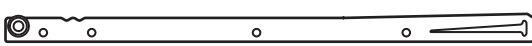
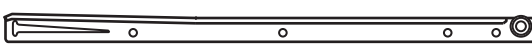

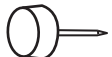

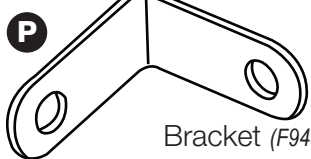


Components - Fittings

If you have damaged or missing components, call the **Customer Helpline: 0870 112 1928** or **email: Help@ClickSpares.co.uk** (quoting your original order number and the reference numbers below)

Please check you have all the fittings listed below

Note: The quantities below are the correct amount to complete the assembly. In some cases more fittings may be supplied than are required.

<p>A </p> <p>Wooden dowel (F22) x 7</p>	<p>B </p> <p>Metal dowel (F901) x 24</p>	<p>C </p> <p>Small locking nut (F3) x 16</p>	
<p>D </p> <p>Large locking nut (F900) x 8</p>	<p>E </p> <p>Knock-in Peg (F171GY) x 32</p>	<p>F </p> <p>Nail (F51) x 26</p>	
<p>G </p> <p>19mm Screw (F461) x 16</p>	<p>H </p> <p>13mm Screw (F52) x 48</p>	<p>I </p> <p>13mm Screw (F63) x 48</p>	<p>J </p> <p>13mm Screw (F79) x 1</p>
<p>K </p> <p>45mm Screw (F65) x 1</p>	<p>L a  L Runner (F159) x 8 ← 350mm long →</p> <p>L b  R Runner (F160) x 8</p> <p>L c  L Runner (F161) x 8</p> <p>L d  R Runner (F162) x 8</p>		
<p>M </p> <p>Wedgex (F639) x 32</p>	<p>N </p> <p>Plastic Nail (F91) x 5</p>		
<p>O </p> <p>Handle (F278) x 8</p>		<p>P </p> <p>Bracket (F945) x 1</p>	

Tools required



Rule



Cross-head screwdriver



Scissors



Hammer

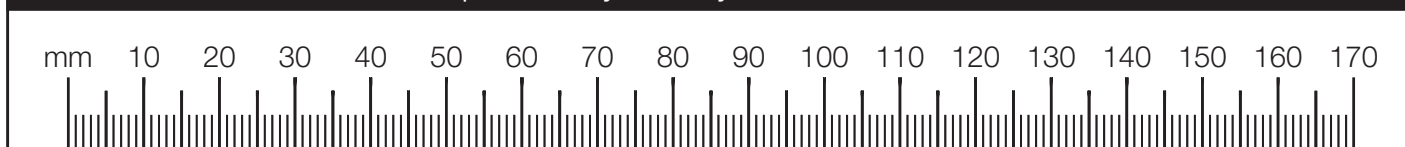


Eye protection (when using a hammer or drill)



Electric drill (do not use for fitting screws)

Ruler - Use this ruler to help correctly identify the screws



Assembly Instructions

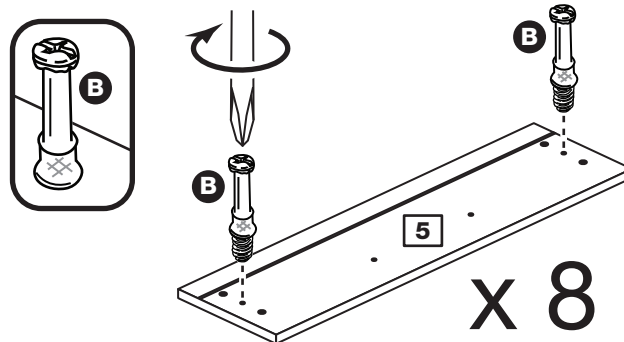
If you have damaged or missing components, call the Customer Helpline: 0870 112 1928 or email: Help@ClickSpares.co.uk (quoting your original order number and the reference numbers below)

Step 1

Prepare the drawer fronts

Screw 2 metal dowels **B** into the holes shown on the back of each drawer front **5**.

Note: Tighten the metal dowels up fully against the panels.

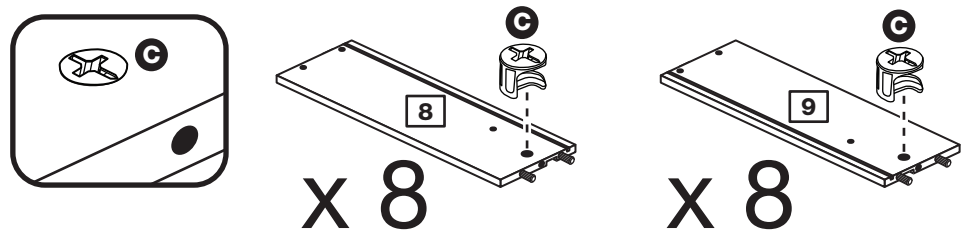


Step 2

Prepare the drawer sides

Insert a small locking nut **C** into the hole shown on the left drawer side **8** and right drawer side **9**.

Note: The arrow on the locking nut **must** point towards the hole in the edge of the panel.



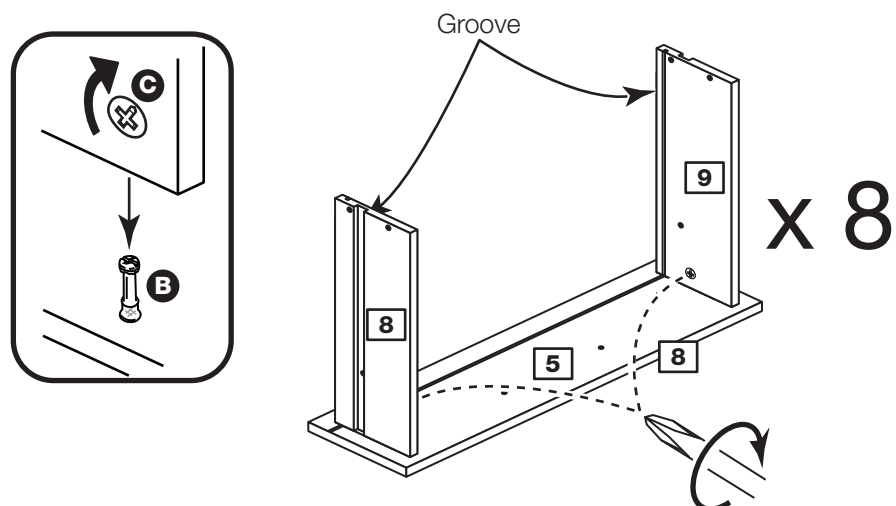
Step 3

Attach the drawer sides to the drawer front

Push the left drawer side **8** and right drawer side **9** onto the back of the drawer front **5**.

Turn the small locking nuts **C** on the left drawer side **8** and right drawer side **9**.

Note: Turn the locking nuts **C** clockwise to secure panels - more than 1/2 a turn.



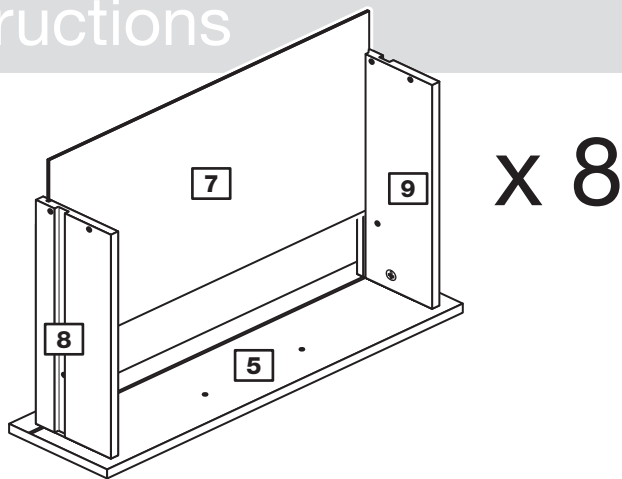
Note: The locking nuts can be on either surface of the drawer sides. Make sure that the groove is on the inside, as shown.

Assembly Instructions

Step 4

Fit the drawer base

Slide the drawer base **7** down the grooves in the drawer sides **8** and **9** and down into the groove in the drawer front **5**.



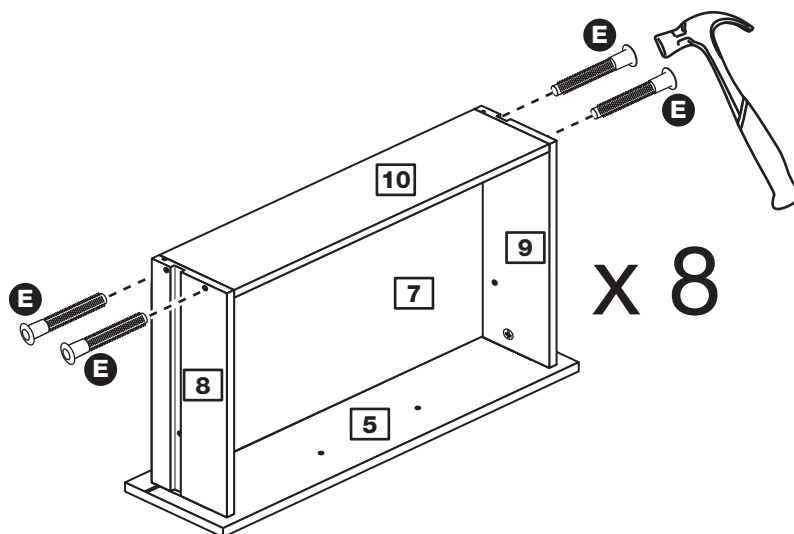
Step 5

Fit the drawer back

Fit the drawer back **10** between the drawer sides **8** and **9**.

Make sure that the drawer base **7** fits into the groove in the drawer back **10**.

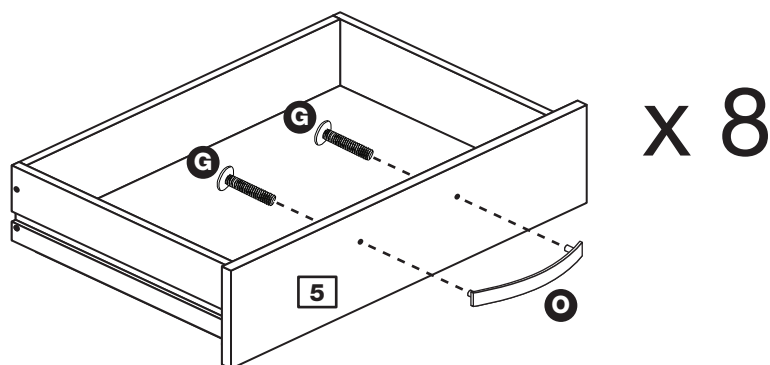
Hold the drawer back **10** in position and tap the knock-in pegs **E** through the holes in the drawer sides **8** and **9**.



Step 6

Attach the handles

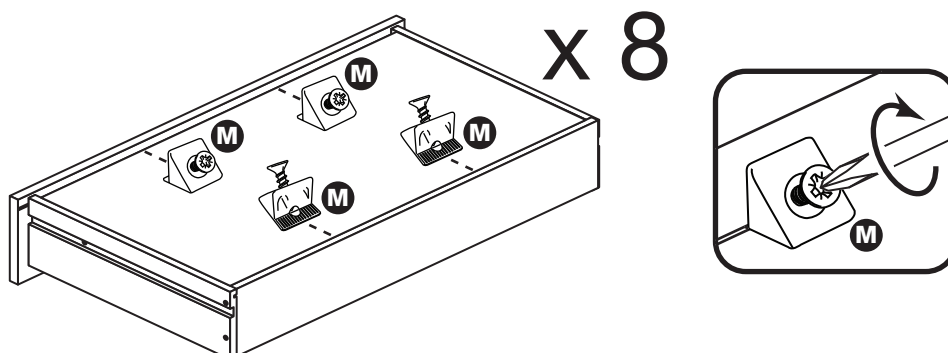
Attach a handle **O** to each drawer front **5** using 2 screws **G**.



Step 7

Fit the wedgifixes

Turn the drawer assemblies over and slide 4 wedgifixes **M** into the front and back grooves, as shown, and tighten up the screws.



Assembly Instructions

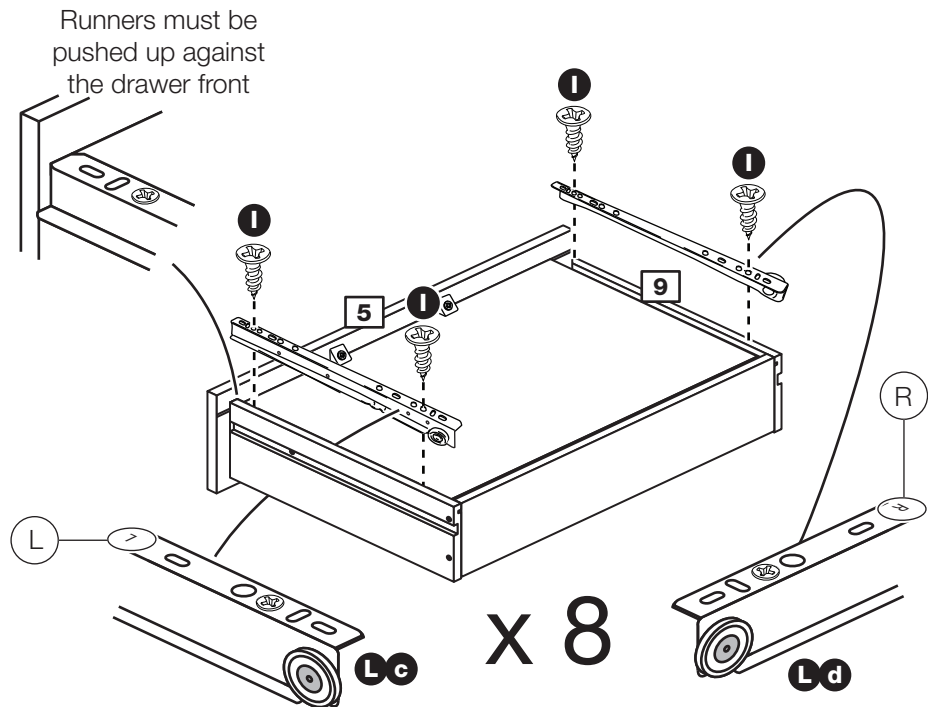
Step 8

Fit runners to the drawers

Fit runner **Ld**, marked with 'R', to the bottom edge of the right drawer side **9**, as shown, making sure that it is pushed up against the back of the drawer front **5**.

Use a bradawl to mark the fixing positions, then secure with 2 screws **I**.

Fit runner **Lc**, marked 'L', to the bottom edge of the left drawer side **8** using the same method.



Step 9

Prepare the 2 rails

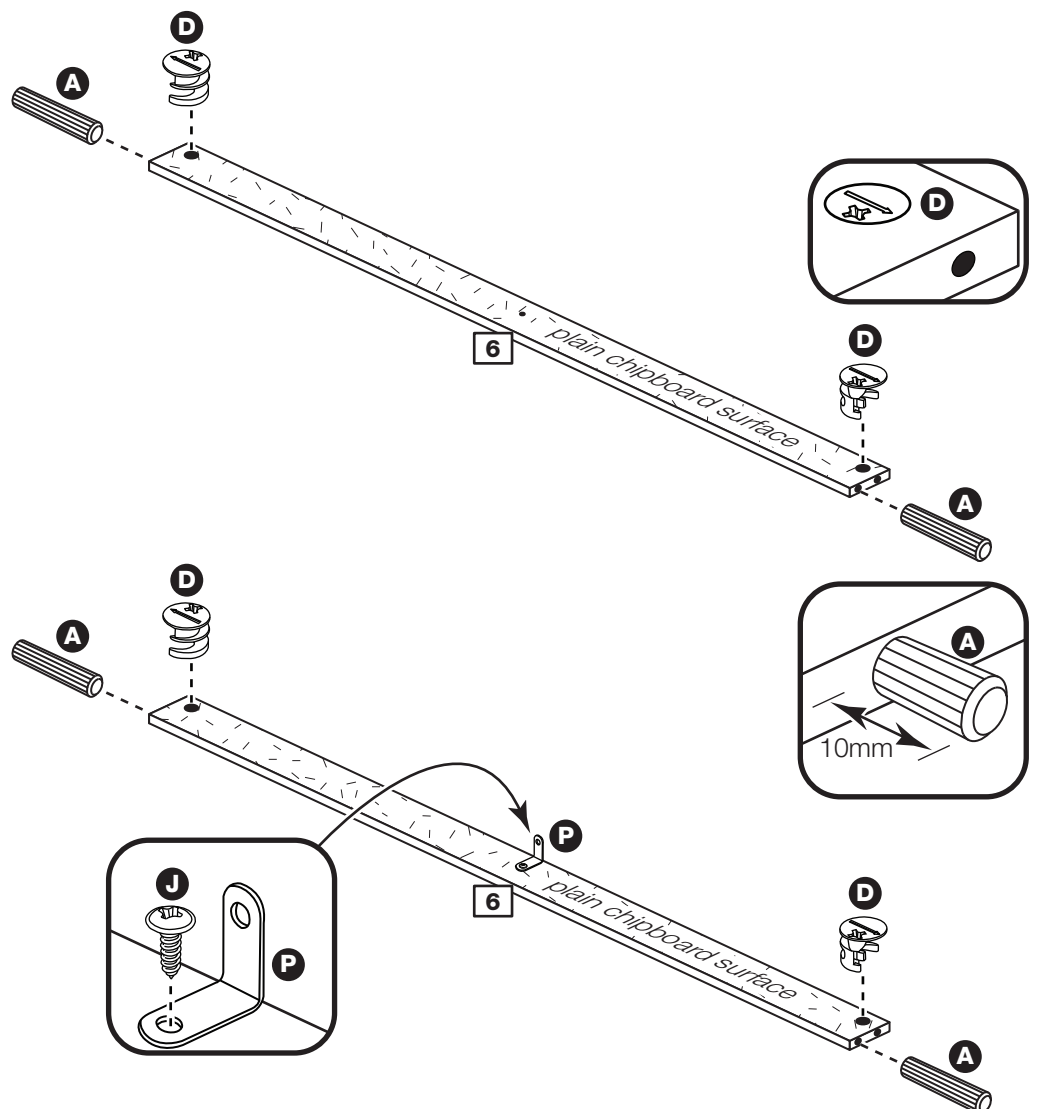
Tap 2 wooden dowels **A** into each rail **6**.

Note: Wooden dowels **must not** stick out from the edge by more than 10mm or they may damage other panels.

Insert 2 large locking nuts **D** into each rail **6**.

Note: The arrow on the locking nut **must** point towards the hole in the edge of the panel.

Fit the bracket **P** to the mark hole in the middle of 1 of the **6** rails using screw **J**.



Assembly Instructions

Step 10

Prepare the left side

a: Fit 4 runners **L a** to the left side **1**.

The 1st screw **H** uses the 2nd hole in from the front of the runner.

The 2nd and 3rd screws **H** use the holes that line up with the other panel holes.

b: Fit a screw **I** into the 2nd hole in at the top of the runners **L a**.

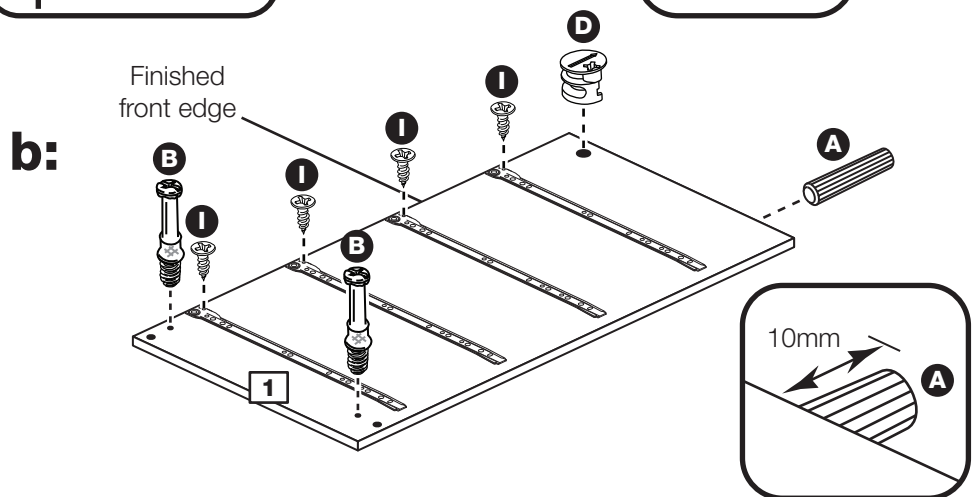
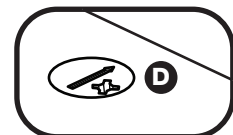
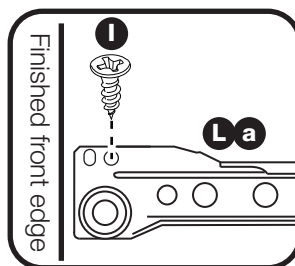
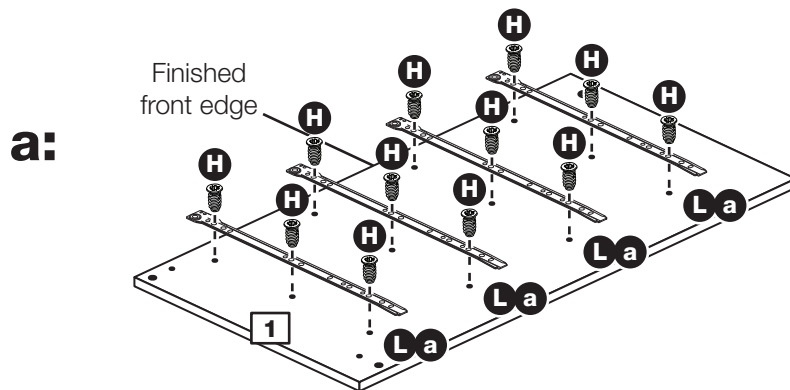
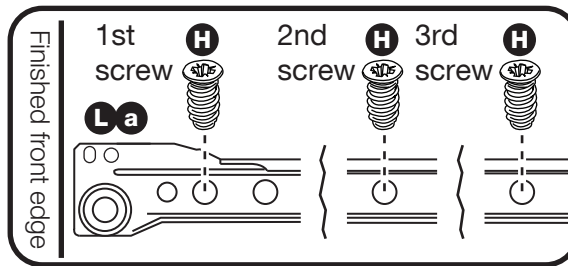
Screw 2 metal dowels **B** into the left side **1**.

Insert a large locking nut **D** into the left side **1**.

Note: The arrow on the locking nut **must** point towards the hole in the edge of the panel.

Tap a wooden dowel **A** into the left side **1**.

Note: Wooden dowels **must not** stick out from the edge by more than 10mm or they may damage other panels.



Assembly Instructions

Step 11

Prepare the right side

a: Fit 4 runners **Lb** to the right side **2**.

The 1st screw **H** uses the 2nd hole in from the front of the runner.

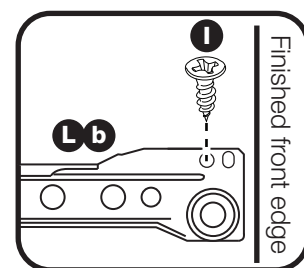
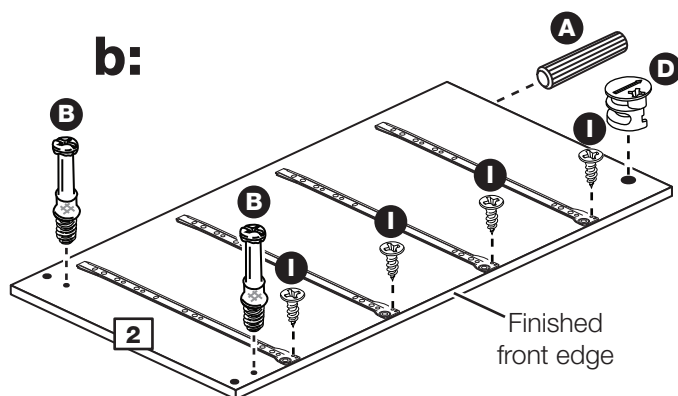
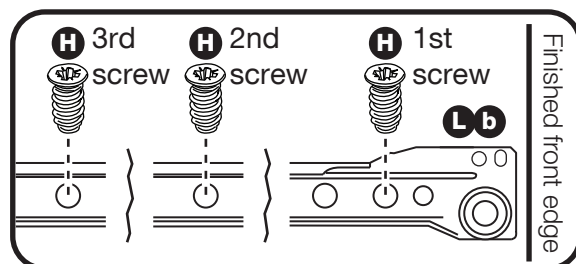
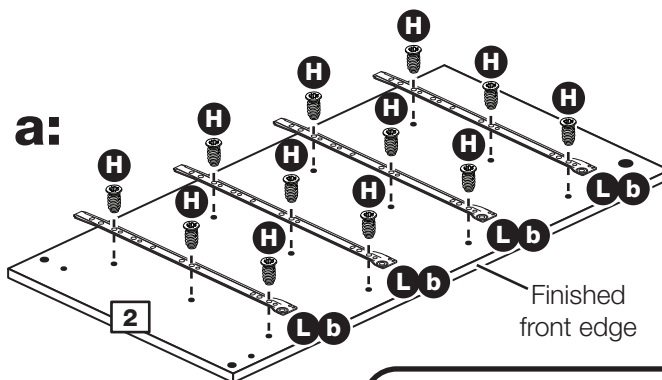
The 2nd and 3rd screws **H** use the holes that line up with the other panel holes.

b: Fit a screw **I** into the 2nd hole in at the top of the runner **Lb**.

Screw 2 metal dowels **B** into the right side **2**.

Insert a large locking nut **D** into the right side **2**.

Tap a wooden dowel **A** into the right side **2**.



Assembly Instructions

Step 12

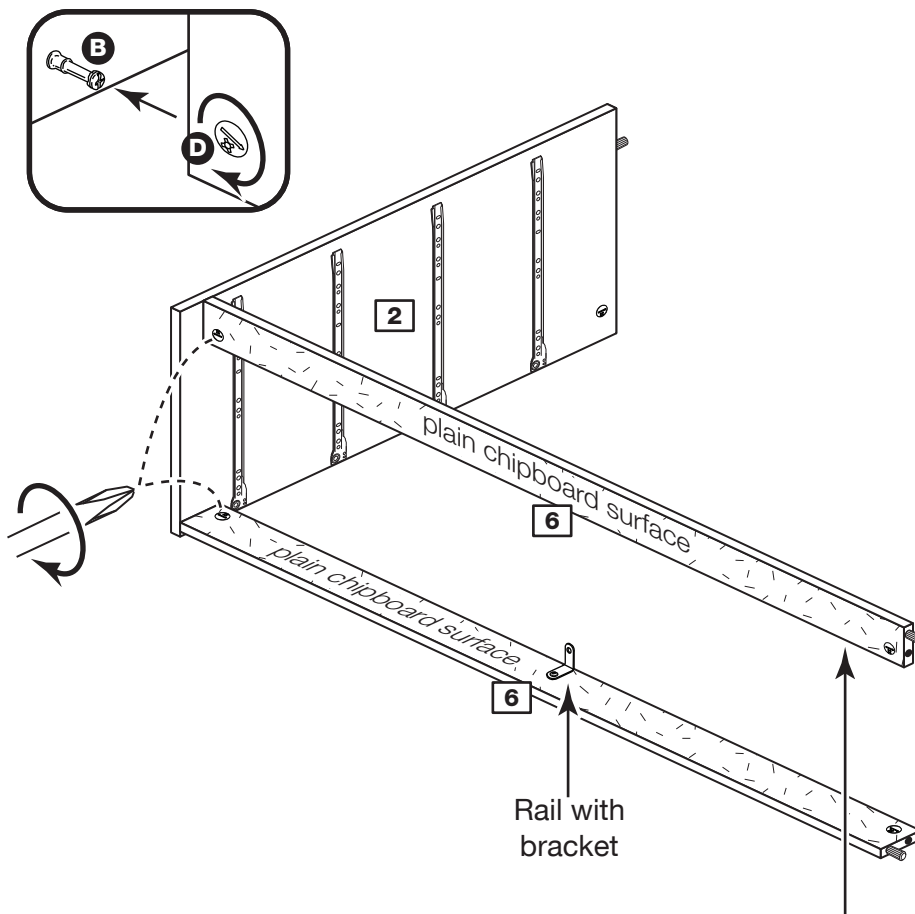
Join the right side and rails

2 people are needed here

Push the 2 rails **6** onto the right side **2**.

Use a screwdriver to tighten the 2 large locking nuts **D** fitted to the rails **6**.

Note: Turn the large locking nuts **D** as far as they will go - more than 1/2 a turn.



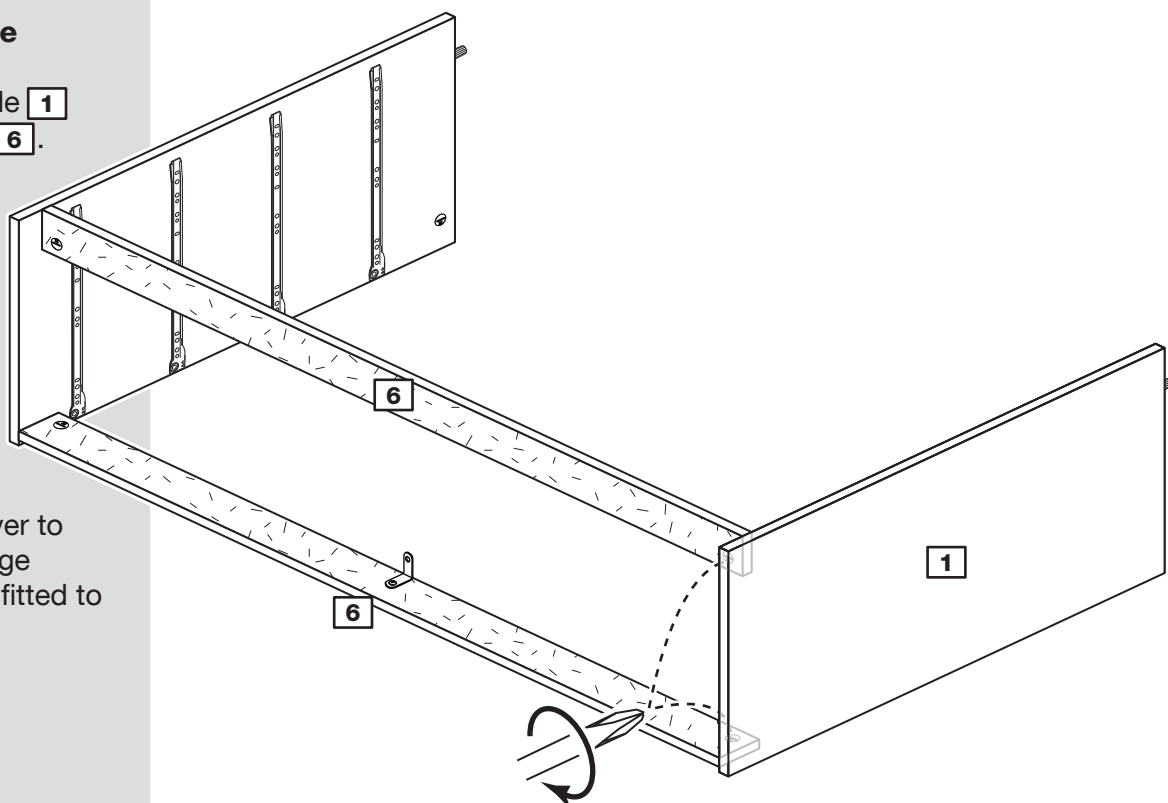
Note: Support this rail until the left side has been fitted in the next step.

Step 13

Fit the left side

Push the left side **1** onto the 2 rails **6**.

Use a screwdriver to tighten the 2 large locking nuts **D** fitted to the rails **6**.



Assembly Instructions

Step 14

Prepare the first surface of the upright

Note: The colour of the upright may differ from the main unit colour.

a: Fit 4 runners **Lb** to the upright **3**.

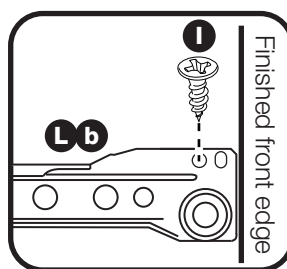
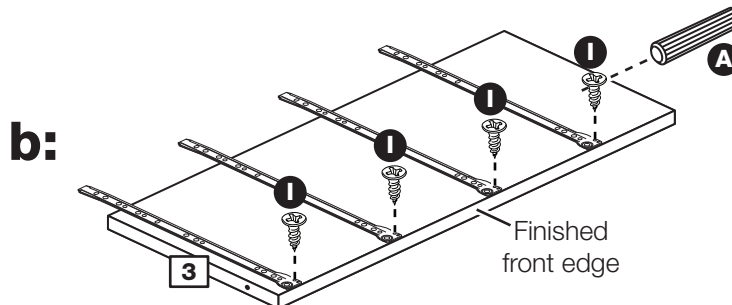
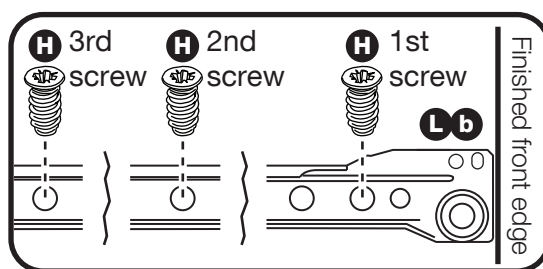
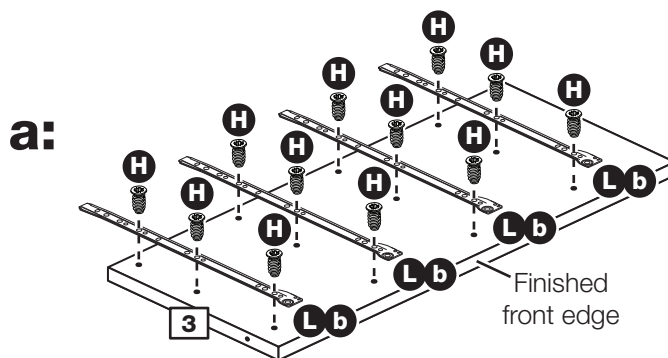
The 1st screw **H** uses the 2nd hole in from the front of the runner.

The 2nd and 3rd screws **H** use the holes that line up with the other panel holes.

b: Fit a screw **I** into the 2nd hole in at the top of the runner **Lb**.

Tap a wooden dowel **A** into the upright **3**.

Turn the upright over for the next step



Turn the divider over

Assembly Instructions

Step 15

Prepare the other surface of the upright

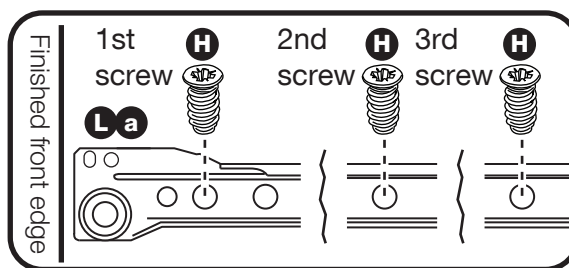
a: Fit 4 runners **La** to the upright **3**.

The 1st screw **H** uses the 2nd hole from the front of the runner.

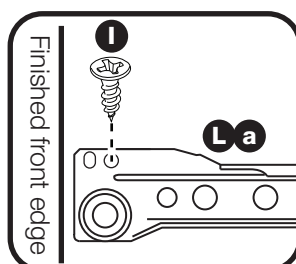
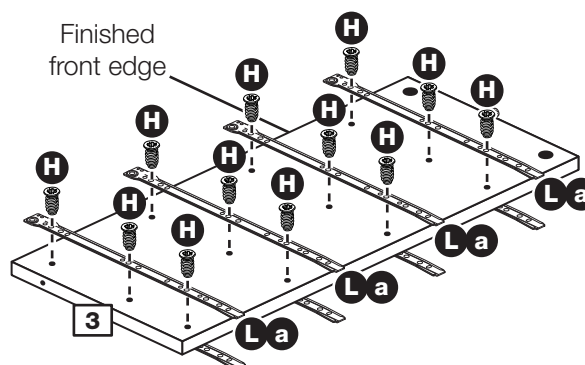
The 2nd and 3rd screws **H** use the holes that line up with the other panel holes.

b: Fit a screw **I** into the 2nd hole in at the top of the runner **La**.

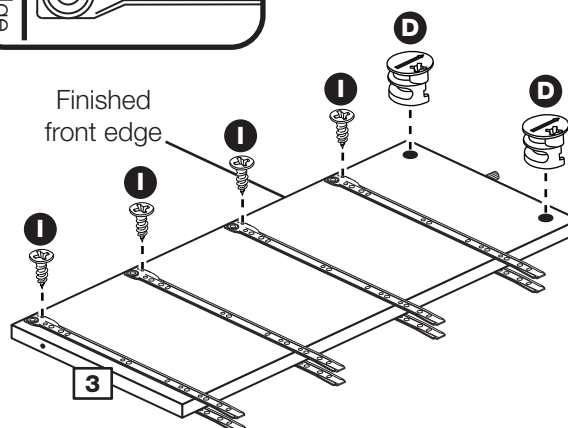
Insert 2 large locking nuts **D** into the upright **3**.



a:



b:

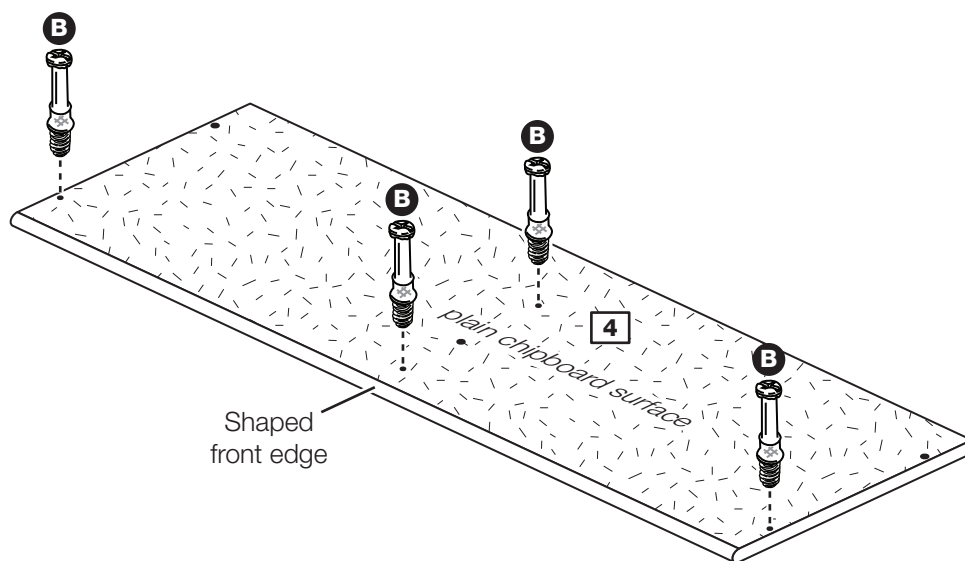


Assembly Instructions

Step 16

Prepare the top

Screw 4 metal dowels **B** into the top **4**.

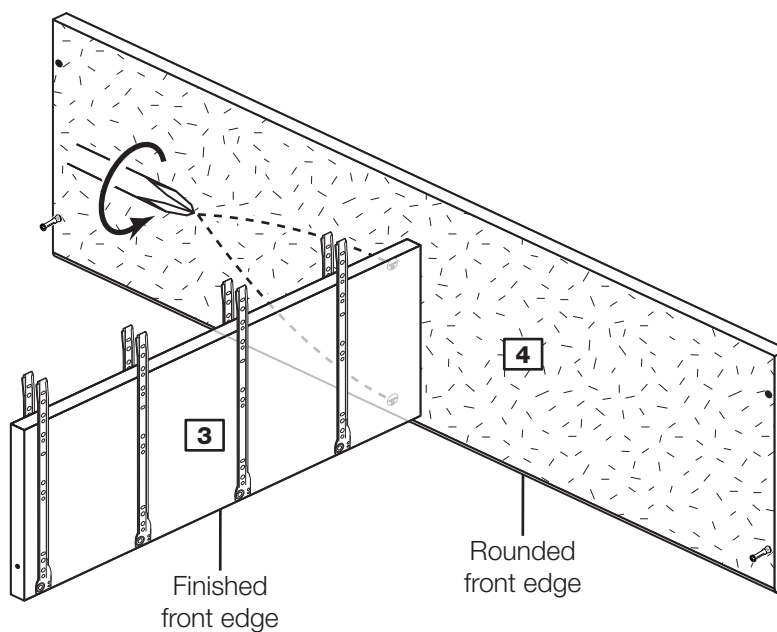


Step 17

Join the upright and top

Push the upright **3** onto the top **4**.

Use a screwdriver to tighten the 2 large locking nuts **D** fitted to the upright **3**.



Assembly Instructions

Step 18

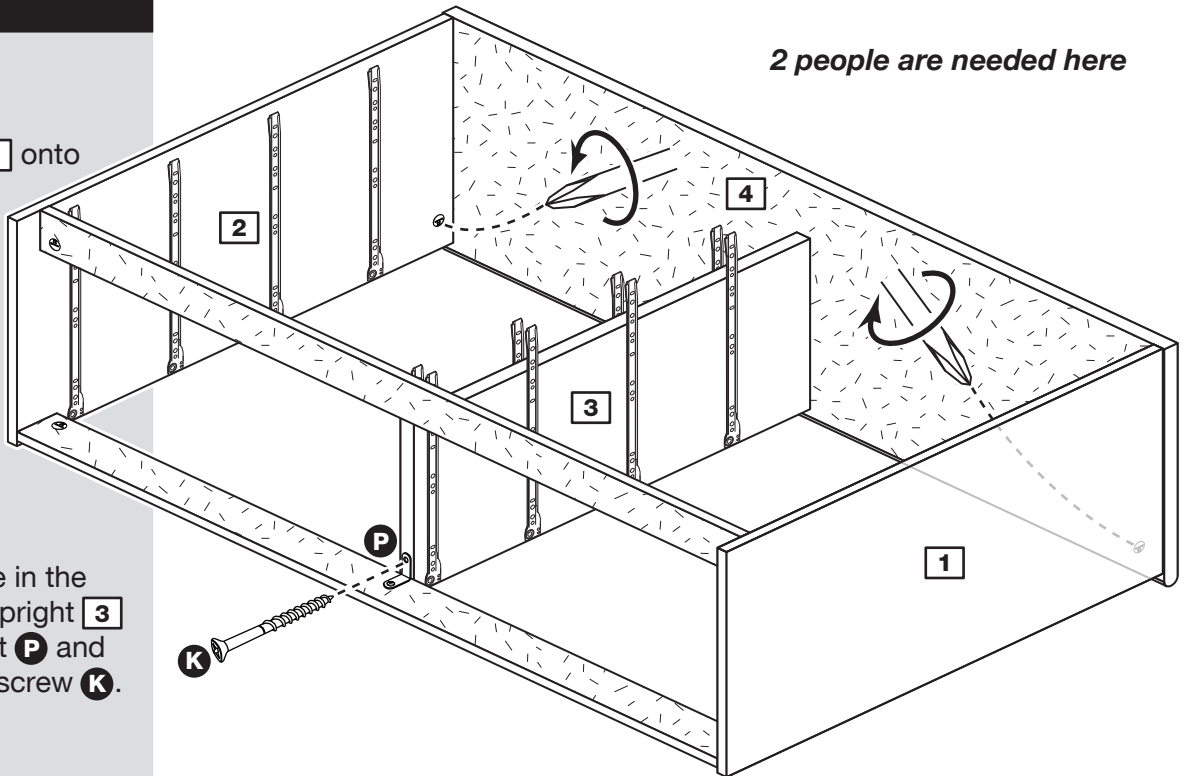
Fit the top

Push the top **4** onto the 2 sides **1** and **2**.

Use a screwdriver to tighten the 2 large locking nuts **D** fitted to the sides **1** and **2**.

Line up the hole in the bottom of the upright **3** with the bracket **P** and secure it using screw **K**.

2 people are needed here



Step 19

Fit the back

a: Square up the unit by making sure that measurement **x to x** equals **y to y**.

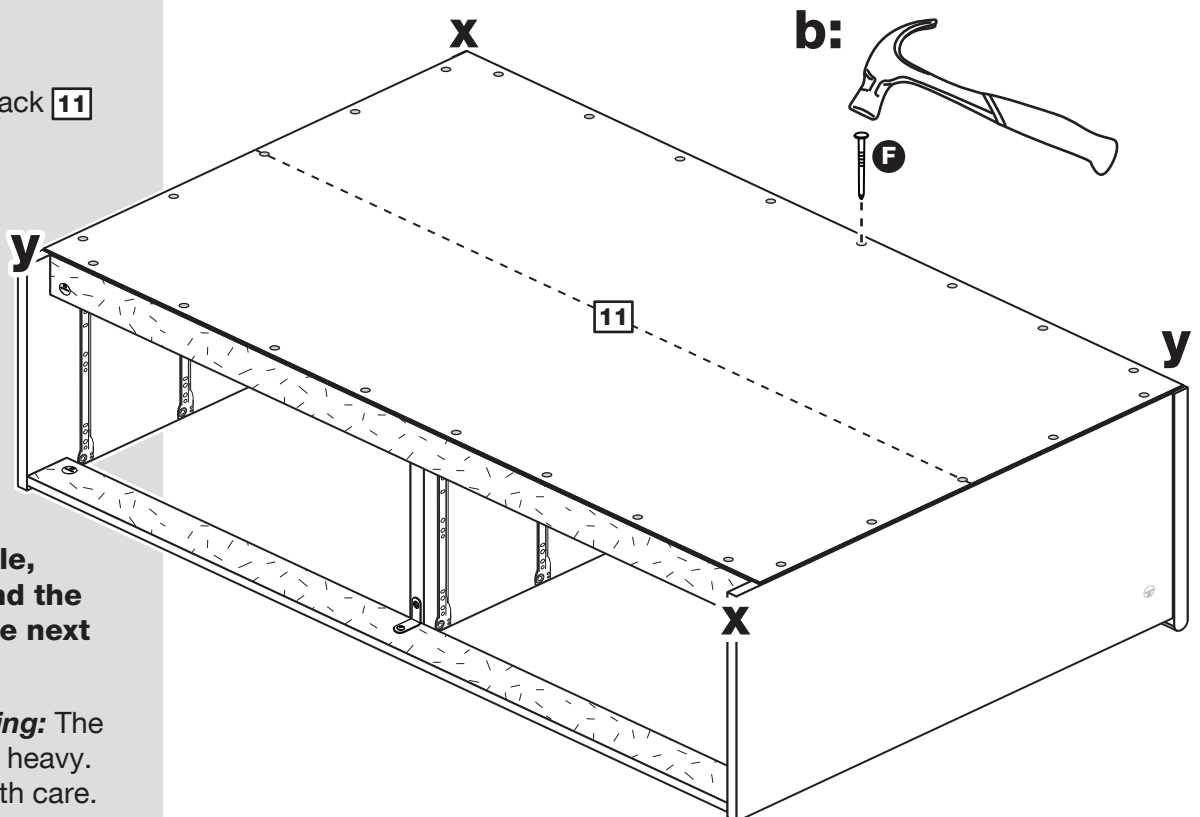
b: Place the back **11** onto the unit.

Nail **F** around the outside edges of the back **11**.

Note: Nails should be spaced about 150mm apart.

Using 2 people, carefully stand the unit up for the next step.

a: The measurement from top corner X to bottom corner X must be equal to the measurement from top corner Y to bottom corner Y



Warning: The unit is heavy. Lift with care.

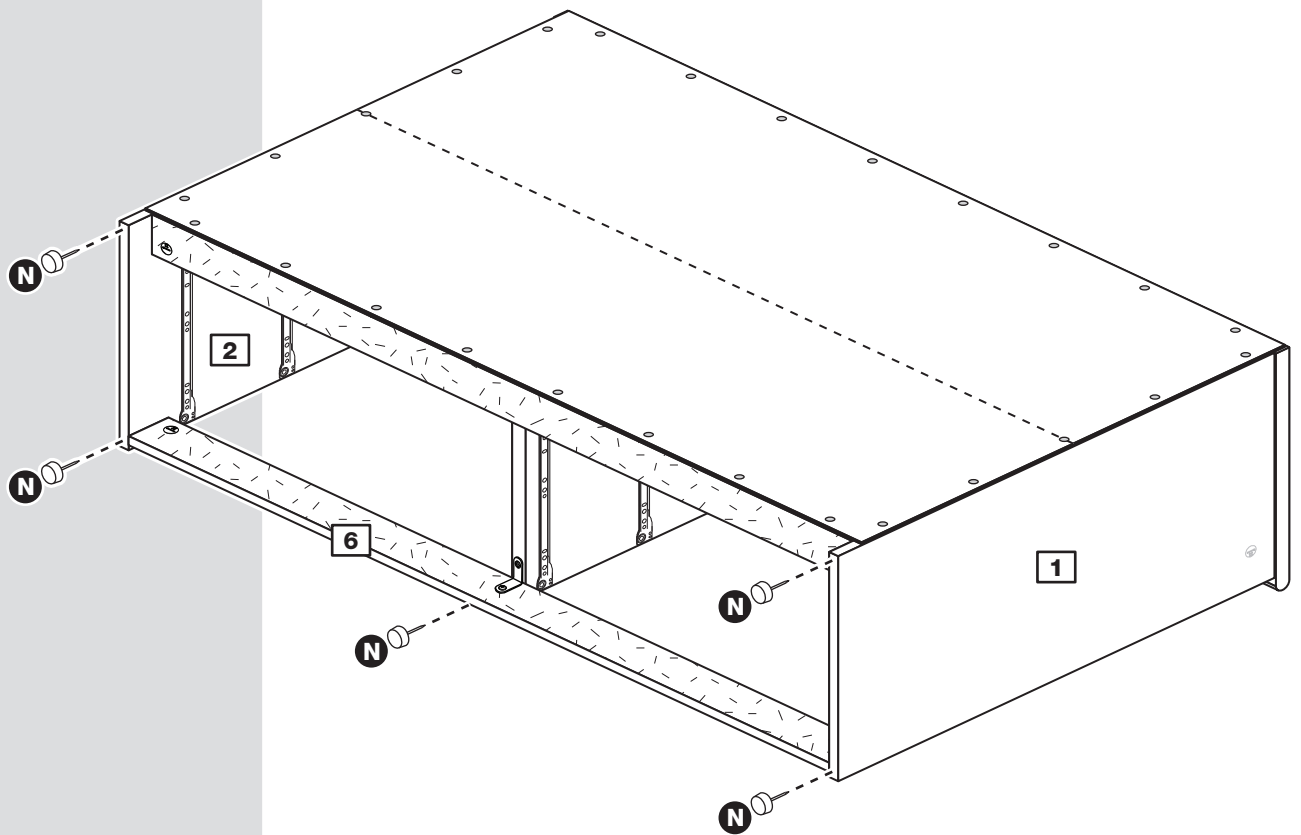
Assembly Instructions

Step 20

Fit the 4 plastic nails

Tap 2 plastic nails **N** into the bottom edge of each of the sides **1** and **2**.

Tap 1 plastic nail **N** into the bottom edge of the rail **6** in the centre.



Assembly Instructions

Step 21

Fit the drawers

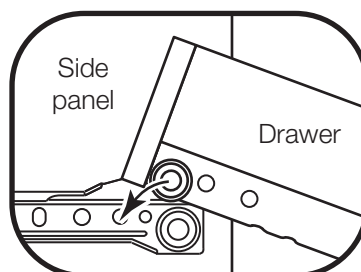
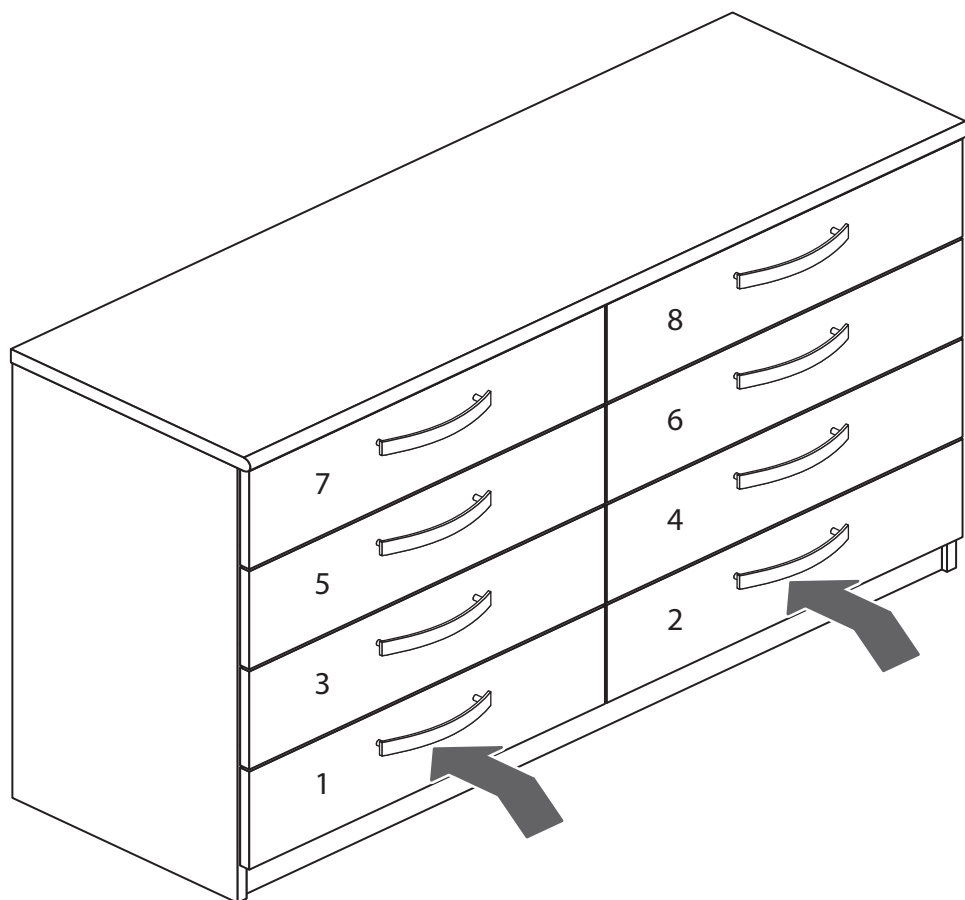
Slide the wheels of the runners fitted to the drawers, over the wheels of the runners fitted to the side panels and push the drawers into position.

Note: We recommend that you fit the drawers in the sequence shown on the diagram.

Assembly is complete



Warning: The unit is heavy. Lift with care.



If you need help or have damaged or missing parts, call the **Customer Helpline: 0870 112 1928** or email: **Help@ClickSpares.co.uk** (quoting your original order number and the reference numbers on the component pages)
Argos Ltd, 489-499 Avebury Boulevard, Central Milton Keynes, MK9 2NW