

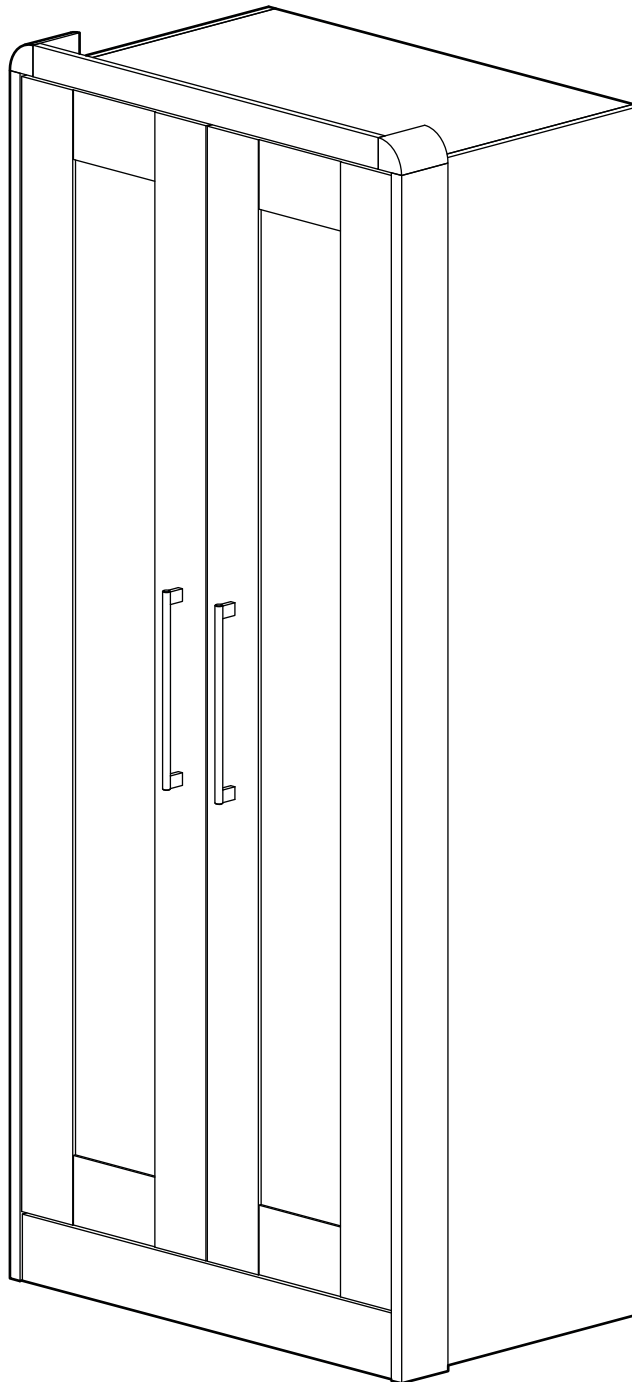
Elford - 2 Door Wardrobe

Assembly Instructions - Please keep for future reference

239/8480

244/5759

247/8977



Dimensions

Width - 84.4cm

Depth - 53.6cm

Height - 196cm

Important – Please read these instructions fully before starting assembly

If you need help or have damaged or missing parts, call the **Customer Helpline:**

Argos = 0345 6403030



Safety and Care Advice

Important – Please read these instructions fully before starting assembly

- Check you have all the components and tools listed on pages 2 and 3.
- Remove all fittings from the plastic bags and separate them into their groups.
- Keep children and animals away from the work area, small parts could choke if swallowed.
- Make sure you have enough space to layout the parts before starting.
- Do not stand or put weight on the product, this could cause damage.
- Assemble the item as close to its final position (in the same room) as possible.

- Assemble on a soft level surface to avoid damaging the unit or your floor.
- Parts of the assembly will be easier with 2 people.
- Due to difference in floor levels, doors may not be aligned. Adjustment may be necessary.
- To prevent bowing of shelves do not over load, and always distribute weight evenly.
- If a residual aroma is experienced with your new furniture after the packaging is removed simply ensure the room is well ventilated and this will assist a speedy removal



- We do not recommend the use of power drill/ drivers for inserting screws, as this could damage the unit. Only use hand screwdrivers.
- Dispose of all packaging carefully and responsibly.
- It is essential that this unit be fixed to a wall with the fittings provided.
- Please retain the product label on the back of the unit, as this information will help support any queries.

Care and maintenance - Non compliance with this information may affect your guarantee

- Dust with a clean cloth or, if required a slightly damp cool cloth. Do not use household cleaners, abrasives or polishes as permanent damage may occur.
- Do not drag the furniture or lift it by its top.
- Avoid sharp objects, contact with water and direct heat on all surfaces
- Your furniture is finished to the required colour. Avoid exposure to strong sunlight as this can change the colour. Change in appearance may also occur if items are permanently left on a surface.
- Doors should be secured or removed before moving.
- You should get assistance when moving or lifting your furniture. Furniture consisting of more than one unit should be disassembled before attempting to move it.
- This product should not be discarded with household waste. Take to your local authority waste disposal centre.

Handy Hints

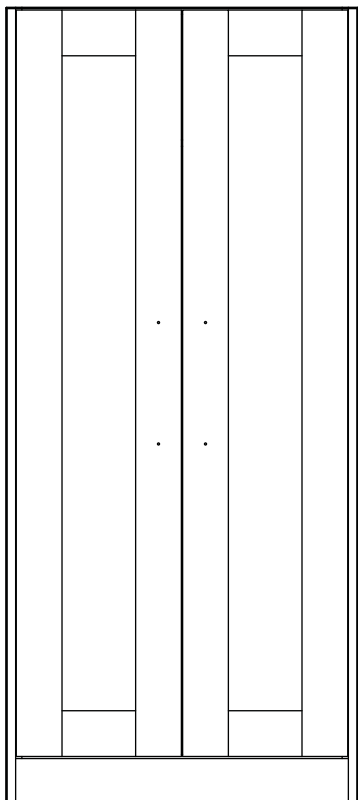
- Assemble all parts and bolts loosely during assembly, only once the product is complete should you fully tighten the bolts.
- Regularly check and ensure that all bolts and fittings are tightened properly.

Note: if required the next page can be cut out and used as reference throughout the assembly. Keep this page with these instructions for future reference.

Components - Panels

If you have damaged or missing components, call the
Customer Helpline: Argos = 0345 6403030

Please check you have all the panels listed below



1 Assembled wardrobe (191 x 84.4 x 53.6cm)



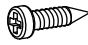

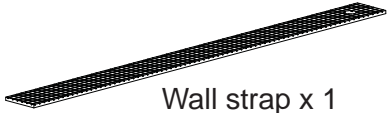
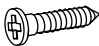

2 Cornice (84.4 x 5cm)



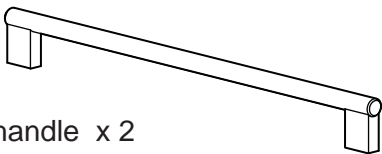

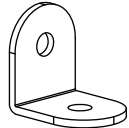
Components - Fittings

Please check you have all the fittings listed below

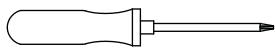
Note: The quantities below are the correct amount to complete the assembly. In some cases more fittings may be supplied than are required.

<p>A </p> <p>15mm Screw x 1</p>	<p>B </p> <p>15mm Washer x 2</p>	<p>C </p> <p>Wall strap x 1</p>
<p>D </p> <p>20mm Cornice screw x 9</p>	<p>E </p> <p>13mm Cornice screw x 2</p>	

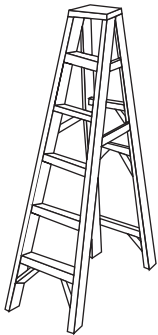
The following components are pre-fitted and are illustrated for reference only.

<p></p> <p>Bar handle x 2</p>	<p></p> <p>22mm Handle screw x 4</p>	<p></p> <p>Angle bracket x 2</p>
--	---	---

Tools required



Phillips screwdriver
(medium)



Step ladder
(or equivalent)

Ruler - Use this ruler to help correctly identify the screws

0 5 10 15 20 25 30 35 40 45 50 55 60 65 70 75 80 85 90 95 100 105 110 115 120 125 130 135 140 145 150 155 160 165 170



The screws length is measured from the head to the point (30mm screw shown)

Assembly Instructions

Step 1

Remove and replace handle

a: Position the unit in the required position. The bar handles are fitted to the inside of the unit, using a Philips screwdriver unscrew the 22mm handle screws in each handle and remove both the 22mm handle screw and the bar handle.

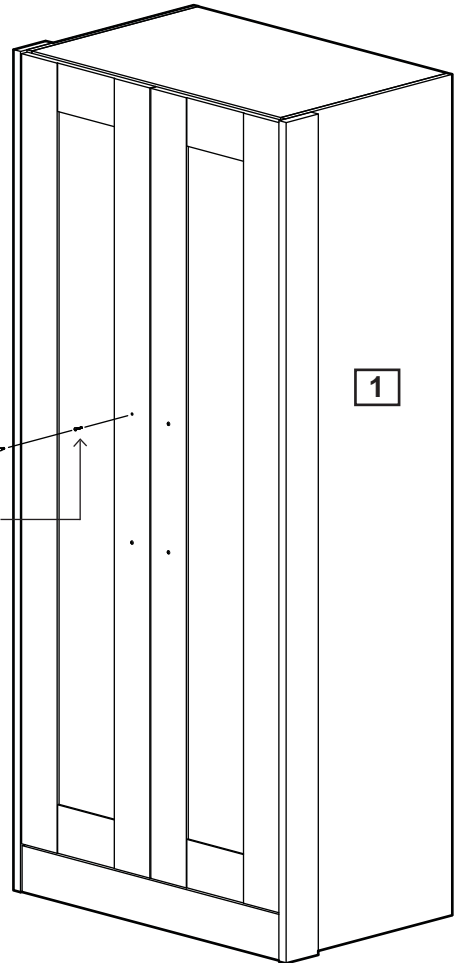


WARNING: Help may be required for this step.

a:

Philips screwdriver

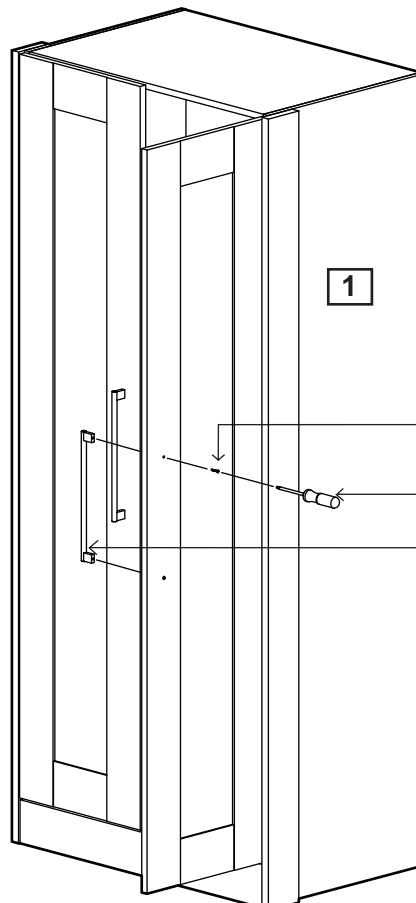
22mm Handle screw



b: Replace the bar handle on the front of the unit. Fix in position by screwing the 22mm handle screw into each bar handle from inside the unit using a Philips screwdriver.

Note: Only use the 20mm handle screw that the handles were pre-fitted with.

b:



22mm Handle screw

Philips screwdriver

Bar handle

Assembly Instructions

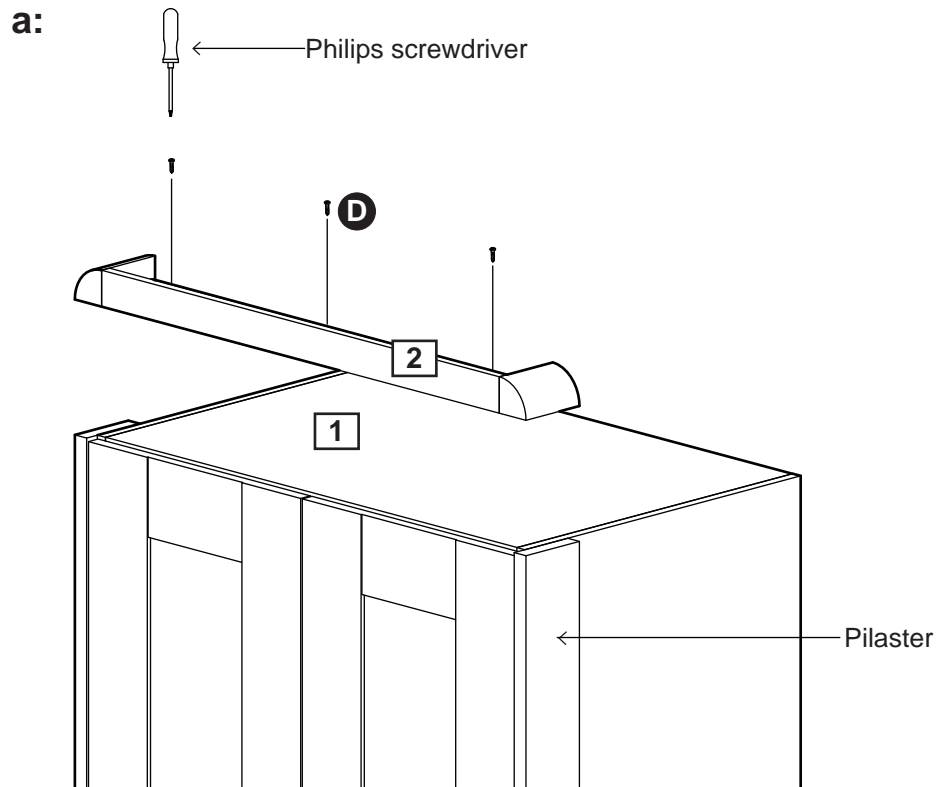
Step 2

Fitting the cornice

a: Place the cornice **2** on top of the wardrobe. ensure the back of the cornice lines up with the back of the pilaster and that each end lines up with the edge of the pilaster.

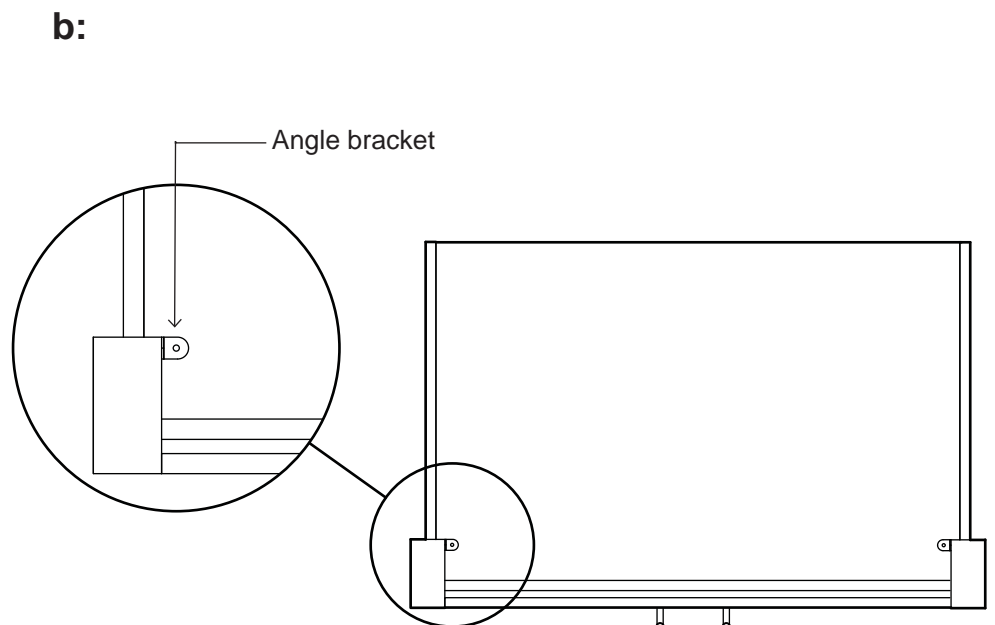
When in position fix in place using the 20mm cornice screw **D** the pre drilled hole in the cornice **2** and a philips screwdriver.

Note: There are not any pre-drilled holes in the top of the robe for this.



b: When fixed in place fully secure by screwing the 13mm cornice screws **E** through the angle brackets in to the wardrobe using a philips screwdriver.

Note: There are not any pre-drilled holes in the top of the robe for this.



Assembly Instructions

Step 3

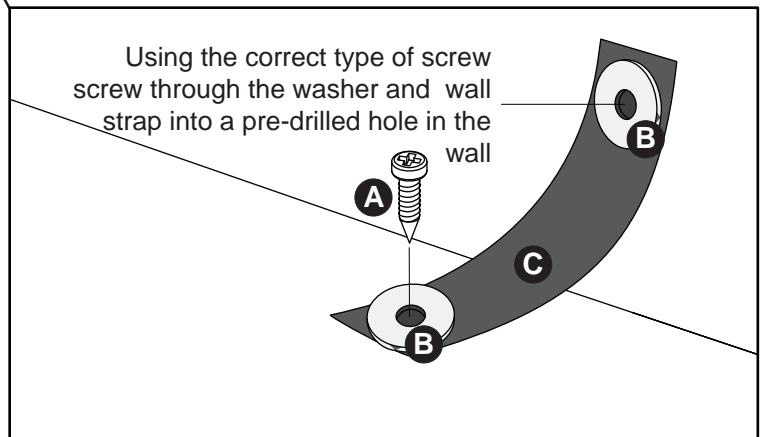
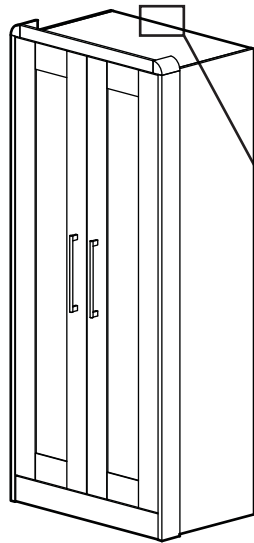
Fixing to wall

It is recommended that the wardrobe is fixed to a wall

Fix wall strap **C** to the top of wardrobe using 15mm screw **A** and 15mm washer **B**.



Warning: The 15mm screw **A** is for fixing the wall strap **C** to furniture only. In addition to this you will need to choose a screw or fitting which is suitable for securing the wall strap **C** to the type of walls you have. If you are unsure about what type of screw to use seek professional help.



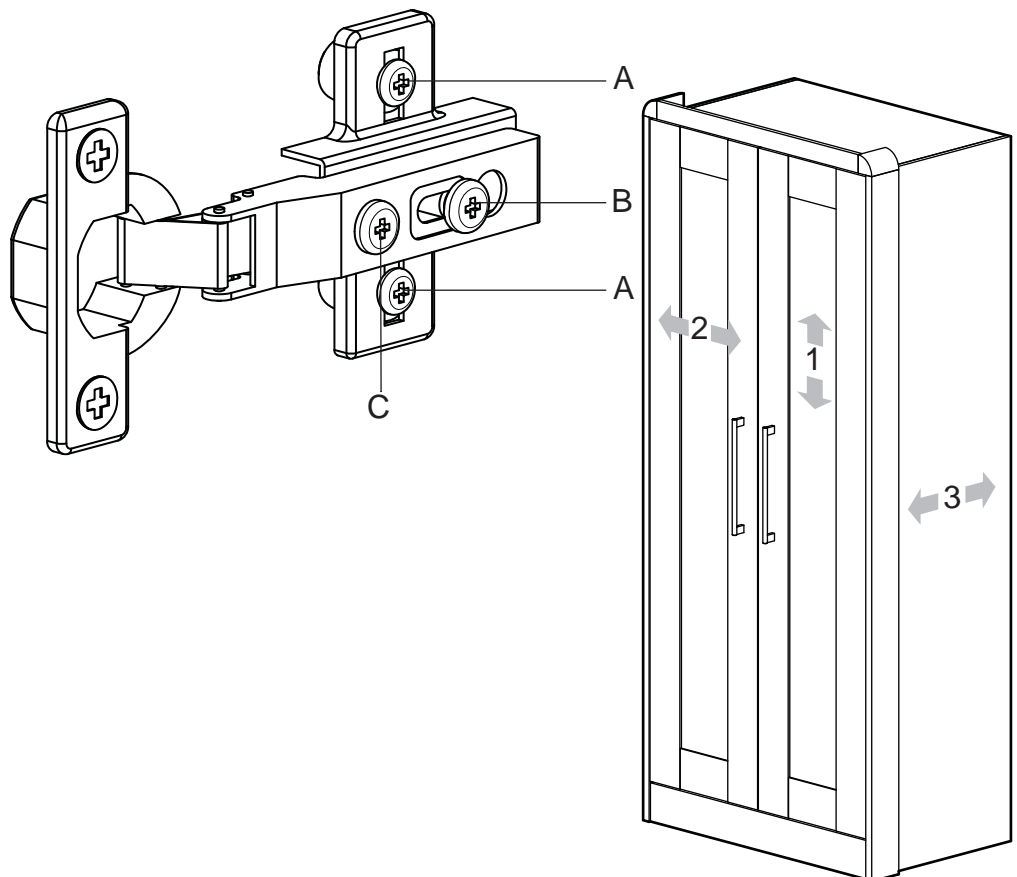
Step 4

Adjusting doors

1. To adjust the height / level of the door loosen all screw 'A's on all hinge plates, level the door height and retighten all screw 'A's.

2. To adjust the gap between the doors loosen screw 'B', then turn screw 'C' clockwise to close the gap or anticlockwise to increase the gap. Re-tighten screw 'B' to lock position.

3. To adjust the distance away from the unit loosen screw 'B', this allows the hinge arm to slide back and forth. Adjust as required then re-tighten screw 'B'.



Assembly is complete.

If you need help or have damaged or missing parts, call the **Customer Helpline:**
Argos = 0345 6403030