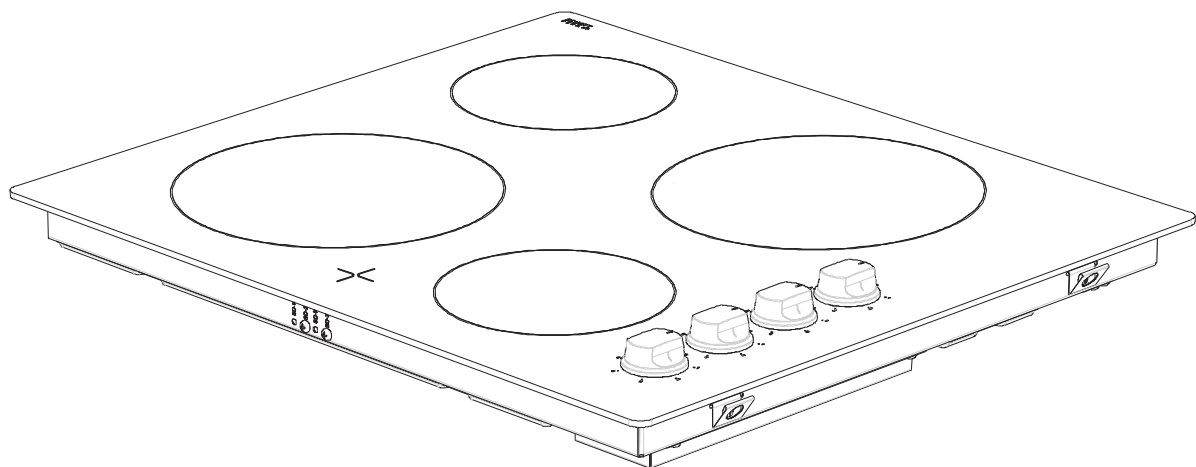


BUSH

BUILT-IN VITROCERAMIC HOB

Operating & Installation Instructions -Please keep for future reference

A60CK



Important - Please read these instructions fully before using

These instructions contain important information which will help you get the best from your appliance and help to ensure safe and correct installation, use and maintenance.

If you need help or have damaged or missing parts, call the **Customer Helpline: 0345 257 7271**

DESCRIPTION OF THE HOB	1
SAFETY INFORMATION	2
INSTALLATION	4
USAGE	6
CLEANING AND CARE	7

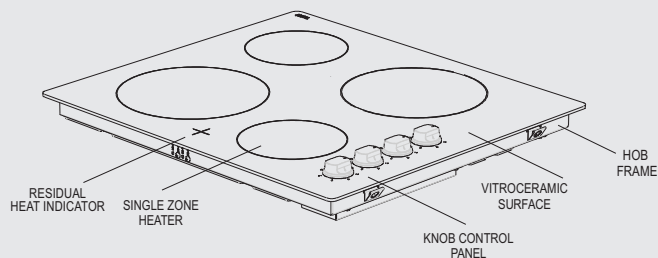
Dear Customer,

It is important that you should read this manual in order to get the best performance from your appliance and to also help extend the life of your appliance.

We recommend that you keep this manual for future reference.

Your new hob is guaranteed if used correctly it should provide you with lasting service. This guarantee is only applicable if the appliance has been installed and operated in accordance with the operating and installation instructions.

DESCRIPTION OF THE HOB



Product code

A60CK



Safety Information

Customer Helpline 0345 257 7271

Important - Please read these instructions fully before installation

READ THESE INSTRUCTIONS CAREFULLY AND COMPLETELY BEFORE USING YOUR APPLIANCE, AND KEEP IT IN A CONVENIENT PLACE FOR REFERENCE WHEN NECESSARY.

THIS MANUAL IS PREPARED FOR MORE THAN ONE MODEL IN COMMON. YOUR APPLIANCE MAY NOT HAVE SOME OF THE FEATURES THAT ARE EXPLAINED IN THIS MANUAL. PAY ATTENTION TO THE EXPRESSIONS THAT HAVE FIGURES, WHILE YOU ARE READING THE OPERATING MANUAL.

General Safety Warnings

IMPORTANT- This appliance can be used by children aged from 8 years and above and persons with reduced physical, sensory or mental capabilities or lack of experience and knowledge if they have been given supervision or instruction concerning use of the appliance in a safe way and understand the hazards involved. Children shall not play with the appliance. Cleaning and user maintenance shall not be made by children without supervision.

WARNING- The appliance and its accessible parts become hot during use. Care should be taken to avoid touching heating elements. Children less than 8 years of age shall be kept away unless continuously supervised.

WARNING- Unattended cooking on a hob with fat or oil can be dangerous and may result in fire. NEVER try to extinguish a fire with water, but switch off the appliance and then

cover flame e.g. with a lid or a fire blanket.

WARNING- Danger of fire: do not store items on the cooking surfaces.

WARNING- If the surface is cracked, switch off the appliance to avoid the possibility of electric shock.

IMPORTANT- For hobs incorporating a lid, any spillage should be removed from the lid before opening. And also the hob surface should be allowed to cool before closing the lid.

IMPORTANT- The appliance is not intended to be operated by means of an external timer or separate remote-control system.

IMPORTANT- Do not use harsh abrasive cleaners or sharp metal scrapers to clean the oven door glass and other surface since they can scratch the surface, which may result in shattering of the glass or damage to the surface.

IMPORTANT- Do not use steam cleaners for cleaning the appliance.

IMPORTANT- Your appliance is produced in accordance with all applicable local and international standards and regulations.

IMPORTANT- Maintenance and repair work must be made only by authorized service technicians. Installation and repair work that is carried out by unauthorized technicians may endanger you. It is



Safety Information

Customer Helpline 0345 257 7271

Important - Please read these instructions fully before installation

dangerous to alter or modify the specifications of the appliance in any way.

IMPORTANT- Prior to installation, ensure that the local distribution conditions (nature of the gas and gas pressure or electricity voltage and frequency) and the requirements of the appliance are compatible. The requirements for this appliance are stated on the label.

CAUTION- This appliance is designed only for cooking food and is intended for indoor domestic household use only and should not be used for any other purpose or in any other application, such as for non-domestic use or in a commercial environment or room heating.

IMPORTANT- All possible security measures have been taken to ensure your safety. Since the glass may break, you should be careful while cleaning to avoid scratching. Avoid hitting or knocking on the glass with accessories.

IMPORTANT- Ensure that the supply cord is not wedged during the installation. If the supply cord is damaged, it must be replaced by the manufacturer, its service agent or similarly qualified persons in order to prevent a hazard.

Installation Warnings

IMPORTANT- Do not operate the appliance before it is fully installed.

IMPORTANT- The appliance must be installed by an authorized technician and put into use. The producer is not responsible for any damage that might be caused by defective placement and installation by unauthorized people.

IMPORTANT- When you unpack the appliance, make sure that it is not damaged during transportation. In case of any defect; do not use the appliance and contact a qualified service agent immediately. As the materials used for packaging (nylon, staplers, styrofoam...etc) may cause harmful effects to children, they should be collected and removed immediately.

IMPORTANT- Protect your appliance against atmospheric effects. Do not expose it to effects such as sun, rain, snow etc.

IMPORTANT- The surrounding materials of the appliance (cabinet) must be able to withstand a temperature of min 100°C.

During usage

IMPORTANT- Do not put flammable or combustible materials, in or near the appliance when it is operating.

IMPORTANT- Do not leave the cooker while cooking with solid or liquid oils. They may catch fire on condition of extreme heating. Never pour water on to flames that are caused by oil. Cover the saucepan or frypan with its cover in order to choke the flame that has occurred in this case and turn the cooker off.

IMPORTANT- Always position pans over the centre of the cooking zone, and turn the handles to a safe position so they cannot be knocked or grabbed.

IMPORTANT- If you will not use the appliance for a long time, plug it off. Keep the main control switch off. Also when you do not use the appliance, keep the gas valve off.

IMPORTANT- Make sure the appliance control knobs are always in the "0" (stop) position when it is not used.

During cleaning and maintenance

IMPORTANT- Always turn the appliance off before operations such as cleaning or maintenance. You can do it after plugging the appliance off or turning the main switches off.

IMPORTANT- Do not remove the control knobs to clean the control panel.

TO MAINTAIN THE EFFICIENCY AND SAFETY OF YOUR APPLIANCE, WE RECOMMEND YOU ALWAYS USE ORIGINAL SPARE PARTS AND TO CALL ONLY OUR AUTHORIZED SERVICE AGENTS IN CASE OF NEED.

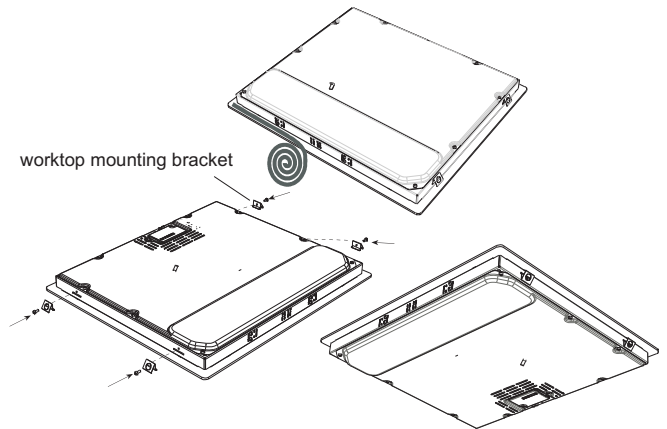
The temperature of the bottom surface of the hob might rise during the operation. Therefore, a board must be installed underneath the product.

The electrical connection of this hob should be carried out by an authorised service or a qualified electrician, according to the instructions in this guide and in compliance with the current regulations.

Prior to installation, ensure household electricity Supply matches the supply detailed on the products rating plate.

- The laws, ordinances, directives and standards in force in the country of use are to be followed (safety regulations, proper recycling in accordance with the regulations, etc.)

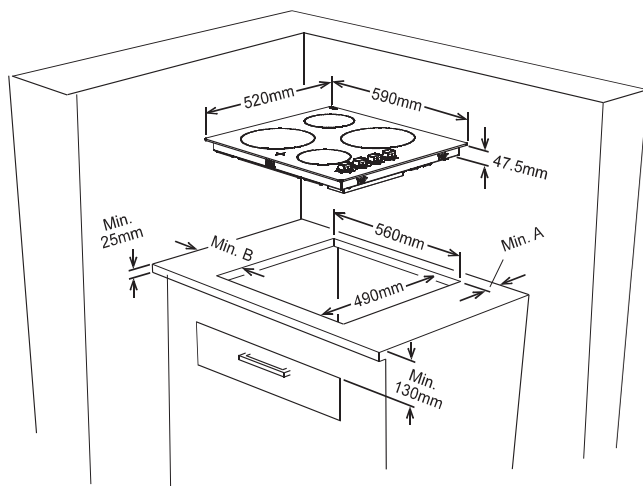
- Apply the one-sided self-adhesive sealing tape supplied all the way round the lower edge of the cooking surface along the outer edge of the glass ceramic.
- Screw the 4 worktop mounting brackets on the side walls of product. panel. Do not stretch it.



Locating your built-in hob

After removing the packaging material from the appliance and its accessories, ensure that the hob is not damaged. If you suspect any damage, do not use the appliance and contact an authorised service personal or a qualified electrician immediately.

- This built-in hob is to be inserted into a cut out of a worktop. It will be electrically connected to a switch box, especially intended for this purpose.
- Create an opening with the dimensions shown in the picture on next picture. The distance between the rear edge of the hob and any adjacent wall is depend on wall surface. please don't use easily combustible material like curtain, paper at nearby hob.

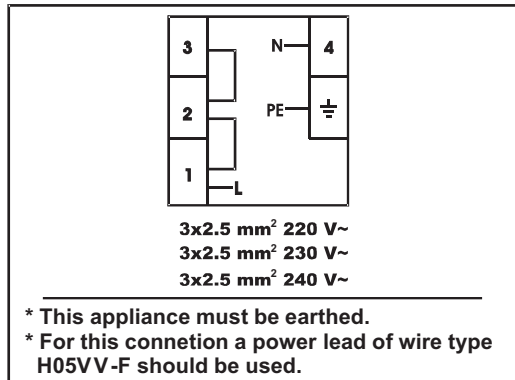


Neighborhood walls	A [mm]	B [mm]
Combustible	60	150
Non-combustible	25	40

ELECTRICAL CONNECTION OF YOUR HOB

Before proceeding with the electrical connection, verify that the current carrying capacity of the system and the socket is adequate for the maximum power rating of the hob.

- Electrical installation of the residence and the plug in use must be earthed and conform with safety regulations.
- If there is no dedicated hob circuit and fused switch, they must be installed by a qualified electrician before the hob is connected.
- The fused switch must be easily accessible once the hob has been installed.
- Do not use adaptors, multiple sockets and/or extension leads.
- This appliance conforms with the requirements of the following EEC Directives:
 1. Vitroceramic hob EEC/73/23 and 93/68, EEC/89/336 relating to radio interference,
 2. EEC/89/109 relating to contact with foods.
- A circuit breaker with a contact opening of at least 3mm, rated 25A and of delayed functioning type must be installed inside the supply circuit.
- For the knob controlled vitroceramic hob, the cable must be 3X2,5mm² for single phase / 60227 IEC 53. You will find the connection diagram shown on the bottom of your appliance.



- During installation, please ensure that isolated cables are used. An incorrect connection might damage your appliance. The guarantee will not cover such damages.
- All repairs must be carried out by authorised service personnel or a qualified electrician.
- Unplug your appliance before carrying out maintenance. For reconnection, follow the connection diagrams strictly.
- Cooking hobs are provided with supply cord.

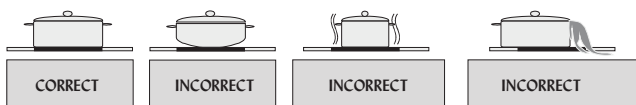
Residual Heat Functions

After all cooking processes there is some heat stored in the vitroceramic glass called residual heat. The control can calculate roughly how hot the glass is in the worst case. If the calculated temperature is higher than + 60 ° C, then this will be indicated in the related residual heat indicator lamp. The residual heat display is shown as long as the calculated heater temperature is $> + 60 \text{ }^{\circ} \text{C}$.

If the supply voltage is interrupted, once it has been reapplied, the residual heat display flashes if the corresponding heater had a residual heat of greater than +60 degrees Celsius before the power interruption occurred. The display will flash until the max. residual heat time has expired or the heater has been selected and activated again.

Cookware with rough bottoms such as cast iron pans should not be used since these can scratch the glass ceramic surface. Before use, make sure that pans are clean and dry.

Always place the cookware on the cooking zone before it is switched on. If possible, always place the lids on the cookware. The bottom of pans must not be smaller or larger than the cooking zones, they should be of an appropriate size as indicated below, so not to waste energy.



Before cleaning the hob, first remove the plug from the electrical supply socket. Then ensure that there is no residual heat stored in the appliance. Vitroceramic glass is very resistant to high temperature and overheating. If there is residual heat stored in the appliance, the temperature indications light will be lit. In order to avoid burns, let the appliance cool down.

Remove all spilled food and fat with a metallic scraper. Then wipe the hob with a suitable washing up liquid and a clean damp cloth. Rub the appliance using a clean dry cloth.

If aluminium foil or plastic items accidentally melt on the hob surface, they should be immediately removed from the hot cooking area with a scraper. This will avoid any possible damage to the surface. This also applies to sugar or food containing sugar that may be spilled on the hob.

In the event of other food melting on the hob surface, remove the dirt when the appliance has cooled down. Use cleaner for glass ceramic or stainless steel when cleaning the surface.

Do not use dishcloths or abrasive sponges to clean the vitroceramic surface. These materials may damage the surface.

Do not use chemical detergents, sprays or spot removers on the vitroceramic surface. These materials may cause fire or vitroceramic color fade. Clean with water and washing up liquid only.

Technical Specifications

Customer Helpline **0345 257 7271**

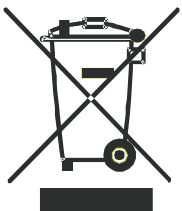
Model/Item	A60CK
Power supply	(230)V~
Maximum working current	26
Maximum power	6000 Watt
Size(H x W x D)	41x590x520 mm
Cut-Out Dimensions(W x D)	560x490 mm
Net weight	9,5 kg.

We apologise for any inconvenience caused by minor inconsistencies in these instructions that may occur as a result of product improvements and development.



We apologise for any inconvenience caused by any minor inconsistencies in these instructions , which may occur as a result of product improvemenst and development.

Disposal information



The symbol on the product or on its packaging indicates that this product may not be treated as household waste. Instead it shall be handed over to the applicable collection point for the recycling of electrical and electronic equipment.

By ensuring this product is disposed of correctly, you will help prevent potential negative consequences for the environment and human health, which could otherwise be caused by inappropriate waste handling of this product. For more detailed information about recycling of this product, please contact your local city office, your household waste disposal service or the shop where you purchased the product.

Guarantee



Product Guarantee

This product is guaranteed against manufacturing defects for a period of



This product is guaranteed for twelve months from the date of original purchase. Any defect that arises due to faulty materials or workmanship will either be replaced, refunded or repaired free of charge where possible during this period by the dealer from whom you purchased the unit.

The guarantee is subject to the following provisions:

- The guarantee does not cover accidental damage, misuse, cabinet parts, knobs or consumable items.
- The product must be correctly installed and operated in accordance with the instructions contained in this manual.
- It must be used solely for domestic purpose.
- The guarantee will be rendered invalid if the product is re-sold or has been damaged by inexpert repair.
- Specifications are subject to change without notice.
- The manufacturer disclaims any liability for the incidental or consequential damages.
- The guarantee is in addition to, and does not diminish your statutory or legal rights.
- In the event of a problem with the product with in the guarantee period call the Customer Helpline: 0345 257 7271.

Guarantor: Argos Ltd
489 - 499 Avebury Boulevard
Central Milton Keynes
MK9 2NW

52166494 04/15 R001