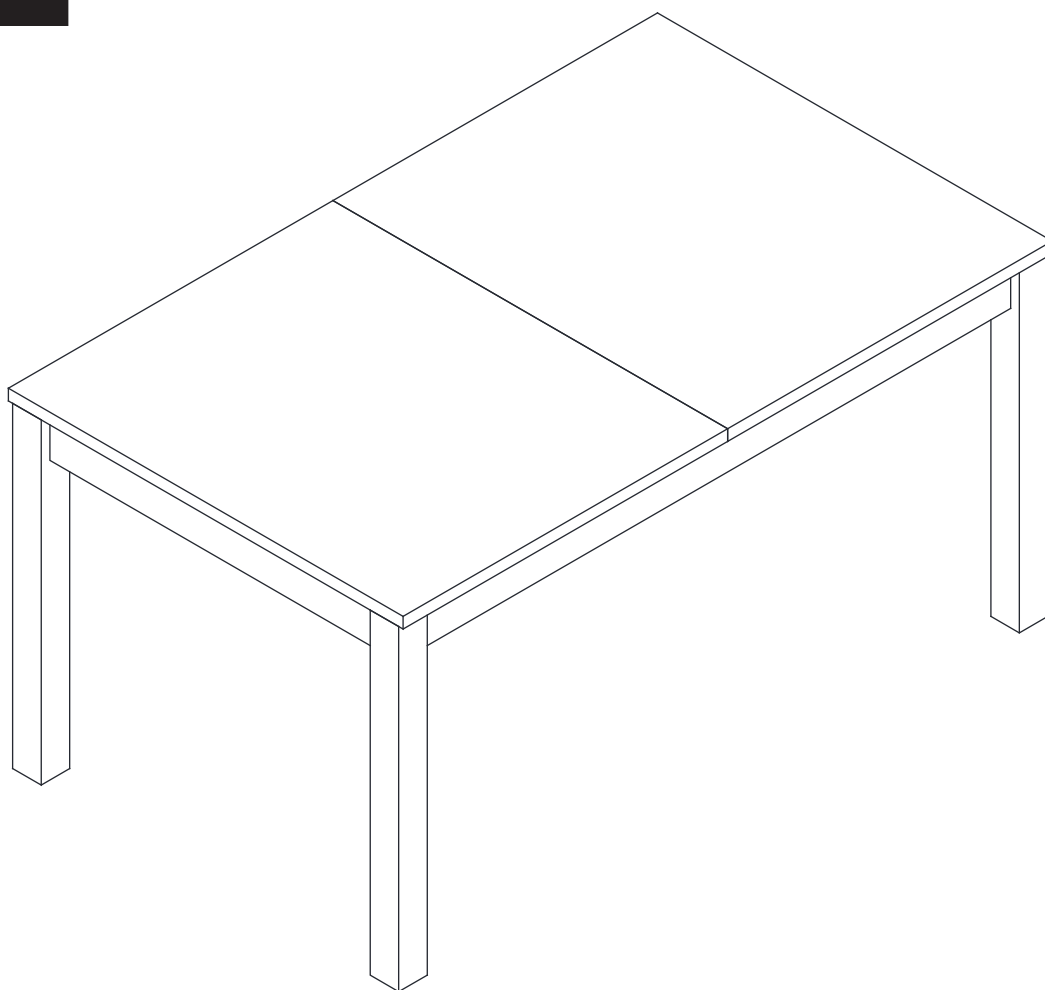


# bromfield extendable table

Assembly Instructions - Please keep for future reference

228/5548



## Dimensions

Width - 190cm

Depth - 90cm

Height - 75cm

**Important – Please read these instructions fully before starting assembly**

If you need help or have damaged or missing parts, call the **Customer Helpline:**  
**Argos = 0845 6400800**



# Safety and Care Advice

**Important** – Please read these instructions fully before starting assembly

- Check you have all the components and tools listed on the following pages.
- Remove all fittings from the plastic bags and separate them into their groups.
- Keep children and animals away from the work area, small parts could choke if swallowed.
- Make sure you have enough space to layout the parts before starting.

- During assembly do not stand or put weight on the product, this could cause damage.
- Assemble the item as close to its final position (in the same room) as possible.
- Assemble on a soft level surface to avoid damaging the unit or your floor.
- Parts of the assembly will be easier with 2 people.



- To reduce the likelihood of damaging your product please ensure that your power drill is set on a low torque setting.

## Care and maintenance

- Only clean using a damp cloth and mild detergent, do not use bleach or abrasive cleaners.
- From time to time check that there are no loose screws on this unit.
- This product should not be discarded with household waste. Take to your local authority waste disposal centre.

## Handy Hints

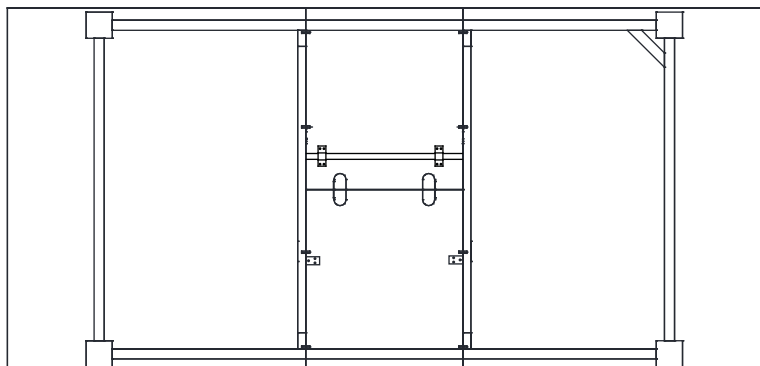
- Assemble all parts and bolts loosely during assembly, only once the product is complete should you fully tighten the bolts
- Regularly check and ensure that all bolts and fittings are tightened properly.

**Note:** if required the next page can be cut out and used as reference throughout the assembly. Keep this page with these instructions for future reference.

# Components - Panels

If you have damaged or missing components, call the  
Customer Helpline: Argos = 0845 6400800

Please check you have all the panels listed below



**1** Top (190 x 90cm)



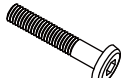

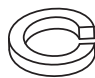


**2** Leg (6.5 x 72.5cm)



# Components - Fittings

Please check you have all the fittings listed below

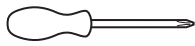
**Note:** The quantities below are the correct amount to complete the assembly. In some cases more fittings may be supplied than are required.

<b>A</b>  80mm Bolt x 8	<b>B</b>  Washer x 8	<b>C</b>  Spring washer x 8
<b>D</b>  Hex key x 1	<b>E</b>  Felt x 2	

## Tools required



Ruler/tape



Phillips screwdriver  
(medium & large)

**Ruler** - Use this ruler to help correctly identify the screws

0 5 10 15 20 25 30 35 40 45 50 55 60 65 70 75 80 85 90 95 100 105 110 115 120 125 130 135 140 145 150 155 160 165 170



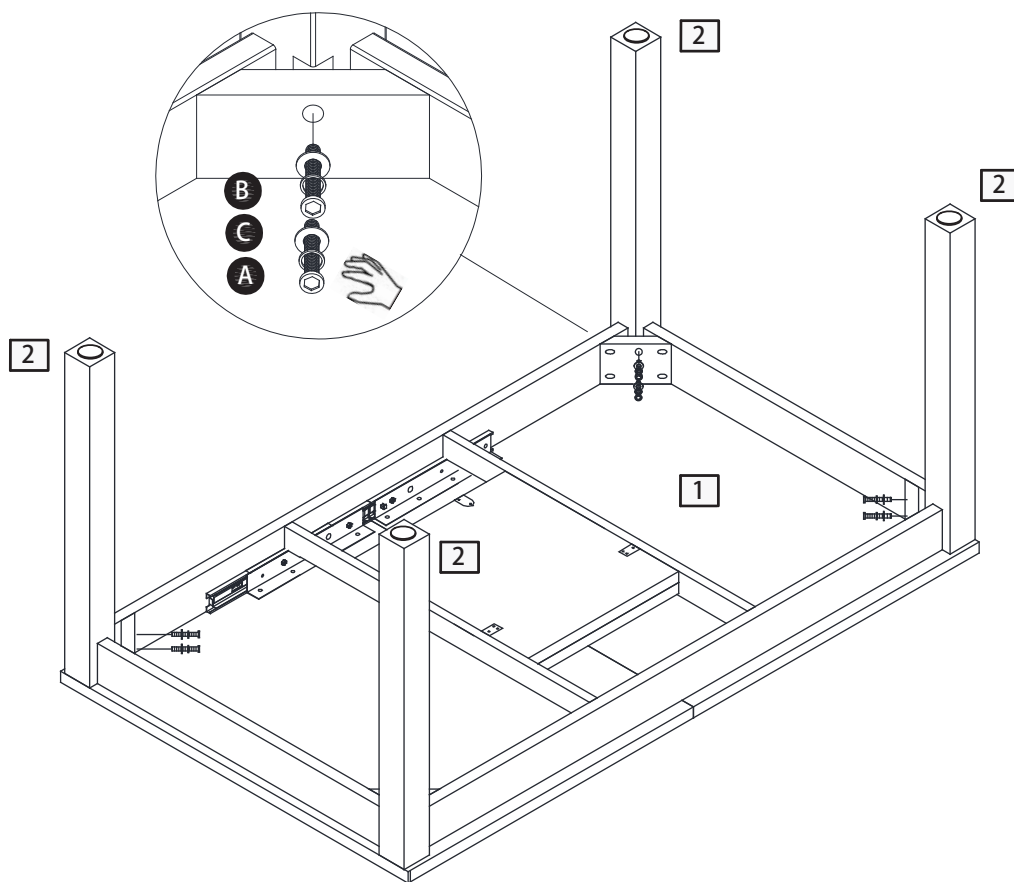
The screws length is measured from the head to the point (30mm screw shown).

# Assembly Instructions

## Step 1

### Attaching legs

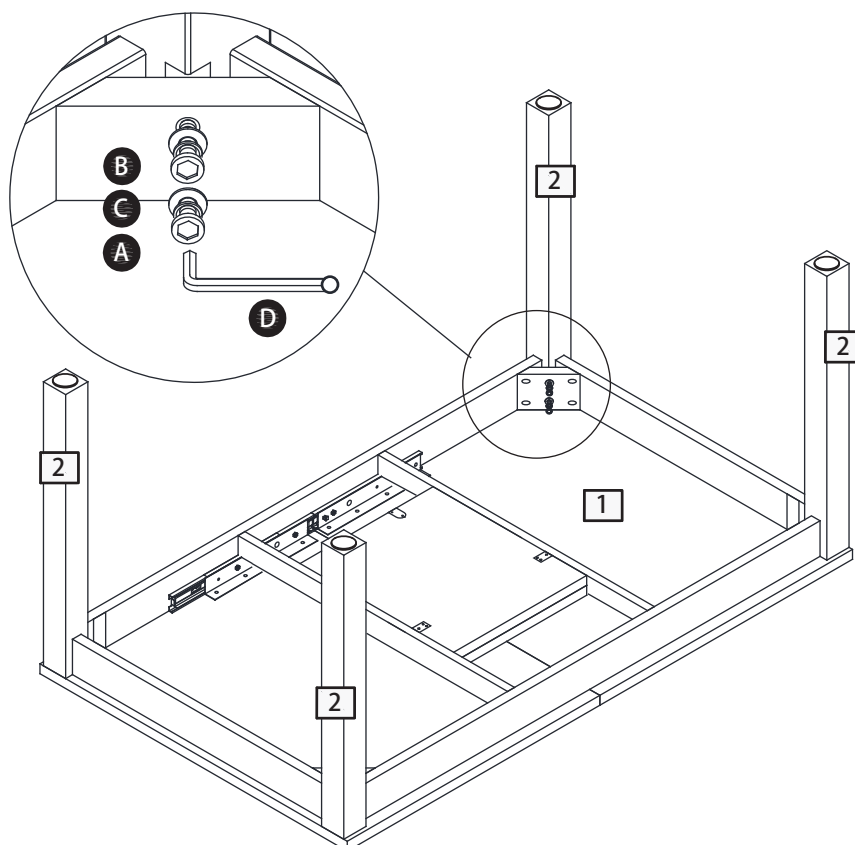
Attach four legs **2** to top **1** using washer **B**, spring washer **C** and bolt **A**. Tighten the bolts with hand.



## Step 2

### Attaching legs

Tighten the bolts with the hex key **D**.

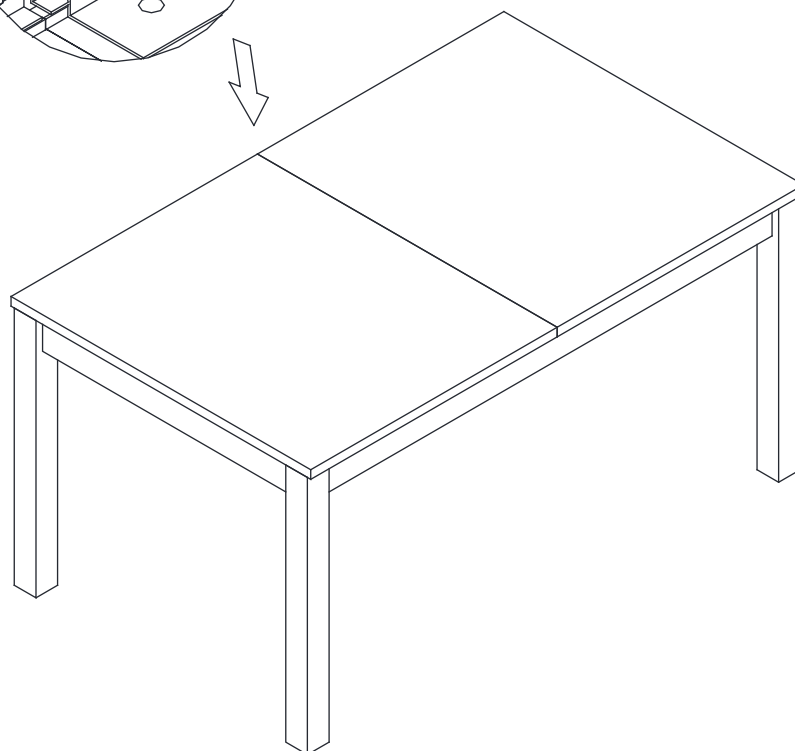
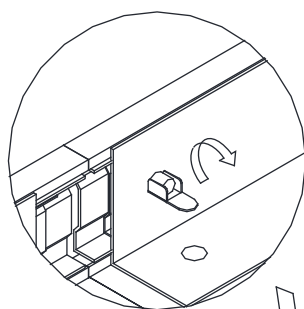


# Assembly Instructions

## Step 3

### Extension panel

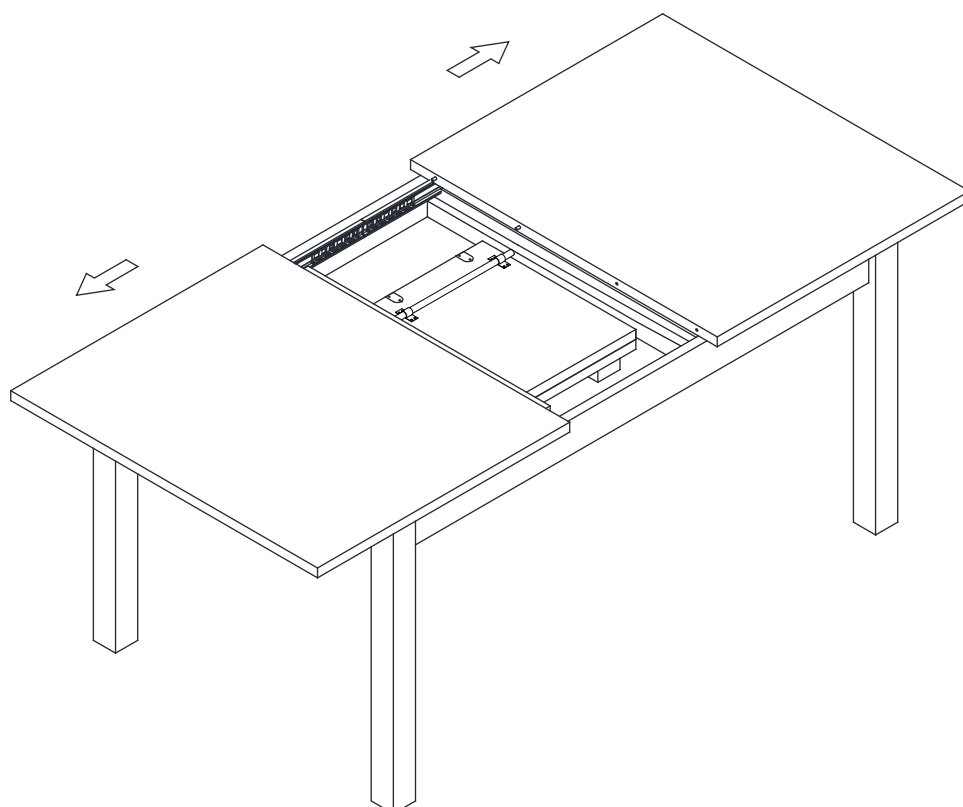
Open the lock.



## Step 4

### Extension panel

Pull the top apart.

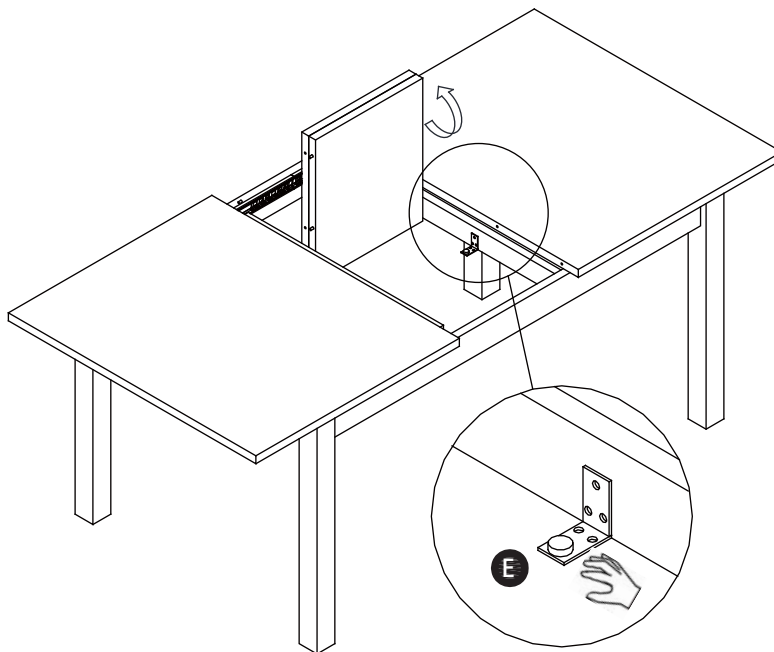


# Assembly Instructions

## Step 5

### Extension panel

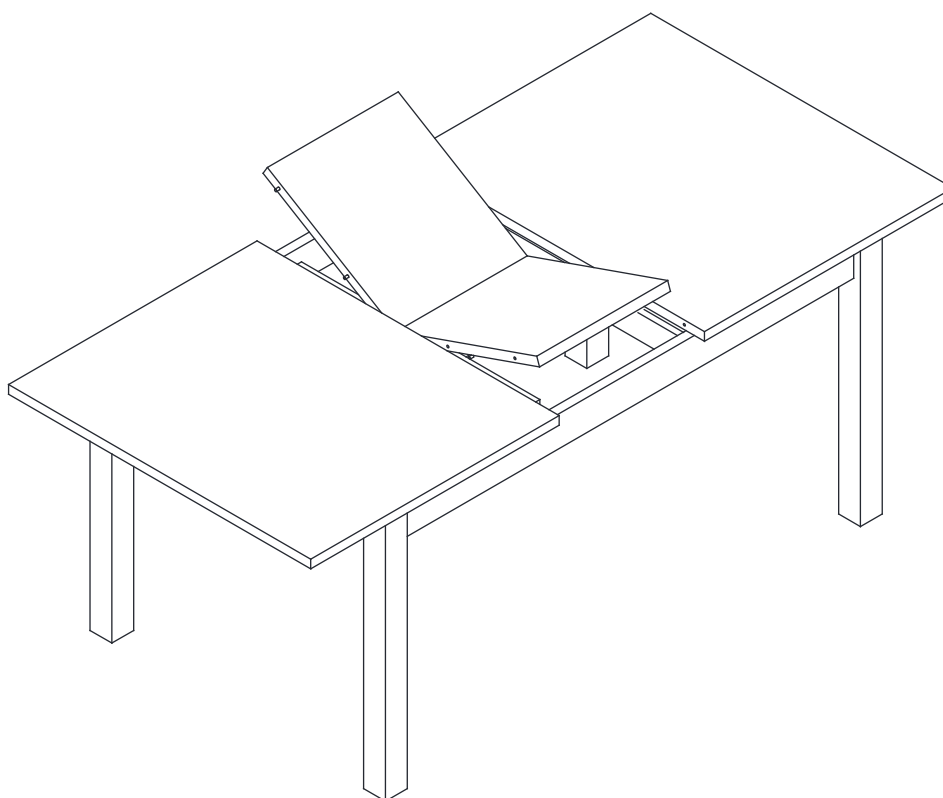
Attach the felt **E** on the L metal by hand.



## Step 6

### Extension panel

Fold up the extension.

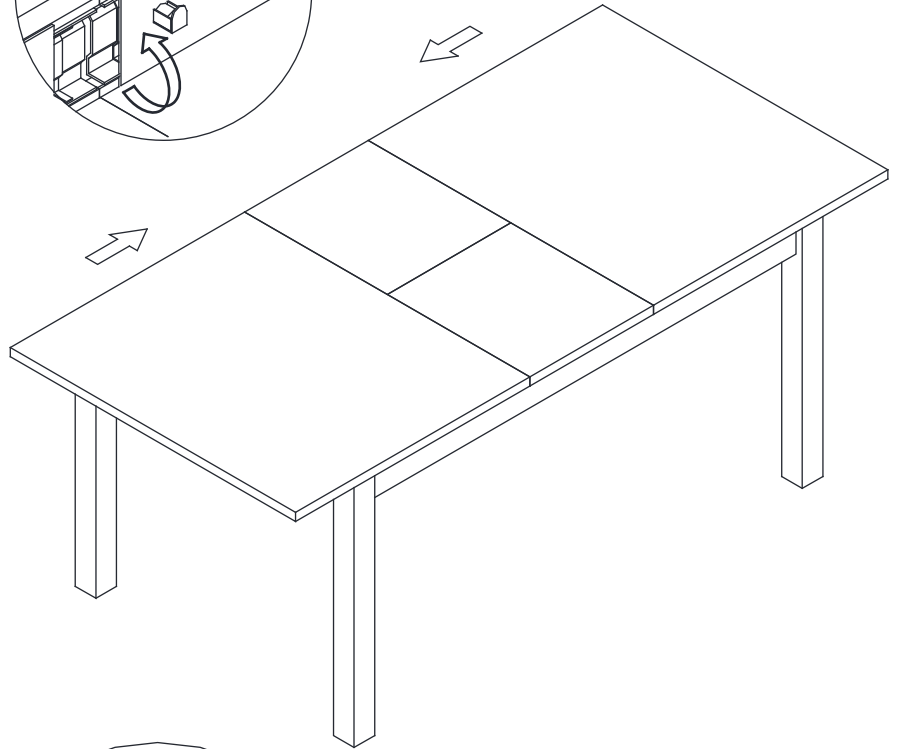
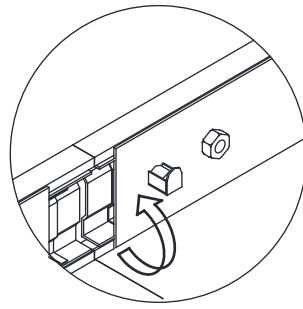


# Assembly Instructions

## Step 7

### Extension panel

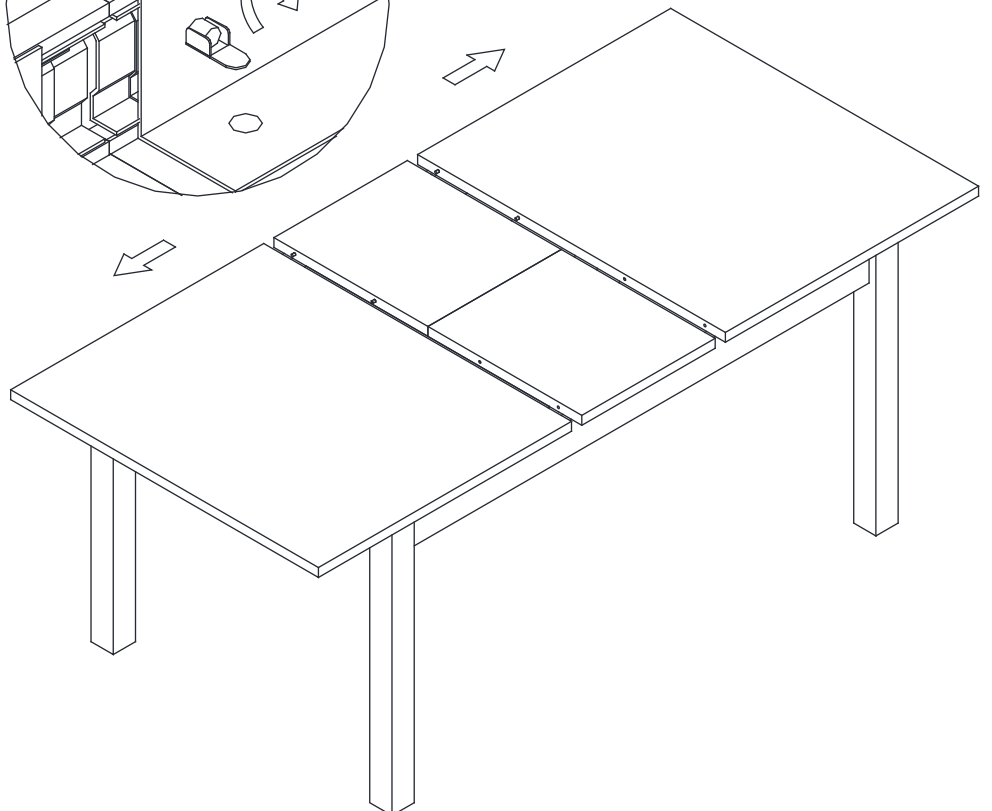
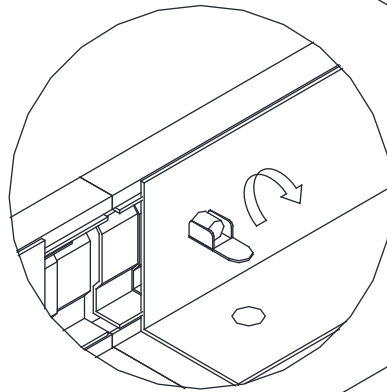
Pull the table tops together and close the lock.



## Step 8

### Extension panel

Open the lock and pull the table tops apart.



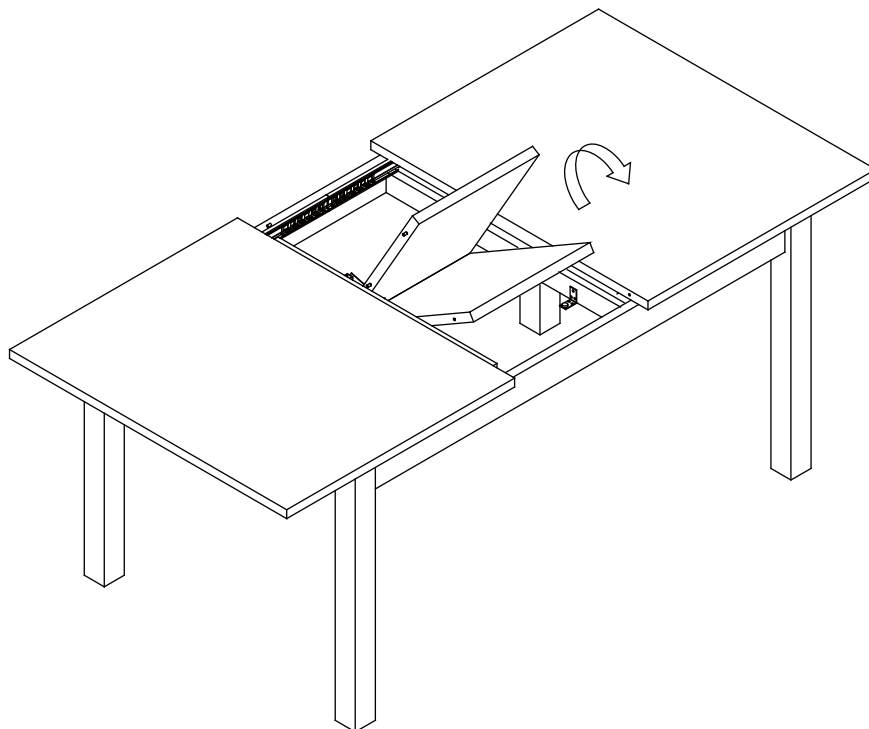


# Assembly Instructions

## Step 9

### Extension panel

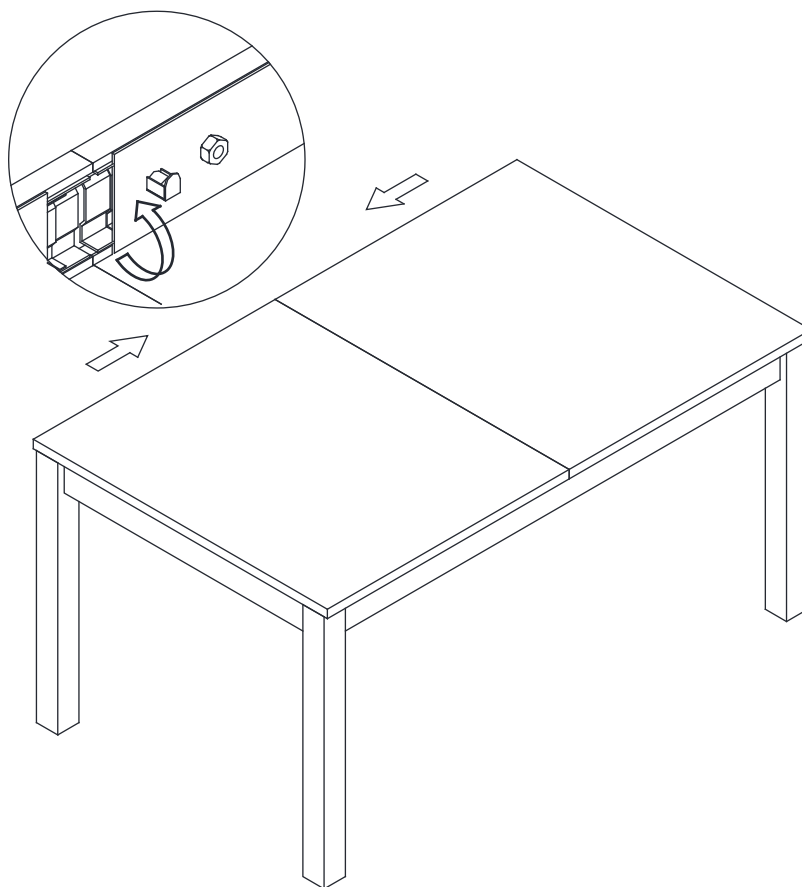
Fold down the extension.



## Step 10

### Extension panel

Pull the table together and close the lock.



**Assembly is complete.**

If you need help or have damaged or missing parts, call the **Customer Helpline:**  
**Argos = 0845 6400800**

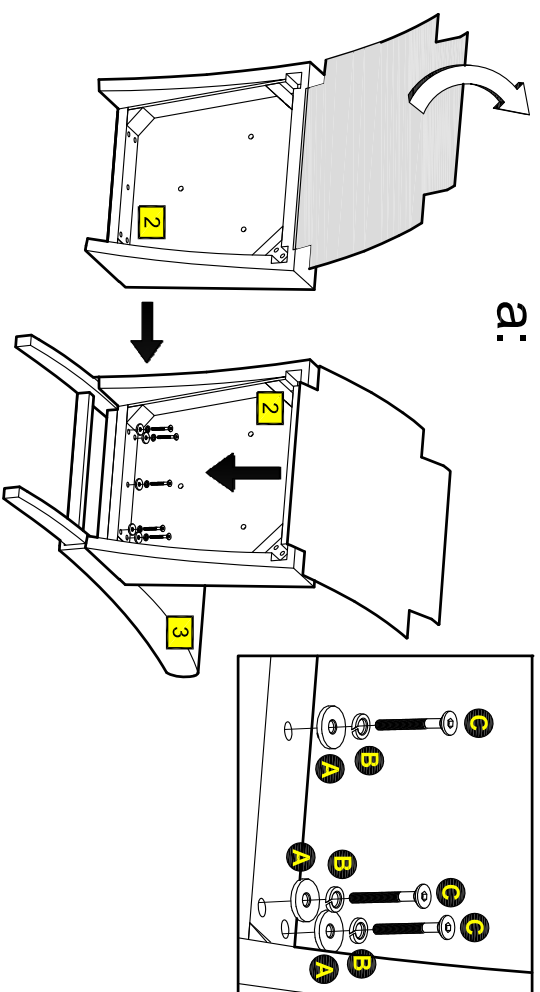
# Assembly Instructions

## Step 1

### Chair assembly

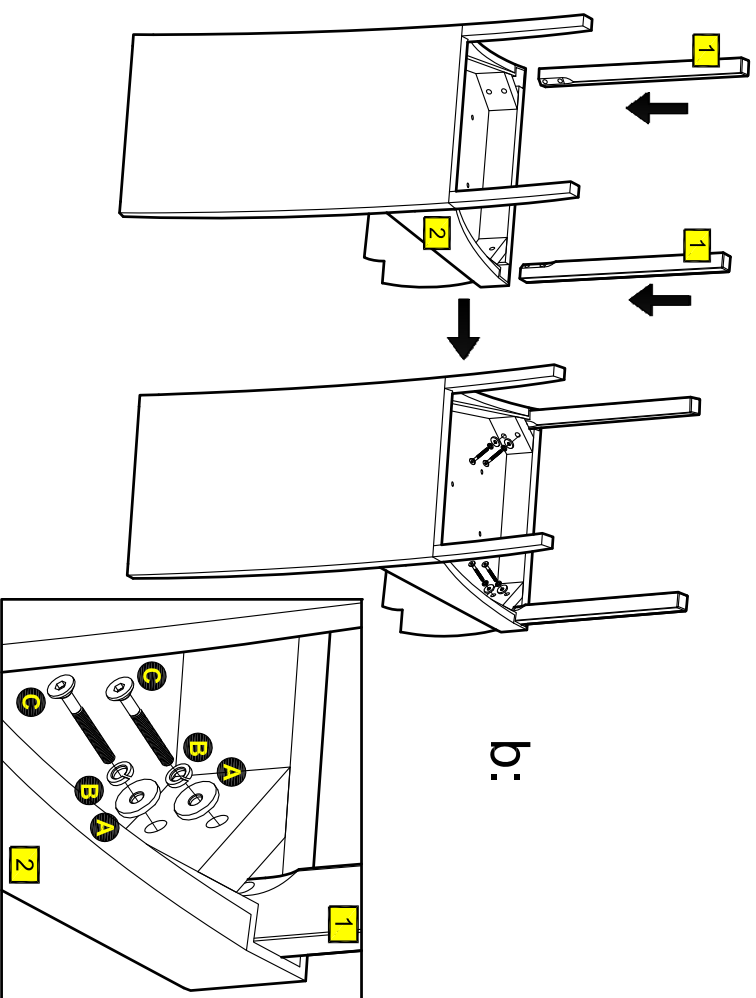
**a:** Open the underside of the padded Seat **2** as shown in the picture.

Fix the Seat **2** and the Backrest **3** with the 5 Screws **C** through Washers **B** and **A**, using the Imbus key supplied.

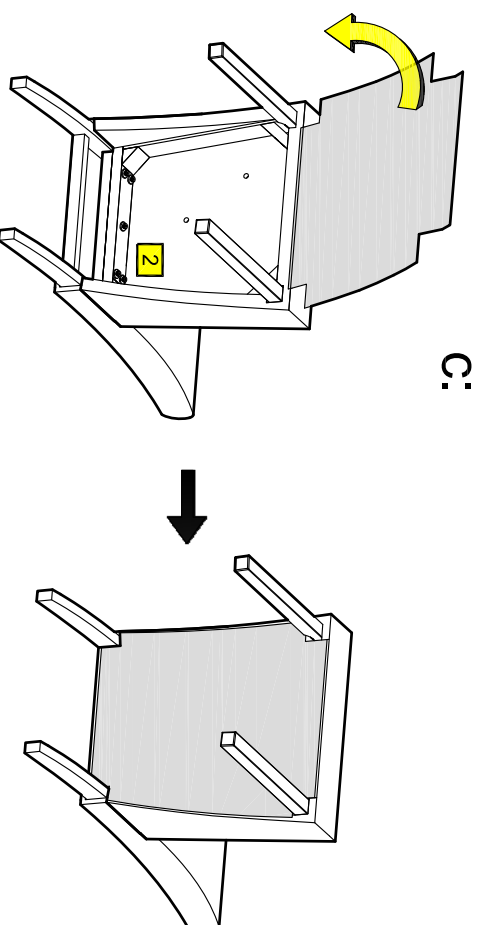


**b:** Insert the Leg **1** into the Seat **2**. Fix the leg with 2 Screws **C** through Washers **B** and **A**, using the Imbus key supplied.

Make the same for the other leg.



**c:** Close the bottom of the seat **2** as shown in picture.



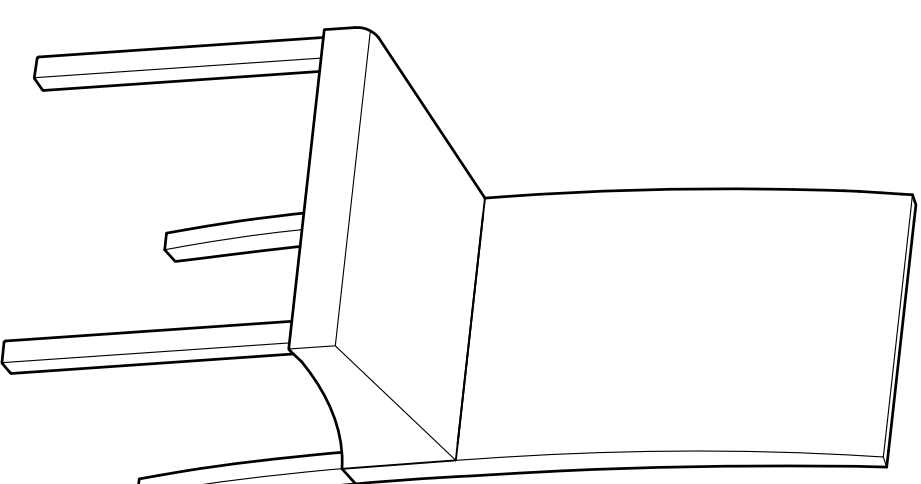
**Assembly is complete.**

# Skirted Chair

Assembly Instructions - Please keep for future reference



259 / 3955  
247 / 6728  
248 / 2262



### Dimensions

Width - 45cm  
Depth - 53cm  
Height - 95cm

**Important - Please read these instructions fully before starting assembly**

If you need help or have damaged or missing parts, call the Customer Helpline:  
**Argos = 0835 6400800**

# ⚠ Safety and Care Advice

## Important - Please read these instructions fully before starting assembly

- We suggest you spend a short time reading through this leaflet and follow the simple step by step assembly instructions.
- Do not discard any of the packaging until you have checked that you have all the parts and the pack of fittings.
- Assemble this product on a flat surface.
- Assemble all parts loosely before tightening any bolts.
- Discard all extra fittings and keep fittings out of reach of children.
- Unit weight: 5kgs.
- Retain Assembly Instructions for future reference.
- We do not recommend the use of power drill/drivers for inserting screws as this could damage the unit.
- Only use hand screwdrivers.
- Dispose of all packaging carefully and responsibly.



## Warnings

- This product should only be used on firm, level ground.
- Do not use any abrasive materials when cleaning.
- From time to time check that there are no loose bolts on this unit.

## Care and maintenance

### IMPORTANT MAINTENANCE AND CLEANING INFORMATION DO NOT REMOVE (CARING FOR YOUR PRODUCT)

Outlined below are general care instructions that will prolong the look and life by preventing wear and damage.

**PLEASE NOTE THAT THE MANUFACTURER IS NOT LIABLE FOR ANY DEFECTS CAUSED BY MISUSE, NON COMPLIANCE WITH THESE INSTRUCTIONS**

PU - PVC etc.

#### General Care Advice

- Dust regularly with a clean dry cloth.
- Wipe up any liquid spills immediately with a damp cloth and then dry the surface with a clean dry duster.
- Repeat this procedure for periodic cleaning.
- Solid spills (Butter, Food & Mud) - Remove excess with a blunt Knife before dabbing to clean stains.
- The use of furniture polish or spray is not necessary or recommended.

#### What Not To Do - Do Not Soak

- Never rub or scrub with a wet cloth to remove spills or stains as this could remove colour.
- Do not use washing up liquid, detergents, or bleach to remove stains.

#### Cleaning:

We recommend Professional Cleaning only for this product, to prevent excessive build-up of dirt and soiling.

#### Sunlight and Heat

- Direct sunlight or heat can cause fabrics to deteriorate or fade - Place your furniture out of the way of prolonged direct light.
- Reduce exposure by moving items around or changing position so that the same piece of area is not always exposed.
- Avoid placing furniture too close to fires or radiators

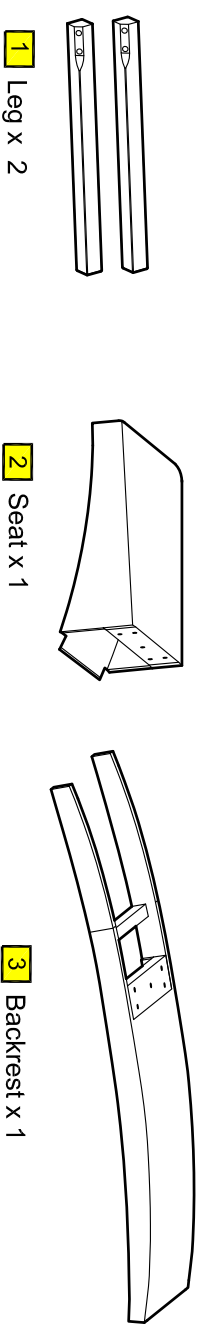
#### Beware of Sharp objects

Sharp objects such as buckles and jewellery can easily snag on the fabric and produce tears and marks in the fabric.

# Components - Parts

If you have damaged or missing components, call the Customer Helpline: Argos = 0835 6400800

## Please check you have all the parts listed below



**1** Leg x 2

**2** Seat x 1

**3** Backrest x 1

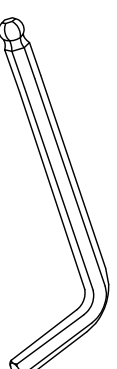
# Components - Fittings

## Please check you have all the parts listed below

**Note:** the quantities below are the correct amount to complete the assembly. In some cases more fittings may be supplied than are required.

<b>A</b>		<b>B</b>		<b>C</b>	
	M6x18 Plain Washer x 9		M6 Lock Washer x 9		M6x60mm Bolt x 9

## Please check you have all the parts listed below



4mm Allen key x 1 (Supplied)

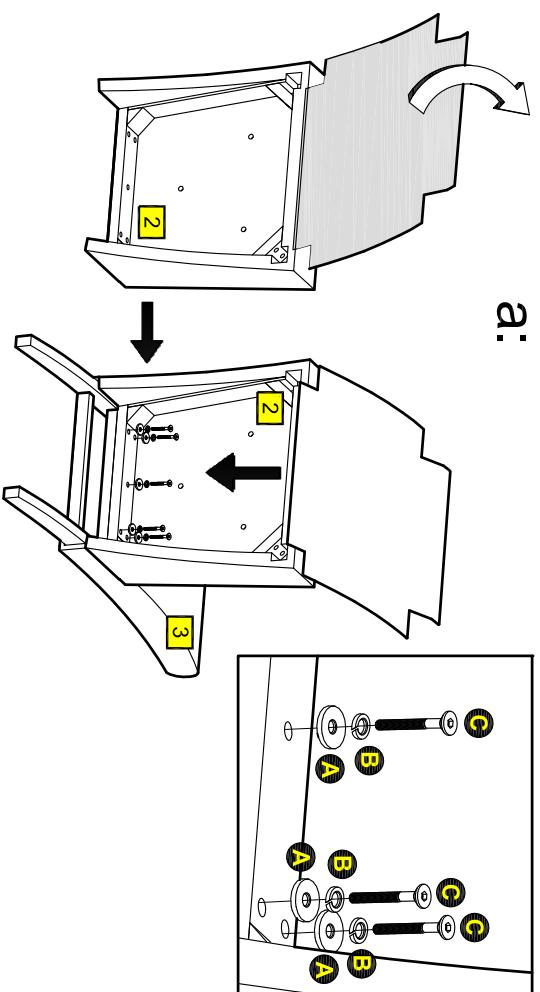
# Assembly Instructions

## Step 1

### Chair assembly

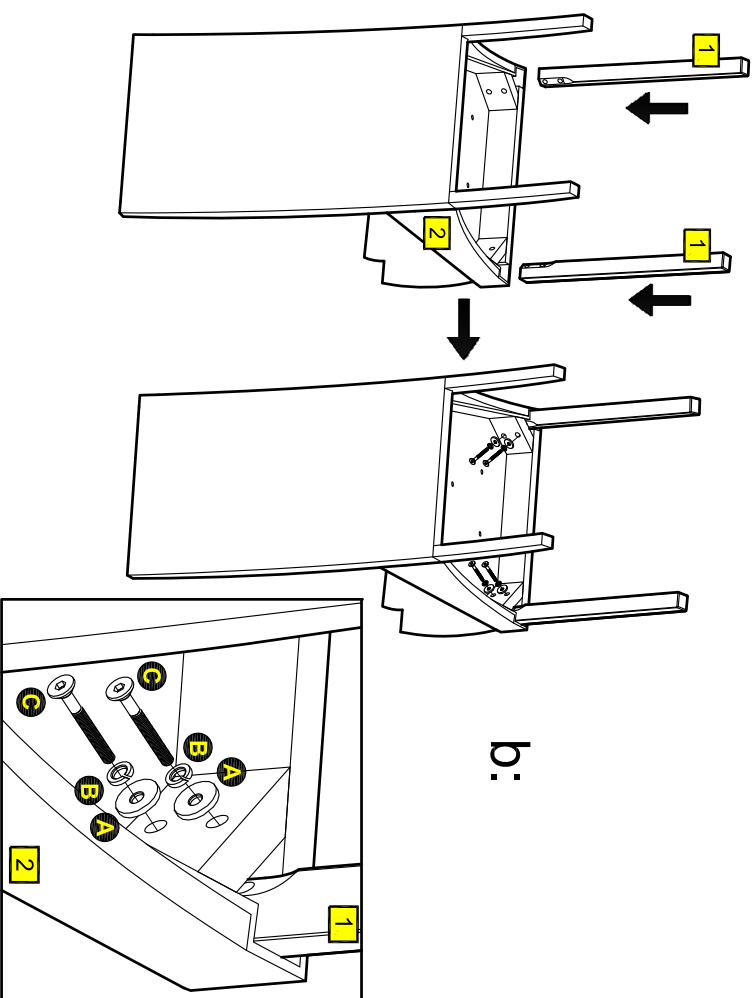
**a:** Open the underside of the padded Seat **2** as shown in the picture.

Fix the Seat **2** and the Backrest **3** with the 5 Screws **C** through Washers **B** and **A**, using the Imbus key supplied.

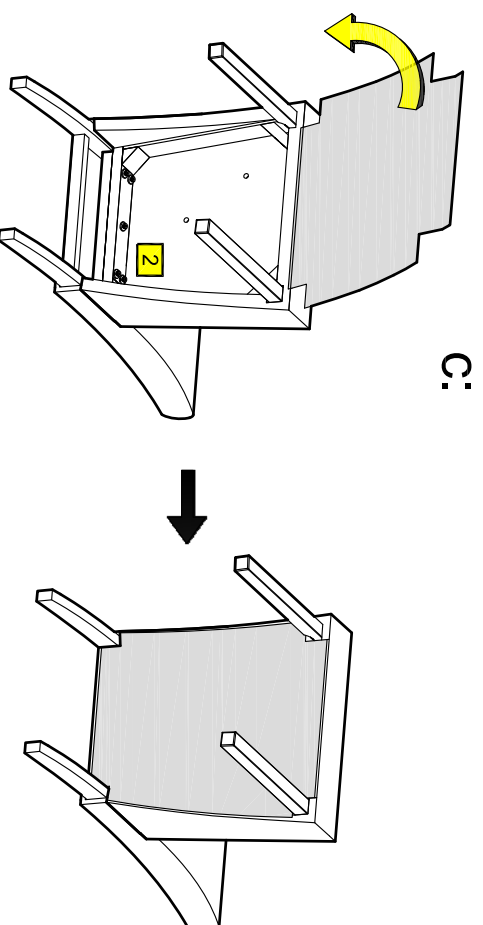


**b:** Insert the Leg **1** into the Seat **2**. Fix the leg with 2 Screws **C** through Washers **B** and **A**, using the Imbus key supplied.

Make the same for the other leg.



**c:** Close the bottom of the seat **2** as shown in picture.



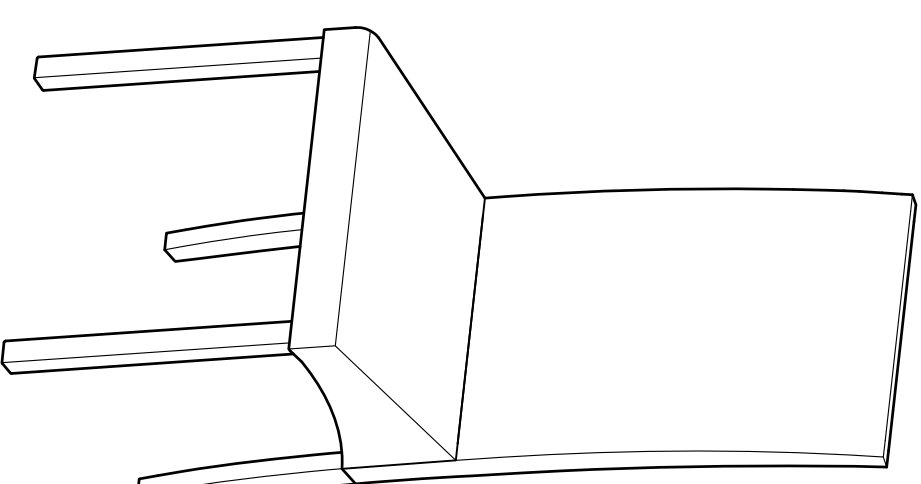
**Assembly is complete.**

# Skirted Chair

Assembly Instructions - Please keep for future reference



259 / 3955  
247 / 6728  
248 / 2262



### Dimensions

Width - 45cm  
Depth - 53cm  
Height - 95cm

**Important - Please read these instructions fully before starting assembly**

If you need help or have damaged or missing parts, call the Customer Helpline:

Argos = 0835 6400800

# ⚠ Safety and Care Advice

## Important - Please read these instructions fully before starting assembly

- We suggest you spend a short time reading through this leaflet and follow the simple step by step assembly instructions.
- Do not discard any of the packaging until you have checked that you have all the parts and the pack of fittings.
- Assemble this product on a flat surface.
- Assemble all parts loosely before tightening any bolts.
- Discard all extra fittings and keep fittings out of reach of children.
- Unit weight: 5kgs.
- Retain Assembly Instructions for future reference.
- We do not recommend the use of power drill/drivers for inserting screws as this could damage the unit.
- Only use hand screwdrivers.
- Dispose of all packaging carefully and responsibly.



## Warnings

- This product should only be used on firm, level ground.
- Do not use any abrasive materials when cleaning.
- From time to time check that there are no loose bolts on this unit.

## Care and maintenance

### IMPORTANT MAINTENANCE AND CLEANING INFORMATION DO NOT REMOVE (CARING FOR YOUR PRODUCT)

Outlined below are general care instructions that will prolong the look and life by preventing wear and damage.

**PLEASE NOTE THAT THE MANUFACTURER IS NOT LIABLE FOR ANY DEFECTS CAUSED BY MISUSE, NON COMPLIANCE WITH THESE INSTRUCTIONS**

PU - PVC etc.

#### General Care Advice

- Dust regularly with a clean dry cloth.
- Wipe up any liquid spills immediately with a damp cloth and then dry the surface with a clean dry duster.
- Repeat this procedure for periodic cleaning.
- Solid spills (Butter, Food & Mud) - Remove excess with a blunt Knife before dabbing to clean stains.
- The use of furniture polish or spray is not necessary or recommended.

#### What Not To Do - Do Not Soak

- Never rub or scrub with a wet cloth to remove spills or stains as this could remove colour.
- Do not use washing up liquid, detergents, or bleach to remove stains.

#### Cleaning:

We recommend Professional Cleaning only for this product, to prevent excessive build-up of dirt and soiling.

#### Sunlight and Heat

- Direct sunlight or heat can cause fabrics to deteriorate or fade - Place your furniture out of the way of prolonged direct light.
- Reduce exposure by moving items around or changing position so that the same piece of area is not always exposed.
- Avoid placing furniture too close to fires or radiators

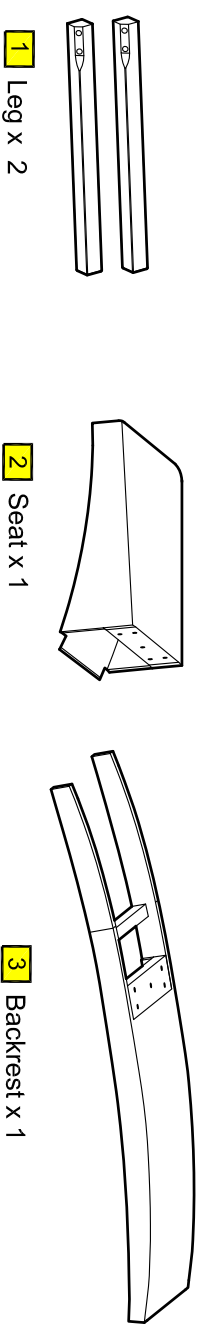
#### Beware of Sharp objects

Sharp objects such as buckles and jewellery can easily snag on the fabric and produce tears and marks in the fabric.

# Components - Parts

If you have damaged or missing components, call the Customer Helpline: Argos = 0835 6400800

## Please check you have all the parts listed below



**1** Leg x 2

**2** Seat x 1

**3** Backrest x 1

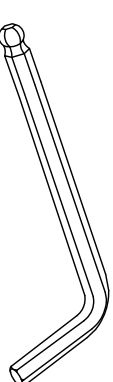
# Components - Fittings

## Please check you have all the parts listed below

**Note:** the quantities below are the correct amount to complete the assembly. In some cases more fittings may be supplied than are required.

<b>A</b>		<b>B</b>		<b>C</b>	
	M6x18 Plain Washer x 9		M6 Lock Washer x 9		M6x60mm Bolt x 9

## Please check you have all the parts listed below



4mm Allen key x 1 (Supplied)