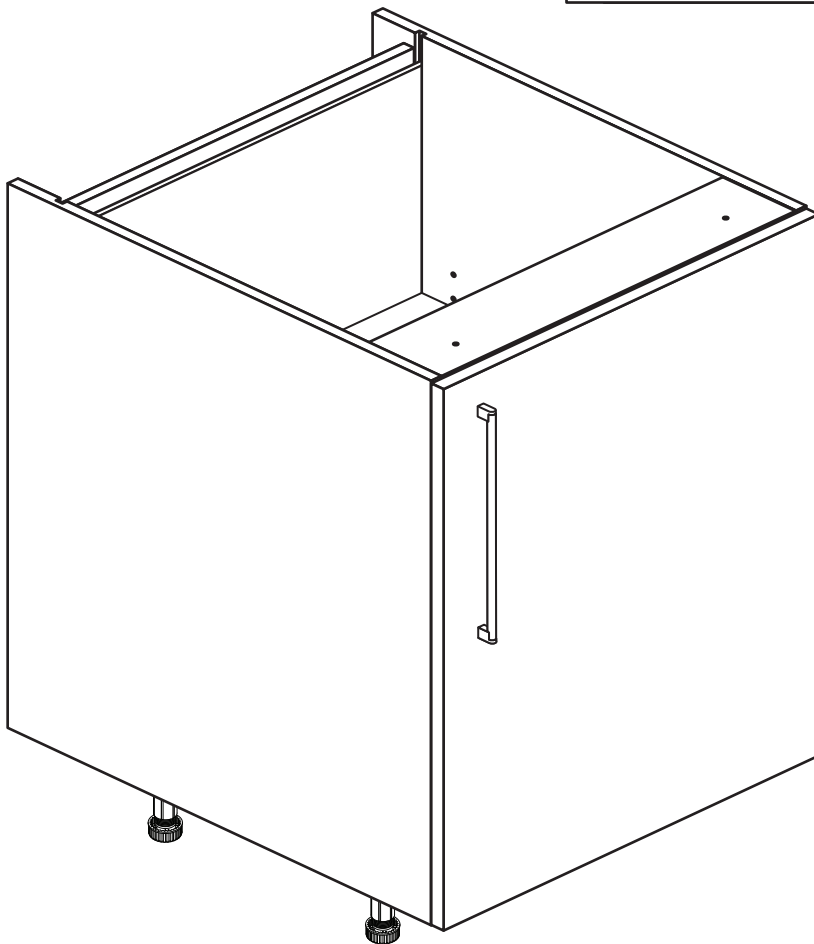


# Valencia - 500mm Base Cabinet

Assembly Instructions - Please keep for future reference

**hygena**

Cabinet	656/5776
Black Door Pack	633/2882
Cream Door Pack	633/2710
Oak Door Pack	205/4009
White Gloss Door Pack	633/2806
White HN Door Pack	192/3722



## Dimensions

Width - 50cm

Depth - 59cm

Height - 87cm



**MADE IN  
BRITAIN**

**Important** - Please read these instructions fully before starting assembly

If you need help or have damaged or missing parts, call the **Customer Helpline: 08456 400800**



# Safety and Care Advice

**Important - Please read these instructions fully before starting assembly**

- **Warning:** This unit weighs approximately 16.5kgs. Please lift with care.

- Check you have all the components and tools listed on pages 1, 2 and 3.

- Remove all fittings from the plastic bags and separate them into their groups.

- Keep children and animals away from the work area, small parts could choke if swallowed.

- Parts of the assembly will be easier with 2 people.

- Make sure you have enough space to layout the parts before starting.

- Do not stand or put weight on the product, this could cause damage.

- Assemble the item as close to its final position (in the same room) as possible.

- Assemble on a soft level surface to avoid damaging the unit or your floor (use opened out unit carton).



- We do not recommend the use of power drill/drivers **for inserting screws**, as this could damage the unit. Only use hand screwdrivers.

- **Safety note:** It is recommended that this unit is secured to a wall using the brackets supplied.

- Dispose of all packaging carefully and responsibly.

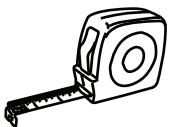
## Care and maintenance

- Only clean using a damp cloth and mild detergent, do not use bleach or abrasive cleaners.

- From time to time check that there are no loose screws on this unit.

- This product should not be discarded with household waste. Take to your local authority waste disposal centre.

## Tools required



Rule



Cross-head screwdriver



Scissors



Hammer



Eye protection (when using a hammer or drill)



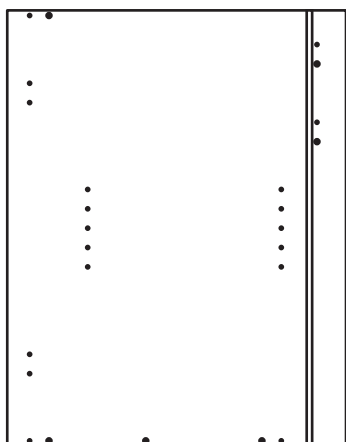
Electric drill

**Note:** If required the next page can be cut out and used as reference throughout the assembly. Keep this page with these instructions for future reference.

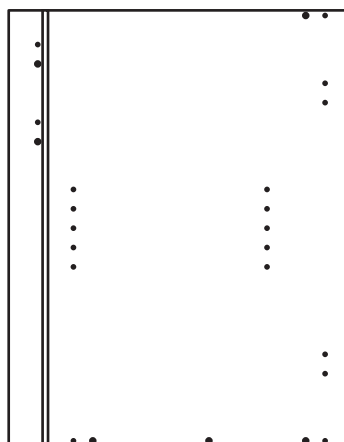
# Components - Panels

If you have damaged or missing components, call the **Customer Helpline: 08456 400800** quoting the reference numbers below

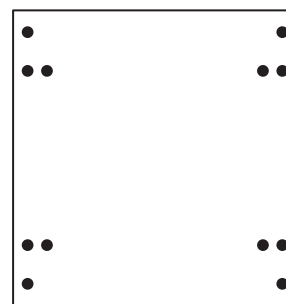
Please check you have all the panels listed below



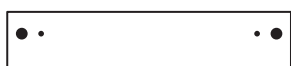
**1** Left Side (DPF068A)  
(720 x 560mm)



**2** Right Side (DPF069A)  
(720 x 560mm)



**3** Base (DPF074A)  
(469 x 494mm)



**4** Cross Rail (DPF076A)  
(469 x 96mm) x 2



**5** Loose Shelf (DPF075A)  
(468 x 431mm)



**6** Back (DPF077A)  
(479 x 680mm)



**7** Door (DPF147B)  
(497 x 716mm)


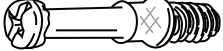




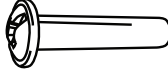

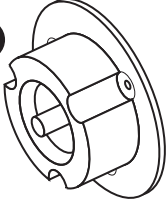
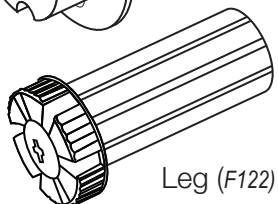
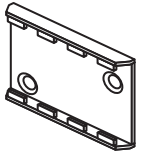
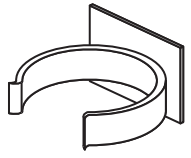

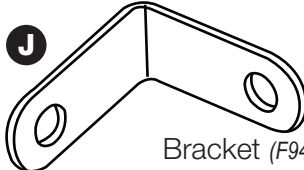


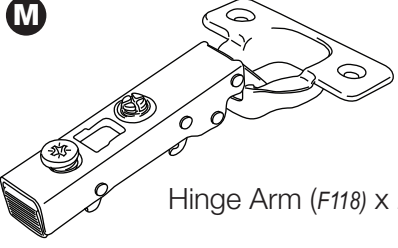
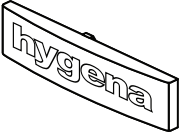
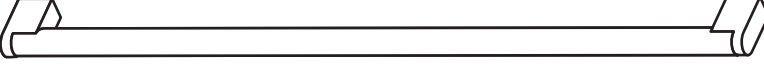



# Components - Fittings

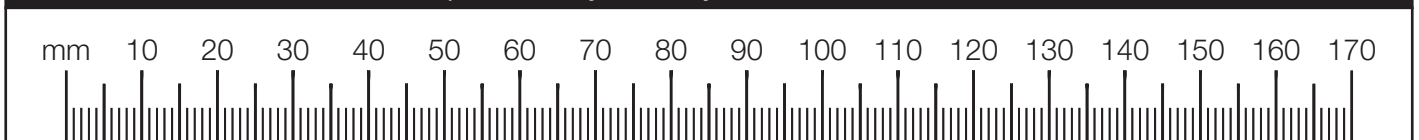
If you have damaged or missing components, call the **Customer Helpline: 08456 400800** quoting the reference numbers below

Please check you have all the fittings listed below

**Note:** The quantities below are the correct amount to complete the assembly. In some cases more fittings may be supplied than are required.

<p><b>A</b> </p> <p>Wooden dowel (F22) x 10</p>	<p><b>B</b> </p> <p>Metal dowel (F901) x 8</p>	<p><b>C</b> </p> <p>Large locking nut (F900) x 8</p>
<p><b>D</b> </p> <p>13mm Screw (F63) x 4</p>	<p><b>E</b> </p> <p>13mm Screw (F79) x 6</p>	<p><b>F</b> </p> <p>25mm Screw (F50) x 5</p>
<p><b>G</b> </p> <p>Connecting Sleeve (F432) x 2</p>	<p><b>H</b> </p> <p>19mm Connecting bolt (F461) x 2</p>	<p><b>I a</b> </p> <p>Leg Socket (F120) x 4</p> <p><b>I b</b> </p> <p>Leg (F122) x 4</p> <p><b>I c</b> </p> <p>Leg Bracket (F127) x 2</p> <p><b>I d</b> </p> <p>Leg Clip (F128) x 2</p> <p><b>I e</b> </p> <p>16mm Screw (F129) x 16</p>
<p><b>J</b> </p> <p>Bracket (F945) x 4</p>	<p><b>K</b> </p> <p>Shelf support (F110) x 4</p>	
<p><b>L</b> </p> <p>Hinge Plate (F117) x 2</p>	<p><b>M</b> </p> <p>Hinge Arm (F118) x 2</p>	
<p><b>N</b> </p> <p>Hinge Cover (F119) x 2</p>		
<p><b>O a</b> </p> <p>Handle (F214) x 1</p> <p><b>O b</b> </p> <p>25mm Screw (F132) x 2</p>		

Ruler - Use this ruler to help correctly identify the screws



# Assembly Instructions

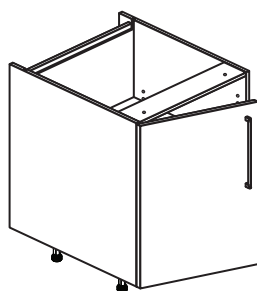
If you have damaged or missing components, call the  
**Customer Helpline: 08456 400800** quoting the reference  
numbers below

## Step 1

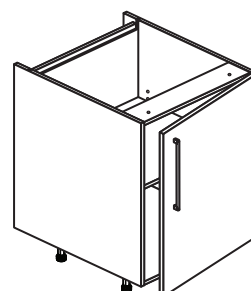
### Choose which way you would like the door to open

You can fit the door to the left side or right side.

If you would like your door to open this way, fit the hinge plates to the left side



If you would like your door to open this way, fit the hinge plates to the right side



## Step 2

### Prepare the left side

Refer to step 1 and, if required, fit 2 hinge plates **L** onto the left side **1**, making sure that the slot is facing towards the front edge.

Screw 4 metal dowels **B** into the holes shown on the left side **1**.

**Note:** Tighten metal dowels up fully against the panels.

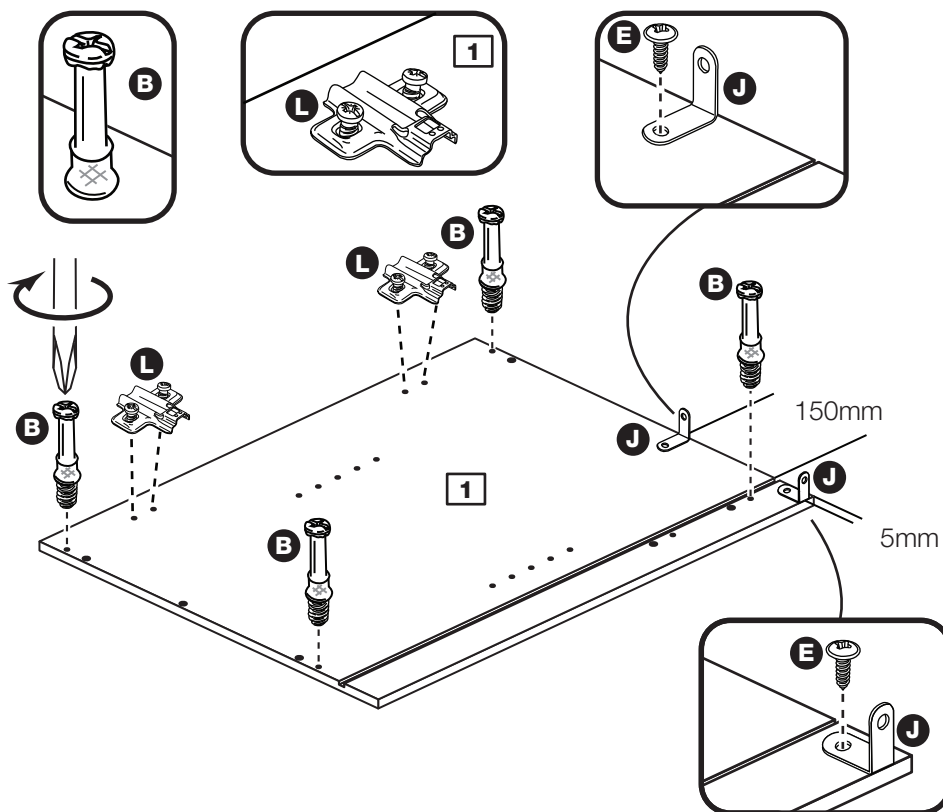
Fit a bracket **J** flush to the top edge of the left side **1**, about 150mm in from the groove, see diagram.

Secure the bracket **J** using screw **E**.

Fit another bracket **J** flush to the back edge of the left side **1**, about 5mm down from the top edge, see diagram.

Secure the bracket **J** using screw **E**.

**Note:** The brackets must be flush with the top/back edge of the panel.



# Assembly Instructions

## Step 3

### Prepare the right side

Refer to step 1 and, if required, fit 2 hinge plates **L** onto the right side **2**, making sure that the slot is facing towards the front edge.

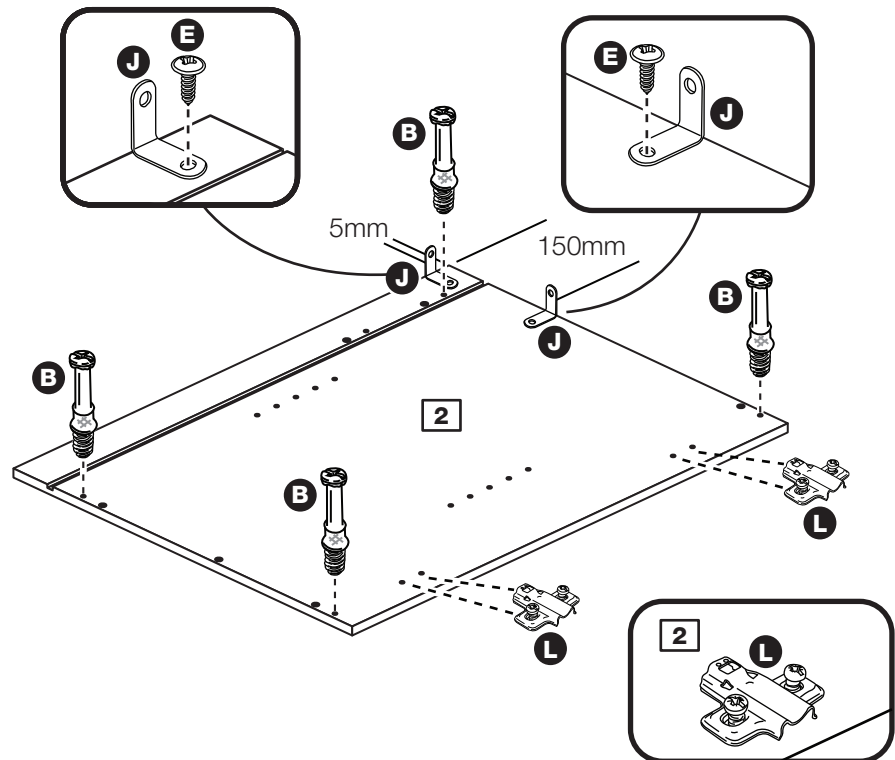
Screw 4 metal dowels **B** into the holes shown on the right side **2**.

Fit a bracket **J** flush to the top edge of the right side **2**, about 150mm in from the groove, see diagram.

Secure the bracket **J** using screw **E**.

Fit another bracket **J** flush to the back edge of the right side **2**, about 5mm down from the top edge, see diagram.

Secure the bracket **J** using screw **E**.



## Step 4

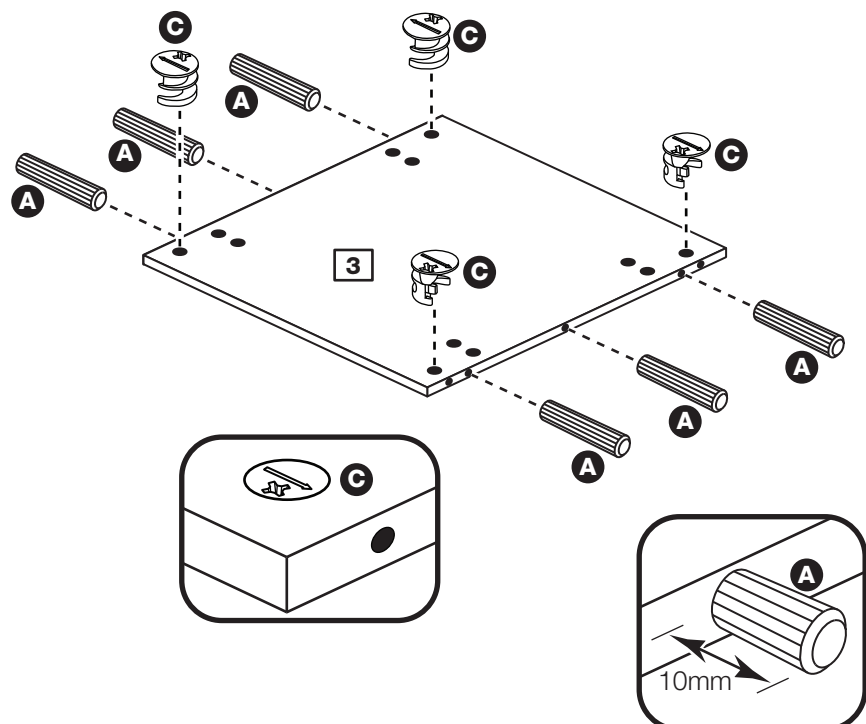
### Prepare the base

Insert 4 large locking nuts **C** into the base **3** as shown.

**Note:** Arrow on locking nut **must** point towards hole in edge of panel.

Tap 6 wooden dowels **A** into the base **3** as shown.

**Note:** Wooden dowels **must not** stick out from the edge by more than 10mm or they may damage other panels.



# Assembly Instructions

## Step 5

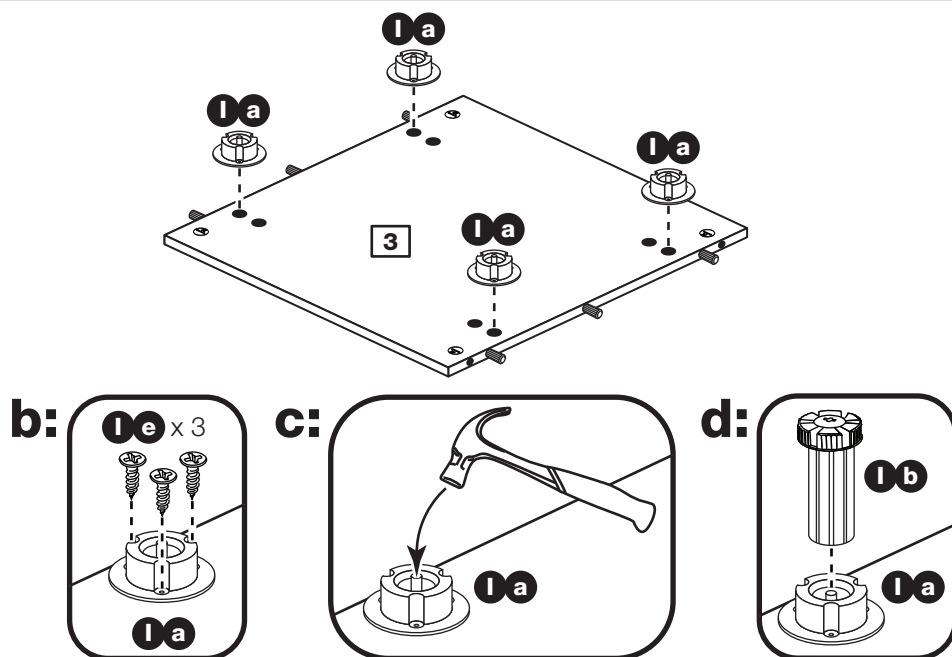
### Fit the legs to the base

**a:** Push the leg sockets **1a** into the holes in the base **3** as shown.

**b:** Secure each leg socket **1a** with 3 screws **1e**.

**c:** Tap in the centre plug on each leg socket **1a**.

**d:** Push the leg **1b** into the leg socket **1a**.



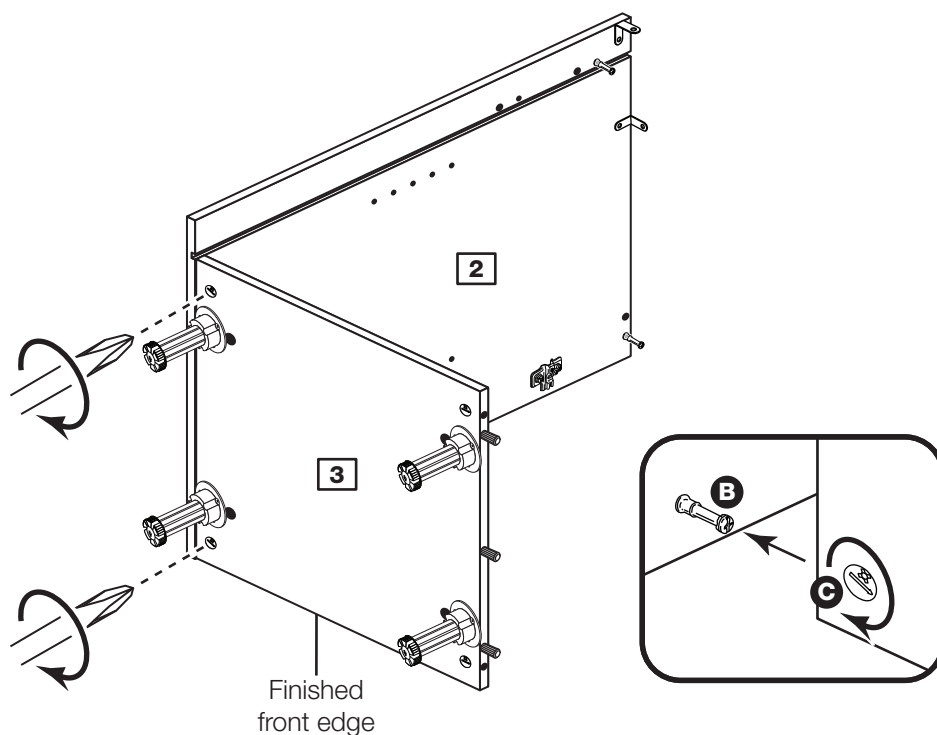
## Step 6

### Join the right side and base

Push the base **3** onto the right side **2**.

Use a screwdriver to tighten the 2 large locking nuts **C** fitted to the base **3**.

**Note:** Turn the large locking nuts **C** as far as they will go - more than 1/2 a turn.

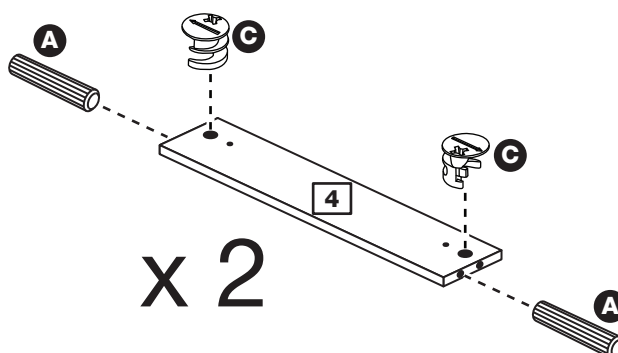


## Step 7

### Prepare the 2 cross rails

Insert 2 large locking nuts **C** into the cross rails **4** as shown.

Tap 2 wooden dowels **A** into the cross rails **4** as shown.



# Assembly Instructions

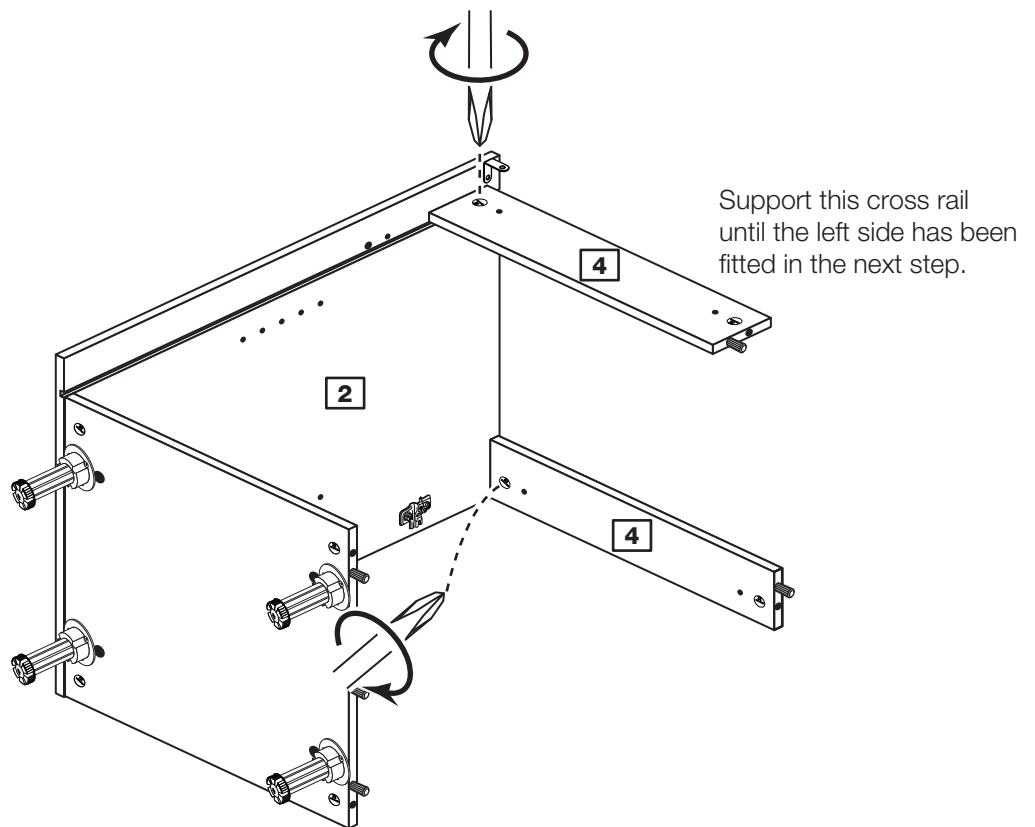
## Step 8

### Fit the 2 cross rails

Push each cross rail **4** onto the right side **2**.

Use a screwdriver to tighten the large locking nut **C** fitted to each cross rail **4**.

**Note:** Turn the large locking nuts **C** as far as they will go - more than 1/2 a turn.



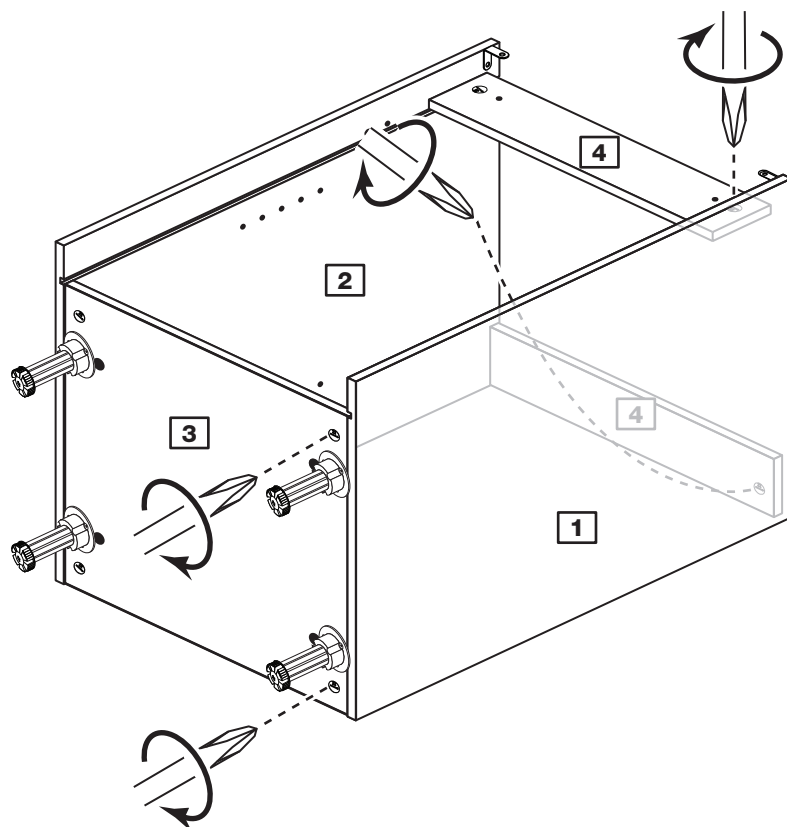
## Step 9

### Fit the left side

Push the left side **1** onto the assembly.

Use a screwdriver to tighten the large locking nut **C** fitted to the 2 cross rails **4** and the 2 fitted to the base **3**.

**Note:** Turn the large locking nuts **C** as far as they will go - more than 1/2 a turn.



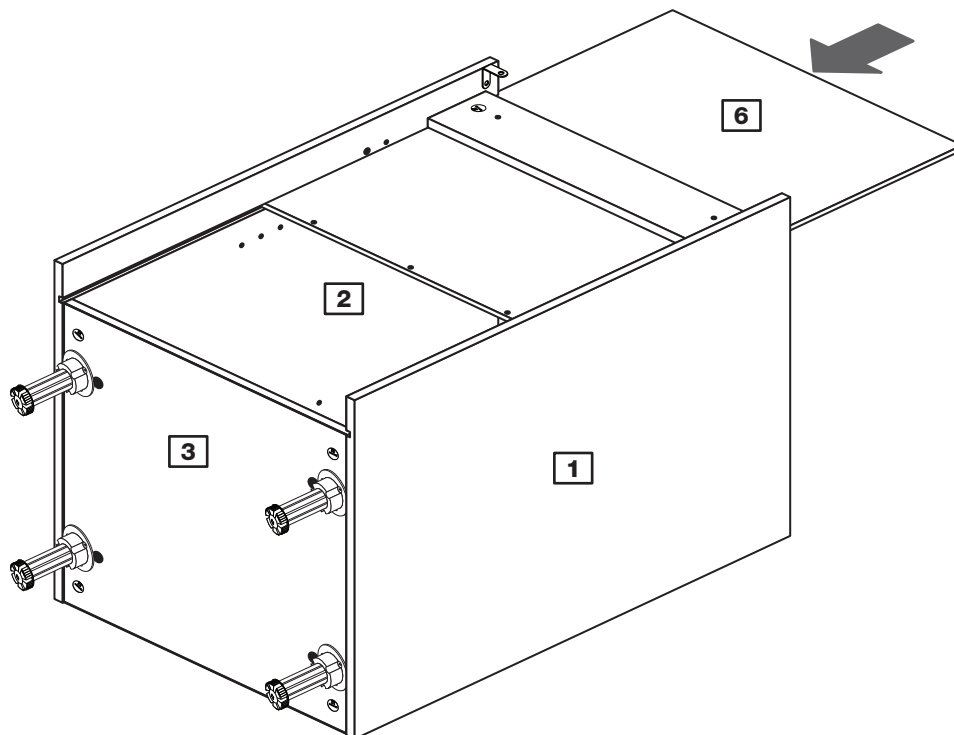


# Assembly Instructions

## Step 10

### Fit the back

Slide the back **6** along the grooves in the side panels **1** and **2**.



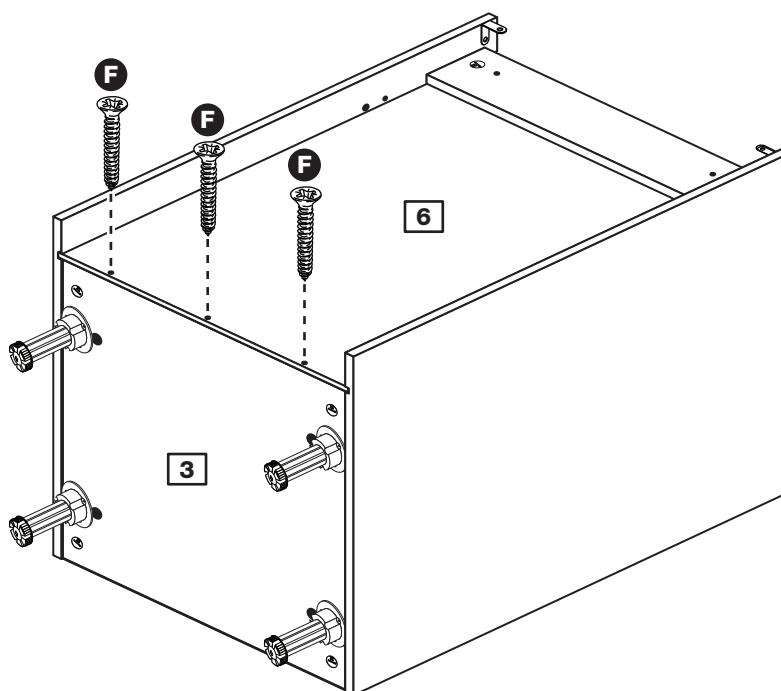
## Step 11

### Secure the back

The bottom edge of the back **6** must be flush with the bottom edge of the base **3**.

Secure the back **6** to the back edge of the base **3** using 3 screws **F**.

**Stand the unit up for the next stage.**



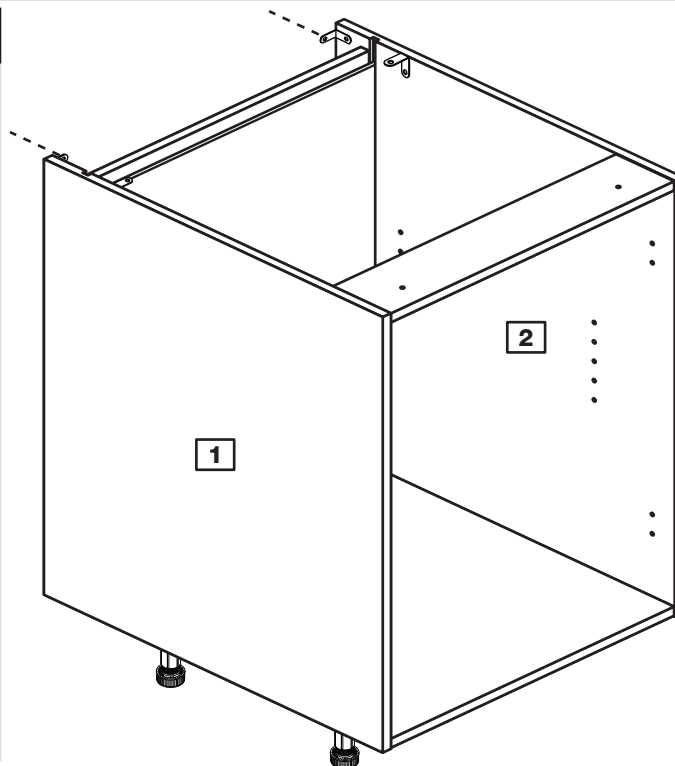
# Assembly Instructions

## Step 12

### Secure the unit to the wall

Using the brackets **J** fitted to the back edge of the sides **1** and **2** screw the unit to the wall.

Fixings are not supplied as they will need to suit the wall type, and the length of screw will depend on the distance of the back of the unit to the wall.



**Warning:** Take care when drilling the wall that you do not drill into any pipes, wires etc. If in doubt, consult an expert.

## Step 13

### Joining units together

Fittings have been supplied so you are able to join units together.

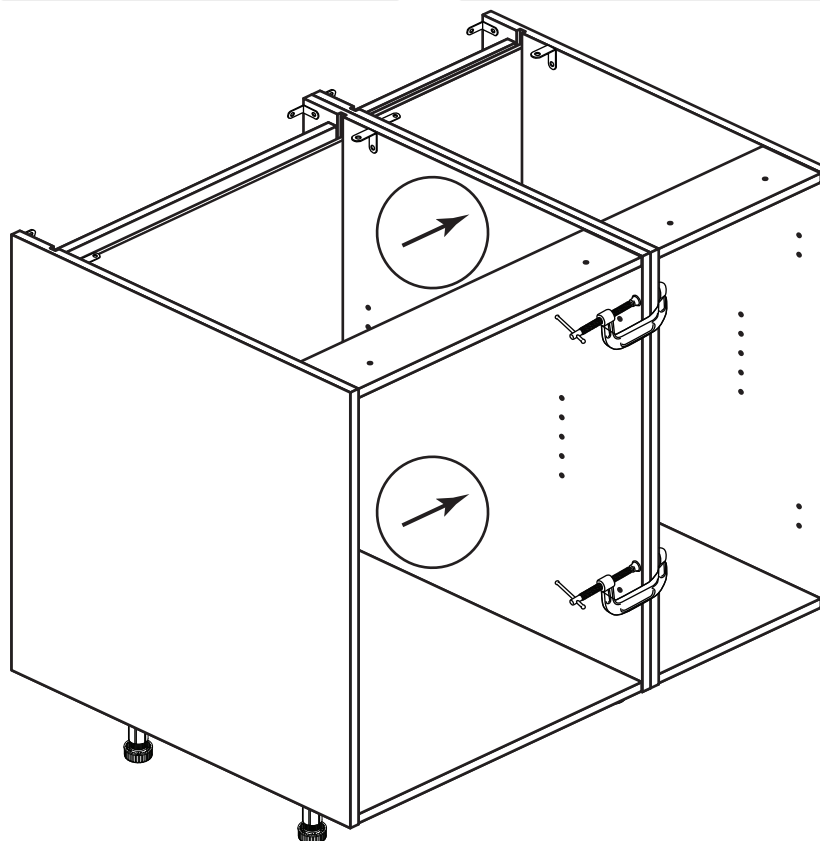
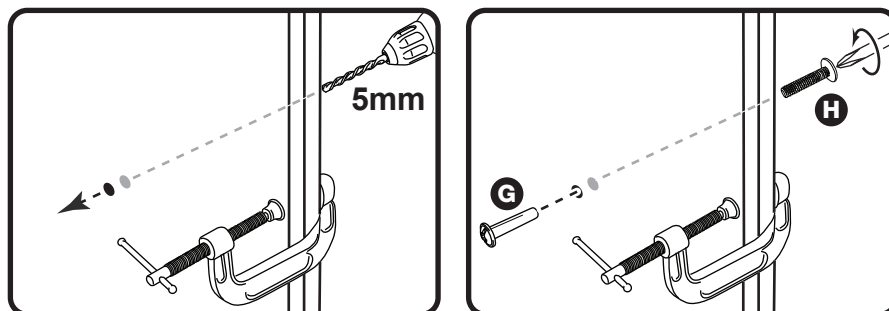
Make sure that your first unit is level.

Push the other unit up against first unit and ensure both units are level.

Check that the ends are flush and in line, then clamp them together.

Using a 5mm drill bit, drill 2 holes (approximate positions shown circled) in the side panel into the adjoining side panel of the other unit.

Push the connecting sleeves **G** into the holes and then screw the connecting bolts **H** in from the other side.



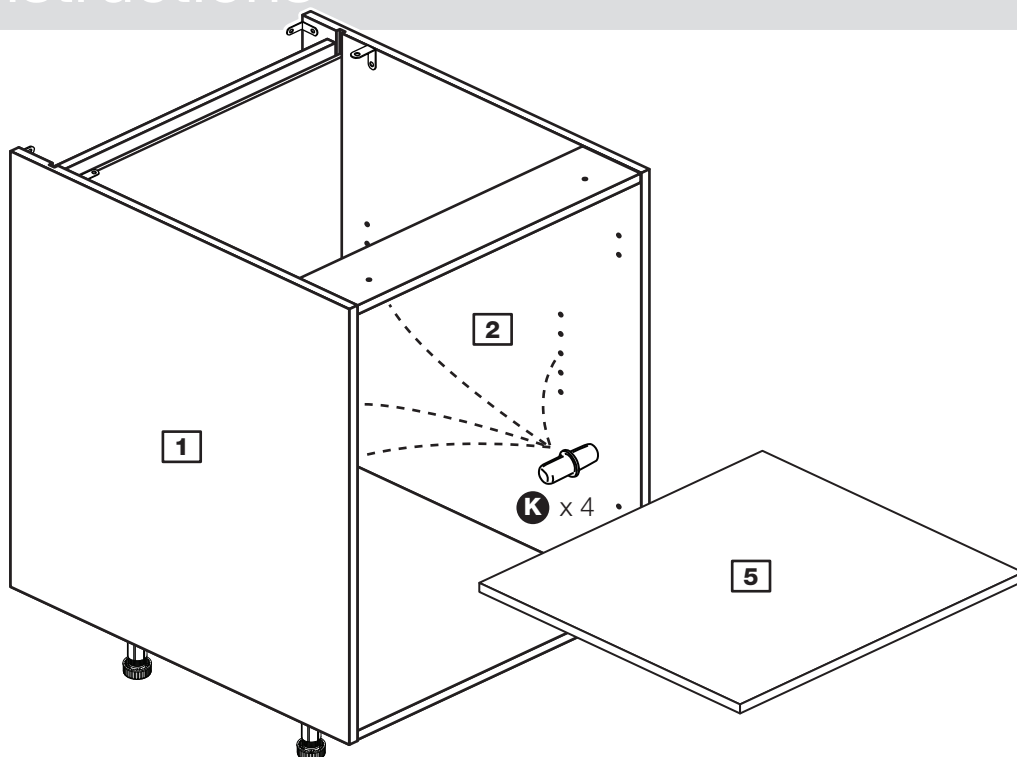
# Assembly Instructions

## Step 14

### Fit the loose shelf

Insert 4 shelf studs **K** at the required height.

Lower the loose shelf **5** down onto the shelf studs **K**.

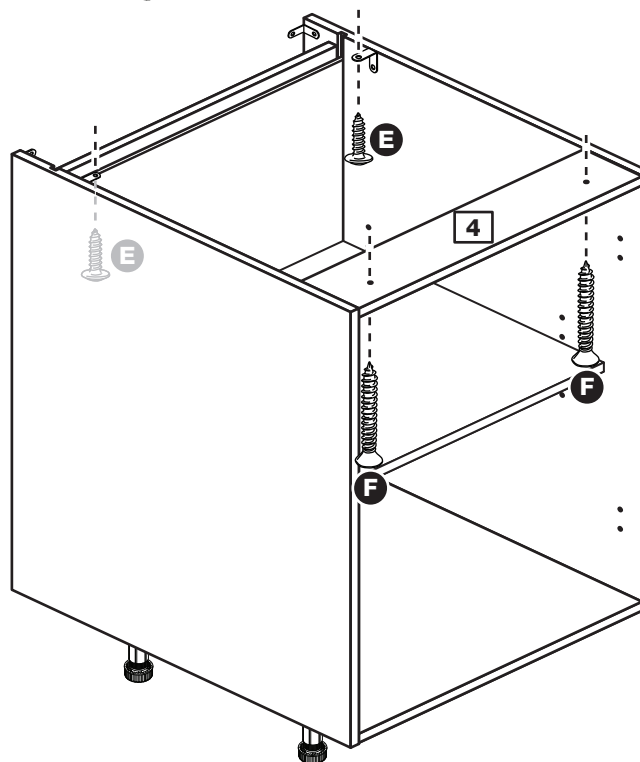


## Step 15

### Fit the unit to worktop

To fit the unit to the worktop use 2 screws **F** to screw up through the holes in the cross rail **4** as shown.

Then use 2 screws **E** to screw up through the brackets **J** as shown.



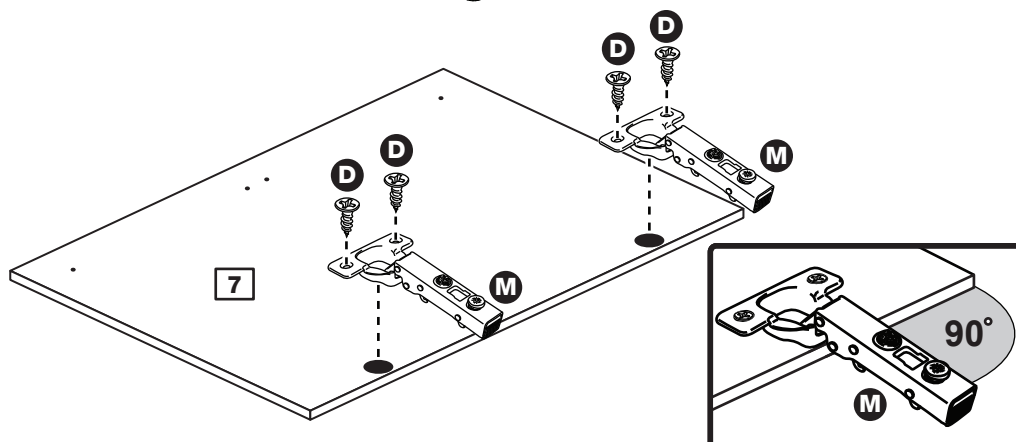
## Step 16

### Prepare the door

Push fit the 2 hinges **M** into the door **7**.

Secure each hinge with 2 screws **D**.

**Note:** Before securing with the screws, make sure that the hinges are positioned at 90 degrees with the front edge of the door.



# Assembly Instructions

## Step 17

### Drill the handle holes in the door

**Important:** Please follow these instructions carefully.

Lay the door **7** down onto a smooth surface.

**Important:** Carefully choose which holes you need to drill. This will depend on which side you fitted the hinge plates **L**.

Check that the holes and hinges are in the same place as the diagrams.

**Note:** We recommend the use of a small piece of waste wood, placed behind the hole while drilling, to reduce the possibility of any breakout.

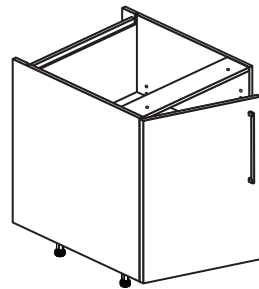
Using the pilot hole in the rear face of the door, **7** drill through the holes indicated opposite, using a 2.5mm diameter drill.

Turn the door **7** over and open out the 2.5mm holes that you have just drilled by drilling back through them with a 5mm drill.

**Note:** Drill bits are not provided.

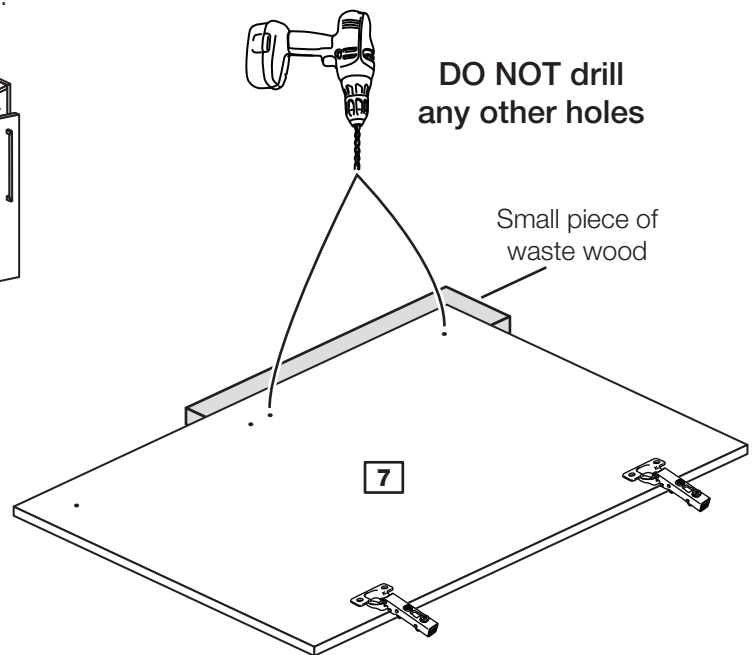
PLEASE FOLLOW THESE INSTRUCTIONS CAREFULLY TO CHOOSE WHICH 2 HOLES YOU WILL NEED TO DRILL

Drill these 2 holes if you have fitted the hinges to the left side.



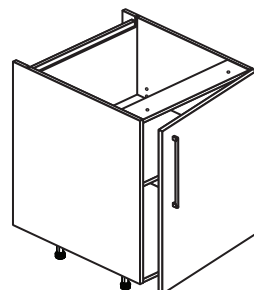
ONLY drill these 2 holes

DO NOT drill any other holes



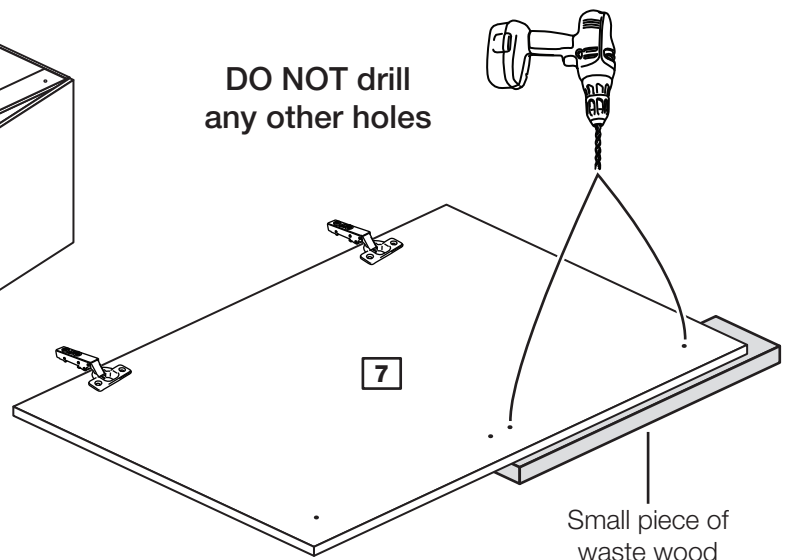
or

Drill these 2 holes if you have fitted the hinges to the right side.



ONLY drill these 2 holes

DO NOT drill any other holes



# Assembly Instructions

## Step 18

### Fit door and handle

**2 people are needed here**

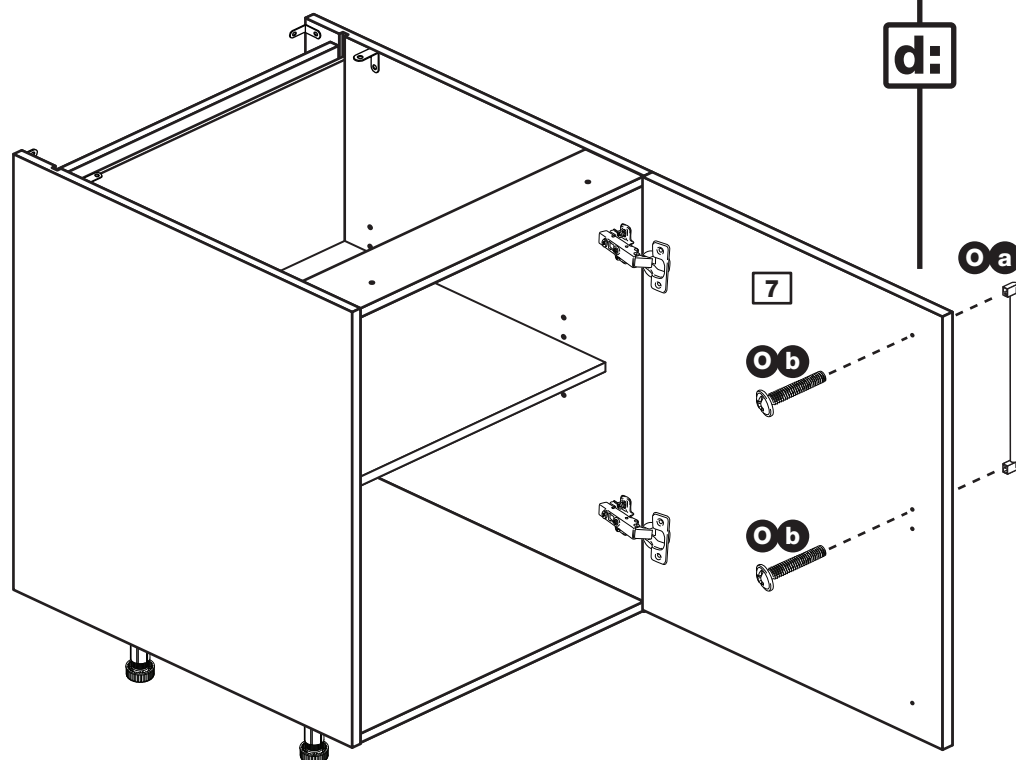
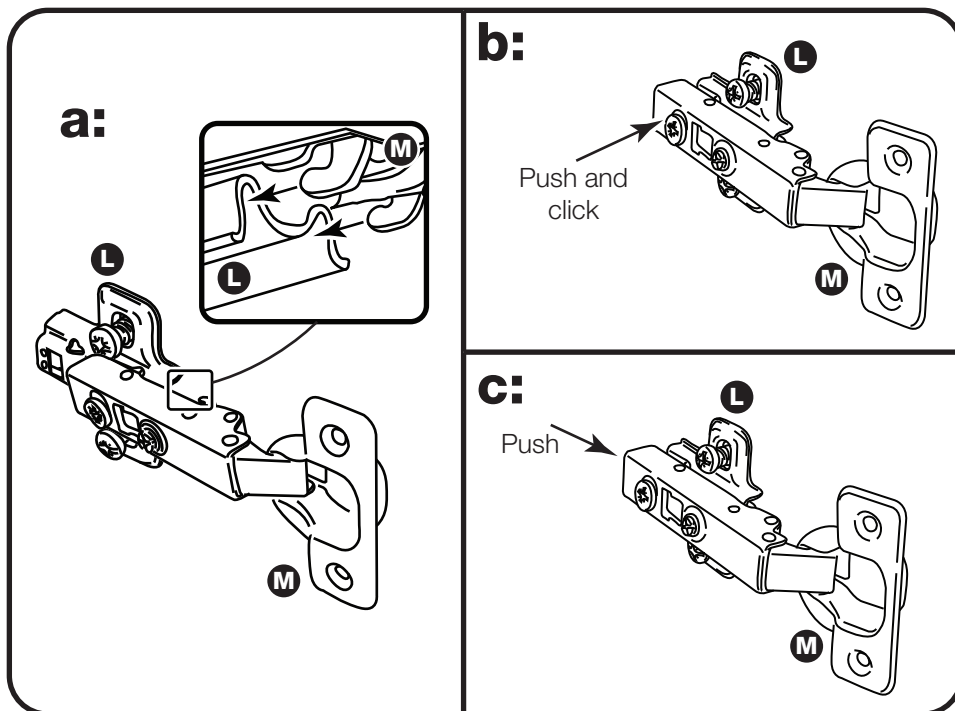
**Note:** The easiest way to attach the door **7** is to fit the top hinge first, then align and fit the other hinge.

**a:** Push the hooks on the hinge arm **M** underneath the front of the hinge plate **L**.

**b:** Press the front of the hinge arm **M** against the hinge plate **L** until it clicks into place.

**c:** If you need to separate the hinge arm **M** from the hinge plate, **L** press the button at the end of the hinge arm and lift it off of the hinge plate.

**d:** Attach the handle **Oa** to the door **7** using the 2 screws **O b** packed with it.



This shows the door being fitted to hinge plates on the right side. You may have fitted them to the left side.

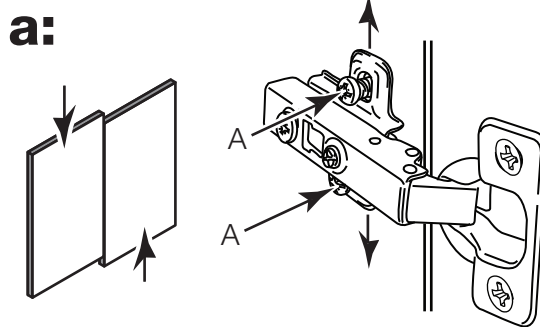
# Assembly Instructions

## Step 19

### Adjust the door if needed

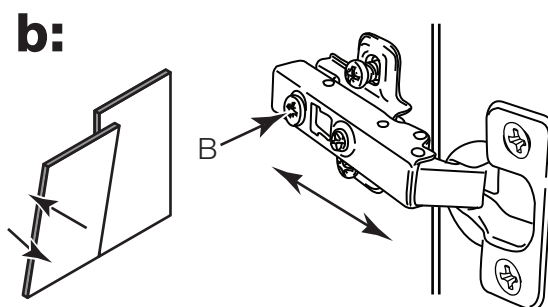
#### **a: Height adjustment.**

Loosen screws A on hinge plates and move door up or down as required.  
Retighten screw A.



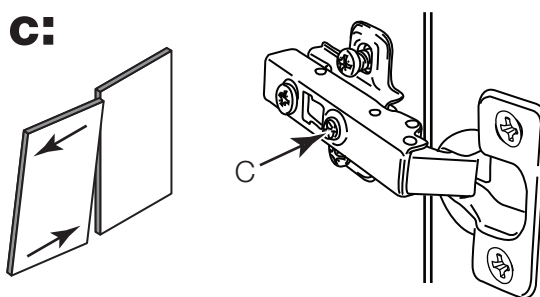
#### **b: Forward and Back adjustment.**

Loosen screw B on hinge arm and move door in or out as required.  
Retighten screw B.



#### **c: Sideways adjustment.**

To move door 'out' loosen screw C.  
To move door 'in' tighten screw C

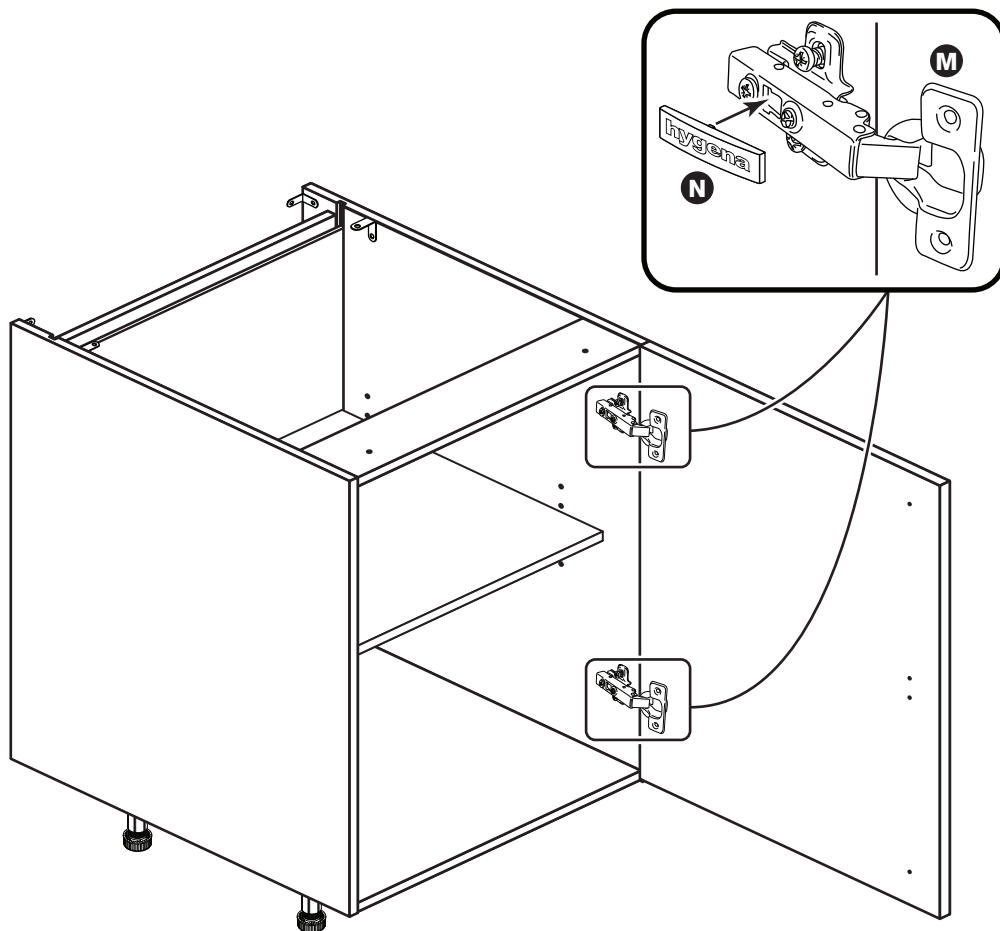


# Assembly Instructions

## Step 20

### Fit the hinge covers

Push the hinge covers **N** onto the hinge arms **M**.



## Step 21

### Fit the plinth

After cutting the plinth to the required length, offer the plinth up to the unit and using a pencil, mark the position of the unit's legs **Ib** on the back of the plinth.

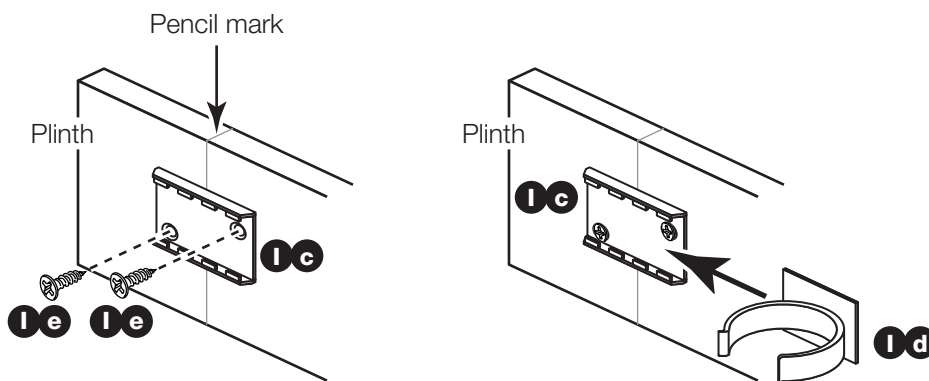
Position the leg bracket **Ic** so it is in the centre of the pencil mark and half way up the plinth.

Fix the leg bracket **Ic** to the back of the plinth using 2 screws **Ie**.

Slide the leg clip **Id** into the leg bracket **Ic**.

Offer the plinth up to the unit and push the leg clips **Id** onto the legs **Ib**.

Black Plinth Pack	608/2345
Cream Plinth Pack	608/2369
Oak Plinth Pack	205/5668
White Gloss Plinth Pack	608/2352
White HN Plinth Pack	198/9917



# Assembly Instructions

## Step 22

### Fit other products to the unit

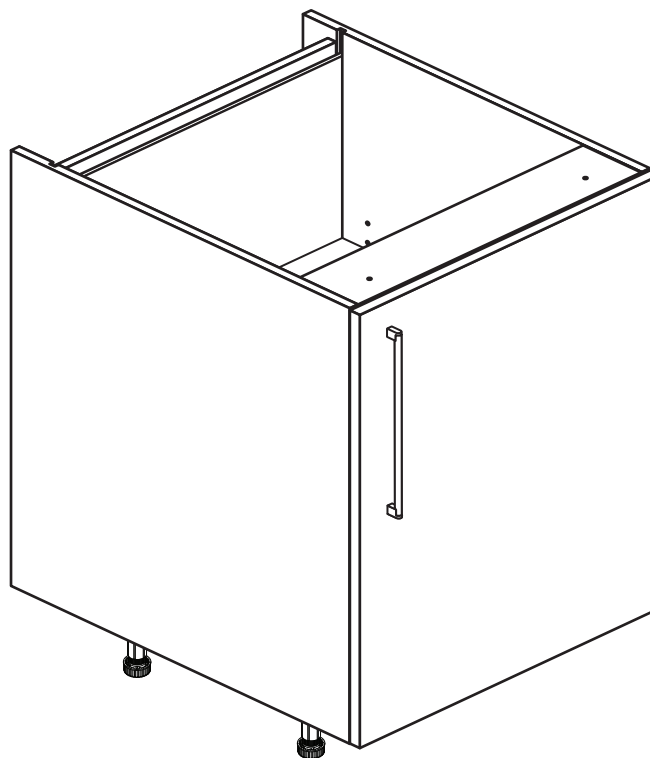
To fit other products to this unit e.g. worktops etc., please follow the instructions packed with them.

We recommend that you consult a qualified joiner or kitchen fitter.

### Assembly is complete



**Warning:** The unit is heavy. Lift with care.



If you need help or have damaged or missing parts, call the **Customer Helpline: 08456 400800** and quote the reference numbers on the component pages.

Argos Ltd, 489-499 Avebury Boulevard, Central Milton Keynes, MK9 2NW

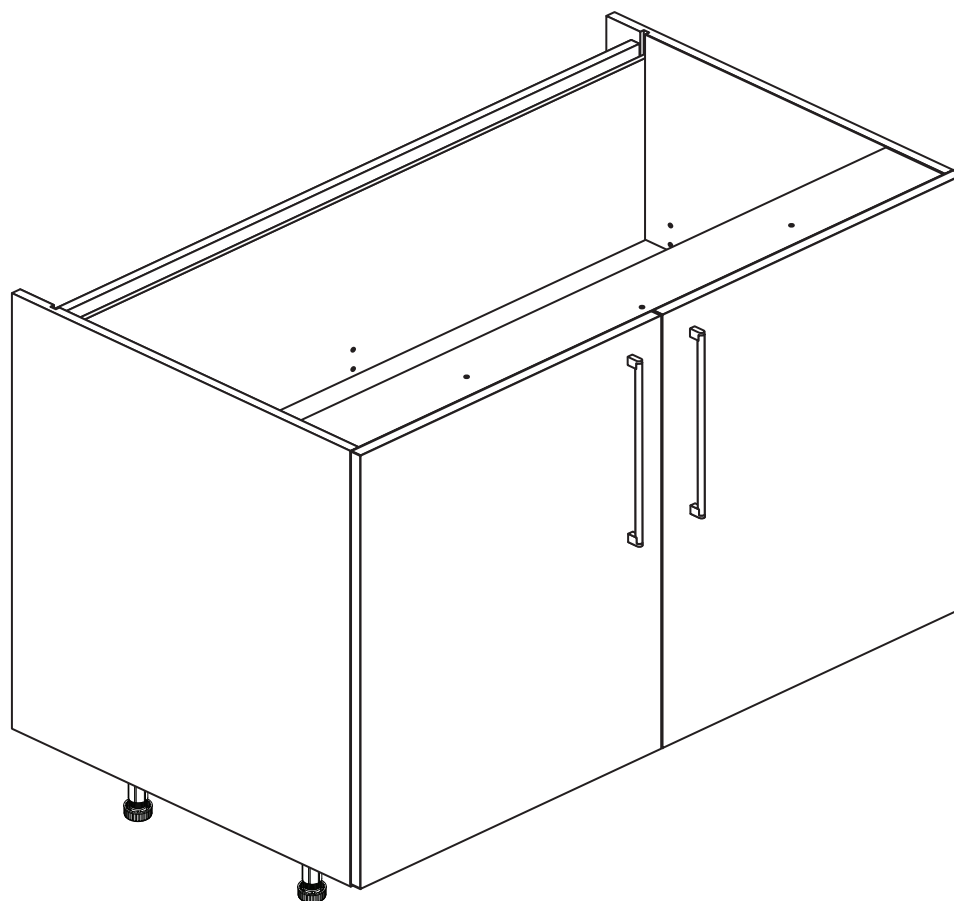


# Valencia - 1000mm Base Cabinet

Assembly Instructions - Please keep for future reference

**hygena**

Cabinet	656/5790
Black Door Pack	633/2882
Cream Door Pack	633/2710
Grey Door Pack	656/5295
Plum Door Pack	656/4540
White Door Pack	633/2806



## Dimensions

Width - 100cm

Depth - 59cm

Height - 87cm



**MADE IN  
BRITAIN**

**Important** - Please read these instructions fully before starting assembly

If you need help or have damaged or missing parts, call the **Customer Helpline: 08456 400800**



# Safety and Care Advice

**Important - Please read these instructions fully before starting assembly**

- **Warning:** This unit weighs approximately 26kgs. Please lift with care.
- Check you have all the components and tools listed on pages 2, 3 and 4.
- Remove all fittings from the plastic bags and separate them into their groups.
- Keep children and animals away from the work area, small parts could choke if swallowed.
- Parts of the assembly will be easier with 2 people.

- Make sure you have enough space to layout the parts before starting.
- Do not stand or put weight on the product, this could cause damage.
- Assemble the item as close to its final position (in the same room) as possible.
- Assemble on a soft level surface to avoid damaging the unit or your floor (use opened out unit carton).



• We do not recommend the use of power drill/drivers **for inserting screws**, as this could damage the unit. Only use hand screwdrivers.

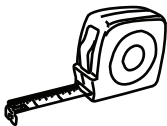
• **Safety note:** If there is any chance of this unit being pulled over by children etc. it is recommended that the unit is secured to a wall using suitable fixings (not supplied).

• Dispose of all packaging carefully and responsibly.

## Care and maintenance

- Only clean using a damp cloth and mild detergent, do not use bleach or abrasive cleaners.
- From time to time check that there are no loose screws on this unit.
- This product should not be discarded with household waste. Take to your local authority waste disposal centre.

## Tools required



Rule



Cross-head screwdriver



Scissors



Hammer



Eye protection (when using a hammer or drill)



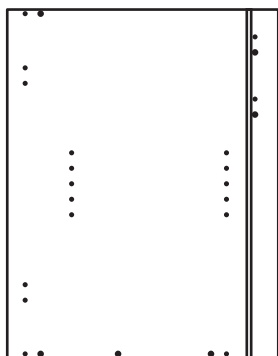
Electric drill

**Note:** If required the next page can be cut out and used as reference throughout the assembly. Keep this page with these instructions for future reference.

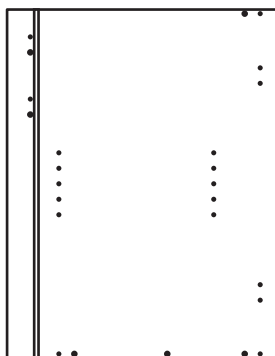
# Components - Panels

If you have damaged or missing components, call the **Customer Helpline: 08456 400800** quoting the reference numbers below

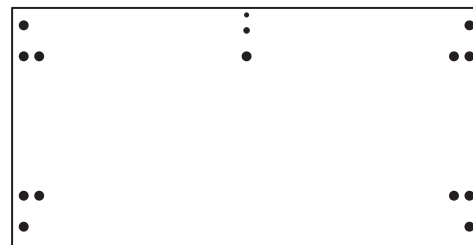
Please check you have all the panels listed below



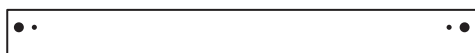
**1** Left Side (DPF068A)  
(720 x 560mm)



**2** Right Side (DPF069A)  
(720 x 560mm)



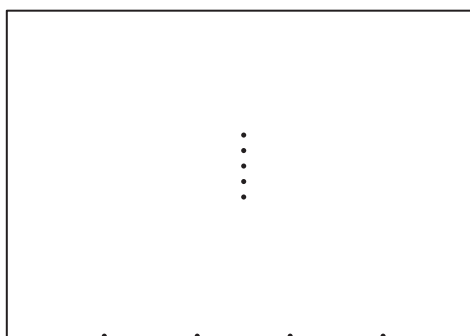
**3** Base (DPF082A)  
(969 x 494mm)



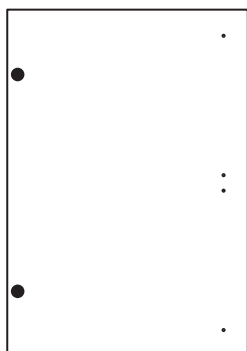
**4** Cross Rail (DPF084A)  
(969 x 96mm) x 2



**5** Loose Shelf (DPF083A)  
(968 x 431mm)



**6** Back (DPF085A)  
(979 x 680mm)



The front surface of this door is protected with a peel-off film

**7** Valencia Door (DPF147B)  
(497 x 716mm) x 2



**8** Muntin Rail (DPF086A)  
(36 x 688mm)


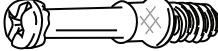




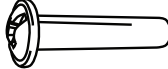

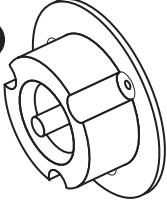
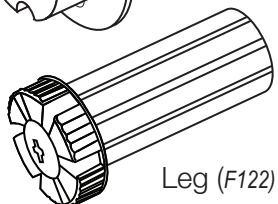
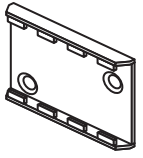
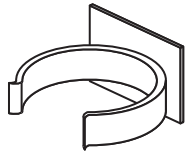

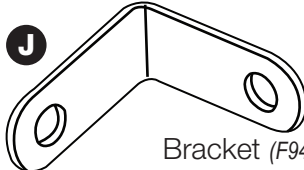


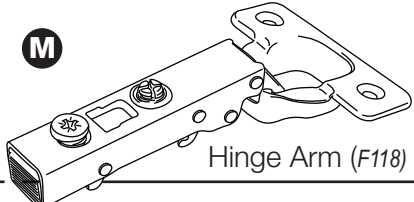
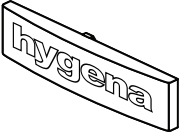

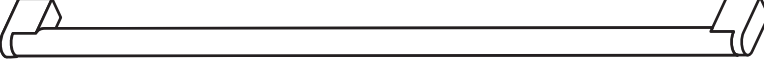



# Components - Fittings

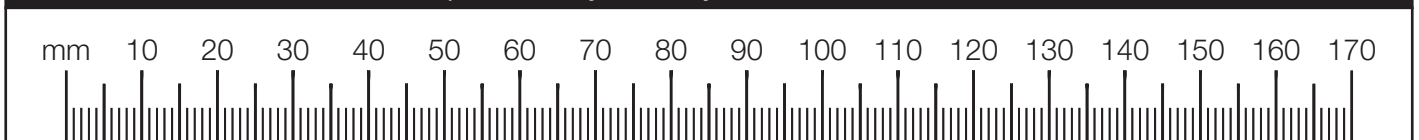
If you have damaged or missing components, call the **Customer Helpline: 08456 400800** quoting the reference numbers below

Please check you have all the fittings listed below

**Note:** The quantities below are the correct amount to complete the assembly. In some cases more fittings may be supplied than are required.

<p><b>A</b> </p> <p>Wooden dowel (F22) x 12</p>	<p><b>B</b> </p> <p>Metal dowel (F901) x 8</p>	<p><b>C</b> </p> <p>Large locking nut (F900) x 8</p>
<p><b>D</b> </p> <p>13mm Screw (F63) x 8</p>	<p><b>E</b> </p> <p>13mm Screw (F79) x 6</p>	<p><b>F</b> </p> <p>25mm Screw (F50) x 6</p>
<p><b>G</b> </p> <p>Connecting Sleeve (F432) x 2</p>	<p><b>H</b> </p> <p>19mm Connecting bolt (F461) x 2</p>	<p><b>I a</b> </p> <p>Leg Socket (F120) x 5</p> <p><b>I b</b> </p> <p>Leg (F122) x 5</p> <p><b>I c</b> </p> <p>Leg Bracket (F127) x 3</p> <p><b>I d</b> </p> <p>Leg Clip (F128) x 3</p> <p><b>I e</b> </p> <p>16mm Screw (F129) x 21</p>
<p><b>J</b> </p> <p>Bracket (F945) x 4</p>	<p><b>K</b> </p> <p>Shelf support (F110) x 6</p>	
<p><b>L</b> </p> <p>Hinge Plate (F117) x 4</p>	<p><b>M</b> </p> <p>Hinge Arm (F118) x 4</p>	
<p><b>N</b> </p> <p>Hinge Cover (F119) x 4</p>	<p><b>O</b> </p> <p>40mm Screw (F910) x 2</p>	
<p><b>Pa</b> </p> <p>Handle (F214) x 2</p> <p><b>Pb</b> </p> <p>25mm Screw (F132) x 4</p>		

Ruler - Use this ruler to help correctly identify the screws



# Assembly Instructions

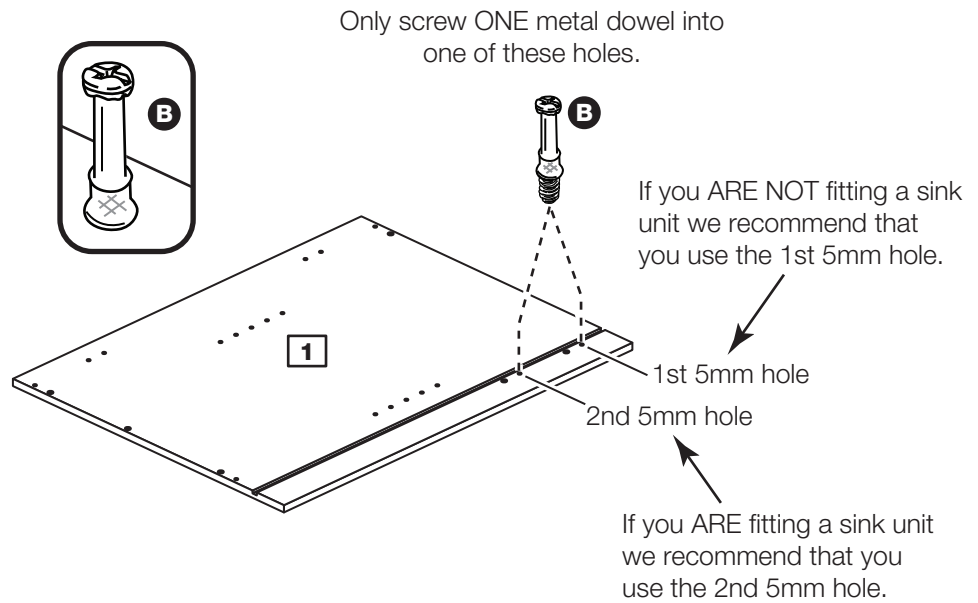
If you have damaged or missing components, call the **Customer Helpline: 08456 400800** quoting the reference numbers below

## Step 1

### Prepare the left side

Screw a metal dowel **B** into one of the holes shown on the left side **1**.

**Note:** Tighten metal dowels up fully against the panels.



## Step 2

### Prepare the left side

Fit 2 hinge plates **L** onto the left side **1**, orientated as shown.

Screw 3 metal dowels **B** into the holes shown on the left side **1**.

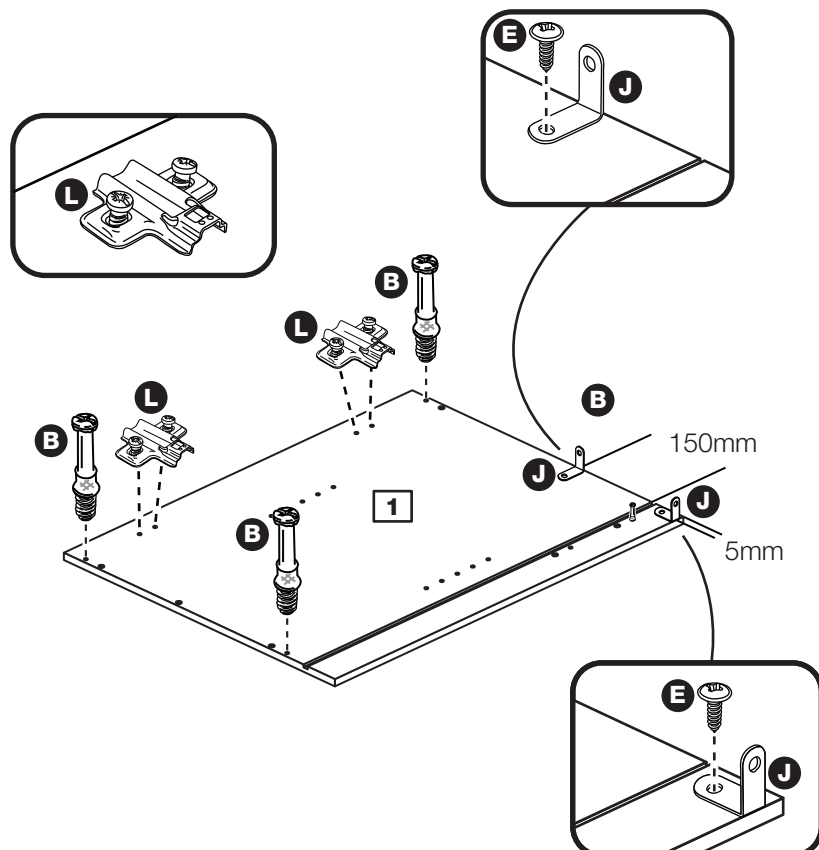
Fit a bracket **J** flush to the top edge of the left side **1**, about 150mm in from the groove, see diagram.

Secure the bracket **J** using screw **E**.

Fit another bracket **J** flush to the back edge of the left side **1**, about 5mm down from the top edge, see diagram.

Secure the bracket **J** using screw **E**.

**Note:** The brackets must be flush with the top/back edge of the panel.



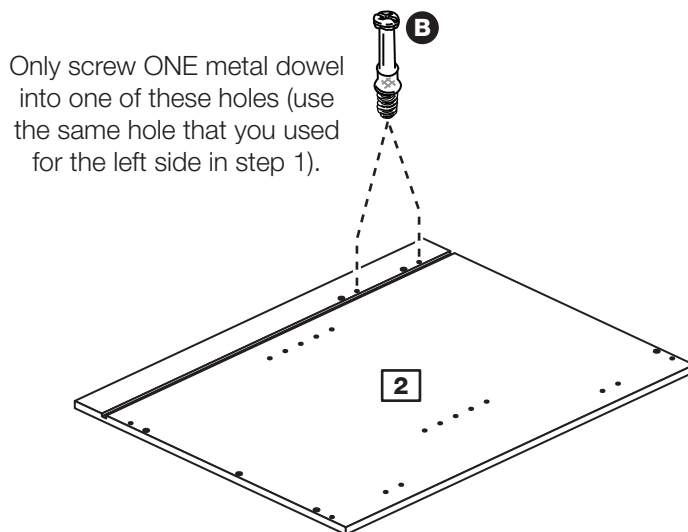
# Assembly Instructions

## Step 3

### Prepare the right side

Screw a metal dowel **B** into one of the holes shown on the right side **2**.

Use the same hole that you used for the left side in step 1.



## Step 4

### Prepare the right side

Fit 2 hinge plates **L** onto the right side **2**, orientated as shown.

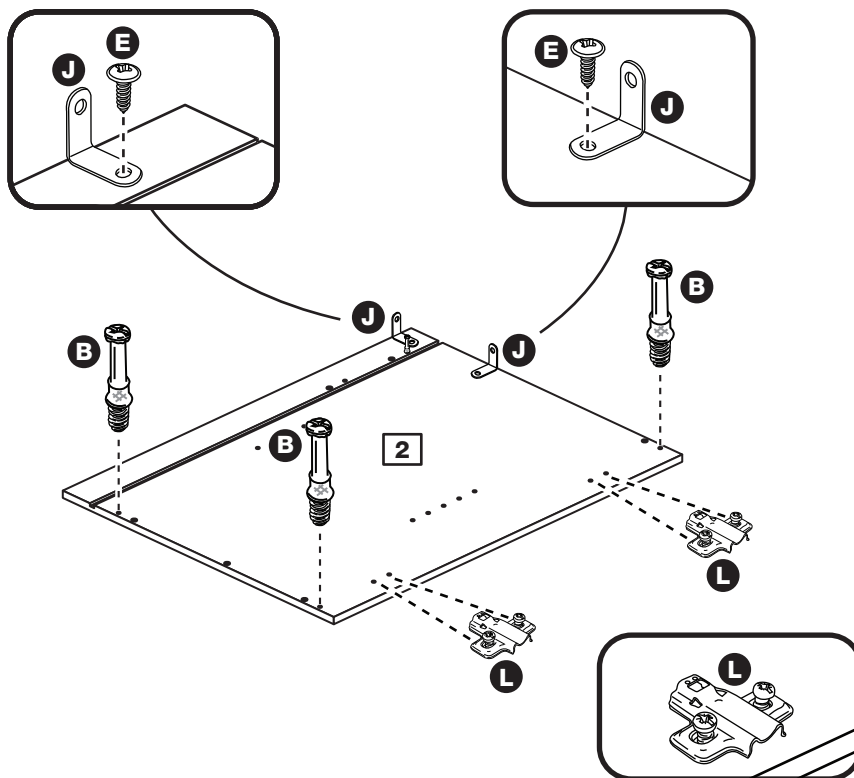
Screw 3 metal dowels **B** into the holes shown on the right side **2**.

Fit a bracket **J** flush to the top edge **J** of the right side **2**, about 150mm in from the groove, see diagram.

Secure the bracket **J** using screw **E**.

Fit another bracket **J** flush to the back edge of the right side **2**, about 5mm down from the top edge, see diagram.

Secure the bracket **J** using screw **E**.



# Assembly Instructions

## Step 5

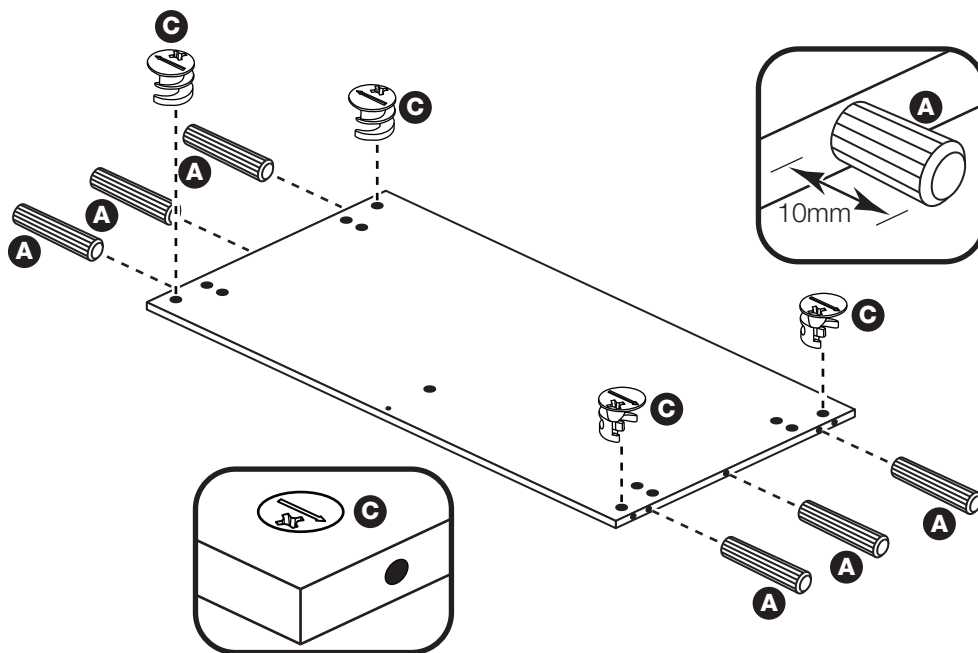
### Prepare the base

Insert 4 large locking nuts **C** into the base **3** as shown.

**Note:** Arrow on locking nut **must** point towards hole in edge of panel.

Tap 6 wooden dowels **A** into the base **3** as shown.

**Note:** Wooden dowels **must not** stick out from the edge by more than 10mm or they may damage other panels.



## Step 6

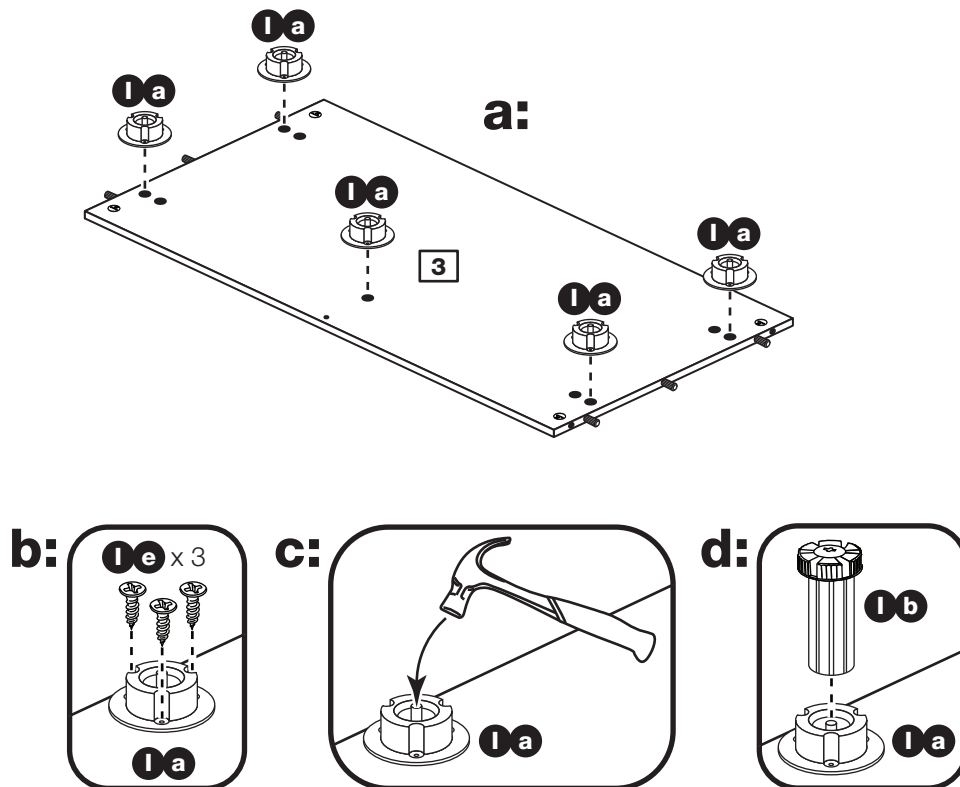
### Fit the legs to the base

**a:** Push the leg sockets **la** into the holes in the base **3** as shown.

**b:** Secure each leg socket **la** with 3 screws **le**.

**c:** Tap in the centre plug on each leg socket **la**.

**d:** Push the leg **lb** into the leg socket **la**.



# Assembly Instructions

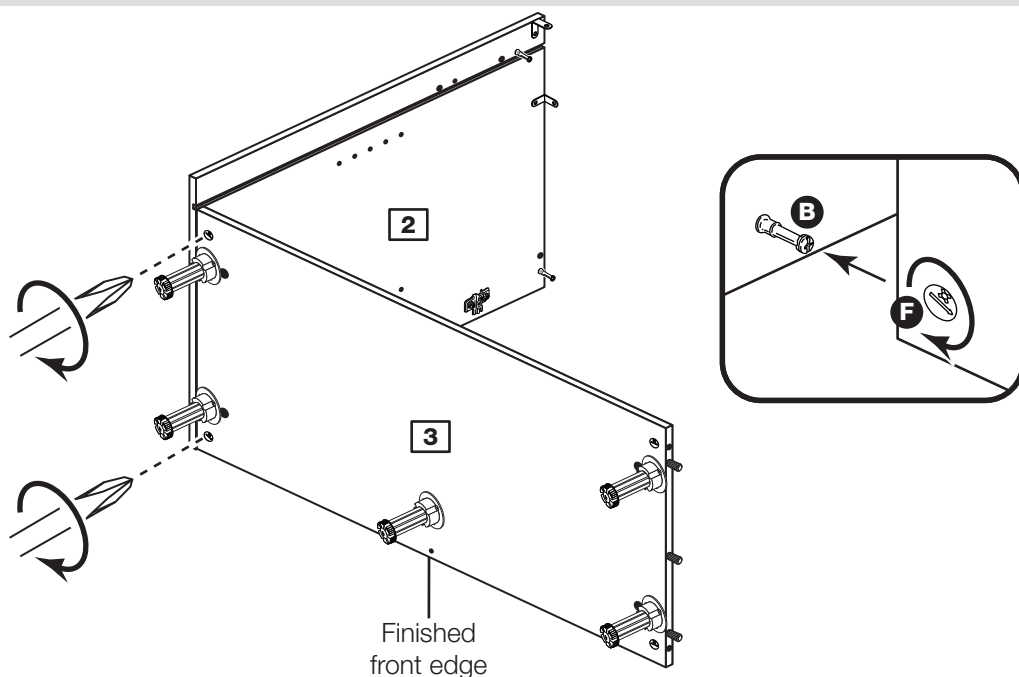
## Step 7

### Join the right side and base

Push the base **3** onto the right side **2**.

Use a screwdriver to tighten the 2 large locking nuts **C** fitted to the base **3**.

**Note:** Turn the large locking nuts **C** as far as they will go - more than 1/2 a turn.

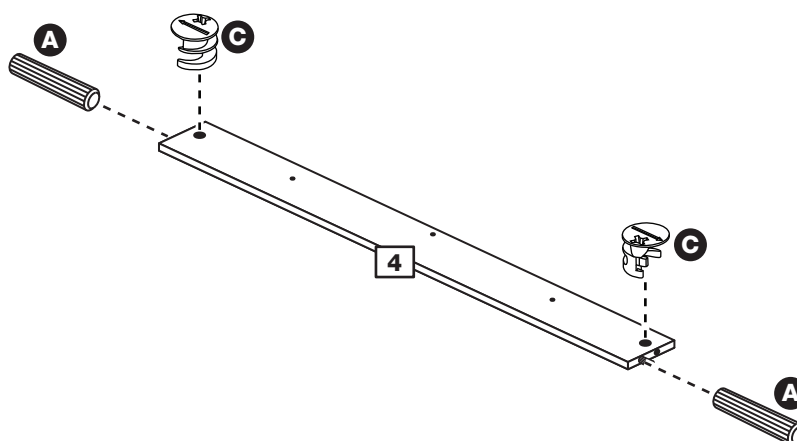


## Step 8

### Prepare the 2 cross rails

Insert 2 large locking nuts **C** into the cross rails **4** as shown.

Tap 2 wooden dowels **A** into the cross rails **4** as shown.



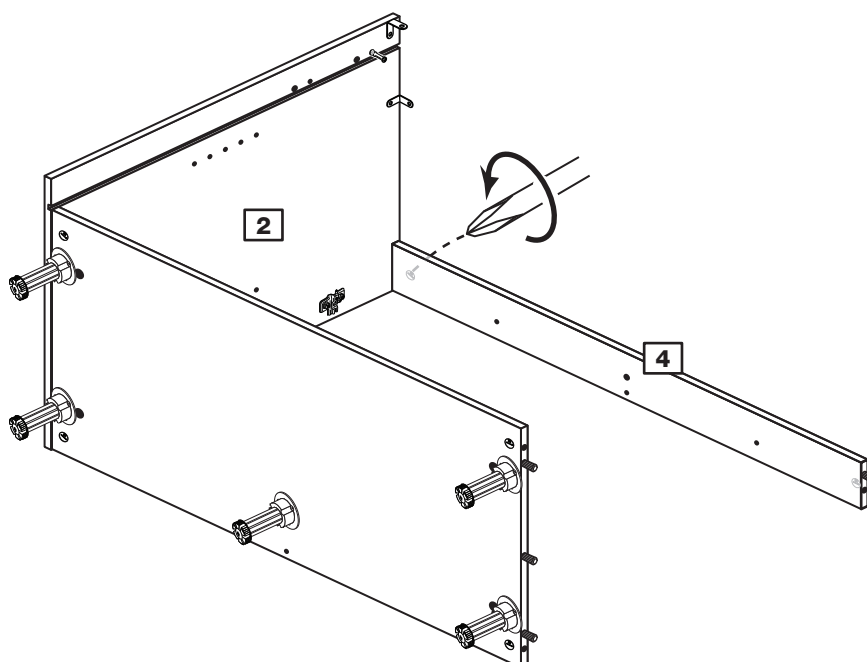
## Step 9

### Fit a cross rail

Push a cross rail **4** onto the right side **2** as shown.

Use a screwdriver to tighten the large locking nut **C** fitted to the cross rail **4**.

**Note:** Turn the large locking nuts **C** as far as they will go - more than 1/2 a turn.



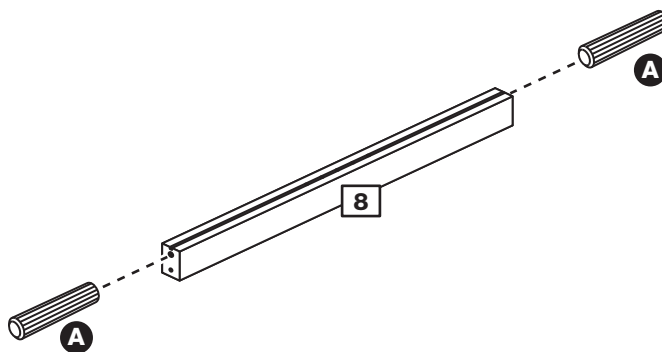


# Assembly Instructions

## Step 10

### Prepare the muntin rail

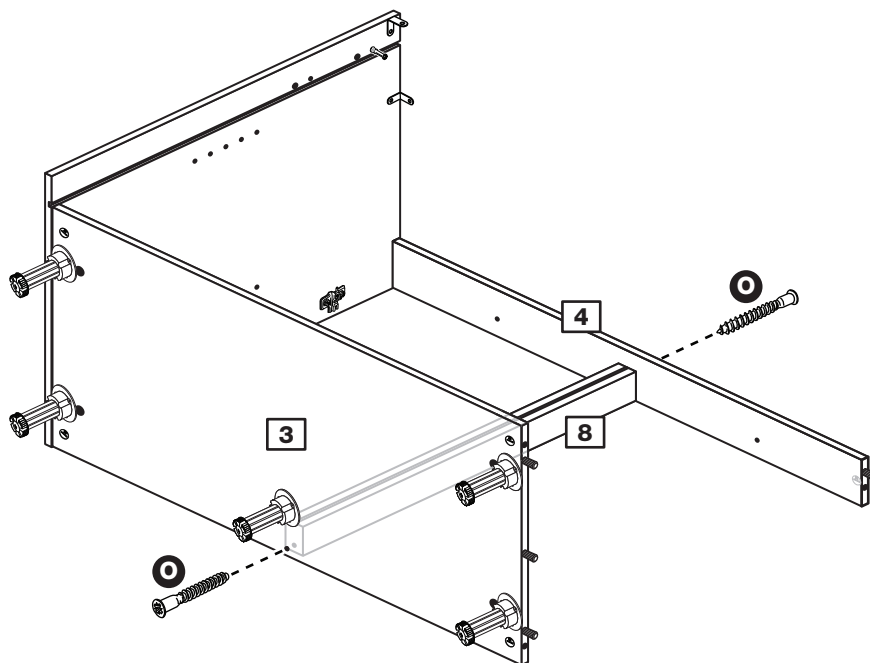
Tap 2 wooden dowels **A** into the muntin rail **8** as shown.



## Step 11

### Fit the muntin rail

Attach the muntin rail **8** to the base **3** and cross rail **4** and secure with 2 screws **O**.



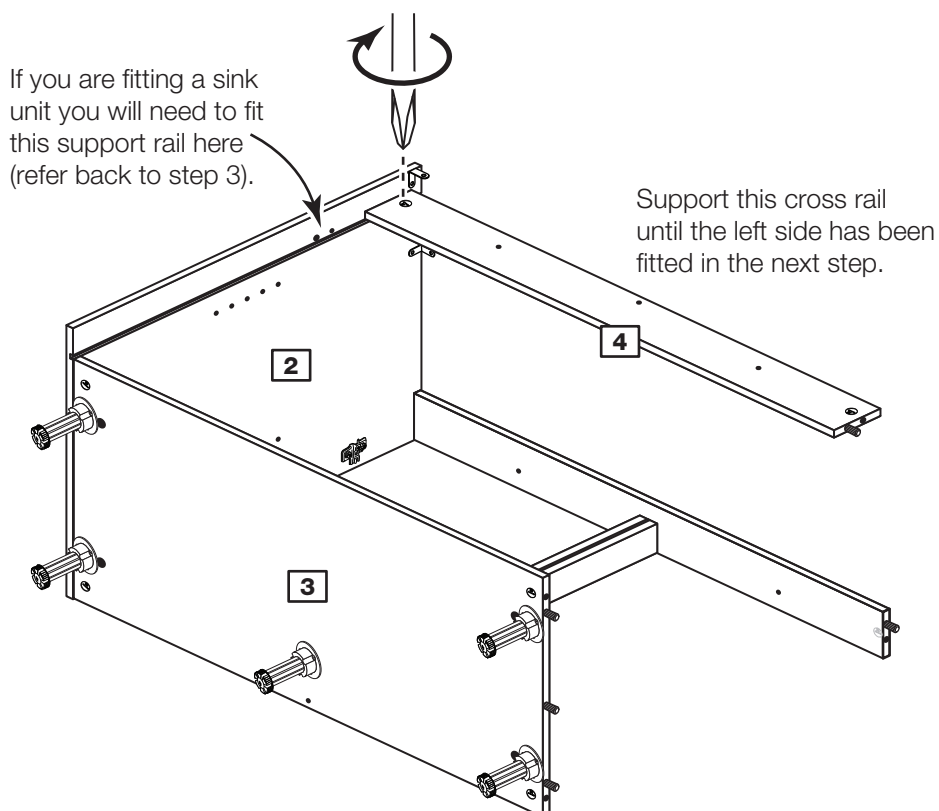
## Step 12

### Fit a cross rail

Push a cross rail **4** onto the right side **2** as shown.

Use a screwdriver to tighten the large locking nut **C** fitted to the cross rail **4**.

**Note:** Turn the large locking nuts **C** as far as they will go - more than 1/2 a turn.



# Assembly Instructions

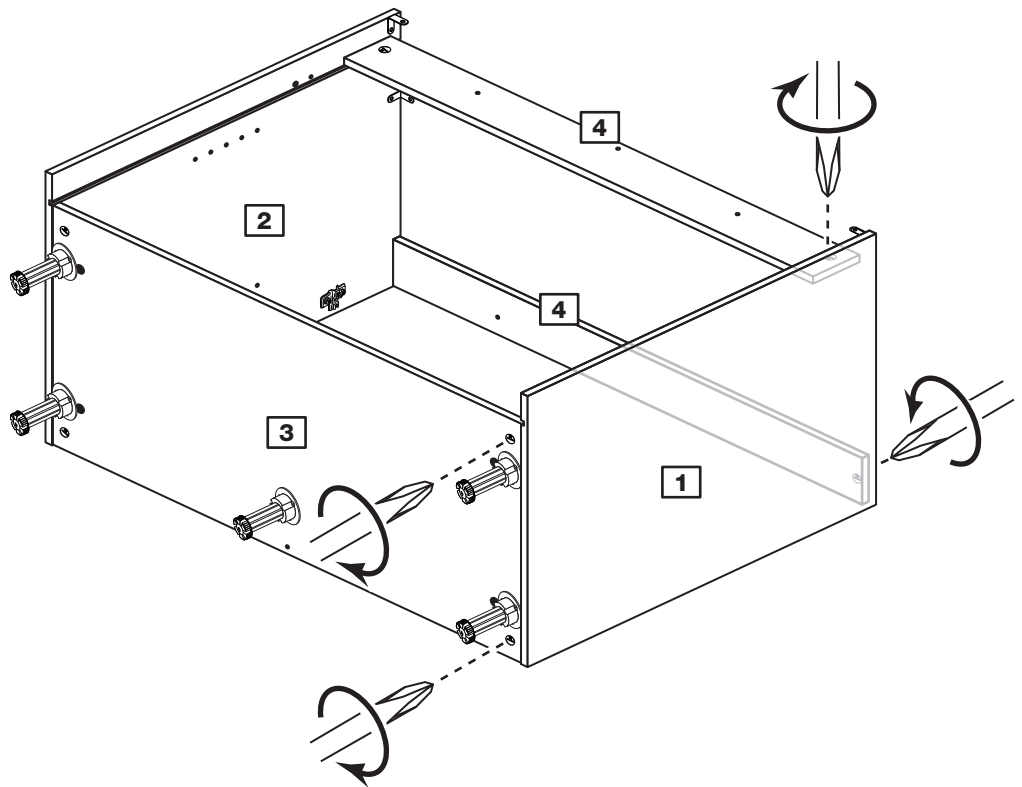
## Step 13

### Fit the left side

Push the left side **1** onto the assembly.

Use a screwdriver to tighten the large locking nut **C** fitted to the 2 cross rails **4** and the 2 fitted to the base **3**.

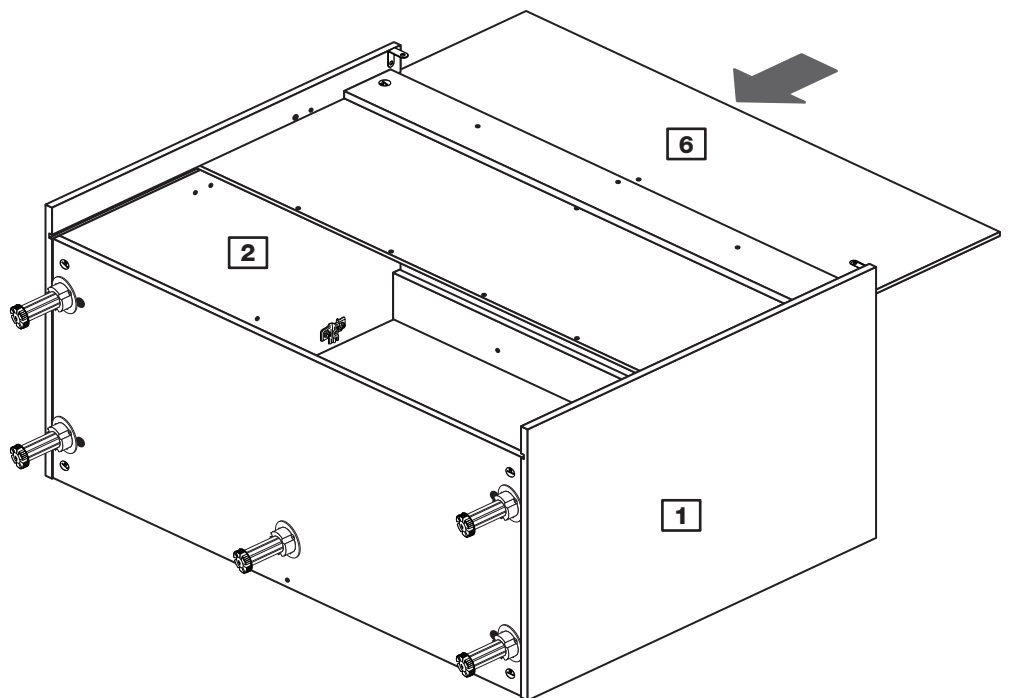
**Note:** Turn the large locking nuts **C** as far as they will go - more than 1/2 a turn.



## Step 14

### Fit the back

Slide the back **6** along the grooves in the side panels **1** and **2**.



# Assembly Instructions

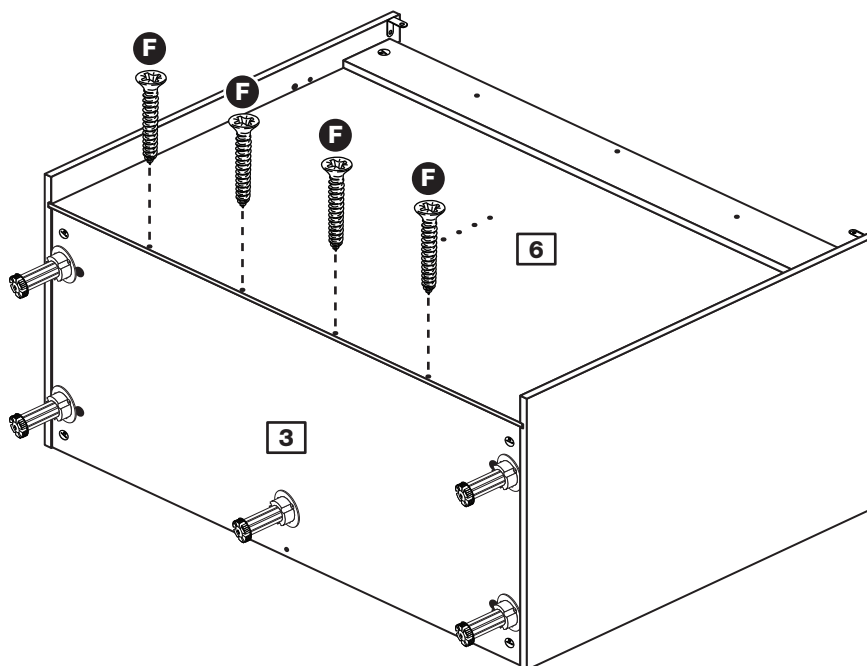
## Step 15

### Secure the back

The bottom edge of the back **6** must be flush with the bottom edge of the base **3**.

Secure the back **6** to the back edge of the base **3** using 4 screws **F**.

**Stand the unit up for the next stage.**

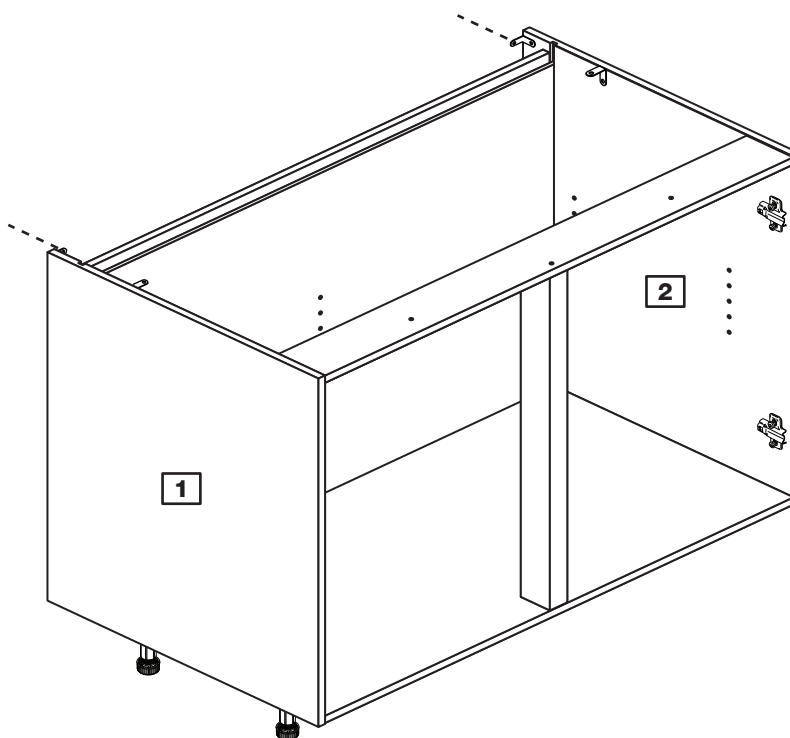


## Step 16

### Secure the unit to the wall

Using the brackets **F** fitted to the back edge of the sides **1** and **2** screw the unit to the wall.

Fixings are not supplied as they will need to suit the wall type, and the length of screw will depend on the distance of the back of the Unit to the wall.



**Warning:** Take care when drilling the wall that you do not drill into any pipes, wires etc. If in doubt, consult an expert.

# Assembly Instructions

## Step 17

### Joining units together

Fittings have been supplied so you are able to join units together.

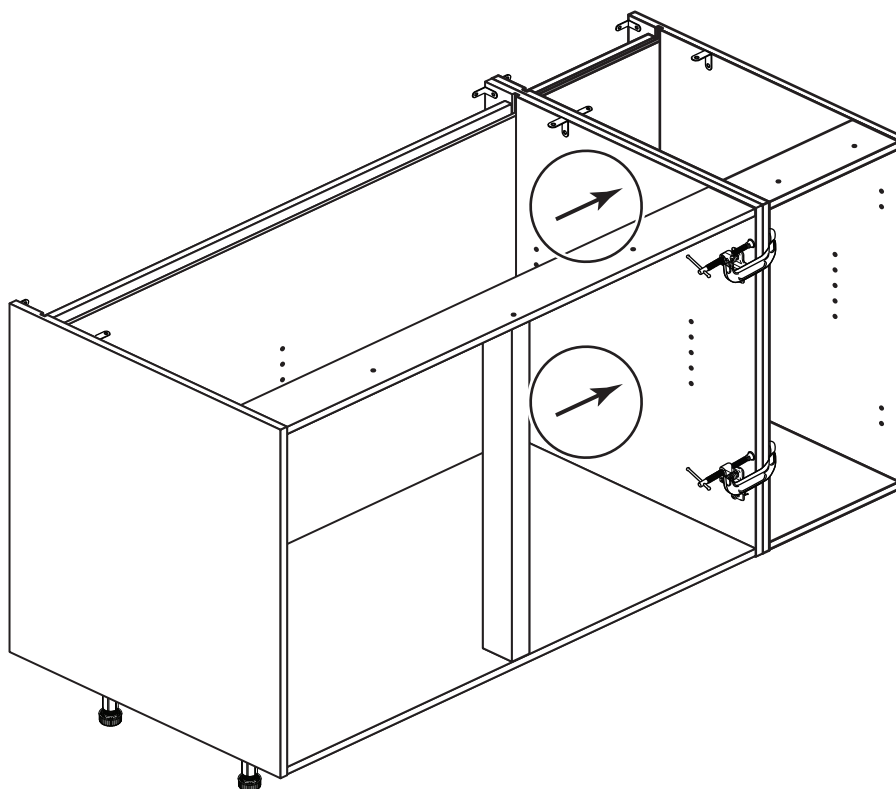
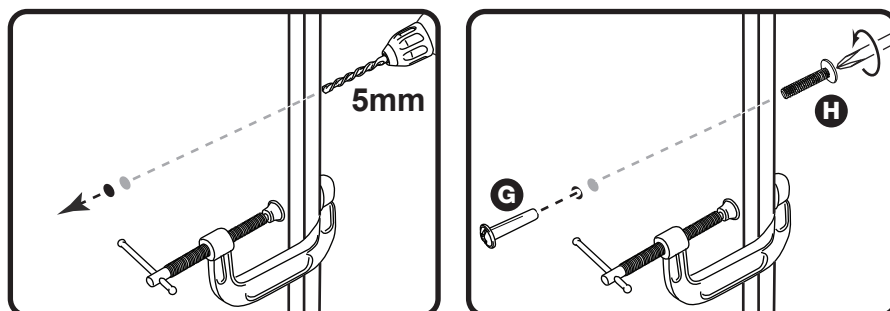
Make sure that your first unit is level.

Push the other unit up against first unit and ensure both units are level.

Check that the ends are flush and in line, then clamp them together.

Using a 5mm drill bit, drill 2 holes (approximate positions shown circled) in the side panel into the adjoining side panel of the other unit.

Push the connecting sleeves **G** into the holes and then screw the connecting bolts **H** in from the other side.

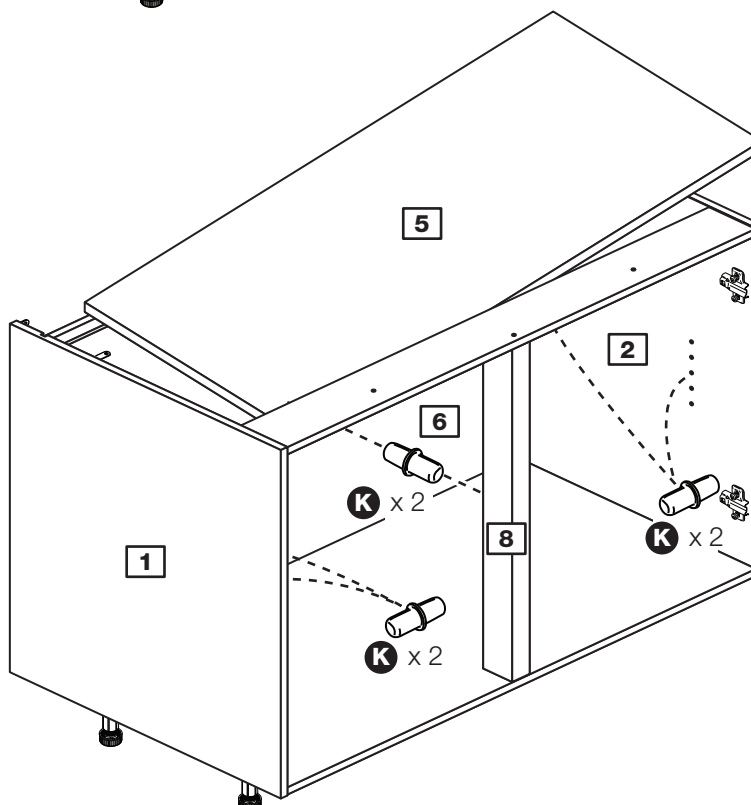


## Step 18

### Fit the loose shelf

Insert 6 shelf studs **K** at the required height. 2 in each side **1** and **2**, 1 in the back **6** and 1 in the munting **8**.

Lower the loose shelf **5** down onto the shelf studs **K**.



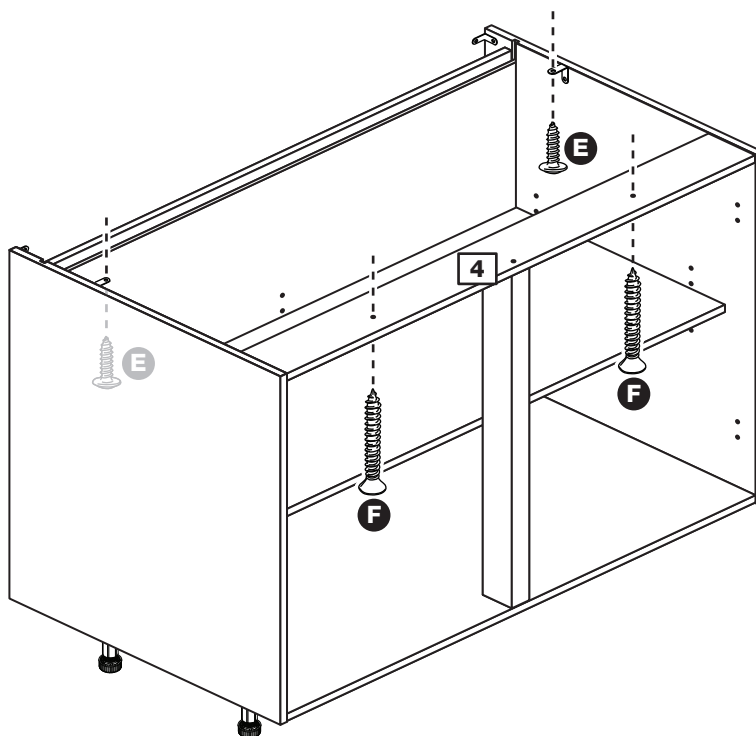
# Assembly Instructions

## Step 19

### Fit the unit to worktop

To fit the unit to the worktop use 2 screws **F** to screw up through the holes in the cross rail **4** as shown.

Then use 2 screws **E** to screw up through the brackets **J** as shown.



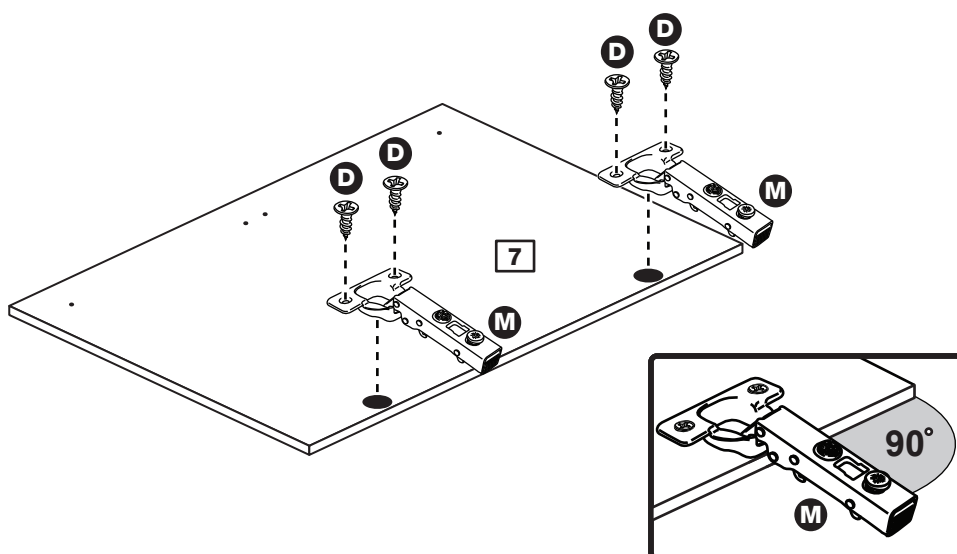
## Step 20

### Prepare the doors

Push fit 2 hinges **M** into each door **7**.

Secure each hinge with 2 screws **D**.

**Note:** Before securing with the screws, make sure that the hinges are positioned at 90 degrees with the front edge of the door.



# Assembly Instructions

## Step 21

### Drill the handle holes in the doors

**Important:** Please follow these instructions carefully.

Lay the doors **7** down onto a smooth surface.

**Important:** Carefully choose which holes you need to drill.

Check that the holes and hinges are in the same place as the diagrams.

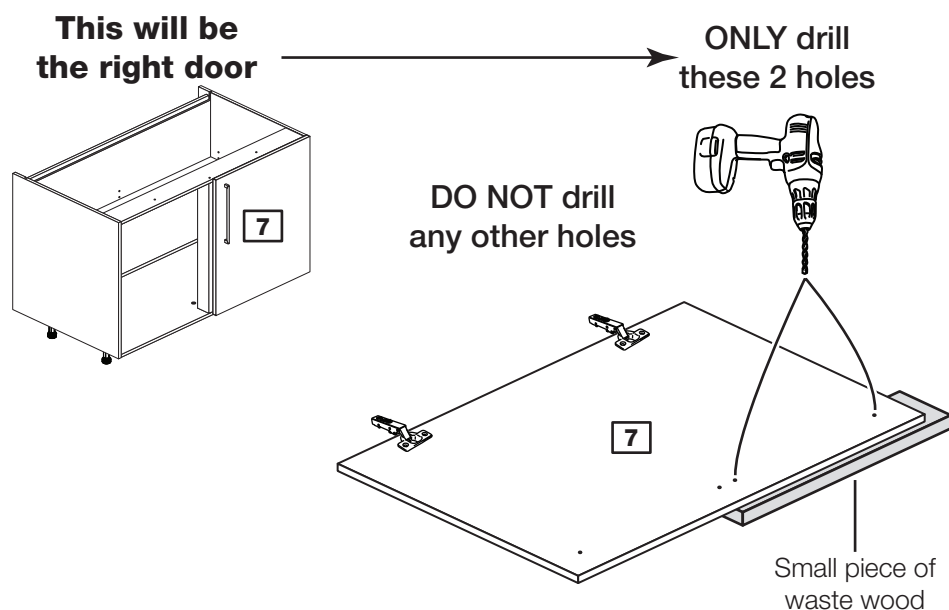
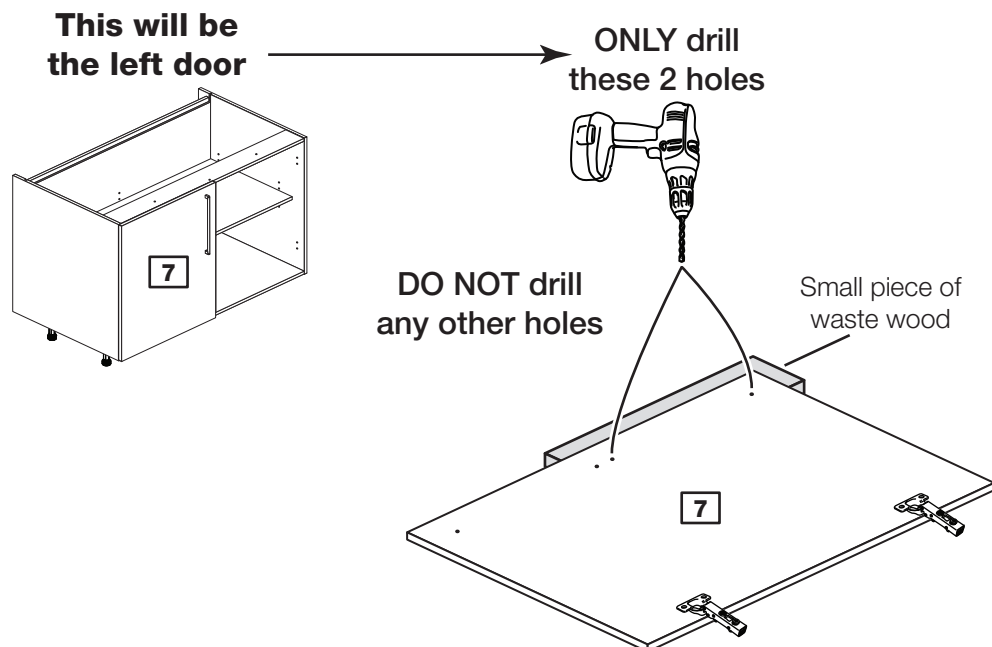
**Note:** We recommend the use of a small piece of waste wood, placed behind the hole while drilling, to reduce the possibility of any breakout.

Using the pilot hole in the rear face of the door **7**, drill through the holes indicated opposite, using a 2.5mm diameter drill.

Turn the door **7** over and open out the 2.5mm holes that you have just drilled by drilling back through them with a 5mm drill.

**Note:** Drill bits are not provided.

PLEASE FOLLOW THESE INSTRUCTIONS CAREFULLY TO CHOOSE WHICH 2 HOLES YOU WILL NEED TO DRILL



# Assembly Instructions

## Step 22

### Fit doors and handles

**2 people are needed here**

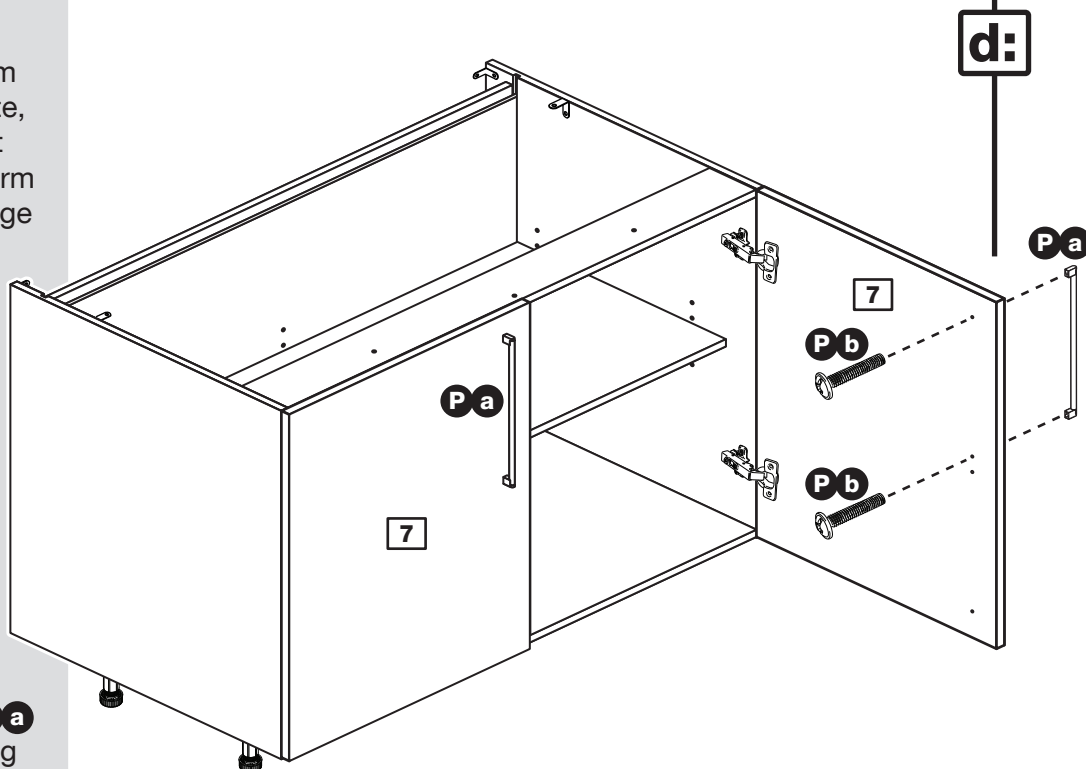
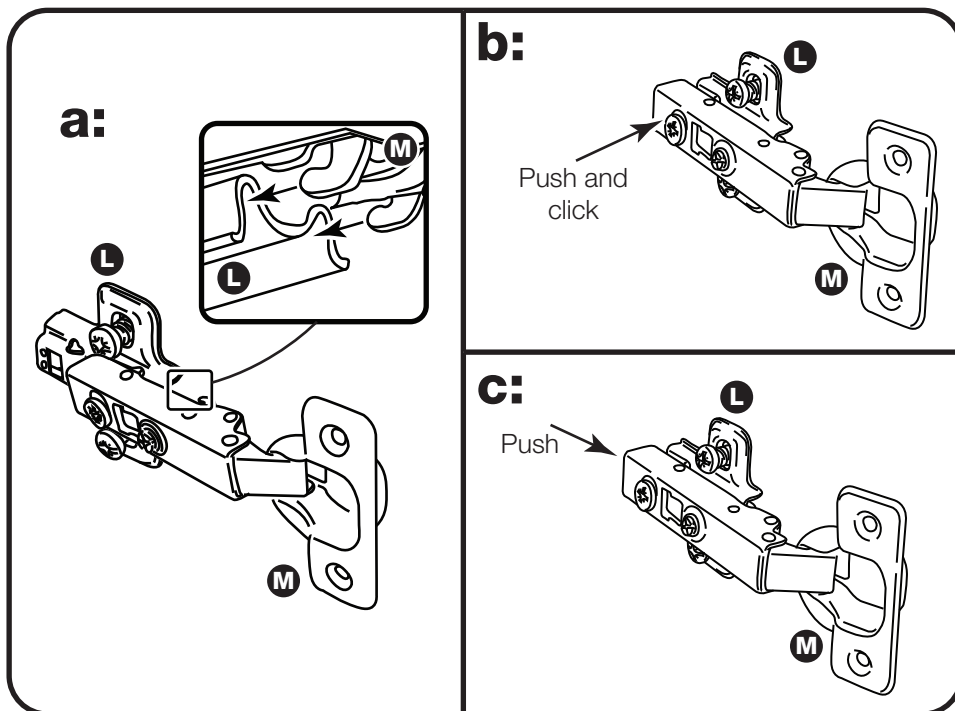
**Note:** The easiest way to attach the door **7** is to fit the top hinge first, then align and fit the other hinge.

**a:** Push the hooks on the hinge arm **M** underneath the front of the hinge plate **L**.

**b:** Press the front of the hinge arm **M** against the hinge plate **L** until it clicks into place.

**c:** If you need to separate the hinge arm **M** from the hinge plate, **L** press the button at the end of the hinge arm and lift it off of the hinge plate.

**d:** Attach a handle **Pa** to each door **7** using the screws **Pb** packed with them.



# Assembly Instructions

## Step 23

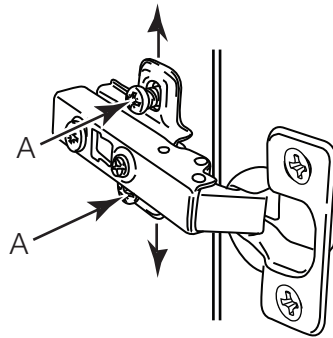
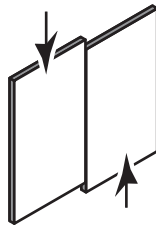
### Adjust the door if needed

#### **a: Height adjustment.**

Loosen screws A on hinge plates and move door up or down as required.

Retighten screw A.

**a:**

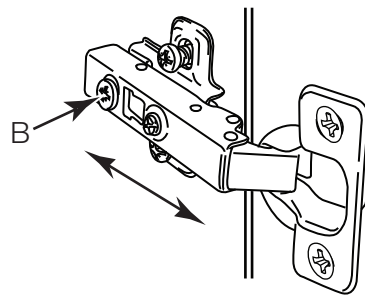
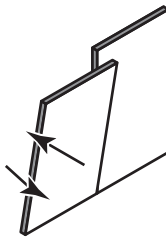


#### **b: Forward and Back adjustment.**

Loosen screw B on hinge arm and move door in or out as required.

Retighten screw B.

**b:**

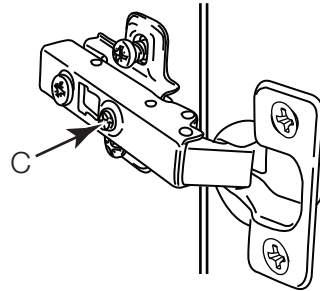
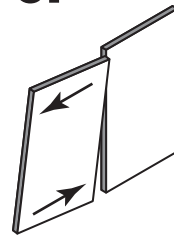


#### **c: Sideways adjustment.**

To move door 'out' loosen screw C.

To move door 'in' tighten screw C

**c:**



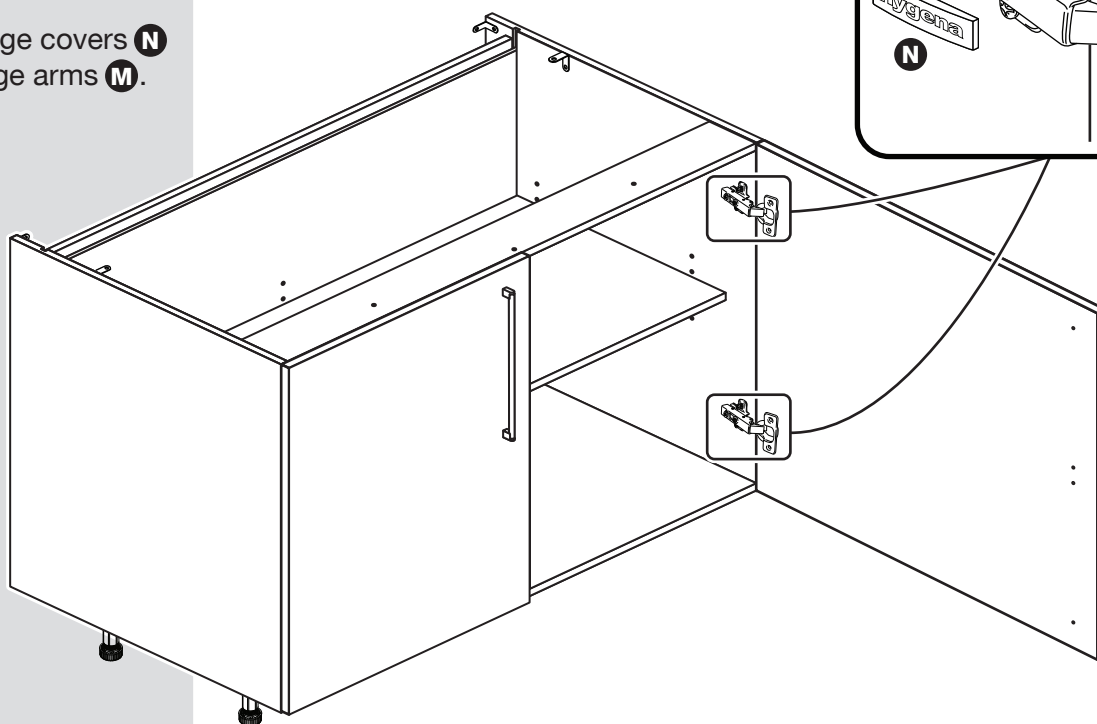


# Assembly Instructions

## Step 24

### Fit the hinge covers

Push the hinge covers **N** onto the hinge arms **M**.



## Step 25

### Fit the plinth

After cutting the plinth to the required length, offer the plinth up to the unit and using a pencil, mark the position of the unit's legs **1b** on the back of the plinth.

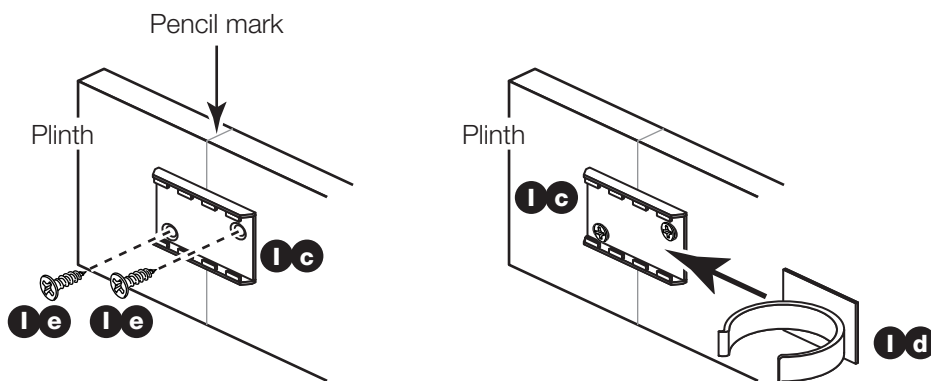
Position the leg bracket **1c** so it is in the centre of the pencil mark and half way up the plinth.

Fix the leg bracket **1c** to the back of the plinth using 2 screws **1e**.

Slide the leg clip **1d** into the leg bracket **1c**.

Offer the plinth up to the unit and push the leg clips **1d** onto the legs **1b**.

Black Plinth Pack	608/2345
Cream Plinth Pack	608/2369
Grey Plinth Pack	608/3784
Plum Plinth Pack	608/3791
White Plinth Pack	608/2352



# Assembly Instructions

## Step 26

### Fit other products to the unit

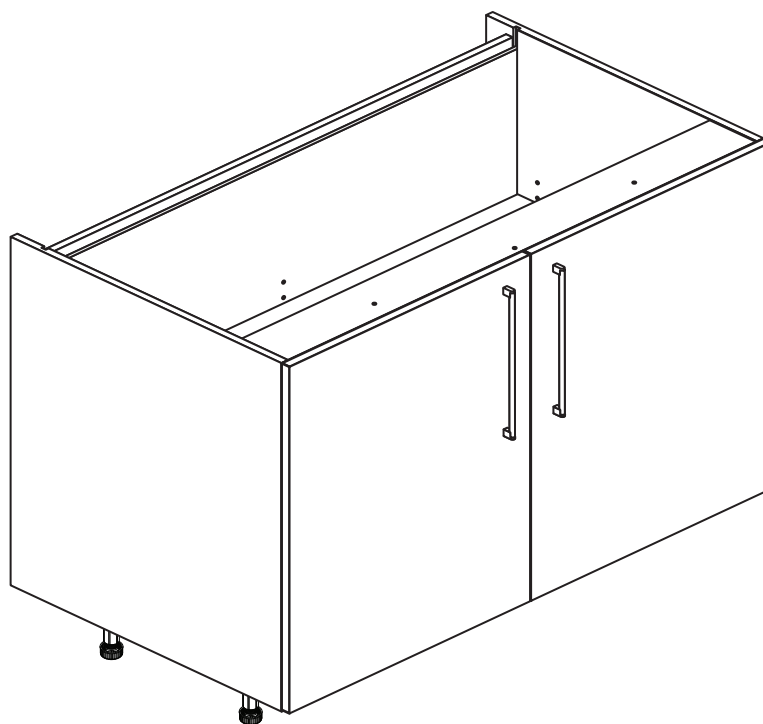
To fit other products to this unit e.g. worktops etc., please follow the instructions packed with them.

We recommend that you consult a qualified joiner or kitchen fitter.

### Assembly is complete



**Warning:** The unit is heavy. Lift with care.



If you need help or have damaged or missing parts, call the **Customer Helpline: 08456 400800** and quote the reference numbers on the component pages.

Argos Ltd, 489-499 Avebury Boulevard, Central Milton Keynes, MK9 2NW



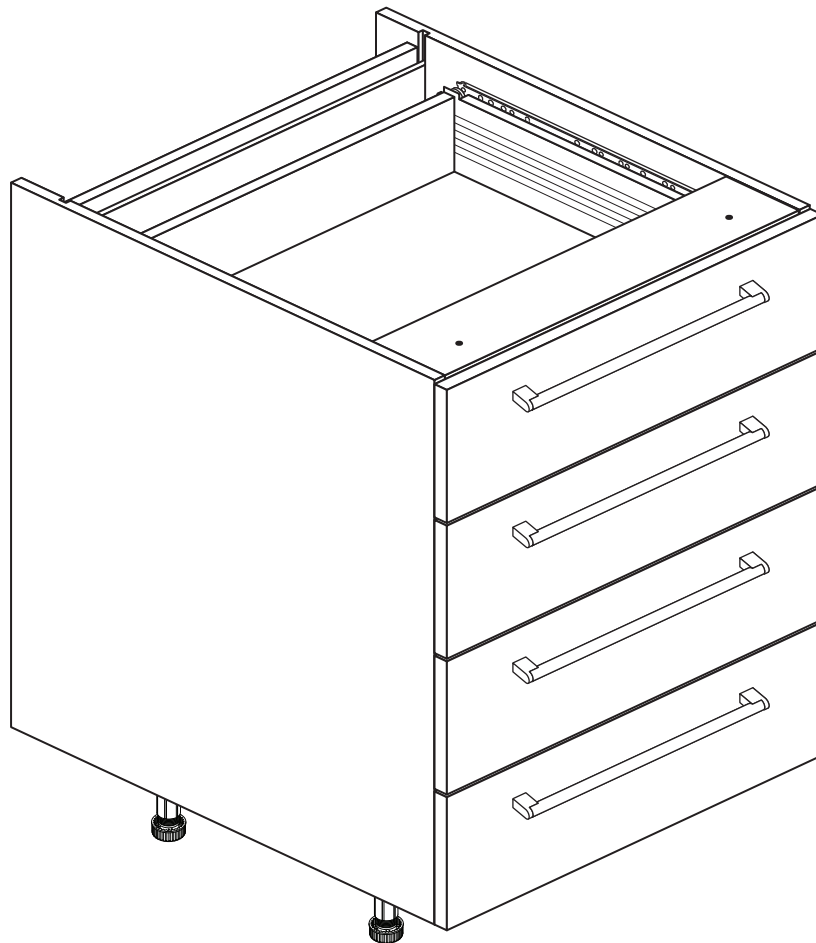


# Valencia - 4 Drawer Cabinet

Assembly Instructions - Please keep for future reference

**hygena**

Cabinet	656/5848
Black Drawer Pack	633/2909
Cream Drawer Pack	633/2734
Oak Drawer Pack	205/4528
White Gloss Drawer Pack	633/2820
White HN Drawer Pack	204/6718



## Dimensions

Width - 50cm

Depth - 59cm

Height - 87cm



**MADE IN  
BRITAIN**

**Important** - Please read these instructions fully before starting assembly

If you need help or have damaged or missing parts, call the **Customer Helpline: 08456 400800**



# Safety and Care Advice

**Important - Please read these instructions fully before starting assembly**

- **Warning:** This unit weighs approximately 16.5kgs. Please lift with care.

- Check you have all the components and tools listed on pages 2, 3 and 4.

- Remove all fittings from the plastic bags and separate them into their groups.

- Keep children and animals away from the work area, small parts could choke if swallowed.

- Parts of the assembly will be easier with 2 people.

- Make sure you have enough space to layout the parts before starting.

- Do not stand or put weight on the product, this could cause damage.

- Assemble the item as close to its final position (in the same room) as possible.

- Assemble on a soft level surface to avoid damaging the unit or your floor (use opened out unit carton).



- We do not recommend the use of power drill/drivers **for inserting screws**, as this could damage the unit. Only use hand screwdrivers.

- **Safety note:** If there is any chance of this unit being pulled over by children etc. it is recommended that the unit is secured to a wall using suitable fixings (not supplied).

- Dispose of all packaging carefully and responsibly.

## Care and maintenance

- Only clean using a damp cloth and mild detergent, do not use bleach or abrasive cleaners.

- From time to time check that there are no loose screws on this unit.

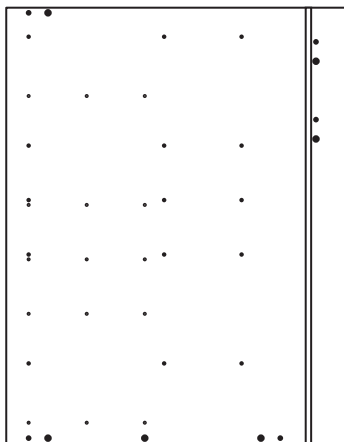
- This product should not be discarded with household waste. Take to your local authority waste disposal centre.

**Note:** If required the next page can be cut out and used as reference throughout the assembly. Keep this page with these instructions for future reference.

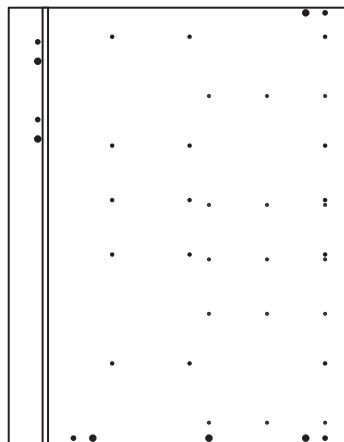
# Components - Panels

If you have damaged or missing components, call the **Customer Helpline: 08456 400800** quoting the reference numbers below

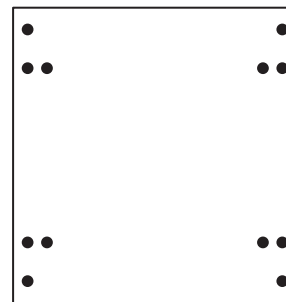
Please check you have all the panels listed below



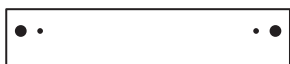
**1** Left Side (DPF087A)  
(720 x 560mm)



**2** Right Side (DPF088A)  
(720 x 560mm)



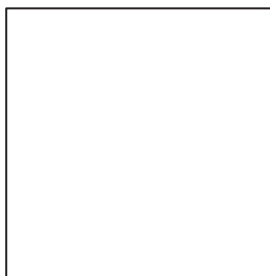
**3** Base (DPF074A)  
(469 x 494mm)



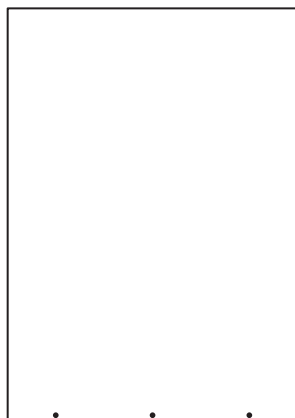
**4** Cross Rail (DPF076A)  
(469 x 96mm) x 2



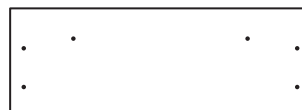
**5** Drawer Back (DPF130A)  
(439 x 98mm) x 4



**6** Drawer Base (DPF129A)  
(439 x 448mm) x 4



**7** Back (DPF077A)  
(479 x 680mm)



**8** Drawer Front (DPF151B)  
(497 x 176mm) x 4

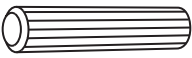
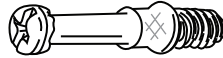




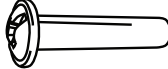

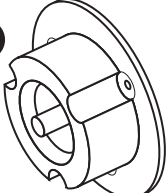
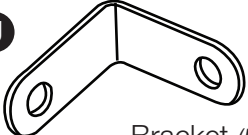

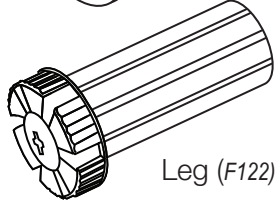
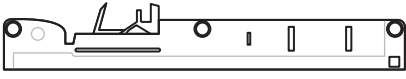

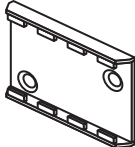
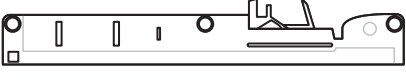
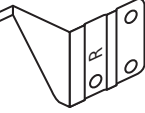



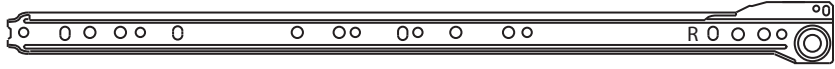
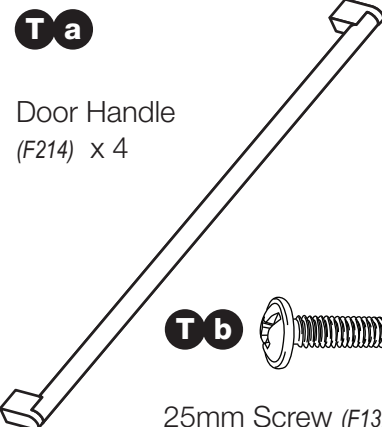
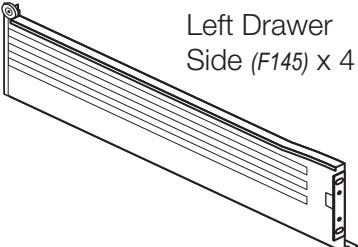
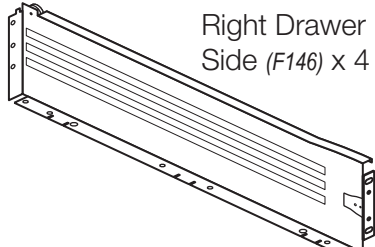



# Components - Fittings

If you have damaged or missing components, call the  
**Customer Helpline: 08456 400800** quoting the reference  
 numbers below

Please check you have all the fittings listed below

**Note:** The quantities below are the correct amount to complete the assembly. In some cases more fittings may be supplied than are required.

<p><b>A</b> </p> <p>Wooden dowel (F22) x 10</p>	<p><b>B</b> </p> <p>Metal dowel (F901) x 8</p>	<p><b>C</b> </p> <p>Large locking nut (F900) x 8</p>
<p><b>D</b> </p> <p>13mm Screw (F63) x 72</p>	<p><b>E</b> </p> <p>13mm Screw (F79) x 6</p>	<p><b>F</b> </p> <p>25mm Screw (F50) x 5</p>
<p><b>G</b> </p> <p>Connecting Sleeve (F432) x 2</p>	<p><b>H</b> </p> <p>19mm Connecting bolt (F461) x 2</p>	<p><b>l a</b> </p> <p>Leg Socket (F120) x 4</p>
<p><b>J</b> </p> <p>Bracket (F945) x 4</p>	<p><b>K</b> </p> <p>13mm Screw (F52) x 48</p>	<p><b>l b</b> </p> <p>Leg (F122) x 4</p>
<p><b>L</b> </p> <p>Left Soft Close Unit (F141) x 4</p>	<p><b>M</b> </p> <p>Left Soft Close Catch (F143) x 4</p>	<p><b>l c</b> </p> <p>Leg Bracket (F127) x 2</p>
<p><b>N</b> </p> <p>Right Soft Close Unit (F142) x 4</p>	<p><b>O</b> </p> <p>Right Soft Close Catch (F144) x 4</p>	<p><b>l d</b> </p> <p>Leg Clip (F128) x 2</p>
<p><b>P</b> </p> <p>Left Runner (F139) x 4</p>		<p><b>l e</b> </p> <p>16mm Screw (F129) x 16</p>
<p><b>Q</b> </p> <p>Right Runner (F140) x 4</p>		<p><b>T a</b> </p> <p>Door Handle (F214) x 4</p>
<p><b>R</b> </p> <p>Left Drawer Side (F145) x 4</p>	<p><b>S</b> </p> <p>Right Drawer Side (F146) x 4</p>	<p><b>T b</b> </p> <p>25mm Screw (F132) x 8</p>



# Assembly Instructions

If you have damaged or missing components, call the  
**Customer Helpline: 08456 400800** quoting the reference  
numbers below

## Step 1

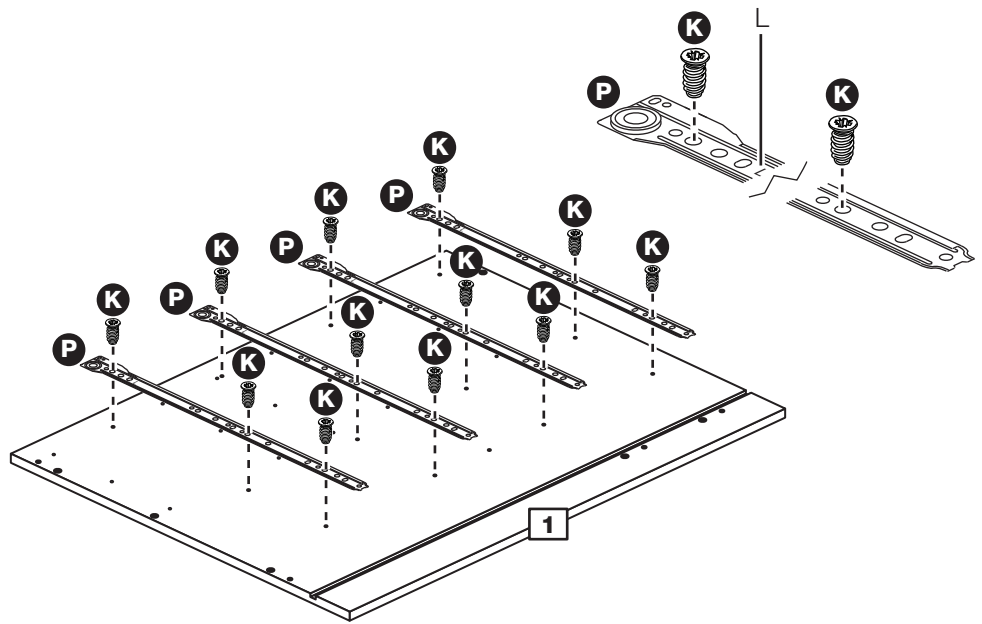
### Fit the left runners to the left side

Fit the 4 left runners **P** marked 'L' to the left side **1**.

The 1st screw **K** uses the 2nd hole in from the front of the runner.

The 2nd screw **K** uses the 4th hole in from the back of the runner.

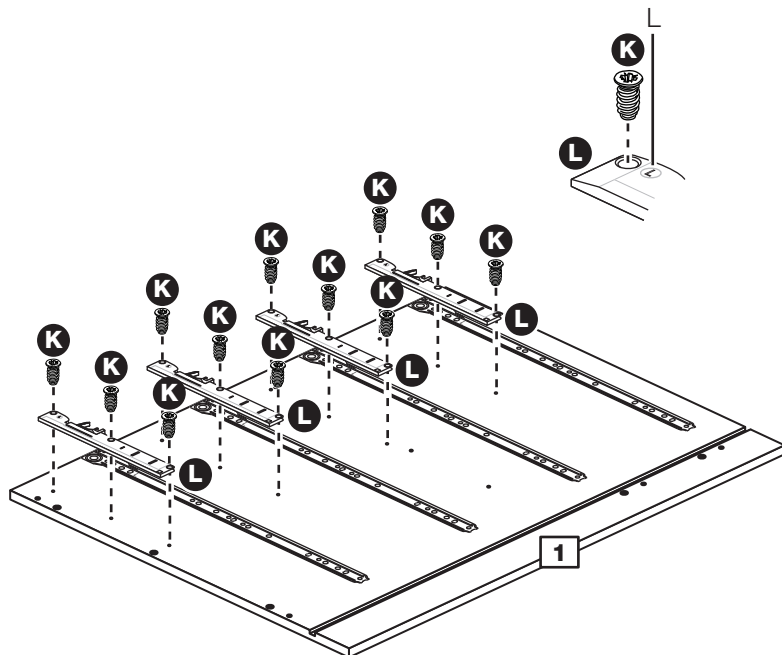
The 3rd screw **K** uses the 8th hole in from the back of the runner.



## Step 2

### Fit left soft close units to the left side

Fit the 4 left soft close units **L** marked 'L' to the left side **1** using 3 screws **K**.



# Assembly Instructions

## Step 3

### Prepare the left side

Screw 4 metal dowels **B** into the holes shown on the left side **1**.

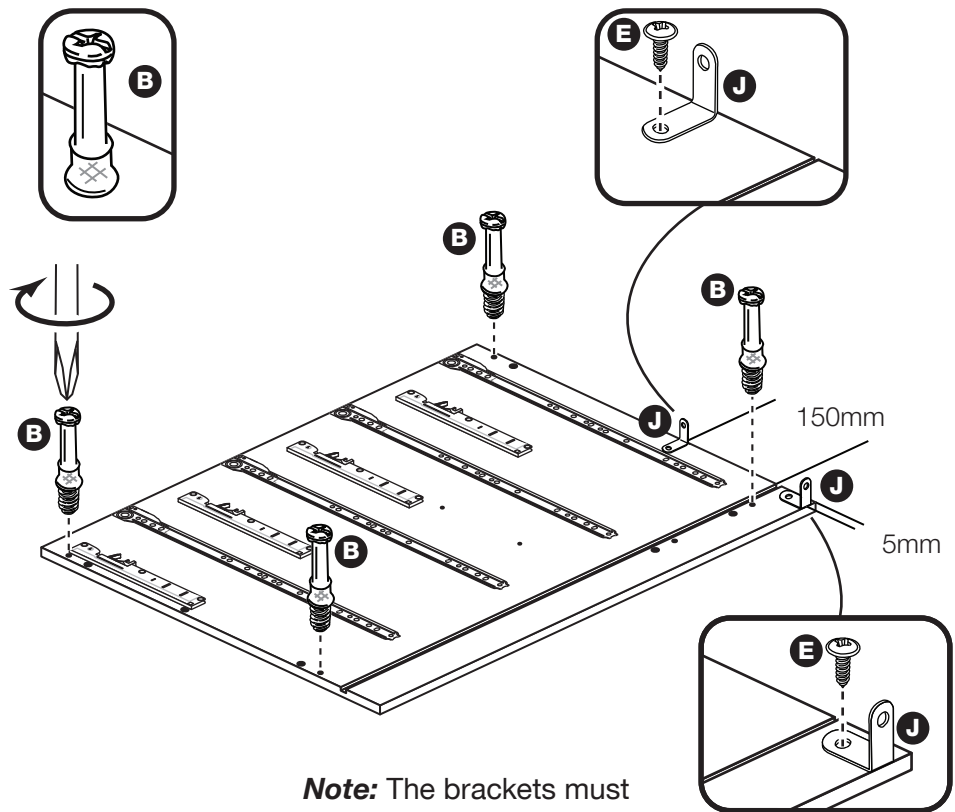
**Note:** Tighten metal dowels up fully against the panels.

Fit a bracket **J** flush to the top edge of the left side **1**, about 150mm in from the groove, see diagram.

Secure the bracket **J** using screw **E**.

Fit another bracket **J** flush to the back edge of the left side **1**, about 5mm down from the top edge, see diagram.

Secure the bracket **J** using screw **E**.



**Note:** The brackets must be flush with the top/back edge of the panel.

## Step 4

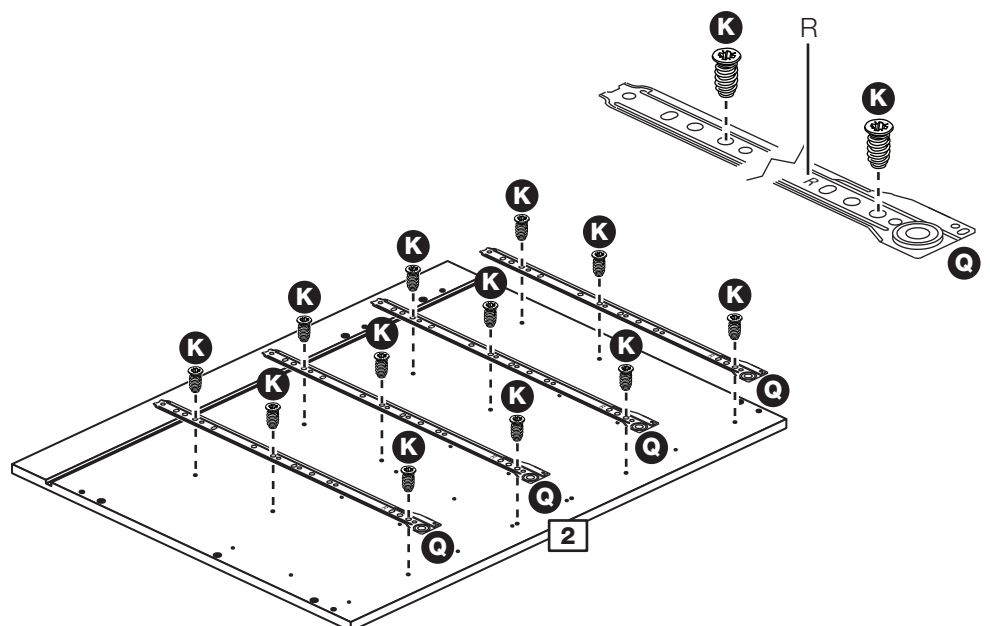
### Fit the right runners to the right side

Fit the 4 right runners **Q** marked 'R' to the right side **2**.

The 1st screw **K** uses the 2nd hole in from the front of the runner.

The 2nd screw **K** uses the 4th hole in from the back of the runner.

The 3rd screw **K** uses the 8th hole in from the back of the runner.

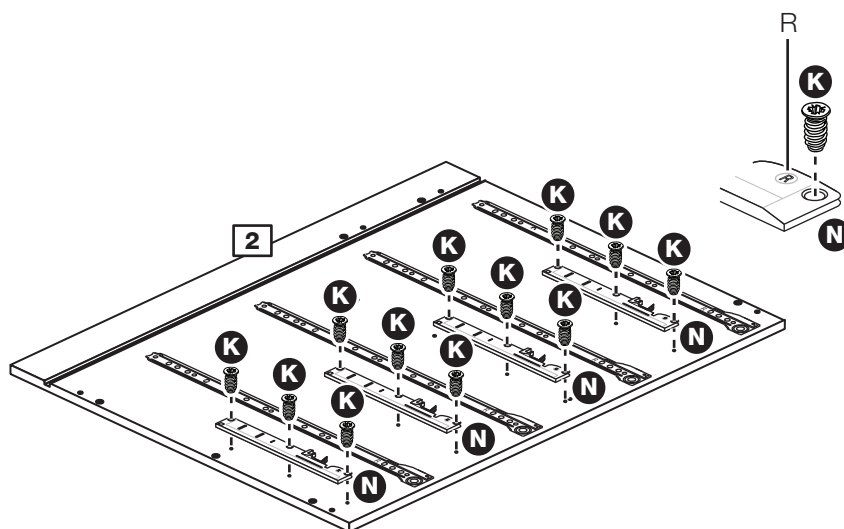


# Assembly Instructions

## Step 5

### Fit soft close units to the right side

Fit the 4 right soft close units **N** marked 'R' to the right side **2** using 3 screws **K**.



## Step 6

### Prepare the right side

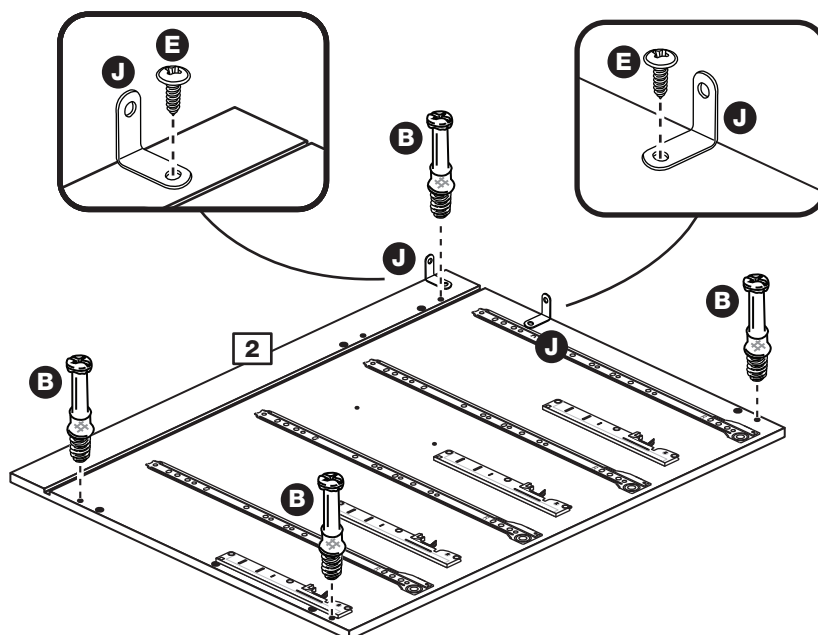
Screw 4 metal dowels **B** into the holes shown on the right side **2**.

Fit a bracket **J** flush to the top edge of the right side **2**, about 150mm in from the groove, see diagram.

Secure the bracket **J** using screw **E**.

Fit another bracket **J** flush to the back edge of the right side **2**, about 5mm down from the top edge, see diagram.

Secure the bracket **J** using screw **E**.



# Assembly Instructions

## Step 7

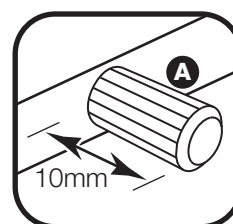
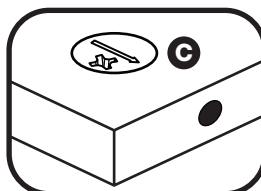
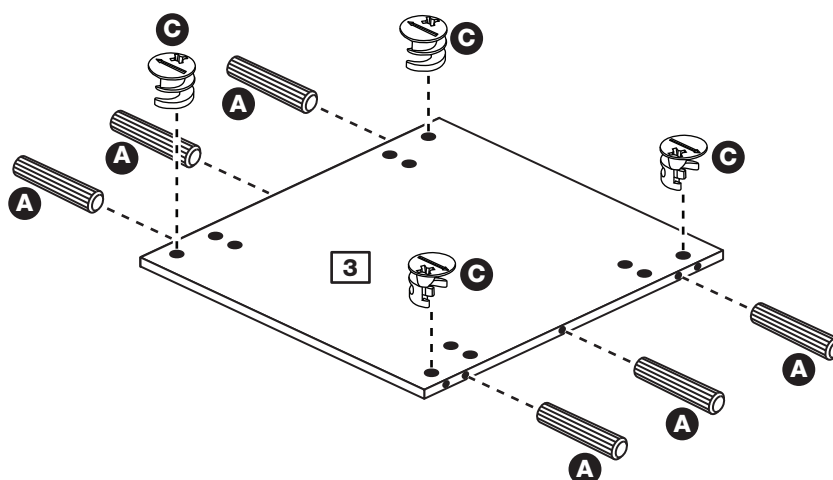
### Prepare the base

Insert 4 large locking nuts **C** into the base **3** as shown.

**Note:** Arrow on locking nut **must** point towards hole in edge of panel.

Tap 6 wooden dowels **A** into the base **3** as shown.

**Note:** Wooden dowels **must not** stick out from the edge by more than 10mm or they may damage other panels.



## Step 8

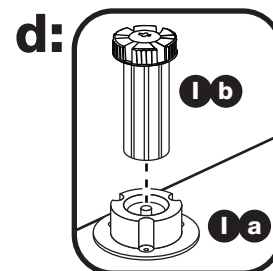
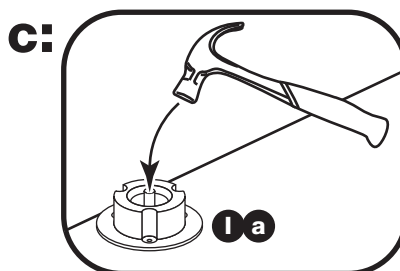
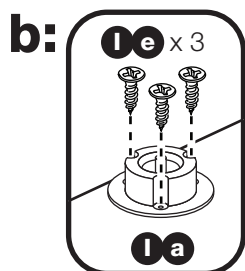
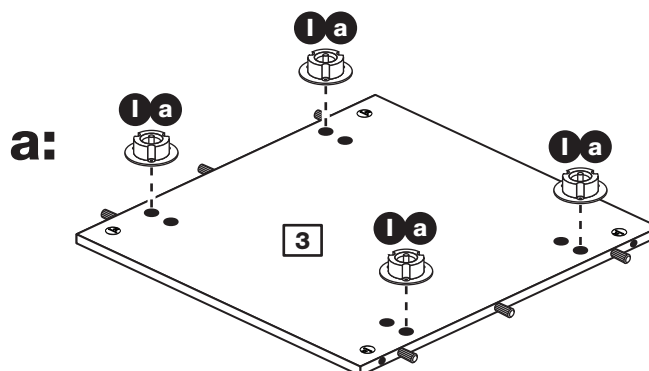
### Fit the legs to the base

**a:** Push the leg sockets **1a** into the holes in the base **3** as shown.

**b:** Secure each leg socket **1a** with 3 screws **1e**.

**c:** Tap in the centre plug on each leg socket **1a**.

**d:** Push the leg **1b** into the leg socket **1a**.



# Assembly Instructions

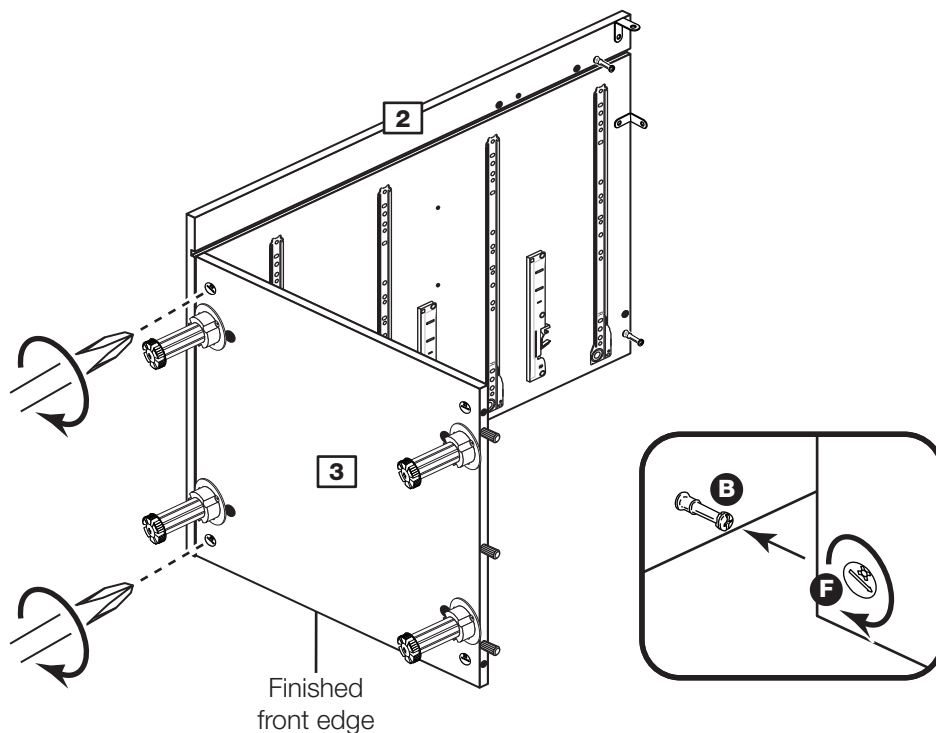
## Step 9

### Join the right side and base

Push the base **3** onto the right side **2**.

Use a screwdriver to tighten the 2 large locking nuts **C** fitted to the base **3**.

**Note:** Turn the large locking nuts **C** as far as they will go - more than 1/2 a turn.

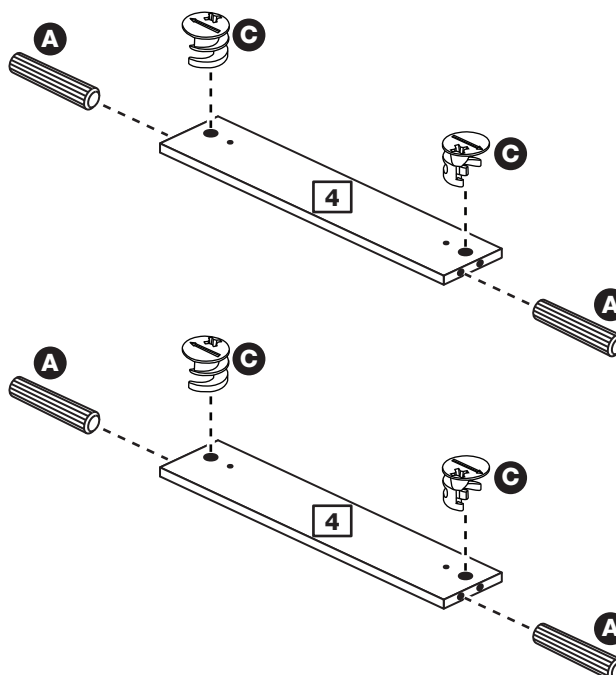


## Step 10

### Prepare the 2 cross rails

Insert 2 large locking nuts **C** into the cross rails **4** as shown.

Tap 2 wooden dowels **A** into the cross rails **4** as shown.



# Assembly Instructions

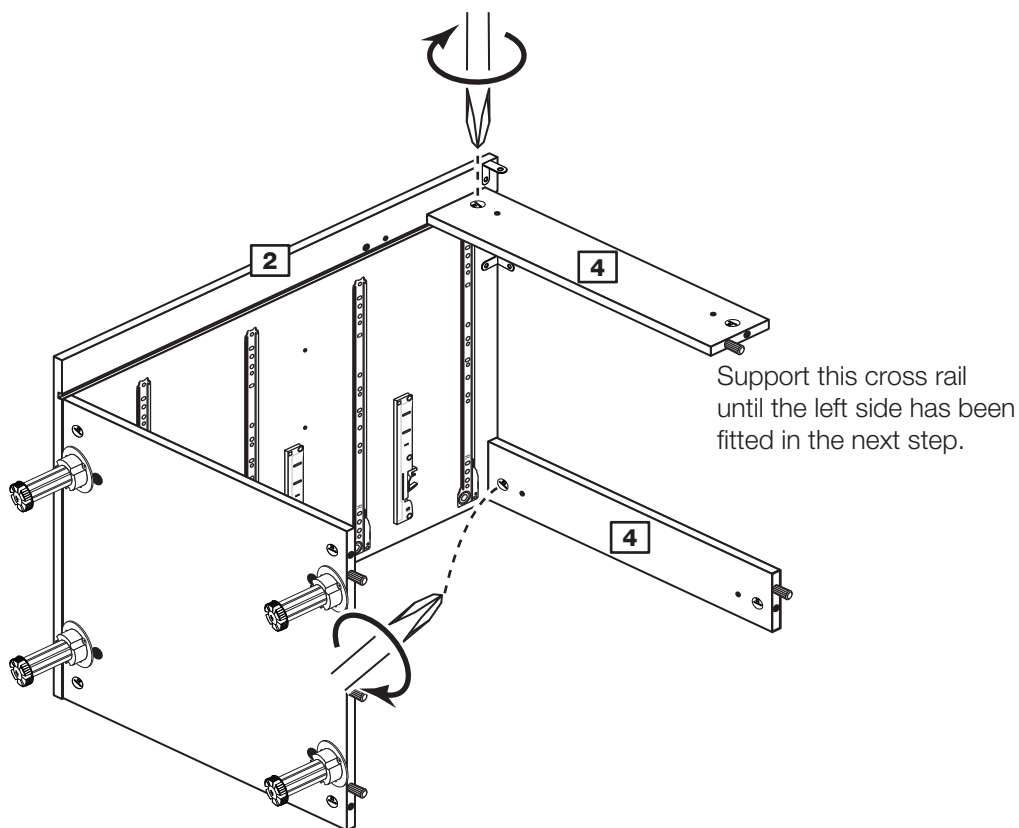
## Step 11

### Fit the 2 cross rails

Push each cross rail **4** onto the right side **2**.

Use a screwdriver to tighten the large locking nut **C** fitted to each cross rail **4**.

**Note:** Turn the large locking nuts **C** as far as they will go - more than 1/2 a turn.



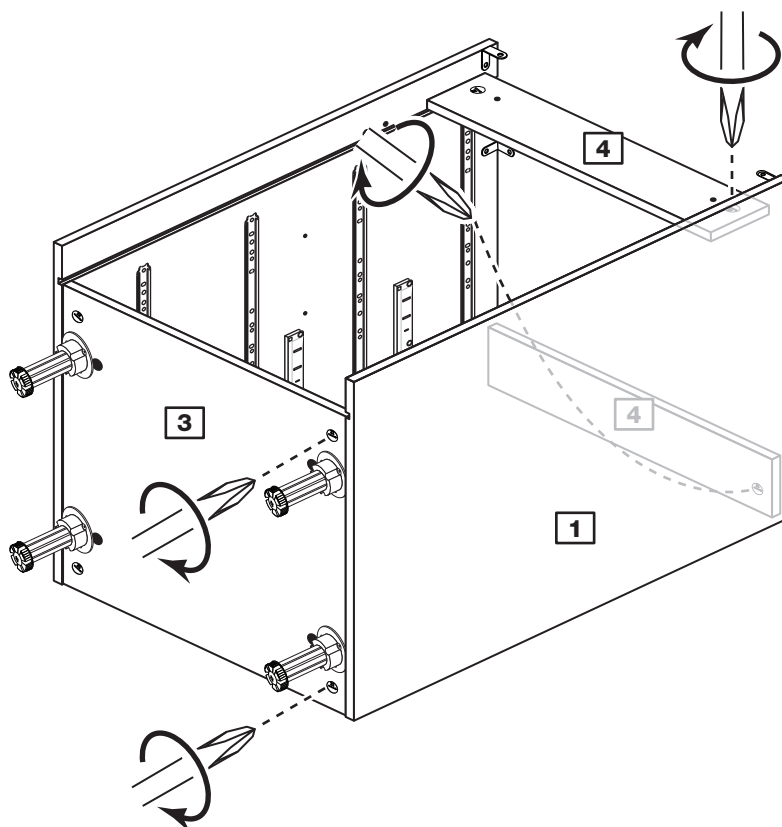
## Step 12

### Fit the left side

Push the left side **1** onto the assembly.

Use a screwdriver to tighten the large locking nut **C** fitted to the 2 cross rails **4** and the 2 fitted to the base **3**.

**Note:** Turn the large locking nuts **C** as far as they will go - more than 1/2 a turn.

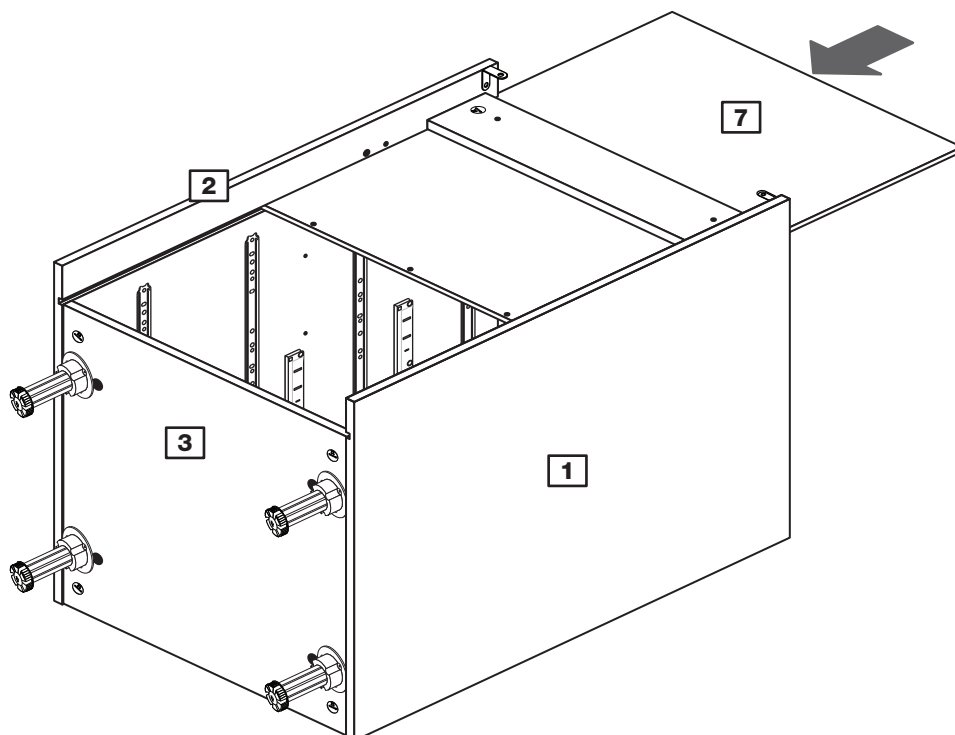


# Assembly Instructions

## Step 13

### Fit the back

Slide the back **7** along the grooves in the side panels **1** and **2**.



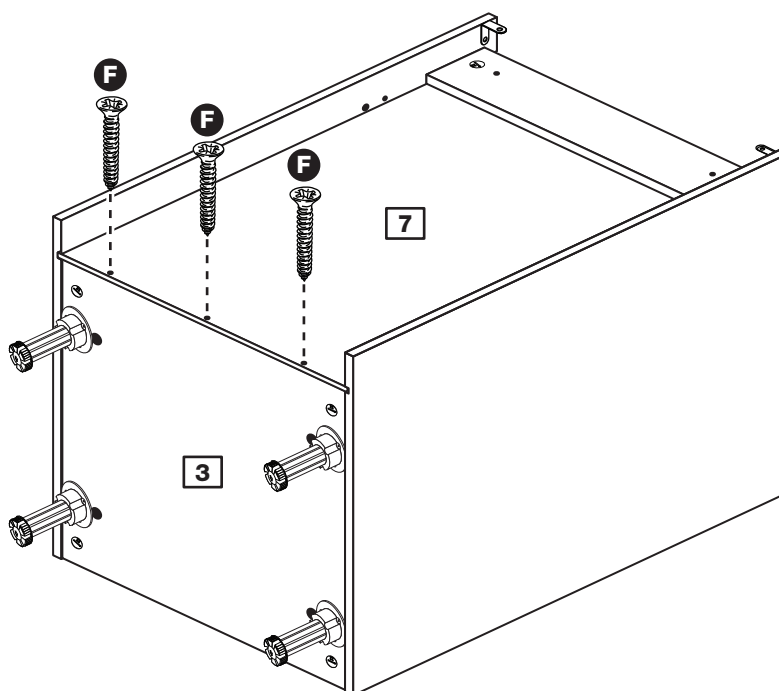
## Step 14

### Secure the back

The bottom edge of the back **7** must be flush with the bottom edge of the base **3**.

Secure the back **7** to the back edge of the base **3** using 3 screws **F**.

**Stand the unit up for the next stage.**



# Assembly Instructions

## Step 15

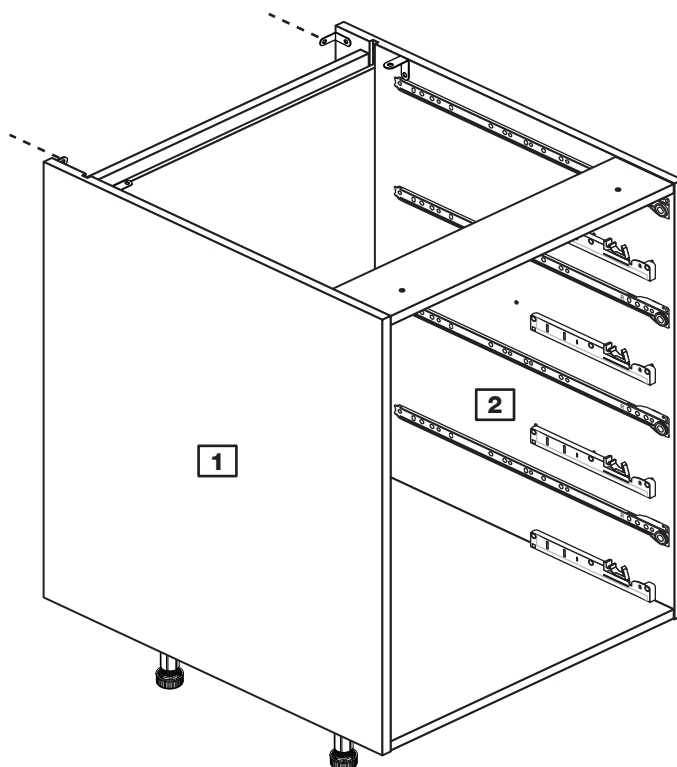
### Secure the unit to the wall

Using the brackets **F** fitted to the back edge of the sides **1** and **2** screw the unit to the wall.

Fixings are not supplied as they will need to suit the wall type, and the length of screw will depend on the distance of the back of the Unit to the wall.



**Warning:** Take care when drilling the wall that you do not drill into any pipes, wires etc. If in doubt, consult an expert.



## Step 16

### Joining units together

Fittings have been supplied so you are able to join units together.

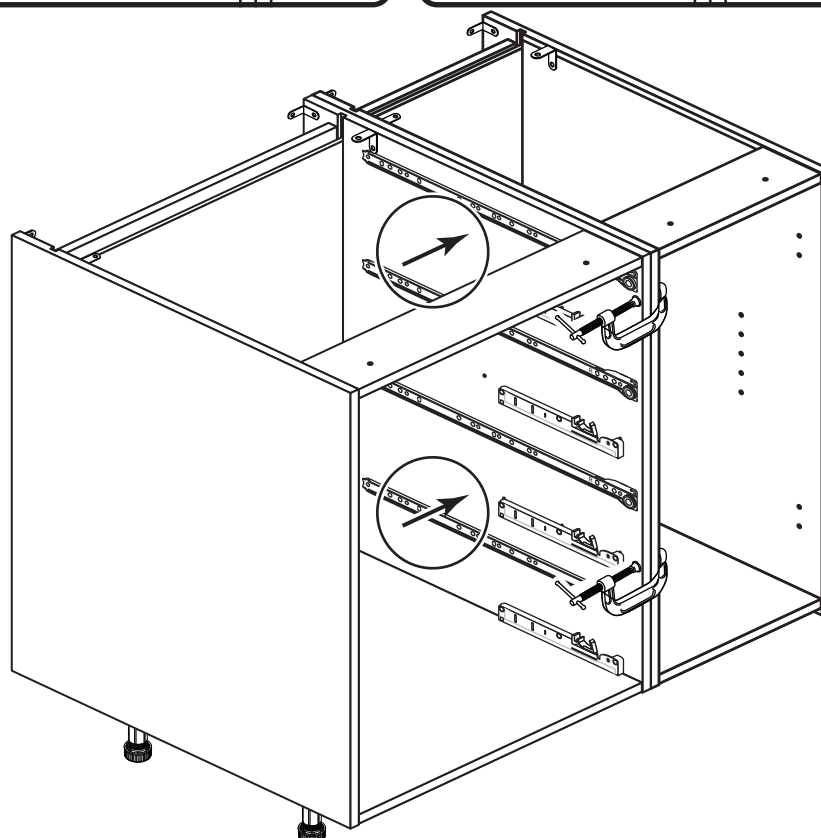
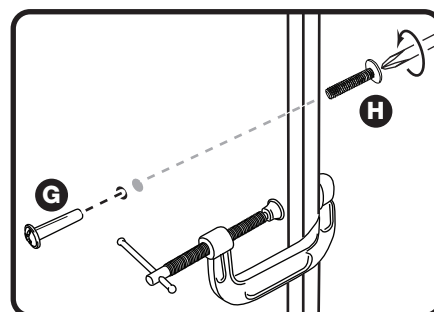
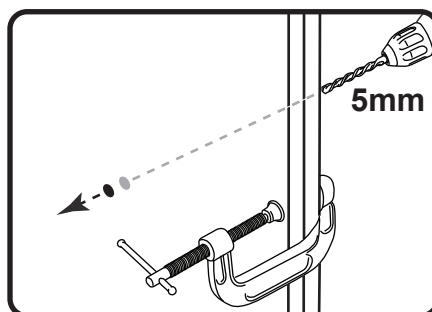
Make sure that your first unit is level.

Push the other unit up against first unit and ensure both units are level.

Check that the ends are flush and in line, then clamp them together.

Using a 5mm drill bit, drill 2 holes (approximate positions shown circled) in the side panel into the adjoining side panel of the other unit.

Push the connecting sleeves **G** into the holes and then screw the connecting bolts **H** in from the other side.





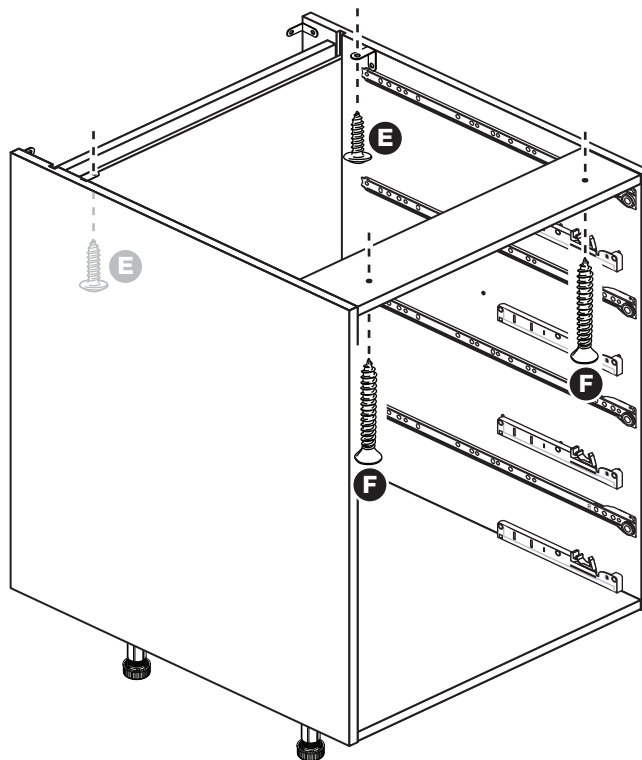
# Assembly Instructions

## Step 17

### Fit the unit to worktop

To fit the unit to the worktop use 2 screws **F** to screw up through the holes in the cross rail **4** as shown.

Then use 2 screws **E** to screw up through the brackets **J** as shown.



## Step 18

### Drill the handle holes in the drawer fronts

Lay the drawer front **8** down onto a soft, smooth surface.

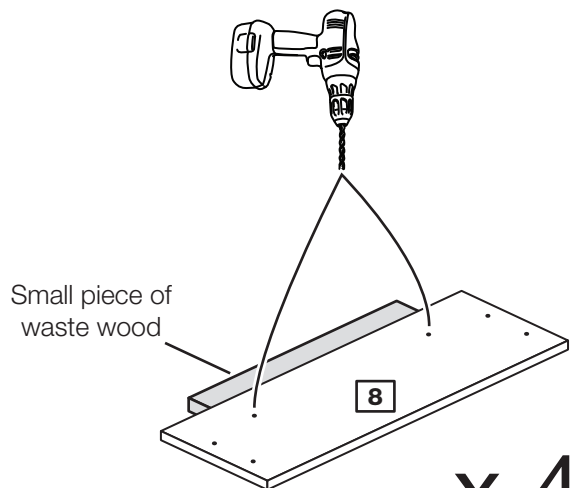
**Note:** We recommend the use of a small piece of waste wood, placed behind the hole while drilling, to reduce the possibility of any breakout.

Using the pilot holes in the rear face of the drawer front **8**, drill through the holes using a 2.5mm diameter drill.

Turn the drawer front **8** over and open out the 2.5mm holes that you have just drilled by drilling back through them with a 5mm drill.

**Note:** Drill bits are not provided.

ONLY drill these 2 holes



x 4

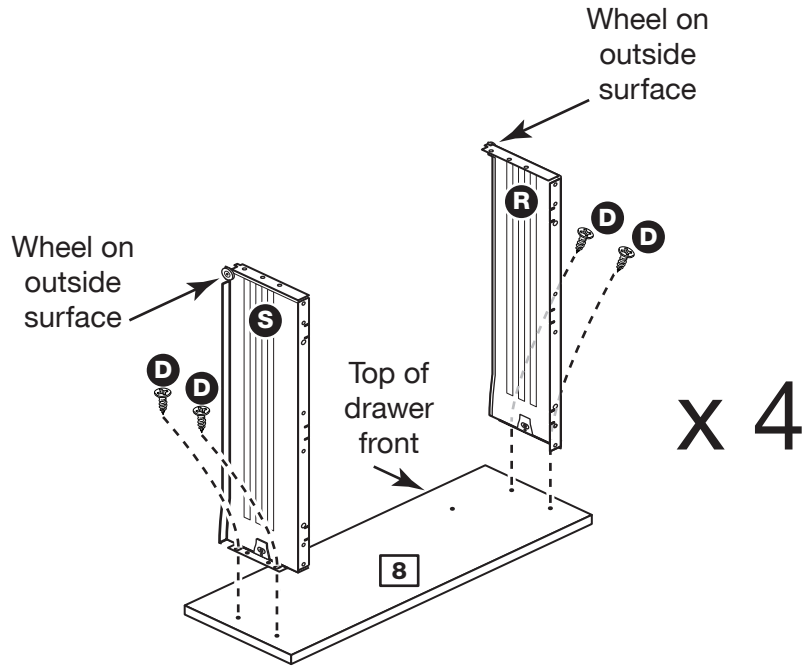
# Assembly Instructions

## Step 19

### Prepare the drawers

Fit the left drawer side **R** and right side drawer side **S** onto the drawer front **8** using 4 screws **D** into the slotted holes.

**Important:** Make sure that the drawer sides and drawer front are the correct way around.

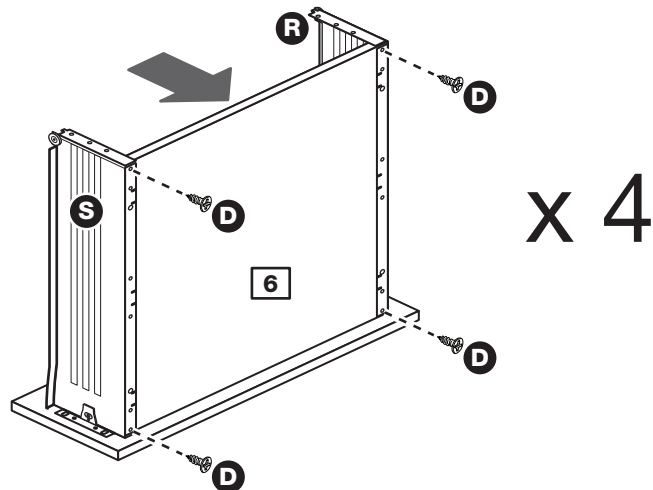


## Step 20

### Fit the drawer base

Push the drawer base **6** against the bottom of the drawer sides **R** and **S**.

While holding it in place, secure the drawer base **D** using 4 screws **6** into the front and back holes, as shown.

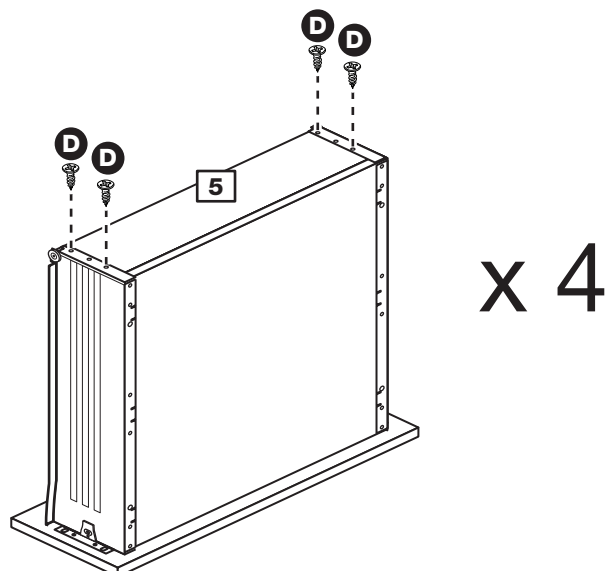


## Step 21

### Fit the drawer back

Push the drawer back **5** up into the drawer assembly.

While holding it in place, secure the drawer back **5** using 4 screws **D** into the top and bottom holes, as shown.



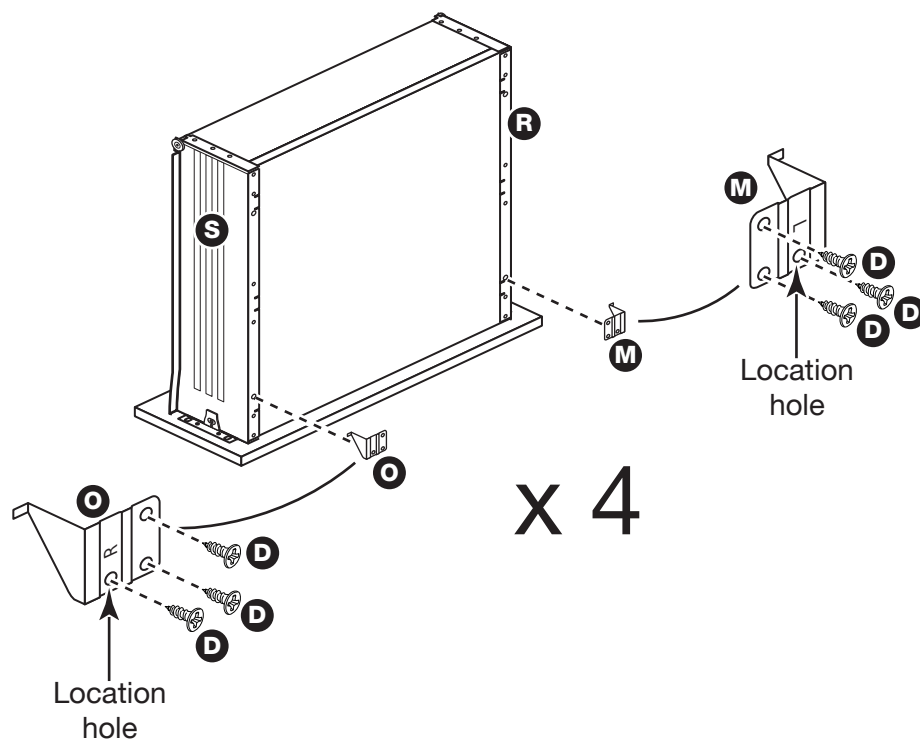
# Assembly Instructions

## Step 22

### Fit the soft close catches

Position the location hole of the right soft close catch **O** marked 'R' into the 3rd hole up from the front of the right drawer side **S** then secure using 3 screws **D**.

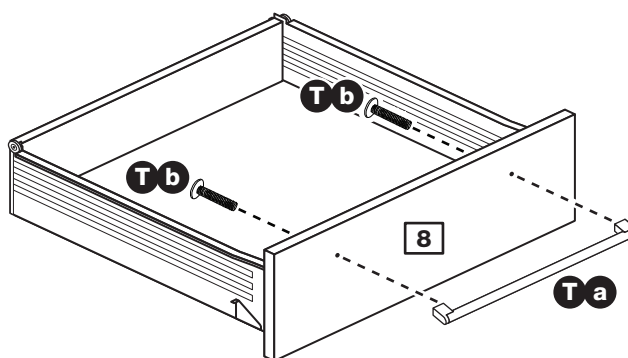
Position the location hole of the left soft close catch **M** marked 'L' into the 3rd hole up from the front of the left drawer side **R** and secure using 3 screws **D**.



## Step 23

### Fit the handle

Attach the handle **T a** supplied with the drawer front **8** using the screw(s) **T b** packed with it.

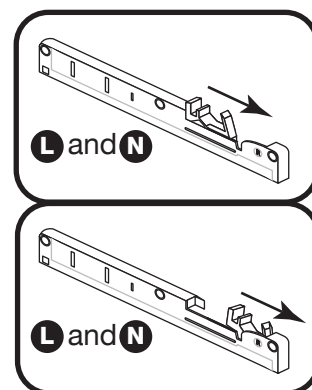
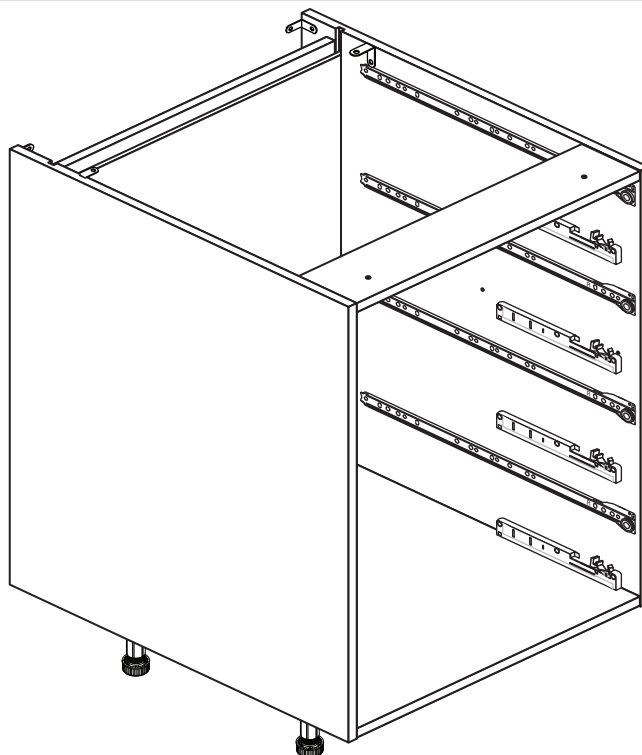


# Assembly Instructions

## Step 24

### Prepare the soft close units

Before fitting the drawers you will need to push the movable part of the 8 soft close units **L** and **N** forward until it clicks into place.

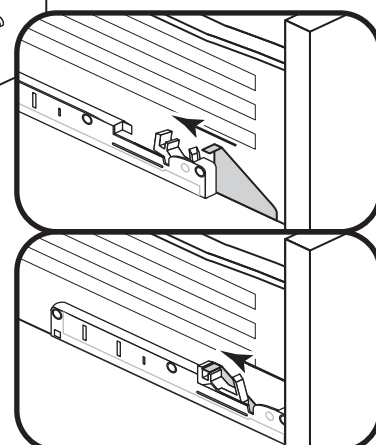
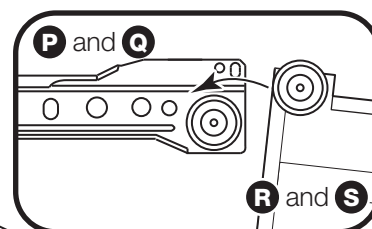
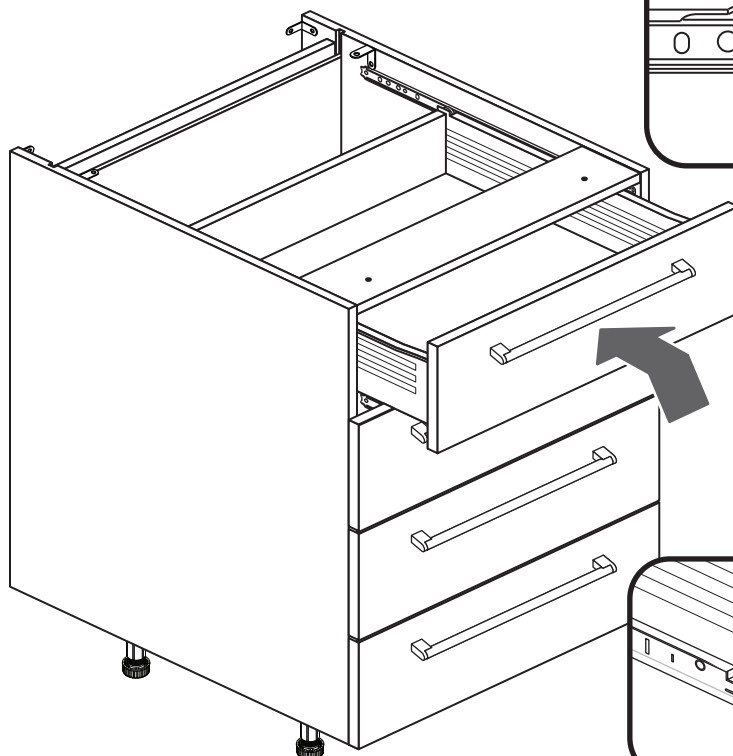


## Step 25

### Fit the drawers

Slide the wheels on the drawer sides **R** and **S** over the wheels on the runners **P** and **Q** then push the drawer into position.

**Important:** Make sure that 2 soft close catches on each drawer engage with the soft close units fitted to the side panels.



# Assembly Instructions

## Step 26

### Fit the plinth

After cutting the plinth to the required length, offer the plinth up to the unit and using a pencil, mark the position of the unit's legs **Ib** on the back of the plinth.

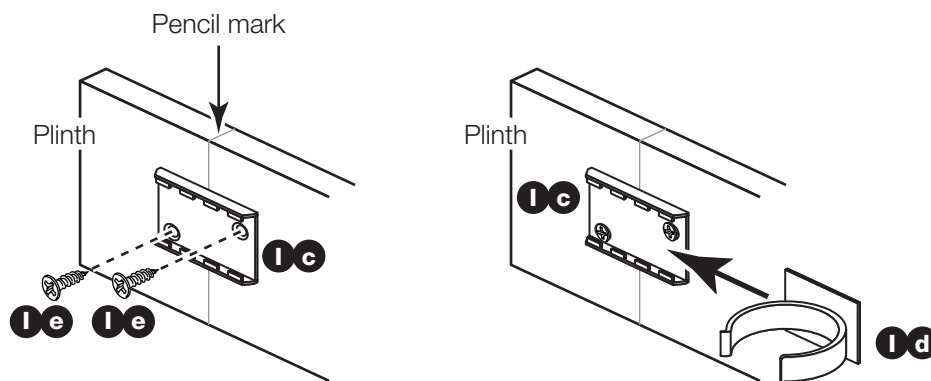
Position the leg bracket **Ic** so it is in the centre of the pencil mark and half way up the plinth.

Fix the leg bracket **Ic** to the back of the plinth using 2 screws **Ie**.

Slide the leg clip **Id** into the leg bracket **Ic**.

Offer the plinth up to the unit and push the leg clips **Id** onto the legs **Ib**.

Black Plinth Pack	608/2345
Cream Plinth Pack	608/2369
Oak Plinth Pack	205/5668
White Gloss Plinth Pack	608/2352
White HN Plinth Pack	198/9917



## Step 27

### Fit other products to the unit

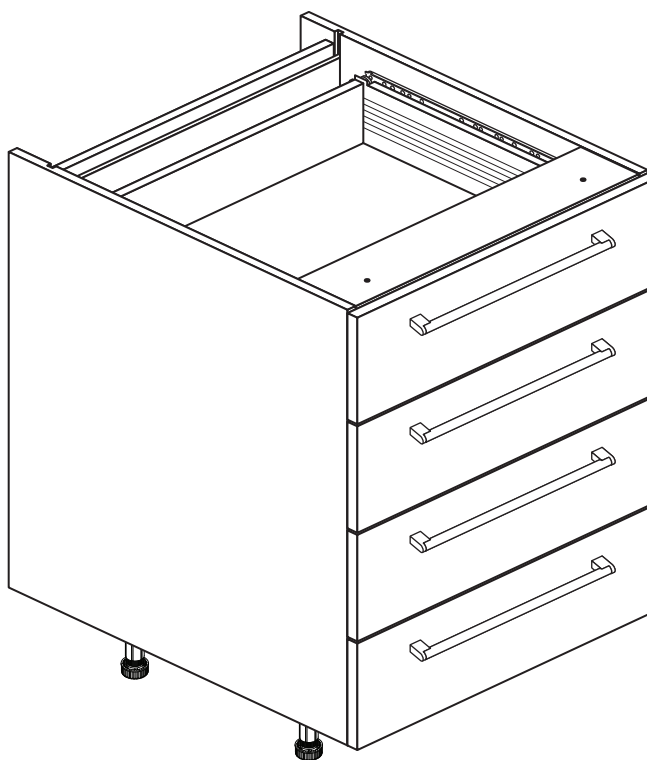
To fit other products to this unit e.g. worktops etc., please follow the instructions packed with them.

We recommend that you consult a qualified joiner or kitchen fitter.

### Assembly is complete



**Warning:** The unit is heavy. Lift with care.



If you need help or have damaged or missing parts, call the **Customer Helpline: 08456 400800** and quote the reference numbers on the component pages.

Argos Ltd, 489-499 Avebury Boulevard, Central Milton Keynes, MK9 2NW







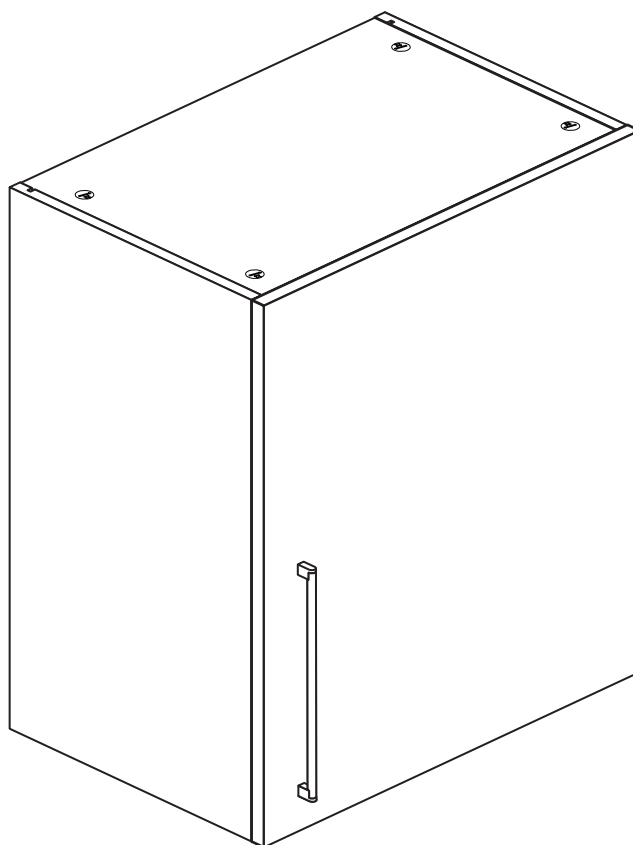


# Valencia - 500mm Wall Cabinet

Assembly Instructions - Please keep for future reference

**hygena**

Cabinet	656/5721
Black Door Pack	633/2882
Cream Door Pack	633/2710
Grey Door Pack	656/5295
Plum Door Pack	656/4540
White Door Pack	633/2806



## Dimensions

Width - 50cm

Depth - 34cm

Height - 72cm



**MADE IN  
BRITAIN**

**Important** - Please read these instructions fully before starting assembly

If you need help or have damaged or missing parts, call the **Customer Helpline: 08456 400800**



# Safety and Care Advice

**Important - Please read these instructions fully before starting assembly**

- **Warning:** This unit weighs approximately 10kgs. Please lift with care.
- Check you have all the components and tools listed on pages 1, 2 and 3.
- Remove all fittings from the plastic bags and separate them into their groups.
- Keep children and animals away from the work area, small parts could choke if swallowed.
- Parts of the assembly will be easier with 2 people.

- Make sure you have enough space to layout the parts before starting.
- Do not stand or put weight on the product, this could cause damage.
- Assemble the item as close to its final position (in the same room) as possible.
- Assemble on a soft level surface to avoid damaging the unit or your floor (use opened out unit carton).



• We do not recommend the use of power drill/drivers **for inserting screws**, as this could damage the unit. Only use hand screwdrivers.

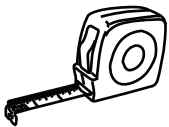
• **Safety note:** It is recommended that this unit is secured to a wall using the brackets supplied.

• Dispose of all packaging carefully and responsibly.

## Care and maintenance

- Only clean using a damp cloth and mild detergent, do not use bleach or abrasive cleaners.
- From time to time check that there are no loose screws on this unit.
- This product should not be discarded with household waste. Take to your local authority waste disposal centre.

## Tools required



Rule



Cross-head screwdriver



Scissors



Hammer



Eye protection (when using a hammer or drill)



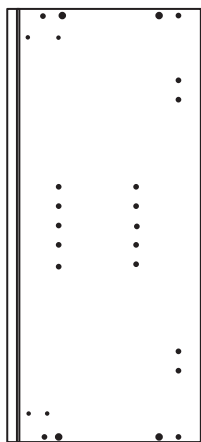
Electric drill

**Note:** If required the next page can be cut out and used as reference throughout the assembly. Keep this page with these instructions for future reference.

# Components - Panels

If you have damaged or missing components, call the **Customer Helpline: 08456 400800** quoting the reference numbers below

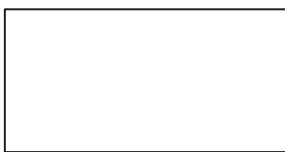
Please check you have all the panels listed below



**1** End Panel (DPF141A)  
(320 x 716 mm) x 2



**2** Top/Base Panel (DPF091A)  
(469 x 319 mm) x 2



**3** Loose Shelf (DPF092A)  
(468 x 236mm)



**4** Back Panel (DPF093A)  
(479 x 694 mm)



**5** Valencia Door (DPF147B)  
(497 x 716mm)

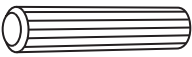
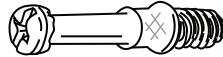


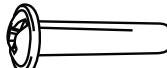


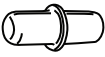

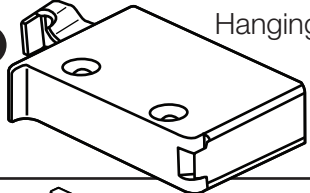
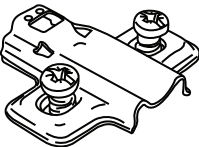
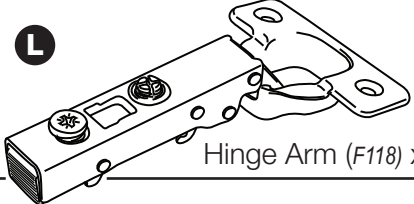

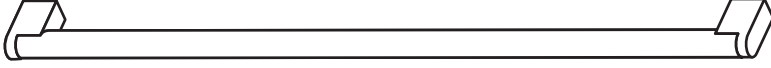



# Components - Fittings

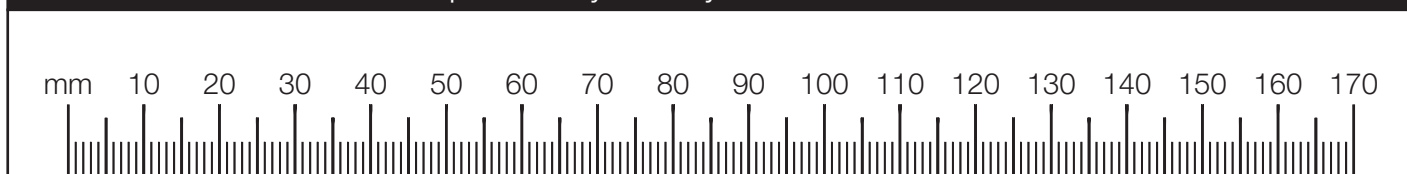
If you have damaged or missing components, call the  
**Customer Helpline: 08456 400800** quoting the reference  
 numbers below

Please check you have all the fittings listed below

**Note:** The quantities below are the correct amount to complete the assembly. In some cases more fittings may be supplied than are required.

<p><b>A</b> </p> <p>Wooden dowel (F22) x 8</p>	<p><b>B</b> </p> <p>Metal dowel (F901) x 8</p>	<p><b>C</b> </p> <p>Large locking nut (F900) x 8</p>
<p><b>D</b> </p> <p>13mm Screw (F63) x 4</p>	<p><b>E</b> </p> <p>Connecting Sleeve (F432) x 2</p>	<p><b>F</b> </p> <p>19mm Connecting bolt (F461) x 2</p>
<p><b>G</b> </p> <p>25mm Screw (F50) x 4</p>	<p><b>H</b> </p> <p>Shelf support (F110) x 4</p>	<p><b>I</b> </p> <p>Wall bracket (F198) x 2</p>
<p><b>J</b> </p> <p>Hanging bracket (F849) x 2</p>	<p><b>K</b> </p> <p>Hinge Plate (F117) x 2</p>	<p><b>L</b> </p> <p>Hinge Arm (F118) x 2</p>
<p><b>M</b> </p> <p>Hinge Cover (F119) x 2</p>	<p><b>Na</b> </p> <p>Handle (F214) x 1</p>	
<p><b>Nb</b> </p> <p>25mm Screw (F132) x 2</p>		

Ruler - Use this ruler to help correctly identify the screws



# Assembly Instructions

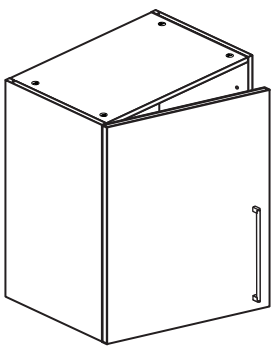
If you have damaged or missing components, call the **Customer Helpline: 08456 400800** quoting the reference numbers below

## Step 1

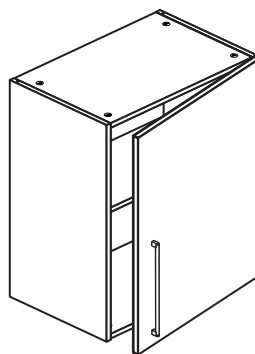
### Choose which way you would like the door to open

You can fit the door to the left side or right side.

If you would like your door to open this way, fit the hinge plates to the left end panel



If you would like your door to open this way, fit the hinge plates to the right end panel



## Step 2

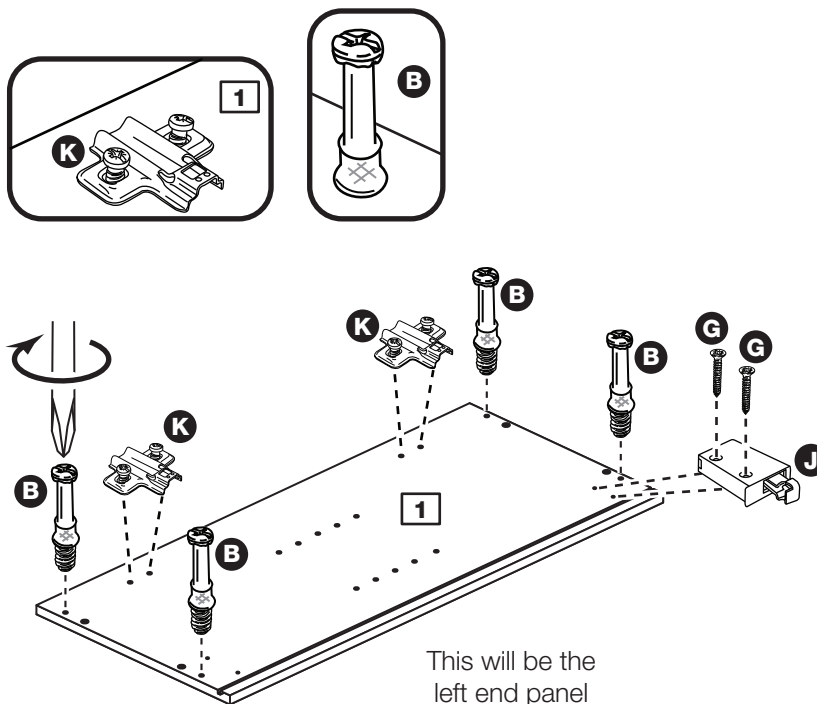
### Prepare the left end panel

Refer to step 1 and, if required, fit 2 hinge plates **K** onto the left end panel **1**, orientated as shown.

Screw 4 metal dowels **B** into the holes shown on the left end panel **1**.

**Note:** Tighten metal dowels up fully against the panels.

Fit a hanging bracket **J** to the left side **1** using 2 screws **G**, making sure that the hook is towards the back edge.



# Assembly Instructions

## Step 3

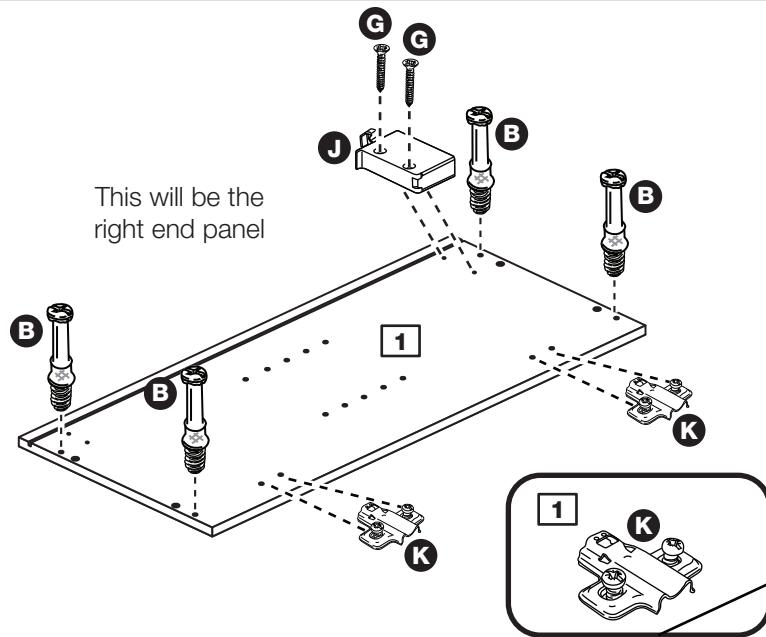
### Prepare the right end panel

Refer to step 1 and, if **required**, fit 2 hinge plates **K** onto the right end panel **1**, orientated as shown.

Screw 4 metal dowels **B** into the holes shown on the right end panel **1**.

**Note:** Tighten metal dowels up fully against the panels.

Fit a hanging bracket **J** to the right side **1** using 2 screws **G**, making sure that the hook is towards the back edge.



## Step 4

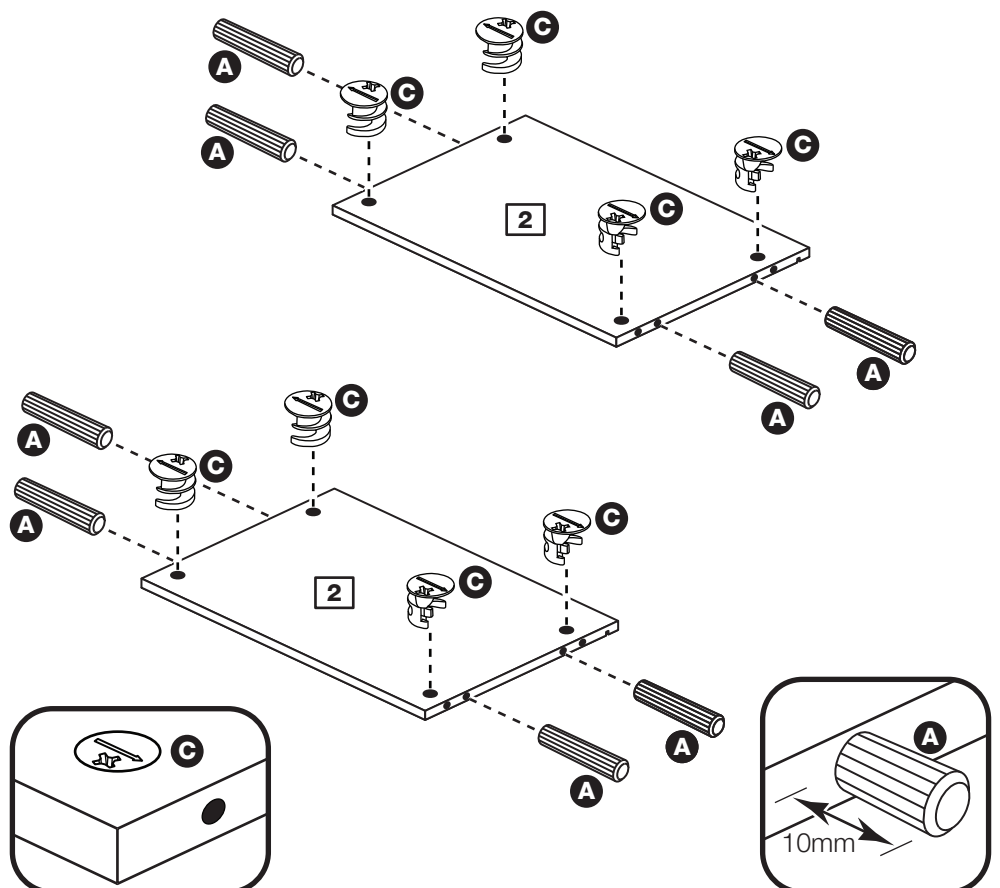
### Prepare the base and top

Insert 4 large locking nuts **C** into the base and top **2** as shown.

**Note:** Arrow on locking nut **must** point towards hole in edge of panel.

Tap 4 wooden dowels **A** into the base and top **2** as shown.

**Note:** Wooden dowels **must not** stick out from the edge by more than 10mm or they may damage other panels.



# Assembly Instructions

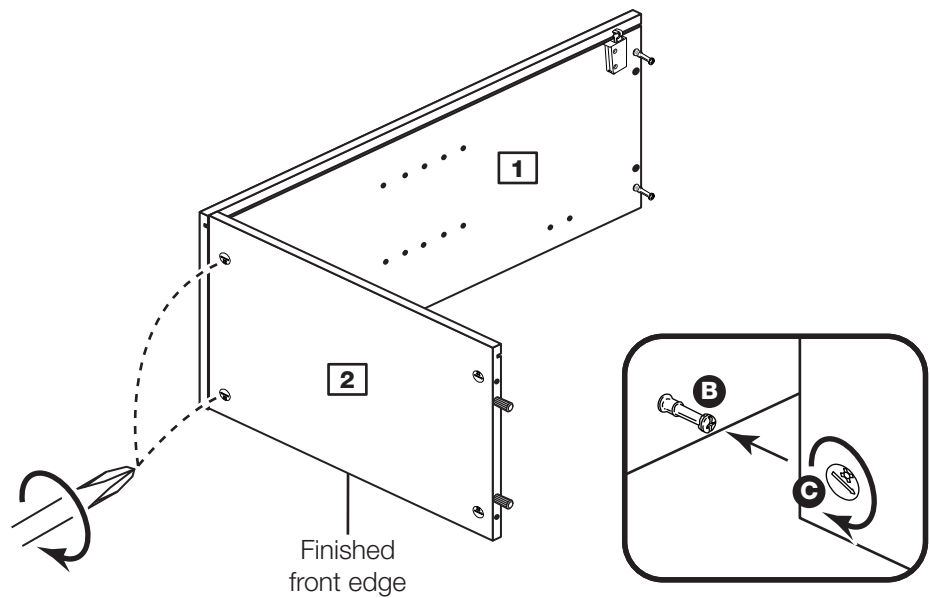
## Step 5

### Join the right side and base

Push the base **2** onto the right end panel **1**.

Use a screwdriver to tighten the 2 large locking nuts **C** fitted to the base **2**.

**Note:** Turn the large locking nuts **C** as far as they will go - more than 1/2 a turn.



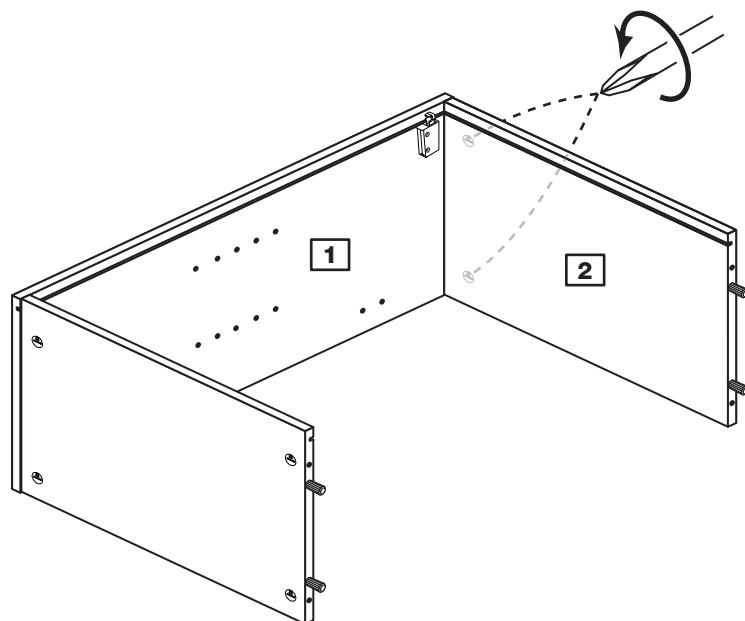
## Step 6

### Fit the top

Push the top **2** onto the right end panel **1**.

Use a screwdriver to tighten the 2 large locking nuts **C** fitted to the top **2**.

**Note:** Turn the large locking nuts **C** as far as they will go - more than 1/2 a turn.



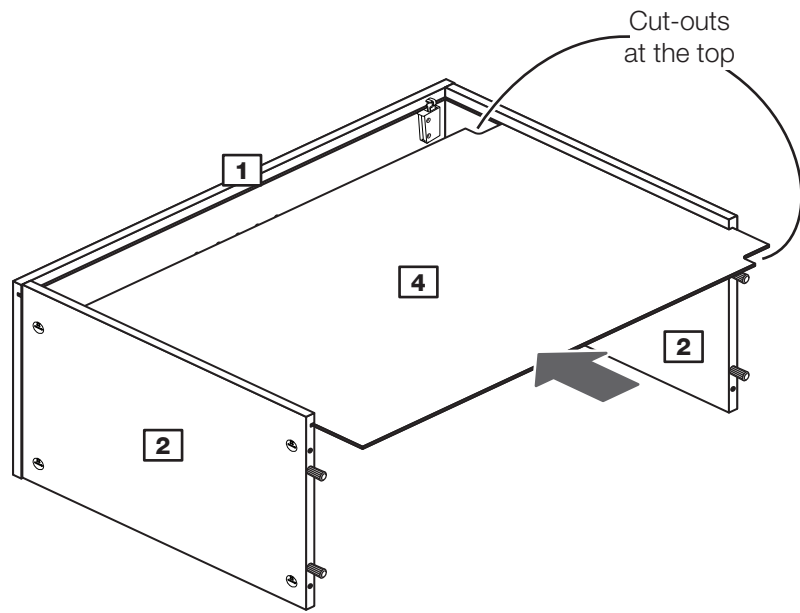
# Assembly Instructions

## Step 7

### Fit the back

Slide the back **4** along the grooves in the top **2** and base **2** and into the groove of the right end panel **1**.

**Important:** Make sure that the cut-outs on the back **4** are at the top of the assembly.



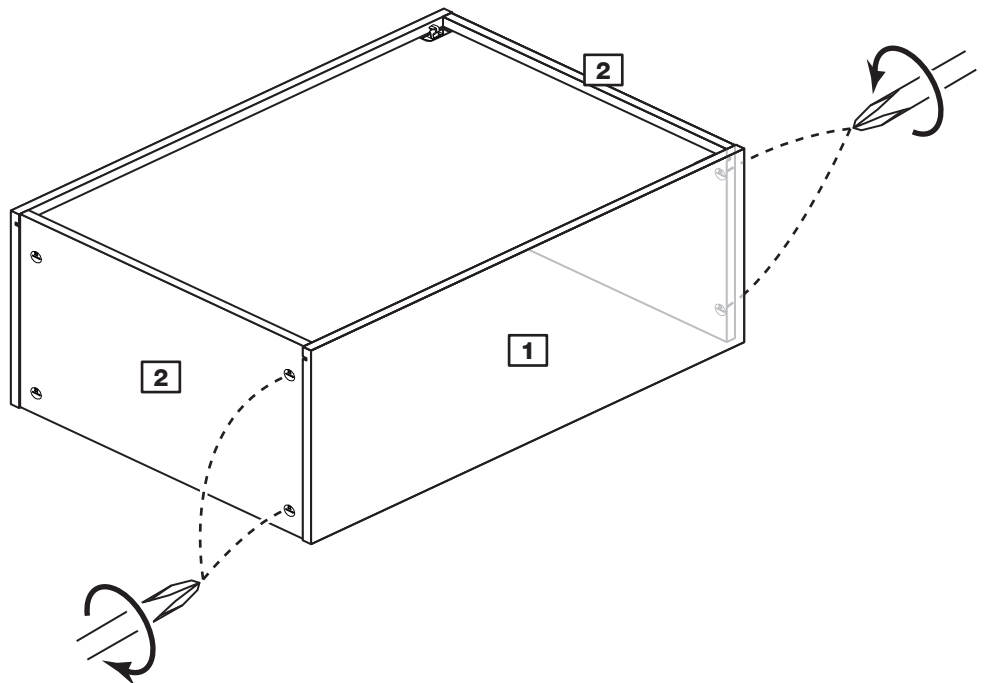
## Step 8

### Fit the left end panel

Push left end panel **1** onto the assembly.

Use a screwdriver to tighten the 4 large locking nuts **C** fitted to the base **2** and top **2**.

**Note:** Turn the large locking nuts **C** as far as they will go - more than 1/2 a turn.





# Assembly Instructions

## Step 9

### Fit the unit to the wall

If you are joining this unit to another one, also refer to step 10.

To fix the unit to the wall, place the unit in the required position and lightly mark the outline of the top corners of the unit with a pencil.

Fit the 2 wall brackets **I** to the dimensions shown in the top diagram. The screws and plugs are not supplied as they need to be the correct type to suit your wall.

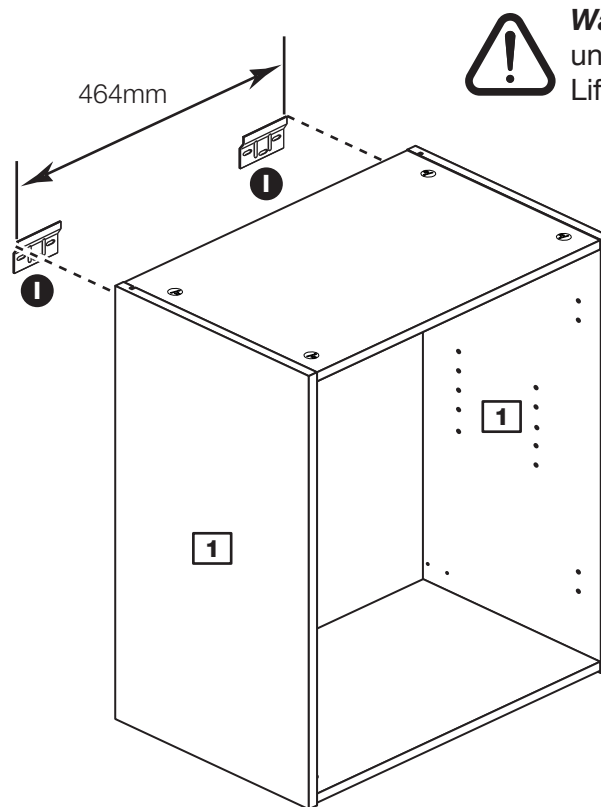
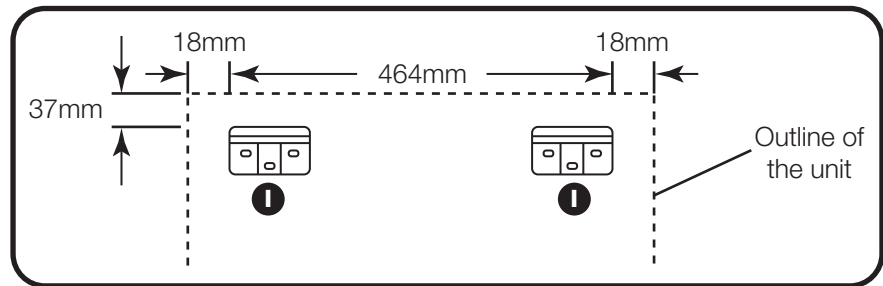


**Warning:** Take care when drilling the wall that you do not drill into any pipes, wires etc. If in doubt, consult an expert.

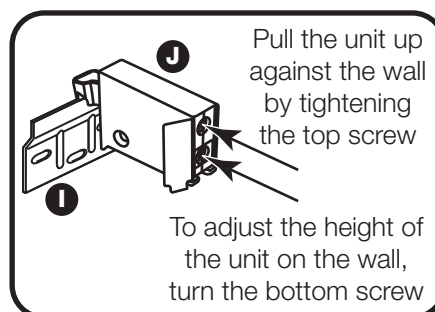
Place your unit onto the wall brackets **I**, via the hanging brackets **J** which you have fitted to the sides **1** of the unit.

Use the screw in the bottom of the wall brackets **J** to adjust the height of the unit.

Finally, pull the unit up against the wall by tightening up the top screw in the hanging brackets **J**.



**Warning:** The unit is heavy. Lift with care.



# Assembly Instructions

## Step 10

### Joining units together

Fittings have been supplied so you are able to join units together.

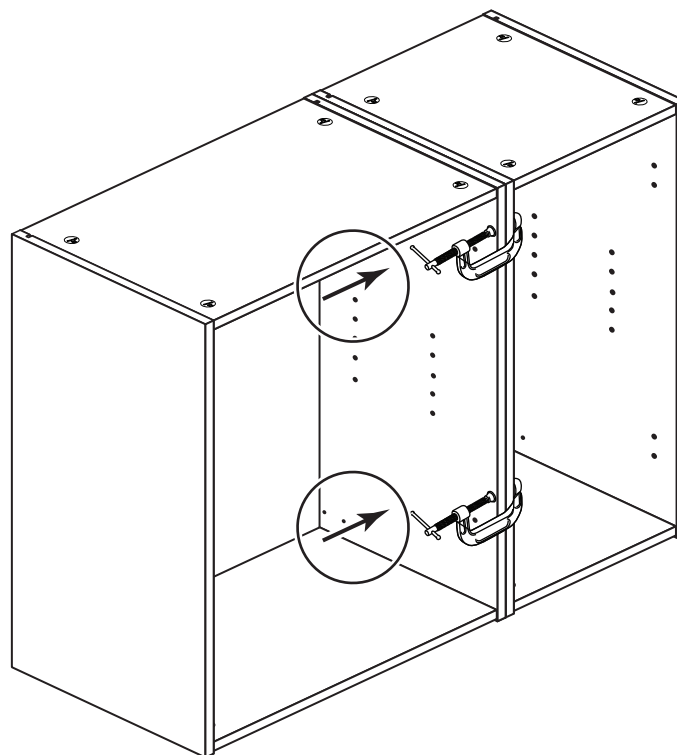
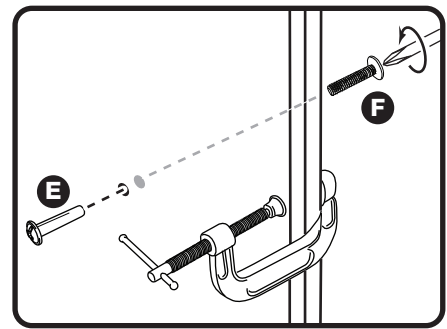
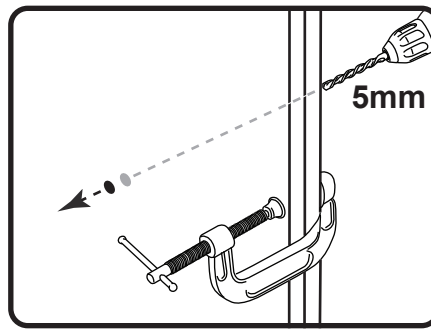
Make sure that your first unit is level.

Push the other unit up against first unit and ensure both units are level.

Check that the ends are flush and in line, then clamp them together.

Using a 5mm drill bit, drill 2 holes (approximate positions shown circled) in the side panel into the adjoining side panel of the other unit.

Push the connecting sleeves **E** into the holes and then screw the connecting bolts **F** in from the other side.



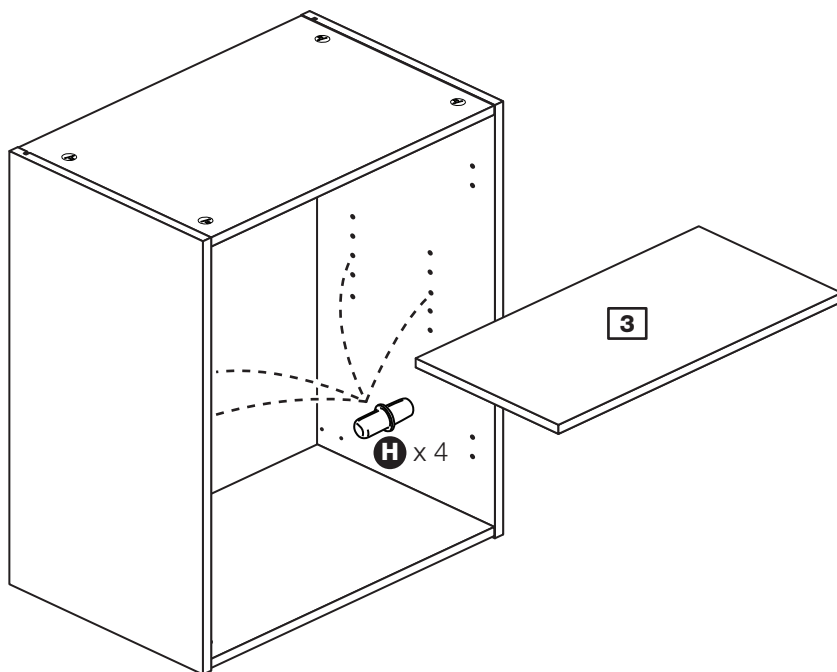
# Assembly Instructions

## Step 11

### Fit the loose shelf

Insert 4 shelf studs **H** at the required height.

Lower the loose shelf **3** down onto the shelf studs **H**.



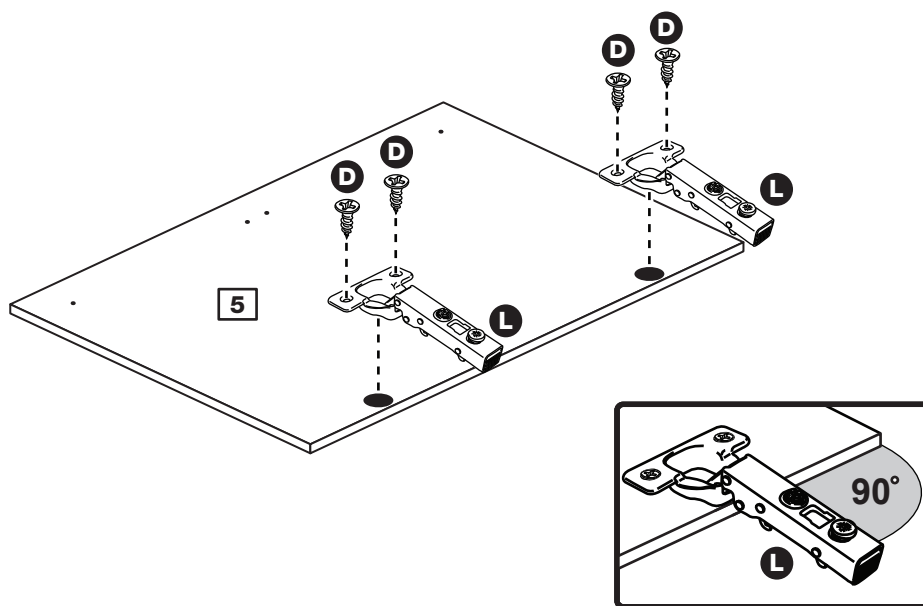
## Step 12

### Prepare the door

Push fit the 2 hinges **L** into the door **5**.

Secure each hinge with 2 screws **D**.

**Note:** Before securing with the screws, make sure that the hinges are positioned at 90 degrees with the front edge of the door.



# Assembly Instructions

## Step 13

### Drill the handle holes in the door

**Important:** Please follow these instructions carefully.

Lay the door **5** down onto a smooth surface.

**Important:** Carefully choose which holes you need to drill. This will depend on which side you fitted the hinge plates **K**.

Check that the holes and hinges are in the same place as the diagrams.

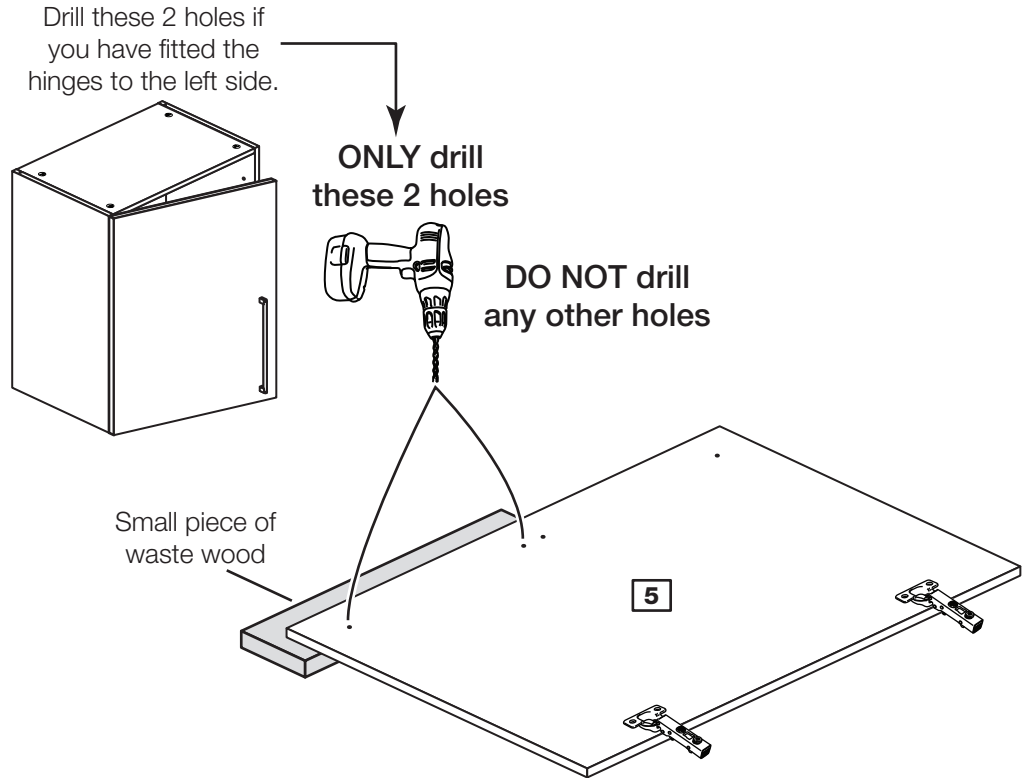
**Note:** We recommend the use of a small piece of waste wood, placed behind the hole while drilling, to reduce the possibility of any breakout.

Using the pilot hole in the rear face of the door, **5** drill through the holes indicated opposite, using a 2.5mm diameter drill.

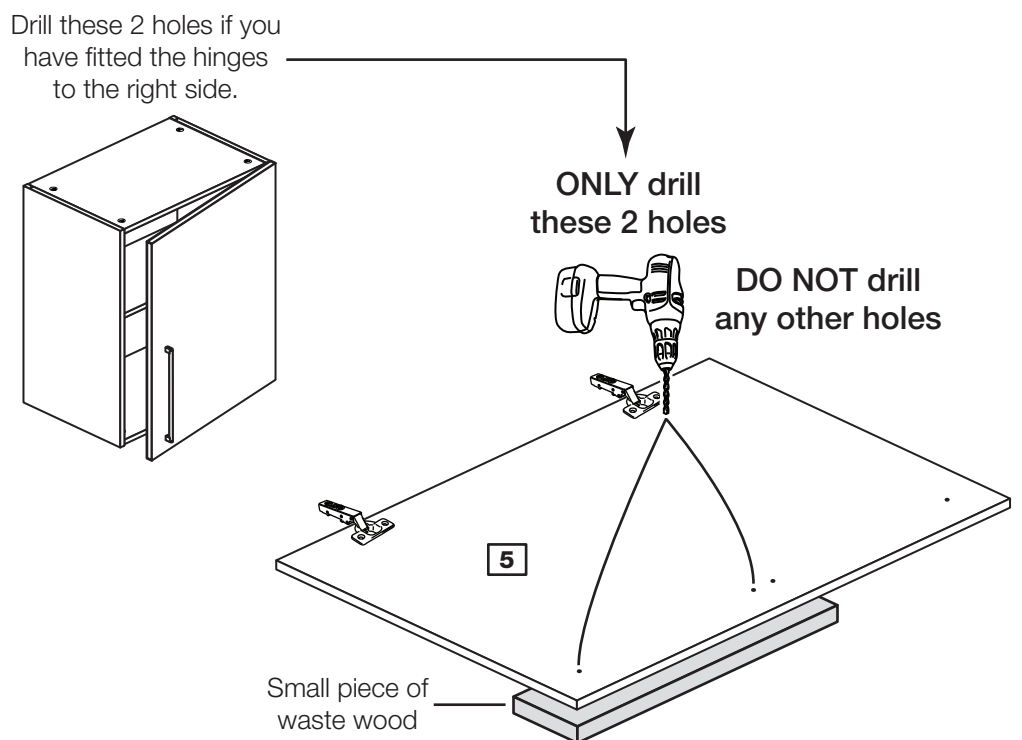
Turn the door **5** over and open out the 2.5mm holes that you have just drilled by drilling back through them with a 5mm drill.

**Note:** Drill bits are not provided.

PLEASE FOLLOW THESE INSTRUCTIONS CAREFULLY TO CHOOSE WHICH 2 HOLES YOU WILL NEED TO DRILL



or



# Assembly Instructions

## Step 14

### Fit door and handle

**2 people are needed here**

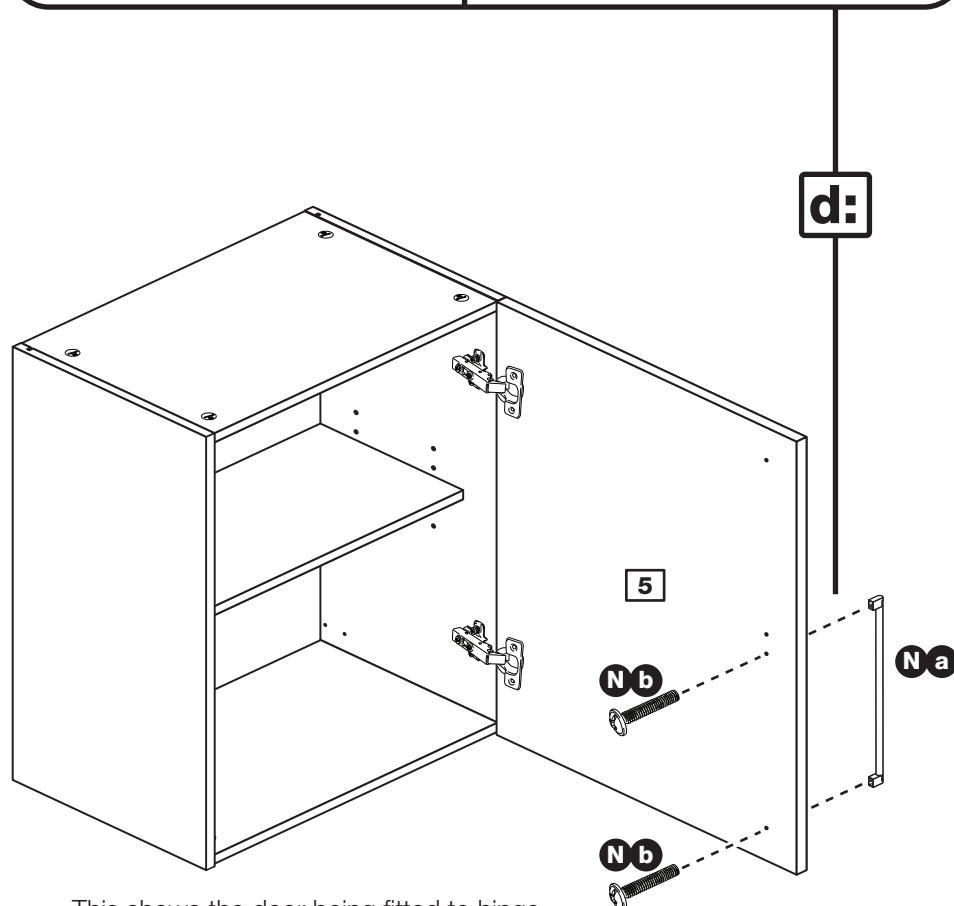
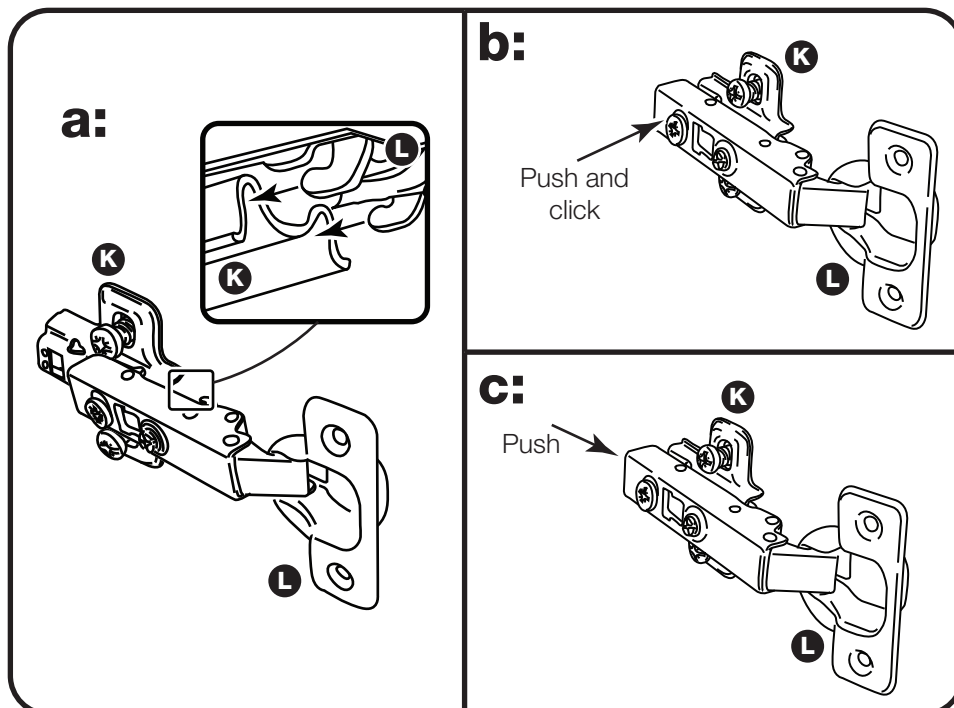
**Note:** The easiest way to attach the door **5** is to fit the top hinge first, then align and fit the other hinge.

**a:** Push the hooks on the hinge arm **L** underneath the front of the hinge plate **K**.

**b:** Press the front of the hinge arm **L** against the hinge plate **K** until it clicks into place.

**c:** If you need to separate the hinge arm **L** from the hinge plate, **K** press the button at the end of the hinge arm and lift it off of the hinge plate.

**d:** Attach the handle **Na** to the door **5** using the 2 screws **Nb** packed with it.



This shows the door being fitted to hinge plates on the right side. You may have fitted them to the left side.

# Assembly Instructions

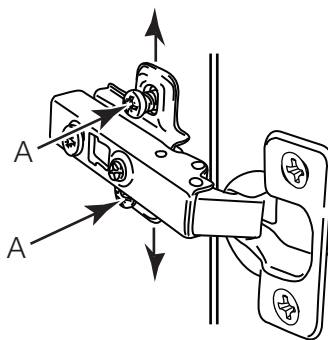
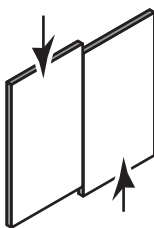
## Step 15

### Adjust the door if needed

#### **a: Height adjustment.**

Loosen screws A on hinge plates and move door up or down as required.  
Retighten screw A.

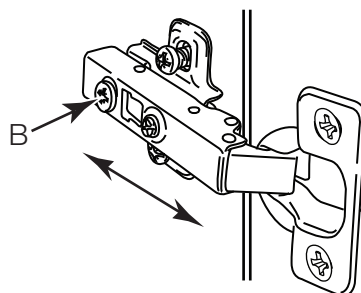
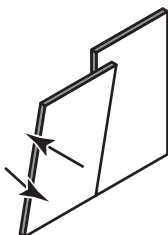
**a:**



#### **b: Forward and Back adjustment.**

Loosen screw B on hinge arm and move door in or out as required.  
Retighten screw B.

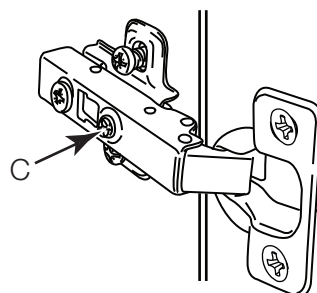
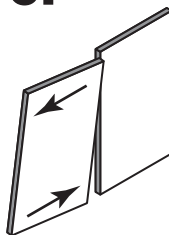
**b:**



#### **c: Sideways adjustment.**

To move door 'out' loosen screw C.  
To move door 'in' tighten screw C

**c:**

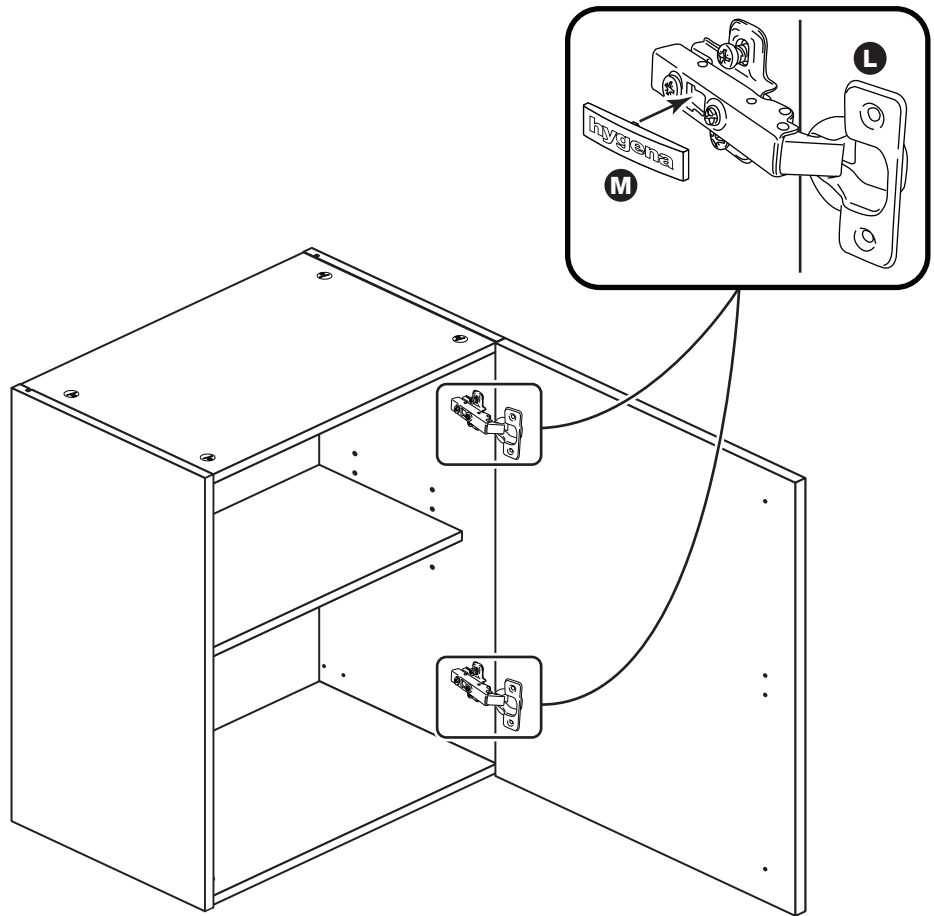


# Assembly Instructions

## Step 16

### Fit the hinge covers

Push the hinge covers **M** onto the hinge arms **L**.



# Assembly Instructions

## Step 17

### Fit other products to the unit

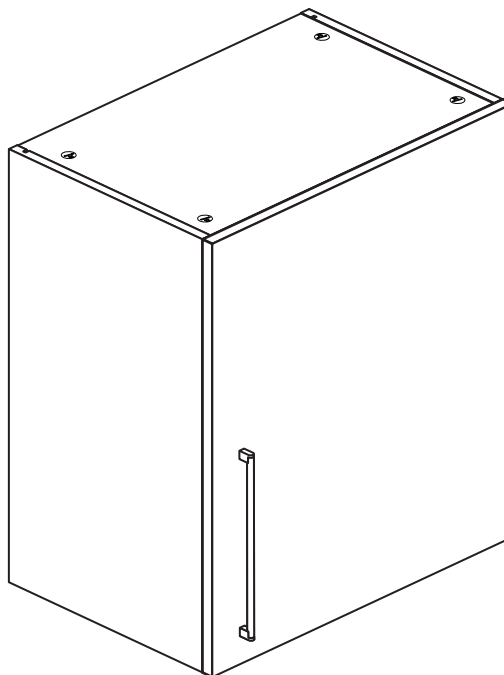
To fit other products to this unit, please follow the instructions packed with them.

We recommend that you consult a qualified joiner or kitchen fitter.

### Assembly is complete



**Warning:** The unit is heavy. Lift with care.



If you need help or have damaged or missing parts, call the **Customer Helpline: 08456 400800** and quote the reference numbers on the component pages.

Argos Ltd, 489-499 Avebury Boulevard, Central Milton Keynes, MK9 2NW

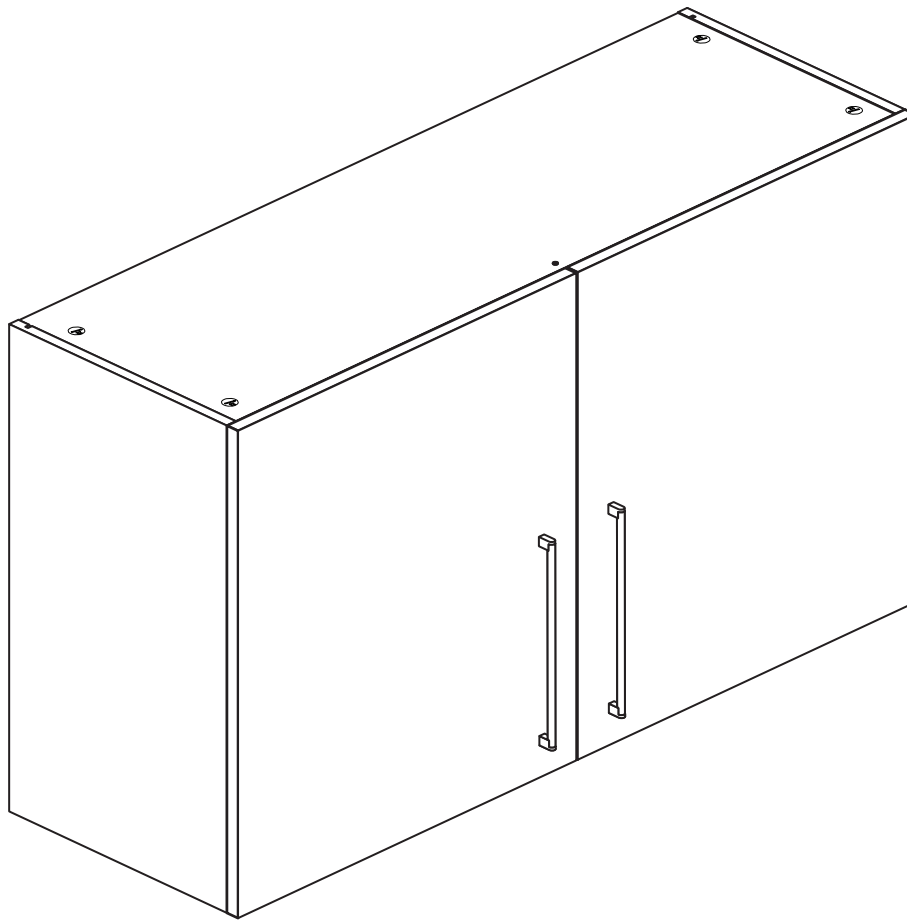


# Valencia - 1000mm Wall Cabinet

Assembly Instructions - Please keep for future reference

**hygena**

Cabinet	656/5745
Black Door Pack	633/2882
Cream Door Pack	633/2710
Grey Door Pack	656/5295
Plum Door Pack	656/4540
White Door Pack	633/2806



## Dimensions

Width - 100cm

Depth - 34cm

Height - 72cm



**MADE IN  
BRITAIN**

**Important** - Please read these instructions fully before starting assembly

If you need help or have damaged or missing parts, call the **Customer Helpline: 08456 400800**



# Safety and Care Advice

**Important - Please read these instructions fully before starting assembly**

- **Warning:** This unit weighs approximately 16.5kgs. Please lift with care.
- Check you have all the components and tools listed on pages 1, 2 and 3.
- Remove all fittings from the plastic bags and separate them into their groups.
- Keep children and animals away from the work area, small parts could choke if swallowed.
- Parts of the assembly will be easier with 2 people.

- Make sure you have enough space to layout the parts before starting.
- Do not stand or put weight on the product, this could cause damage.
- Assemble the item as close to its final position (in the same room) as possible.
- Assemble on a soft level surface to avoid damaging the unit or your floor (use opened out unit carton).



• We do not recommend the use of power drill/drivers **for inserting screws**, as this could damage the unit. Only use hand screwdrivers.

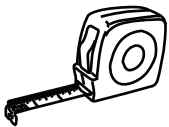
• **Safety note:** It is recommended that this unit is secured to a wall using the brackets supplied.

• Dispose of all packaging carefully and responsibly.

## Care and maintenance

- Only clean using a damp cloth and mild detergent, do not use bleach or abrasive cleaners.
- From time to time check that there are no loose screws on this unit.
- This product should not be discarded with household waste. Take to your local authority waste disposal centre.

## Tools required



Rule



Cross-head screwdriver



Scissors



Hammer



Eye protection (when using a hammer or drill)



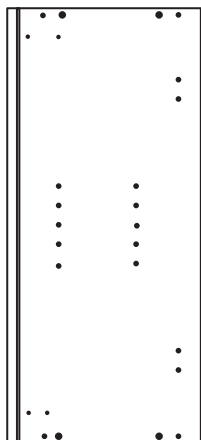
Electric drill

**Note:** If required the next page can be cut out and used as reference throughout the assembly. Keep this page with these instructions for future reference.

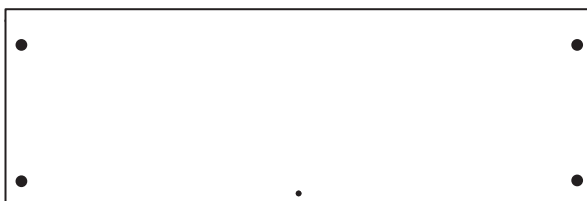
# Components - Panels

If you have damaged or missing components, call the **Customer Helpline: 08456 400800** quoting the reference numbers below

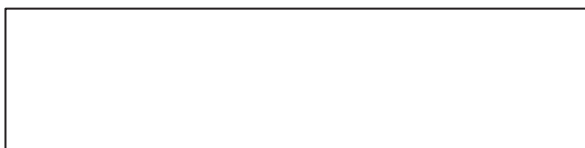
Please check you have all the panels listed below



**1** End Panel (DPF141A)  
(320 x 716mm) x 2



**2** Top/Base Panel (DPF097A)  
(969 x 319mm) x 2



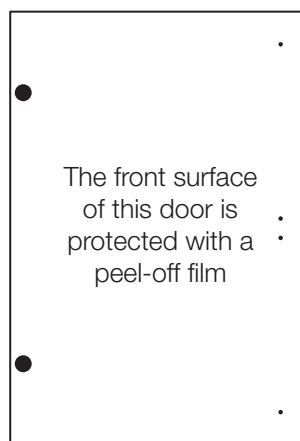
**3** Loose Shelf (DPF098A)  
(968 x 236mm)



**4** Muntin Rail (DPF100A)  
(36 x 688mm)



**5** Back Panel (DPF099A)  
(979 x 694mm)



**6** Valencia Door (DPF147A)  
(497 x 716mm) x 2


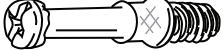


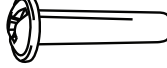


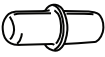

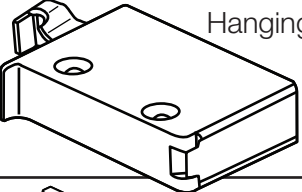
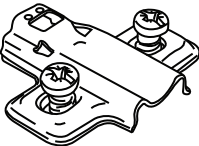
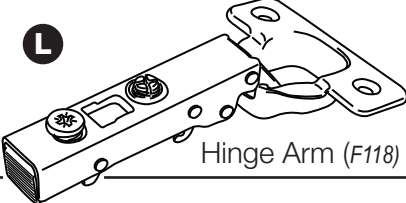


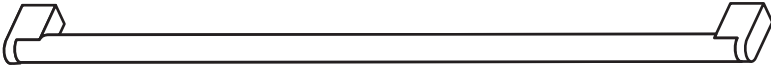



# Components - Fittings

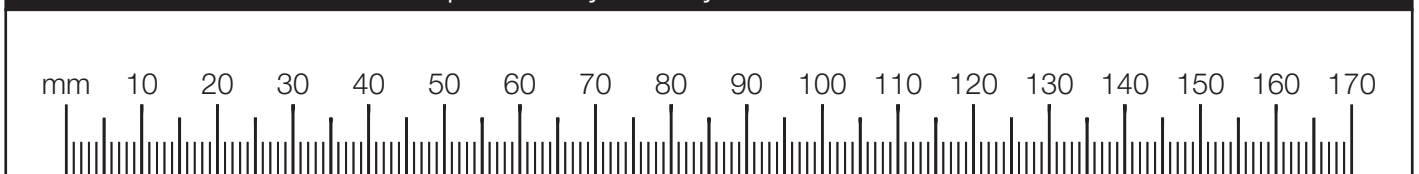
If you have damaged or missing components, call the **Customer Helpline: 08456 400800** quoting the reference numbers below

Please check you have all the fittings listed below

**Note:** The quantities below are the correct amount to complete the assembly. In some cases more fittings may be supplied than are required.

<p><b>A</b> </p> <p>Wooden dowel (F22) x 10</p>	<p><b>B</b> </p> <p>Metal dowel (F901) x 8</p>	<p><b>C</b> </p> <p>Large locking nut (F900) x 8</p>
<p><b>D</b> </p> <p>13mm Screw (F63) x 8</p>	<p><b>E</b> </p> <p>Connecting Sleeve (F432) x 2</p>	<p><b>F</b> </p> <p>19mm Connecting bolt (F461) x 2</p>
<p><b>G</b> </p> <p>25mm Screw (F50) x 4</p>	<p><b>H</b> </p> <p>Shelf support (F110) x 5</p>	<p><b>I</b> </p> <p>Wall bracket (F198) x 2</p>
<p><b>J</b> </p> <p>Hanging bracket (F849) x 2</p>	<p><b>K</b> </p> <p>Hinge Plate (F117) x 4</p>	<p><b>L</b> </p> <p>Hinge Arm (F118) x 4</p>
<p><b>M</b> </p> <p>Hinge Cover (F119) x 4</p>	<p><b>N</b> </p> <p>40mm Screw (F910) x 2</p>	
<p><b>Oa</b> </p> <p>Handle (F214) x 2</p> <p><b>Ob</b> </p> <p>25mm Screw (F132) x 4</p>		

Ruler - Use this ruler to help correctly identify the screws



# Assembly Instructions

If you have damaged or missing components, call the  
**Customer Helpline: 08456 400800** quoting the reference  
numbers below

## Step 1

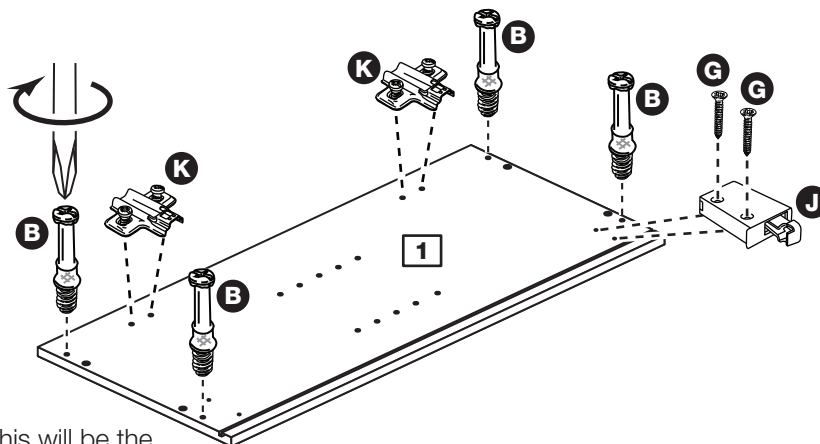
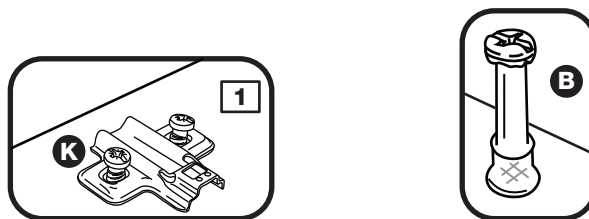
### Prepare the left end panel

Fit 2 hinge plates **K** onto the left end panel **1**, orientated as shown.

Screw 4 metal dowels **B** into the holes shown on the left end panel **1**.

**Note:** Tighten metal dowels up fully against the panels.

Fit a hanging bracket **J** to the left side **1** using 2 screws **G**, making sure that the hook is towards the back edge.



This will be the left end panel

## Step 2

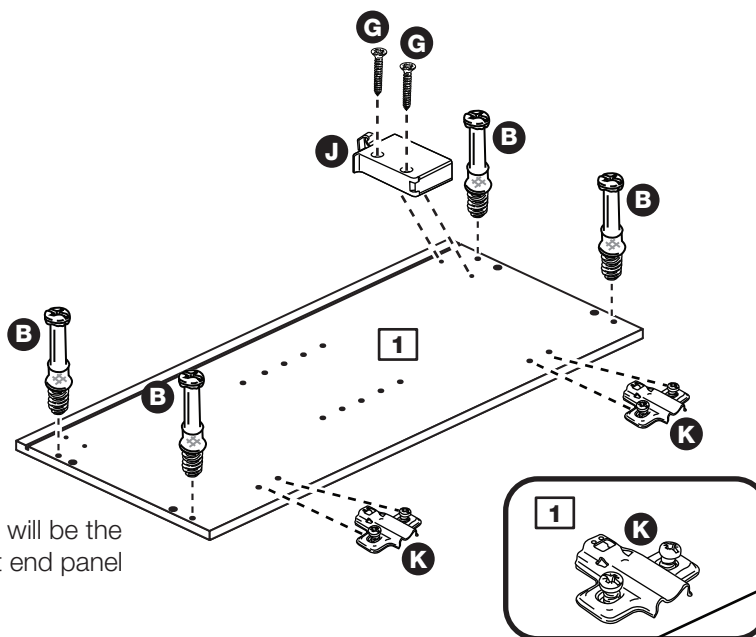
### Prepare the right end panel

Fit 2 hinge plates **K** onto the right end panel **1**, orientated as shown.

Screw 4 metal dowels **B** into the holes shown on the right end panel **1**.

**Note:** Tighten metal dowels up fully against the panels.

Fit a hanging bracket **J** to the right side **1** using 2 screws **G**, making sure that the hook is towards the back edge.



This will be the right end panel

# Assembly Instructions

## Step 3

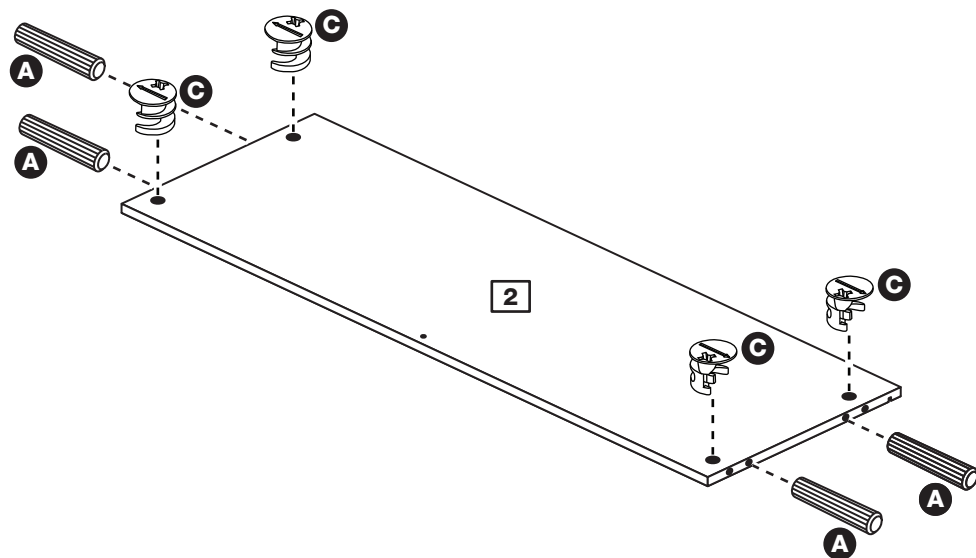
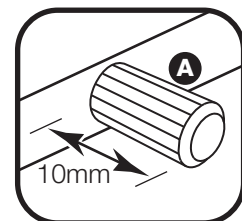
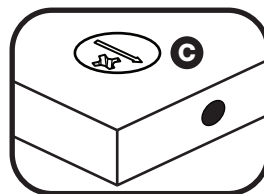
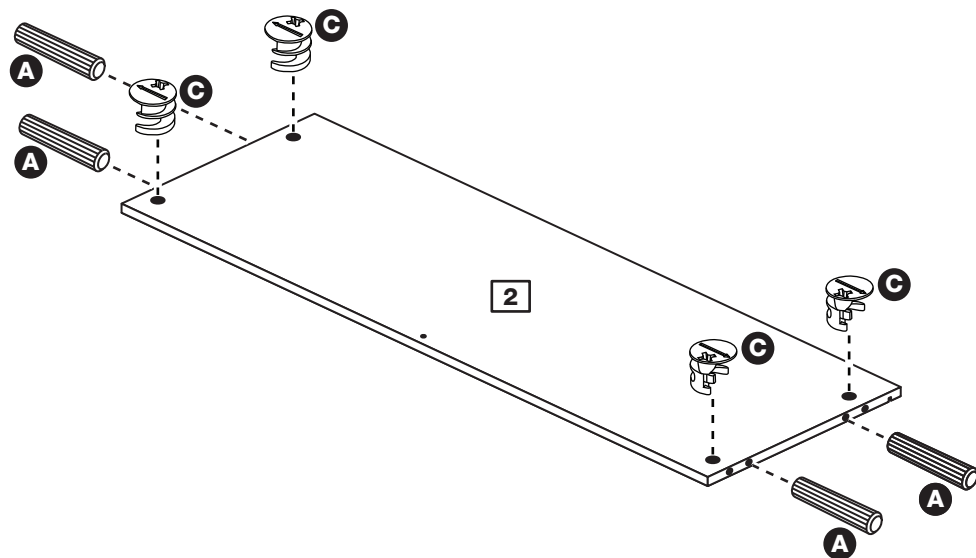
### Prepare the base and top

Insert 4 large locking nuts **C** into the base and top **2** as shown.

**Note:** Arrow on locking nut **must** point towards hole in edge of panel.

Tap 4 wooden dowels **A** into the base and top **2** as shown.

**Note:** Wooden dowels **must not** stick out from the edge by more than 10mm or they may damage other panels.



# Assembly Instructions

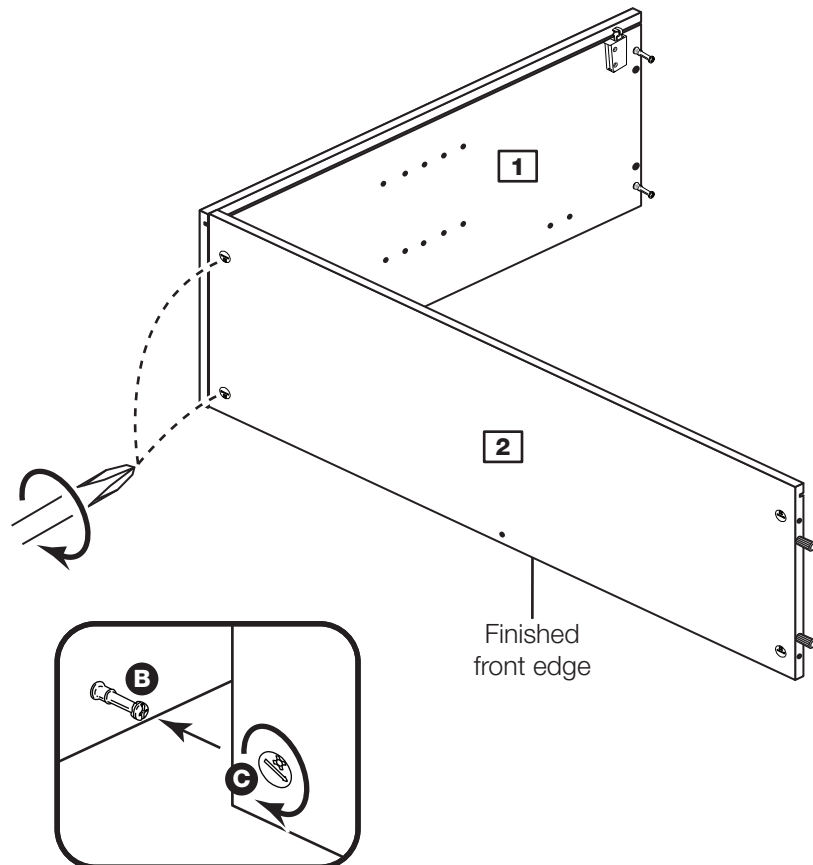
## Step 4

### Join the right side and base

Push the base **2** onto the right end panel **1**.

Use a screwdriver to tighten the 2 large locking nuts **C** fitted to the base **2**.

**Note:** Turn the large locking nuts **C** as far as they will go - more than 1/2 a turn.



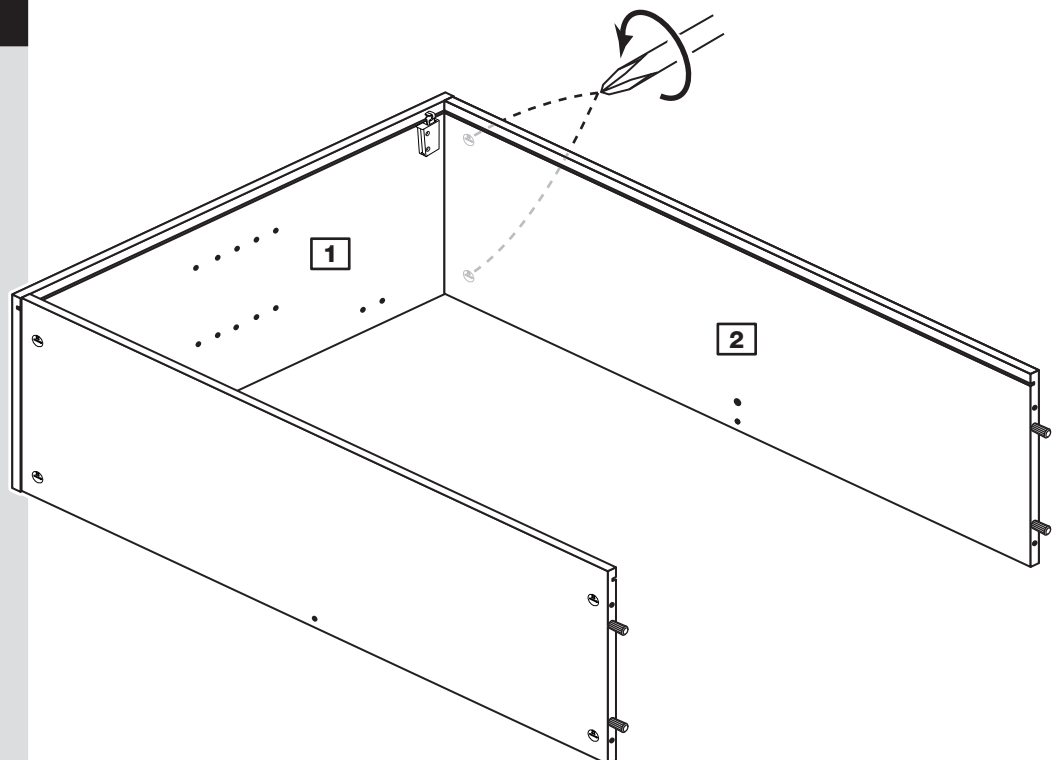
## Step 5

### Fit the top

Push the top **2** onto the right end panel **1**.

Use a screwdriver to tighten the 2 large locking nuts **C** fitted to the top **2**.

**Note:** Turn the large locking nuts **C** as far as they will go - more than 1/2 a turn.

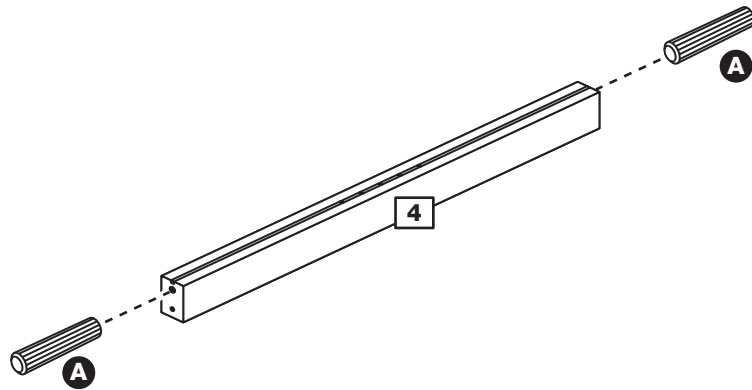


# Assembly Instructions

## Step 6

### Prepare the muntin rail

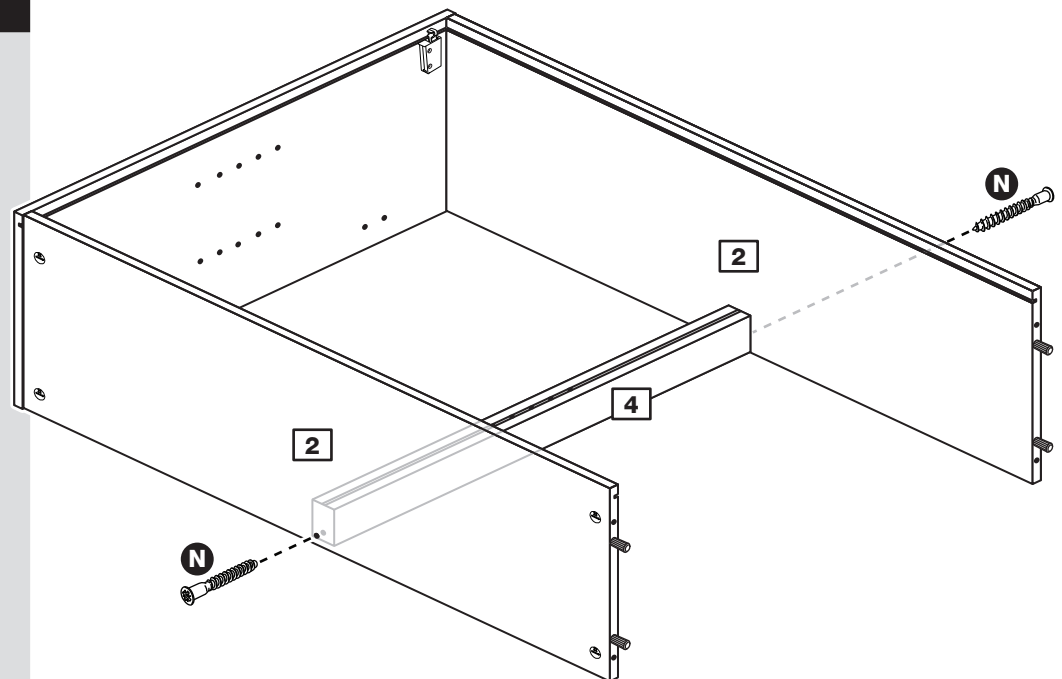
Tap 2 wooden dowels **A** into the muntin rail **4** as shown.



## Step 7

### Fit the muntin rail

Attach the muntin rail **4** to the top **2** and base **2** and secure with 2 screws **N**.





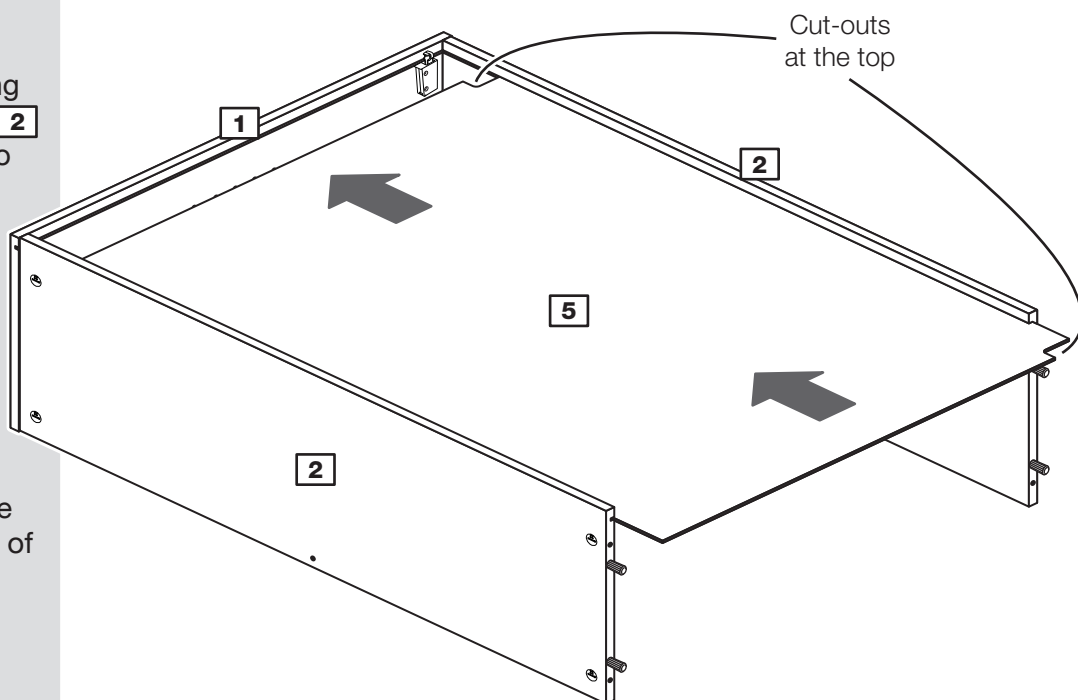
# Assembly Instructions

## Step 8

### Fit the back

Slide the back **5** along the grooves in the top **2** and bottom **2** and into the groove of the right end panel **1**.

**Important:** Make sure that the cut-outs on the back **5** are at the top of the assembly.

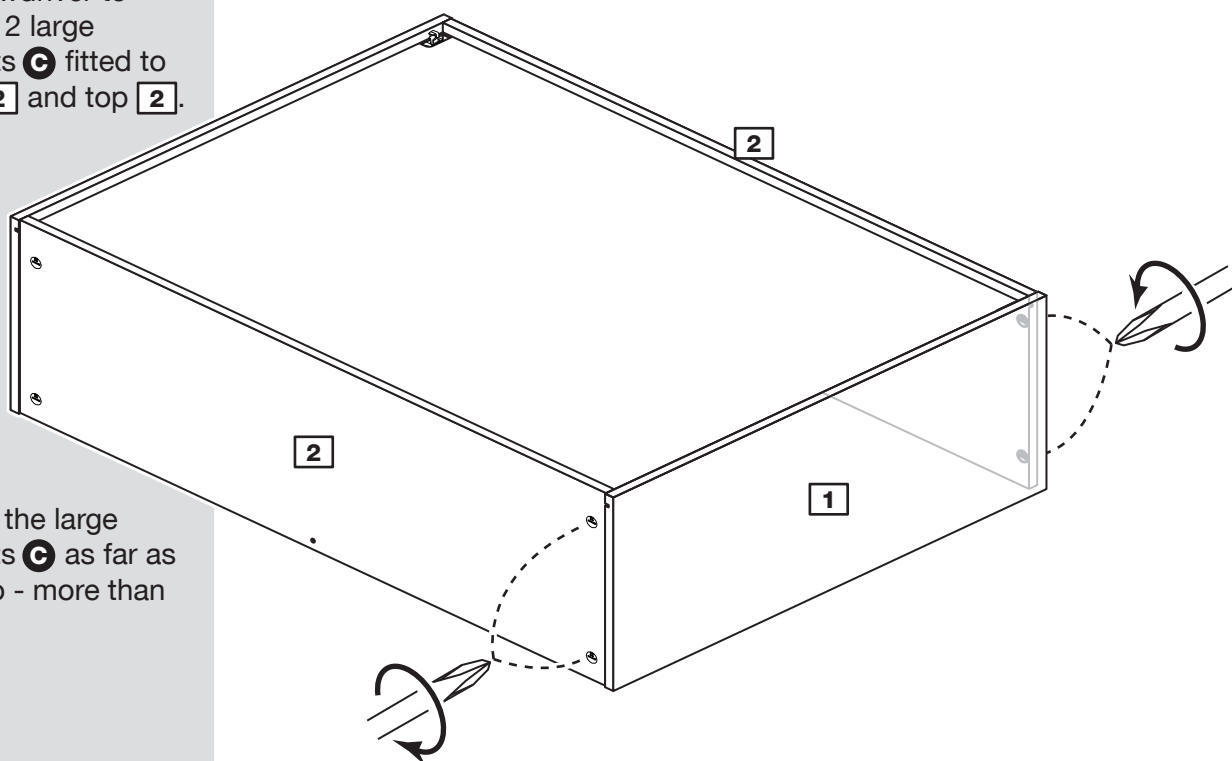


## Step 9

### Fit the left end panel

Push left end panel **1** onto the assembly.

Use a screwdriver to tighten the 2 large locking nuts **C** fitted to the base **2** and top **2**.



**Note:** Turn the large locking nuts **C** as far as they will go - more than 1/2 a turn.

# Assembly Instructions

## Step 10

### Fit the unit to the wall

If you are joining this unit to another one, also refer to step 11.

To fix the unit to the wall, place the unit in the required position and lightly mark the outline of the top corners of the unit with a pencil.

Fit the 2 wall brackets **I** to the dimensions shown in the top diagram. The screws and plugs are not supplied as they need to be the correct type to suit your wall.

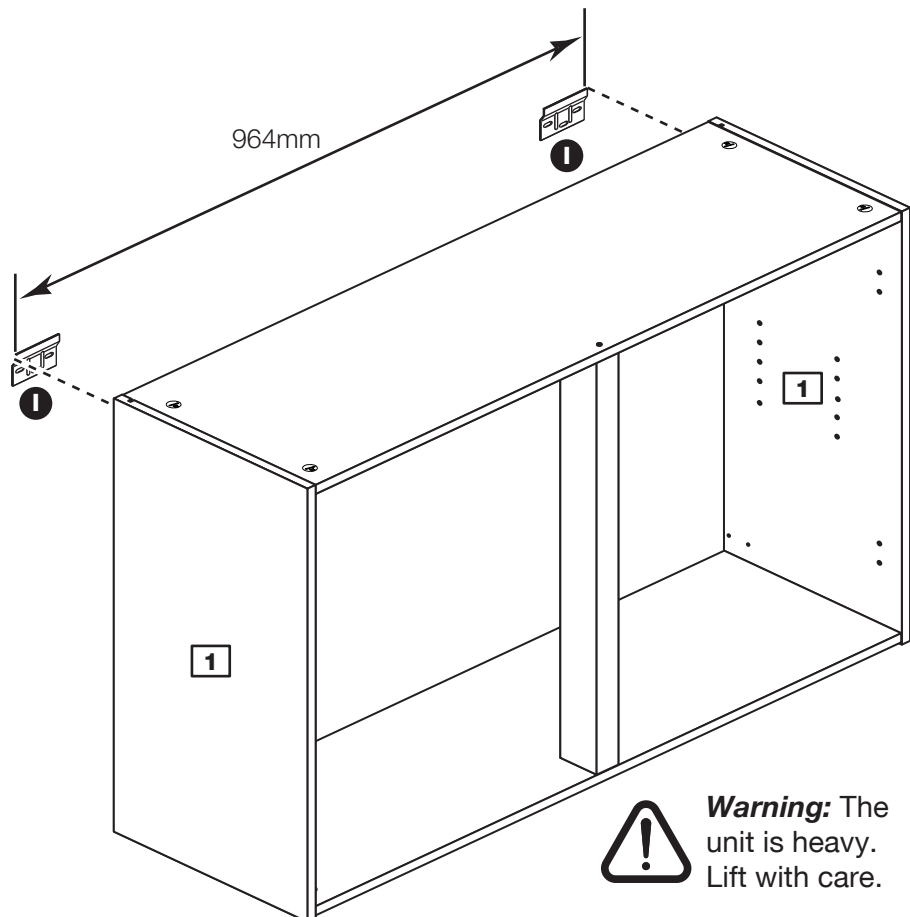
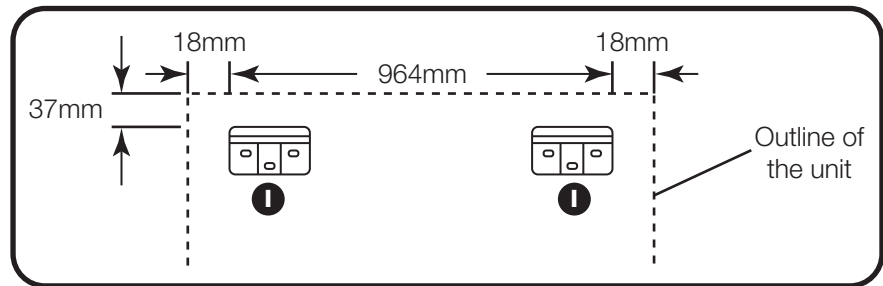


**Warning:** Take care when drilling the wall that you do not drill into any pipes, wires etc. If in doubt, consult an expert.

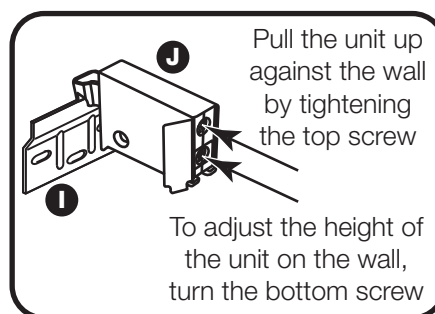
Place your unit onto the wall brackets **I**, via the hanging brackets **J** which you have fitted to the sides **1** of the unit.

Use the screw in the bottom of the wall brackets **J** to adjust the height of the unit.

Finally, pull the unit up against the wall by tightening up the top screw in the hanging brackets **J**.



**Warning:** The unit is heavy. Lift with care.



# Assembly Instructions

## Step 11

### Joining units together

Fittings have been supplied so you are able to join units together.

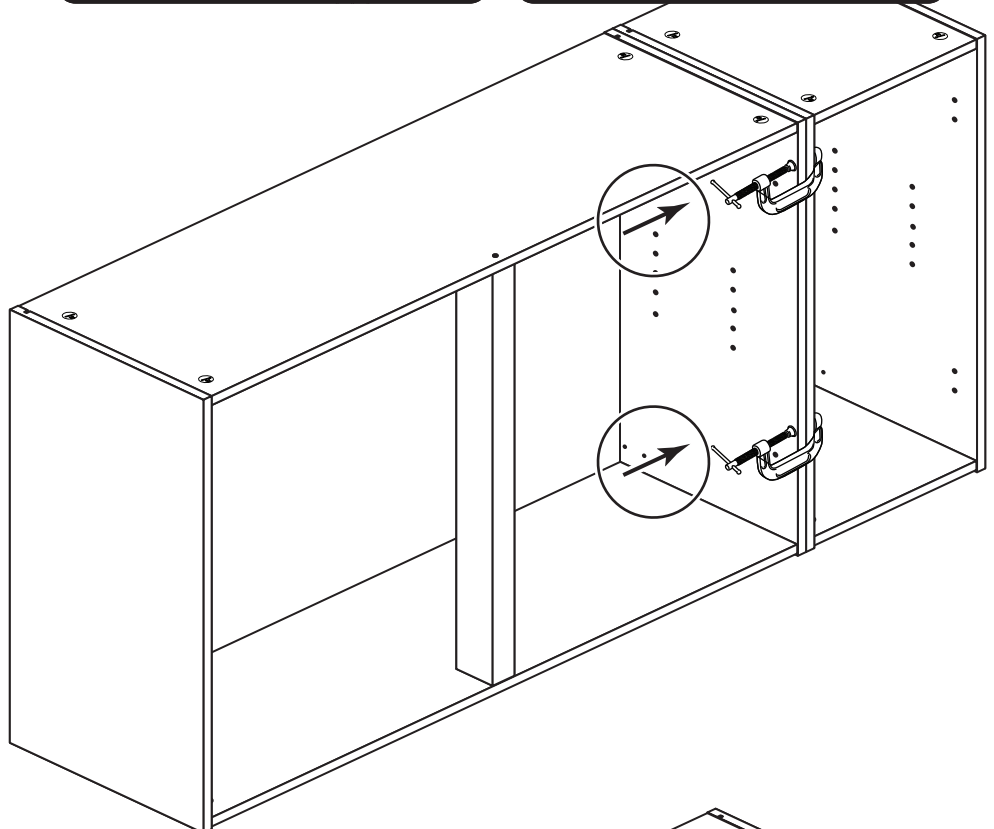
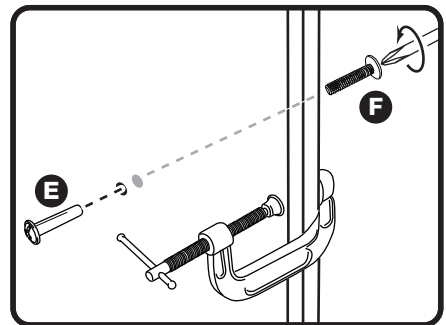
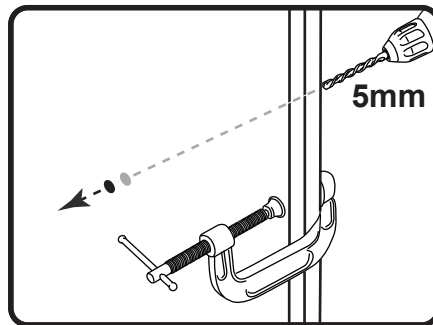
Make sure that your first unit is level.

Push the other unit up against first unit and ensure both units are level.

Check that the ends are flush and in line, then clamp them together.

Using a 5mm drill bit, drill 2 holes (approximate positions shown circled) in the side panel into the adjoining side panel of the other unit.

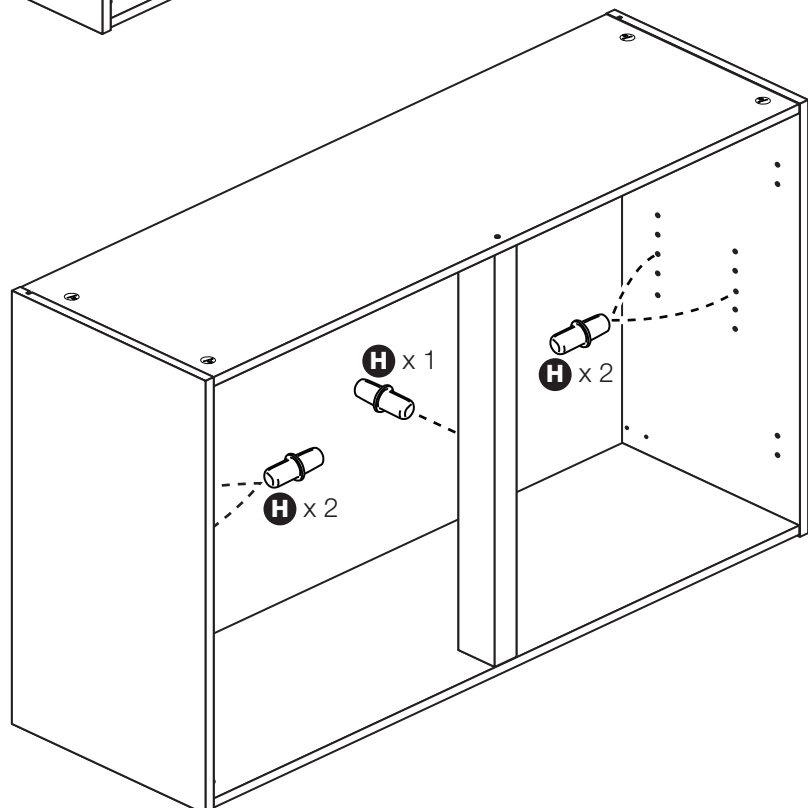
Push the connecting sleeves **E** into the holes and then screw the connecting bolts **F** in from the other side.



## Step 12

### Fit the shelf studs

Insert 5 shelf studs **H** at the required height.

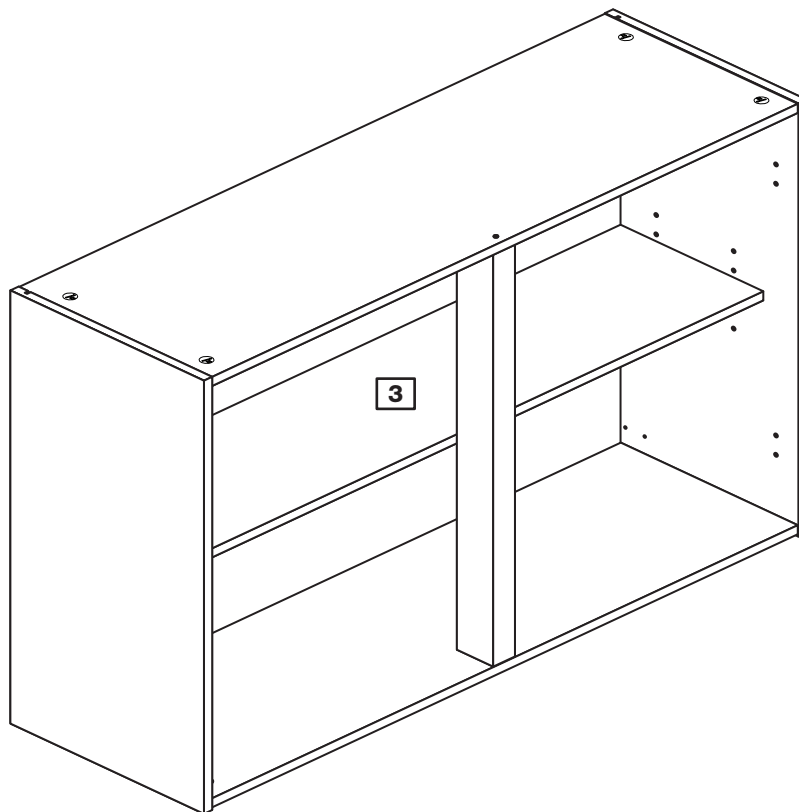


# Assembly Instructions

## Step 13

### Fit the loose shelf

Insert the loose shelf **3** at an angle then lower it down onto the shelf studs **H**.



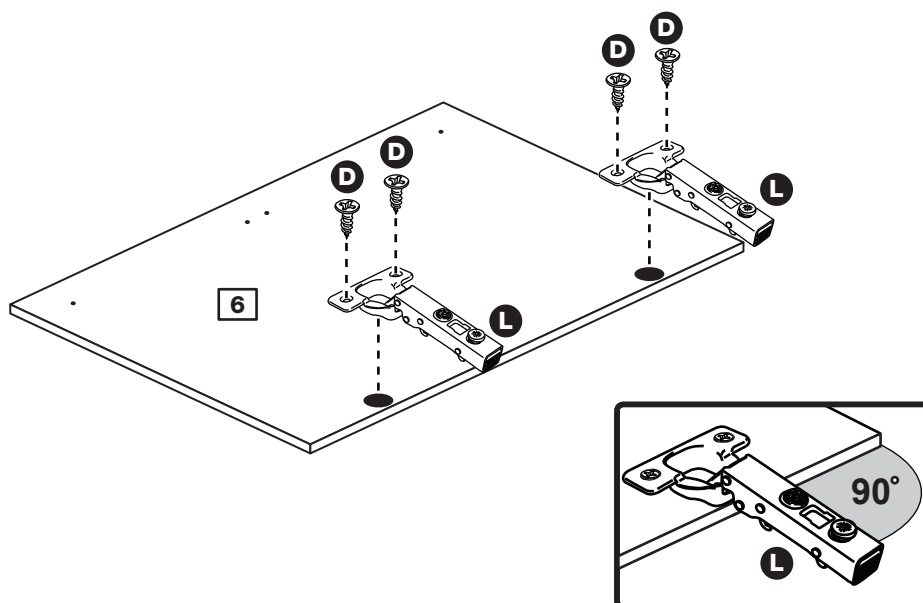
## Step 14

### Prepare the doors

Push fit 2 hinges **L** into each door **6**.

Secure each hinge with 2 screws **D**.

**Note:** Before securing with the screws, make sure that the hinges are positioned at 90 degrees with the front edge of the door.



# Assembly Instructions

## Step 15

### Drill the handle holes in the doors

**Important:** Please follow these instructions carefully.

Lay the doors **6** down onto a smooth surface.

**Important:** Carefully choose which holes you need to drill.

Check that the holes and hinges are in the same place as the diagrams.

**Note:** We recommend the use of a small piece of waste wood, placed behind the hole while drilling, to reduce the possibility of any breakout.

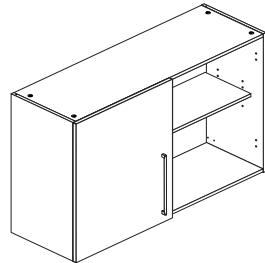
Using the pilot hole in the rear face of the door, **6** drill through the holes indicated opposite, using a 2.5mm diameter drill.

Turn the door **6** over and open out the 2.5mm holes that you have just drilled by drilling back through them with a 5mm drill.

**Note:** Drill bits are not provided.

PLEASE FOLLOW THESE INSTRUCTIONS CAREFULLY TO CHOOSE WHICH 2 HOLES YOU WILL NEED TO DRILL

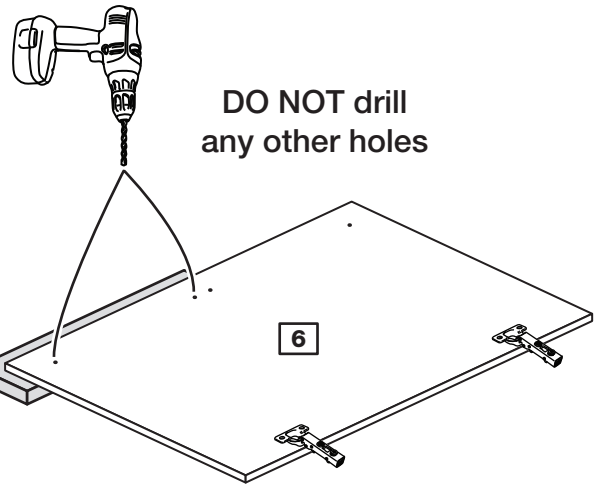
This will be the left door



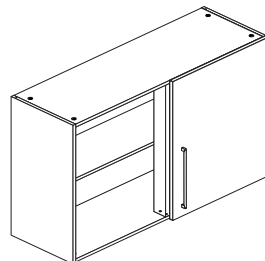
ONLY drill these 2 holes

DO NOT drill any other holes

Small piece of waste wood



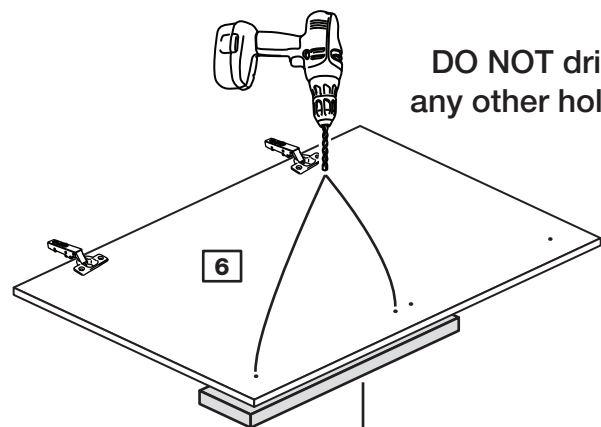
This will be the right door



ONLY drill these 2 holes

DO NOT drill any other holes

Small piece of waste wood



# Assembly Instructions

## Step 16

### Fit door and handle

**2 people are needed here**

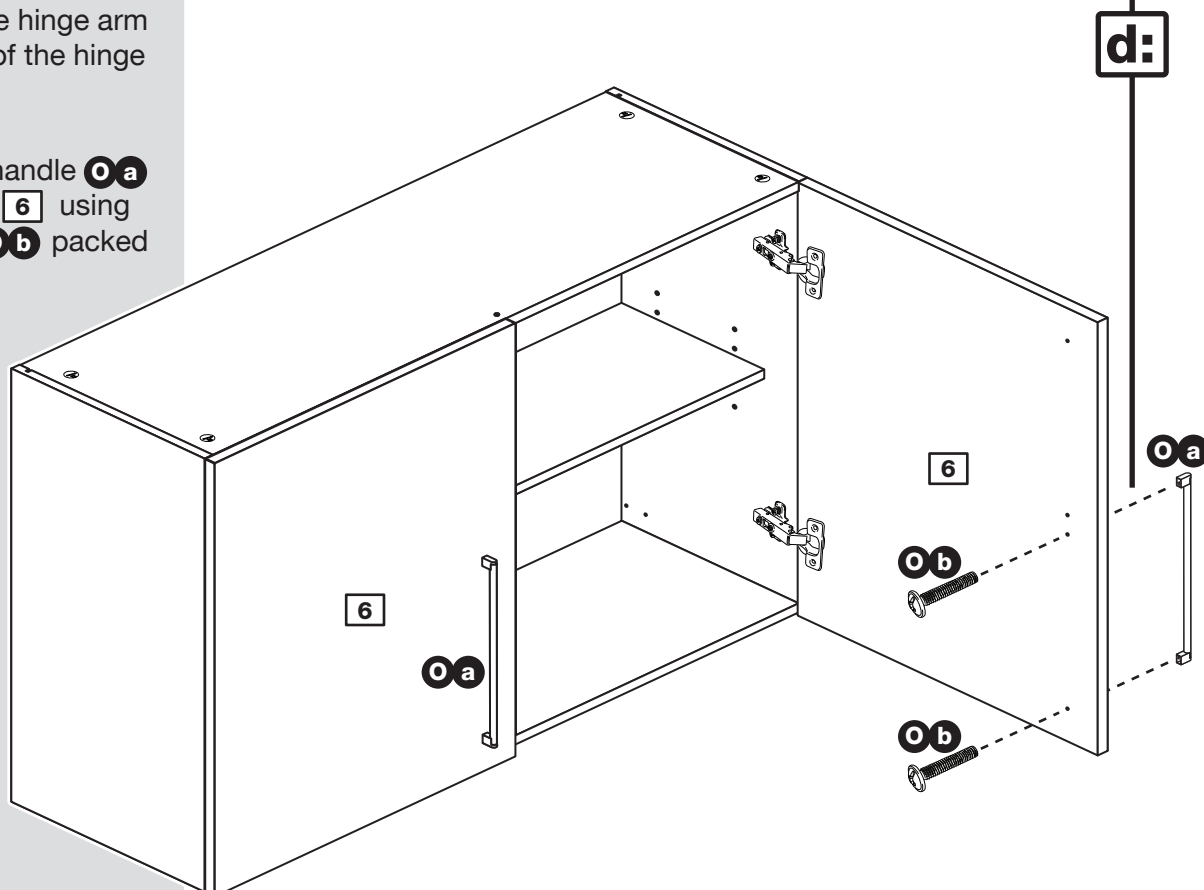
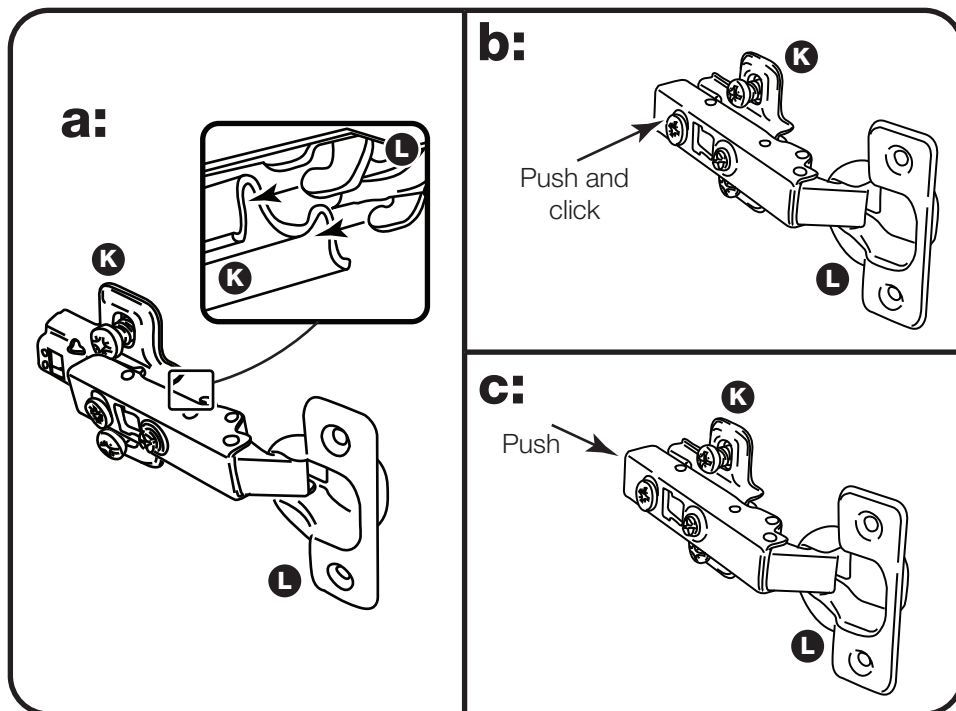
**Note:** The easiest way to attach the doors **6** is to fit the top hinge first, then align and fit the other hinge.

**a:** Push the hooks on the hinge arm **L** underneath the front of the hinge plate **K**.

**b:** Press the front of the hinge arm **L** against the hinge plate **K** until it clicks into place.

**c:** If you need to separate the hinge arm **L** from the hinge plate, **K** press the button at the end of the hinge arm and lift it off of the hinge plate.

**d:** Attach a handle **Oa** to each door **6** using the screws **O b** packed with them.



# Assembly Instructions

## Step 17

### Adjust the doors if needed

#### **a: Height adjustment.**

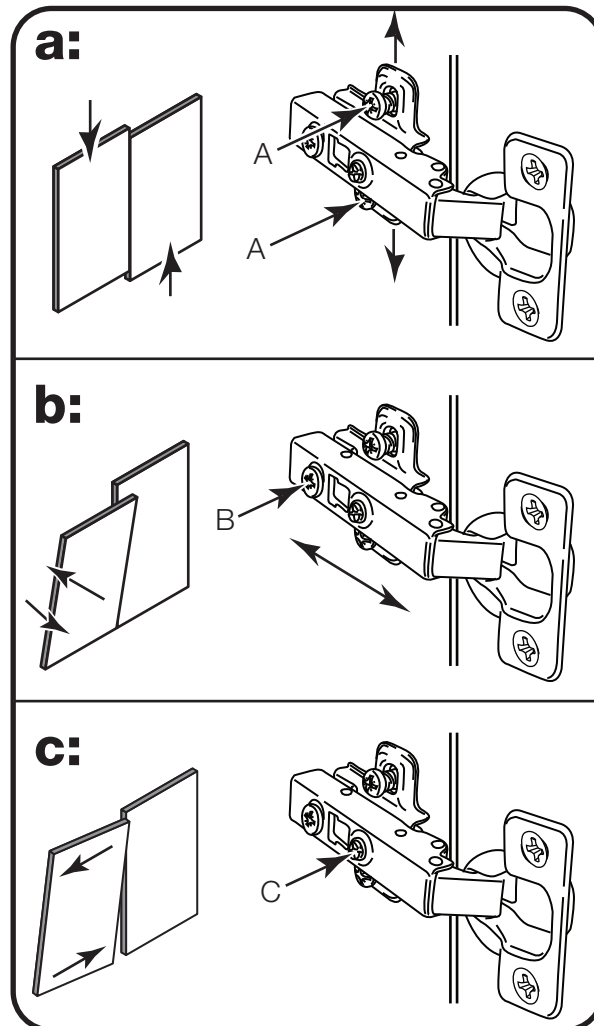
Loosen screws A on hinge plates and move door up or down as required.  
Retighten screw A.

#### **b: Forward and Back adjustment.**

Loosen screw B on hinge arm and move door in or out as required.  
Retighten screw B.

#### **c: Sideways adjustment.**

To move door 'out' loosen screw C.  
To move door 'in' tighten screw C

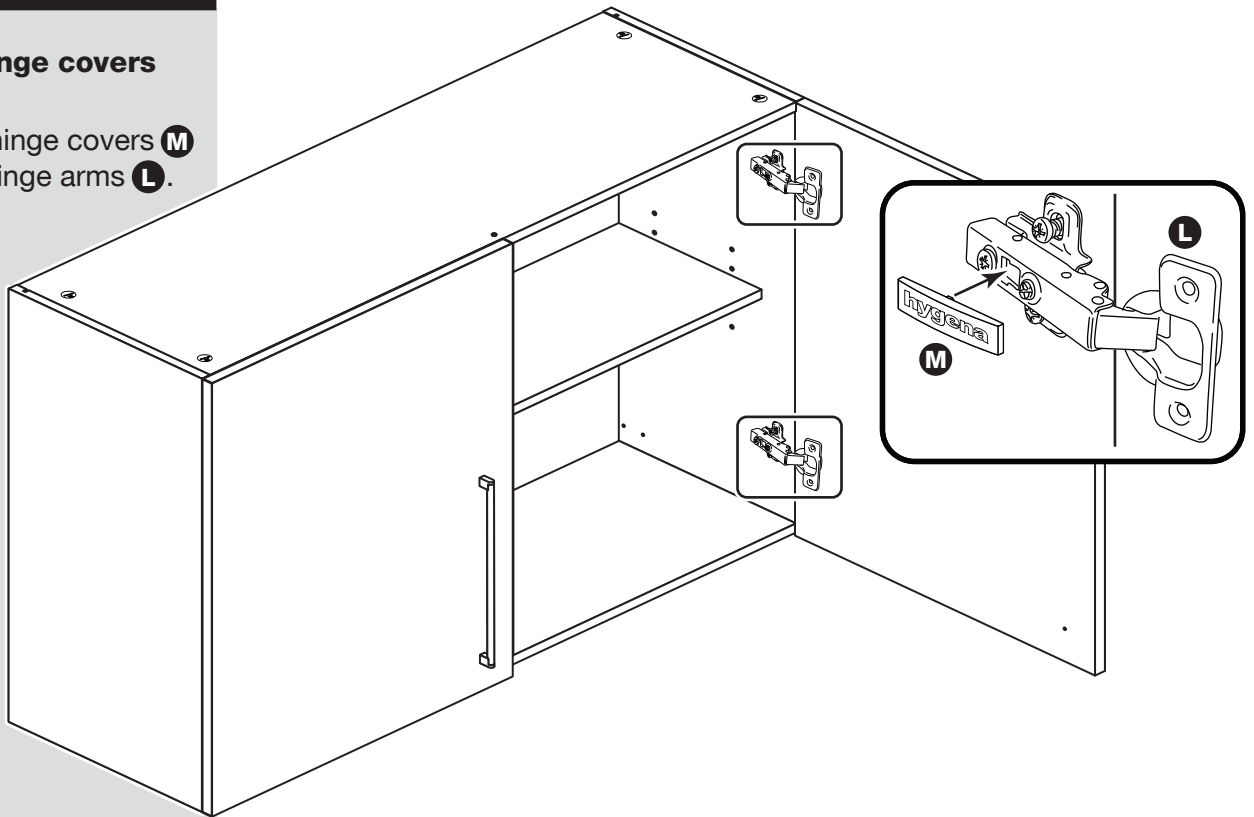


# Assembly Instructions

## Step 18

### Fit the hinge covers

Push the hinge covers **M** onto the hinge arms **L**.



## Step 19

### Fit other products to the unit

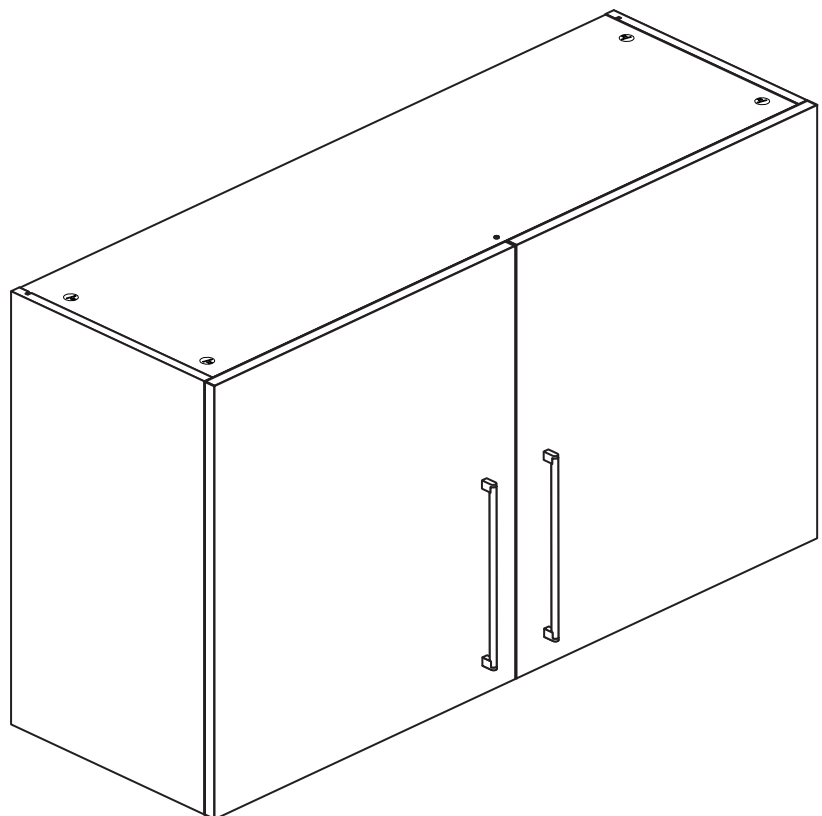
To fit other products to this unit, please follow the instructions packed with them.

We recommend that you consult a qualified joiner or kitchen fitter.

### Assembly is complete



**Warning:** The unit is heavy. Lift with care.



If you need help or have damaged or missing parts, call the Customer Helpline: 08456 400800 and quote the reference numbers on the component pages.

Argos Ltd, 489-499 Avebury Boulevard, Central Milton Keynes, MK9 2NW