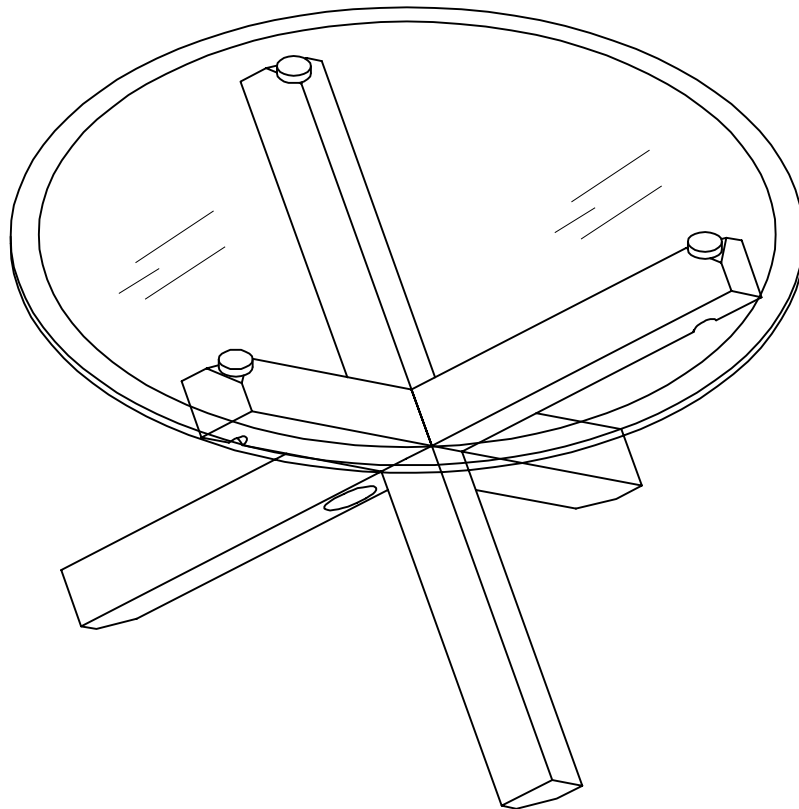


Oakington X Leg Glass Coffee Table

Assembly Instructions - Please keep for future reference

239/2077



Dimensions

Width - 70 cm
Depth - 70 cm
Height - 45 cm

Important - Please read these instructions fully before starting assembly

If you need help or have damaged or missing parts, call the **Customer Helpline: 0345 640 0800**



Safety and Care Advice

Important - Please read these instructions fully before starting assembly

- Check you have all the components and tools listed on pages 2 and 3.
- Do not stand on the product, this could cause damage.
- Assemble on a soft level surface to avoid damaging the unit or your floor.
- Remove all fittings from the plastic bags and separate them into their group.
- Assemble the item as close to its final position (in the same room) as possible.
- Parts of the assembly will be easier with 2 people.
- Keep children and animals away from the work area, small parts could choke if swallowed.
- Make sure you have enough space to layout the parts before starting.
- Dispose of all packaging carefully and responsibly.

Solid Wood

- This product has been finished using natural materials. As a living material, you may notice some variation in the grain and colour shade between the different components.
- Unlike a synthetic or man-made material which has a uniform finish, a feature of natural wood is its variation in grain and colour. We wish to reassure you that this is quite normal and is not the result of any manufacturing fault.
- Where sheets of wood are joined together, a line may be detected. Again, this is normal and is not an imperfection.

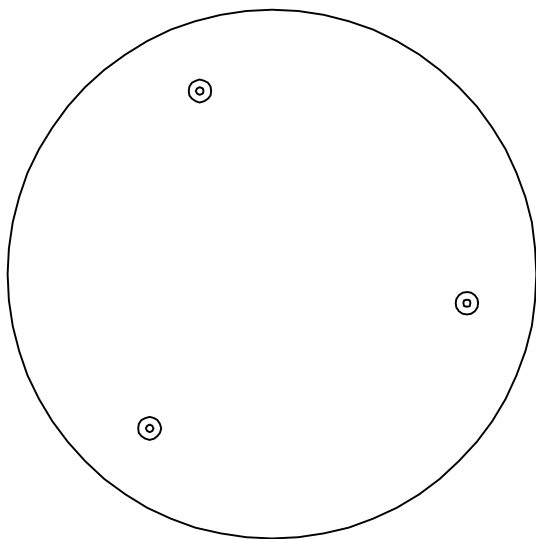
Care and maintenance

- Only clean using a damp cloth and mild detergent, do not use bleach or abrasive cleaners.
- From time to time check that there are no loose screws on this unit.
- This product should not be discarded with household waste. Take to your local authority waste disposal centre.

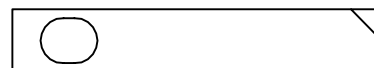
Components - Parts

If you have damaged or missing components,
call the customer helpline: 0345 640 0800

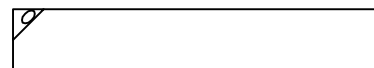
Please check you have all the parts listed below



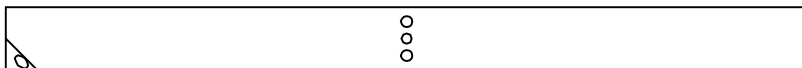
1 Glass table top (Ø70 cm x 1 cm)



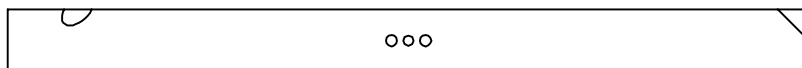
4 Short leg (lower)
(32.6 x 5.5 cm)



5 Short leg (upper)
(32.6 x 5.5 cm)



2 Long leg (70.7 x 5.5 cm)







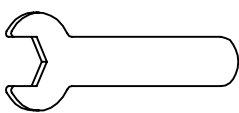

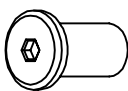



3 Long leg (70.7 x 5.5 cm)

Components - Fittings

Please check you have all the fittings listed below

Note: The quantities below are the correct amount to complete the assembly. In some cases more fittings may be supplied than are required.

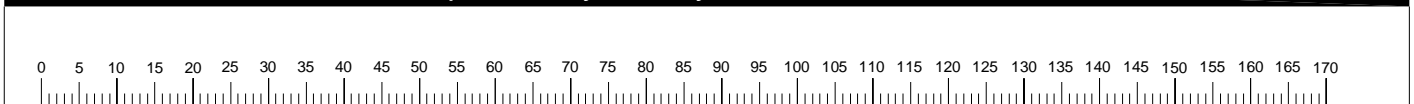
<p>A</p>  <p>Ø10x30 Wooden Dowel x 4</p>	<p>B</p>  <p>M8x110mm Long Threaded Rod x 1</p>	<p>C</p>  <p>M8 Hex Nut x 1</p>
<p>D</p>  <p>Spring Washer x 1</p>	<p>E</p>  <p>Washer x 1</p>	<p>F</p>  <p>Curved Washer x 1</p>
<p>G</p>  <p>Spanner x 1</p>	<p>H</p>  <p>M8x40mm Short Threaded Rod x 3</p>	<p>J</p>  <p>M8x18 mm Female nut x 3</p>
<p>K</p>  <p>Allen key M4 x 1</p>		

Tools required



Ruler/tape
measure

Ruler - Use this ruler to help correctly identify the bolts



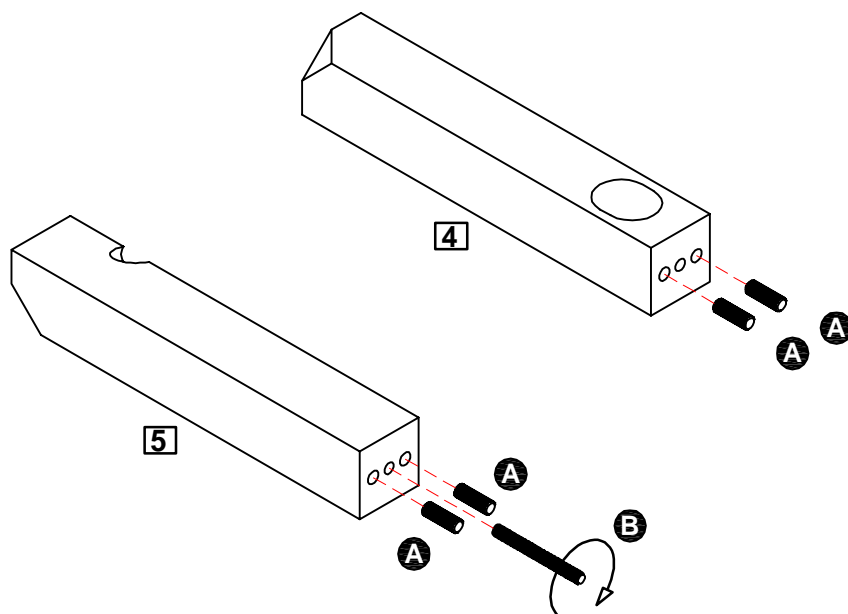
Assembly Instructions

Step 1

Preparing short legs.

Insert wood dowels **A** into the ends of short legs **4** and **5**.

Screw long threaded rod **B** into the central hole of upper short leg **5**.

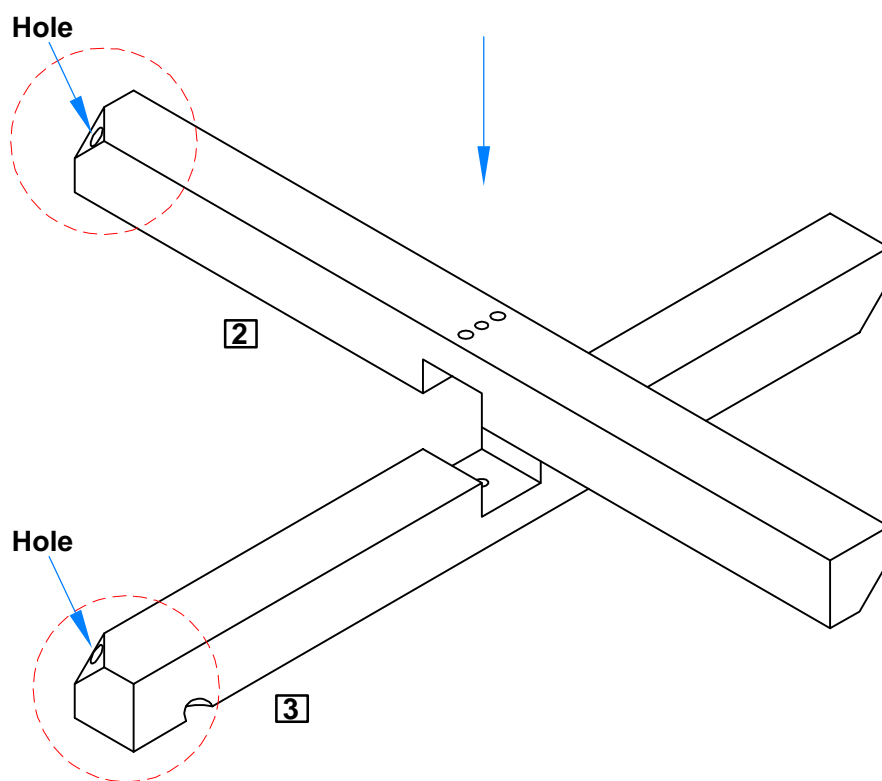


Step 2

Locating long legs

Locate long legs **2** and **3** together as shown.

Note: Ensure the holes in one end of legs **2** and **3** are located on the same side as shown.



Assembly Instructions

Step 3

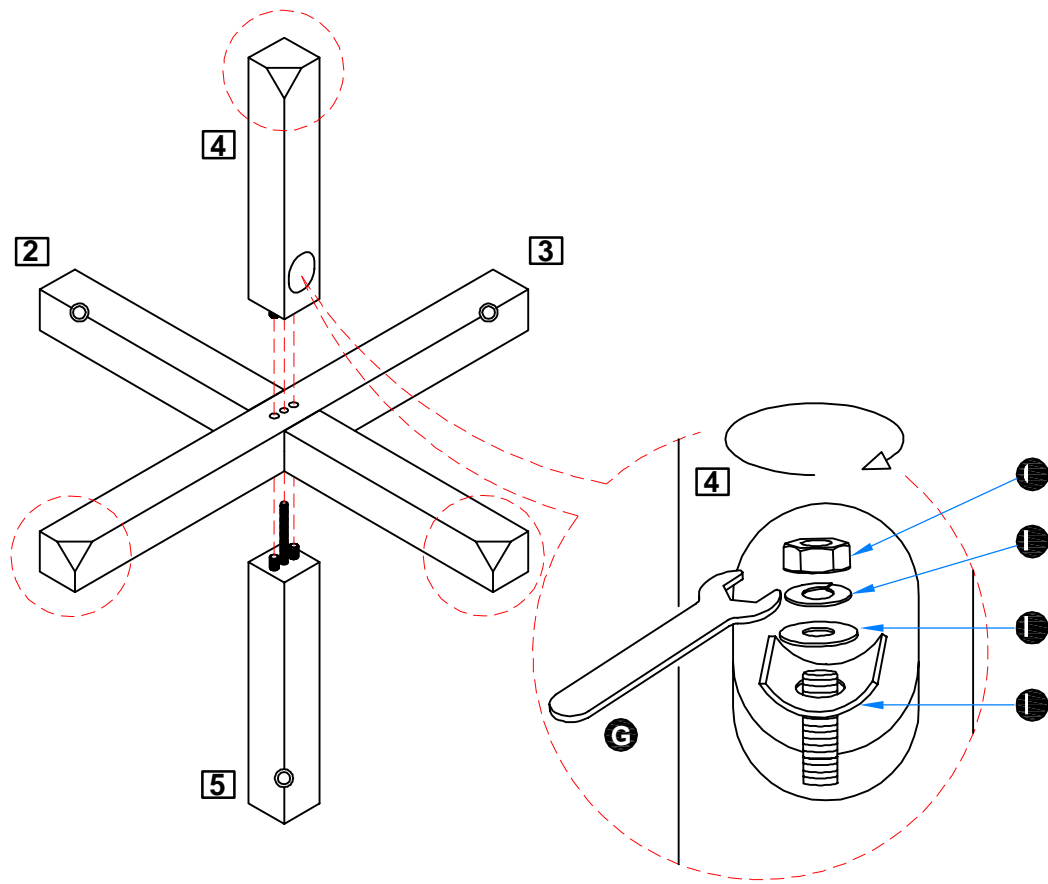
Assembling leg frame

Assemble the upper and lower short legs **4** and **5** on either side of the long legs as shown.

Note: Ensure the fixing holes are located as shown.

Secure the assembly using fixings **C** **D** **E** and **F**

Note: Do not fully tighten at this stage!

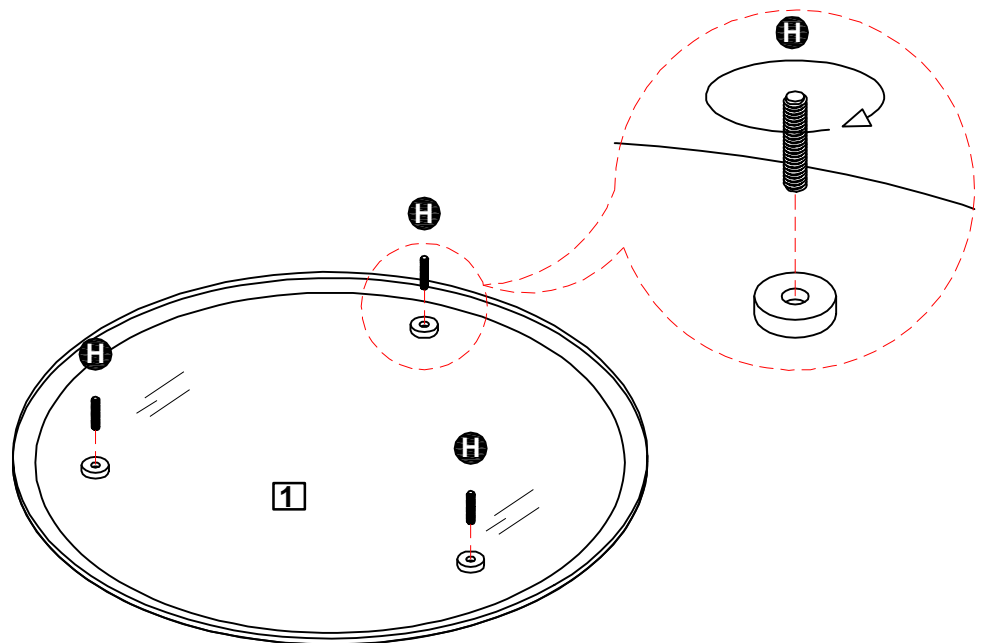


Step 4

Preparing glass top.

With help, carefully place glass top **1** upside down onto a clean flat surface.

Screw short threaded rods **H** into the metal discs on the underside of the glass top.

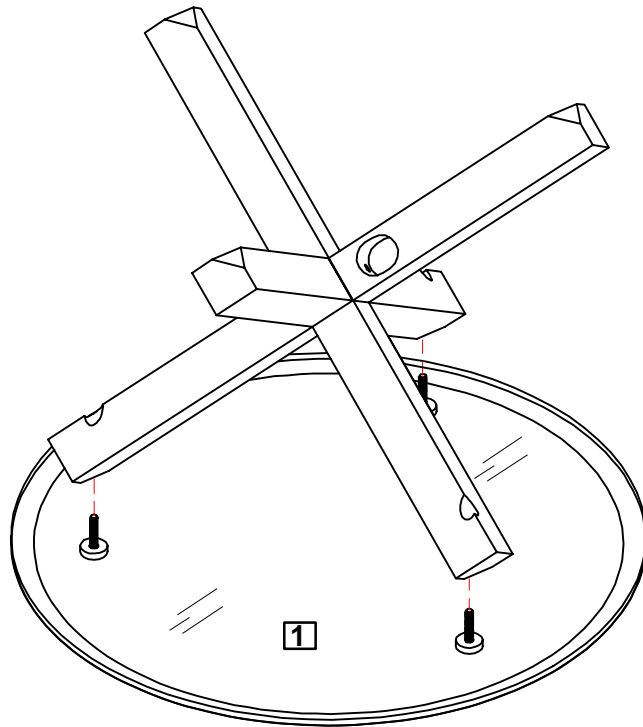


Assembly Instructions

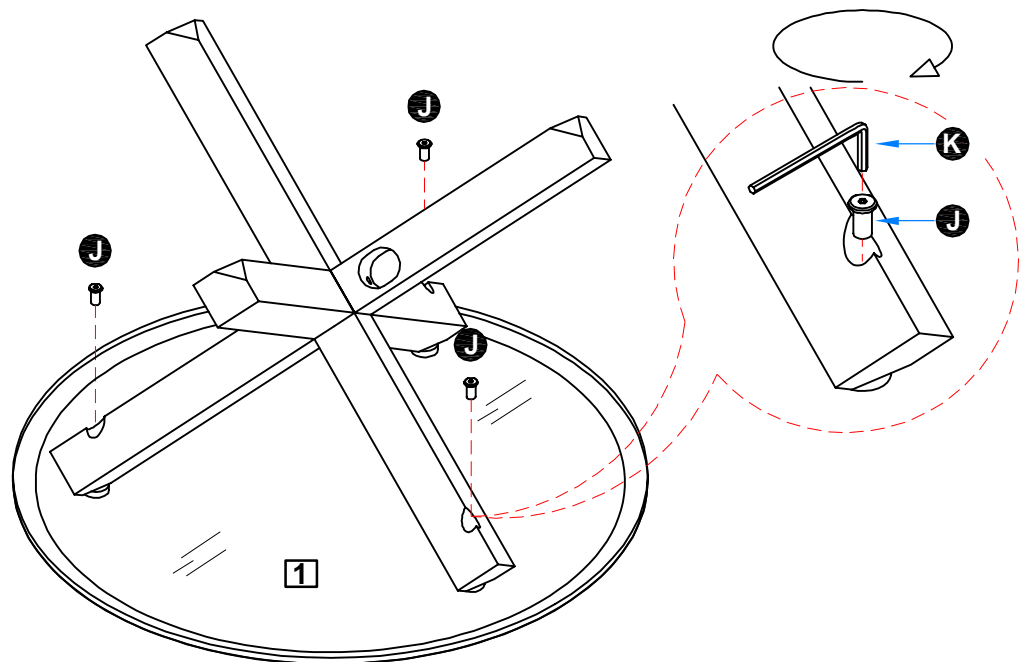
Step 5

Assembling leg frame onto glass top.

a: With help, carefully align the leg frame onto glass top **1**



b: Secure using female nuts **J**

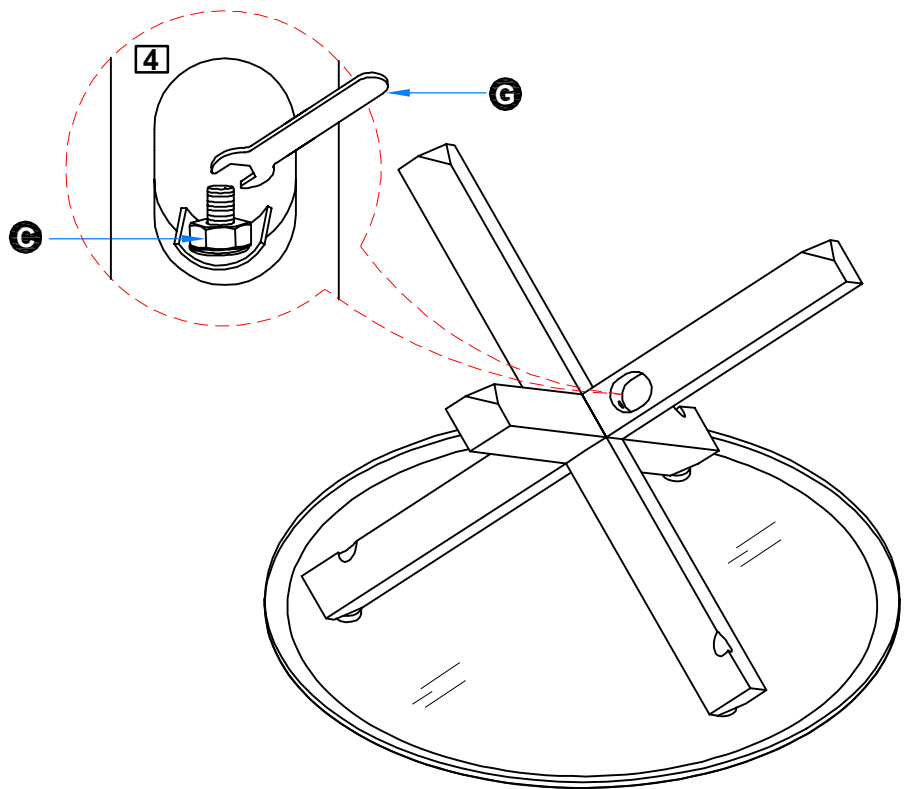


Assembly Instructions

Step 6

Final tightening

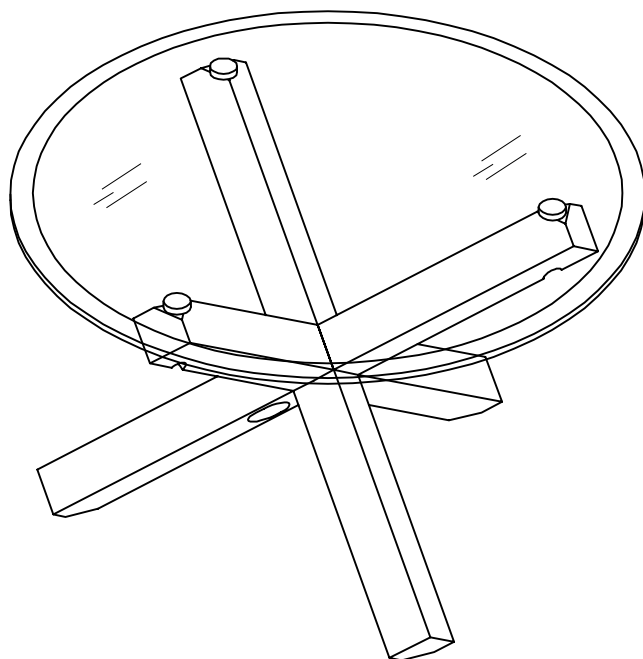
Fully tighten nut **G** inside lower short leg **4**



Step 7

Turn upright

With help, carefully turn the table upright.



Assembly is complete

If you need help or have damaged or missing parts, call the **Customer Helpline: 0345 640 0800**
Home Retail Group, 489-499 Avebury Boulevard, Saxon Gate West. Central Milton Keynes MK9 2NW