

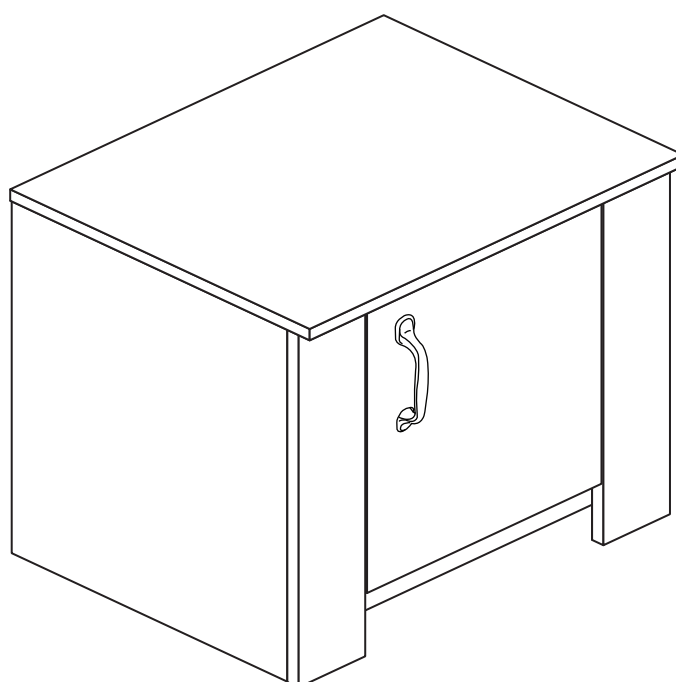
# Dalton - 1 Door Bedside

Assembly Instructions - Please keep for future reference

238/4638

238/5297

248/5094



## Dimensions

Width - 49.5cm

Depth - 40cm

Height - 49cm



**MADE IN  
BRITAIN**

**Important** - Please read these instructions fully before starting assembly

If you need help or have damaged or missing parts, call the **Customer Helpline: 08456 400800**



# Safety and Care Advice

**Important - Please read these instructions fully before starting assembly**

- **Warning:** This unit weighs approximately 12kgs. Please lift with care.

- Check you have all the components and tools listed on pages 2 and 3.

- Remove all fittings from the plastic bags and separate them into their groups.

- Keep children and animals away from the work area, small parts could choke if swallowed.

- Parts of the assembly will be easier with 2 people.

- Make sure you have enough space to layout the parts before starting.

- Do not stand or put weight on the product, this could cause damage.

- Assemble the item as close to its final position (in the same room) as possible.

- Assemble on a soft level surface to avoid damaging the unit or your floor (use opened out unit carton).



- We do not recommend the use of power drill/drivers **for inserting screws**, as this could damage the unit. Only use hand screwdrivers.

- **Safety note:** If there is any chance of this unit being pulled over by children etc. it is recommended that the unit is secured to a wall using suitable fixings (not supplied).

- Dispose of all packaging carefully and responsibly.

## Care and maintenance

- Only clean using a damp cloth and mild detergent, do not use bleach or abrasive cleaners.

- From time to time check that there are no loose screws on this unit.

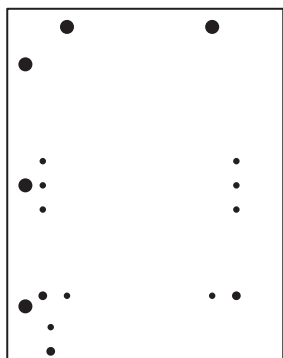
- This product should not be discarded with household waste. Take to your local authority waste disposal centre.

**Note:** If required the next page can be cut out and used as reference throughout the assembly. Keep this page with these instructions for future reference.

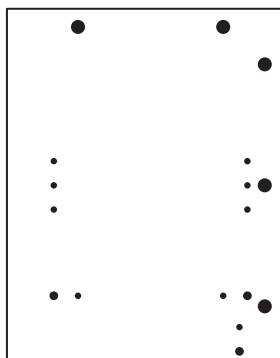
# Components - Panels

If you have damaged or missing components, call the **Customer Helpline: 08456 400800** quoting the reference numbers below

Please check you have all the panels listed below



**1** Left End (DF857)  
(467 x 365mm)



**2** Right Side (D0273A)  
(399 x 353mm)



**3** Top (DF688)  
(494 x 396mm)



**4** Base (DF860)  
(460 x 354mm)



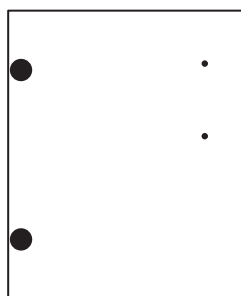
**5** Shelf (DF861)  
(460 x 354mm)



**6** Plinth (DF690)  
(460 x 80mm)



**7** Pilaster (DF691)  
(467 x 88mm) x 2



**8** Door (DF859)  
(381 x 310mm)



**9** Back (X486-396)  
(486 x 396mm)


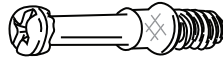

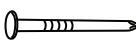
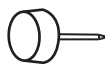



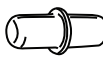
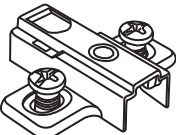
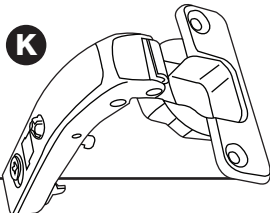


# Components - Fittings

If you have damaged or missing components, call the **Customer Helpline: 08456 400800** quoting the reference numbers below

Please check you have all the fittings listed below

**Note:** The quantities below are the correct amount to complete the assembly. In some cases more fittings may be supplied than are required.

<p><b>A</b> </p> <p>Wooden dowel (F22) x 10</p>	<p><b>B</b> </p> <p>Metal dowel (F901) x 16</p>	<p><b>C</b> </p> <p>Large locking nut (F900) x 16</p>
<p><b>D</b> </p> <p>Nail (F51) x 12</p>	<p><b>E</b> </p> <p>Plastic Nail (F91) x 4</p>	<p><b>F</b> </p> <p>19mm Screw (F461) x 2</p>
<p><b>G</b> </p> <p>Handle (F287) x 1</p>	<p><b>H</b> </p> <p>13mm Screw (F63) x 4</p>	<p><b>I</b> </p> <p>Shelf stud (F110) x 4</p>
<p><b>J</b> </p> <p>Hinge Plate (F325) x 2</p>	<p><b>K</b> </p> <p>Hinge Arm (F324) x 2</p>	

## Tools required



Rule



Cross-head screwdriver



Scissors



Hammer



Eye protection (when using a hammer or drill)

Ruler - Use this ruler to help correctly identify the screws

mm 10 20 30 40 50 60 70 80 90 100 110 120 130 140 150 160 170

# Assembly Instructions

If you have damaged or missing components, call the Customer Helpline: 08456 400800 quoting the reference numbers below

## Step 1

### Prepare the left end

Tap 2 wooden dowels **A** into the left end **1**.

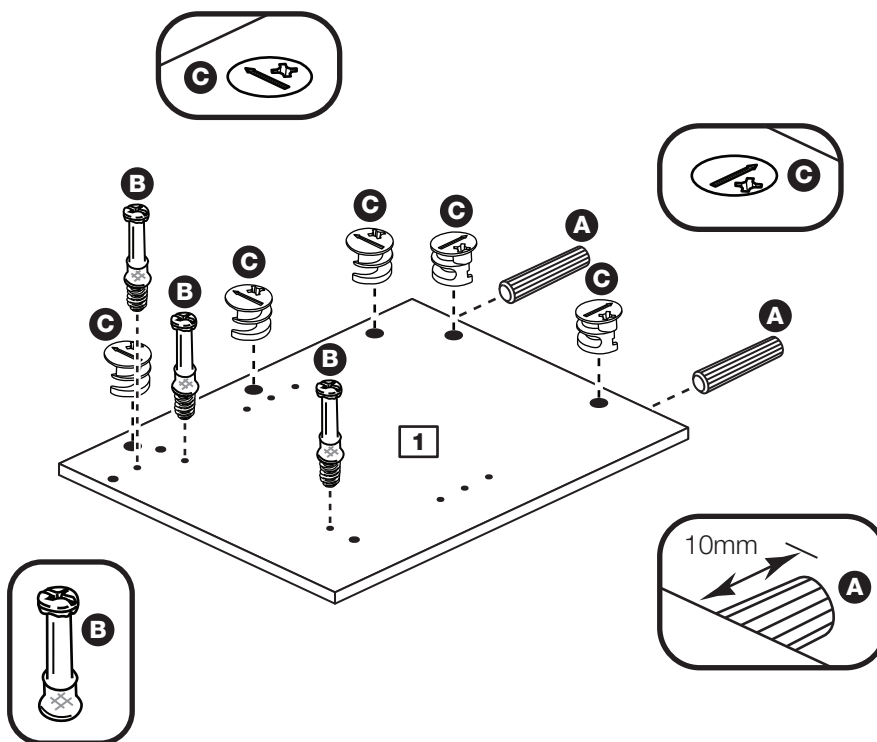
**Note:** Wooden dowels **must not** stick out from the edge by more than 10mm or they may damage other panels.

Insert 5 large locking nuts **C** into the left end **1**.

**Note:** The arrow on the locking nut **must** point towards the hole in the edge of the panel.

Screw 3 metal dowels **B** into the left end **1**.

**Note:** Tighten the metal dowels up fully against the panels.



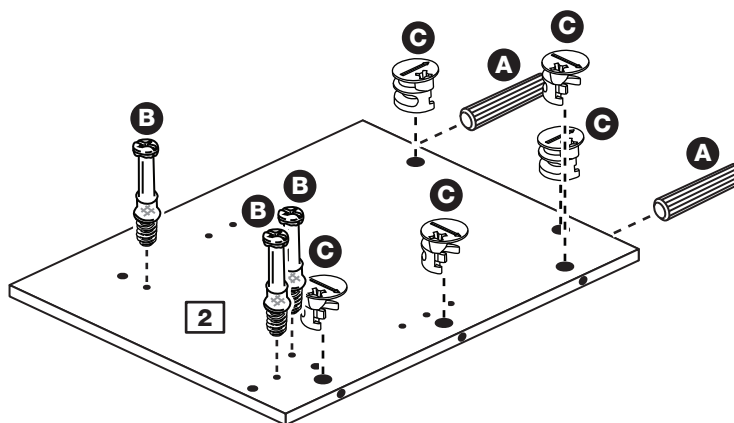
## Step 2

### Prepare the right end

Tap 2 wooden dowels **A** into the right end **2**.

Insert 5 large locking nuts **C** into the right end **2**.

Screw 3 metal dowels **B** into the right end **2**.



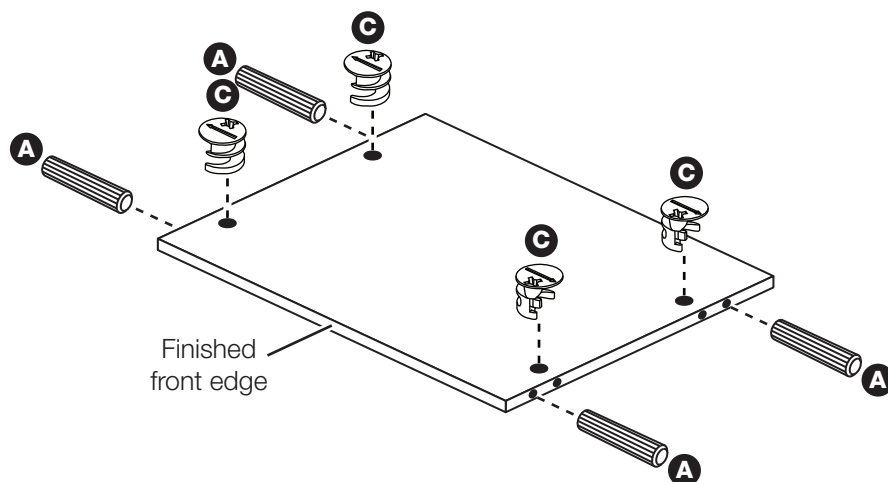
# Assembly Instructions

## Step 3

### Prepare the base

Tap 4 wooden dowels **A** into the base **4**.

Insert 4 large locking nuts **C** into the base **4**.



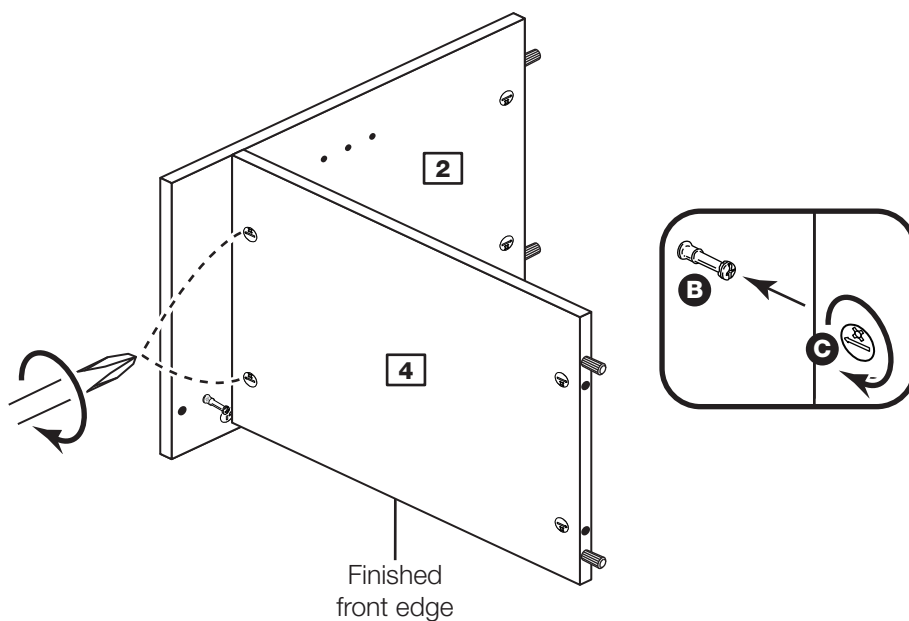
## Step 4

### Fit the base to the right end

Push the base **4** onto the right end **2**.

Use a screwdriver to tighten the 2 large locking nuts **C** fitted to the base **4**.

**Note:** Turn the large locking nuts **C** as far as they will go - more than 1/2 a turn.

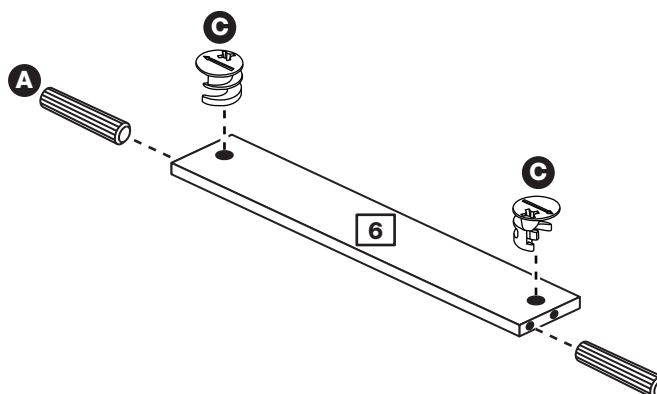


## Step 5

### Prepare the plinth

Insert 2 large locking nuts **C** into the plinth **6**.

Tap 2 wooden dowels **A** into the plinth **6**.



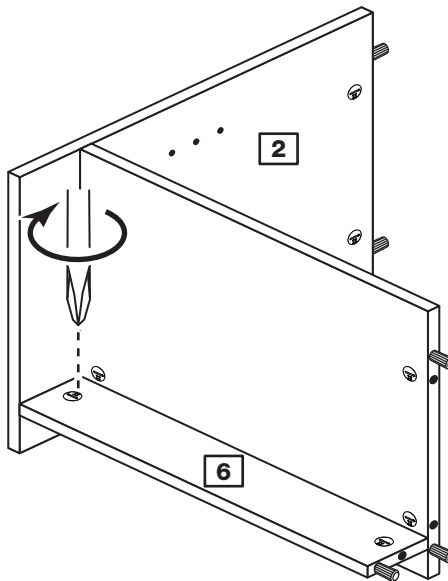
# Assembly Instructions

## Step 6

### Fit the plinth to the right end

Push the plinth **6** onto the right end **2**.

Use a screwdriver to tighten the large locking nut **C** fitted to the plinth **6**.

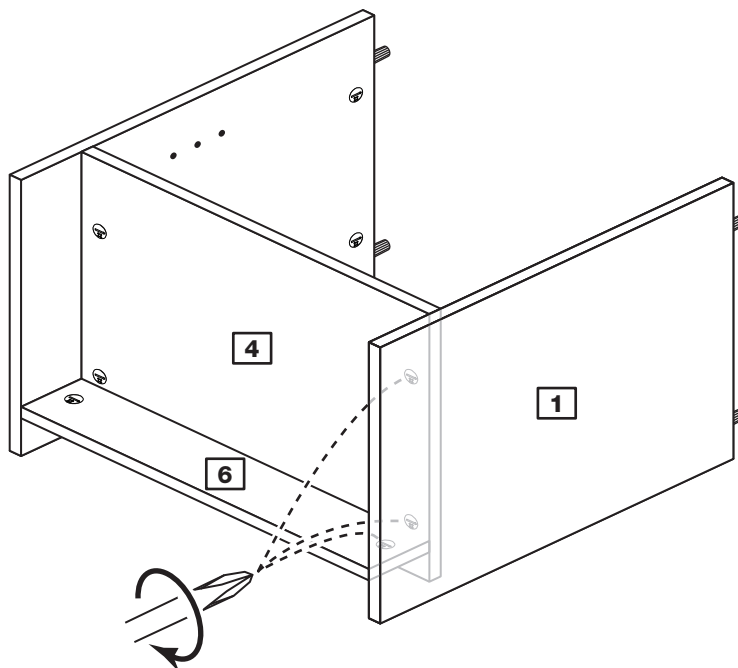


## Step 7

### Fit the left end

Push the left end **1** onto the assembly.

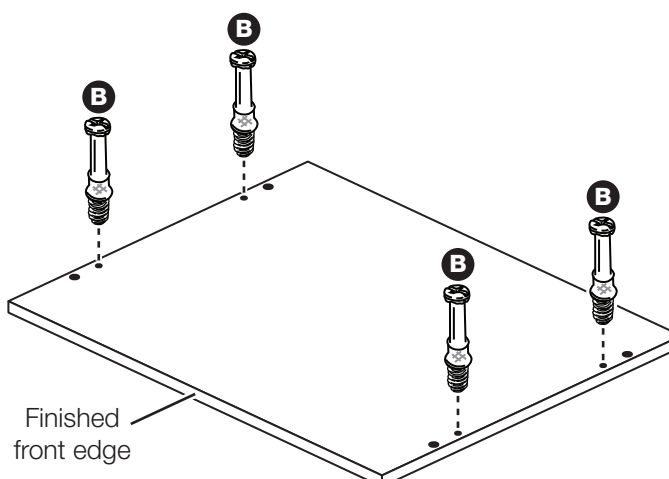
Use a screwdriver to tighten the 3 large locking nuts **C** fitted to the base **4** and the plinth **6**.



## Step 8

### Prepare the top

Screw 4 metal dowels **B** into the top **3**.



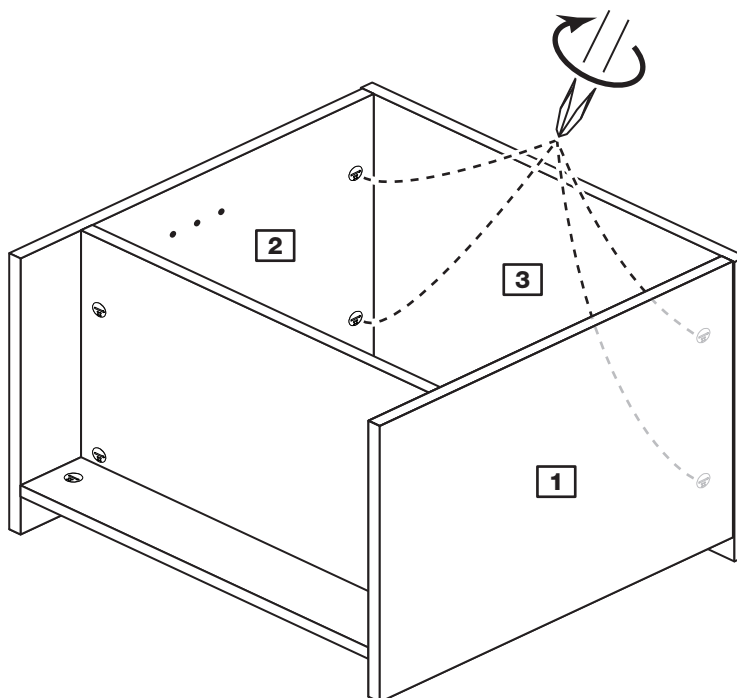
# Assembly Instructions

## Step 9

### Fit the top

Push the top **3** onto the assembly.

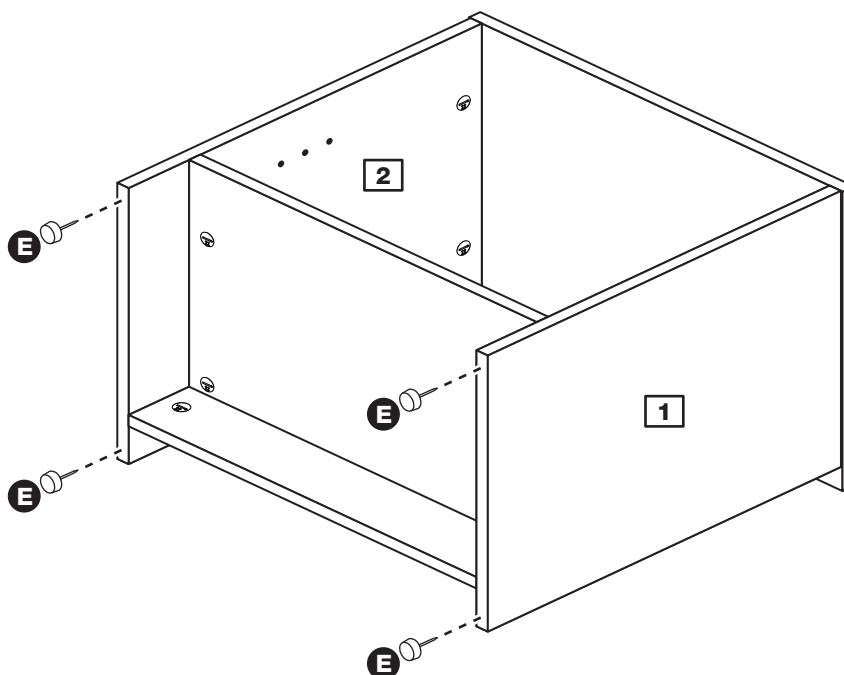
Use a screwdriver to tighten the 4 large locking nuts **C** fitted to the left end **1** and right end **2**.



## Step 10

### Fit the 4 plastic nails

Tap 2 plastic nails **E** into the bottom edge of each of the sides **1** and **2**.





# Assembly Instructions

## Step 11

### Fit the back

**a:** Square up the unit by making sure that measurement **x** to **x** equals **y** to **y**.

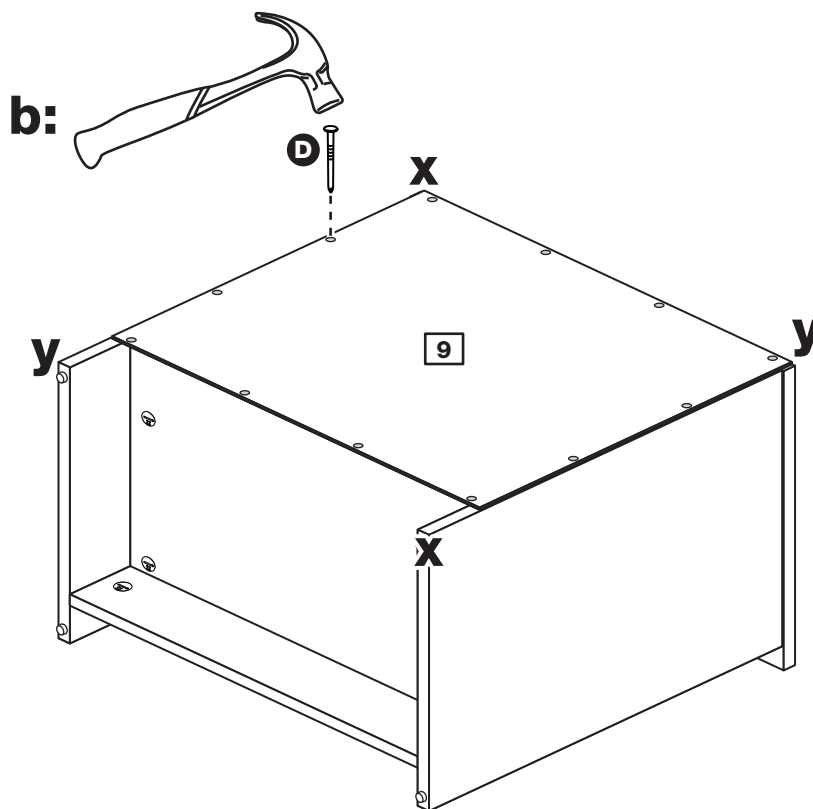
**b:** Place the back **9** onto the unit.

Nail **D** around the outside edges of the back **9**.

**Note:** Nails should be spaced about 150mm apart.

**Stand the unit up for the next step.**

**a:** The measurement from top corner X to bottom corner X must be equal to the measurement from top corner Y to bottom corner Y



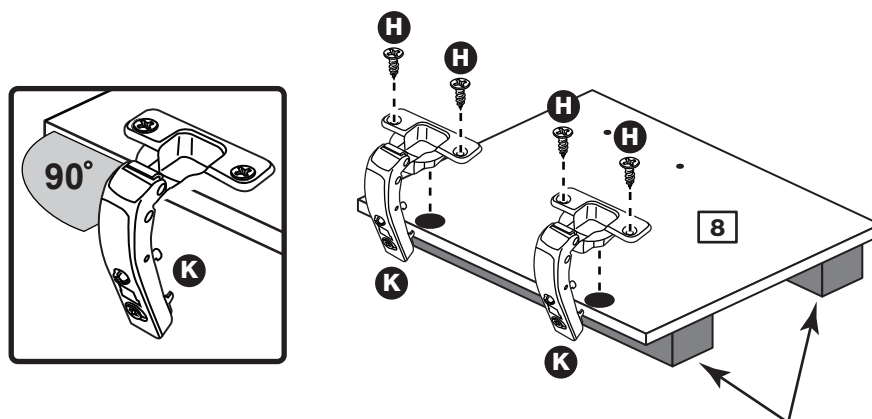
## Step 12

### Prepare the door

Push fit the 3 hinges **K** into the door **8**.

Secure each hinge **K** with 2 screws **H**.

**Note:** Before securing with the screws, make sure that the hinges are positioned at 90 degrees with the edge of the door.



**Note:** To make it easier to fit the hinges, rest the door on something to raise it up.

# Assembly Instructions

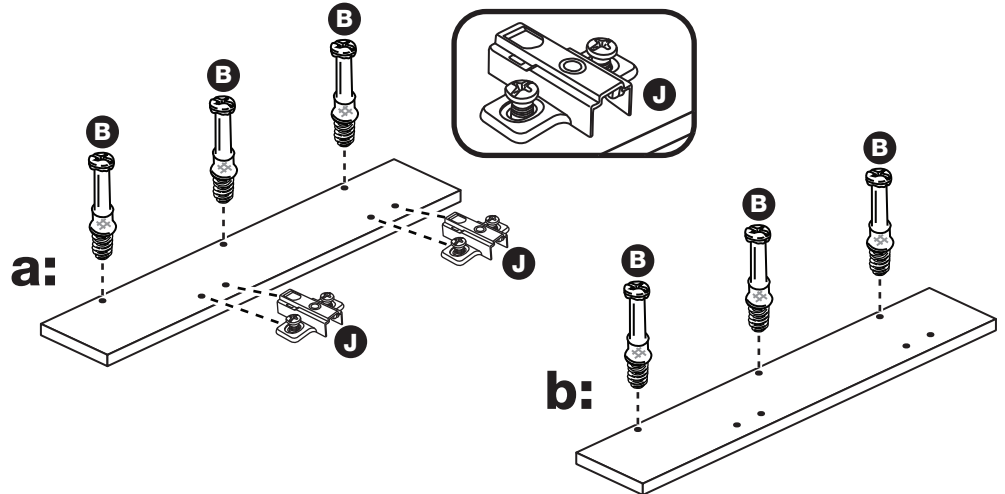
## Step 13

### Prepare the 2 pallisters

**a:** Fit 2 hinge plates **J** to one of the pallisters **6**.

Screw 3 metal dowels **B** into the pallister **6**.

**b:** Screw 3 metal dowels **B** into the other pallister **6**.



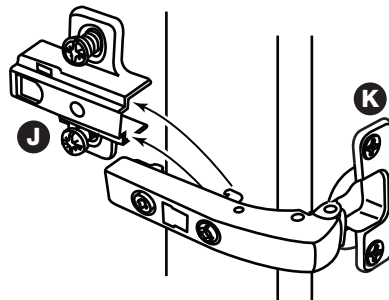
## Step 14

### Fit the door to the pallister

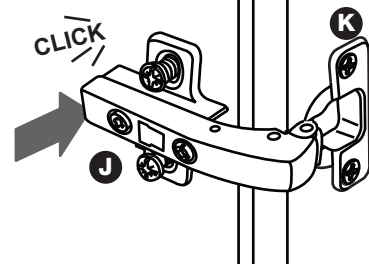
*2 people are needed here*

Fit the door **8** to the pallister **7** with the hinge plates **J**.

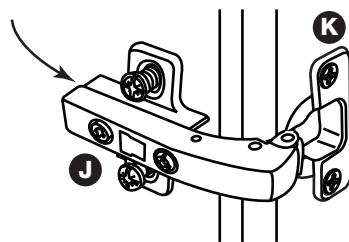
**a:** Locate the hooks on the Hinge Arm underneath the front of the Hinge Plate.



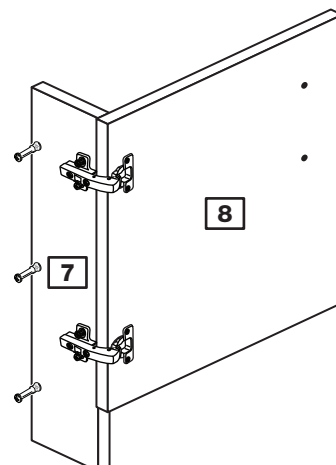
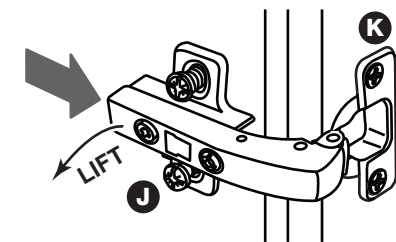
**b:** Press the front of the Hinge Arm down onto the Hinge Plate until it 'CLICKS' into place.



**c:** The Hinge Arm must be flat against the Hinge Plate prior to any adjustment.



**d:** To separate the Hinge Arm and Plate press the button at the end of the Arm, and lift the Hinge Arm off the Plate.

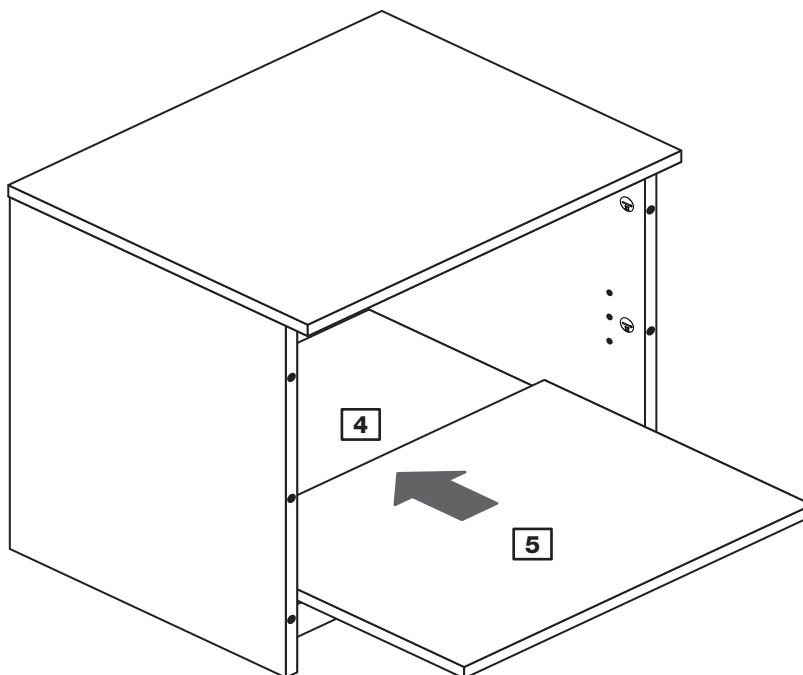


# Assembly Instructions

## Step 15

### Insert the shelf

Place the shelf **5** into the unit to rest on the base **4**.

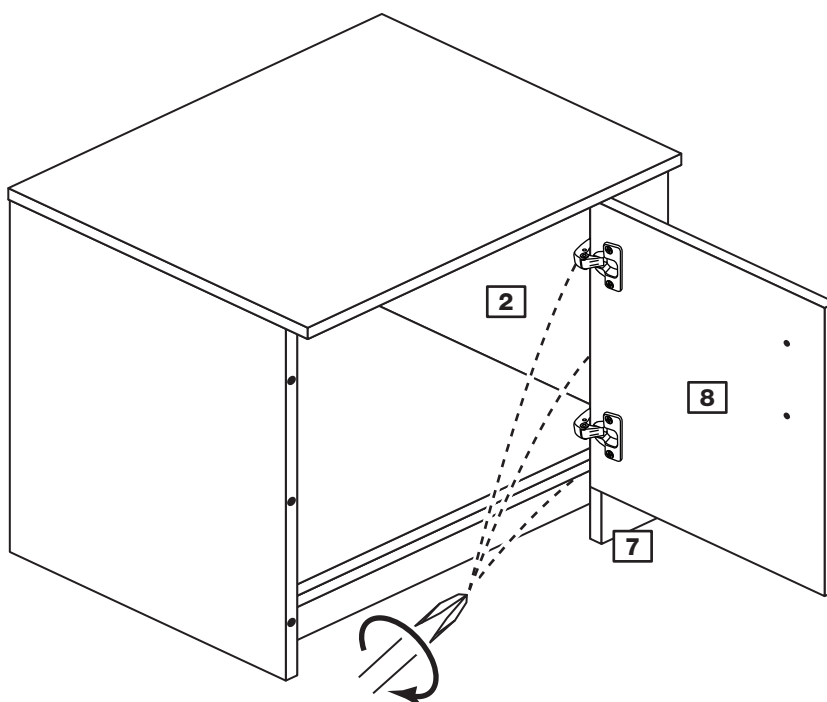


## Step 16

### Fit the door pallister

Push the pallister **7** with the door **8** attached onto the right side **2**.

Use a screwdriver to tighten the 3 large locking nuts **C** fitted to the right side **2**.



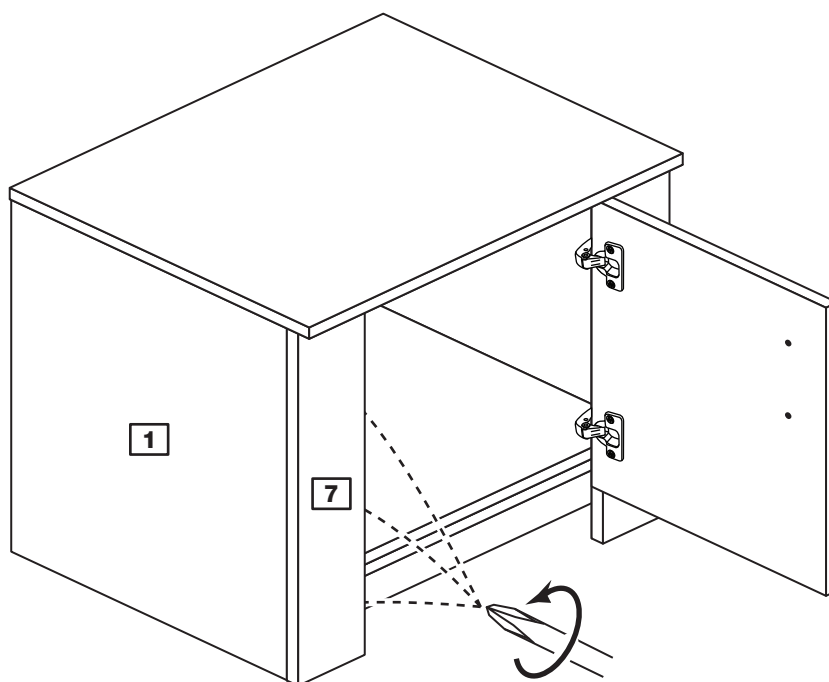
# Assembly Instructions

## Step 17

### Fit the other pallister

Push the other pallister **7** onto the left side **1**.

Use a screwdriver to tighten the 3 large locking nuts **C** fitted to the left side **1**.

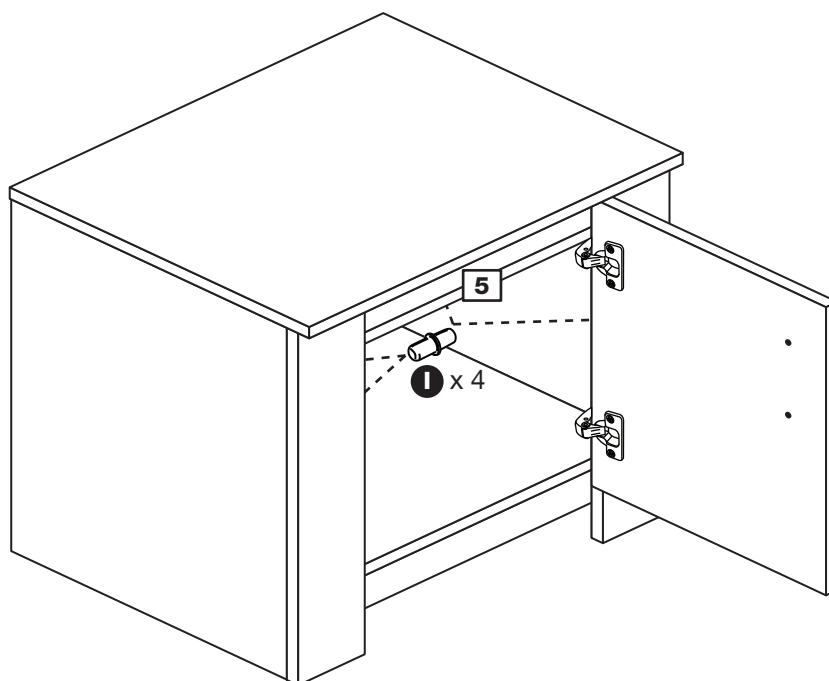


## Step 18

### Fit the shelf

Lift the shelf **5** up and insert 4 shelf studs **1** at the required height.

Lower the shelf **5** down onto the shelf studs **1**.

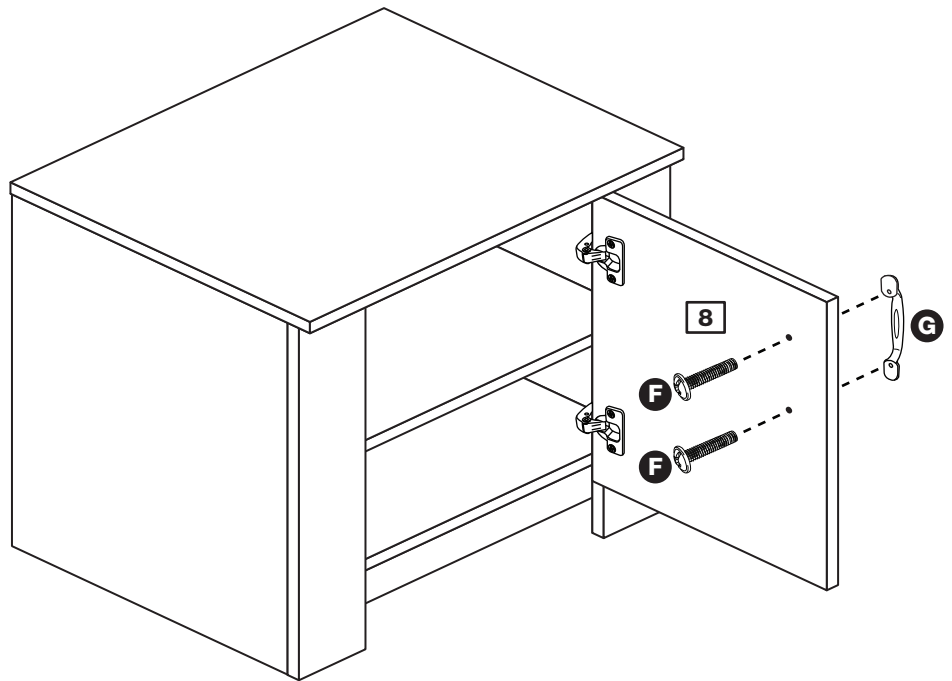


# Assembly Instructions

## Step 19

### Fit the handle

Attach the handle **G** to the door **8** using 2 screws **F**.



# Assembly Instructions

## Step 20

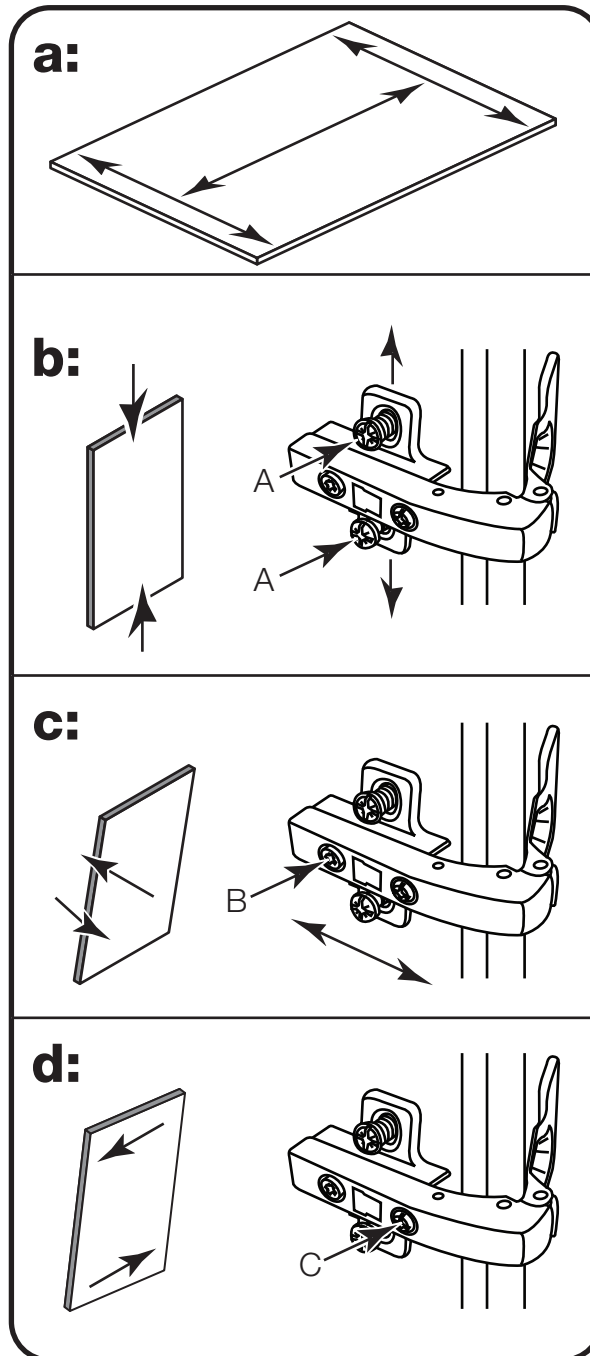
### Adjust the door if needed

**a:** Before adjusting the door, use a spirit level to check the top (or base) of the unit is level, front-to-back and side-to-side in the 3 positions shown. Use suitable packing pieces (not supplied) to make the unit level BEFORE making any adjustment to the hinges, as shown.

**b: Height adjustment.**  
Loosen screws A on hinge plates and move door up or down as required.  
Retighten screw A.

**c: Forward and Back adjustment.**  
Loosen screw B on hinge plate and move door in or out as required.  
Retighten screw B.

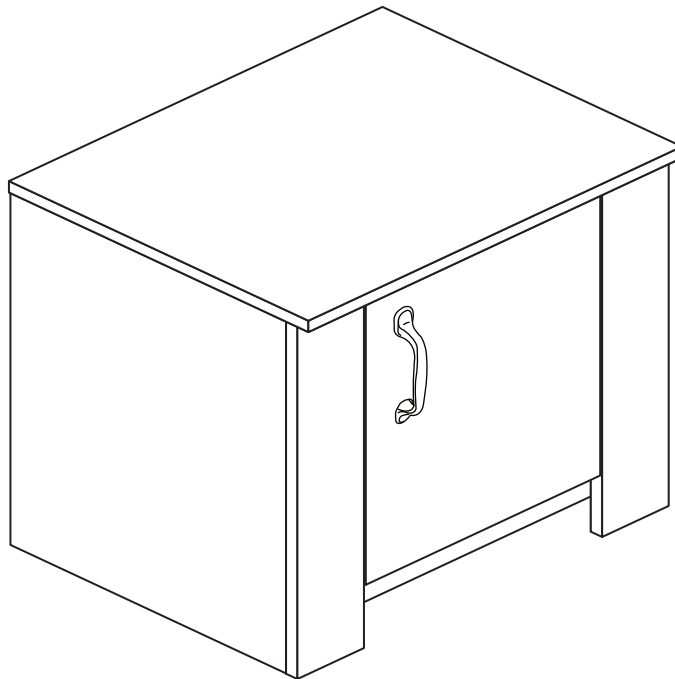
**d: Sideways adjustment.**  
To move door 'out' loosen screw C.  
To move door 'in' tighten screw C



# Assembly Instructions

## Step 21

**Assembly is complete**



If you need help or have damaged or missing parts, call the **Customer Helpline: 08456 400800** and quote the reference numbers on the component pages.  
Argos Ltd, 489-499 Avebury Boulevard, Central Milton Keynes, MK9 2NW

