

Malibu - Media Unit

Assembly Instructions - Please keep for future reference

259/7937

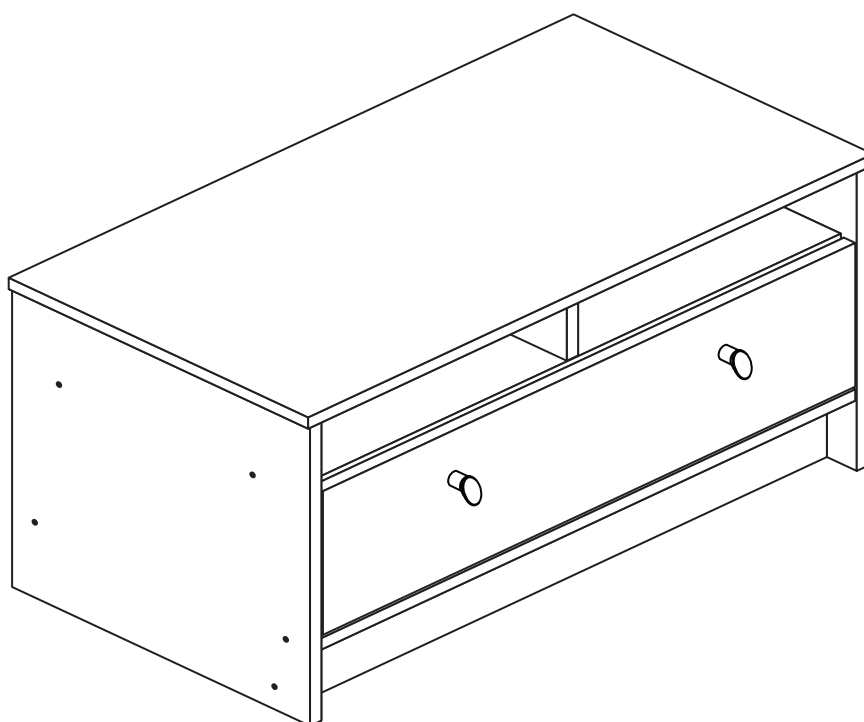
278/5079

238/3172

228/8284

259/8967

275/3953



Dimensions

Width - 75cm

Depth - 40cm

Height - 41cm



**MADE IN
BRITAIN**

Important - Please read these instructions fully before starting assembly

If you need help or have damaged or missing parts, call the **Customer Helpline: 08456 400800**



Safety and Care Advice

Important - Please read these instructions fully before starting assembly

- **Warning:** This unit weighs approximately 15.5kgs. Please lift with care.

- Check you have all the components and tools listed on pages 2 and 3.

- Remove all fittings from the plastic bags and separate them into their groups.

- Keep children and animals away from the work area, small parts could choke if swallowed.

- Parts of the assembly will be easier with 2 people.

- Make sure you have enough space to layout the parts before starting.

- Do not stand or put weight on the product, this could cause damage.

- Assemble the item as close to its final position (in the same room) as possible.

- Assemble on a soft level surface to avoid damaging the unit or your floor (use opened out unit carton).



- We do not recommend the use of power drill/drivers **for inserting screws**, as this could damage the unit. Only use hand screwdrivers.

- **Safety note:** If there is any chance of this unit being pulled over by children etc. it is recommended that the unit is secured to a wall using suitable fixings (not supplied).

- Dispose of all packaging carefully and responsibly.

Care and maintenance

- Only clean using a damp cloth and mild detergent, do not use bleach or abrasive cleaners.

- From time to time check that there are no loose screws on this unit.

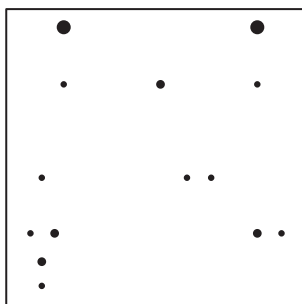
- This product should not be discarded with household waste. Take to your local authority waste disposal centre.

Note: If required the next page can be cut out and used as reference throughout the assembly. Keep this page with these instructions for future reference.

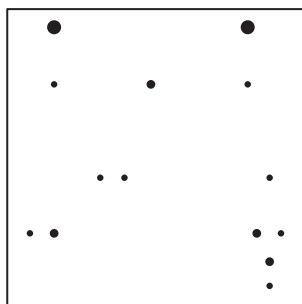
Components - Panels

If you have damaged or missing components, call the **Customer Helpline: 08456 400800** quoting the reference numbers below

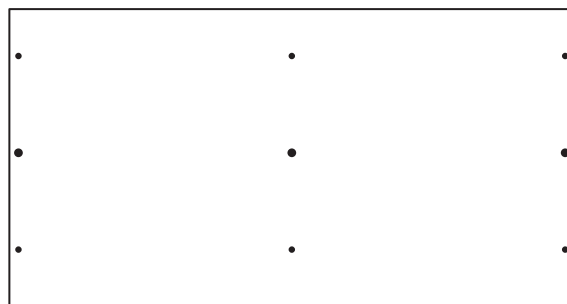
Please check you have all the panels listed below



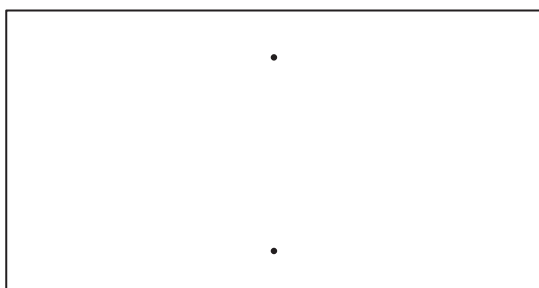
1 Left Side (D2864A)
(396 x 394mm)



2 Right Side (D2565A)
(396 x 394mm)



3 Top (D2863A)
(747 x 396mm)



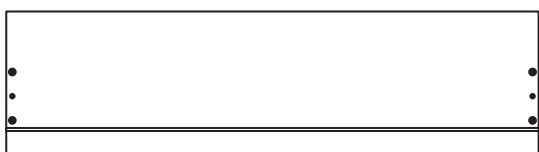
4 Horizontal (D2867A)
(708 x 373mm)



5 Divider (D2866A)
(92 x 372mm)



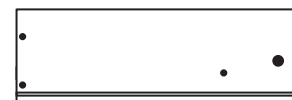
6 Rail (D2868A)
(708 x 92mm) x 3



7 Drawer Front (D2869A)
(704 x 190mm)



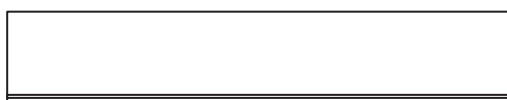
8 Left Drawer Side (W370-124LH)
(370 x 124mm)



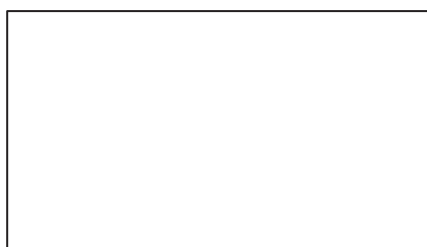
9 Right Drawer Side (W370-124RH)
(370 x 124mm)



10 Drawer Base (T687-367)
(687 x 367mm)



11 Drawer Back (W676-124BCK)
(676 x 124mm)



12 Back (X568-318)
(568 x 318mm)

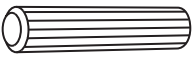
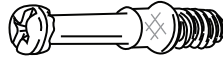

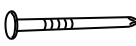







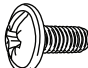





Components - Fittings

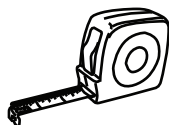
If you have damaged or missing components, call the **Customer Helpline: 08456 400800** quoting the reference numbers below

Please check you have all the fittings listed below

Note: The quantities below are the correct amount to complete the assembly. In some cases more fittings may be supplied than are required.

<p>A </p> <p>Wooden dowel (F22) x 11</p>	<p>B </p> <p>Metal dowel (F901) x 8</p>	<p>C </p> <p>Knock-in Peg (F171GY) x 4</p>
<p>D </p> <p>Nail (F51) x 12</p>	<p>E </p> <p>Large locking nut (F900) x 6</p>	<p>F </p> <p>Small locking nut (F3) x 2</p>
<p>G </p> <p>45mm Screw (F65) x 2</p>	<p>H </p> <p>40mm Screw (F910) x 10</p>	<p>I </p> <p>25mm Screw (F50) x 2</p>
<p>J </p> <p>Drawer runner (F1004) x 2</p>		<p>K </p> <p>Handle (F631) x 2</p>
<p>L </p> <p>9mm Screw (F74) x 2</p>	<p>M </p> <p>9mm Screw (F73) x 4</p>	<p>N </p> <p>Plastic Nail (F91) x 4</p>
<p>O </p> <p>Wedgefix (F639) x 4</p>		

Tools required



Rule



Cross-head screwdriver



Scissors

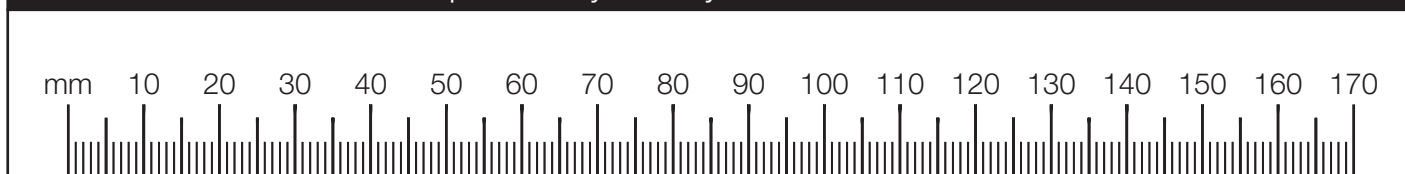


Hammer



Eye protection (when using a hammer or drill)

Ruler - Use this ruler to help correctly identify the screws



Assembly Instructions

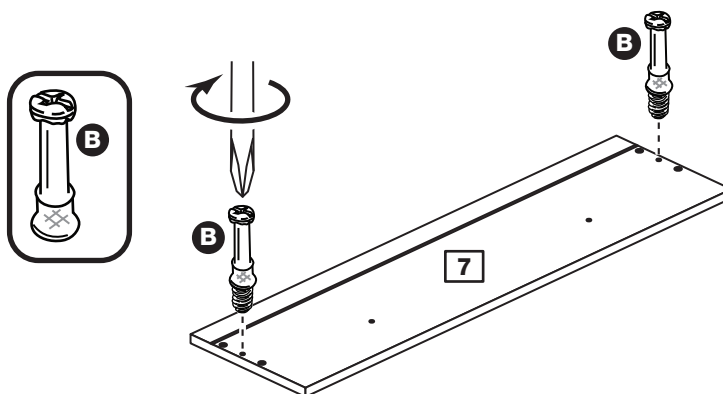
If you have damaged or missing components, call the
Customer Helpline: 08456 400800 quoting the reference
numbers below

Step 1

Prepare the drawer front

Screw 2 metal dowels **B** into the drawer front **7**.

Note: Tighten the metal dowels up fully against the panels.



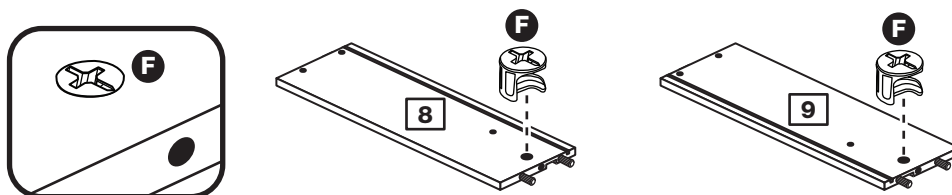
Step 2

Prepare the drawer sides

Insert a small locking nut **F** into the hole shown on the left drawer side **8** and right drawer side **9**.

Note: The arrow on the locking nut **must** point towards the hole in the edge of the panel.

Note: Due to the manufacturing process, the holes for the locking nut can be on either surface of the drawer sides.



Step 3

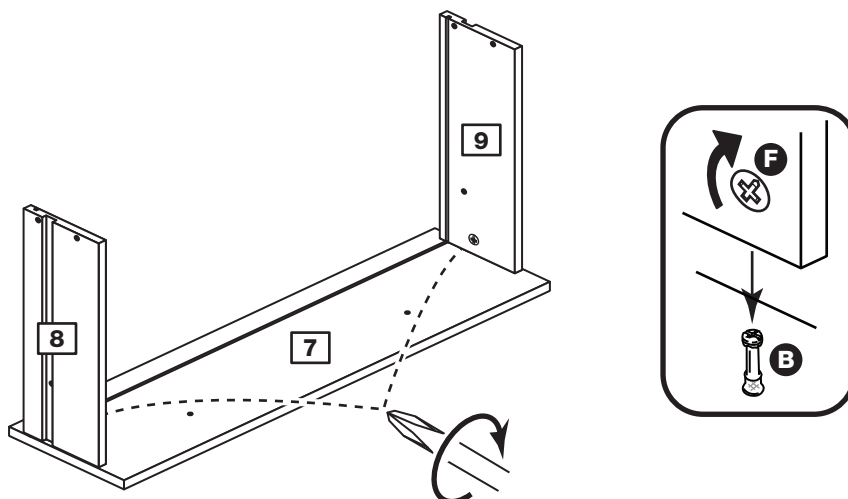
Attach the drawer sides to the drawer front

Push the left drawer side **8** and right drawer side **9** onto the back of the drawer front **7**.

Turn the small locking nuts **F** on the left drawer side **8** and right drawer side **9**.

Note: Turn the locking nuts **F** clockwise to secure panels - more than 1/2 a turn.

Note: The locking nuts can be on either surface of the drawer sides. Make sure that the small groove is on the inside, as shown.

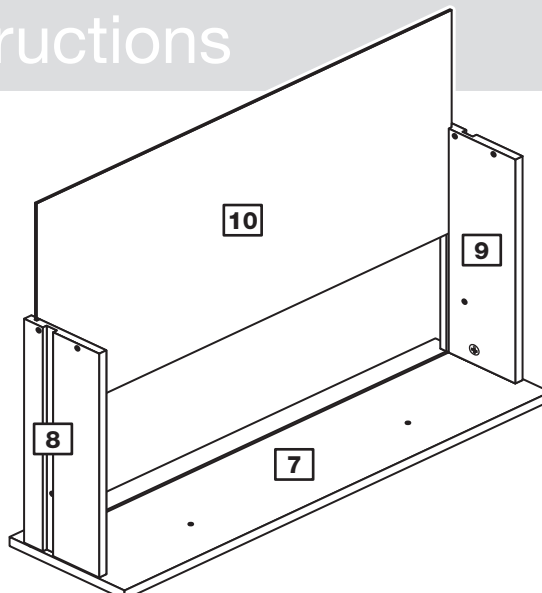


Assembly Instructions

Step 4

Fit the drawer base

Slide the drawer base **10** down the grooves in the drawer sides **8** and **9** and down into the groove in the drawer front **7**.



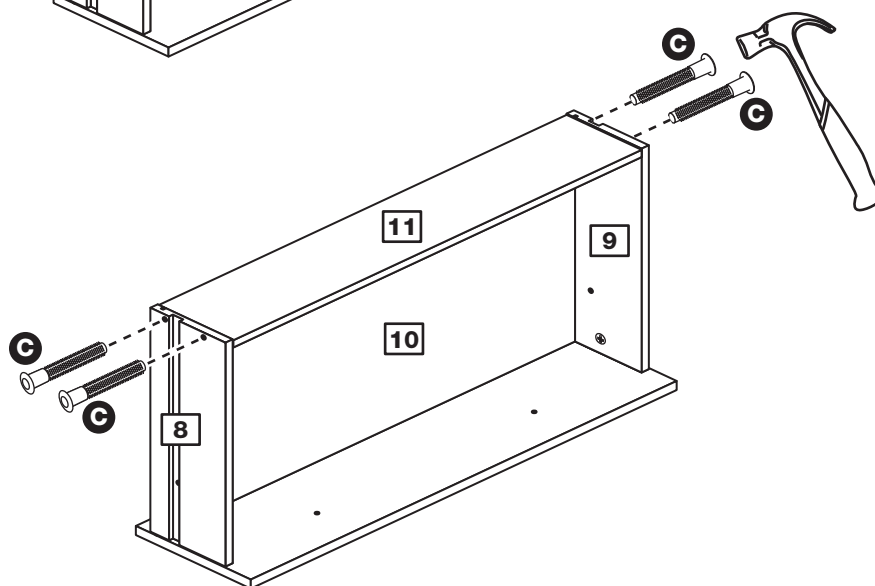
Step 5

Fit the drawer back

Fit the drawer back **11** between the drawer sides **8** and **9**.

Make sure that the drawer base **10** fits into the groove in the drawer back **11**.

Hold the drawer back **11** in position and tap the knock-in pegs **C** through the holes in the drawer sides **8** and **9**.

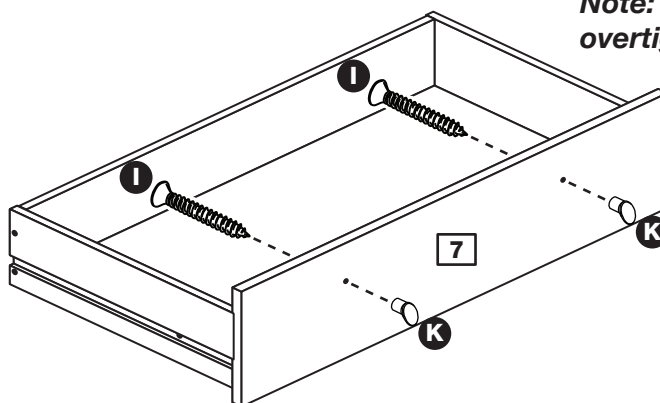


Note: Do not overtighten the screws.

Step 6

Attach the handles

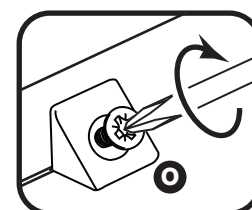
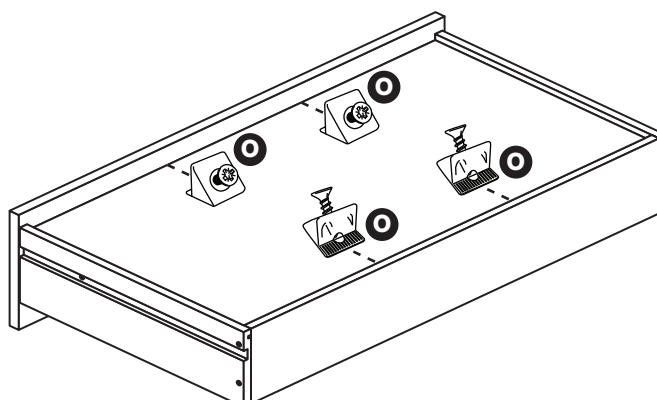
Attach the handles **K** to the drawer front **7** using 2 screws **L**.



Step 7

Fit the wedgifixes

Turn the drawer assembly over and slide 4 wedgifixes **O** into the front and back grooves, as shown, and tighten up the screws.



Assembly Instructions

Step 8

Prepare the left side

a: Place a runner **J** on the left side **1** as shown. Slide back the top of runner and use the 2nd hole from the front to fit the 1st screw **M**.

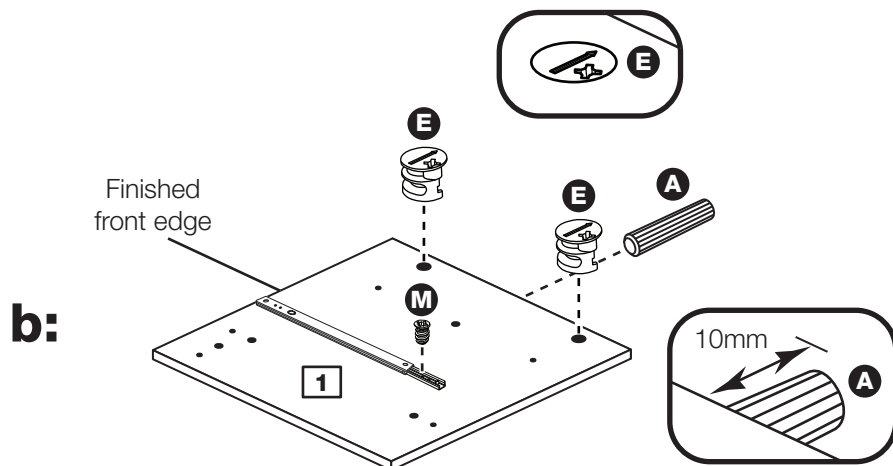
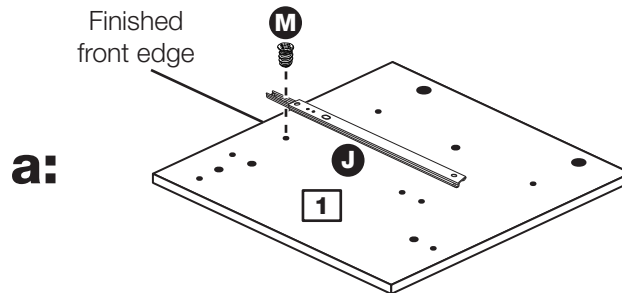
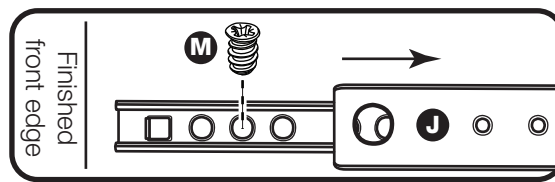
b: Slide the runner **J** back the other way and fit the 2nd screw **M** into the corresponding hole in the left side **1**.

Insert 2 large locking nuts **E** into the left side **1**.

Note: The arrow on the locking nuts **must** point towards the hole in the edge of the panel.

Tap a wooden dowel **A** into the left side **1**.

Note: Wooden dowels **must not** stick out from the edge by more than 10mm or they may damage other panels.



Assembly Instructions

Step 9

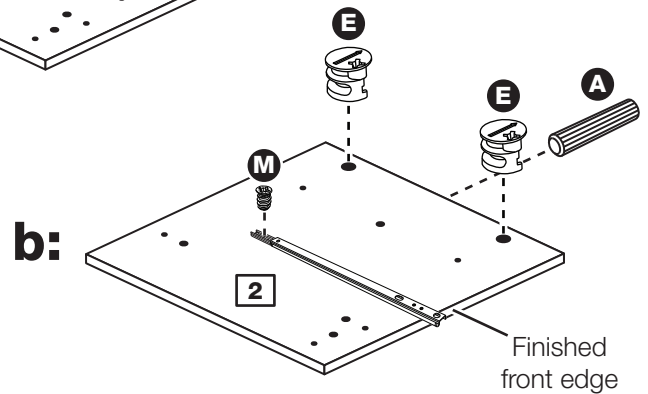
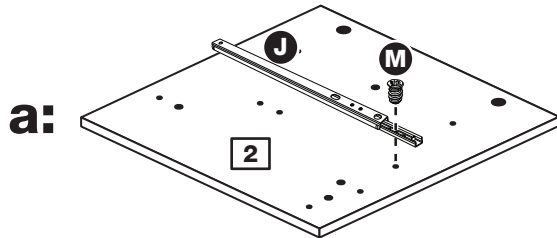
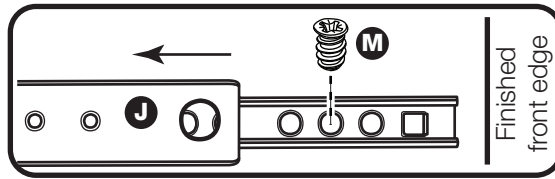
Prepare the right side

a: Place a runner **J** on the right side **2** as shown. Slide back the top of runner and use the 2nd hole from the front to fit the 1st screw **M**.

b: Slide the runner **J** back the other way and fit the 2nd screw **M** into the corresponding hole in the right side **2**.

Insert 2 large locking nuts **E** into the right side **2**.

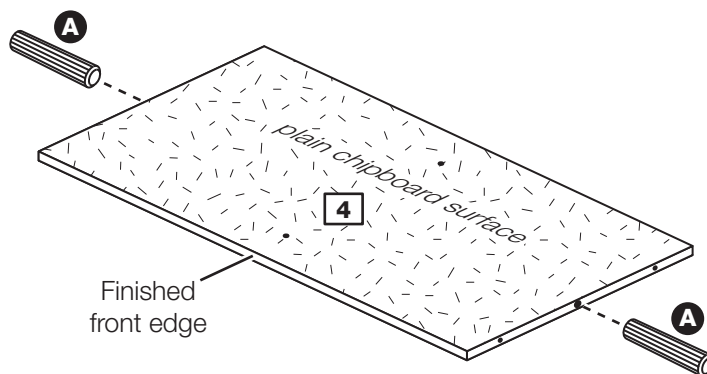
Tap a wooden dowel **A** into the right side **2**.



Step 10

Prepare the horizontal

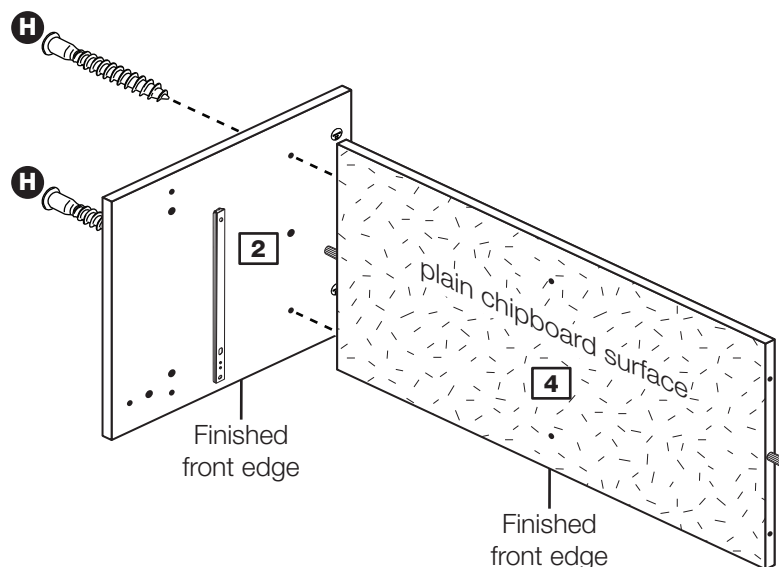
Tap 2 wooden dowels **A** into the horizontal **4**.



Step 11

Fit the horizontal to the right side

Push the horizontal **4** onto the right side **2** and secure with 2 screws **H**.

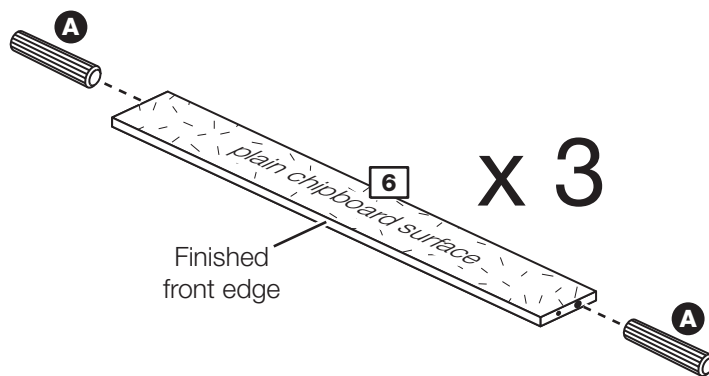


Assembly Instructions

Step 12

Prepare the 3 rails

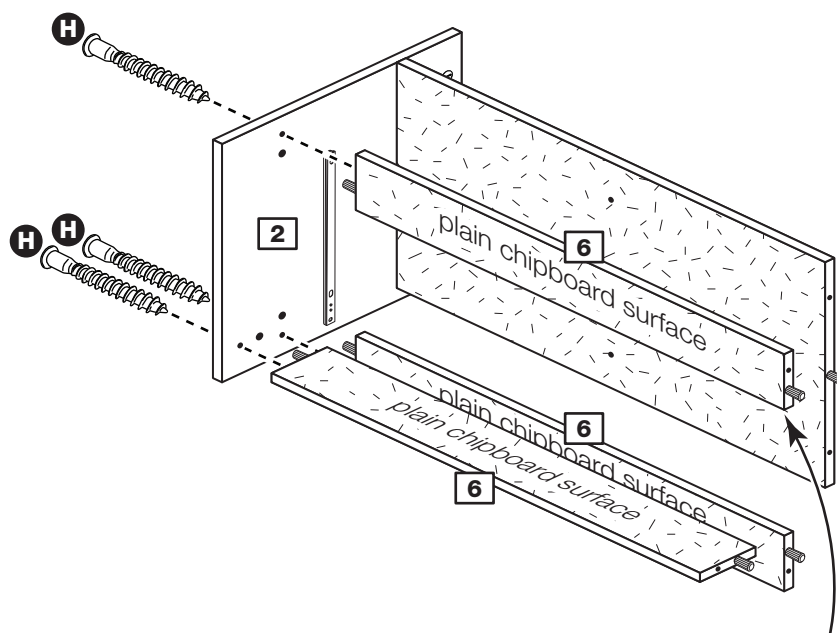
Tap 2 wooden dowels **A** into each of the 3 rails **6**.



Step 13

Fit the 3 rails to the right side

Push the 3 rails **6** onto the right side **2** and secure with 3 screws **H**.



Note: Support the rail at the back of the unit until the left side has been fitted in the next step.

Step 14

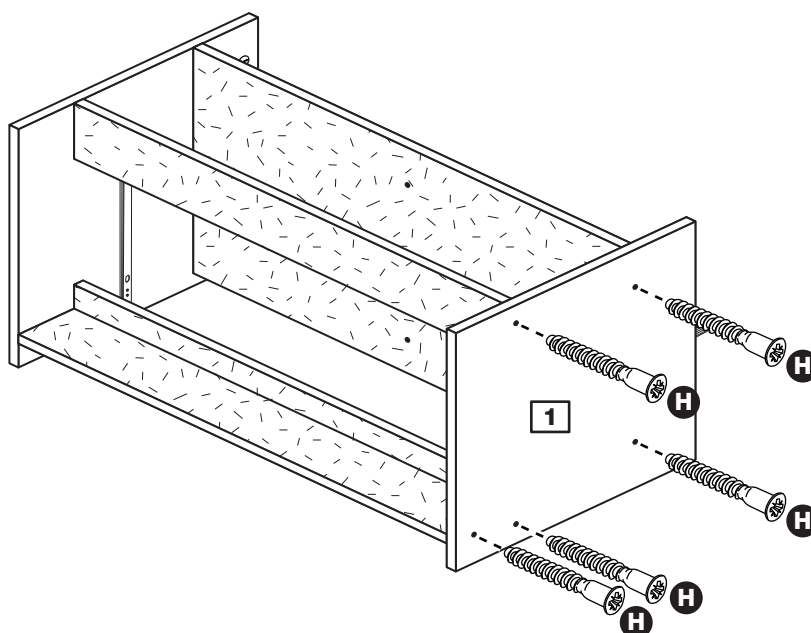
Fit the left side

Push the left side **1** onto the assembly and secure with 5 screws **H**.

Carefully stand the unit up in preparation to fit the top.



Warning: The unit is heavy. Lift with care.

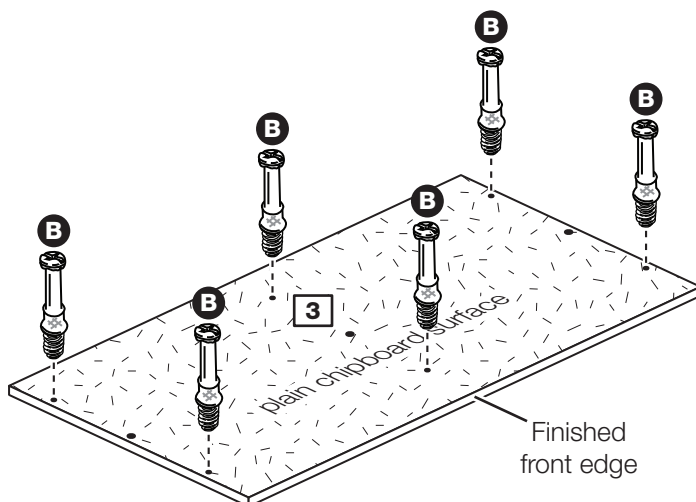


Assembly Instructions

Step 15

Prepare the top

Screw 6 metal dowels **B** into the top **3**.

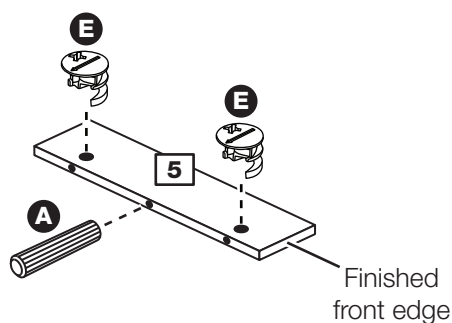


Step 16

Prepare the divider

Tap a wooden dowel **A** into the divider **5**.

Insert 2 large locking nuts **E** into the divider **5**.



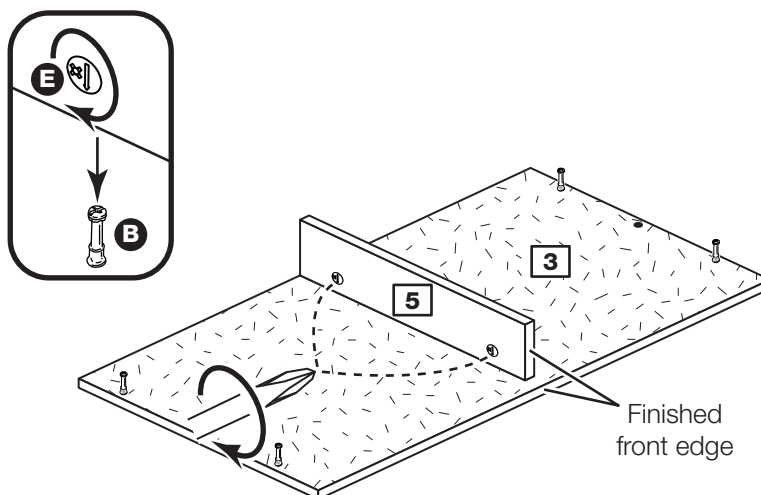
Step 17

Fit the divider to the top

Push the divider **5** onto the top **3**.

Use a screwdriver to tighten the 2 large locking nuts **E** fitted to the divider **5**.

Note: Turn the large locking nuts **E** as far as they will go - more than 1/2 a turn.



Assembly Instructions

Step 18

Fit the top

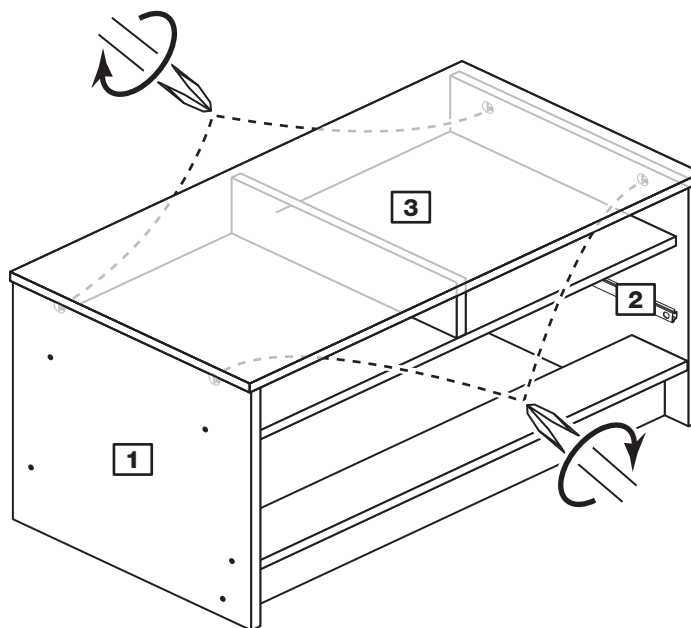
Lower the top **3** down onto the assembly.

Use a screwdriver to tighten the 4 large locking nuts **E** fitted to the sides **1** and **2**.

Carefully lay the unit back down onto its front edges for the next step.



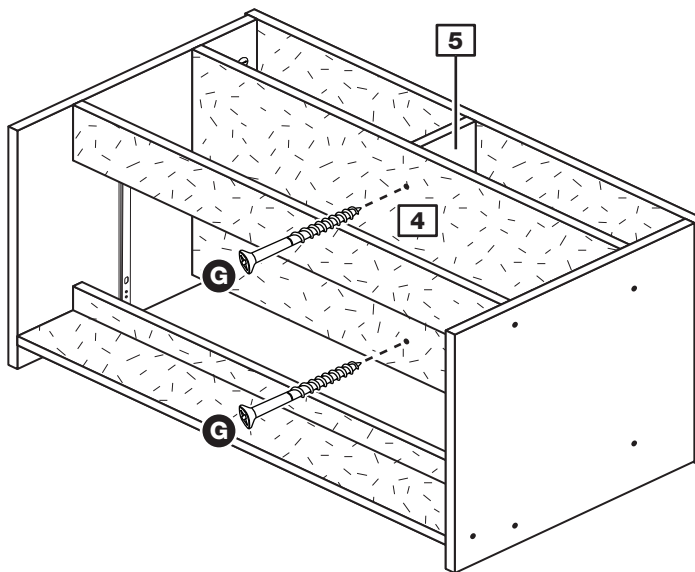
Warning: The unit is heavy. Lift with care.



Step 19

Secure the divider to the horizontal

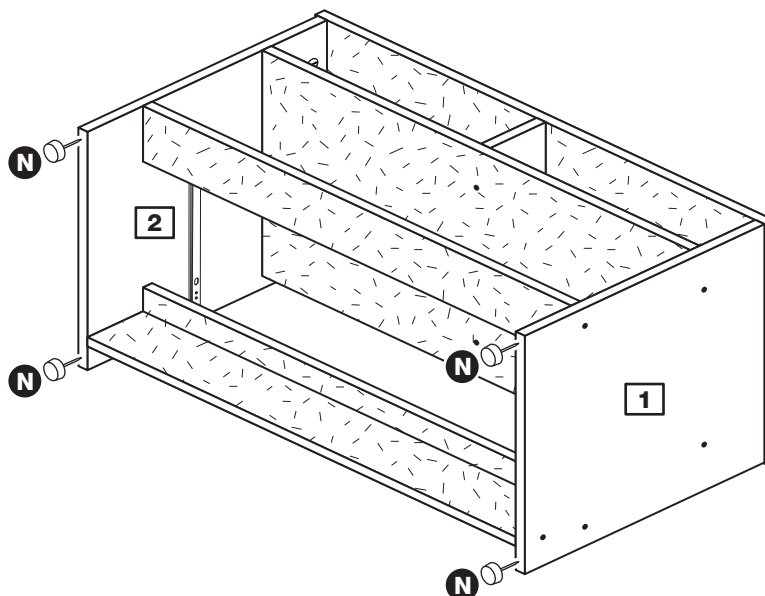
Screw up through the holes in the horizontal **4** and into the bottom edge of the divider **5** using 2 screws **G**.



Step 20

Fit the 4 plastic nails

Tap 2 plastic nails **N** into the bottom edge of each side **1** and **2** as shown.



Assembly Instructions

Step 21

Fit the back

a: Square up the unit by making sure that measurement **x** to **x** equals **y** to **y**.

b: Place the back **12** onto the unit.

Note: The gaps either side are for cable management.

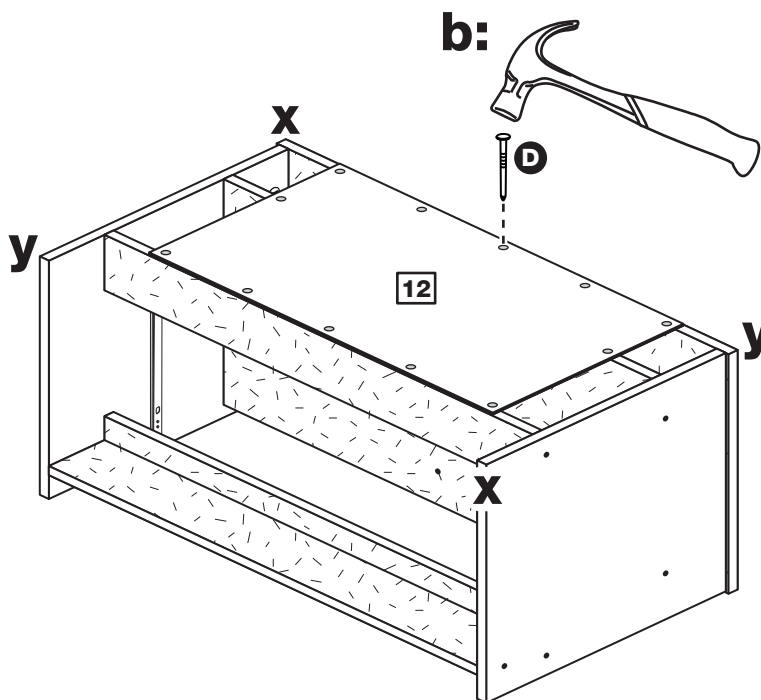
Nail **D** the back **12** onto the back edges of the unit as shown.

Stand the unit up for the next step.



Warning: The unit is heavy. Lift with care.

a: The measurement from top corner X to bottom corner X must be equal to the measurement from top corner Y to bottom corner Y



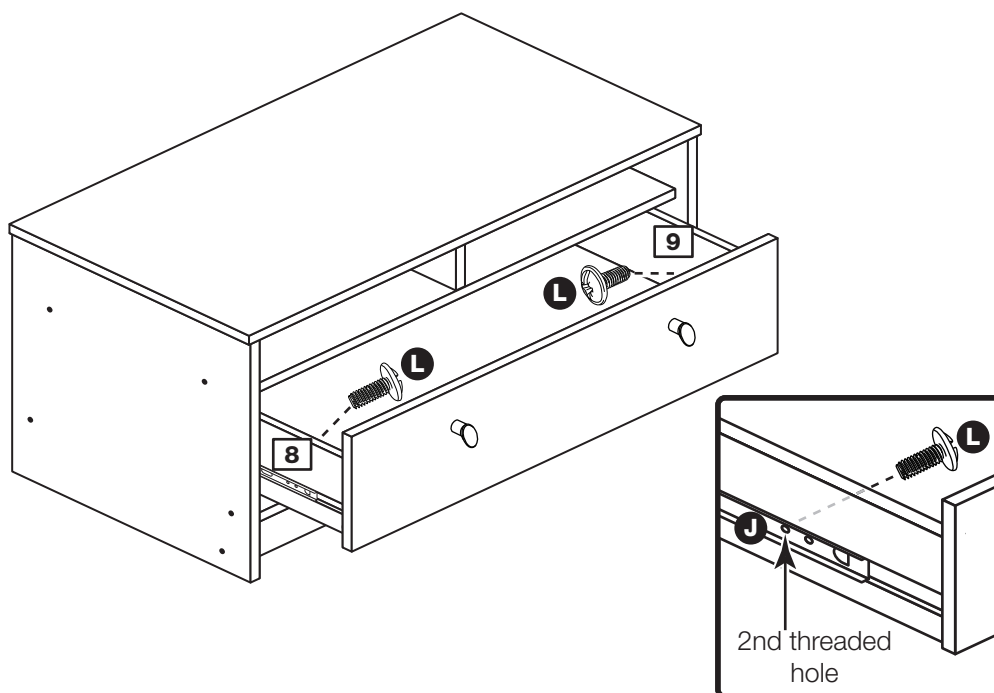
Step 22

Fit the drawers

Starting with the bottom drawer, slide both the runners **J** forward and locate the drawer sides **8** and **9** between them, lining up the holes in the drawer wrap with the 2nd 'threaded' holes in the runners **J**.

Working from the inside of the drawer, insert 2 screws **L** through the drawer sides and out into the 2nd threaded hole in the runner.

Assembly is complete



Note: Do not overtighten the screws. If they catch on the runner you may need to loosen them slightly.

If you need help or have damaged or missing parts, call the **Customer Helpline: 08456 400800** and quote the reference numbers on the component pages.

Argos Ltd, 489-499 Avebury Boulevard, Central Milton Keynes, MK9 2NW