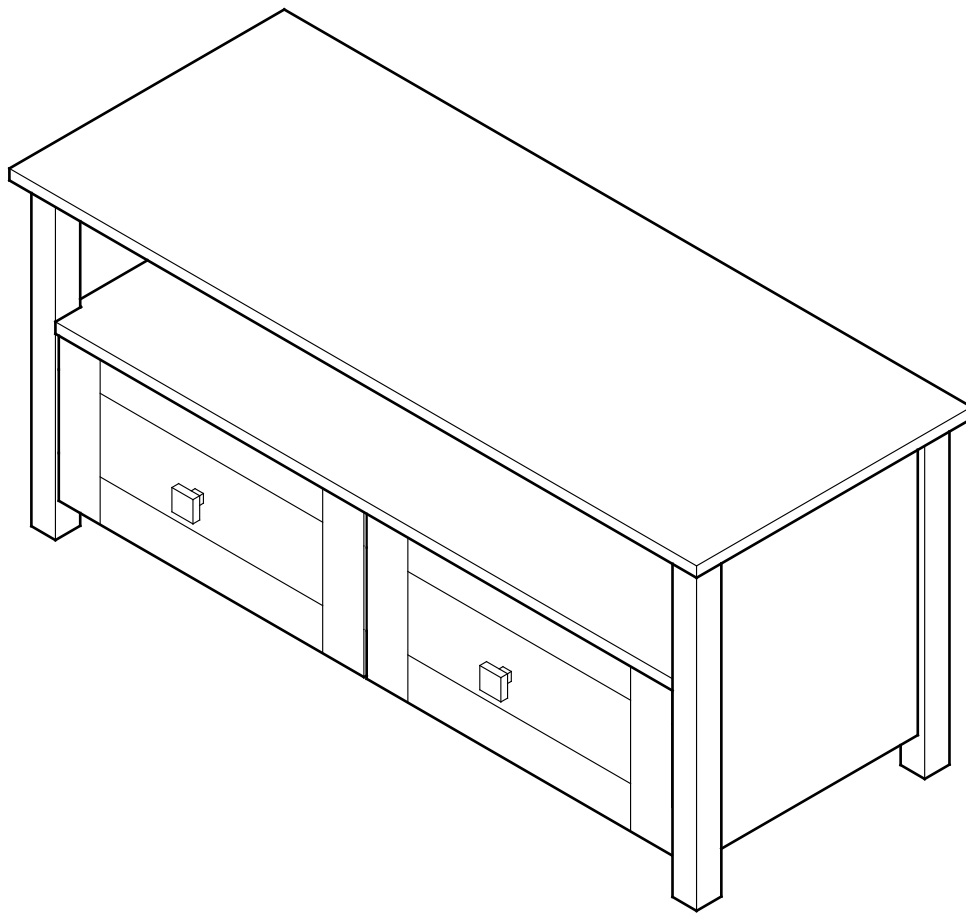


Two Drawer TV Unit

Assembly Instructions - Please keep for future reference

237/9430



Dimensions

Width - 100cm

Depth - 40cm

Height - 45cm

Important – Please read these instructions fully before starting assembly

If you need help or have damaged or missing parts, call the Customer Helpline: 08456 400800



Safety and Care Advice

Important – Please read these instructions fully before starting assembly

- Check you have all the components and tools listed on pages 2 and 3.
- Remove all fittings from the plastic bags and separate them into their groups.
- Keep children and animals away from the work area, small parts could choke if swallowed.
- Make sure you have enough space to layout the parts before starting.

- Do not stand or put weight on the product, this could cause damage.
- Assemble the item as close to its final position (in the same room) as possible.
- Assemble on a soft level surface to avoid damaging the unit or your floor.
- Parts of the assembly will be easier with 2 people.



- We do not recommend the use of power drill/drivers for inserting screws, as this could damage the unit. Only use hand screwdrivers.
- Dispose of all packaging carefully and responsibly.

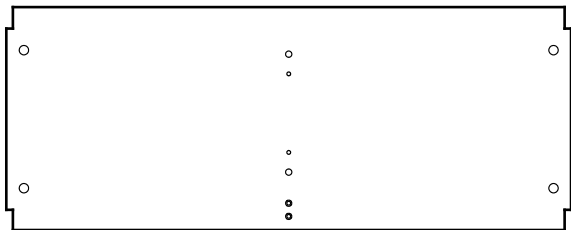
Care and maintenance

- Only clean using a damp cloth and mild detergent, do not use bleach or abrasive cleaners.
- From time to time check that there are no loose screws on this unit.
- This product should not be discarded with household waste. Take to your local authority waste disposal centre.

Note: if required the next page can be cut out and used as reference throughout the assembly. Keep this page with these instructions for future reference.

Components - Panels

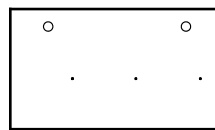
Please check you have all the panels listed below



1 Shelf (918 x 362mm)



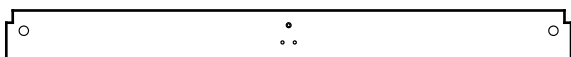
2 Support panel (160 x 70mm)



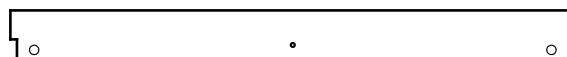
3 Divider (347 x 195mm)



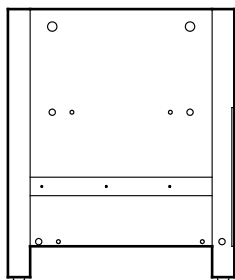
4 Foot (36 x 36mm)



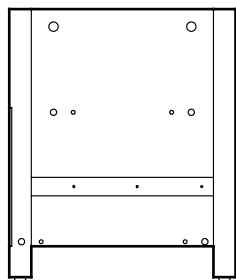
5 Front rail (918 x 80mm)



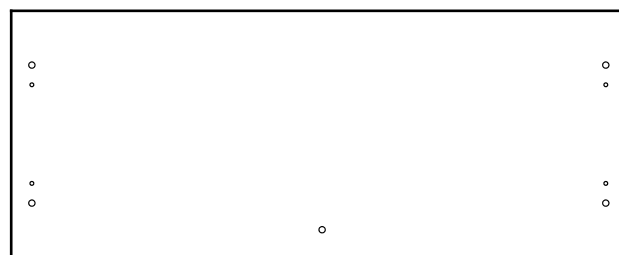
6 Rear rail (918 x 80mm)



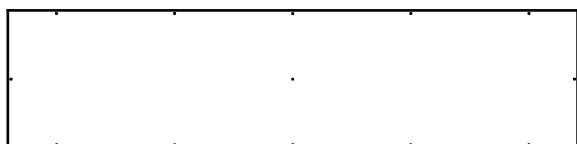
7 Left side panel (435 x 368mm)



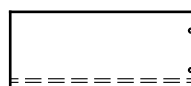
8 Right side panel (435 x 368mm)



9 Top panel (1000 x 400mm)



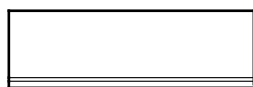
10 Back panel (924 x 223mm)



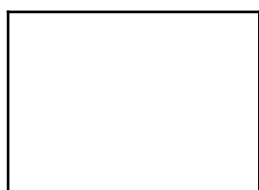
11 Drawer left side panel x 2 (300 x 125mm)



12 Drawer right side panel x 2 (300 x 125mm)

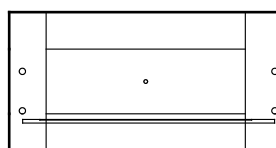


13 Drawer back panel x 2 (397 x 125mm)

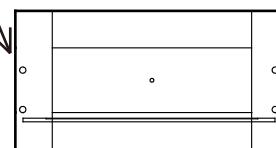


14 Drawer base x 2 (407 x 297mm)

Note: Holes are nearer to edge.



15 Left drawer front (444 x 207mm)



16 Right drawer front (444 x 207mm)

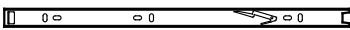
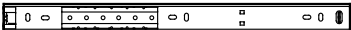


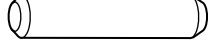

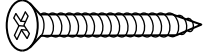

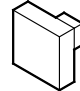



Components - Fittings

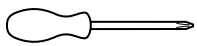
If you have damaged or missing components, call the **Customer Helpline: 08456 400800**

Please check you have all the fittings listed below

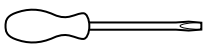
Note: The quantities below are the correct amount to complete the assembly. In some cases more fittings may be supplied than are required.

| | | |
|--|--|--|
| <p>A  Runner inner piece x 4</p> | <p>B  Runner outer piece x 4</p> | <p>C  12mm Screw x 37</p> |
| <p>D  Metal dowel x 23</p> | <p>E  Wood dowel x 20</p> | <p>F  Large metal cam x 15</p> |
| <p>G  35mm Screw x 14</p> | <p>H  Small metal cam x 8</p> | <p>I  Handle x 2</p> |
| <p>J  Bolt x 2</p> | | |

Tools required

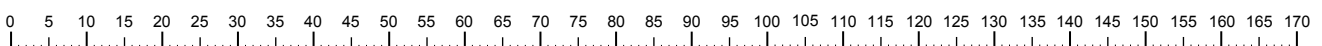


Phillips screwdriver
(medium & large)



Flatblade screwdriver
(medium)

Ruler - Use this ruler to help correctly identify the screws

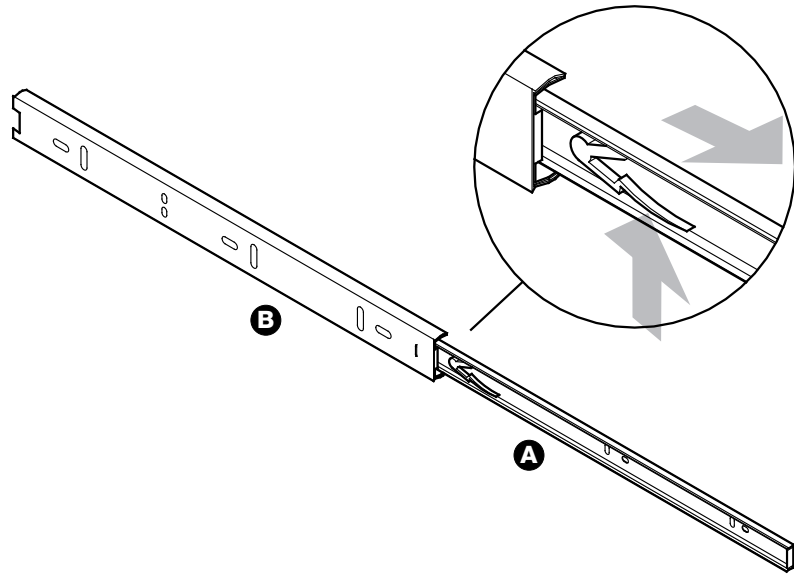


Assembly Instructions

Step 1

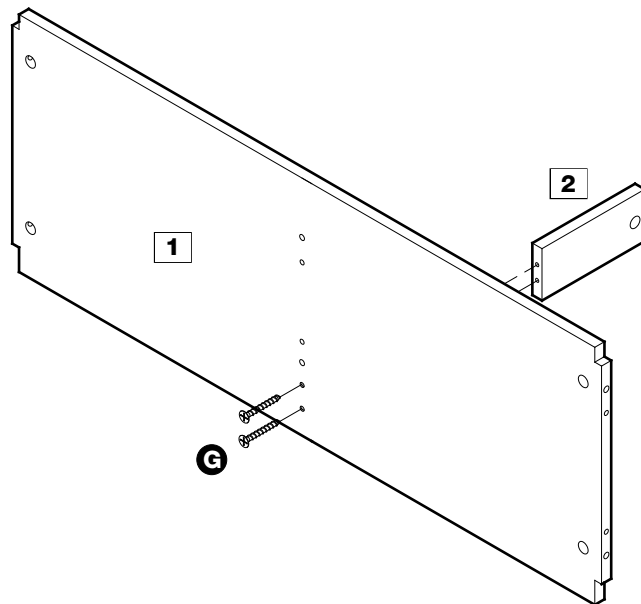
Dis-assemble Runners

To disassemble the runners pull out the inner piece of runners, to separate the Inner piece **A** and the Outer piece **B**, push and hold the tab and then pull completely out as shown.



Step 2

Screw Support panel **2** to Shelf **1** using 2 Screws **G** as shown.



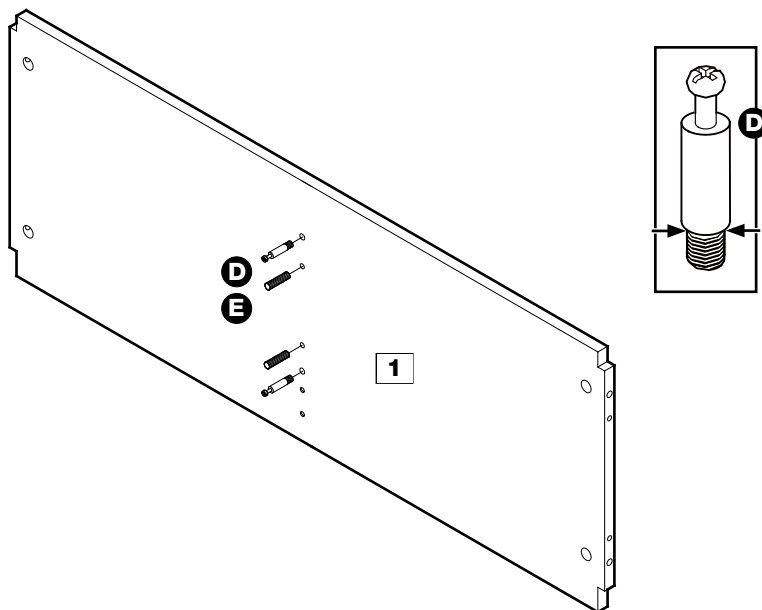
Assembly Instructions

Step 3

Screw metal dowels **D** into Shelf **1** as shown.

Note: Insert metal dowels as far as shown. **Do not over tighten.**

Firmly push wood dowels **E** into indicated holes.

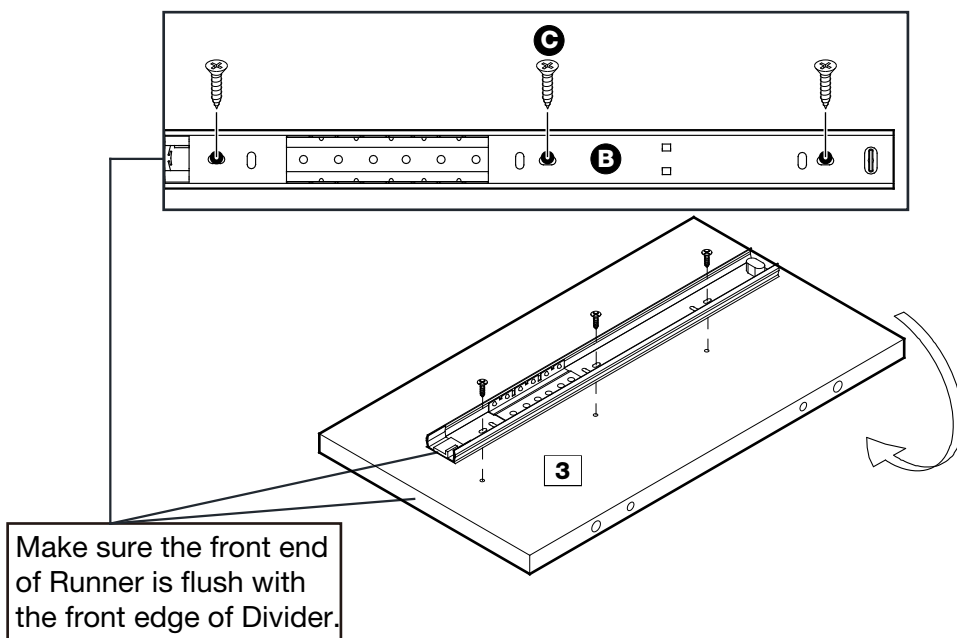


Step 4

Position Runner outer piece **B** onto Divider **3** and fix through the indicated holes shown using Screws **C**.

Note: Make sure the front end of Runner is flush with the front edge of Divider.

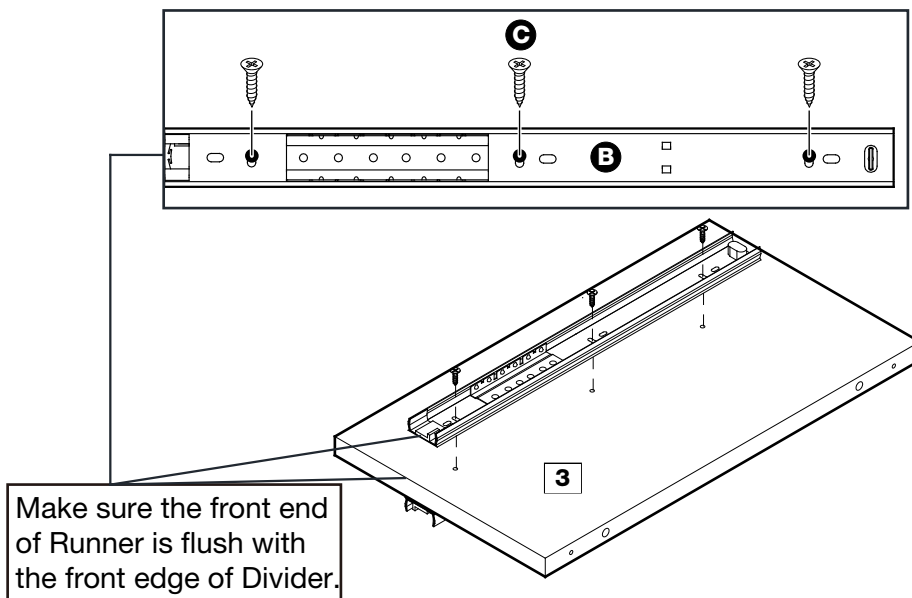
Turn over the Divider.



Step 5

Position Runner outer piece **B** onto Divider **3** and fix through the indicated holes shown using Screws **C**.

Note: Make sure the front end of Runner is flush with the front edge of Divider.



Assembly Instructions

Step 6

Firmly push Divider **3** onto Shelf **1**, make sure the wood and metal dowels enter corresponding holes.

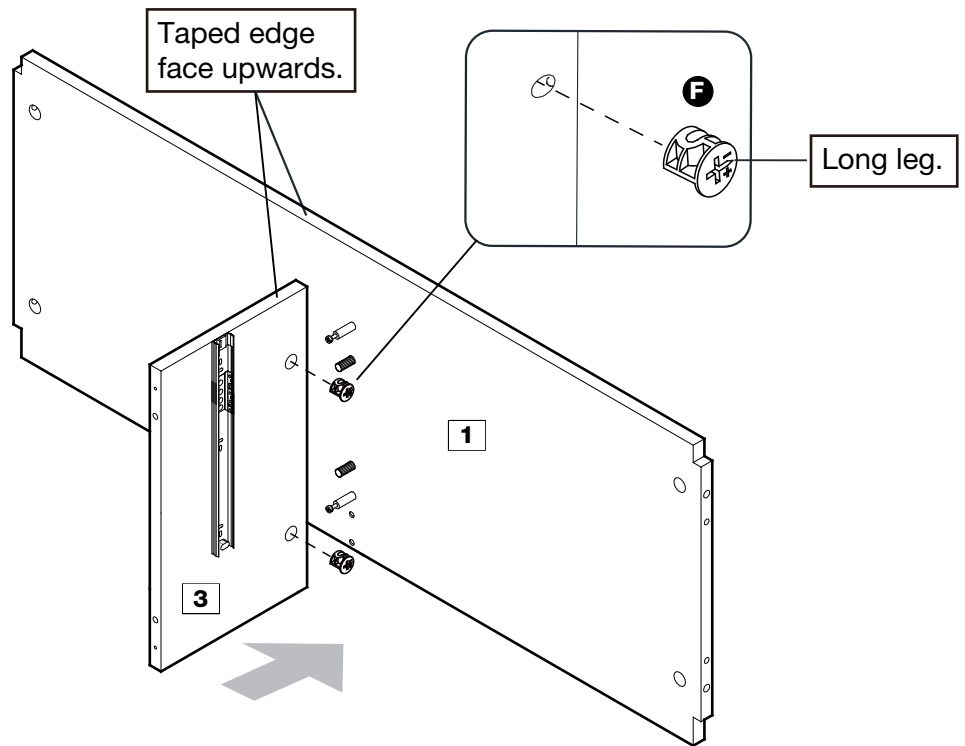
Insert Large metal Cams **F** into the holes on Divider so that they are flush.



Note: Longer leg of the cross on the Metal Cams must face towards end of panel (as shown).

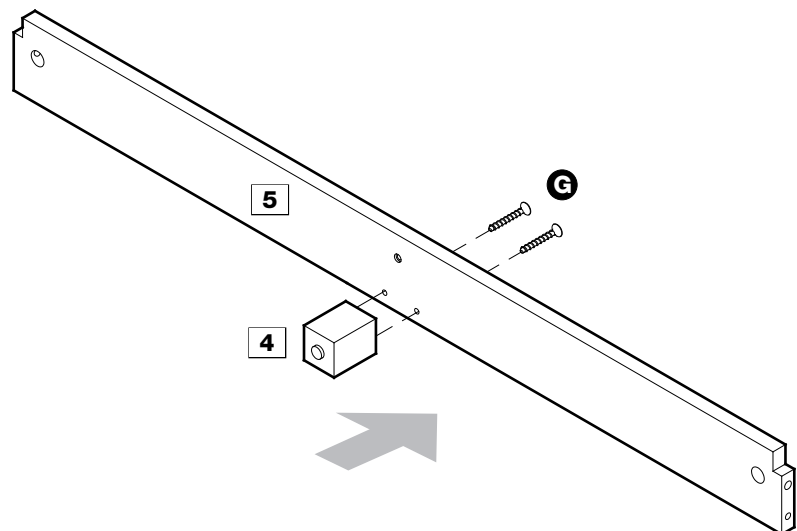
Then, using a Philips Screwdriver, screw all Metal Cams **F** clockwise until they are 'hand tight'.

Note: Tighten all cams in this way.



Step 7

Screw Foot **4** to Front rail **5** using 2 Screws **G** as shown.



Assembly Instructions

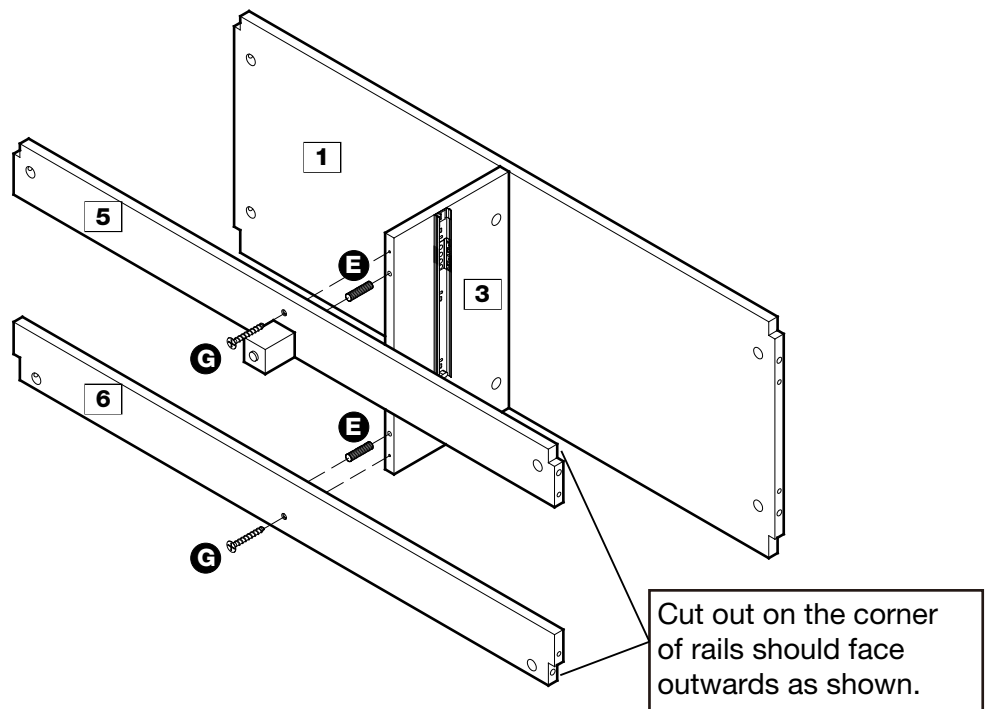
Step 8

Firmly push wood dowels **E** into the indicated holes in Divider **3**.

Firmly push Front and Rear rails **5** **6** onto the dowels on Divider, make sure the dowels enter corresponding holes.

Secure with Screws **G**.

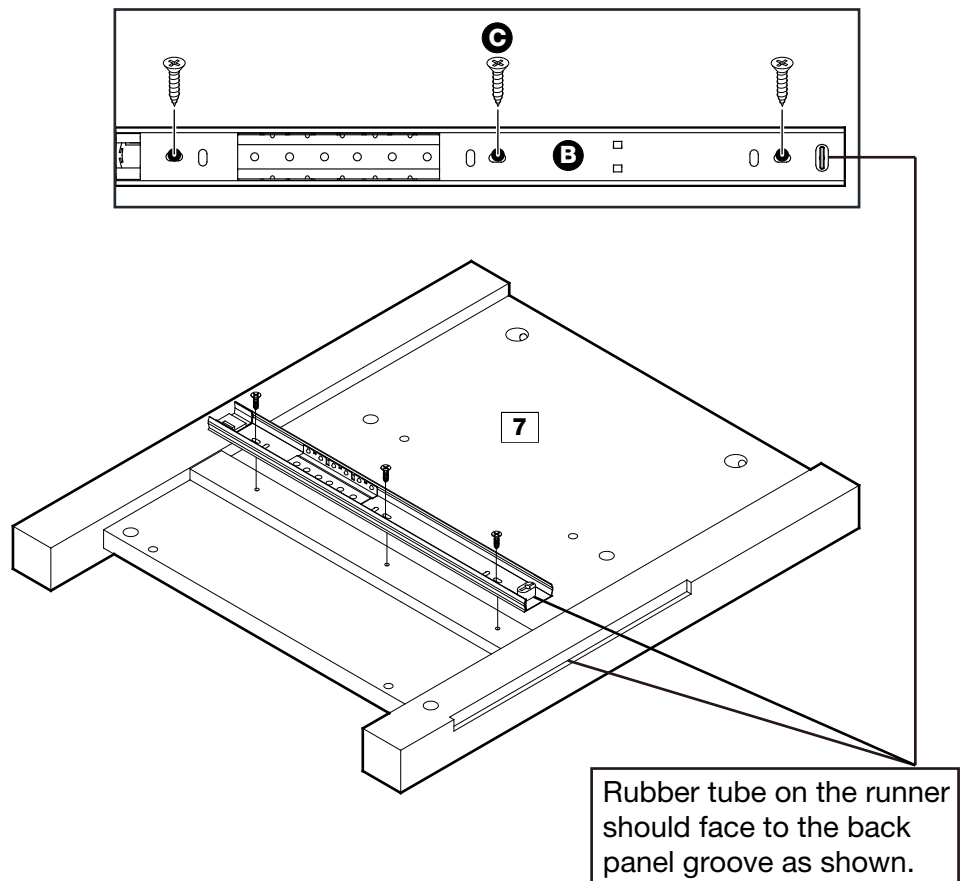
Note: Cut out on the corner of rails should face outwards as shown.



Step 9

Position Runner outer piece **A** onto Left side panel **7** and fix through the indicated holes shown using Screws **C**.

Note: Rubber tube on the runner should face to the back panel groove as shown.

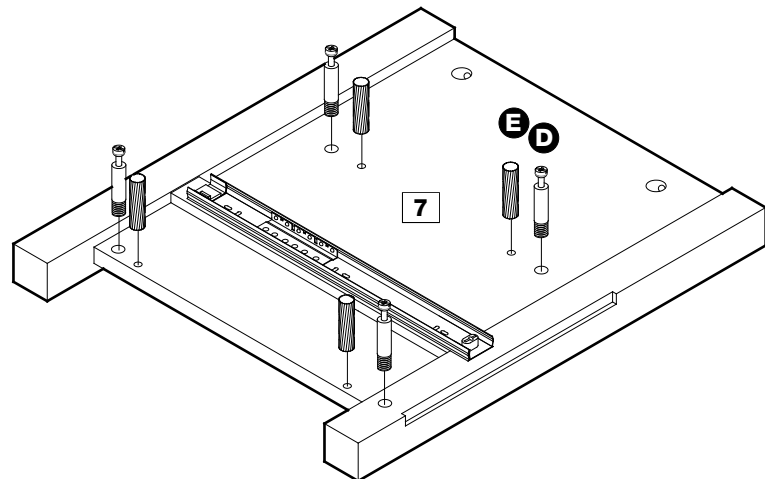


Assembly Instructions

Step 10

Screw metal dowels **D** into Left side panel **7** as shown.

Firmly push wood dowels **E** into indicated holes.

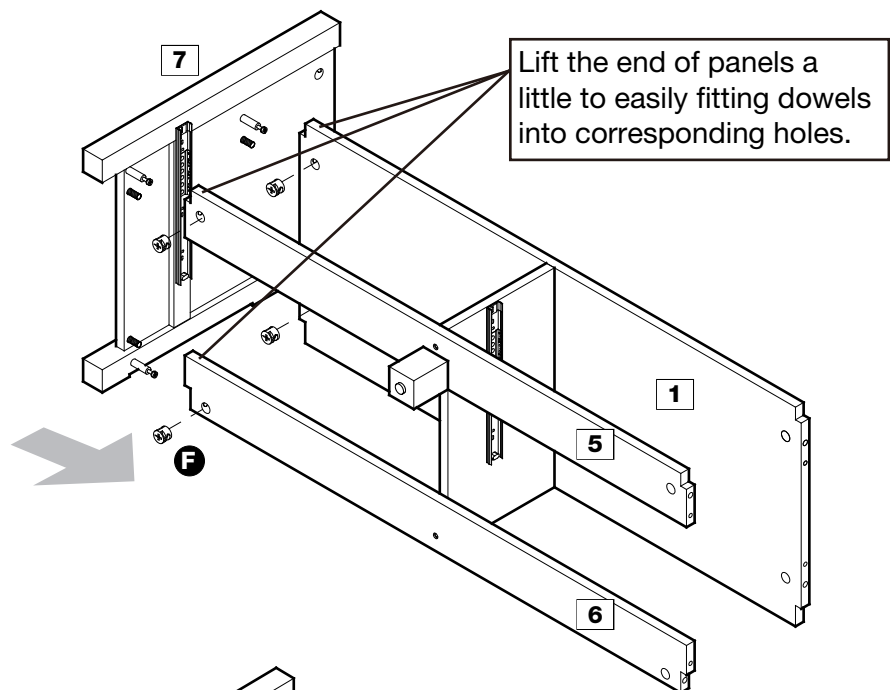


Step 11

Two people may be needed here.

Firmly push Left side panel **7** onto the end of Shelf **1**, Front and Rear rails **5** **6**, make sure the wood and metal dowels enter corresponding holes.

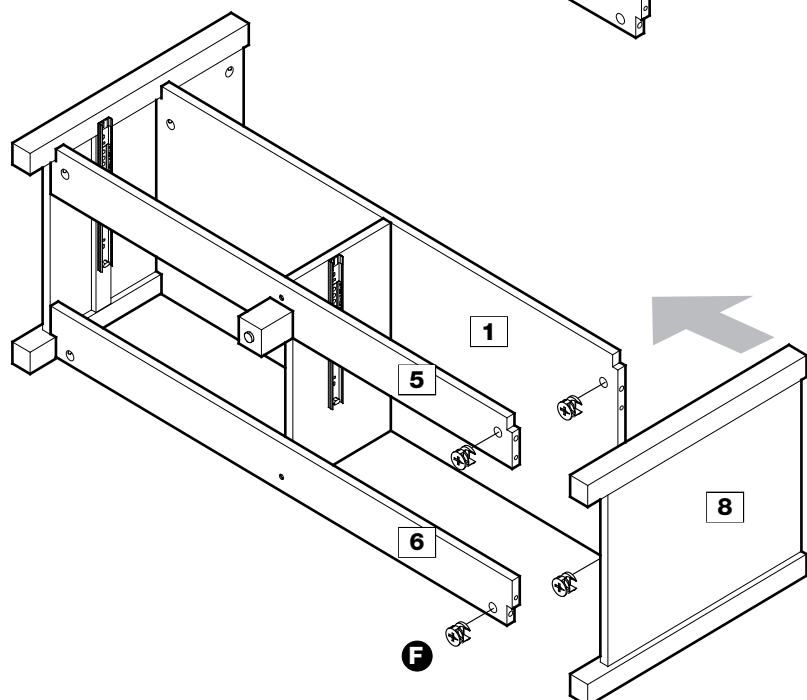
Secure with Cams **F**.



Step 12

Repeat Steps 9 to 11 to assemble Right side panel **8** as shown.

Stand unit upright.

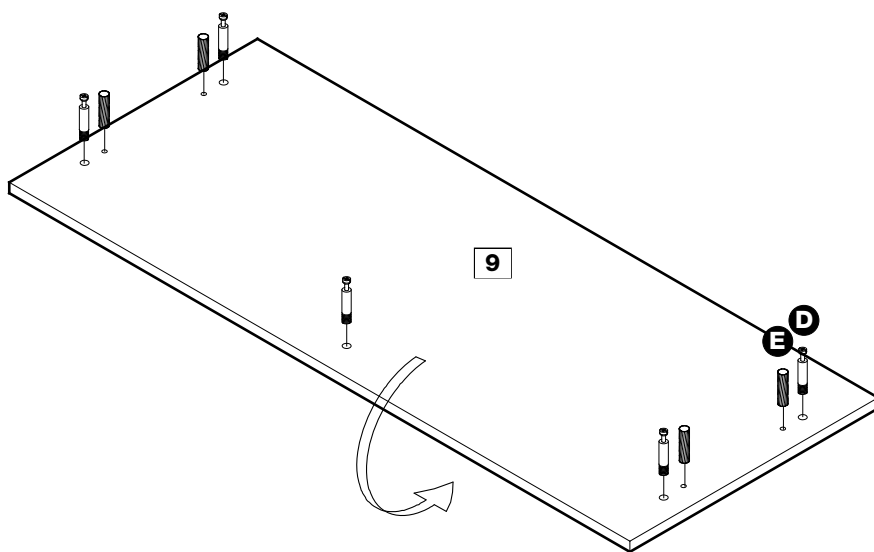


Assembly Instructions

Step 13

Screw metal dowels **D** into Top panel **9** as shown.

Firmly push wood dowels **E** into indicated holes.



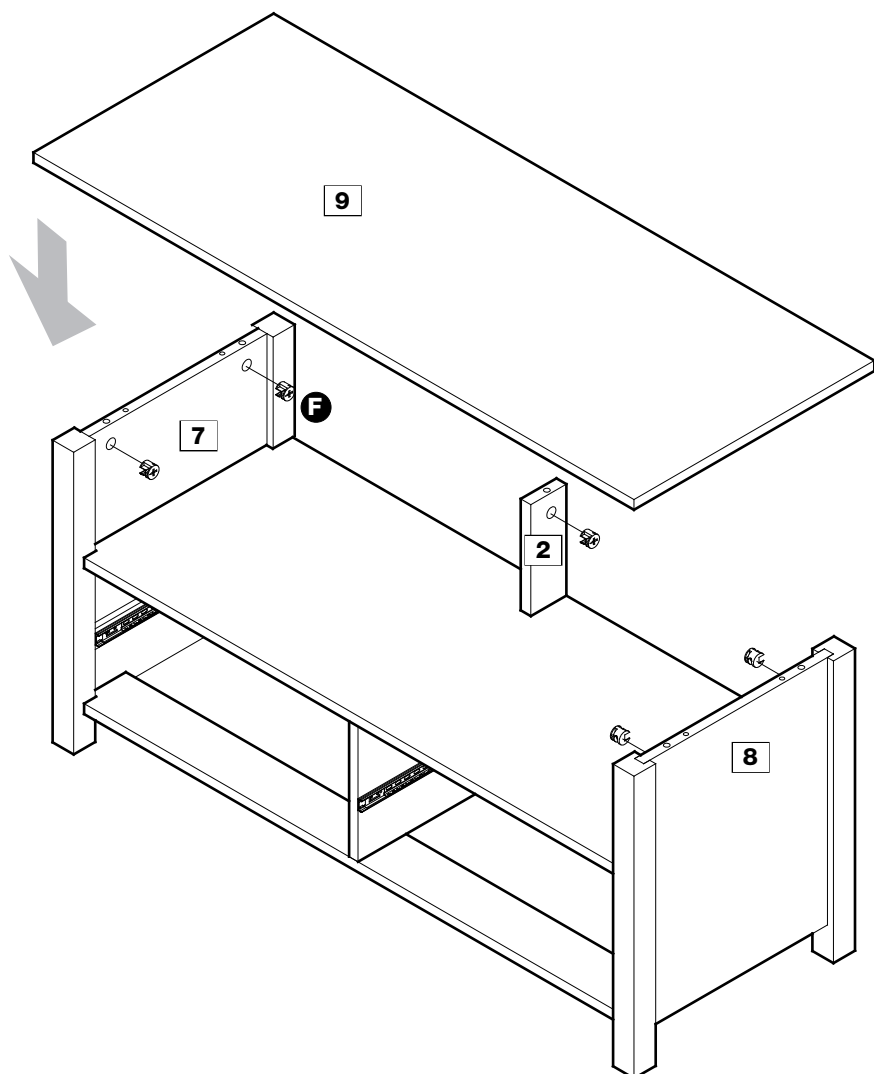
Step 14

Two people may be needed here.

Turn over the Top panel.

Firmly push Top panel **9** onto Side panels **7** **8** and support panel **2**, make sure the wood and metal dowels enter corresponding holes.

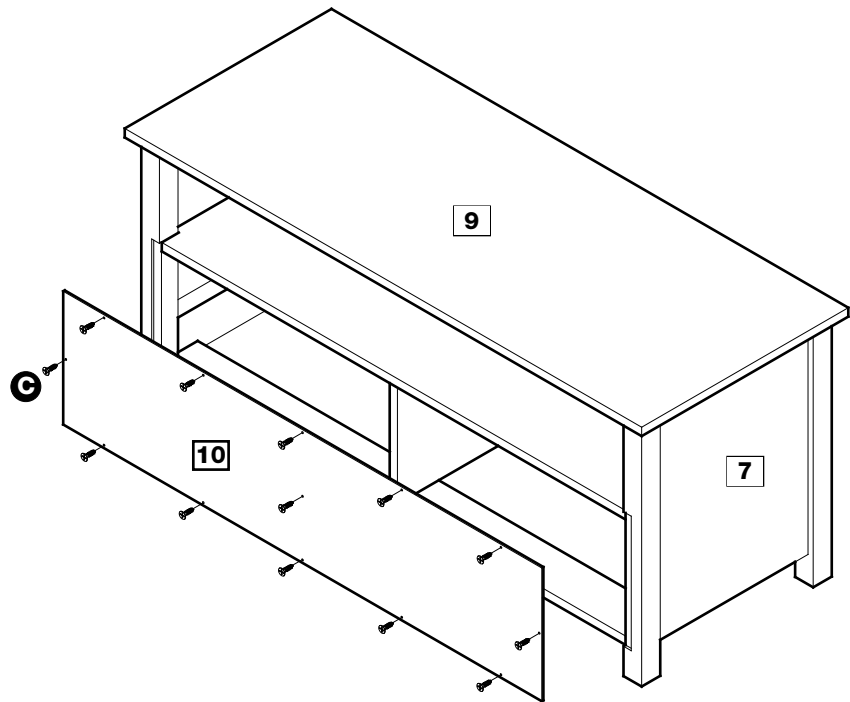
Secure with Metal cams **F**.



Assembly Instructions

Step 15

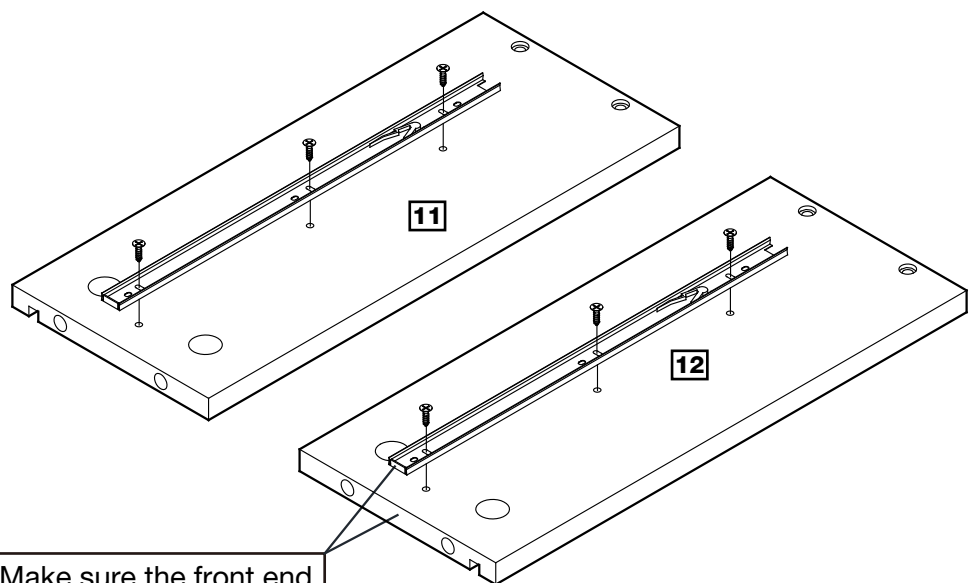
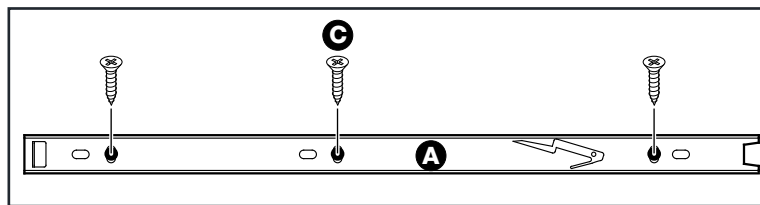
Attach back panel **10** to back of the unit using Screws **C**.



Step 16

Position Runner inner piece **A** onto Drawer side panels **11** **12** and fix through the indicated holes shown using Screws **C**.

Note: Make sure the front end of Runner is flush with the front edge of drawer side as shown.



Make sure the front end of Runner is flush with the front edge of drawer side.

Assembly Instructions

Step 17

Drawer assembly

a: Firmly push wood dowels **E** into the indicated holes in Drawer back panel **13**.

Fix drawer sides **11** **12** to Drawer back panel **13** using screws **G**.

b: Slide Drawer base **14** into the grooves as shown.

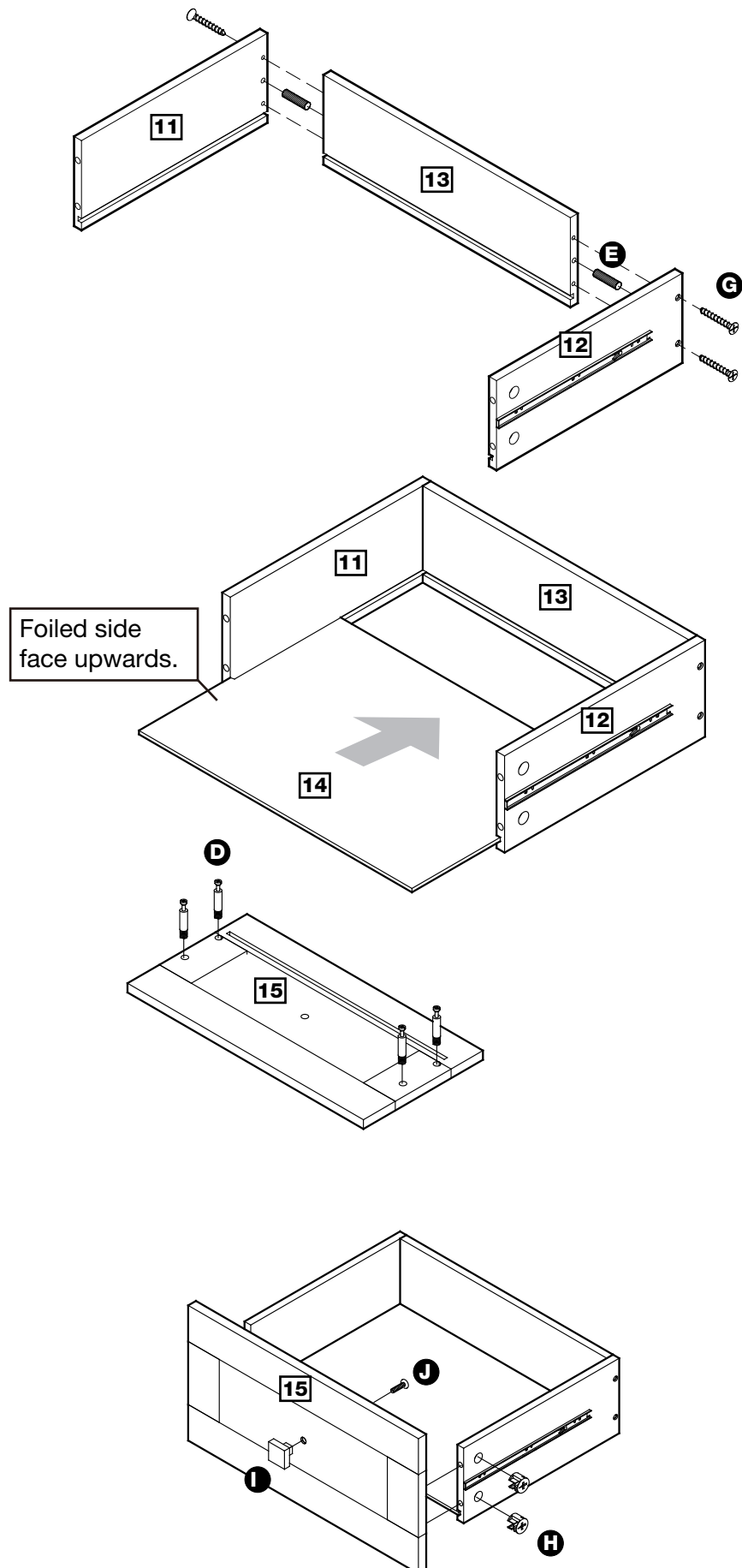
c: Screw Metal dowels **D** into holes on back of Drawer front **15**.

d: Position drawer front against end of drawer sides and firmly push to make sure the Drawer base enters the groove in Drawer front.

Secure with Small metal cams **H**.

e: Attach Handle **I** to the Drawer front using Bolt **J**.

Repeat Step 17 to assemble the other drawer with Drawer front **16**.



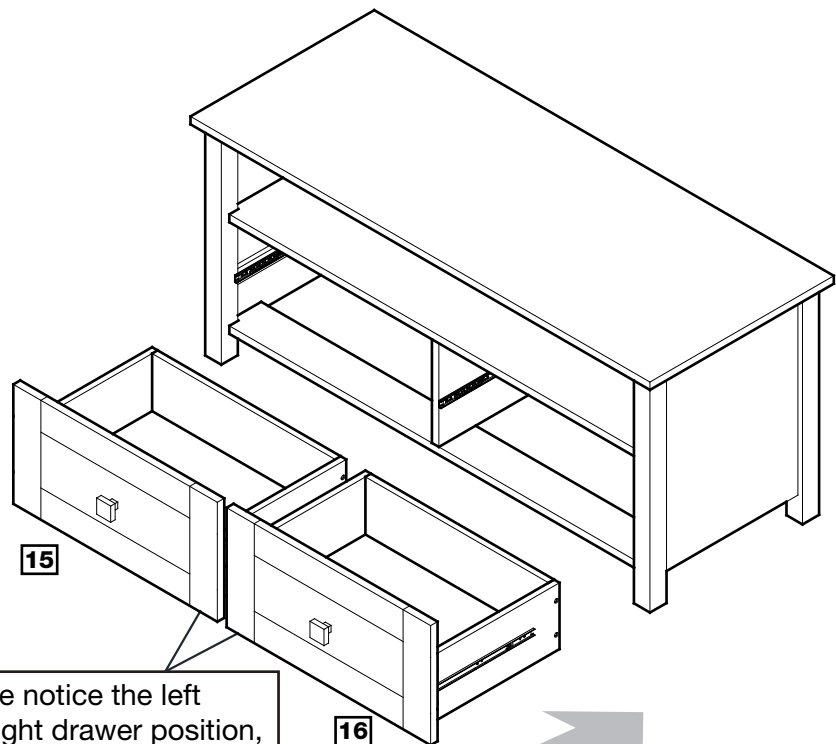
Assembly Instructions

Step 18

Slide Drawer into the space as shown, make sure the Runner inner piece enters the Runner outer piece on both side.



Note: Please notice the left and right drawer position, do not reverse.

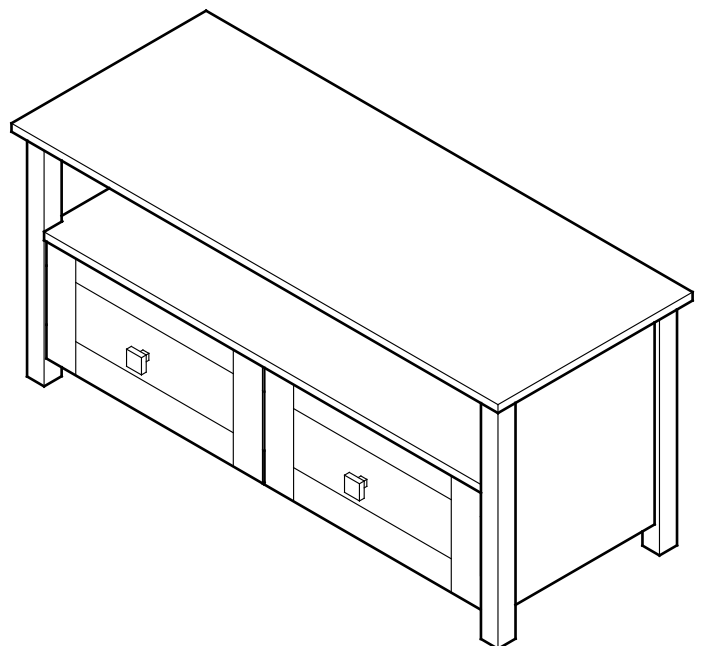


Two people may be needed here.

In case of reversed drawers

If you reversed the drawers, please take Step 1 as a reference, using the screwdriver to push the tab on drawer left side upwards and keep pulling out status, the other person push the tab on right side panel downwards and pull out so that the whole drawer can pull out from the space.

Assembly is complete.



If you need help or have damaged or missing parts, call the **Customer Helpline: 08456 400800**
Shaw Spencer Hometrading Ltd. 34-38 Vale Road, Bushey. WD23 2HE.