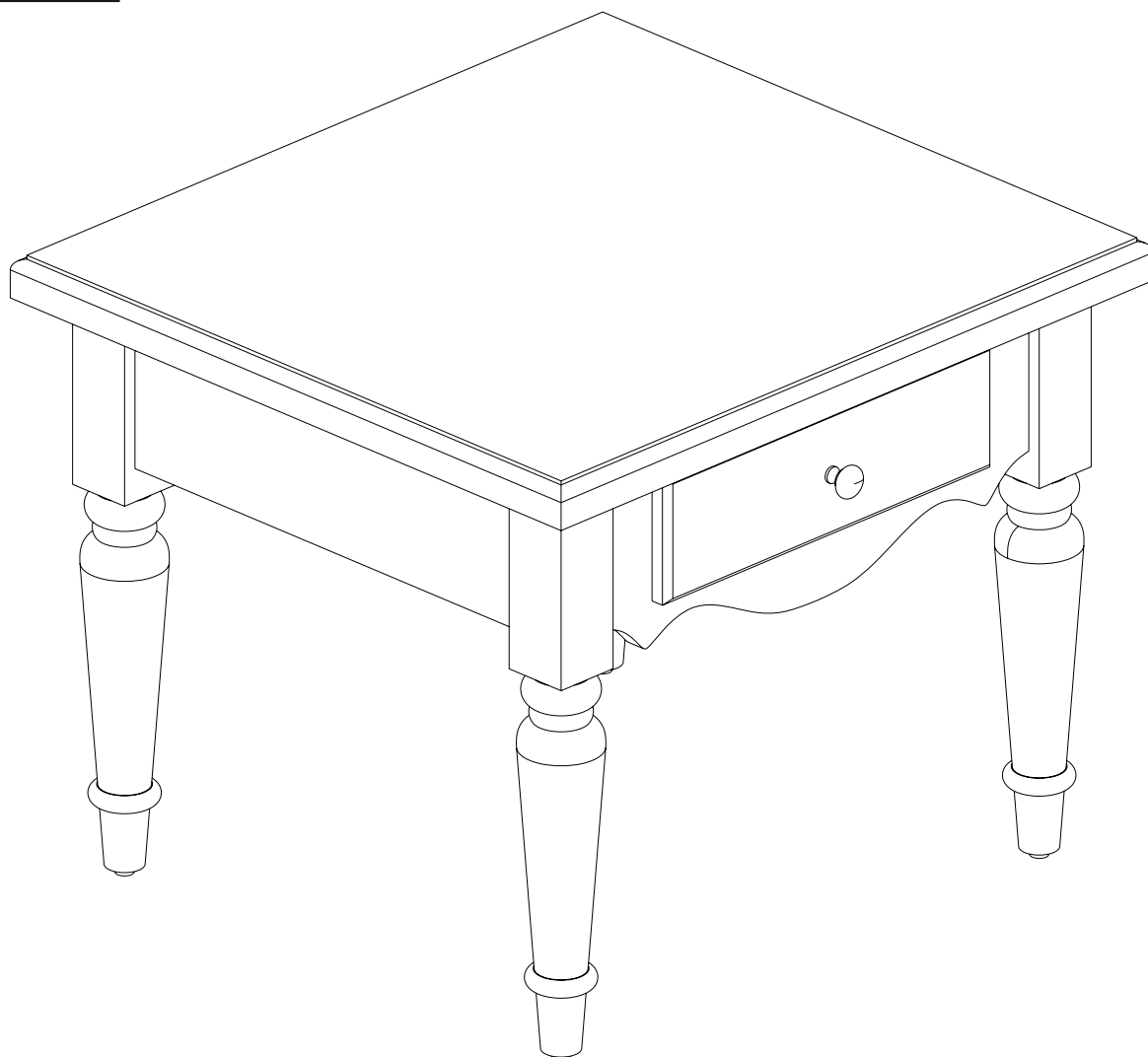


# Elsanne end table

Assembly Instructions - Please keep for future reference

237/8606



## Dimensions

Width - 57cm

Depth - 53cm

Height - 45cm

**Important** - Please read these instructions fully before starting assembly

If you need help or have damaged or missing parts, call the **Customer Helpline: 0345 6400 800**



# Safety and Care Advice

**Important** - Please read these instructions fully before starting assembly

- Keep these instructions for future use.
- Check you have all the components and tools listed on page 2 and 3.
- Do not stand or put excessive weight on the product, this could cause damage.
- Parts of the assembly will be easier with 2 people.
- Do not use this item if any components are missing or damaged.
- During assembly children should be kept away from the product due to possible risk of injury.
- Remove all fittings from the plastic bags and separate them into their groups.
- Dispose of all packaging carefully and responsibly.
- To ensure an easier assembly, we strongly advise that all fittings are only finger tightened during initial assembly. Only upon completion of the assembly should all fixing points be fully tightened.

## Solid wood / Real wood veneers

- This product has been finished using natural materials. As a living material, you may notice some variation in the grain and colour shade between the different components.
- Unlike a synthetic or man-made material which has a uniform finish, a feature of natural wood is its variation in grain and colour. We wish to reassure you that this is quite normal and is not the result of any manufacturing fault.
- Where sheets of wood are joined together, a line may be detected. Again, this is normal and is not an imperfection.
- The natural finish should be cared for by the periodic application of a good quality 'wax' based domestic furniture polish (Not silicone!!). Occasional / small spills should be removed immediately using a damp cloth.
- Do not allow hot articles to come into contact with the surface, as damage will occur!

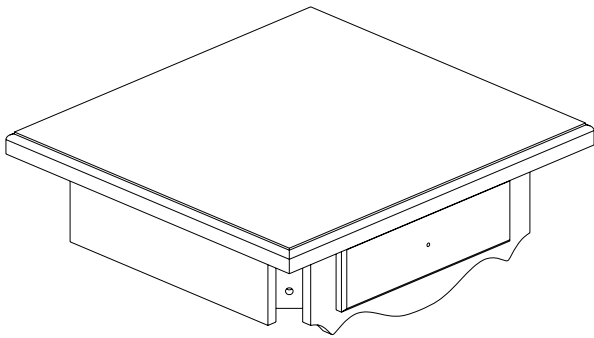
## Care and maintenance

- Clean using a damp cloth or a proprietary domestic furniture polish. Do not use abrasive cleaners.
- This product should not be discarded with household waste. Take to your local authority waste disposal only.
- From time to time check that there are no loose screws on this unit.

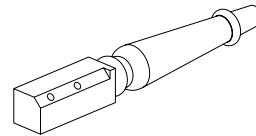
# Components - Parts

If you have damaged or missing components,  
call the **Customer Helpline: 0345 6400 800**

Please check you have all the parts listed below



**1** Table top (57 × 53 × 3.2 cm)



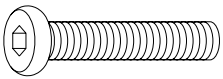
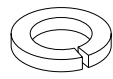

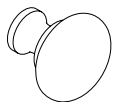

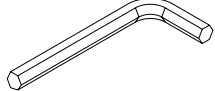
**2** Leg x 4 (50 x 5 × 5cm)

# Components - Fittings

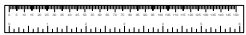
If you have damaged or missing components, call the **Customer Helpline: 0345 6400 800**

Please check you have all the fittings listed below

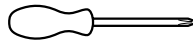
**Note:** The quantities below are the correct amount to complete the assembly. In some cases more fittings may be supplied than are required.

<p><b>A</b></p>  <p>1/4" x 1 1/2" Allen screw x 8</p>	<p><b>B</b></p>  <p>Spring washer x 8</p>	<p><b>C</b></p>  <p>Plain washer x 8</p>
<p><b>D</b></p>  <p>Drawer handle x 1</p>	<p><b>E</b></p>  <p>5/32" x 5/8" screw x 1</p>	<p><b>F</b></p>  <p>Allen key x 1</p>

## Tools required

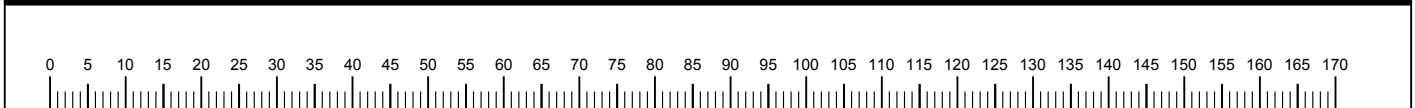


Ruler/tape measure



Phillips screwdriver (medium & large)

## Ruler - Use this ruler to help correctly identify the screws



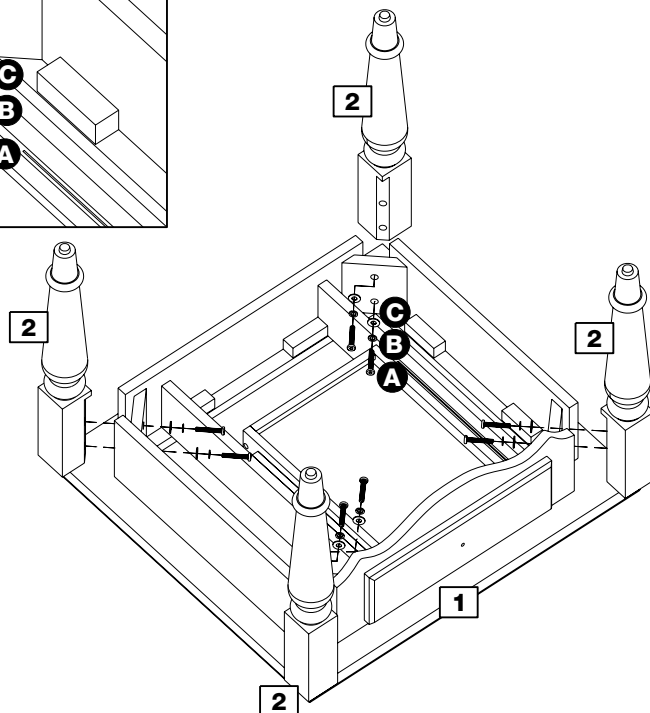
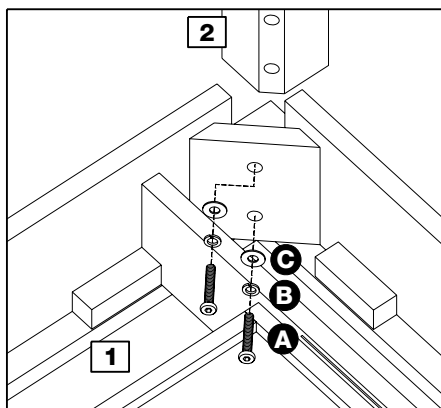
# Assembly Instructions

## Step 1

### Attaching legs

Place table top **1** upside down onto a clean flat surface.

Assemble legs **2** to table top **1** using fixings **A**, **B** and **C**.

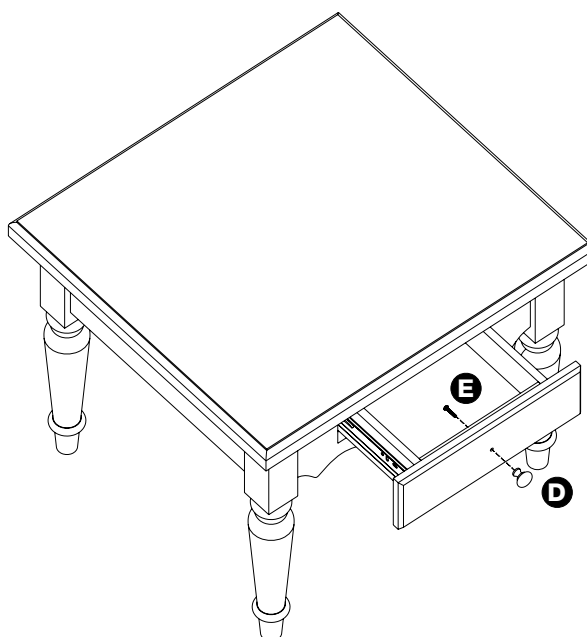


## Step 2

### Assembling drawer

Turn the table upright.

Assemble drawer handle **D** using screw **E**.



**Assembly is complete.**

If you need help or have damaged or missing parts, call the **Customer Helpline: 0345 6400 800**  
Home Retail Group, 489-499 Avebury Boulevard, Saxon Gate West, Central Milton Keynes, MK9 2NW