

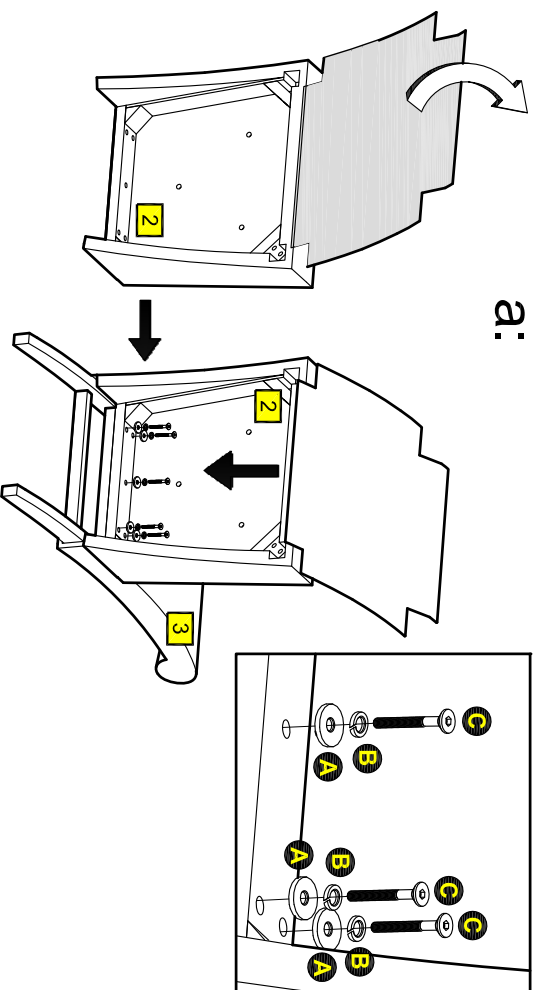
# Assembly Instructions

## Step 1

### Chairs assembly

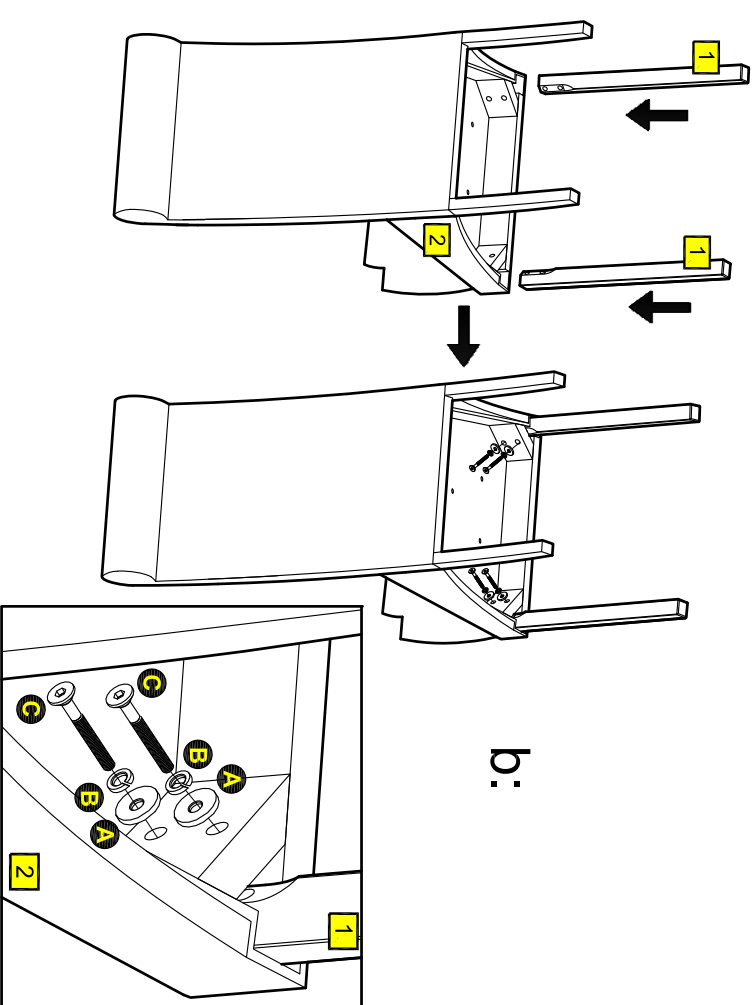
**a:** Open the underside of the padded Seat **2** as shown in the picture.

Fix the Seat **2** and the Backrest **3** with the 5 Bolts **C** through Washers **B** and **A**, using the allen key supplied.



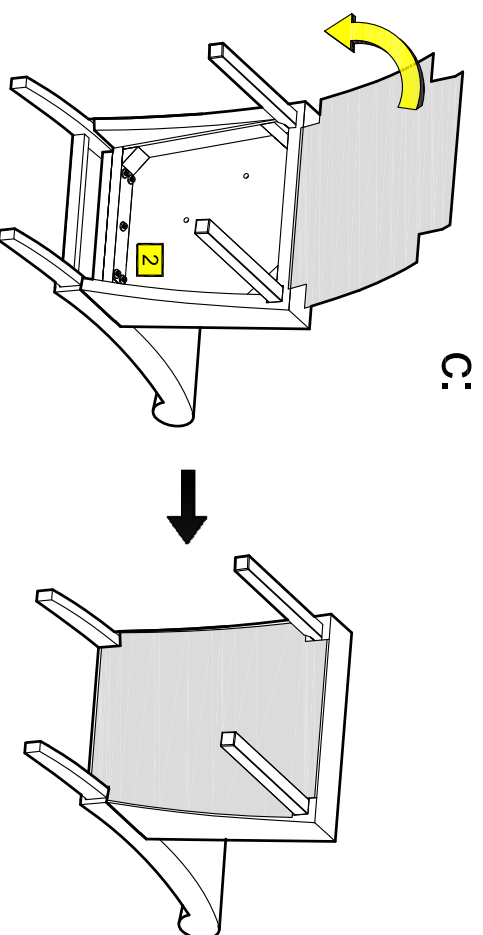
**b:** Insert the Leg **1** into the Seat **2**. Fix the leg with 2 Bolts **C** through Washers **B** and **A**, using the allen key supplied.

Repeat for the other leg.



**Note:** Do not tighten the bolts fully until all 4 legs are attached and the chair is tested on the floor to ensure it sits evenly. This will reduce the risk of the chair rocking.

**c:** Close the bottom of the seat **2** as shown in picture.



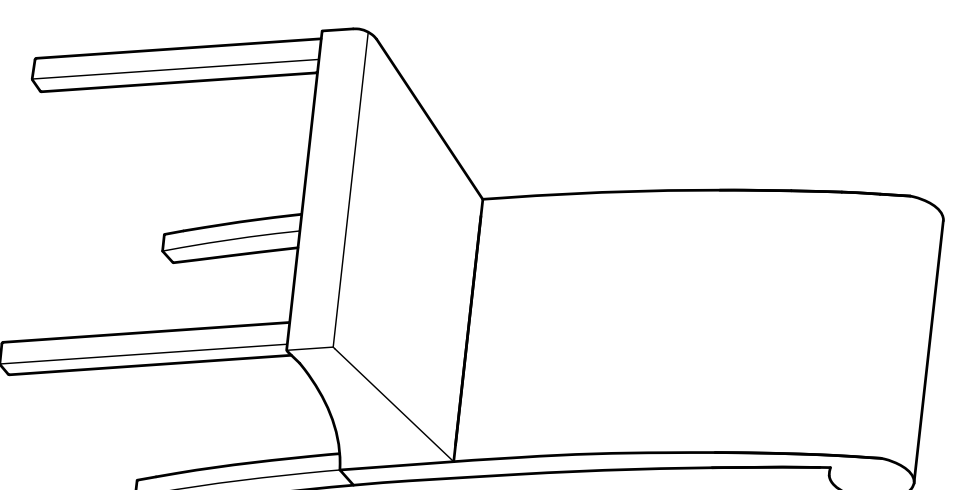
**Assembly is complete.**

# Pair of Scrollback Chairs

Assembly Instructions - Please keep for future reference

237/5960

247/8692



### Dimensions

Width - 45cm  
Depth - 61.5cm  
Height - 105cm

**Important - Please read these instructions fully before starting assembly**

If you need help or have damaged or missing parts, call the Customer Helpline:

Argos = 0345 640 3030

# ⚠ Safety and Care Advice

## Important - Please read these instructions fully before starting assembly

- We suggest you spend a short time reading through this leaflet and follow the simple step by step assembly instructions.
- Do not discard any of the packaging until you have checked that you have all the parts and the pack of fittings.
- Assemble this product on a flat surface.
- Assemble all parts loosely before tightening any bolts.
- Discard all extra fittings and keep fittings out of reach of children.
- Unit weight: 5kgs.
- Retain Assembly Instructions for future reference.
- To reduce the likelihood of damaging your product place ensure that your power drill is set on a low torque setting.



## Warnings

- This product should only be used on firm, level ground.
- Do not use any abrasive materials when cleaning.
- From time to time check that there are no loose bolts on this unit.

## Care and maintenance

### IMPORTANT MAINTENANCE AND CLEANING INFORMATION DO NOT REMOVE (CARING FOR YOUR PRODUCT)

Outlined below are general care instructions that will prolong the look and life by preventing wear and damage.

**PLEASE NOTE THAT THE MANUFACTURER IS NOT LIABLE FOR ANY DEFECTS CAUSED BY MISUSE, NON COMPLIANCE WITH THESE INSTRUCTIONS**

PU - PVC etc.

#### General Care Advice

- Dust regularly with a clean dry cloth.
- Wipe up any liquid spills immediately with a damp cloth and then dry the surface with a clean dry duster.
- Repeat this procedure for periodic cleaning.
- Solid spills (Butter, Food & Mud) - Remove excess with a blunt Knife before dabbing to clean stains.
- The use of furniture polish or spray is not necessary or recommended.

#### What Not To Do - Do Not Soak

- Never rub or scrub with a wet cloth to remove spills or stains as this could remove colour.
- Do not use washing up liquid, detergents, or bleach to remove stains.

#### Cleaning:

We recommend Professional Cleaning only for this product, to prevent excessive build-up of dirt and soiling.

#### Sunlight and Heat

- Direct sunlight or heat can cause fabrics to deteriorate or fade - Place your furniture out of the way of prolonged direct light.
- Reduce exposure by moving items around or changing position so that the same piece of area is not always exposed.
- Avoid placing furniture too close to fires or radiators

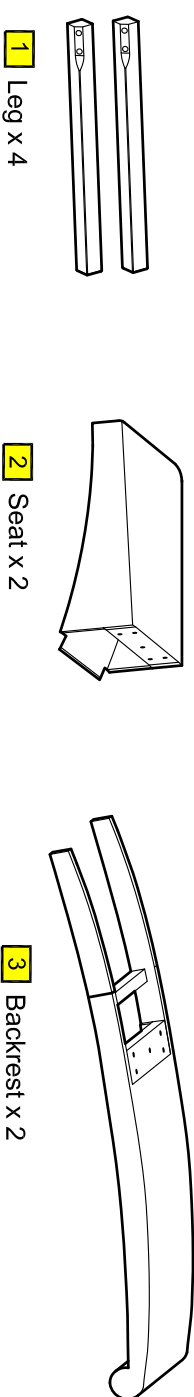
#### Beware of Sharp objects

Sharp objects such as buckles and jewellery can easily snag on the fabric and produce tears and marks in the fabric.

# Components - Parts

If you have damaged or missing components, call the Customer Helpline: **Argos = 0345 640 3030**

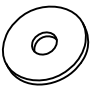


## Please check you have all the parts listed below



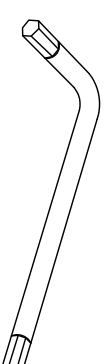
# Components - Fittings

## Please check you have all the parts listed below

**Note:** the quantities below are the correct amount to complete the assembly. In some cases more fittings may be supplied than are required.

<b>A</b>		<b>B</b>		<b>C</b>	
	M6x18 Plain Washer x 18		M6 Lock Washer x 18		M6x60mm Bolt x 18

## Please check you have all the parts listed below



4mm Allen key x 1 (Supplied)