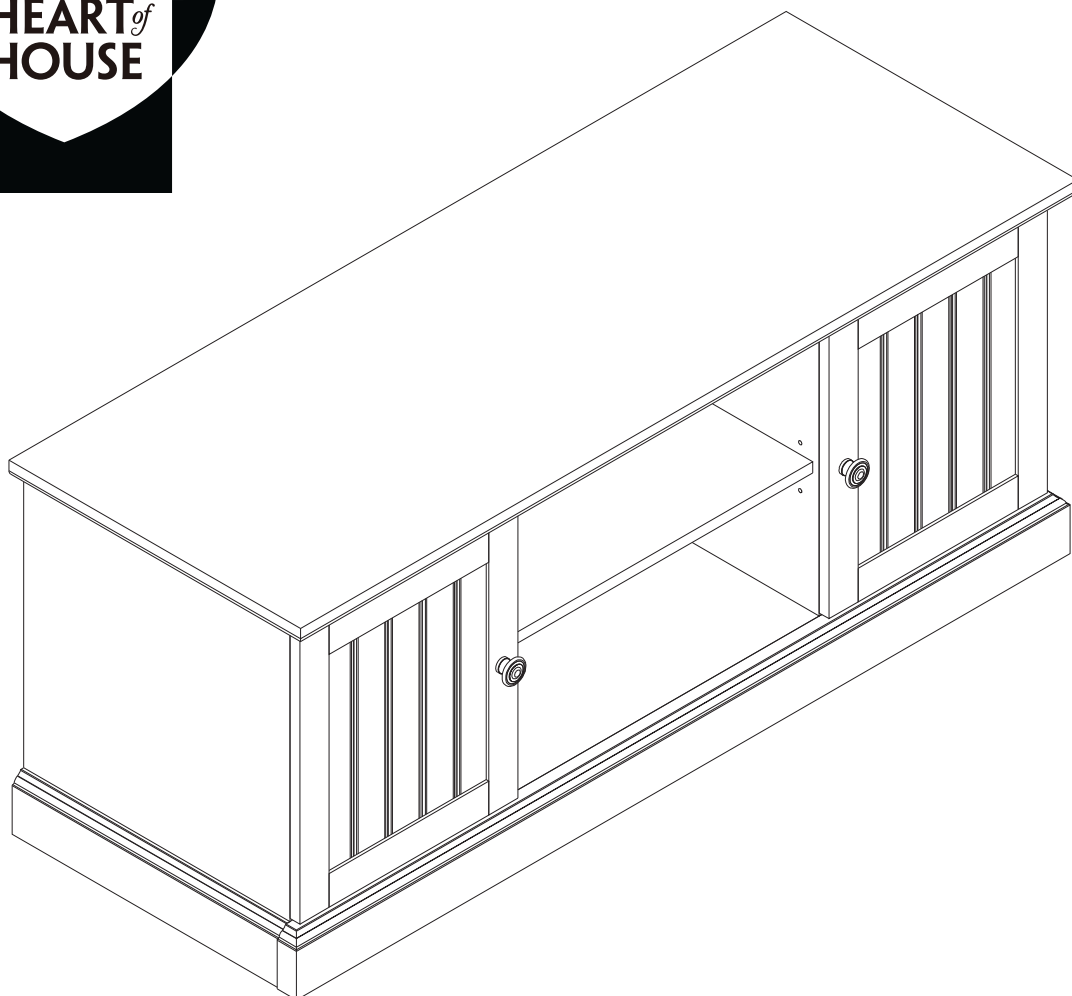


HOH Ellingham - TV stand

Assembly Instruction - Please keep for future reference

232/8728



Dimensions

Length - 120cm

Width - 45cm

Height - 50cm

Important - Please read these instruction fully before starting assembly

If you need help or have damaged or missing parts, call the Customer Helpline:

Argos = 0845 6400800



Safety and Care Advice

Important - Please read these instructions fully before starting assembly

- Check you have all the components and tools listed on pages 2 and 3.

- Remove all fittings from the plastic bags and separate them into their groups.

- Keep children and animals away from the work area, small parts could choke if swallowed.

- Make sure you have enough space to layout the parts before starting.

- Retain these instructions for future reference

- Do not stand or put weight on the product during assembly, this could cause damage.

- Assemble the item as close to its final position (in the same room) as possible.

- Assemble on a soft level surface to avoid damaging the unit or your floor.

- Parts of the assembly will be easier with 2 people.



- To reduce the likelihood of damaging your product please ensure that your power drill is set on a low torque setting.

Care and maintenance

- Only clean using a damp cloth and mild detergent, do not use bleach or abrasive cleaners.

- From time to time check that there are no loose screws on this unit.

- This product should not be discarded with household waste. Take to your local authority waste disposal centre.

Handy Hints

- Assemble all parts and bolts loosely during assembly, only once the product is complete should you fully tighten the bolts

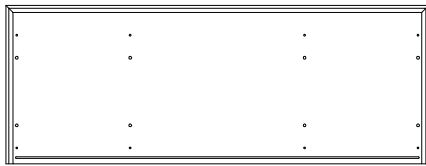
- Regularly check and ensure that all bolts and fittings are tightened properly.

Note: if required the next page can be cut out and used as reference throughout the assembly. Keep this page with these instructions for future reference.

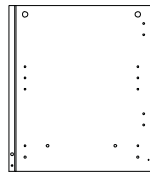
Components - Panels

If you have damaged or missing components, call the Customer Helpline: Argos = 0845 6400800

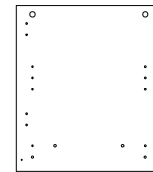
Please check you have all the panels listed below



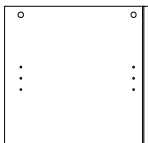
1 Top panel
(120x45cm)



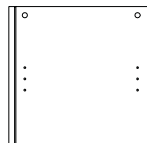
2 Right side panel
(47x41.1cm)



3 Left side panel
(47x41.1cm)



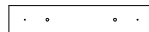
4 Right divider panel
(39x41.1cm)



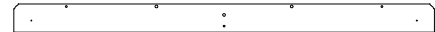
5 Left divider panel
(39x41.1cm)



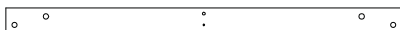
6 Bottom panel
(112.4x41.1cm)



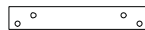
7 Side base board x 2
(41.1x8cm)



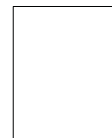
8 front base board
(119.7x8cm)



9 Back base board
(112.4x6.5cm)



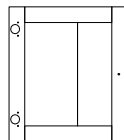
10 Central base board
(39.5x6.5cm)



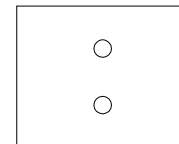
11 Side shelf panel x 2
(30.5x38.1cm)



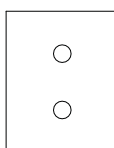
12 Central shelf panel
(47.8x38.1cm)



13 Door x 2
(33.7x38.3cm)



14 Central back panel
(48.9x40.1cm)



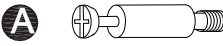

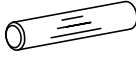

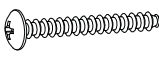
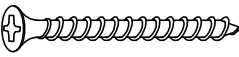



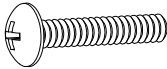

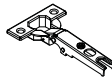
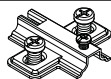






15 Side back panel x 2
(31.7x40.1cm)




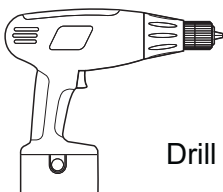





Components - Fittings

Please check you have all the fittings listed below

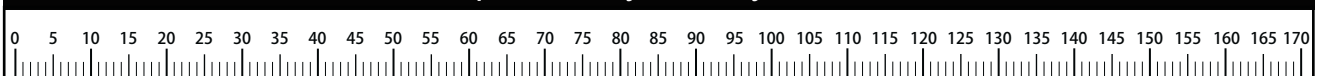
Note: The quantities below are the correct amount to complete the assembly. In some cases more fittings may be supplied than are required.

 <p>A ϕ7x33mm Connecting bolt x 22</p>	 <p>B ϕ15x12mm Locking cam x 22</p>	 <p>C ϕ8x30mm Wooden dowel x 25</p>
 <p>D ϕ8x20mm Short wooden dowel x 4</p>	 <p>E ϕ4x28mm Screw x 4</p>	 <p>F ϕ5x50mm Screw x 4</p>
 <p>G ϕ3.5x12mm Screw x 8</p>	 <p>H ϕ3.5x12mm Screw x 4</p>	 <p>I ϕ3.5x16mm Screw x 12</p>
 <p>J ϕ4x22mm screw x 2</p>	 <p>K ϕ33mm Knob x 2</p>	 <p>L Hinge x 4</p>
 <p>M Hinge base x 4</p>	 <p>N Plastic bracket x 2</p>	 <p>O Rear panel connector x 12</p>
 <p>P ϕ20mm Felt feet x 7</p>	 <p>R ϕ16x3mm Cap x 8</p>	 <p>S Shelf pin x 12</p>
 <p>T ϕ8x1mm Pad x4</p>		

Tools required

	Phillips screwdriver (medium & large)			Small hammer
	Flatblade screwdriver (medium)			Ruler/tape measure
	7mm Suitable drill bit (for use with wall plug)			Eye protection (when using a hammer or glue)

Ruler - Use this ruler to help correctly identify the screws



The screws length is measured from the head to the point (30mm screw shown).

Assembly Instructions

Step 1

Fixing fittings on bottom panel 6

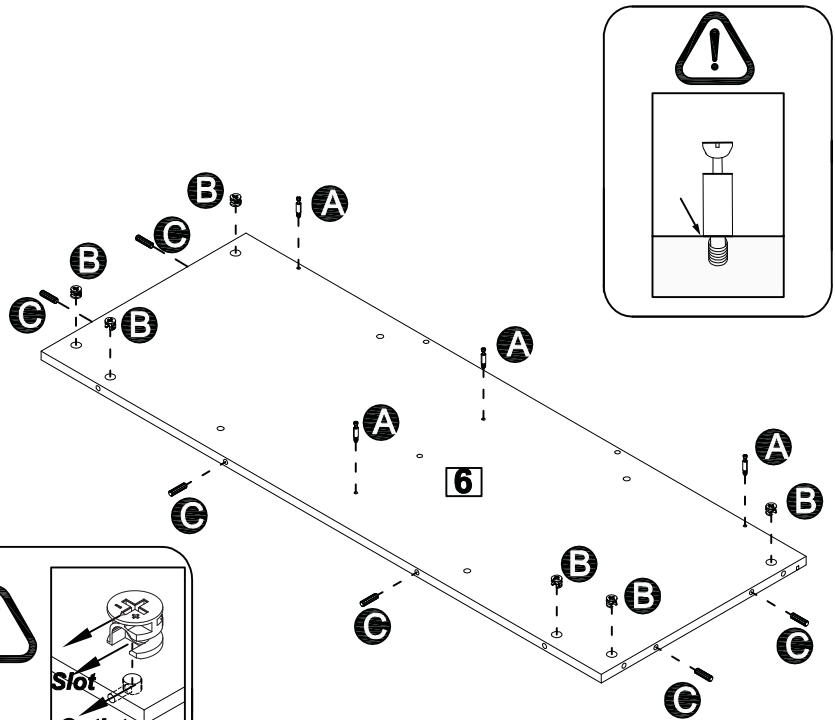
a: Fix connecting bolts **A**.

Note: Insert bolt **A** as far as shown.

Do not over tighten.

b: Insert wooden dowels **C** and locking cams **B** as shown.

Note: The slot position of locking cams **B** should be as shown.



Step 2

Fixing fittings on back base board 9 as shown.

a: Fix connecting bolts **A**.

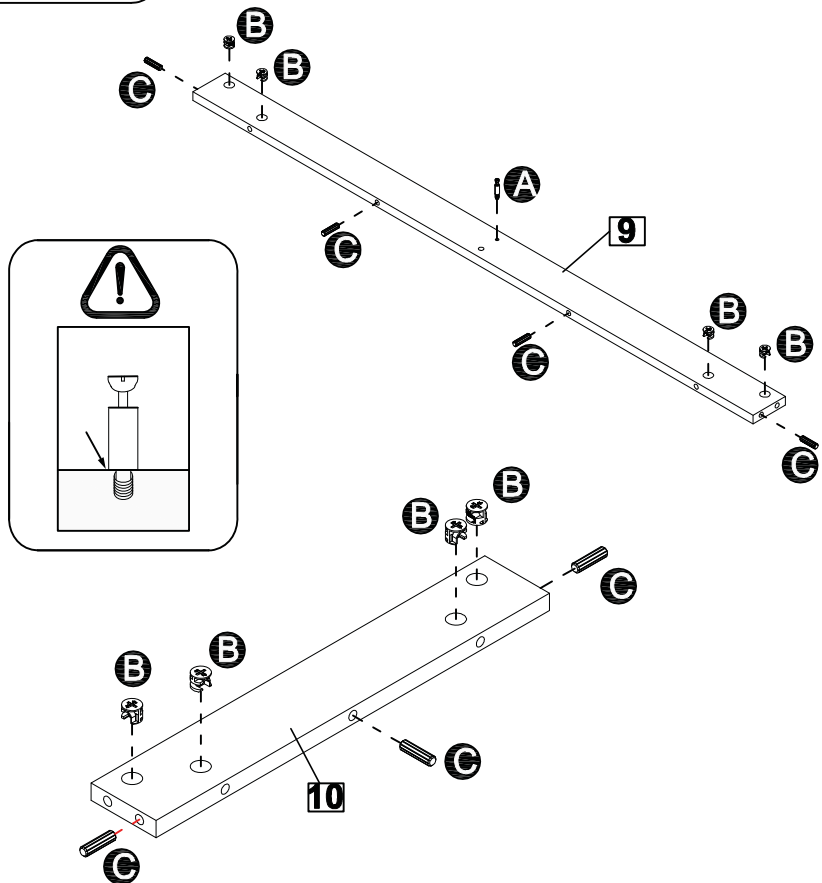
Note: Insert bolt **A** as far as shown.

Do not over tighten.

b: Insert wooden dowels **C** and locking cams **B** as shown.

Insert wooden dowels **C** and locking cams **B** on central base board 10.

Note: The slot position of locking cams **B** should be as shown.



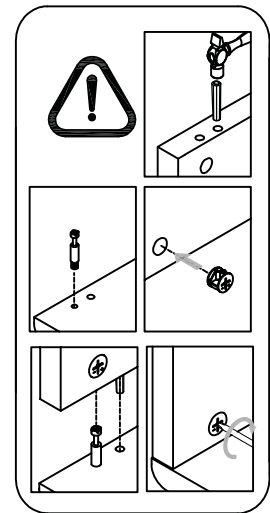
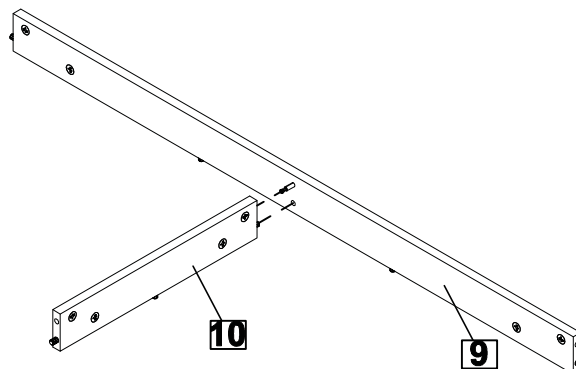
Assembly Instructions

Step 3

Attaching panels

Position central base board **10** onto back base board **9** as shown.

Use screw driver to turn locking cams **B** clockwise to lock.

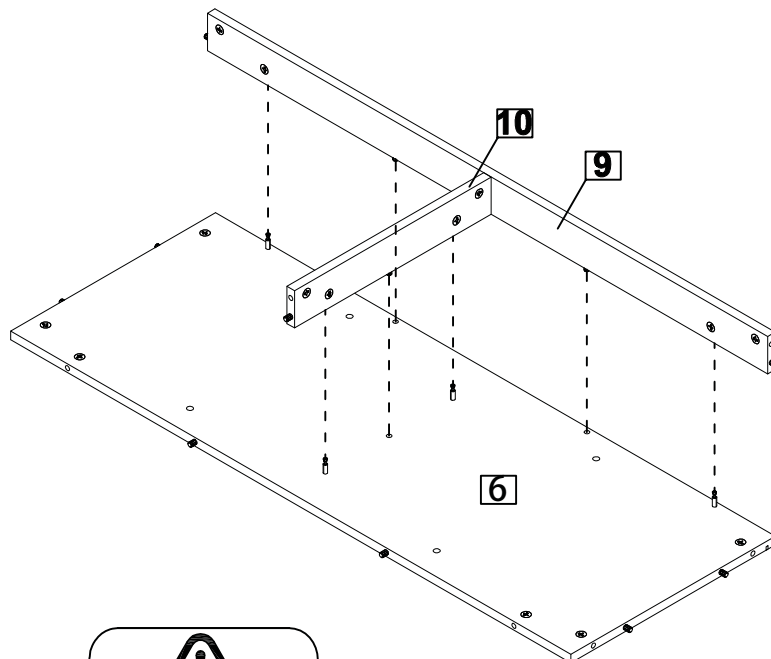


Step 4

Attaching panels

Position central base board **10** & back base board **9** onto bottom **6** as shown.

Use screw driver to turn locking cams **B** clockwise to lock.



Step 5

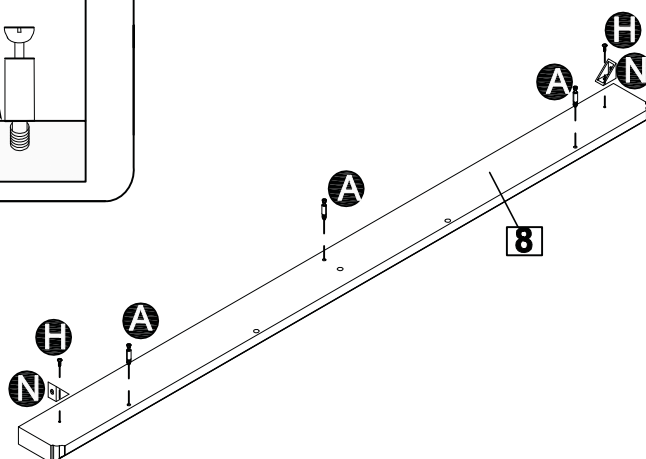
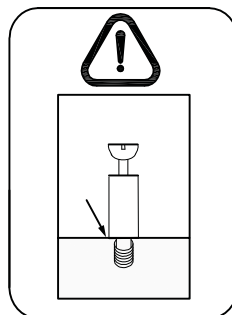
Fixing fittings

a: Fix connecting bolts **A** on front base board **8**.

Note: Insert bolt **A** as far as shown

Do not over tighten.

b: Fix plastic bracket **N** with screw **H** on front base board **8** as shown.



Assembly Instructions

Step 6

Attaching panels

a: Insert short wooden dowels **D** onto side base board **7**.

b: Attach side base board **7** onto left side panel **3** and right side panel **2** with screws **E**.

c: Insert wooden dowels **C** and locking cams **B** as shown.

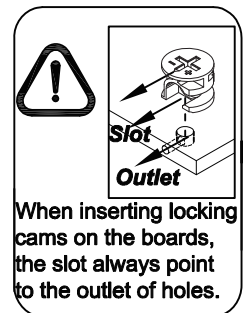
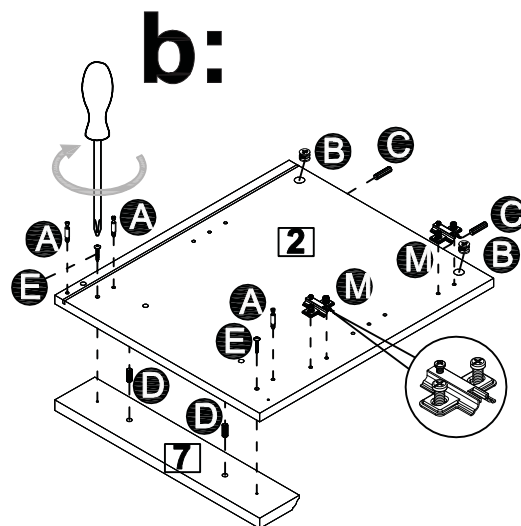
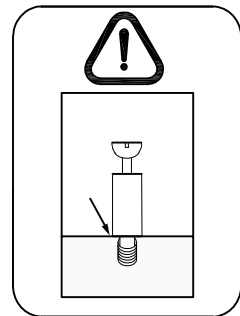
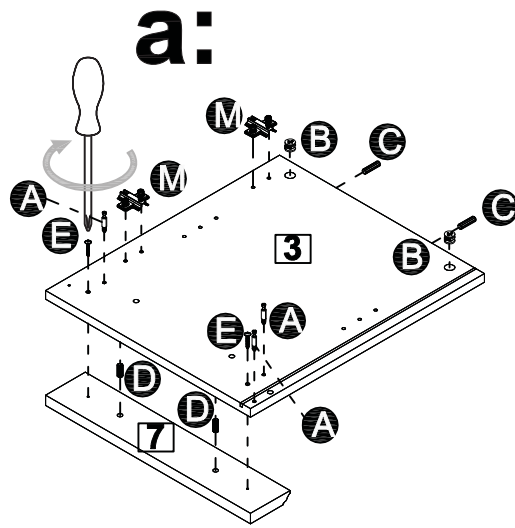
Note: The position of locking cams **B** should be as shown.

d: Fix hinge bases **M** with slot pointing outward as shown.

e: Fix connecting bolts **A**.

Note: Insert bolt **A** as far as shown.

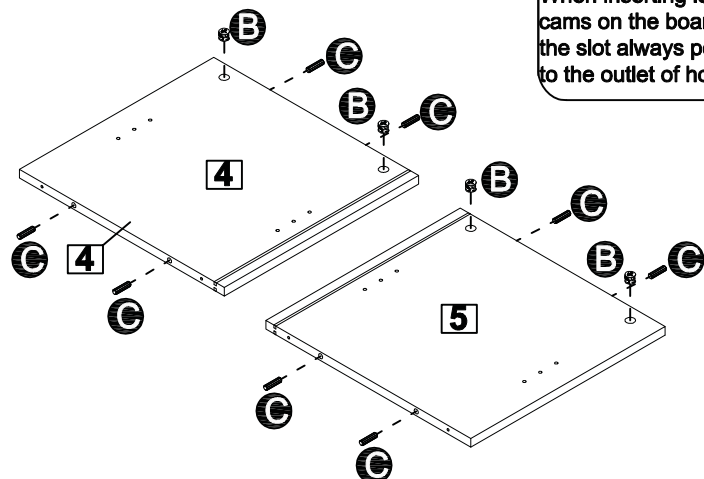
Do not over tighten.



Step 7

Insert wooden dowels **C** and locking cams **B** onto divider panels **4** & **5** as shown.

Note: The position of locking cams **B** should be as shown.



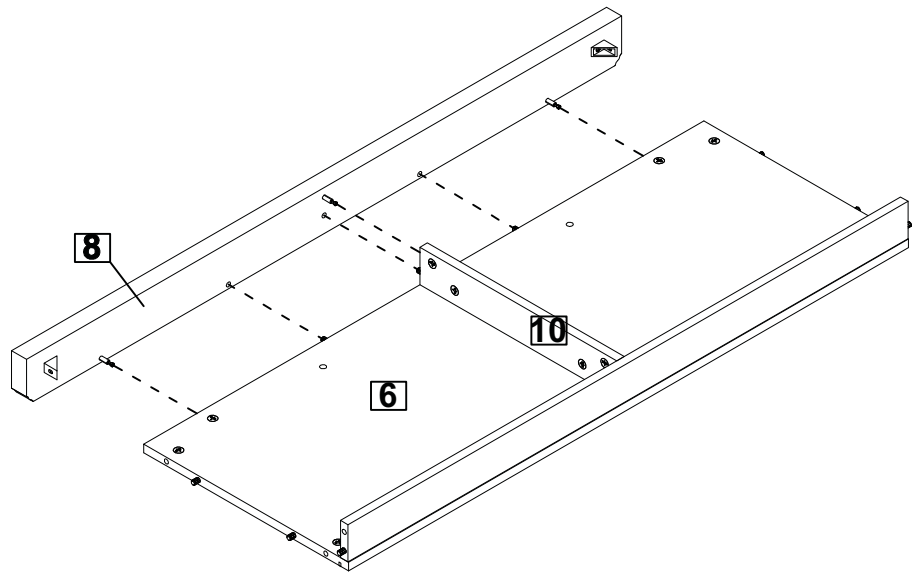
Assembly Instructions

Step 8

Attaching panels

Position front base board **8** onto bottom panel **6** & central base board **10** as shown.

Use screw driver to turn locking cams **E** clockwise to lock.

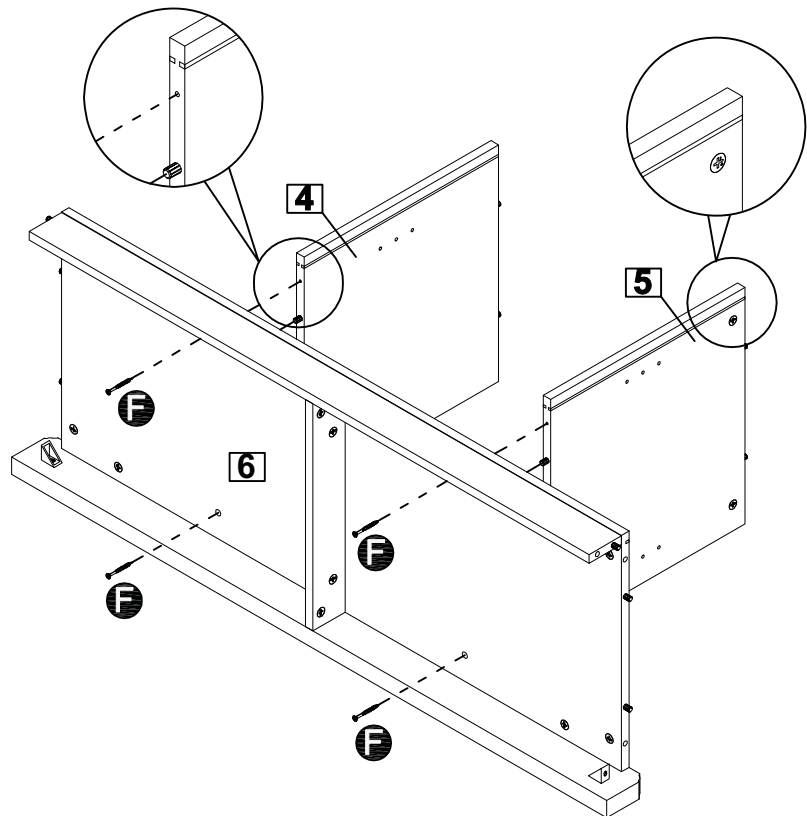


Step 9

Attaching panels

Attach left divider **5** and right divider **4** onto bottom panel **6** with screws **F**.

Note: The direction and position of two divider panels should be as shown.



Assembly Instructions

Step 10

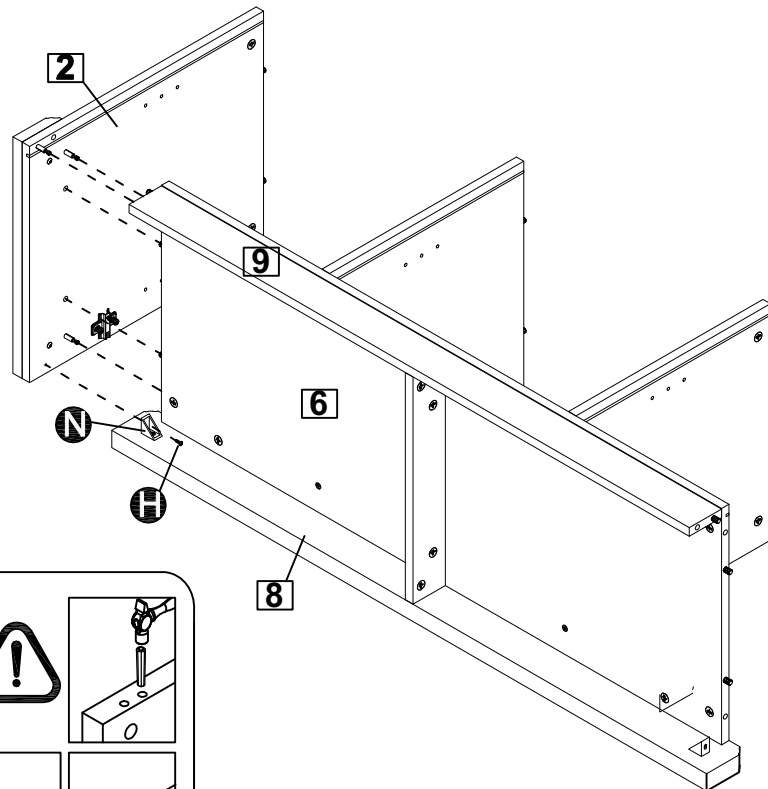
Attaching panels

Two people are needed for this assembly.

a. Position right side panel **2** onto bottom panel **6** and back base board **9**.

Use screw driver to turn locking cams **B** clockwise to lock.

b. Fix plastic bracket **N** onto right side panel **2** with screw **H**.



Step 11

Attaching panels

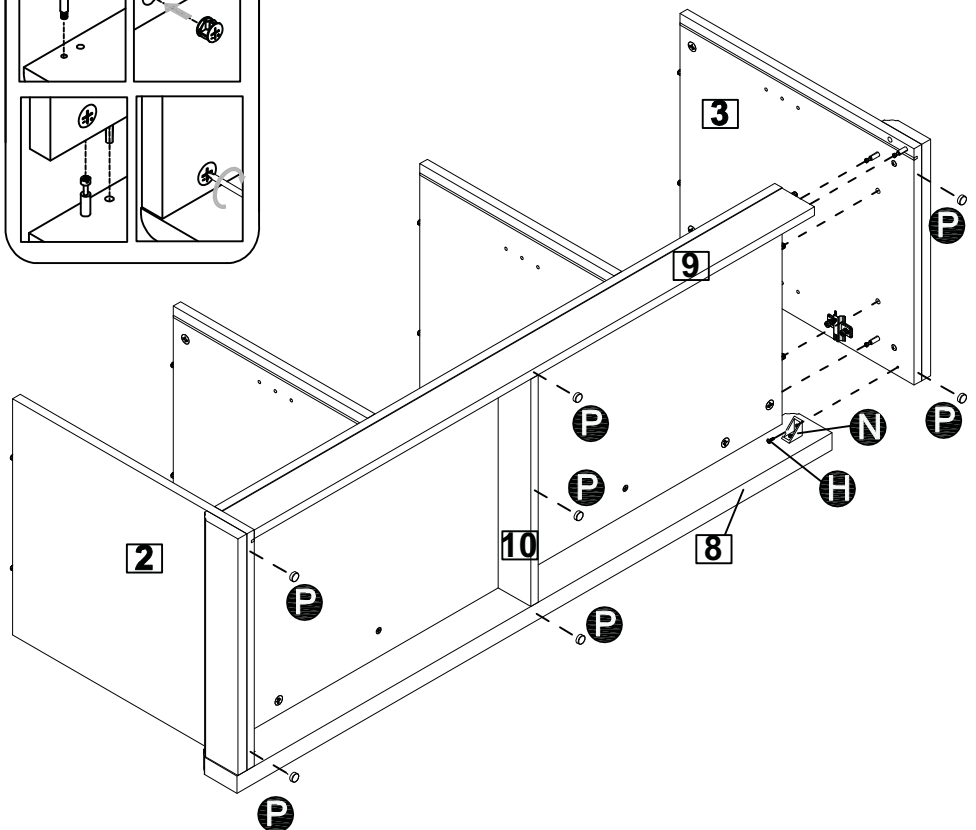
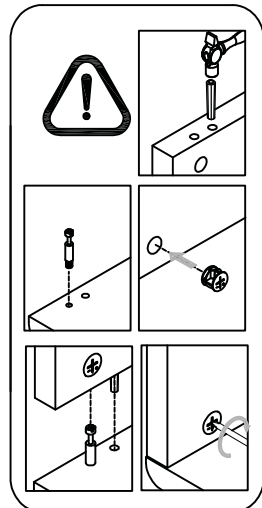
Two people are needed for this assembly.

a. Position left side panel **3** onto bottom panel **6** and back base board **9**.

Use screw driver to turn locking cams **B** clockwise to lock.

b. Fix plastic bracket **N** onto left side panel **3** with screw **H**.

c. Paste felt feet **P** on bottom edge of side panels **2** & **3** and base board **8** & **9** & **10** as shown.



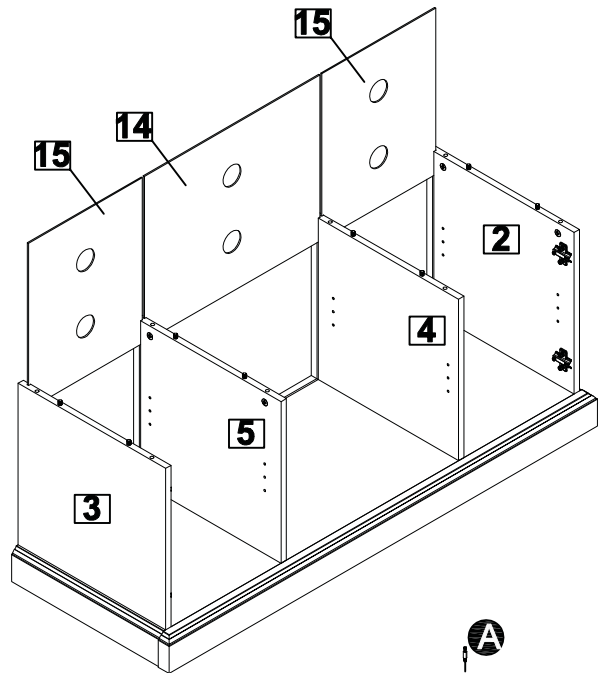
Assembly Instructions

Step 12

Attaching panels

Two people are needed for this assembly. Carefully turn the cabinet frame up as shown.

Insert back panels **14** & **15** into grooves as shown.

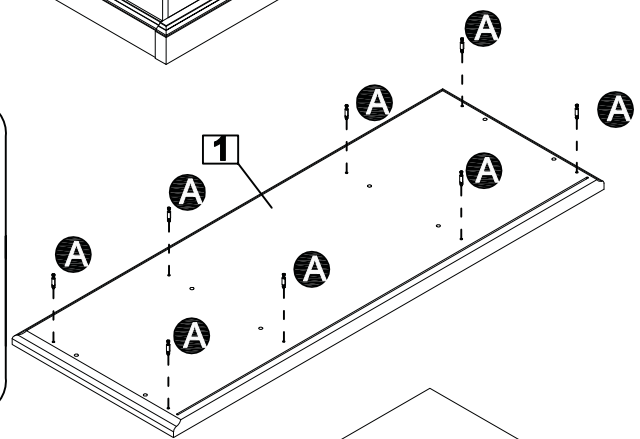
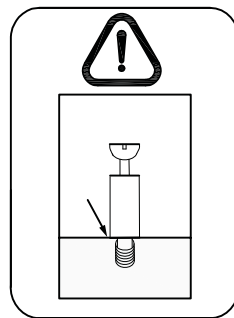


Step 13

Fitting bolts

Fix connecting bolts **A** onto top panel **1** as shown.

Note: Insert bolt **A** as far as shown. Do not over tighten.



Step 14

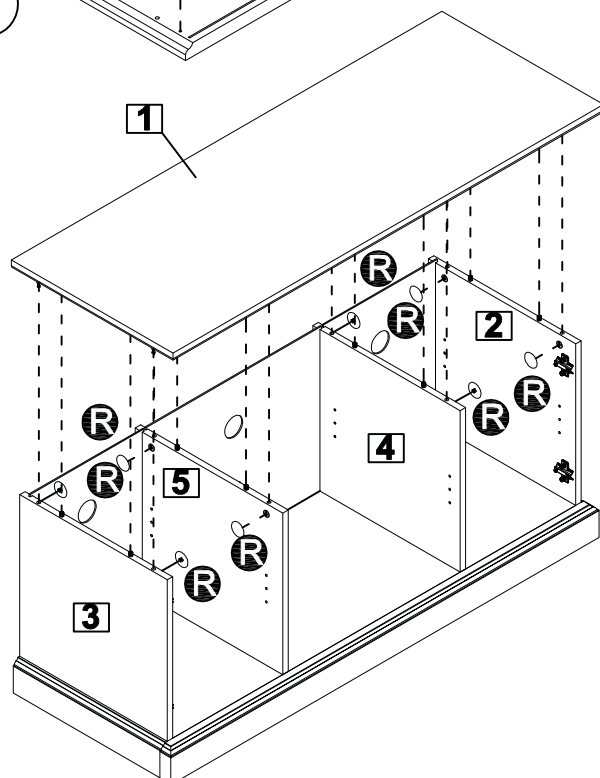
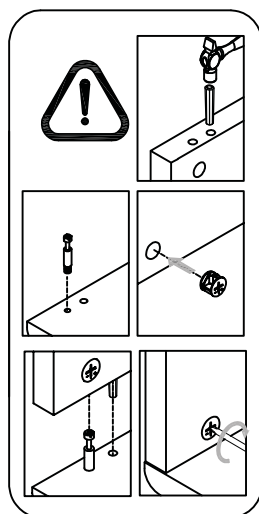
Attach panels

Two people are needed for this assembly.

Position top panel **1** onto side panel **2** & **3** and divider panels **4** & **5**.

Use screw driver to turn locking cams **B** clockwise to lock.

Use cap **R** to cover cams **B** as shown.

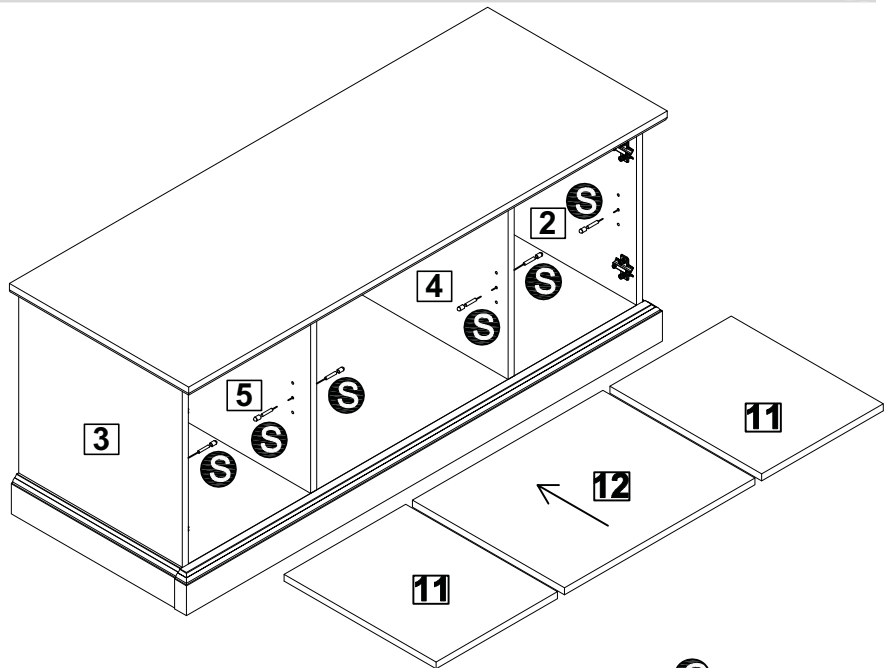


Assembly Instructions

Step 15

Attaching panels

Insert shelf pins **S** into panels **2**, **3**, **4** and **5**. Place shelf panels **11** & **12** into cabinet, letting them rest on shelf pins **S**.

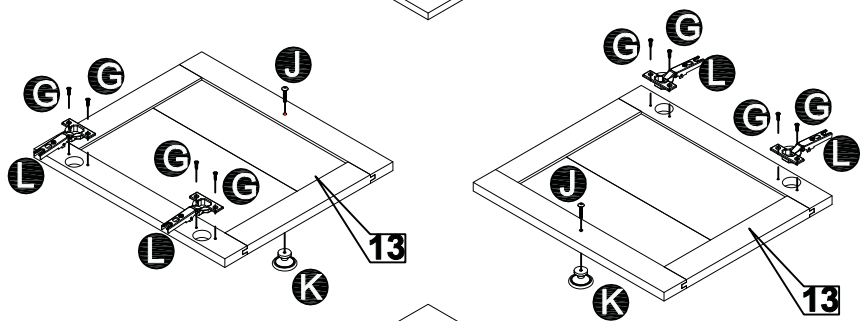


Step 16

Fixing hinges & knobs

Fix hinges **L** onto doors **13** with screws **G**.

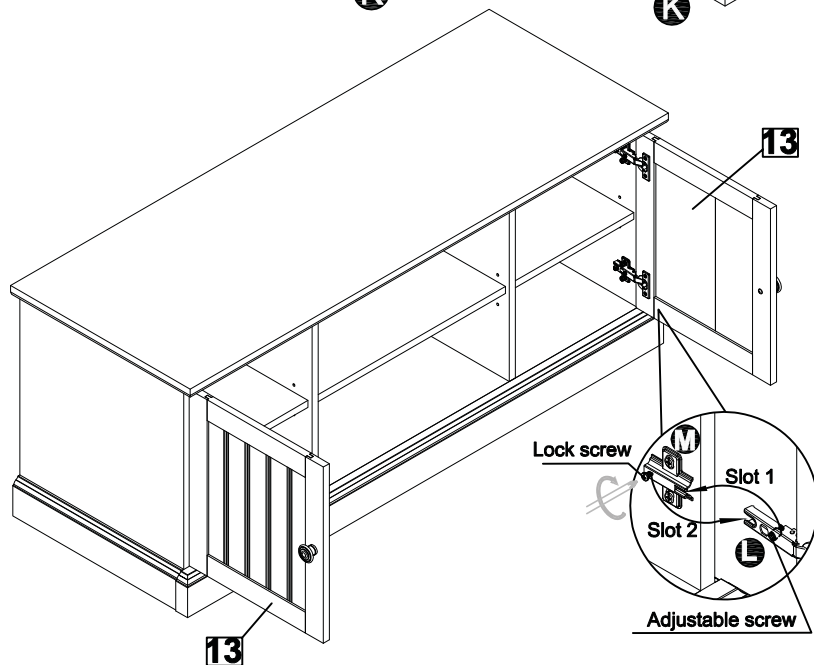
Fix knobs **K** onto doors **13** with screws **J** as shown.



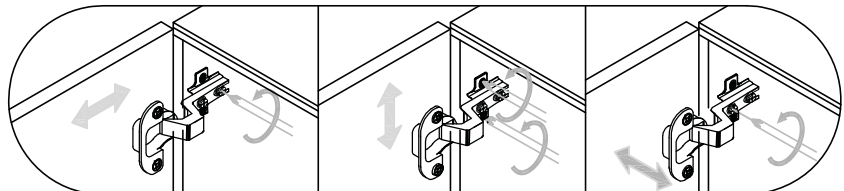
Step 17

Attach doors

Attach doors into cabinet as shown. Slide hinges **L** into hinge base **M**, until each adjustable screw is in slot 1 and the lock screw is in the slot 2, then tighten lock screw.



Adjust the doors alignment as shown.

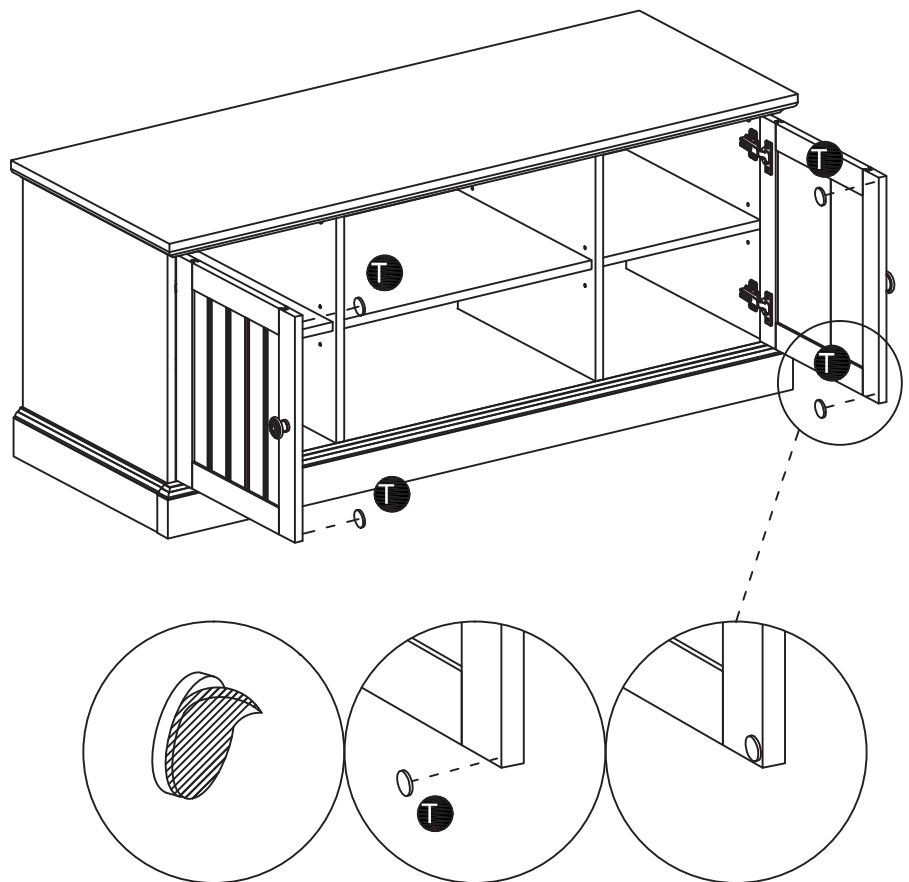


Assembly Instructions

Step 18

Attaching pads




- a. Attach Pad **T** to door back.

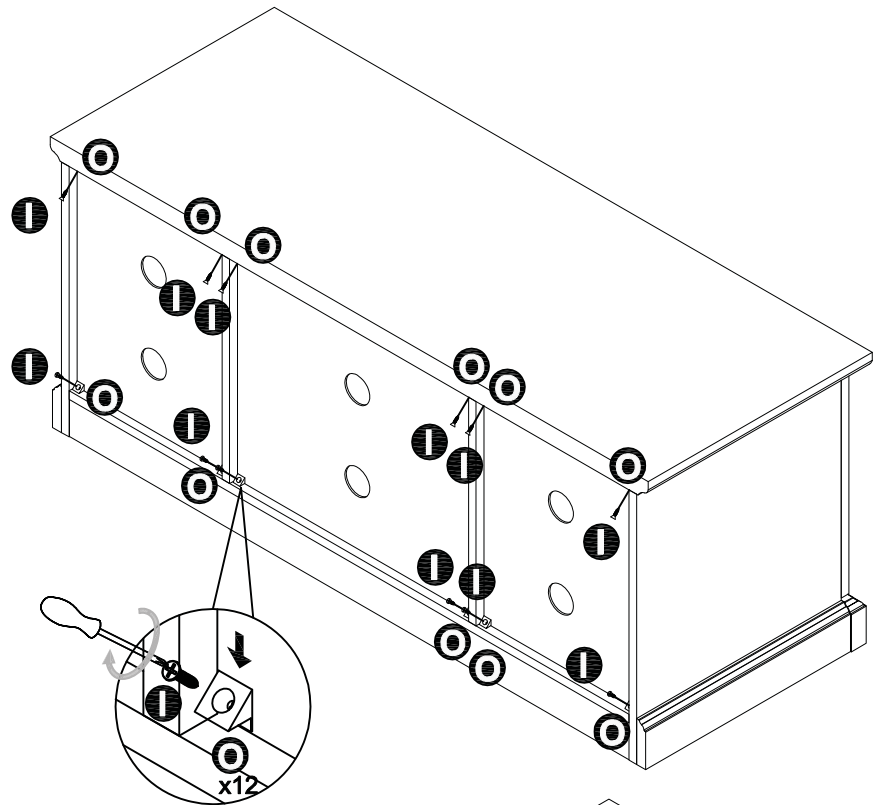


Assembly Instructions

Step 19

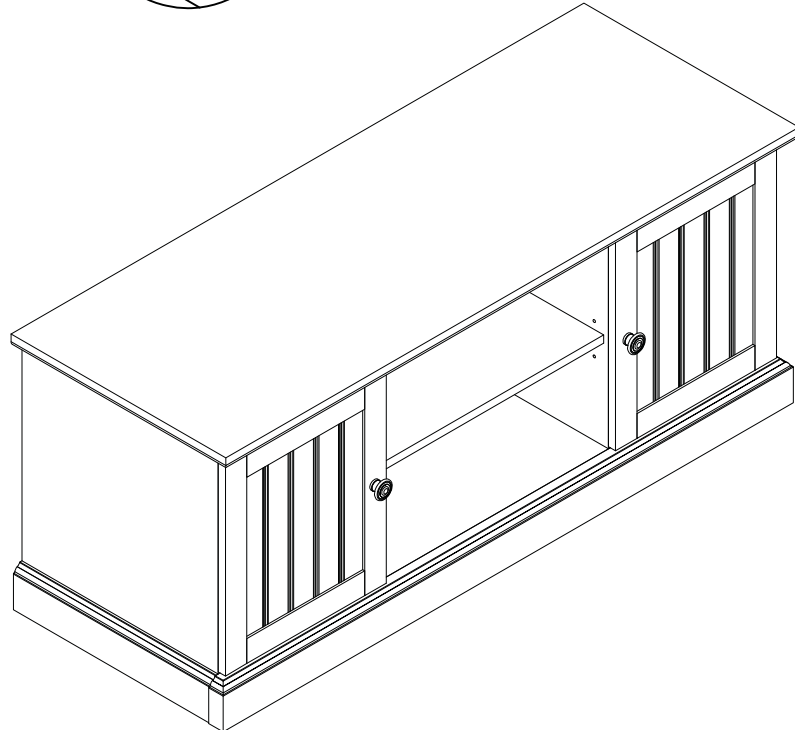
Fixing rear panel connectors

Fix rear panel connectors  with screws  as shown. Note: Maintain the cabinet alignment when fixing .



Step 20

Assembly is complete.



If you need help or have damaged or missing parts, call the **Customer Helpline:**
Argos = 0845 6400800

Care Instruction

Care and Maintenance

- Use a soft, clean cloth that will not scratch the surface when dusting.
- Use of furniture polish is not necessary. Should you choose to use polish, test first in an inconspicuous area.
- Using solvents of any kind on your furniture may damage your furniture's finish.
- Never use water to clean your furniture as it may cause damage to the finish.
- Always use coasters under beverage glasses and flowerpots.
- Liquid spills should be removed immediately. Using a soft clean cloth, blot the spill gently. Avoid rubbing.
- Always use protective pads under hot dishes and plates. Heat can cause chemical changes that may create spotting within the furniture finish.
- Stains or marks from crayons or ink markers will be difficult to remove.
- In the event that your furniture is stained or otherwise damaged during use, we recommend that you call a professional to repair your furniture.

Further advice about wood furniture care

It is best to keep your furniture in a climate controlled environment. Extreme temperature and humidity changes can cause warping, shrinking and splitting of wood. Please keep furniture away from direct sunlight as this may damage the finish. Proper care and cleaning at home will extend the life of your purchase. Following these important and helpful tips will enhance your furniture as it ages.