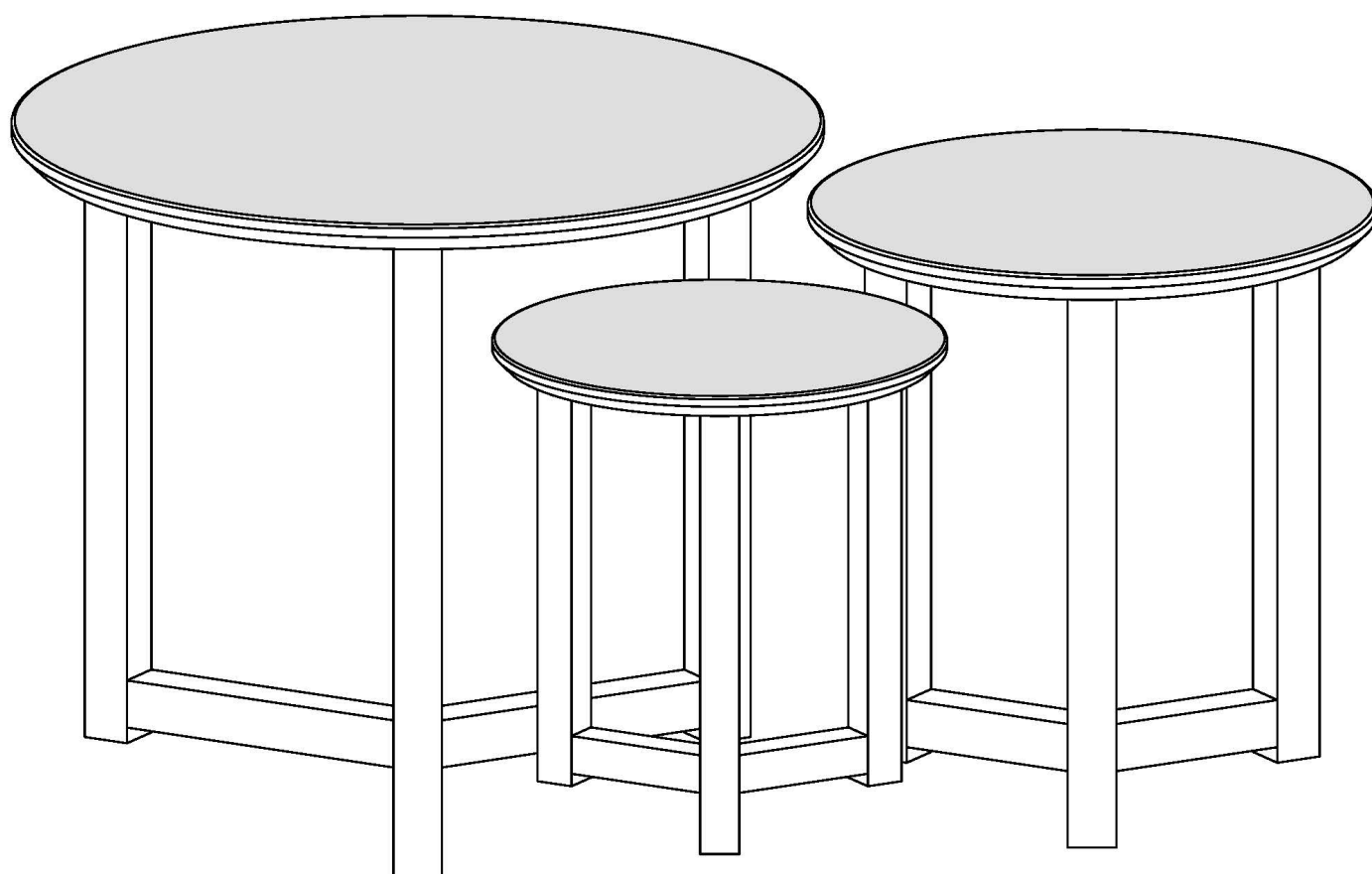


Round Coloured Nest of Tables

Assembly Instructions - Please keep for future reference

228/7591

hygena



Dimensions - Large

Width - 50.0cm
Depth - 50.0cm
Height - 42.0cm

Dimensions - Medium

Width - 35.0cm
Depth - 35.0cm
Height - 37.0cm

Dimensions - Small

Width - 30.0cm
Depth - 30.0cm
Height - 33.0cm

Important – Please read these instructions fully before starting assembly

If you need help or have damaged or missing parts, call the Customer Helpline: 0345 6400 800



Safety and Care Advice

Important – Please read these instructions fully before starting assembly

- Check you have all the components and tools listed on pages 2 and 3.
- Remove all fittings from the plastic bags and separate them into their groups.
- Keep children and animals away from the work area, small parts could choke if swallowed.
- Make sure you have enough space to layout the parts before starting.

- Do not stand or put weight on the product during assembly, this could cause damage.
- Assemble the item as close to its final position (in the same room) as possible.
- Assemble on a soft level surface to avoid damaging the unit or your floor.
- Parts of the assembly will be easier with 2 people.



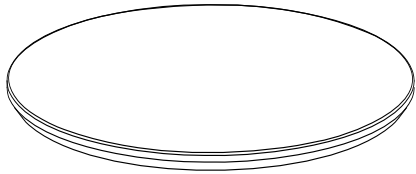
- We do not recommend the use of power drill/drivers **for inserting screws**, as this could damage the unit. Only use hand screwdrivers.
- Dispose of all packaging carefully and responsibly.

Care and maintenance

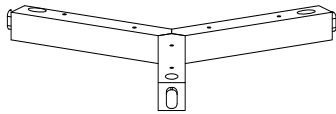
- Only clean using a damp cloth and mild detergent, do not use bleach or abrasive cleaners.
- From time to time check that there are no loose screws on this unit.
- This product should not be discarded with household waste. Take to your local authority waste disposal centre.

Components - Panels

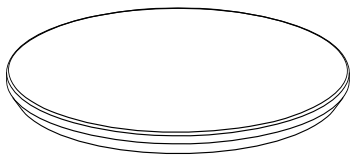
Please check you have all the panels listed below



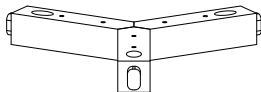
1 Large table top (1.8 x 50cm)



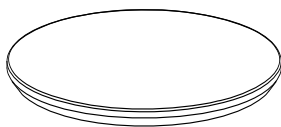
3 Large support x 2 (3 x 42cm)
(extra holes)



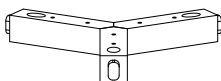
5 Medium table top (1.8 x 35cm)



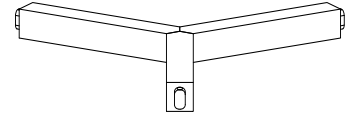
7 Medium support x 2 (3 x 27cm)
(extra holes)



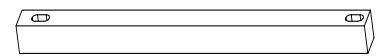
9 Small table top (1.8 x 30cm)



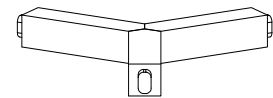
11 Small support x 2 (3 x 25cm)
(extra holes)



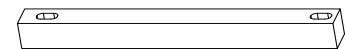
2 Large base (3 x 42cm)



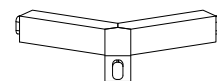
4 Large leg x 3 (3.5 x 40.2cm)



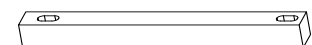
6 Medium base (3 x 27cm)



8 Medium leg x 3 (3.5 x 35.2cm)



10 Small base (3 x 25cm)



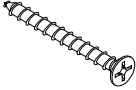
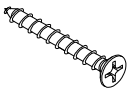
12 Small leg x 3 (3.5 x 31.2cm)

Components - Fittings

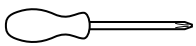
If you have damaged or missing components, call the Customer Helpline: 0345 6400 800

Please check you have all the fittings listed below

Note: The quantities below are the correct amount to complete the assembly. In some cases more fittings may be supplied than are required.

<p>A</p>  <p>50mm Screw x 18</p>	<p>B</p>  <p>40mm Screw x 18</p>
--	--

Tools required



Phillips screwdriver
(medium)

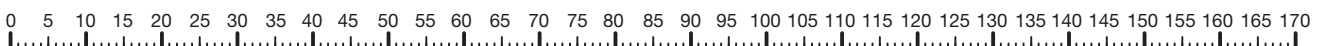


Ruler/tape
measure



Small
hammer

Ruler - Use this ruler to help correctly identify the screws



Assembly Instructions

Step 1

LARGE TABLE

Attaching legs

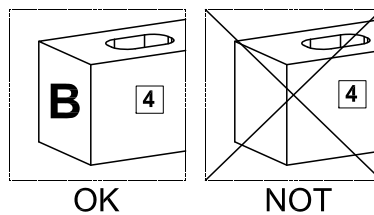
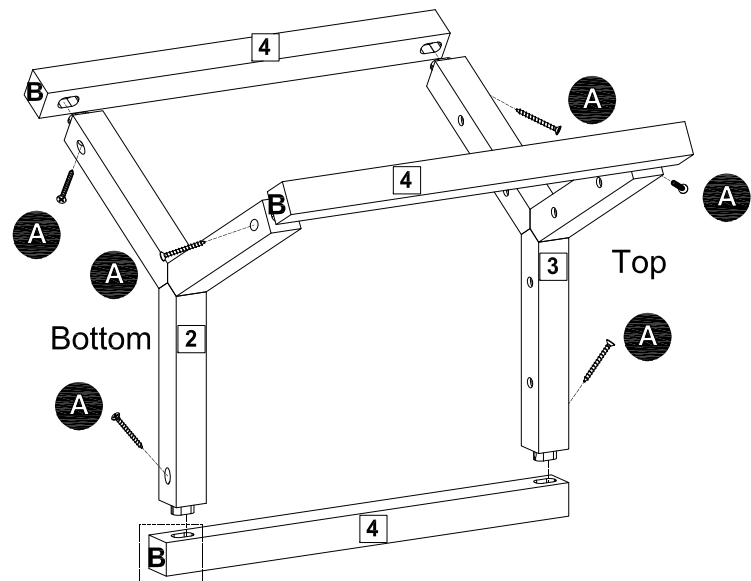
Attach large legs **4** to large base **2** and large support **3**.

Secure using screws **A** as shown.

Important note:

One end of Legs **4** has been labelled 'B'. This must be located at the bottom, for assembly to large base **2**.

Screws **A** are longer than screws **B**. Take care to ensure the correct length screws are used in each step.



Step 2

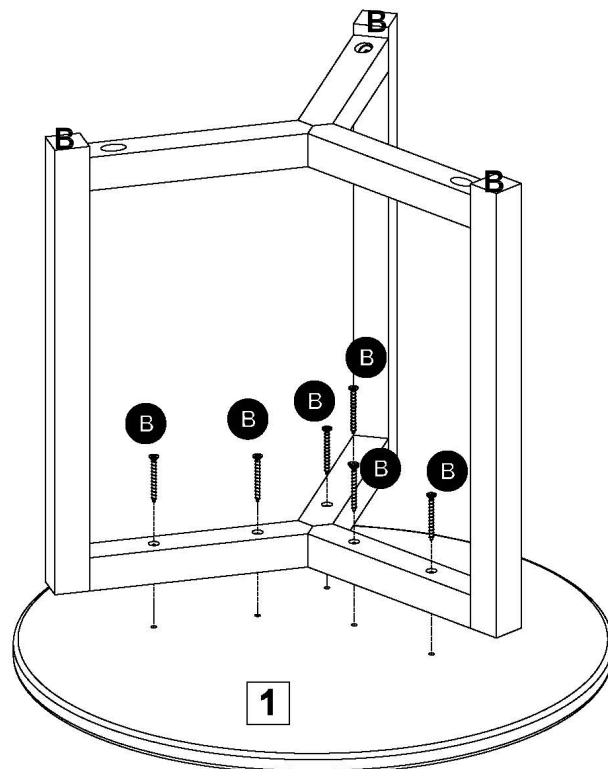
Attaching top

Place large table top **1** upside down onto a clean flat surface.

Carefully align the leg frame and secure using screws **B**.

Note:

Screws **B** are slightly shorter than screws **A**. Take care to ensure the correct length screws are used in each step.



Assembly Instructions

Step 3

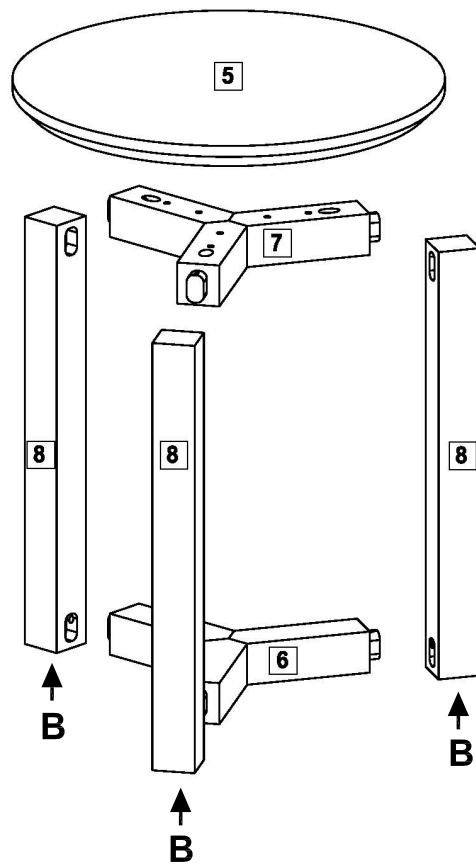
MEDIUM TABLE

Assemble Medium Table

Repeat steps 1 and 2 to assemble the medium table, using components **5** **6** **7** and **8**.

Note:

Again, the bottoms of legs **8** are labelled 'B'. Assemble to medium base **6**.



Step 4

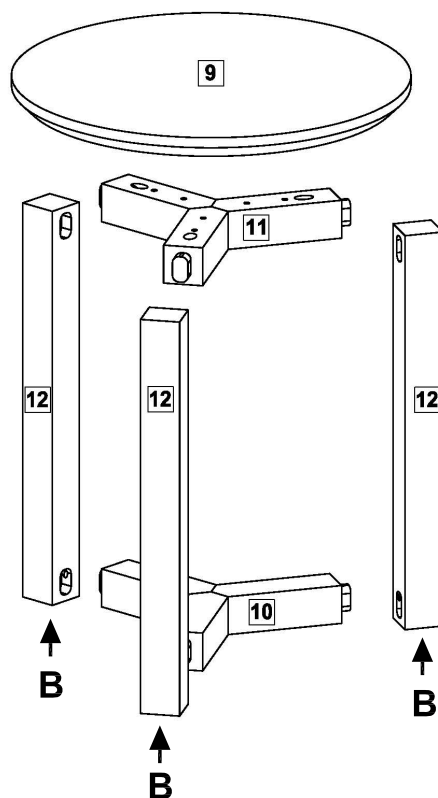
SMALL TABLE

Assemble Small Table

Repeat again to assemble the small table using components **9** **10** **11** and **12**.

Note:

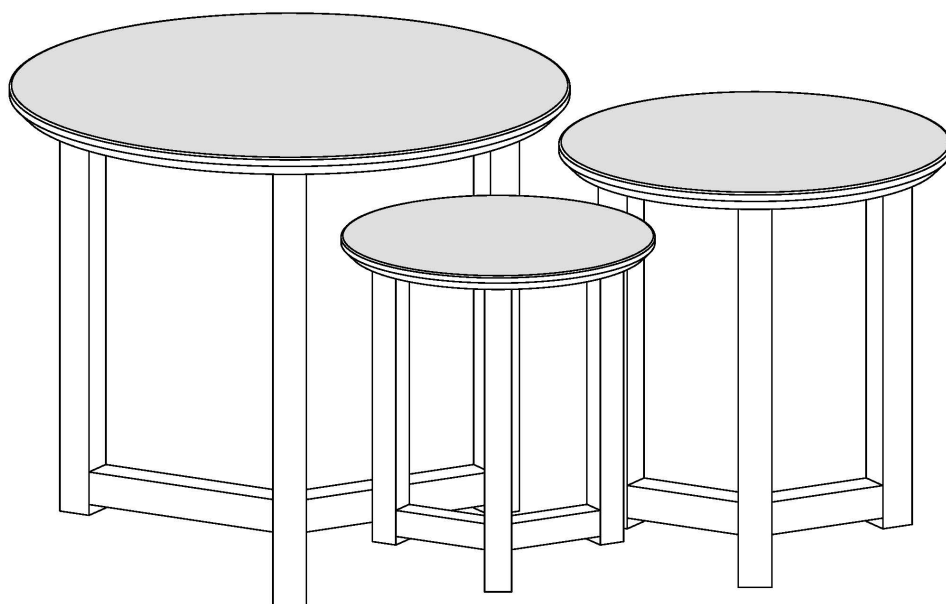
Legs **12** are labelled 'B' on the bottom. Assemble to small base **10**.



Assembly Instructions

Step 5

Carefully turn all 3 tables upright.



Assembly is complete.

If you need help or have damaged or missing parts, call the Customer Helpline: 0345 6400 800
Argos Ltd MK9 2NW