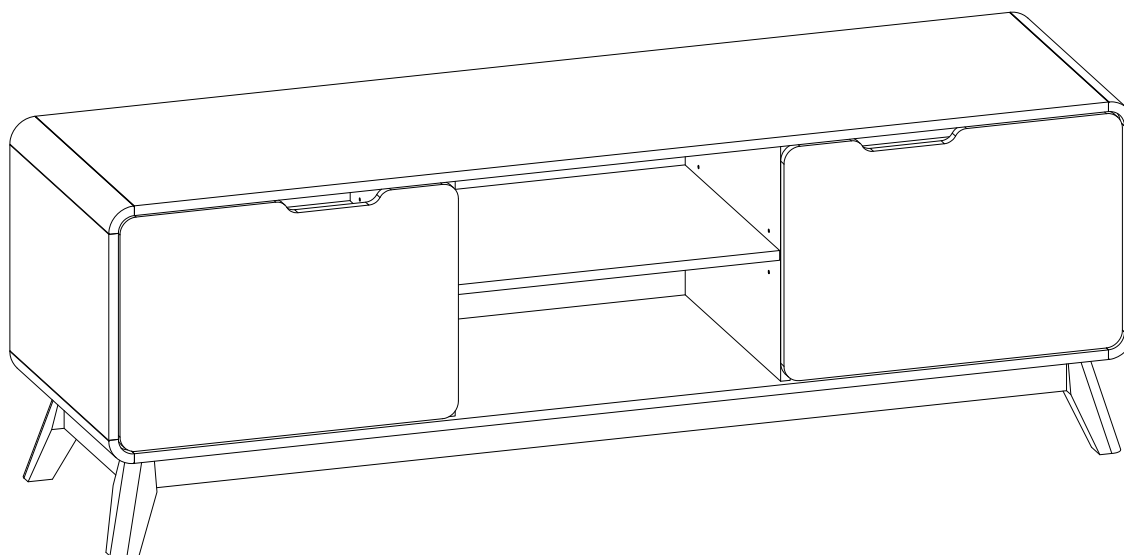


Holstebro - TV stand

Assembly Instruction - Please keep for future reference

228/7261



Dimensions

Length - 160cm

Width - 45cm

Height - 55cm

Important - Please read these instruction fully before starting assembly

If you need help or have damaged or missing parts, call the **Customer Helpline: 0845 640 0800**



Safety and Care Advice

Important - Please read these instructions fully before starting assembly

- Check you have all the components and tools listed on pages 2 and 3.

- Remove all fittings from the plastic bags and separate them into their groups.

- Keep children and animals away from the work area, small parts could choke if swallowed.

- Make sure you have enough space to layout the parts before starting.

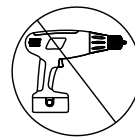
- Retain these instructions for future reference

- Do not stand or put weight on the product during assembly, this could cause damage.

- Assemble the item as close to its final position (in the same room) as possible.

- Assemble on a soft level surface to avoid damaging the unit or your floor.

- Parts of the assembly will be easier with 2 people.



- We do not recommend the use of power drill/drivers **for inserting screws**, as this could damage the unit. Only use hand screwdrivers.

- Dispose of all packaging carefully and responsibly.

- Do not use this item if any components are missing or damaged

Care and maintenance

- Only clean using a damp cloth and mild detergent, do not use bleach or abrasive cleaners.

- From time to time check that there are no loose screws on this unit.

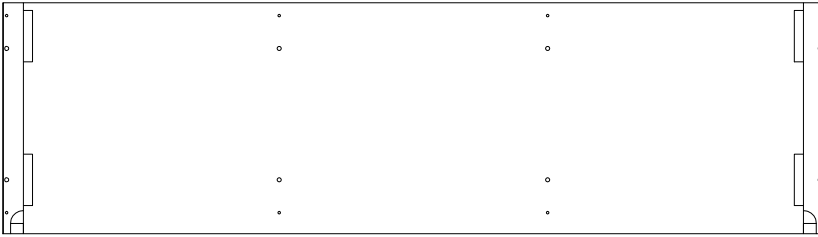
- This product should not be discarded with household waste. Take to your local authority waste disposal centre.

Note: if required the next page can be cut out and used as reference throughout the assembly. Keep this page with these instructions for future reference.

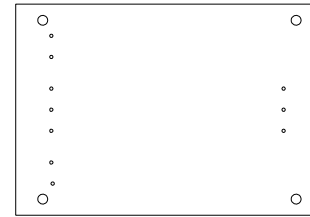
Components - Panels

If you have damaged or missing components, call the **Customer Helpline: 0845 6400800**

Please check you have all the panels listed below



1 Top panel(160x45cm)



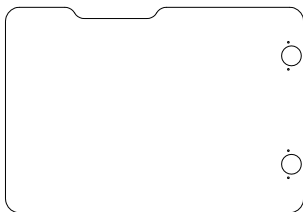
3 Left side panel (32x45cm)



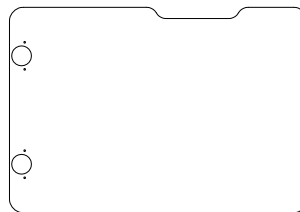
2 Bottom panel (160x45cm)



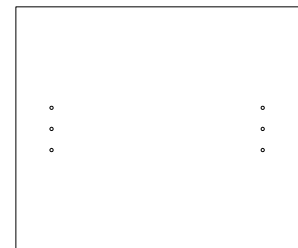
4 Right side panel (32x45cm)



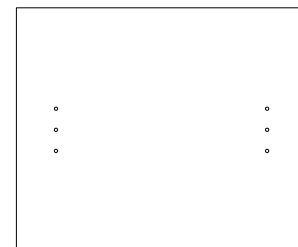
7 Left door (36.4x52.8cm)



8 Right door (36.4x52.8cm)



5 Left divider panel (37x43.4cm)



6 Right divider panel (37x43.4cm)



9 Big support leg (16x14.8cm)

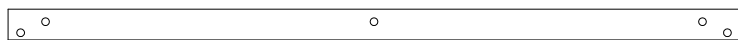


10 Small support leg (8x14.8cm)



Components - Panels

Please check you have all the panels listed below



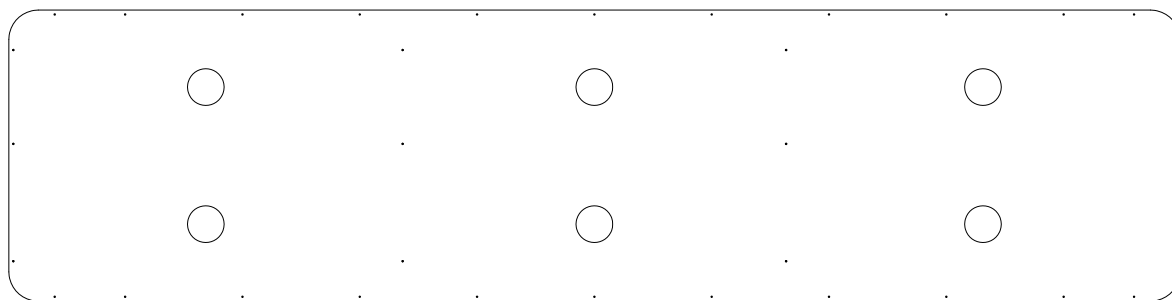
11 long rail x 2
(142.6x6cm)



12 Short rail x 2
(28x6cm)



13 Leg x 4
(7.5x7.5cm)



14 Back panel
(159.7x39.7cm)



15 Side shelf x 2
(43x51.4cm)



16 Middle shelf
(43x50.6cm)
















Components - Fittings

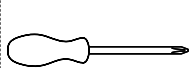
If you have damaged or missing components, call the **Customer Helpline: 0845 6400800**

Please check you have all the fittings listed below

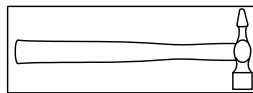
Note: The quantities below are the correct amount to complete the assembly. In some cases more fittings may be supplied than are required.

<p>A  $\varnothing 7 \times 33$mm Connecting bolt x 33</p>	<p>B  $\varnothing 15 \times 11.5$mm Locking cam x 33</p>	<p>C  $\varnothing 16 \times 3$mm Cap x 12</p>
<p>D  $\varnothing 8 \times 30$mm Wooden dowel x 32</p>	<p>E  $\varnothing 5 \times 38$mm Screw x 5</p>	<p>F  Nail x 34</p>
<p>G  $\varnothing 5 \times 38$mm Screw x 4</p>	<p>H  $\varnothing 20$mm Felt feet x 7</p>	<p>I  $\varnothing 3.5 \times 12$mm Screw x 8</p>
<p>J  Shelf pin x 12</p>	<p>K  Hinge x 4</p>	<p>L  Hinge base x 4</p>
<p>M  Pad x 4</p>		

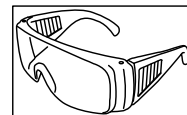
Tools required



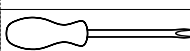
Phillips screwdriver (medium & large)



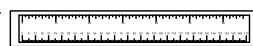
Small hammer



Eye protection (when using a hammer)

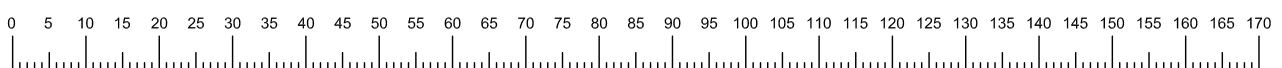


Flatblade screwdriver (medium)



Ruler/tape measure

Ruler - Use this ruler to help correctly identify the screws



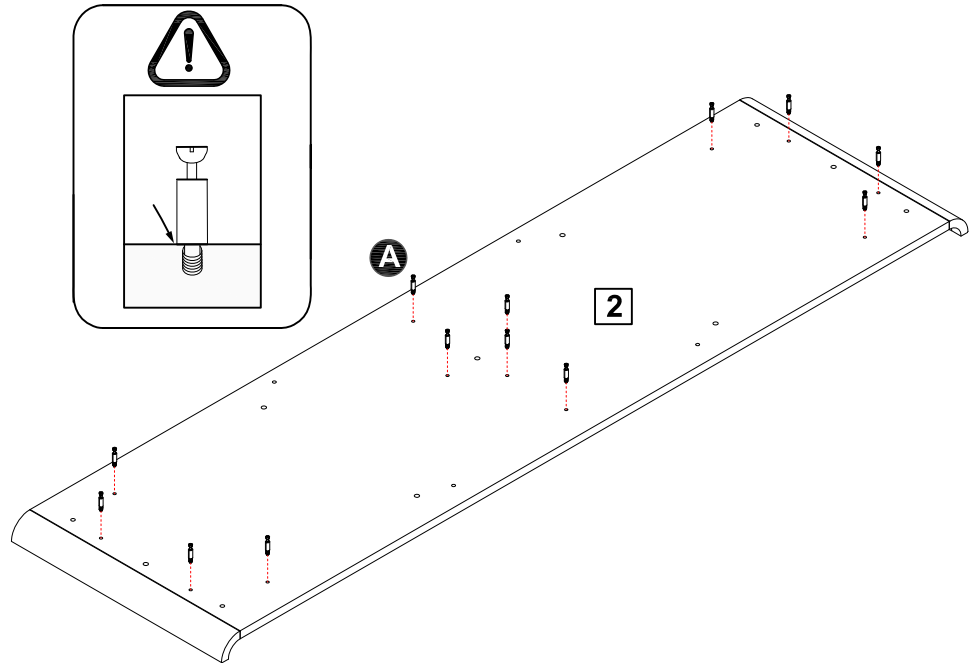
Assembly Instructions

Step 1

Fixing bolts

Fix connecting bolts **A** onto the bottom panel **2** as shown.

Note: Insert bolt as far as shown. Do not over tighten.



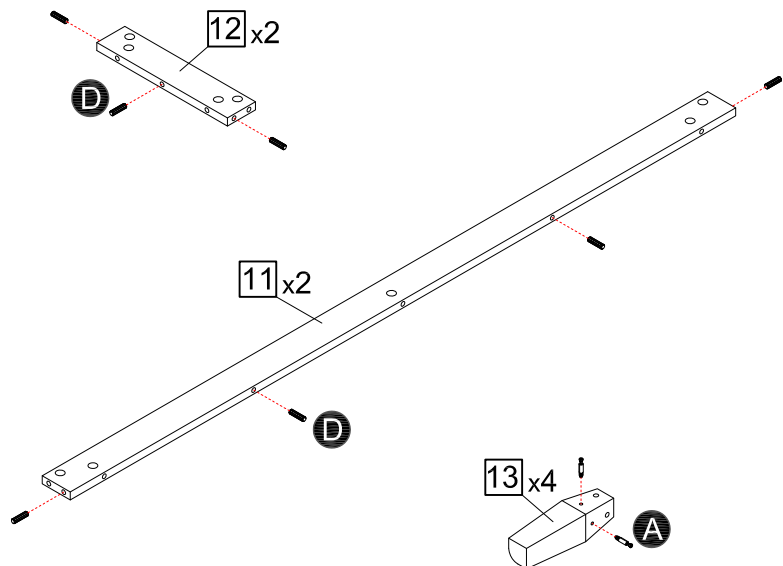
Step 2

Fixing fittings

a: Insert wooden dowels **D** into bottom rail **11** & **12**.

b: Fit connecting bolt **A** onto legs **13**.

Note: Insert bolt as far as shown. Do not over tighten.



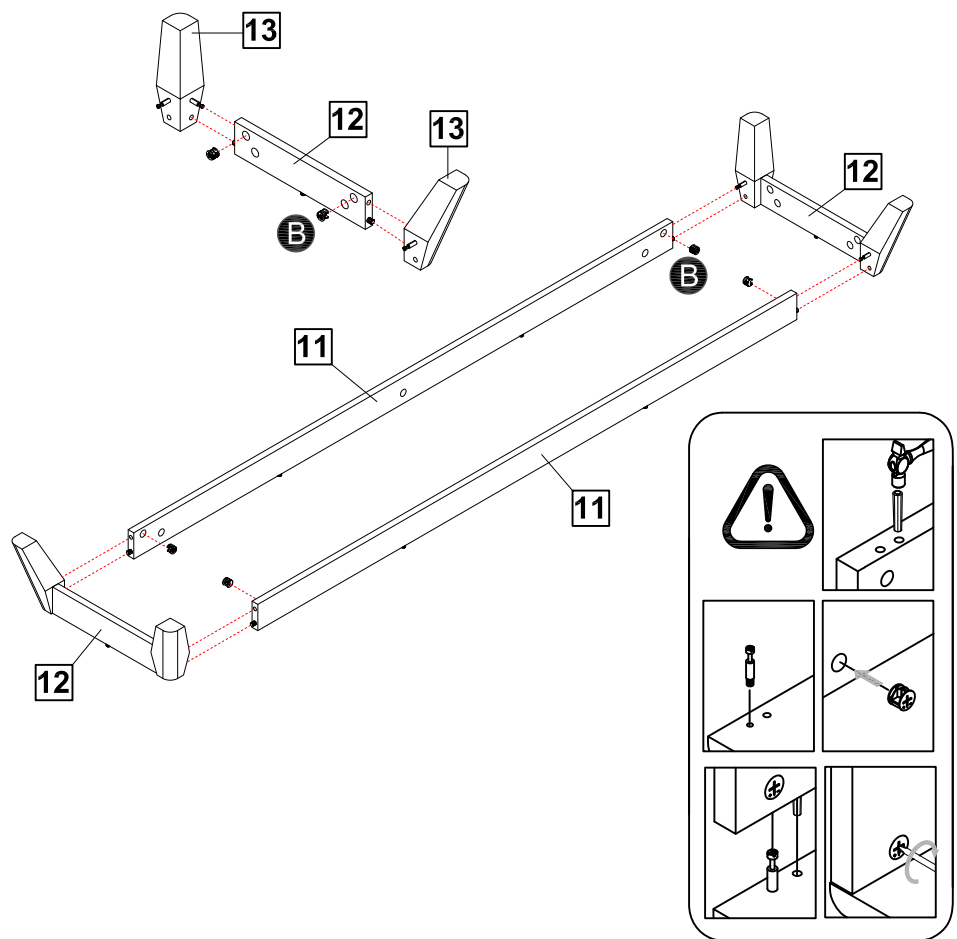
Assembly Instructions

Step 3

Attaching panels

a: Attach leg **13** onto short rail **12**. Insert locking cams into short rail **12**. Use screw driver to turn locking cams **B** clockwise to lock.

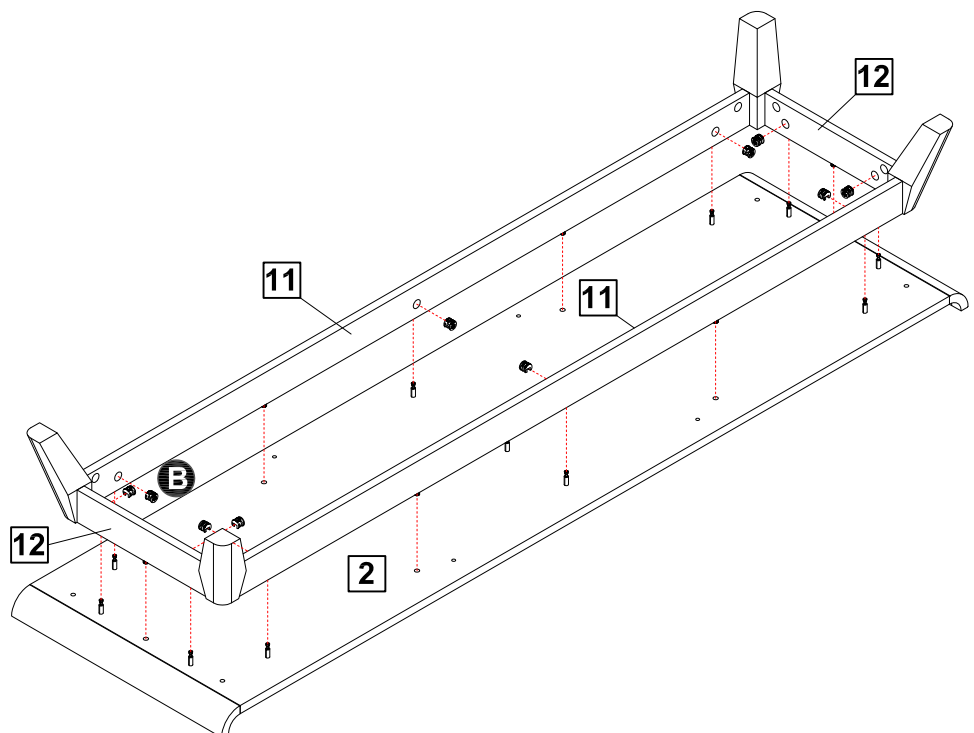
b: Attach long rail **11** onto leg **13**. Insert locking cams into long rail **11**. Use screw driver to turn locking cams **B** clockwise to lock.



Step 4

Attaching panels

Attaching rails **11** & **12** onto bottom panel **2**. Insert locking cams **B** into rails **11** & **12**. Use screw driver to turn locking cams **B** clockwise to lock.



Assembly Instructions

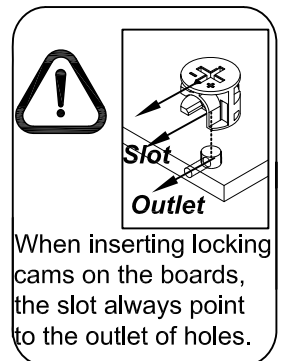
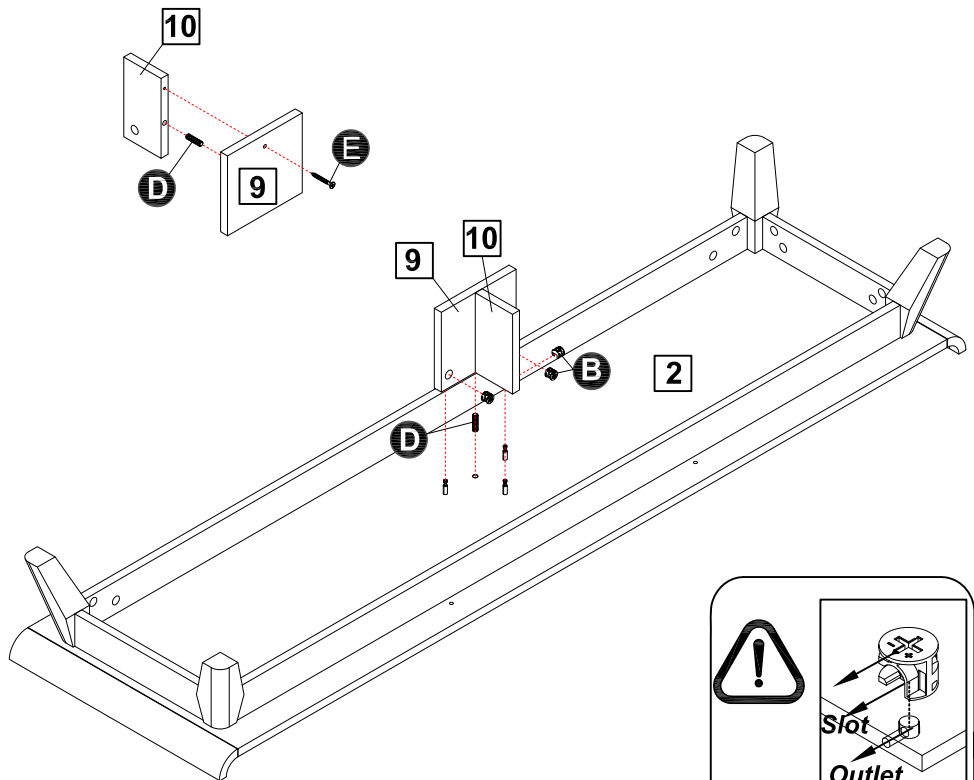
Step 5

Attaching support legs

a: Attach small support leg **10** to leg **9** with wooden dowel **D** and screw **E**.

b: Attach leg **9** & **10** onto bottom panel **2** with wooden dowel **D**.

c: Insert locking cams **B** into leg **9** & **10**. Use screw driver to turn locking cams **B** clockwise to lock.



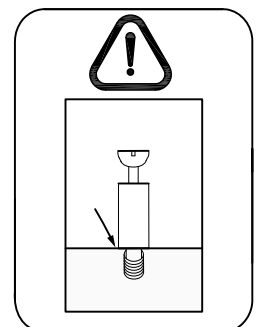
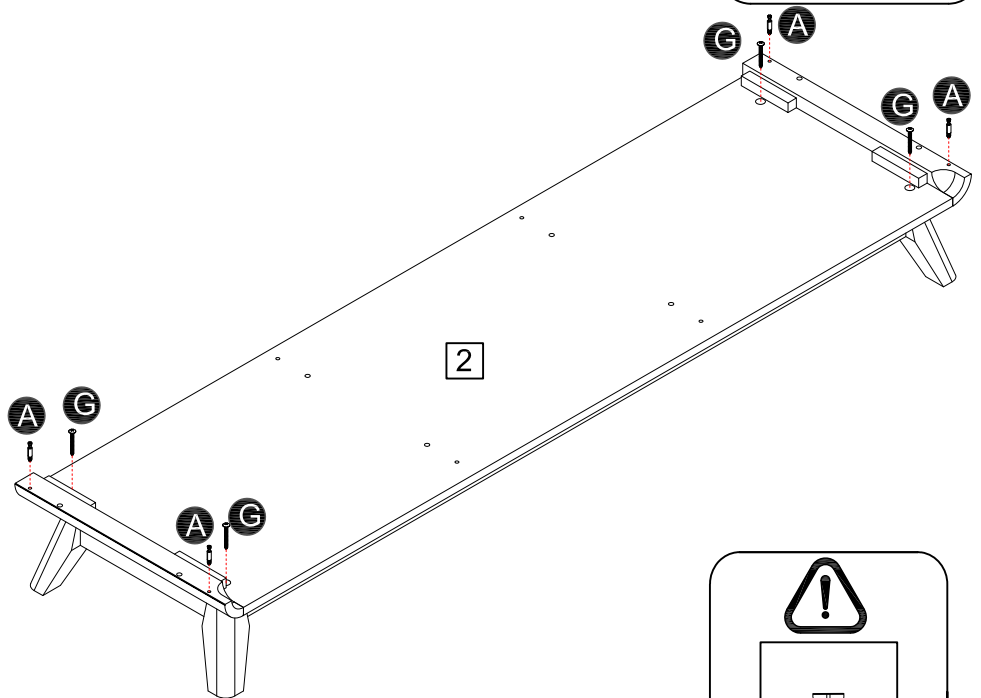
Step 6

Fixing fittings

a: Fix screws **G** through bottom panel **2** to leg assembly. Tighten with screw driver.

b: Fix connecting bolts **A** onto bottom panel **2** as shown.

Note: Insert bolt as far as shown. Do not over tighten.

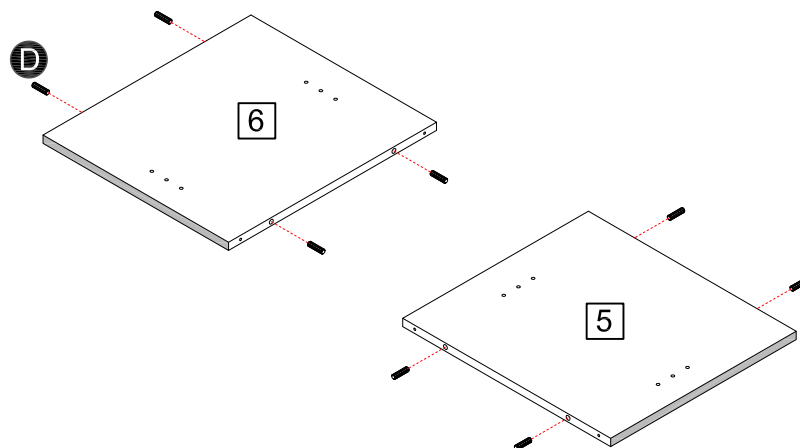


Assembly Instructions

Step 7

Fixing dowels

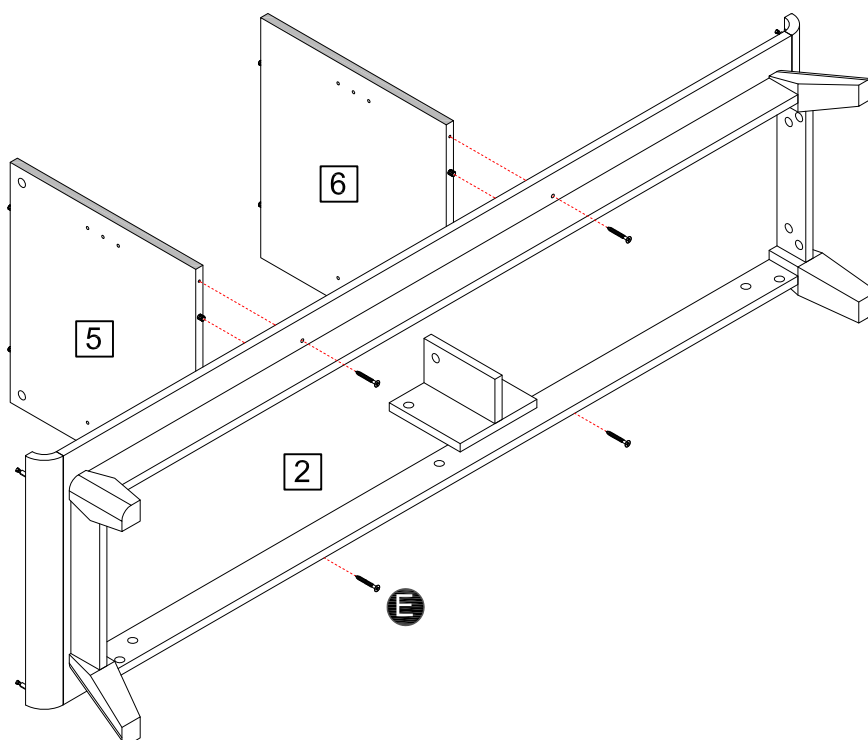
Insert wooden dowels **D** as shown.



Step 8

Attaching panels

Attach bottom panel **2** onto left divider **5** & right divider **6** with screw **E**.



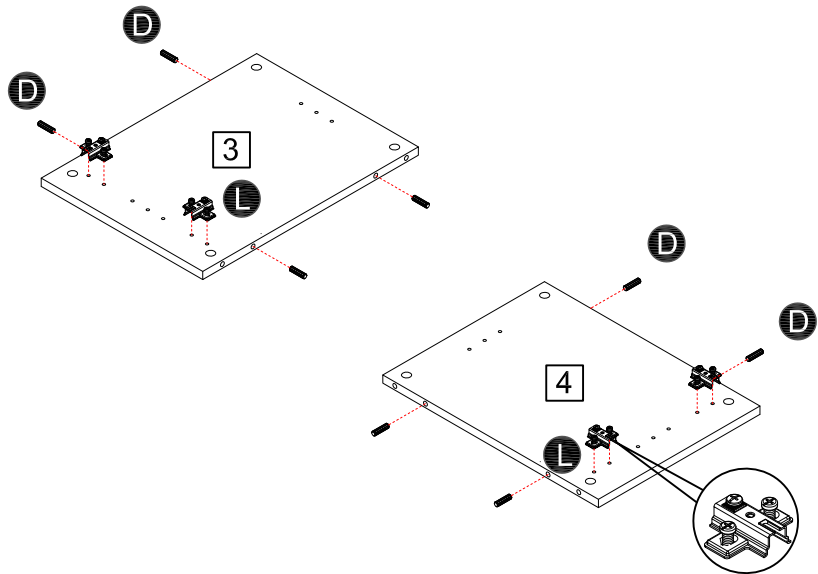
Assembly Instructions

Step 9

Fixing fittings

a: Insert wooden dowels **D** into side panel **3** & **4**.

b: Fix hinge base **L** as shown. The slot should point outward.

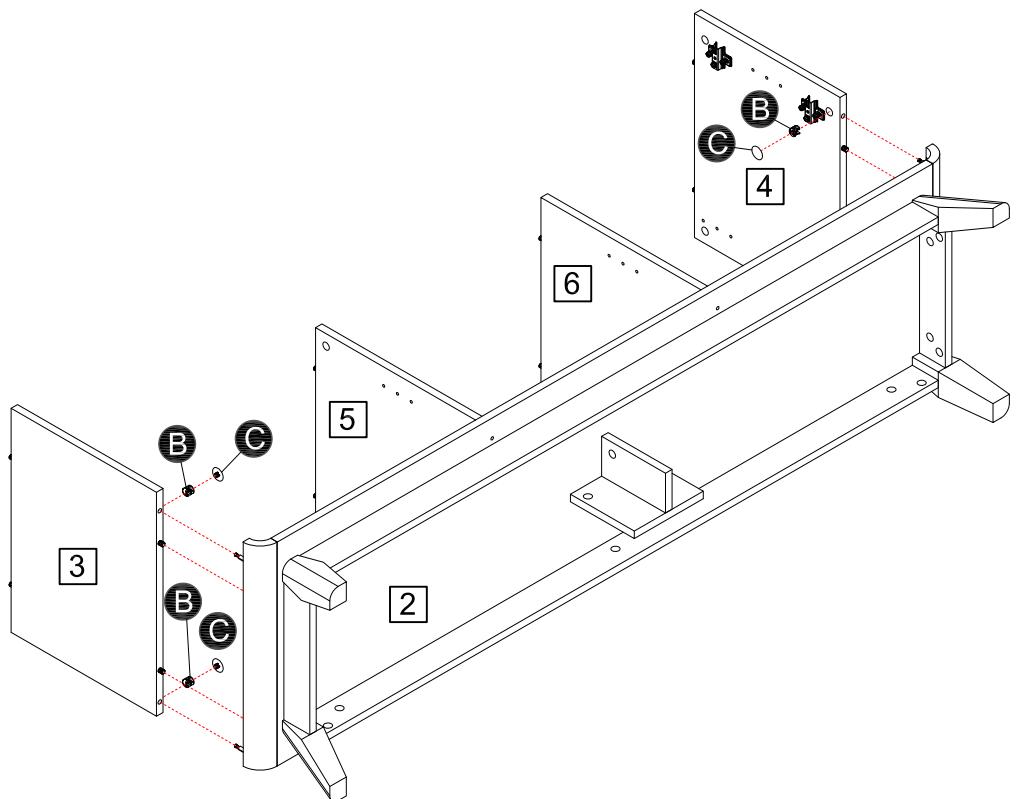


Step 10

Attaching panels

Attach bottom panel **2** onto left side panel **3** & right side panel **4**. Insert locking cams **B** into side panel **3** & **4**. Use screw driver to turn locking cams **B** clockwise to lock.

Use caps **C** to cover cams **B**.

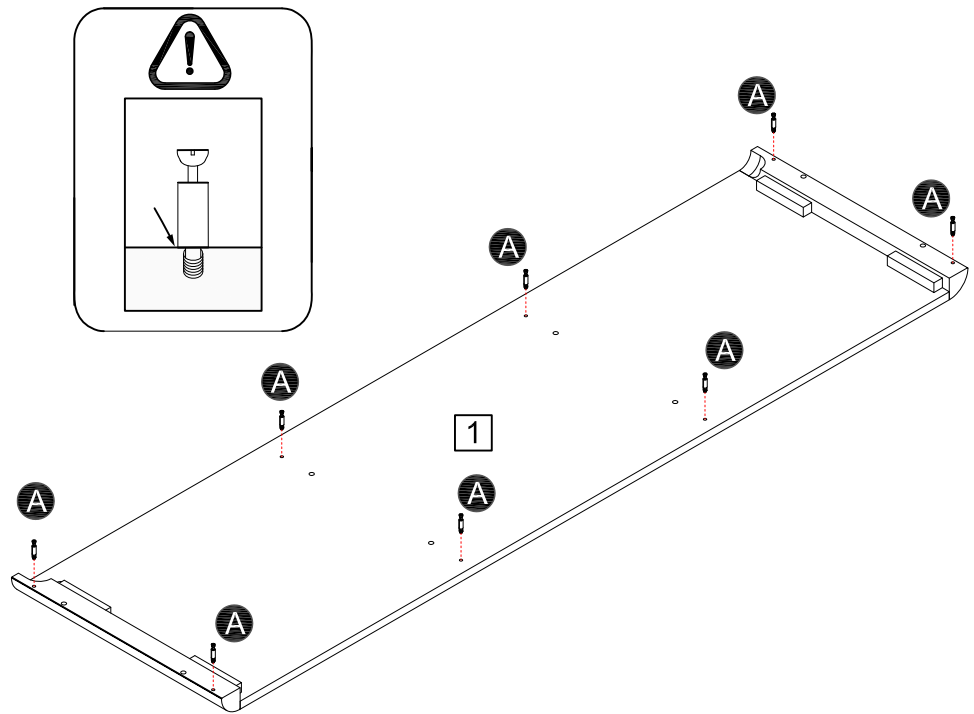


Assembly Instructions

Step 11

Fixing bolts

Fix connecting bolts **A** onto top panel **1** as shown.
Note: Insert bolts **A** as far as shown.
Do not over tighten.



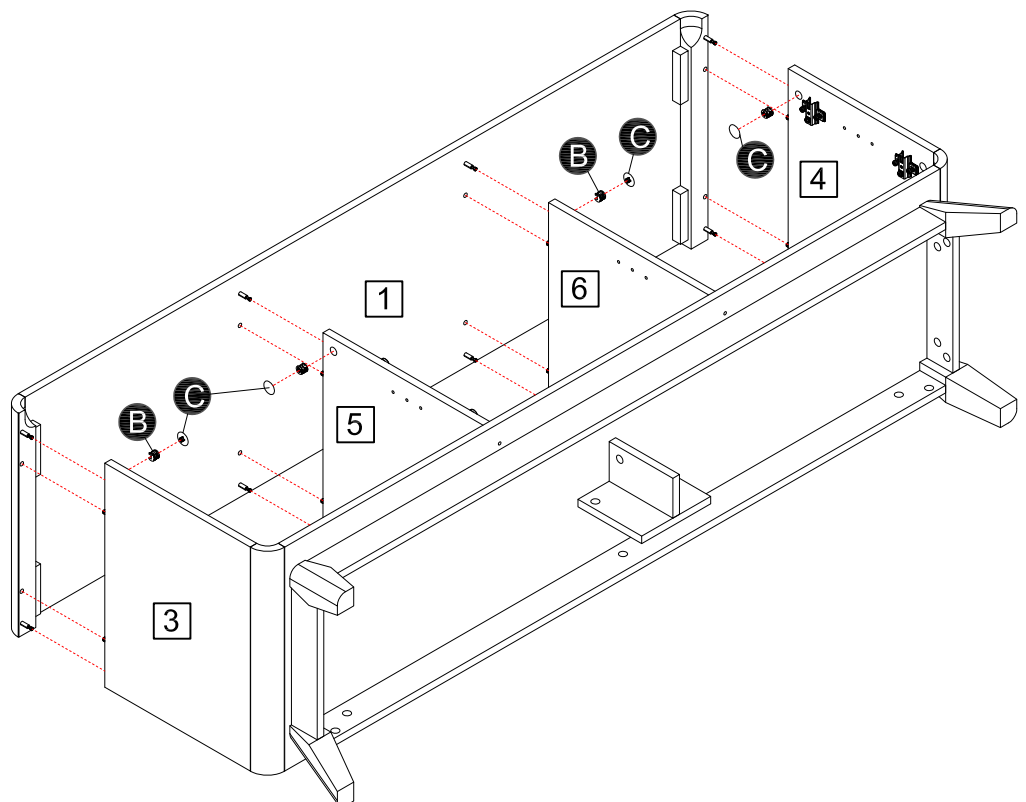
Step 12

Attaching panels

Two people are needed for this assembly.

a: Position top panel **1** onto side panel **3** & **4** and divider panel **5** & **6**.

b: Insert locking cams **B** into panel **3**, **4**, **5** & **6**.
Use screw driver to turn locking cams **B** clockwise to lock.
Use caps **C** to cover cams **B**.



Assembly Instructions

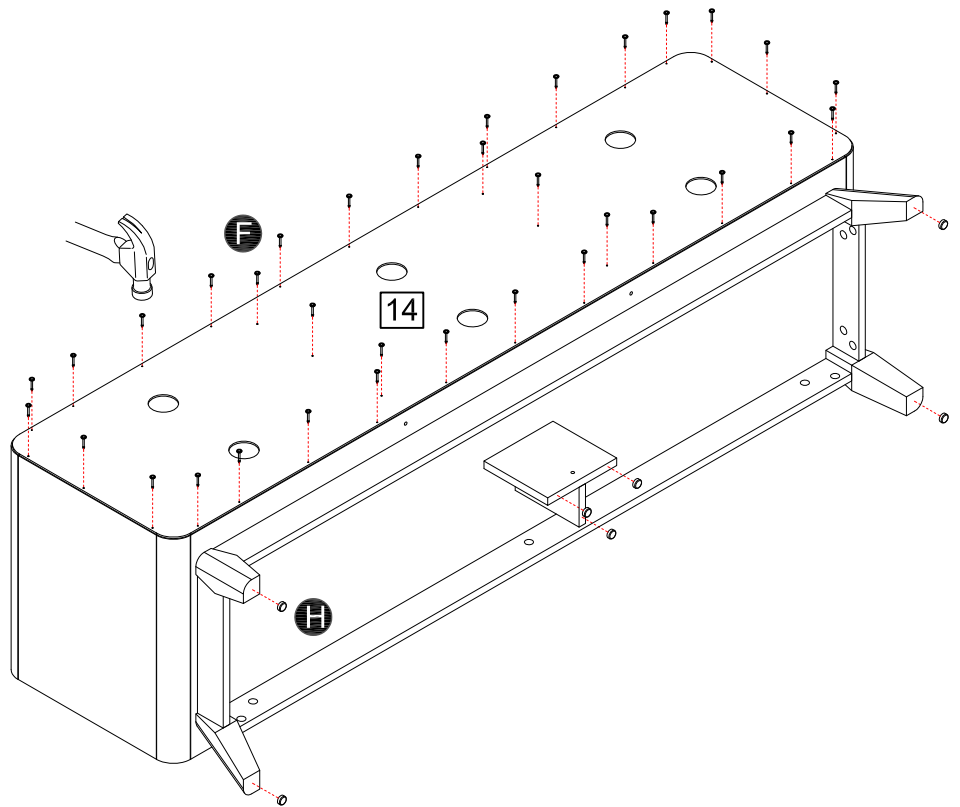
Step 13

Attaching panel

Two people are needed for this assembly.

a: Carefully turn over the frame as shown. Attach back panel **14** onto the the back of cabinet frame with nail **F**.

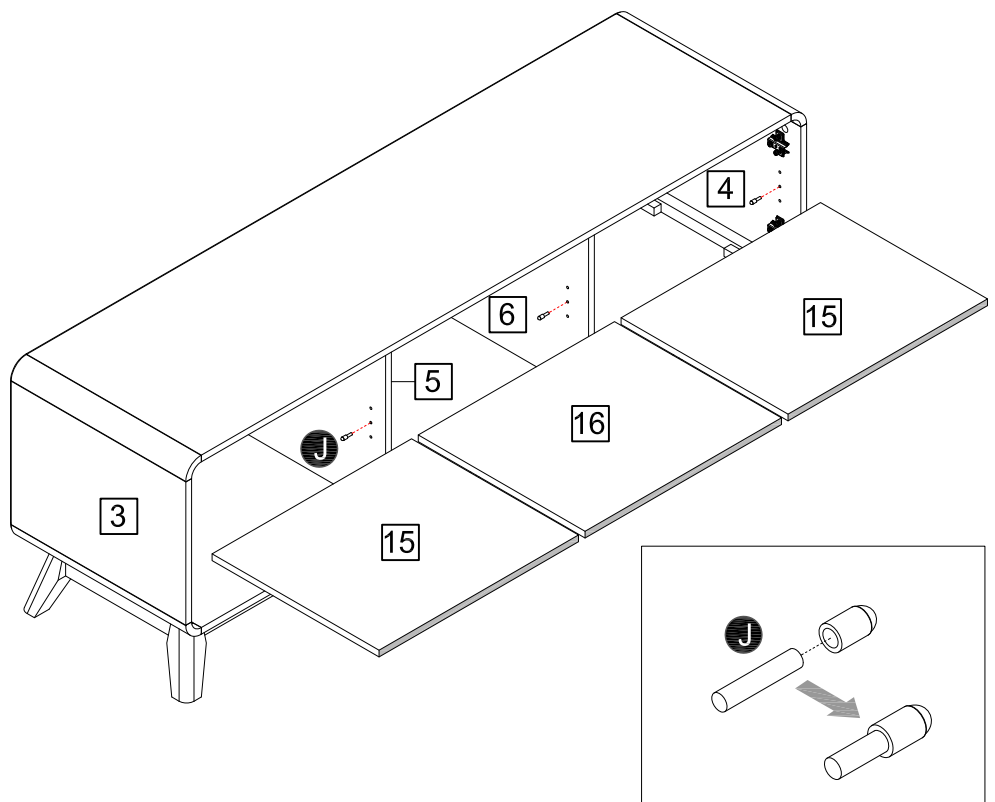
b: Paste felt feet **H** on the bottom of legs as shown.



Step 14

Attaching panels

Insert shelf pins **J** into panel **3**, **4**, **5** & **6**. Place shelf panels **15** & **16** into cabinet, letting them rest on shelf pins **J**.

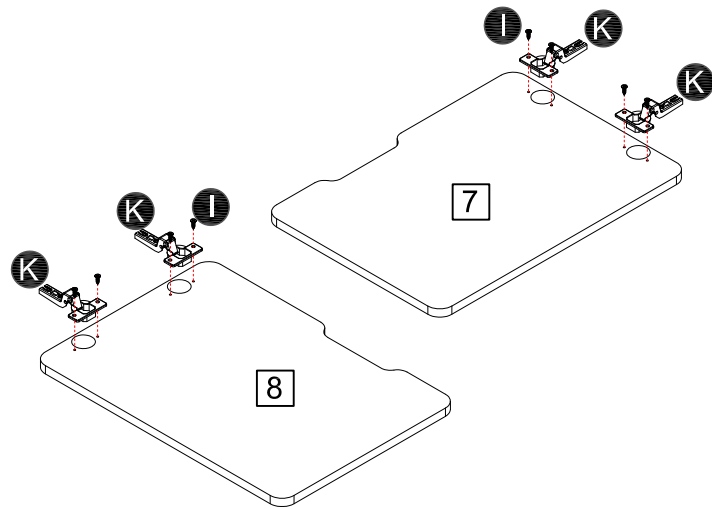


Assembly Instructions

Step 15

Fitting hinges

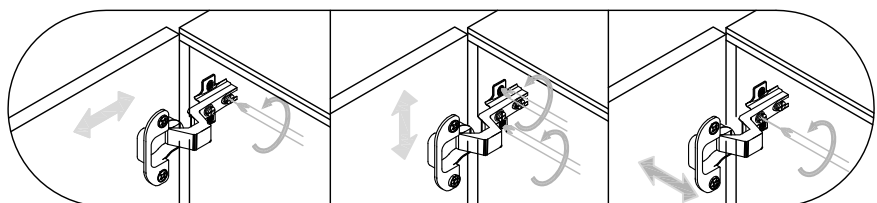
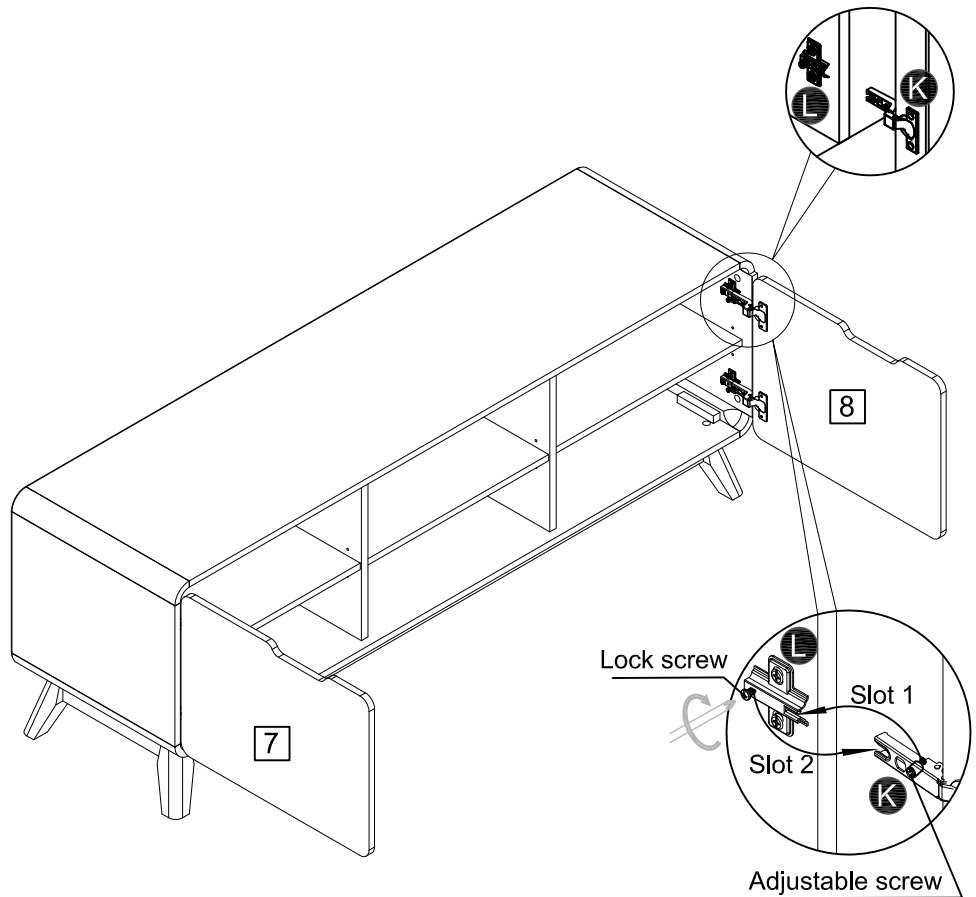
Fix side hinges **K** onto door **7** & **8** with screws **L**.



Step 16

Attach doors

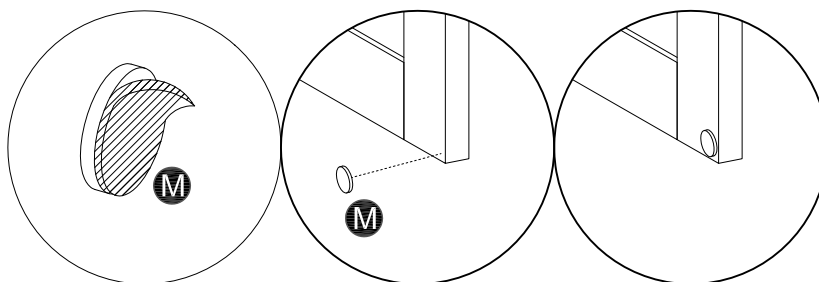
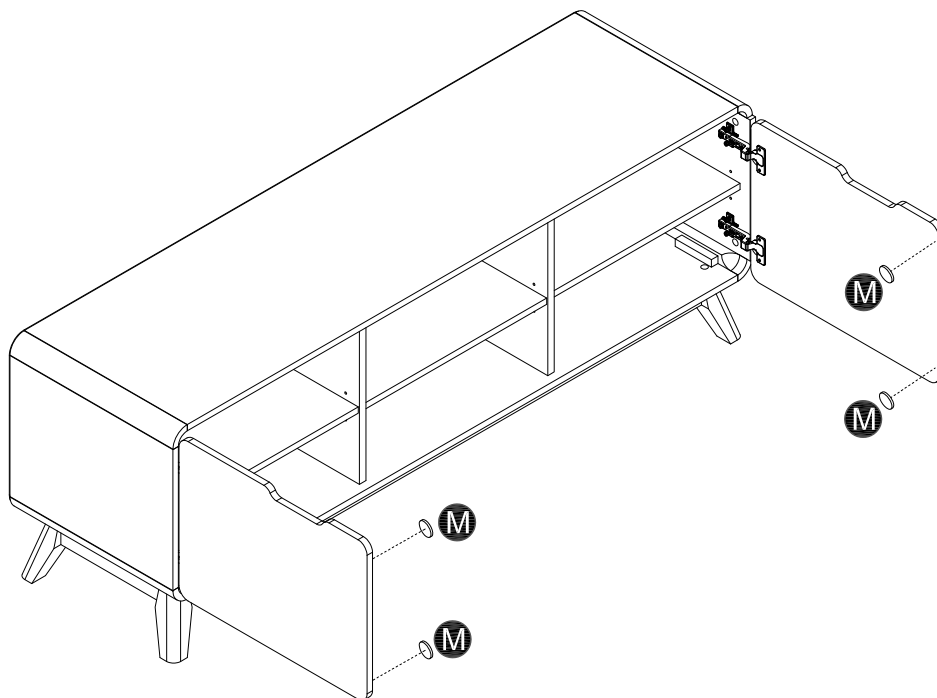
Attach doors onto cabinet as shown. Slide hinge **K** into hinge base **L**, until each adjustable screw is in slot 1 and the lock screw is in the slot 2. Tighten lock screw.



Assembly Instructions

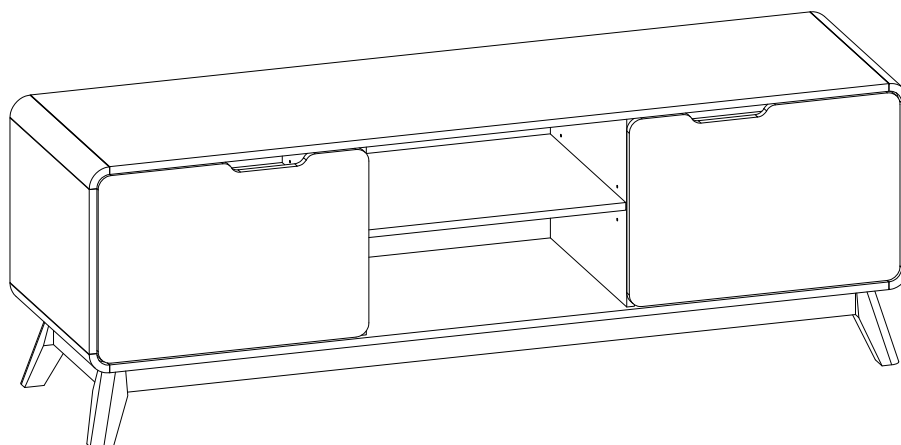
Step 17

Attaching pads
Attach pads **M** to door back.



Step 18

Assembly is complete.



If you have damaged or missing components, call the **Customer Helpline: 0845 6400800**