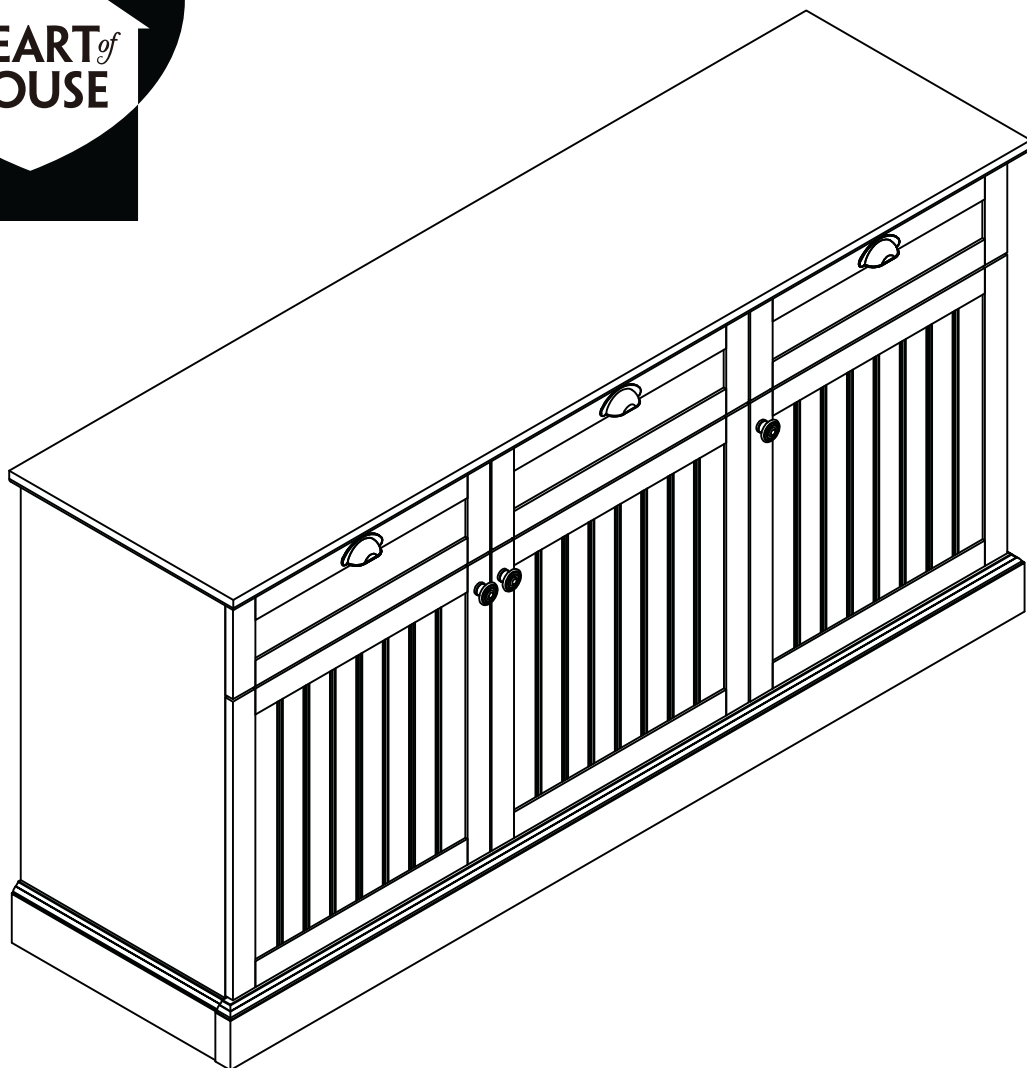


HOH Ellingham - 3 door sideboard

Assembly Instruction - Please keep for future reference

228/3870



Dimensions

Length - 160cm

Width - 45cm

Height - 82cm

Important - Please read these instruction fully before starting assembly

If you need help or have damaged or missing parts, call the **Customer Helpline:**

Argos = 0845 6400800



Safety and Care Advice

Important - Please read these instructions fully before starting assembly

- Check you have all the components and tools listed on pages 2 and 3.

- Remove all fittings from the plastic bags and separate them into their groups.

- Keep children and animals away from the work area, small parts could choke if swallowed.

- Make sure you have enough space to layout the parts before starting.

- Retain these instructions for future reference

- Do not stand or put weight on the product during assembly, this could cause damage.

- Assemble the item as close to its final position (in the same room) as possible.

- Assemble on a soft level surface to avoid damaging the unit or your floor.

- Parts of the assembly will be easier with 2 people.



- To reduce the likelihood of damaging your product please ensure that your power drill is set on a low torque setting.

Care and maintenance

- Only clean using a damp cloth and mild detergent, do not use bleach or abrasive cleaners.

- From time to time check that there are no loose screws on this unit.

- This product should not be discarded with household waste. Take to your local authority waste disposal centre.

Handy Hints

- Assemble all parts and bolts loosely during assembly, only once the product is complete should you fully tighten the bolts

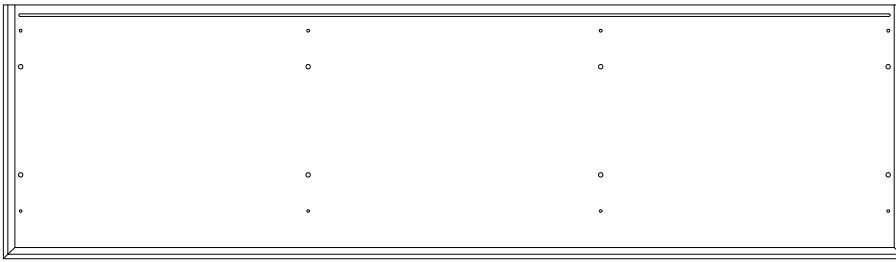
- Regularly check and ensure that all bolts and fittings are tightened properly.

Note: if required the next page can be cut out and used as reference throughout the assembly. Keep this page with these instructions for future reference.

Components - Panels

If you have damaged or missing components, call the Customer Helpline: Argos = 0845 6400800

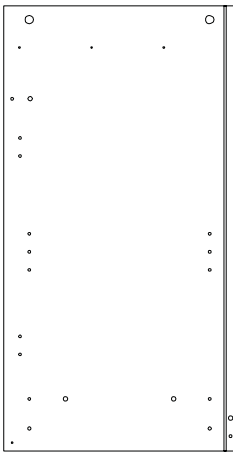
Please check you have all the panels listed below



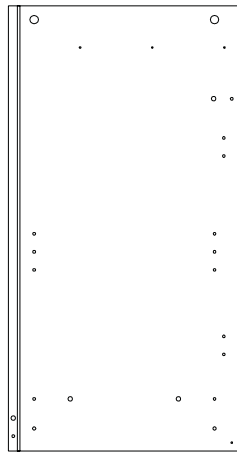
1 Top panel(160x45cm)



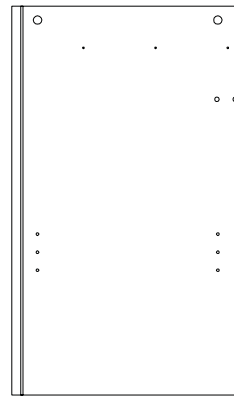
4 Side base board x 2 (41.1x10cm)



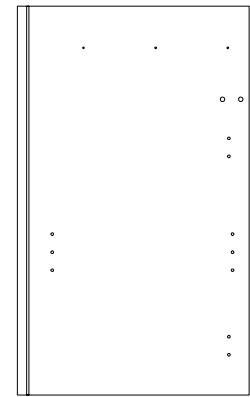
2 Left side panel (79x41.1cm)



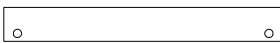
3 Right side panel (79x41.1cm)



5 Left divider panel (69x41.1cm)



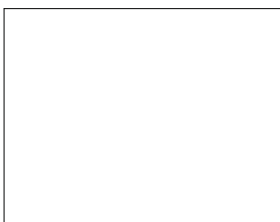
6 Right divider panel (69x41.1cm)



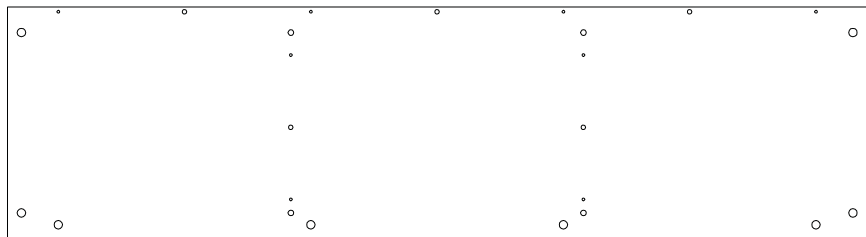
7 Front rail x 2 (49.5x6cm)



8 Central front rail (50.4x6cm)



9 Side shelf panel x2 (49.3x38.1cm)



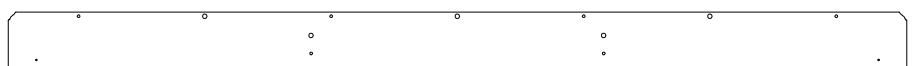
12 Bottom panel (152.4x41.1cm)



10 Central shelf panel (50.2x38.1cm)



13 Back base board (152.4x8.5cm)



14 Front base board (159.4x10cm)

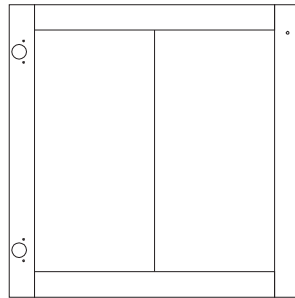


Components - Panels

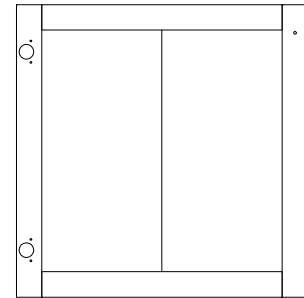
Please check you have all the panels listed below



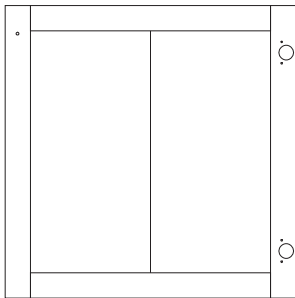
15 Central base board x 2
(39.5x8.5cm)



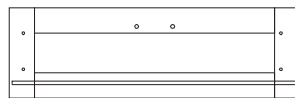
17 Central door
(51.9x51.6cm)



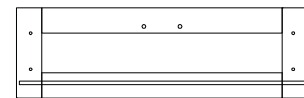
18 Right door
(51.9x51.6cm)



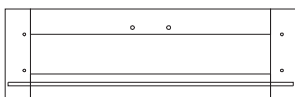
16 Left door
(51.9x51.6cm)



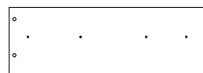
19 Drawer left front
(51.6x16cm)



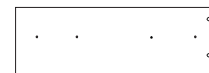
20 Drawer central front
(51.6x16cm)



21 Drawer right front
(51.6x16cm)



22 Drawer left side x 3
(35.2x12cm)



23 Drawer right side x 3
(35.2x12cm)



24 Drawer back x 2
(44.5x11.9cm)



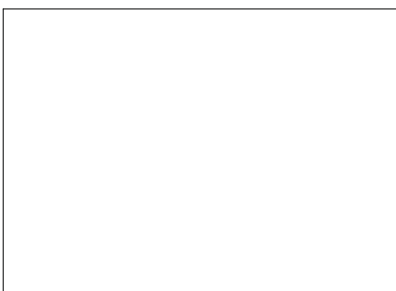
26 Drawer bottom x 2
(45.6x34.8cm)



27 Drawer central bottom
(46.5x34.8cm)



25 Drawer central back
(45.4x11.9cm)



28 Back panel x 2
(70.1x50.5cm)



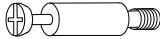


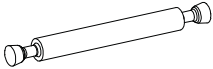
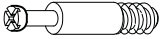




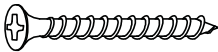
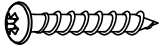
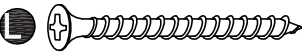





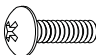




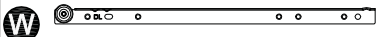
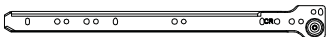
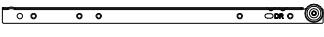

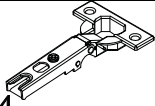


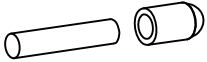

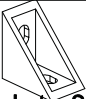





11 Central back panel
(70.1x51.3cm)



Components - Fittings

Please check you have all the fittings listed below

Note: The quantities below are the correct amount to complete the assembly. In some cases more fittings may be supplied than are required.

<p>A  Ø7x33mm Connecting bolt x 32</p>	<p>B  Ø15x12mm Locking cam x 36</p>	<p>C  Ø16x3mm Cap x 12</p>
<p>D  Ø7x67mm Double head connecting bolt x 2</p>	<p>E  Ø6.5x33mm Short connecting bolt x 12</p>	<p>F  Ø15x10mm Small locking cam x 12</p>
<p>G  Ø8x30mm Wooden dowel x 32</p>	<p>H  Ø8x20mm Short wooden dowel x 4</p>	<p>I  Ø8x55mm Long wooden dowel x 2</p>
<p>J  Ø5x38mm Screw x 12</p>	<p>K  Ø4x28mm Screw x 6</p>	<p>L  Ø5x50mm Screw x 4</p>
<p>M  Black Ø3.5x12mm Screw x 36</p>	<p>N  White Ø3.5x12mm Screw x 12</p>	<p>O  Ø4x12mm Screw x 6</p>
<p>P  Ø3.5x12mm Screw x 4</p>	<p>Q  Ø3.5x16mm Screw x 12</p>	<p>R  M4x12 Screw x 6</p>
<p>S  M4x22mm Screw x 3</p>	<p>T  80x32mm Handle x 3</p>	<p>U  Ø33mm Knob x 3</p>
<p>V  350mm Runner LT/F x 3</p>	<p>W  350mm Runner LT/M x 3</p>	<p>X  350mm Runner RT/F x 3</p>
<p>Y  350mm Runner RT/M x 3</p>	<p>Z  Side hinge base x 4</p>	<p>AA  Side hinge x 4</p>
<p>BB  Central hinge base x 2</p>	<p>CC  Central hinge x 2</p>	<p>DD  Shelf pin x 12</p>
<p>EE  Rear panel connector x 12</p>	<p>FF  Plastic bracket x 2</p>	<p>GG  Ø20mm Felt feet x 10</p>
<p>HH  Ø6x29mm Wall plug (for solid wall only) x 2</p>	<p>JJ  Wall strap x 2</p>	<p>KK  Ø5x12mm Screw x 2</p>
<p>LL  Ø8x1mm Pad x 12</p>		



Components - Fittings

Please check you have all the fittings listed below

Note: The quantities below are the correct amount to complete the assembly. In some cases more fittings may be supplied than are required.

Tools required



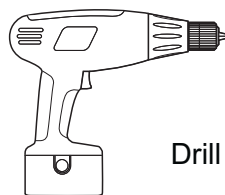
Phillips screwdriver
(medium & large)



Flatblade screwdriver
(medium)



7mm Suitable drill bit
(for use with wall plug)



Drill



Small
hammer

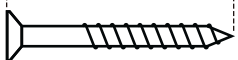
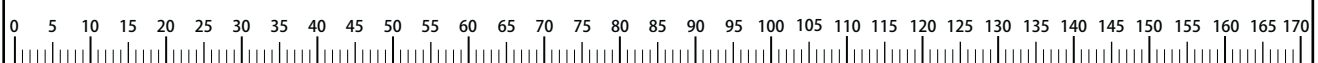


Ruler/tape
measure



Eye protection
(when using a
hammer or glue)

Ruler - Use this ruler to help correctly identify the screws



The screws length is measured from the head to the point (30mm screw shown).

Assembly Instructions

Step 1

Fixing fittings on left divider **5**.

a: Fix runner RT/F **X** with screws **M**.

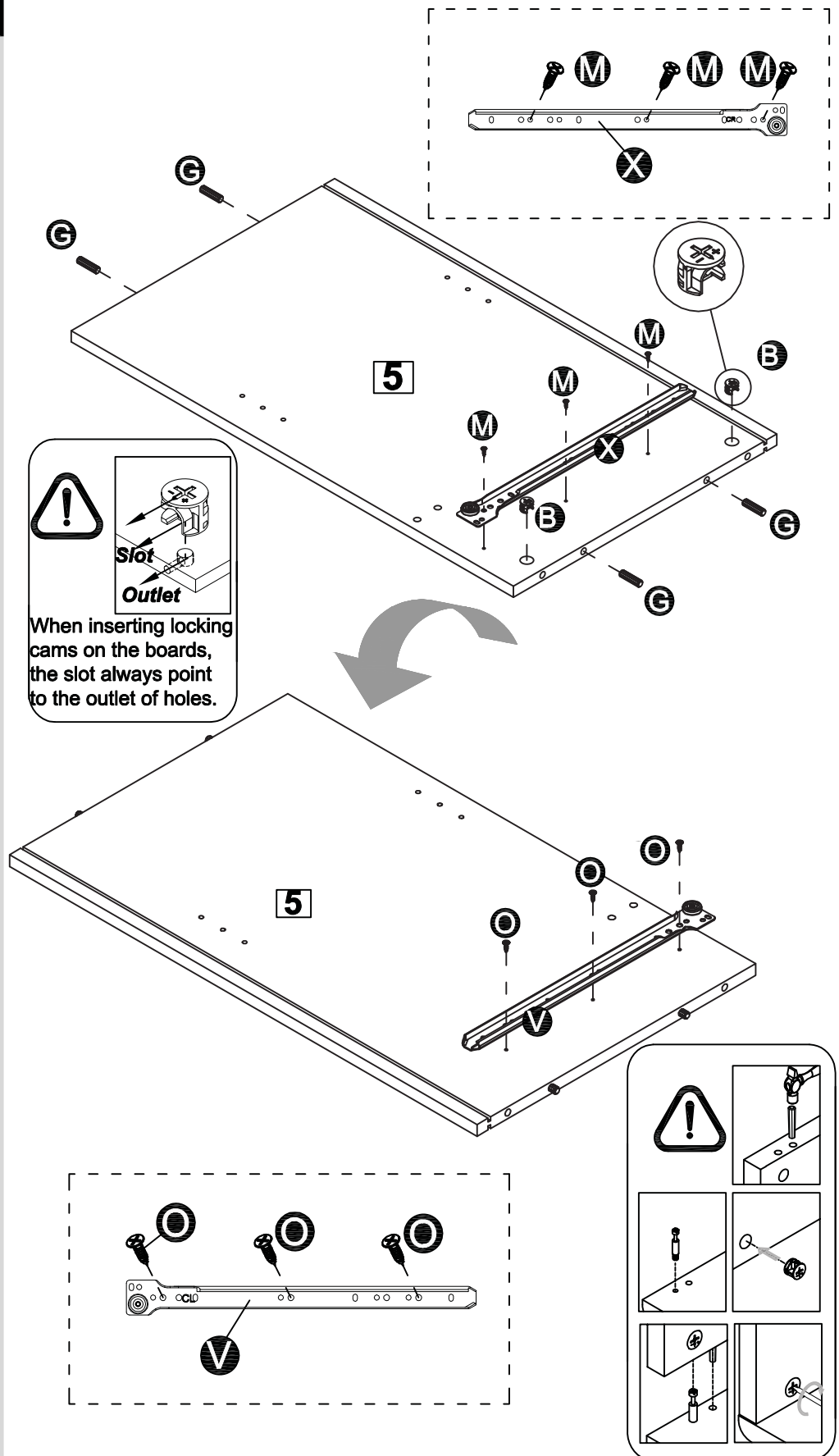
Note: Follow the hole positions as shown.

b: Insert wooden dowels **G** and locking cams **B** as shown.

Note: The slot position of locking cams **B** should be as shown.

c: Fix runner LT/F **V** with screws **O** on the other side of left divider panel **5**.

Note: Follow the hole positions as shown.



Assembly Instructions

Step 2

Fixing fittings on right divider 6 .

a: Fix runner LT/F **V** with screws **M** .

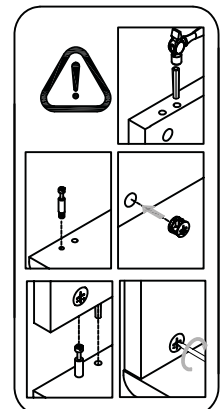
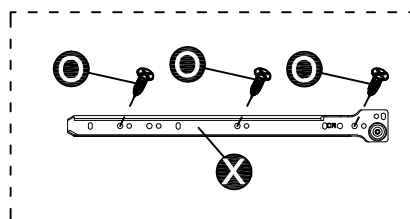
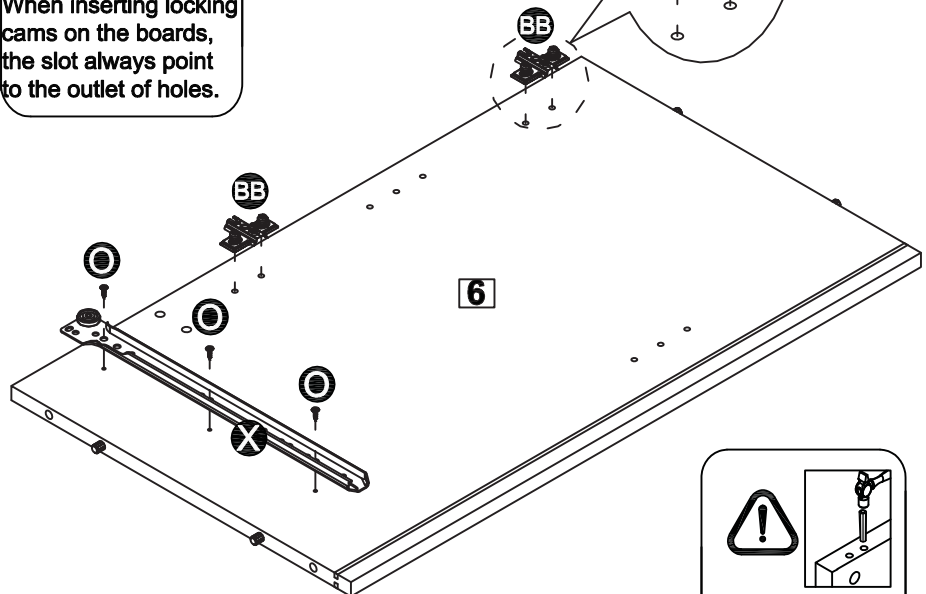
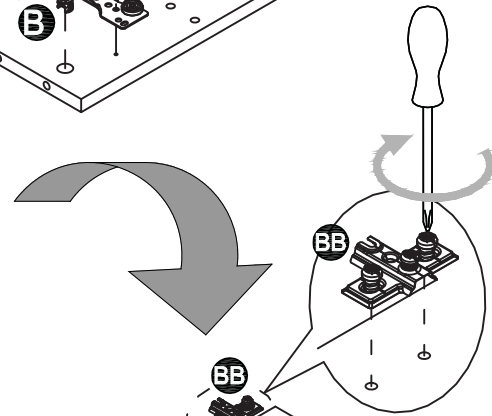
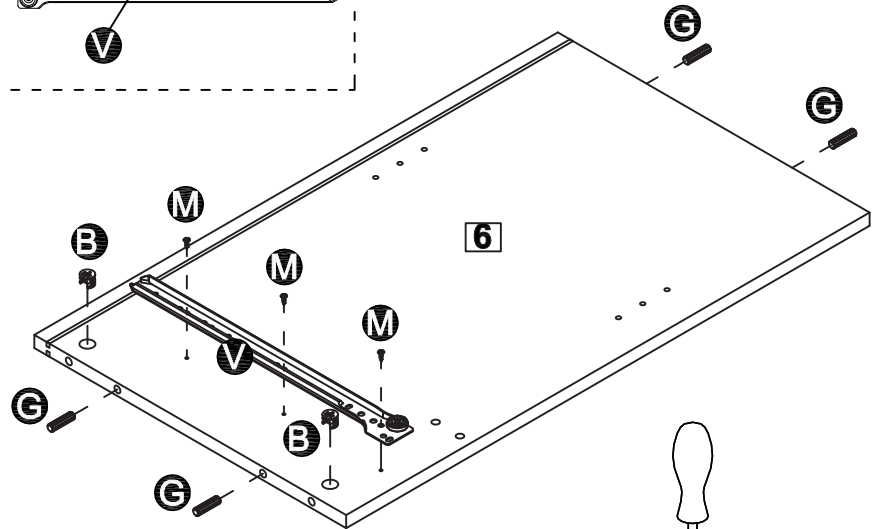
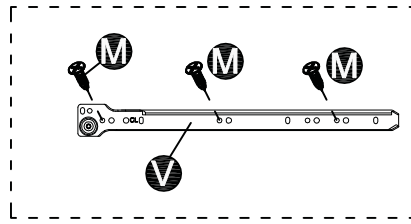
Note: Follow the hole positions as shown.

b: Insert wooden dowels **G** and locking cams **B** as shown.

Note: The slot position of locking cams **B** should be as shown.

c: Fix runner RT/F **X** with screws **O** on the other side of right divider panel **6** .

Note: Follow the hole positions as shown.

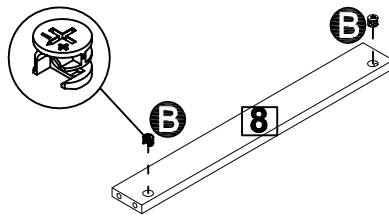


Assembly Instructions

Step 3

Fitting cams

Insert locking cams **B** into front rail **8** .
Note: The slot position of locking cams **B** should as shown.



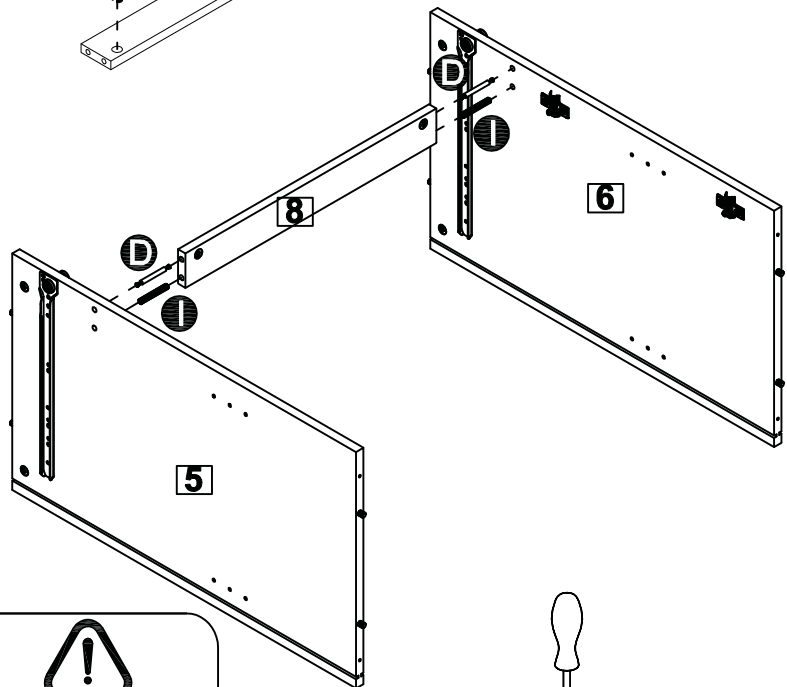
Step 4

Attaching panels

Two people are needed for this assembly.

Position central front rail **8** into dividers **5** & **6** with double connecting bolt **D** and long wooden dowels **L** .

Use screw driver to turn locking cams **B** 90 degrees lockwise to secure bolt **D** .



Step 5

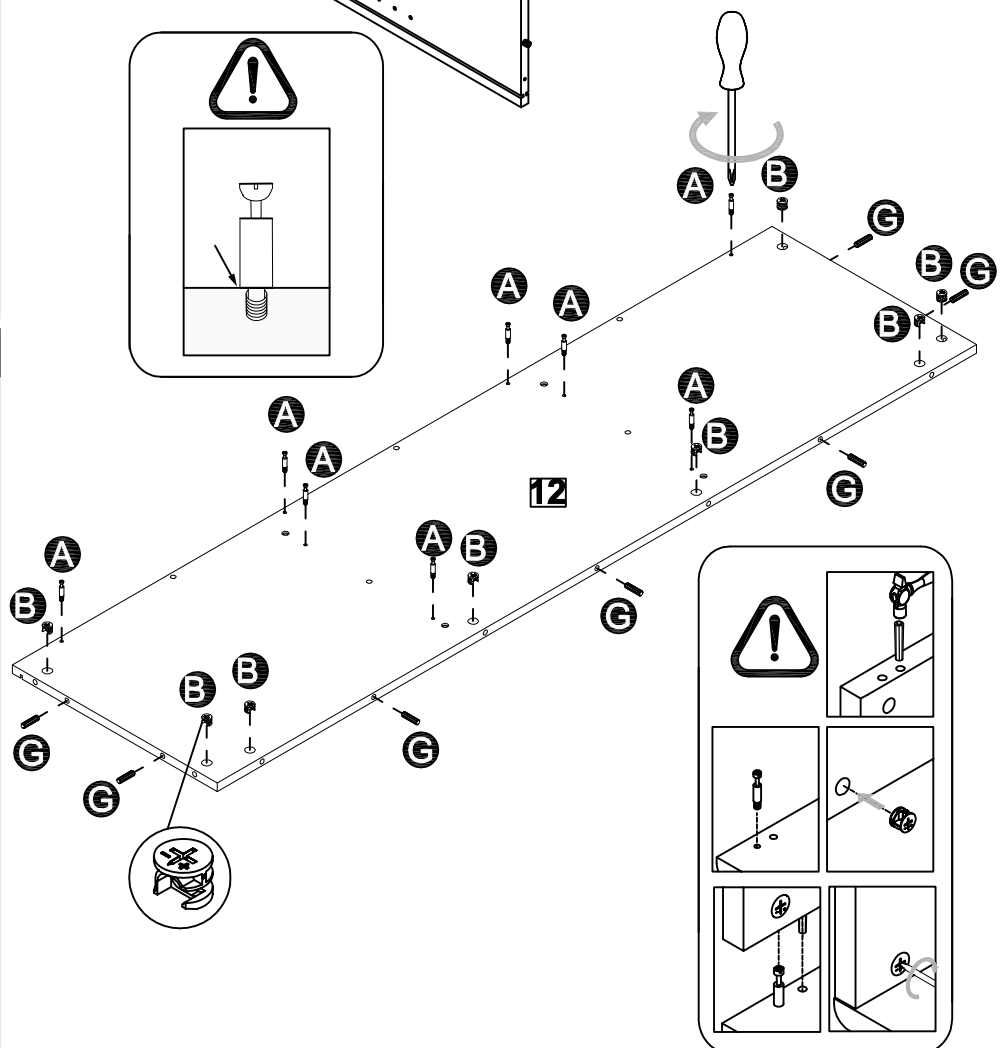
Fixing fittings on bottom panel **12** .

a: Fix connecting bolts **A** .

Note: Insert bolt **A** as far as shown.

Do not over tighten.
b: Insert wooden dowels **G** and locking cams **B** as shown.

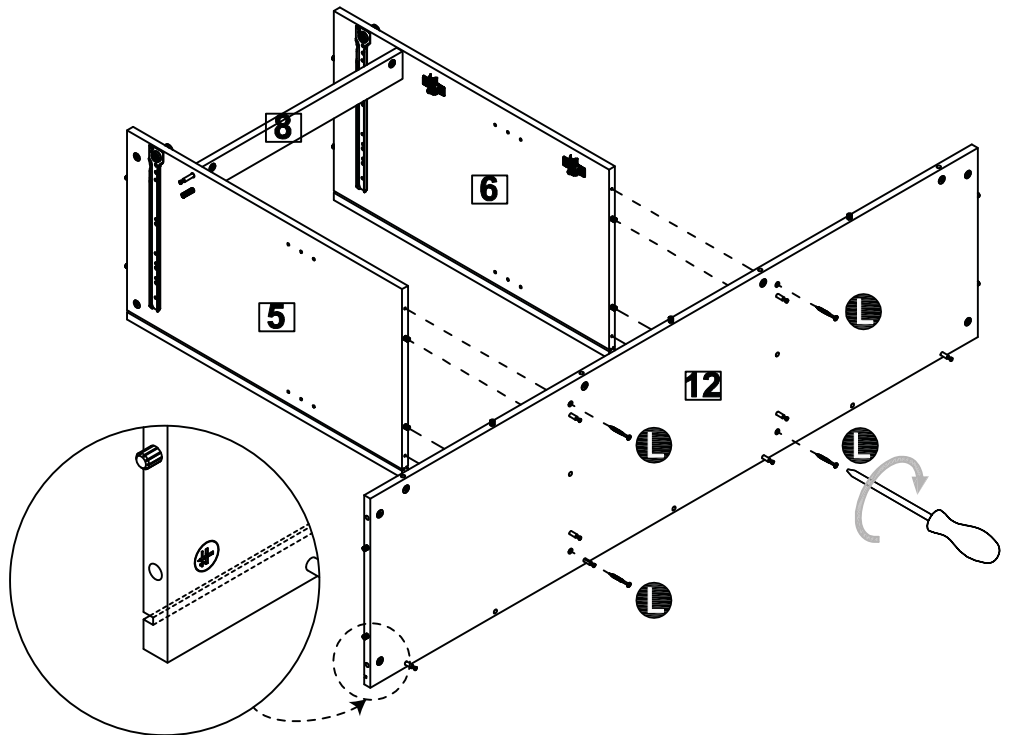
Note: The slot position of locking cams **B** should be as shown.



Assembly Instructions

Step 6

Attaching panels
Attach bottom panel **12** onto left divider **5** & right divider **6** with screws **L** using screw driver.



Step 7

Fixing fittings on back base board

13.

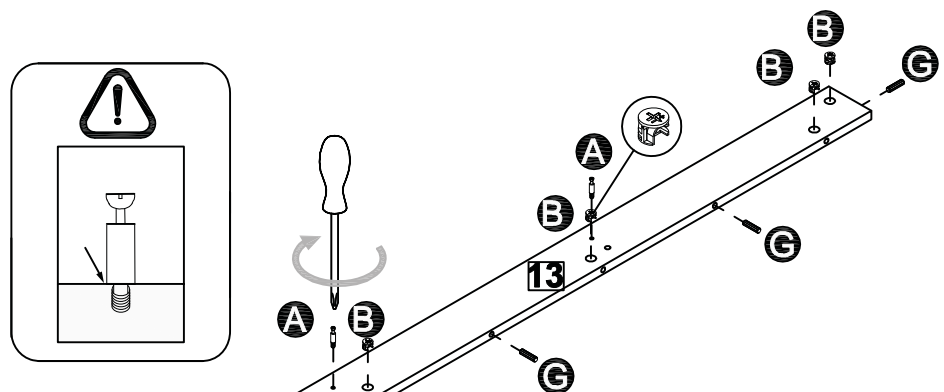
a: Fix connecting bolts **A**.

Note: Insert bolt **A** as far as shown.

Do not over tighten.

b: Insert wooden dowels **G** and locking cams **B** as shown.

Note: The slot position of locking cams **B** should be as shown.

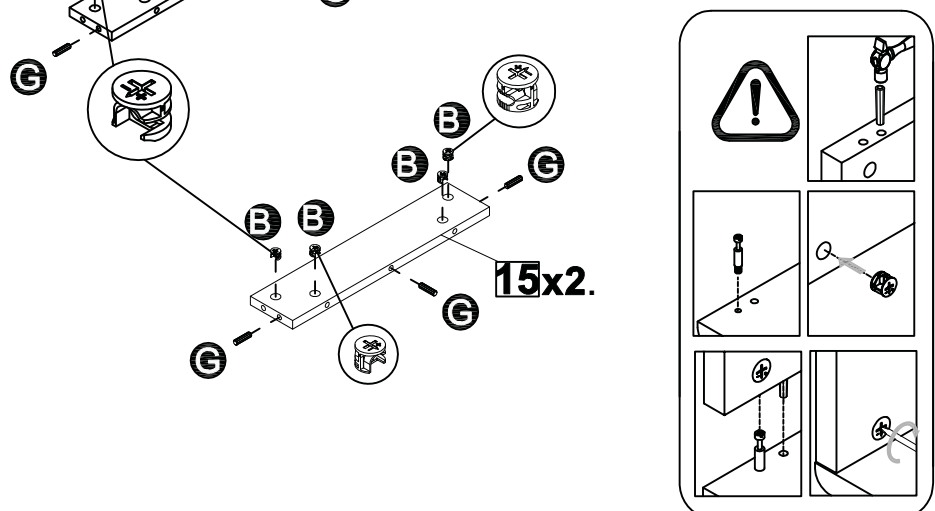


Step 8

Fitting dowels on central base board

Insert wooden dowels **G** and locking cams **B** as shown.

Note: The slot position of locking cams **B** should be as shown.

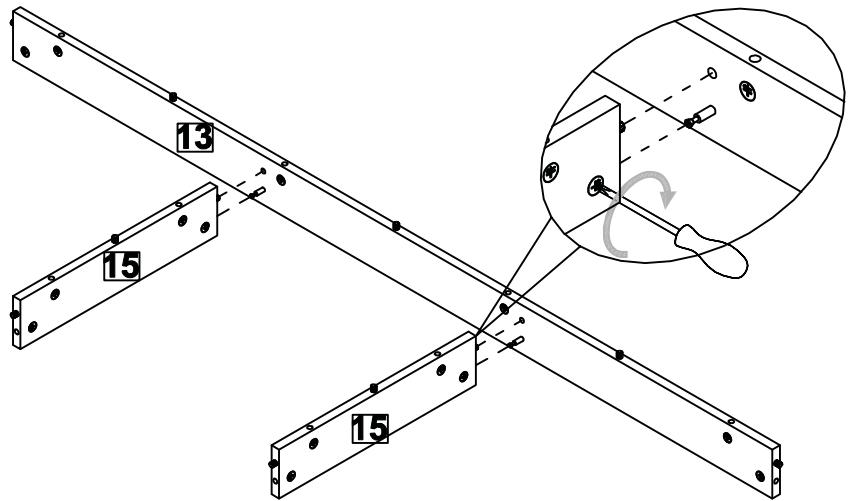


Assembly Instructions

Step 9

Attaching panels

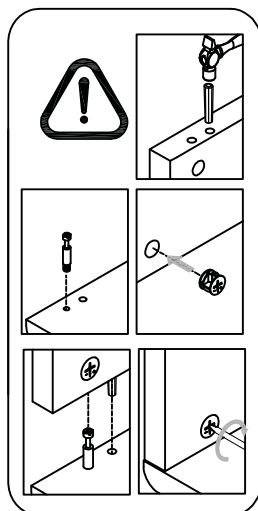
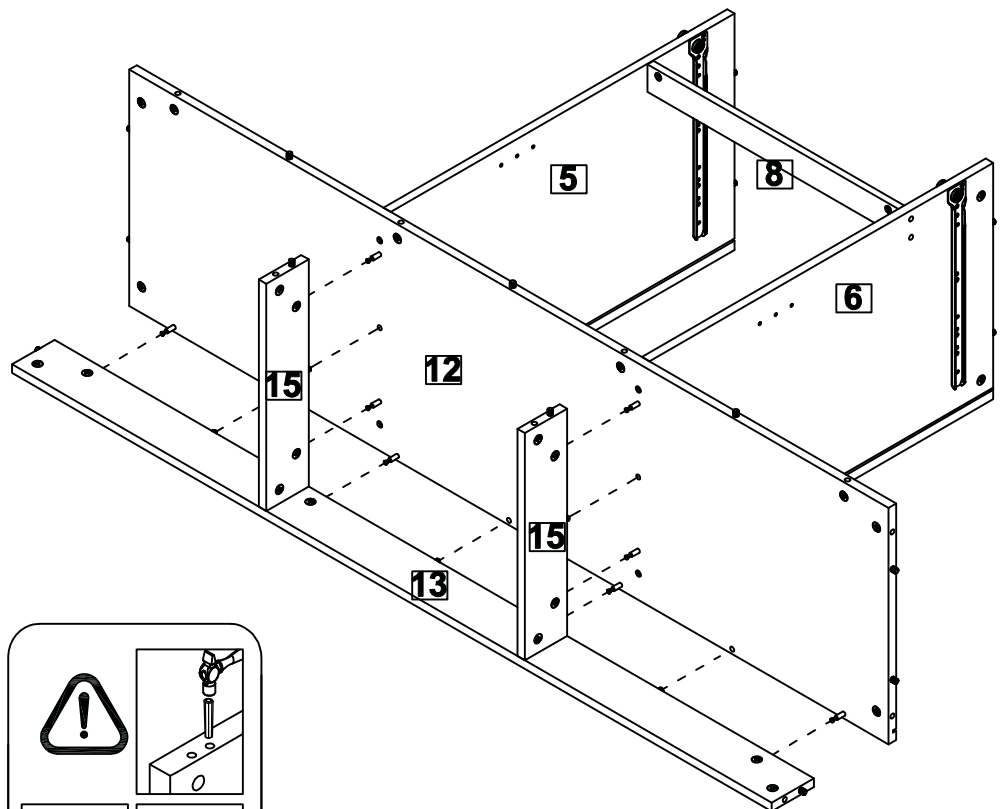
Position central base boards **15** onto back base board **13** as shown. Use screw driver to turn locking cams **B** clockwise to lock.



Step 10

Attaching panels

Position central base boards **15** & back base board **13** onto bottom panel **12**. Use screw driver to turn locking cams **B** clockwise to lock.



Assembly Instructions

Step 11

Fixing fittings on left side panel 2.

a: Fix runner LT/F **V** with screws **M** as shown.

b: Fix side hinge base **Z** as shown, slot point outward.

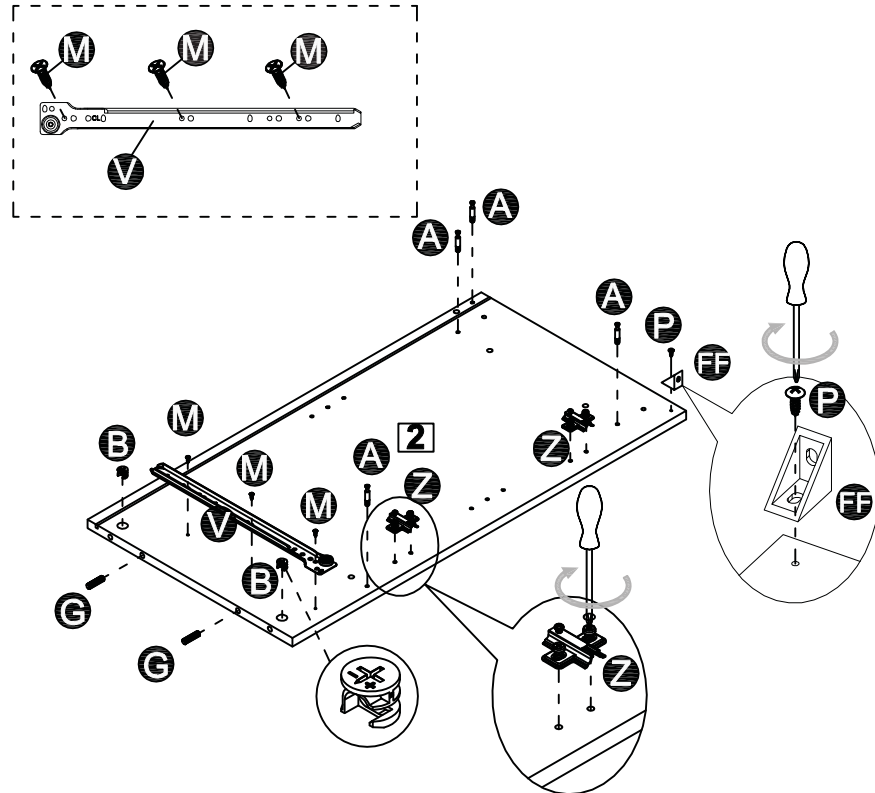
c: Fix connecting bolts **A**.

Note: Insert bolt **A** as far as shown.

Do not over tighten.
d: Insert wooden dowels **G** and locking cams **B**.

Note: The slot position of locking cams **B** should be as shown.

e: Fix plastic bracket **F** with screw **P**.



Step 12

Attaching panels

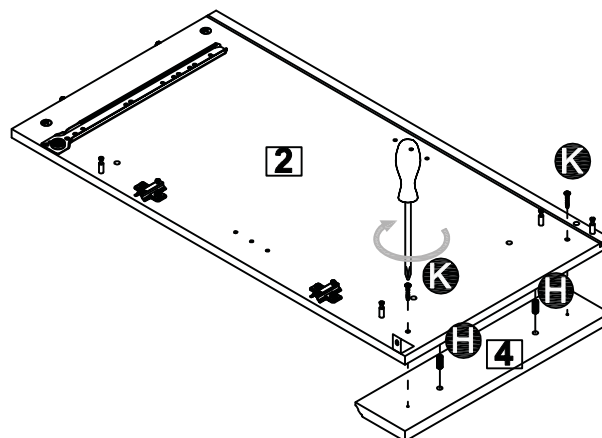
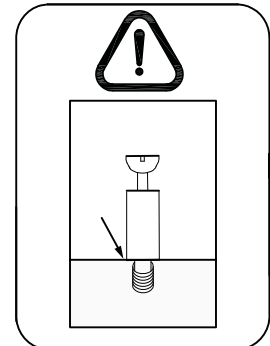
a: Insert short wooden dowels **H** into side base board **4**.

b: Attach side base board **4** onto left side panel **2** with screws **K**.

Note: The slot position of locking cams **B** should be as shown.



When inserting locking cams on the boards, the slot always point to the outlet of holes.

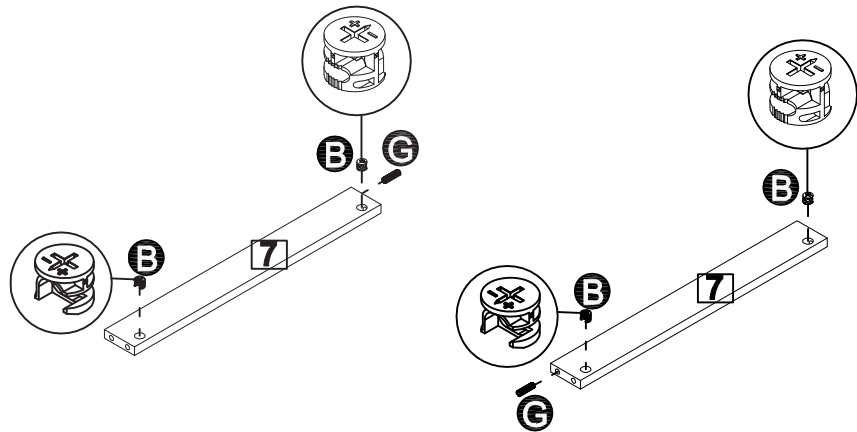


Assembly Instructions

Step 13

Insert wooden dowels **G** and locking cams **B** to front rails **7** as shown.

Note: The slot position of locking cams **B** should as shown.



Step 14

Attaching panels

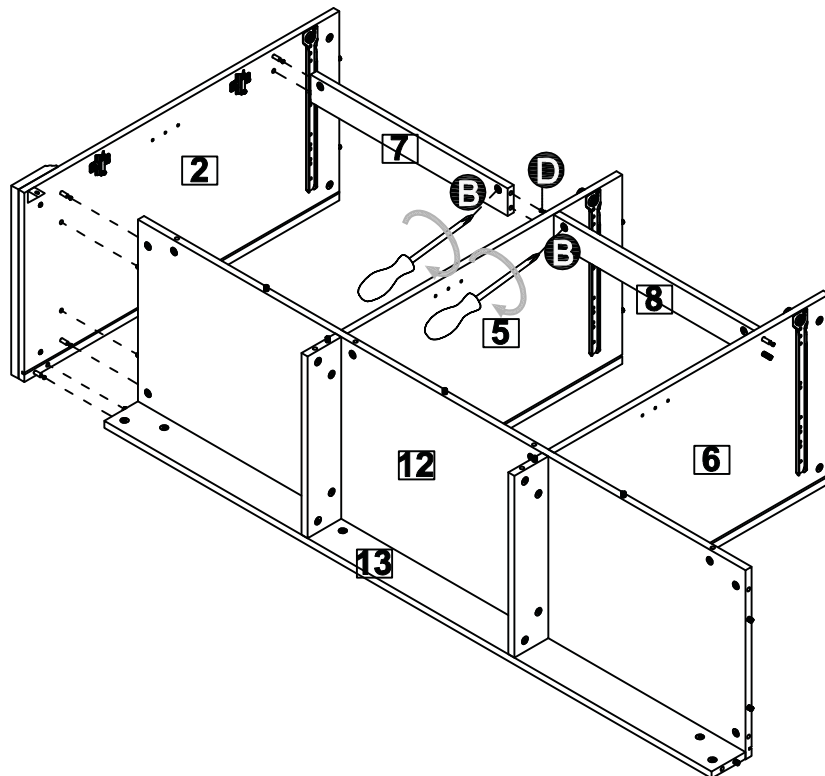
Two people are needed for this assembly.

a: Position front rail **7** onto left divider **5**.

Use screw driver to turn both cams **B** 90 degrees clockwise to secure bolt **D**, then fully turn both cams **B** clockwise to lock.

b: Position left side panel **2** onto bottom panel **12** & back base board **13** and front rail **7** at same time.

Use screw driver to turn locking cams **B** clockwise to lock.



Assembly Instructions

Step 15

Fixing fittings on right side panel 3.

a: Fix runner RT/F X with screws M.

Note: Follow the hole positions as shown.

b: Fix side hinge base Z, slot point outward.

c: Fix connecting bolts A.

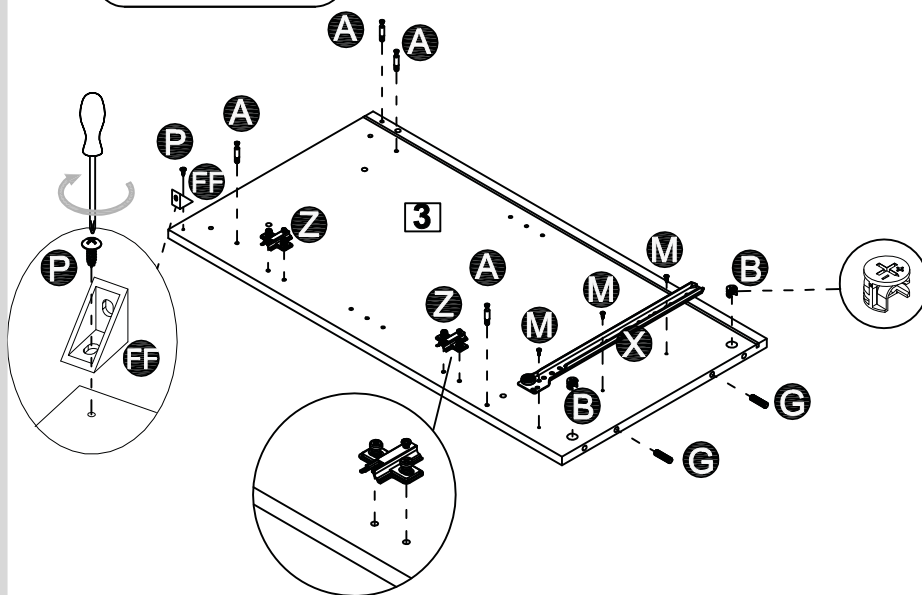
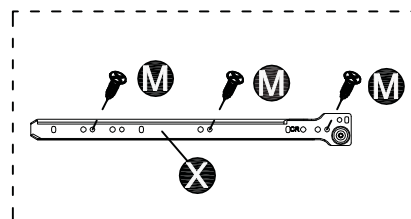
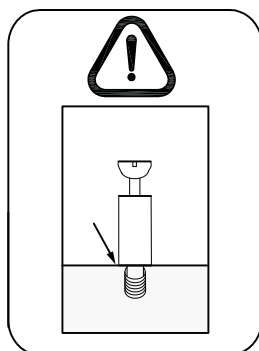
Note: Insert bolt A as far as shown.

Do not over tighten.

d: Insert wooden dowels G and locking cams B as shown.

Note: The slot position of locking cams B should be as shown.

e: Fix plastic bracket FF with screw P.



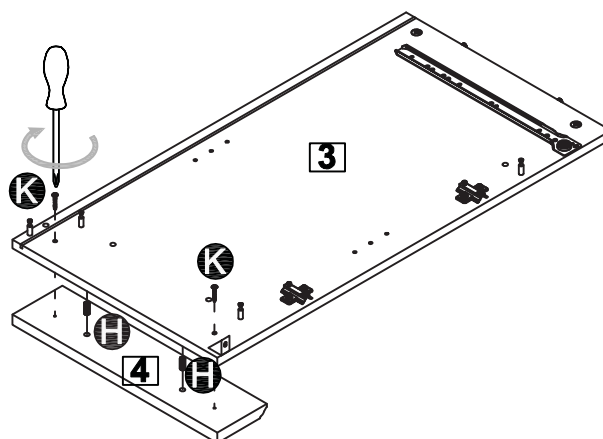
Step 16

Attaching panels

a: Insert short wooden dowels H into side base board 4.

b: Attach side base board 4 onto right side panel 3 with screws K.

Note: The slot position of locking cams B should be as shown.



Assembly Instructions

Step 17

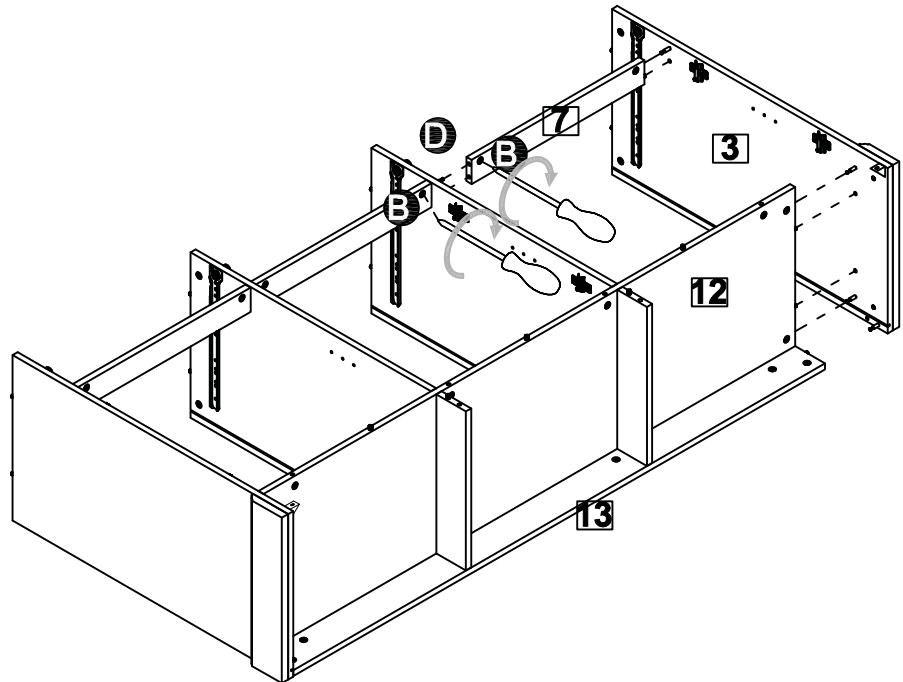
Attaching panels

Two people are needed for this assembly.

a: Position side front rail **7** onto right divider **6**.

Use screw driver to turn cam **B** 90 degrees clockwise to secure bolt **D**, then fully turn both cams **B** clockwise to lock.

b: Position right side panel **3** onto bottom panel **12** & back base board **13** and side front rail **7** at same time use screw driver to turn locking cams **B** clockwise to lock.

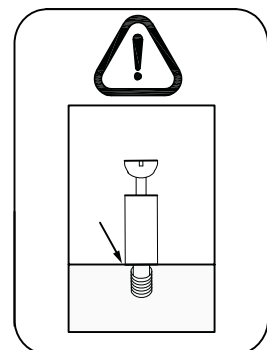
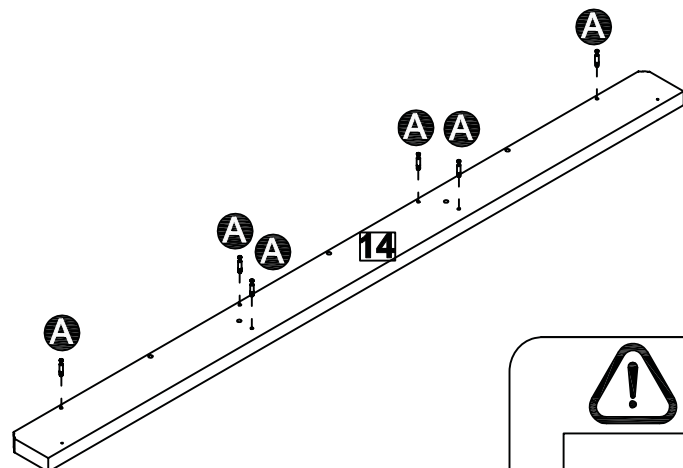


Step 18

Fitting bolts

Fix connecting bolts **A** on front base board **14**.

Note: Insert bolt **A** as far as shown. Do not over tighten.



Assembly Instructions

Step 19

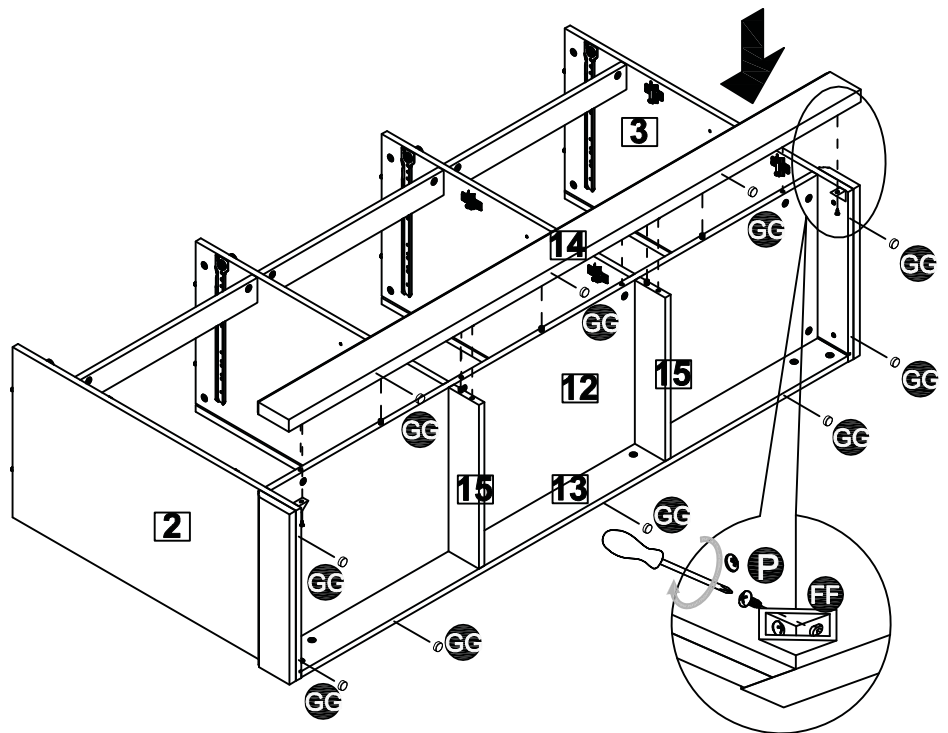
Attaching panels

a. Position front base board **14** onto bottom panel **12** & central base boards **15**.

Use screw driver to turn locking cams **B** clockwise to lock.

b. Use screw **P** to fix plastic bracket **FF** onto front base board **14**.

c. Paste Felt feet **GG** on bottom edge of side panels **2** & **3** and base board **14** & **13** as shown.



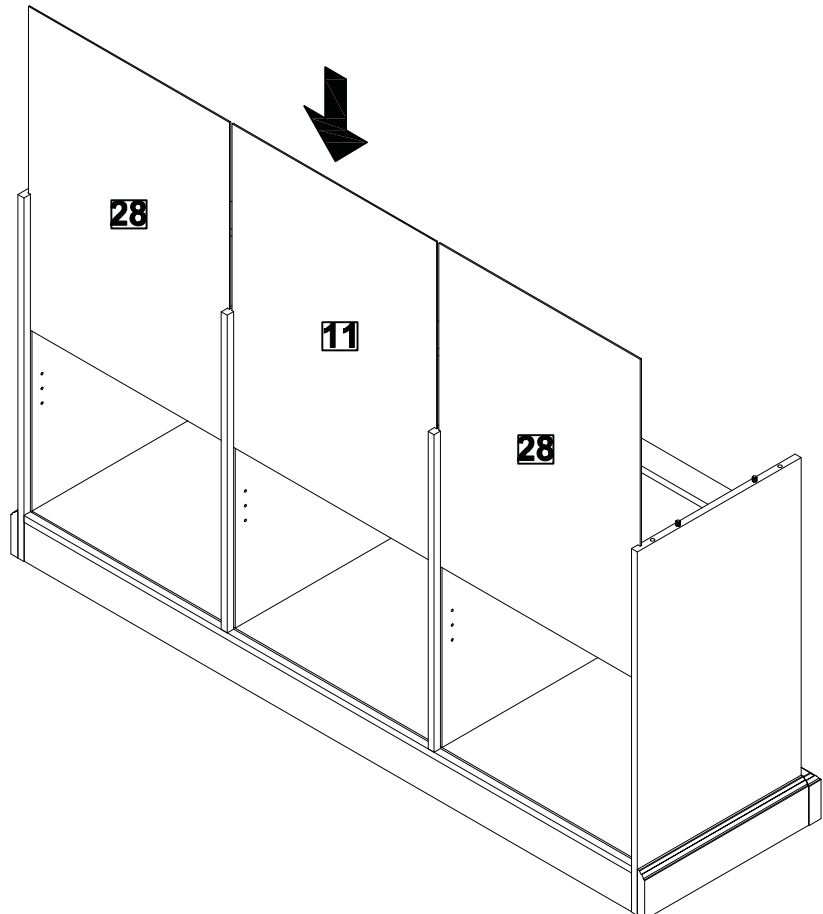
Step 20

Attaching panels

Two people are needed for this assembly.

Carefully turn the cabinet frame up as shown.

Insert back panels **28** and central back panel **11** into grooves as shown.



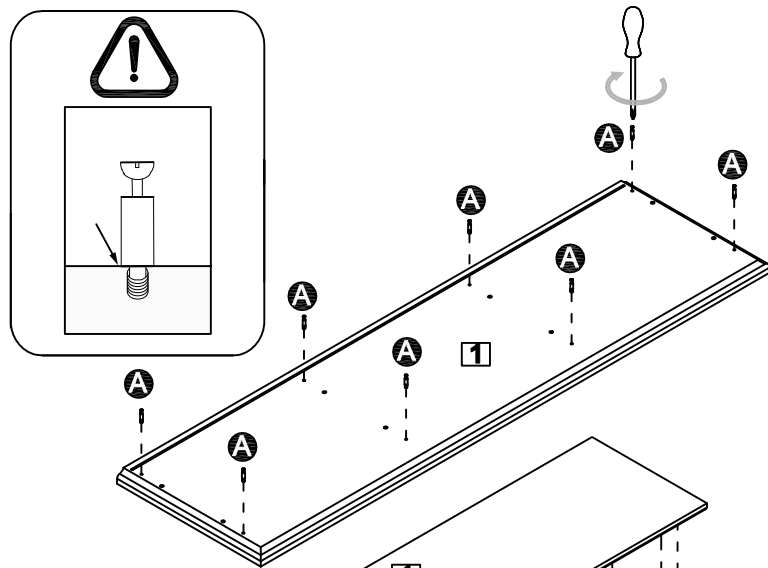
Assembly Instructions

Step 21

Fitting bolts

Fix connecting bolts **A** onto top panel **1** as shown

Note: Insert bolt **A** as far as shown. Do not over tighten.



Step 22

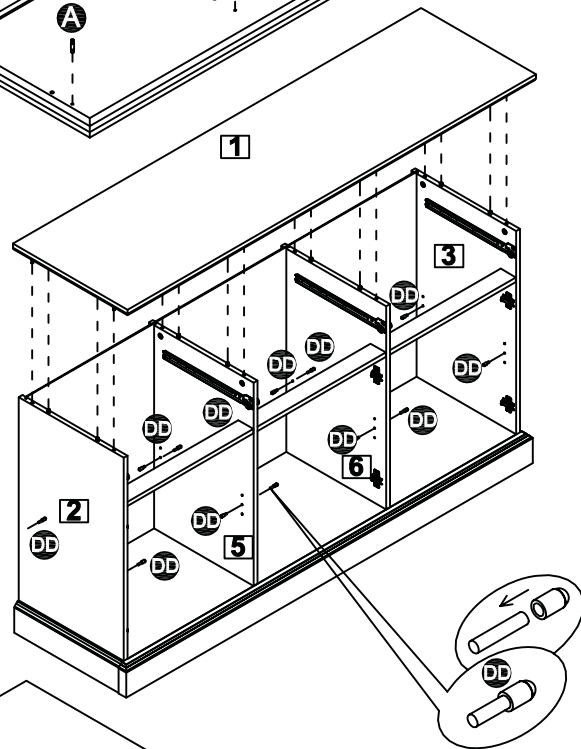
Attaching panels

Two people are needed for this assembly.

a. Position top panel **1** onto side panel **2** & **3** and divider panel **5** & **6**.

Use screw driver to turn locking cams **B** clockwise to lock.

Insert shelf pins **DD** into side panels **2** & **3** and divider panels **5** & **6** as shown.

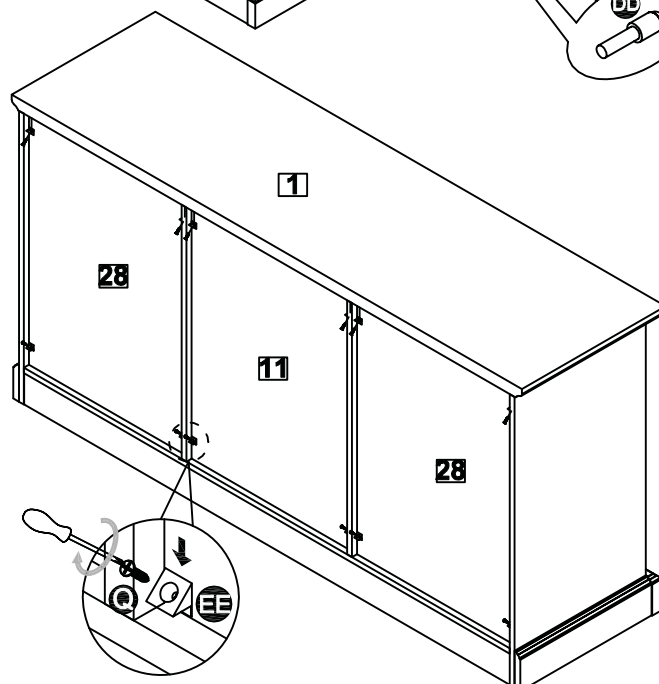


Step 23

Fixing rear panel connectors

Fix rear panel connectors **EE** with screws **C** as shown.

Note: Maintain the cabinet alignment when fixing **EE**.



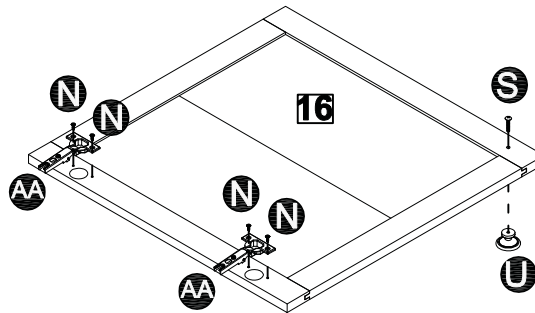
Assembly Instructions

Step 24

Fixing hinges & knobs

Fix side hinges **AA** onto left door **16** with screws **N**.

Fix knob **U** onto left door **16** with screws **S** as shown.

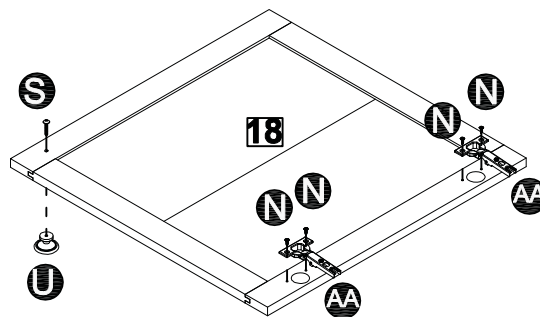


Step 25

Fixing hinges & knobs

Fix side hinges **AA** onto right door **18** with screws **N**.

Fix knob **U** onto right door **18** with screws **S** as shown.

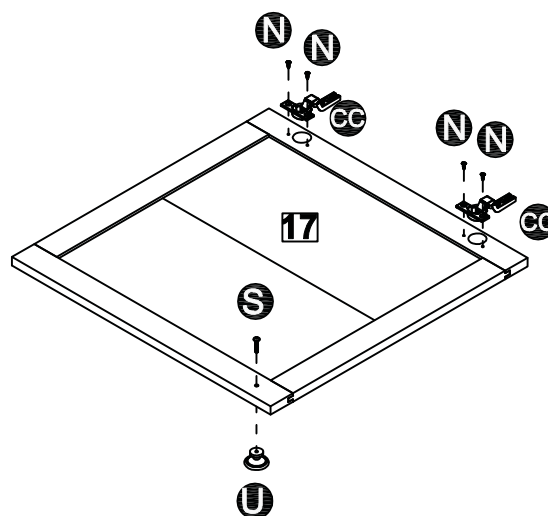


Step 26

Fixing hinges & knobs

Fix central hinges **CC** onto central door **17** with screws **N**.

Fix knob **U** onto central doors **17** with screws **S**.

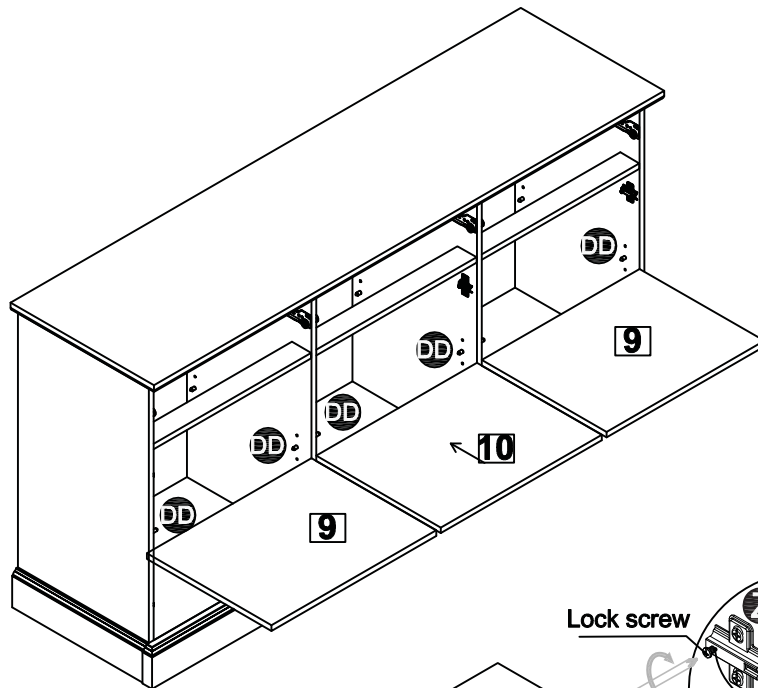


Assembly Instructions

Step 27

Attaching panels

Insert side shelf panels **9** & central shelf panel **10** into cabinet, letting them rest on shelf pins **DD**.



Step 28

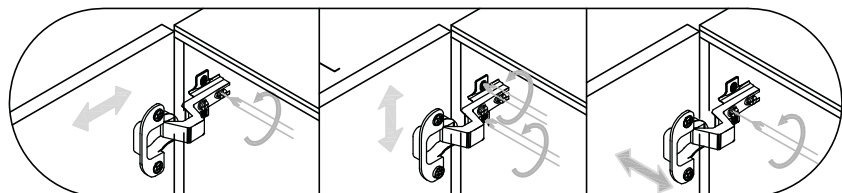
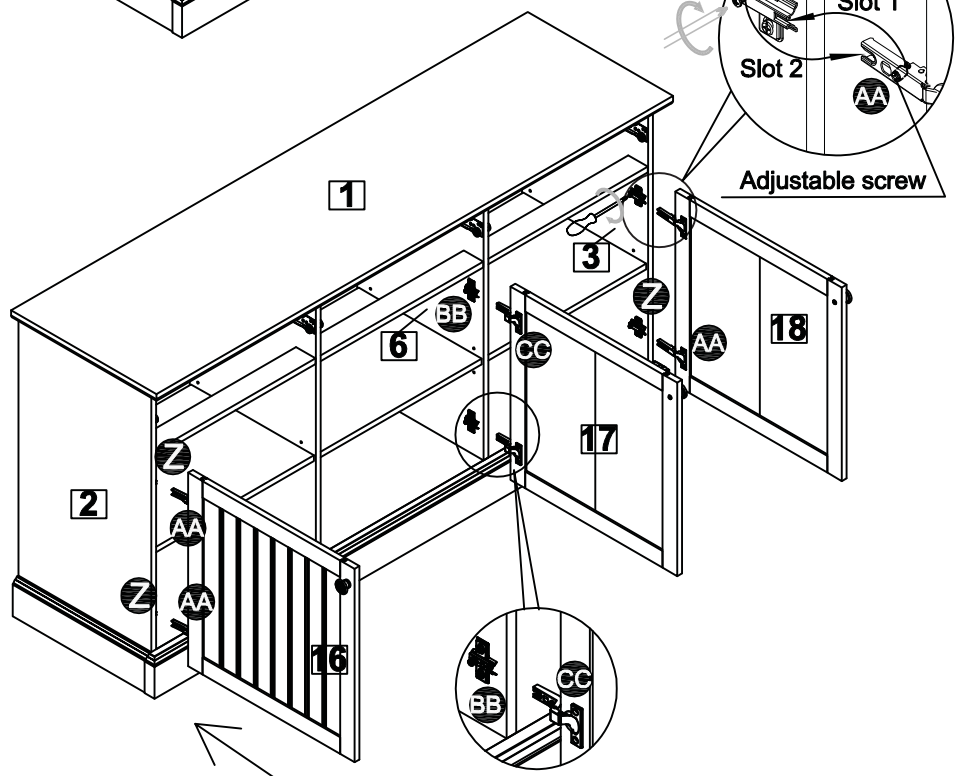
Attaching doors to cabinet

a: slide hinges **AA** into side hinge base **Z**, until each adjustable screw is in slot 1 and the lock screw is in the slot 2, then tighten lock screw.

b. Attach left door **16** in the same way.

c. Attach central door **17** into cabinet as shown, slide central hinge **CC** into central hinge bases **BB**, until each adjustable screw is in slot 1 and the lock screw is in the slot 2, then tighten lock screw.

d. Adjust the doors alignment as shown.

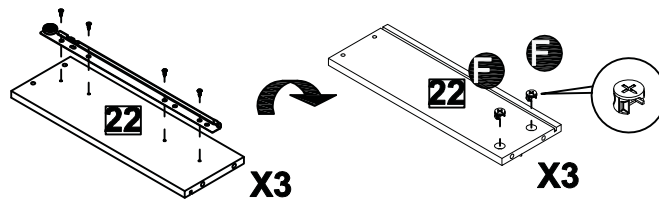
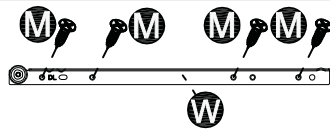


Assembly Instructions

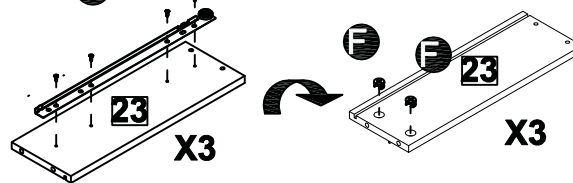
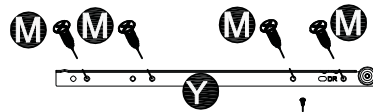
Step 29

Assemble drawers

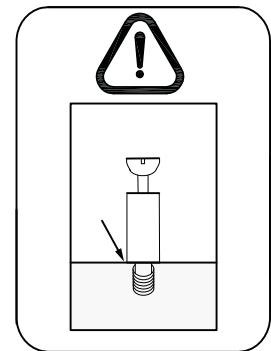
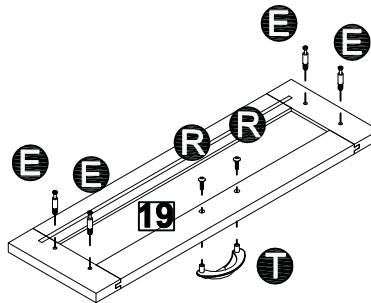
a: Insert small locking cams **F**.
 Fix runners LT/M **W** on drawer left side **22** with screws **M**.
 Note: Follow hole positions as shown.



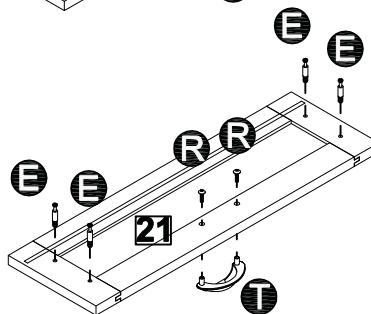
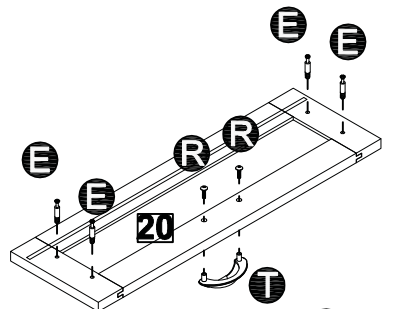
b: Insert small locking cams **F**.
 Fix runners RT/M **Y** on drawer right side **23** with screws **M**.
 Note: Follow the hole positions as shown.



c: Fix short connecting bolts **E** into drawer fronts **19** & **20** & **21**.
 Note: Insert bolt **A** as far as shown.
 Do not over tighten.



d: Fix handles **T** onto drawer fronts **19** & **20** & **21** with screws **R** as shown.

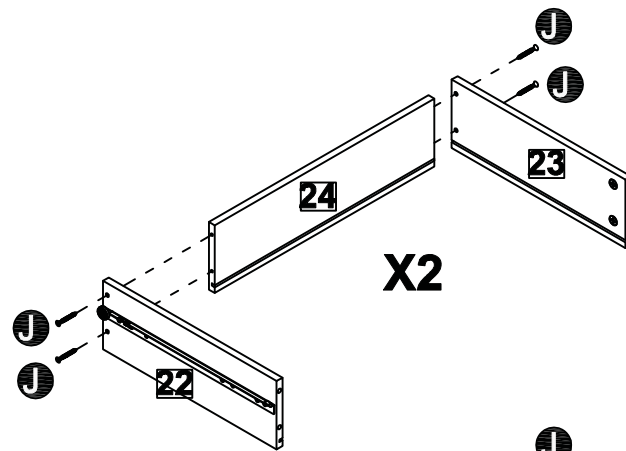


Assembly Instructions

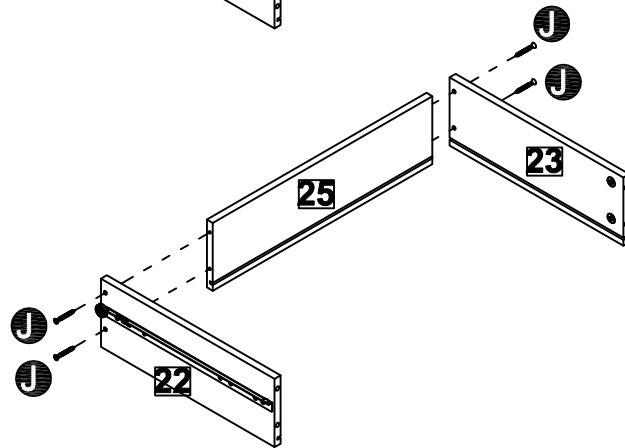
Step 30

Assemble drawers

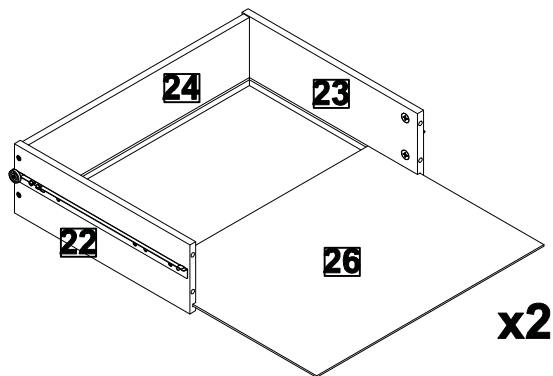
e: Connect drawer left side **22** and drawer right side **23** to drawers back **24** with screws **J**.



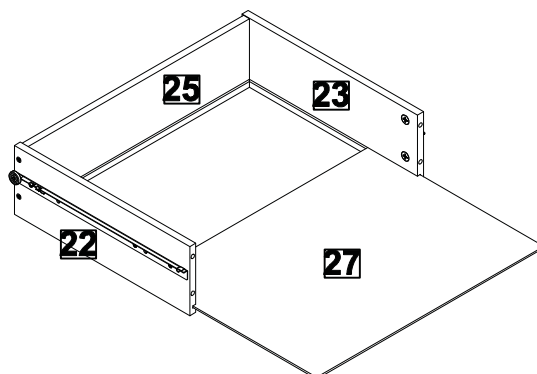
f: Connect drawer left side **22** & drawer right side **23** to drawer central back **25** with screws **J**.



g: Insert drawer bottom **26** into the grooves of side drawer frame panels **22**, **23** & **24**.



h: Insert drawer central bottom **27** into the grooves of central drawer frame panels **22**, **23** & **25**.



Assembly Instructions

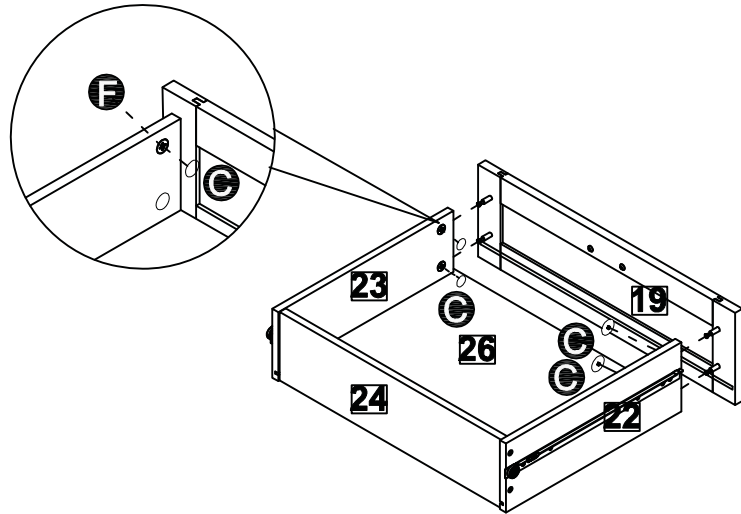
Step 31

Assemble drawers

i: Position left drawer front **19** onto drawer sides **22** & **23** of side drawer frame.

Turn small locking cams **F** clockwise with screw driver to lock.

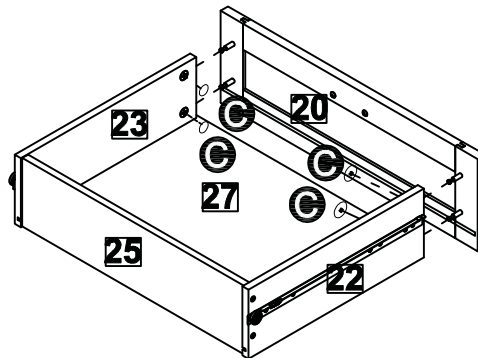
Use caps **G** to cover cams **F**.



j: Position central drawer front **20** onto drawer sides **22** & **23** of central drawer frame.

Turn small locking cams **F** clockwise with screw driver to lock.

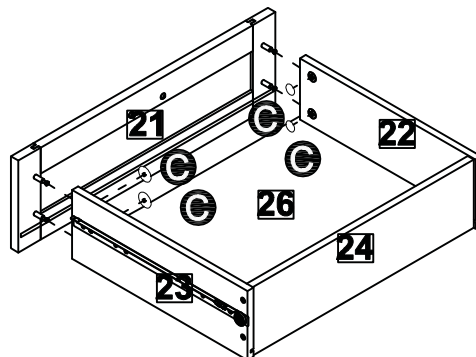
Use caps **G** to cover cams **F**.



i: Position right drawer front **21** onto drawer sides **22** & **23** of side drawer frame.

Turn small locking cams **F** clockwise with screw driver to lock.

Use caps **G** to cover cams **F**.



Assembly Instructions

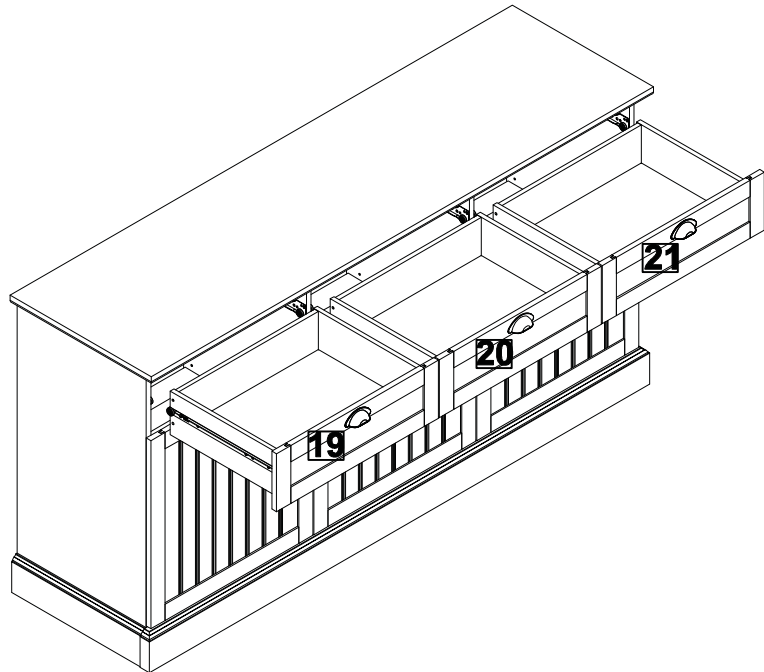
Step 32

Insert drawers into cabinet carefully as shown.

Slide drawer runners into position gently to avoid damaging runners.

Note:

Follow the correct left/center/right order of these 3 drawers as shown.

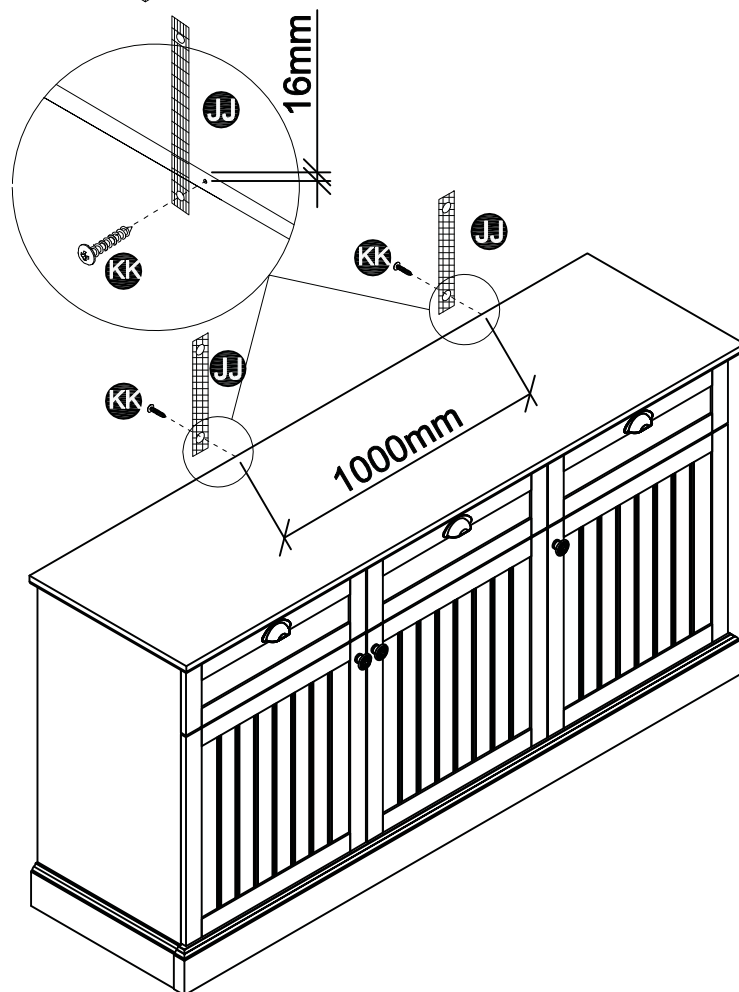


Step 33

Fixing unit to the wall

It is recommended that the sideboard is fixed to a wall.


a. Fix wall straps **JJ** with screw **KK** at the back edge of top panel **1**.




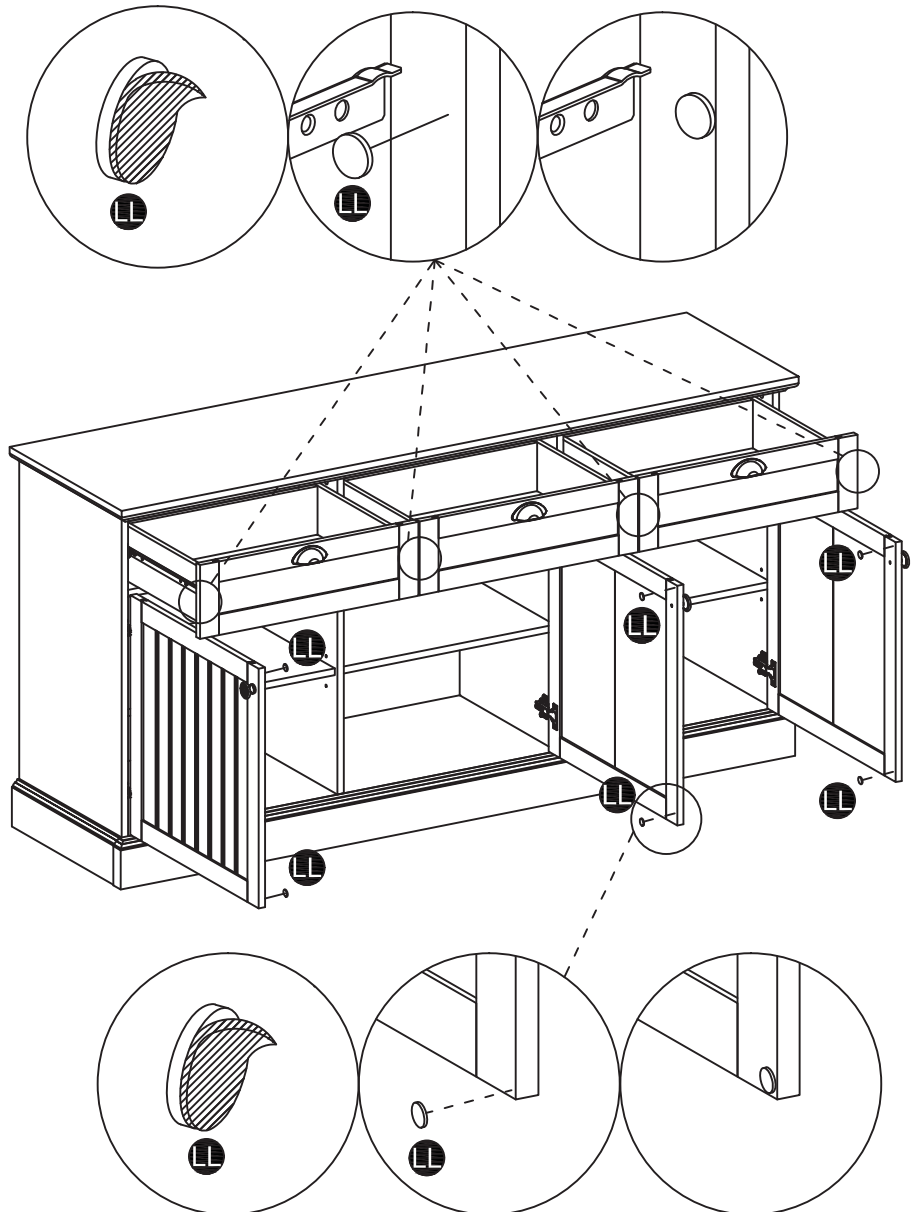
Assembly Instructions

Step 34

Attaching pads

a: Attach Pad  to door back.

b. Attach pad  to drawer front back.



Assembly Instructions

Step 35

b. With help, move sideboard into position.



Warning:
The Sideboard is heavy.

Lift with care.

Mark fixing holes on wall and remove sideboard.

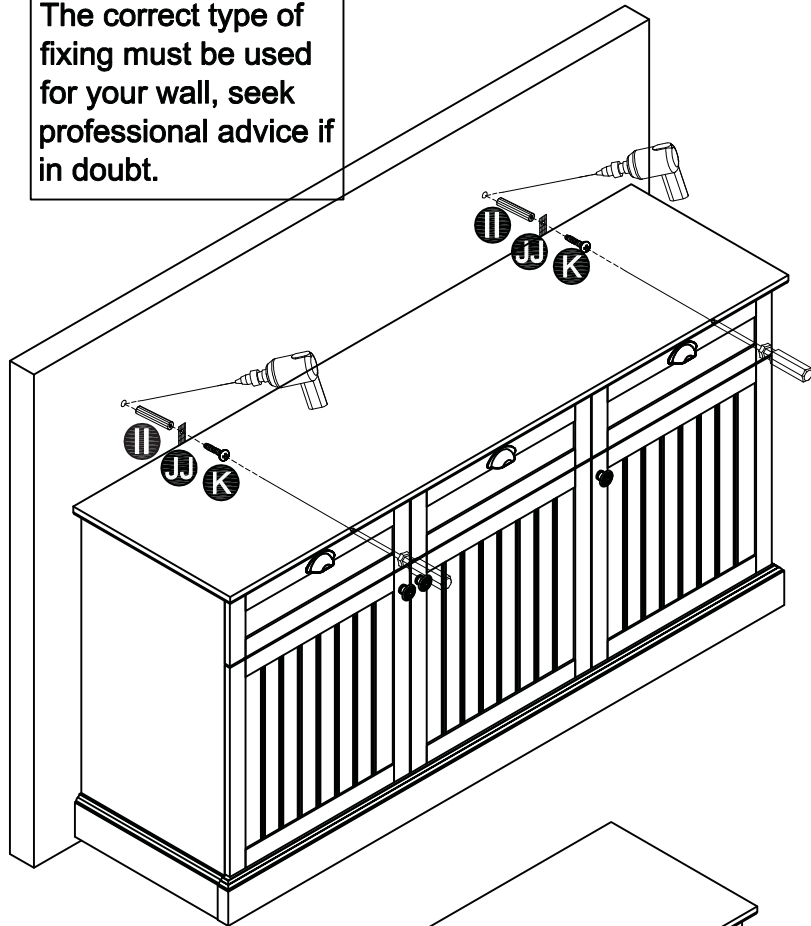
Drill 8mm holes and insert wall plug



Warning:
Before drilling, check wall for hidden pipes and cables.

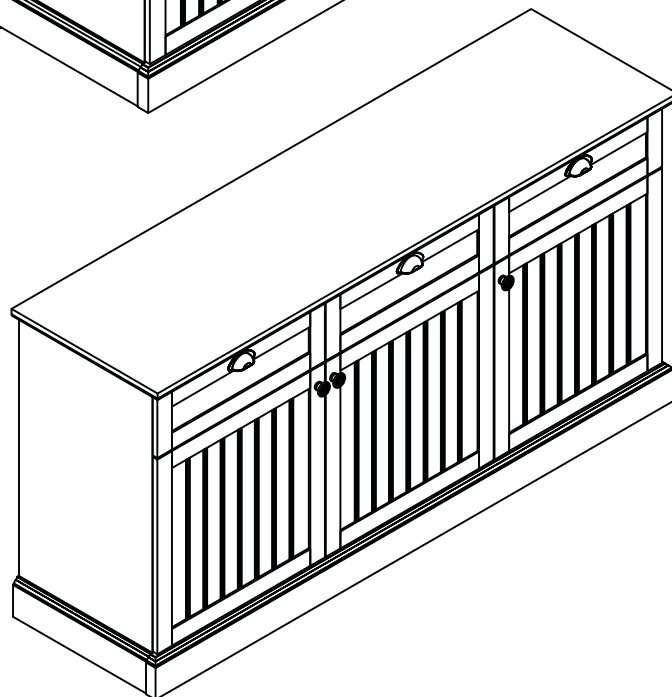
Reposition sideboard and fix wall strap using screws .

Note: Wall plugs supplied are for solid walls only. The correct type of fixing must be used for your wall, seek professional advice if in doubt.



Step 36

Assembly is complete.



If you need help or have damaged or missing parts, call the **Customer Helpline:**
Argos = 0845 6400800

Care Instruction

Care and Maintenance

- Use a soft, clean cloth that will not scratch the surface when dusting.
- Use of furniture polish is not necessary. Should you choose to use polish, test first in an inconspicuous area.
- Using solvents of any kind on your furniture may damage your furniture's finish.
- Never use water to clean your furniture as it may cause damage to the finish.
- Always use coasters under beverage glasses and flowerpots.
- Liquid spills should be removed immediately. Using a soft clean cloth, blot the spill gently. Avoid rubbing.
- Always use protective pads under hot dishes and plates. Heat can cause chemical changes that may create spotting within the furniture finish.
- Stains or marks from crayons or ink markers will be difficult to remove.
- In the event that your furniture is stained or otherwise damaged during use, we recommend that you call a professional to repair your furniture.

Further advice about wood furniture care

It is best to keep your furniture in a climate controlled environment. Extreme temperature and humidity changes can cause warping, shrinking and splitting of wood. Please keep furniture away from direct sunlight as this may damage the finish. Proper care and cleaning at home will extend the life of your purchase. Following these important and helpful tips will enhance your furniture as it ages.