

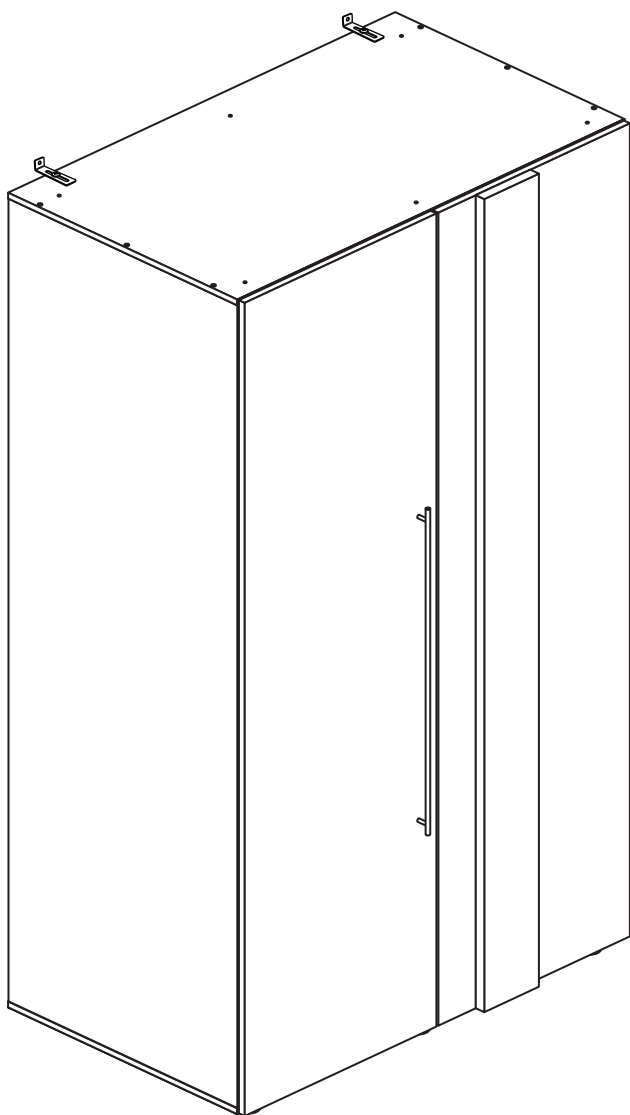
Atlas - Slip Corner Robe

Assembly Instructions - Please keep for future reference

327/9216

331/6052

323/5748



IMPORTANT

This unit **MUST** be fixed to a wall using both of the brackets supplied.

IMPORTANT

DO NOT follow the instructions packed with the Door Pack. Only use these instructions.

Dimensions

Width - 100cm

Depth - 59.5cm

Height - 212.5cm



**MADE IN
BRITAIN**

Important - Please read these instructions fully before starting assembly

If you need help or have damaged or missing parts, call the Customer Helpline: 03456 400800



Safety and Care Advice

Important - Please read these instructions fully before starting assembly

- **Warning:** This unit weighs approximately 63kgs. Please lift with care.
- Check you have all the components and tools listed on pages 1, 2 and 3.
- Remove all fittings from the plastic bags and separate them into their groups.
- Keep children and animals away from the work area, small parts could choke if swallowed.
- Parts of the assembly will be easier with 2 people.

- Make sure you have enough space to layout the parts before starting.
- Do not stand or put weight on the product, this could cause damage.
- Assemble the item as close to its final position (in the same room) as possible.
- Assemble on a soft level surface to avoid damaging the unit or your floor (use opened out unit carton).



• We do not recommend the use of power drill/drivers **for inserting screws**, as this could damage the unit. Only use hand screwdrivers.

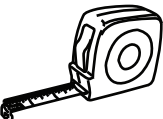
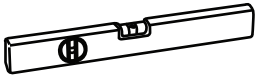




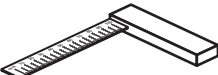


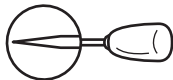
• **Safety note:** It is recommended that this unit is secured to a wall using the brackets supplied.

• Dispose of all packaging carefully and responsibly.

Care and maintenance

- Only clean using a damp cloth and mild detergent, do not use bleach or abrasive cleaners.
- From time to time check that there are no loose screws on this unit.
- This product should not be discarded with household waste. Take to your local authority waste disposal centre.

Tools required

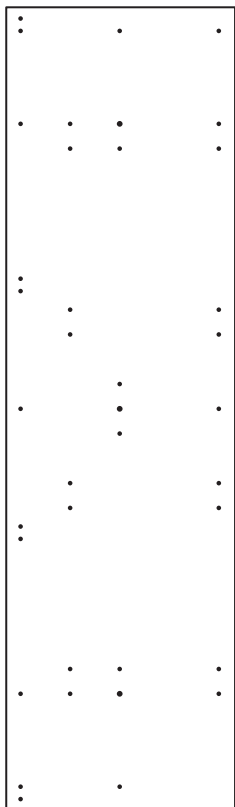
 Rule	 Spirit level	 Eye protection (when using a hammer or drill)	 Cross-head screwdriver	 Electric drill (only use when drilling into walls)	 Step ladder
 Square	 Scissors	 Hammer	 Bradawl		

Note: If required the next page can be cut out and used as reference throughout the assembly. Keep this page with these instructions for future reference.

Components - Panels

If you have damaged or missing components, call the **Customer Helpline: 03456 400800** quoting the reference numbers below

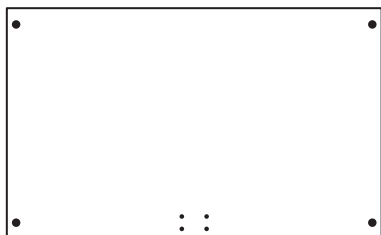
Please check you have all the panels listed below



1 Universal End (D2396A)
(2074 x 591mm) x 2



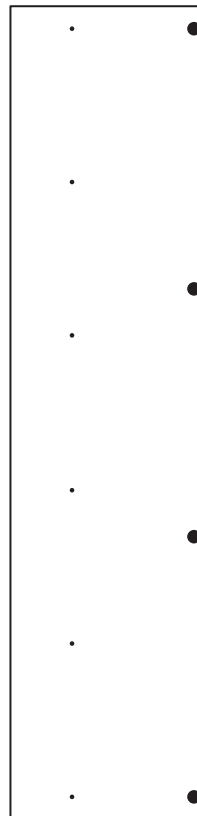
2 Top/Base (D2395A)
(1000 x 592mm) x 2



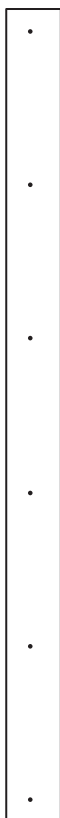
3 Fixed Shelf (D2397A)
(968 x 590mm)



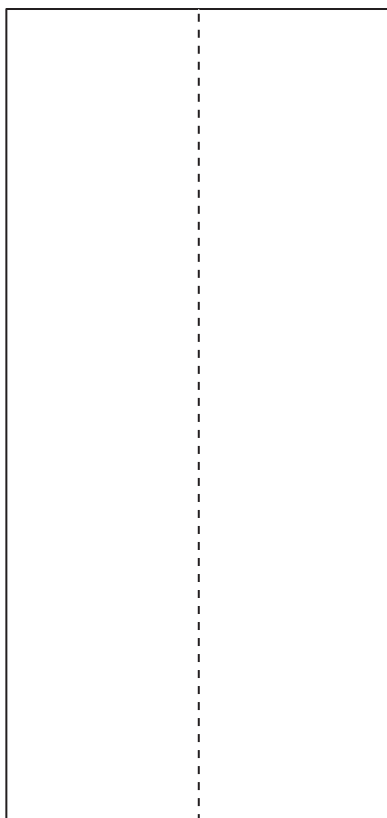
4 Hanging Rail (FHR960)
(960mm long) x 2



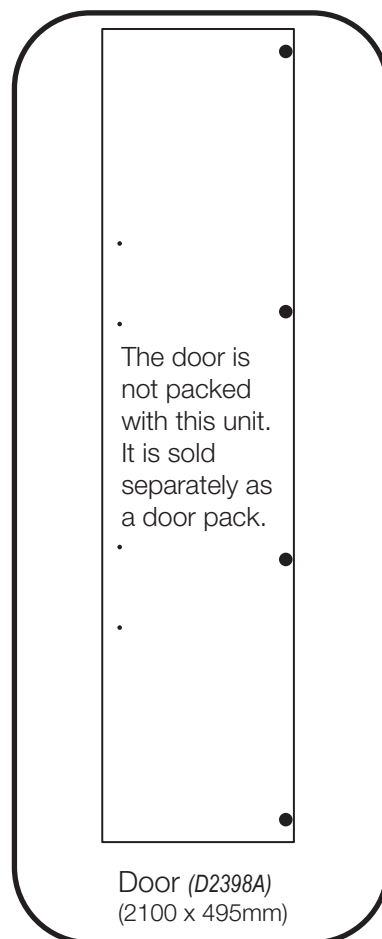
5 Door Blanking Panel (DF548A)
(2100 x 495mm)



6 Door Spacer Panel (DF549A)
(2100 x 141mm)



7 Back (X2100-994)
(2100 x 994mm)



Door (D2398A)
(2100 x 495mm)

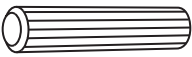
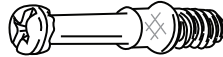

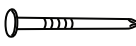








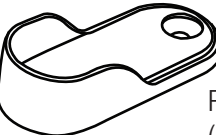
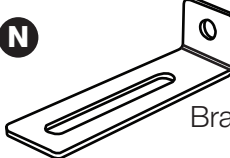
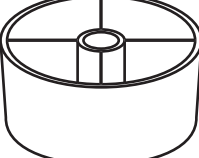
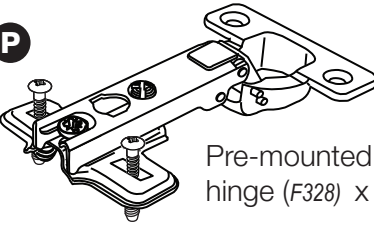
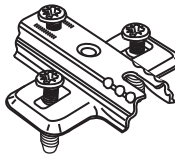
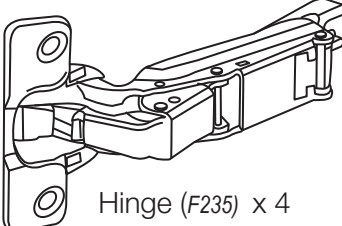
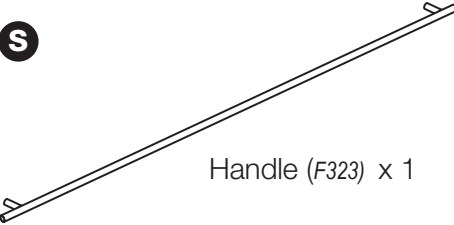


Components - Fittings

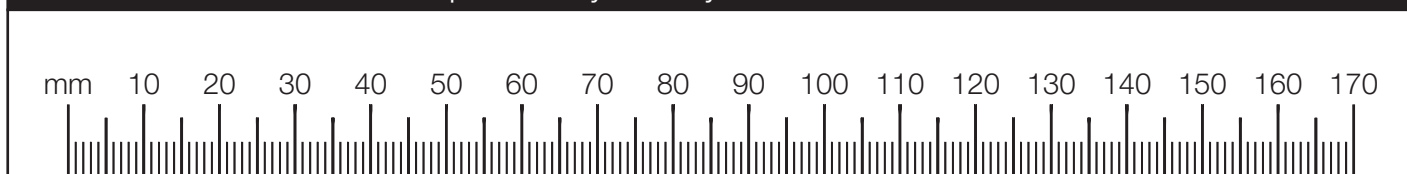
If you have damaged or missing components, call the **Customer Helpline: 03456 400800** quoting the reference numbers below

Please check you have all the fittings listed below

Note: The quantities below are the correct amount to complete the assembly. In some cases more fittings may be supplied than are required.

<p>A </p> <p>Wooden dowel (F22) x 2</p>	<p>B </p> <p>Metal dowel (F901) x 4</p>	<p>C </p> <p>Large locking nut (F900) x 4</p>
<p>D </p> <p>Nail (F51) x 40</p>	<p>E </p> <p>Allen Key (F36) x 1</p>	<p>F </p> <p>50mm Screw (F49) x 12</p>
<p>G </p> <p>32mm Screw (F72) x 6</p>	<p>H </p> <p>25mm Screw (F50) x 6</p>	<p>I </p> <p>19mm Screw (F461) x 2</p>
<p>J </p> <p>13mm Screw (F63) x 24</p>	<p>K </p> <p>13mm Screw (F79) x 3</p>	<p>L </p> <p>13mm Screw (F52) x 1</p>
<p>M </p> <p>Rail Holder (F891) x 4</p>	<p>N </p> <p>Bracket (F327) x 3</p>	<p>O </p> <p>Feet (F854) x 6</p>
<p>P </p> <p>Pre-mounted hinge (F328) x 4</p>	<p>Q </p> <p>Hinge plate (F234) x 4</p>	<p>R </p> <p>Hinge (F235) x 4</p>
<p>S </p> <p>Handle (F323) x 1</p>		

Ruler - Use this ruler to help correctly identify the screws

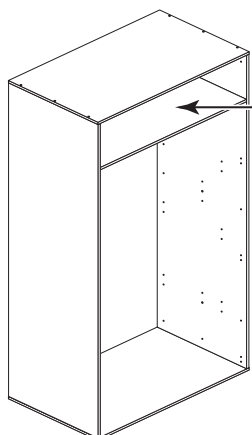


Assembly Instructions

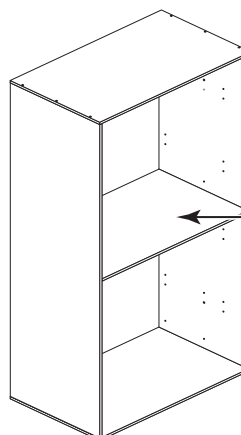
If you have damaged or missing components, call the **Customer Helpline: 03456 400800** quoting the reference numbers below

Step 1

Are you fitting 1 or 2 hanging rails or, a shelf pack?



If you are just fitting 1 hanging rail, the fixed shelf will need to go here. **Follow Steps 2 and 3.**



If you are fitting 2 hanging rails, the fixed shelf will need to go here. **Follow Step 4 and 5.**

Step 2

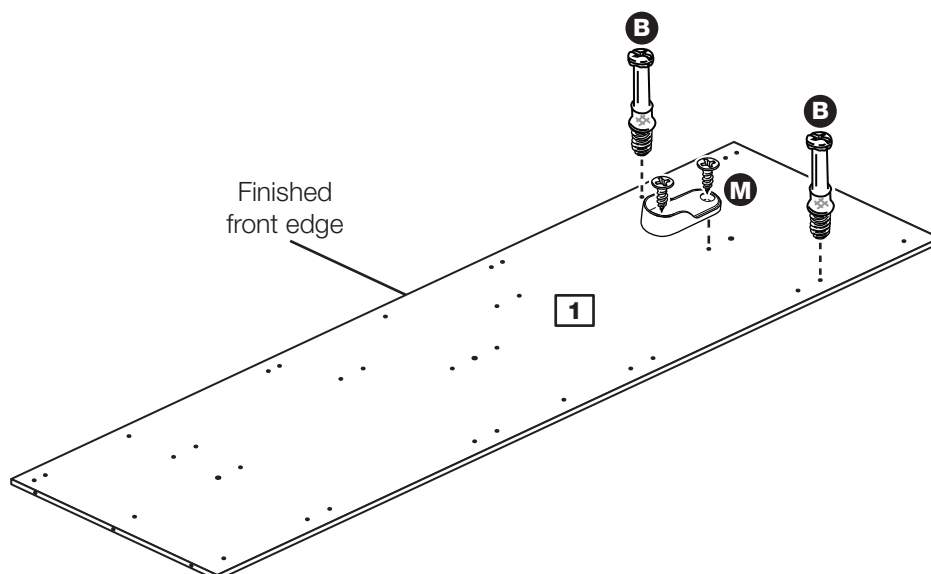
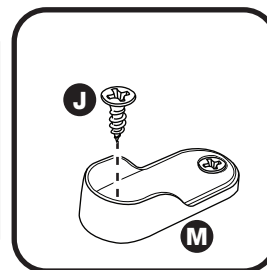
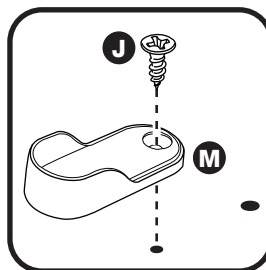
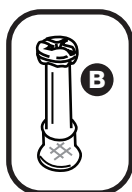
Prepare the left end

Refer to step 1 and, if you have chosen to fit 1 hanging rail, screw 2 metal dowels **B** into the left end **1**.

Note: Tighten the metal dowels up fully against the panels.

To fit the rail holder **M**, screw through its top hole with screw **J** and into the shallow mark hole drilled in the left end **1**. Make sure that it is fitted straight, in line with the panel edges and then fit another screw **J** using the lower hole.

Only follow Steps 2 and 3 if you are just fitting 1 hanging rail. If you are fitting 2 hanging rails, follow Step 4 and 5.



Assembly Instructions

Step 3

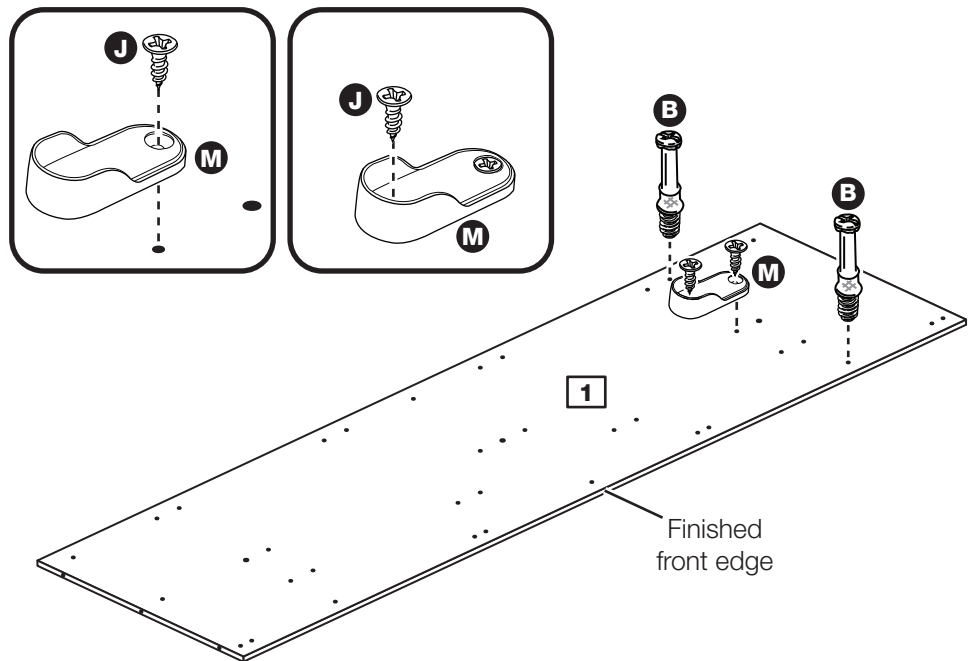
Prepare the right end

Refer to step 1 and, if you have chosen to fit 1 hanging rail, screw 2 metal dowels **B** into the right end **1**.

Note: Tighten the metal dowels up fully against the panels.

To fit the rail holder **M**, screw through its top hole with screw **J** and into the shallow mark hole drilled in the right end **1**. Make sure that it is fitted straight, in line with the panel edges and then fit another screw **J** using the lower hole.

Only follow Steps 2 and 3 if you are just fitting 1 hanging rail.
If you are fitting 2 hanging rails, follow Step 4 and 5.



Step 4

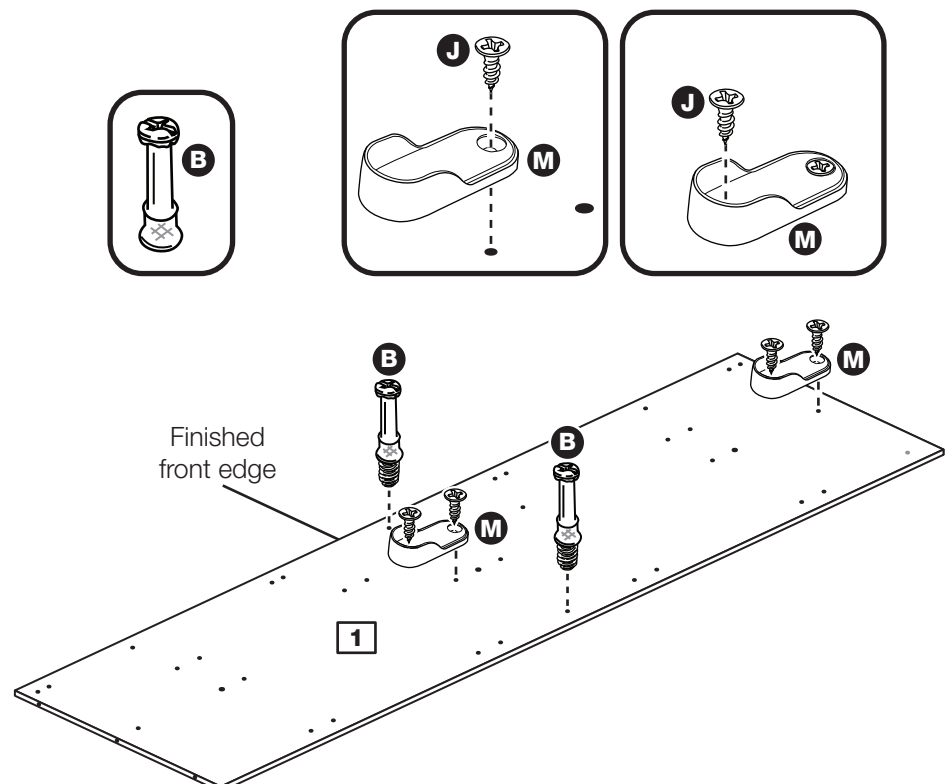
Prepare the left end

Refer to step 1 and, if you have chosen to fit 2 hanging rails, screw 2 metal dowels **B** into the left end **1**.

Note: Tighten the metal dowels up fully against the panels.

To fit the 2 rail holders **M** screw through the top hole with screw **J** and into the shallow mark hole drilled in the left end **1**. Make sure that they are fitted straight, in line with the panel edges and then fit another screw **J** using the lower hole.

Only follow Steps 4 and 5 if you are fitting 2 hanging rails.
If you are just fitting 1 rail, follow Step 2 and 3.



Assembly Instructions

Step 5

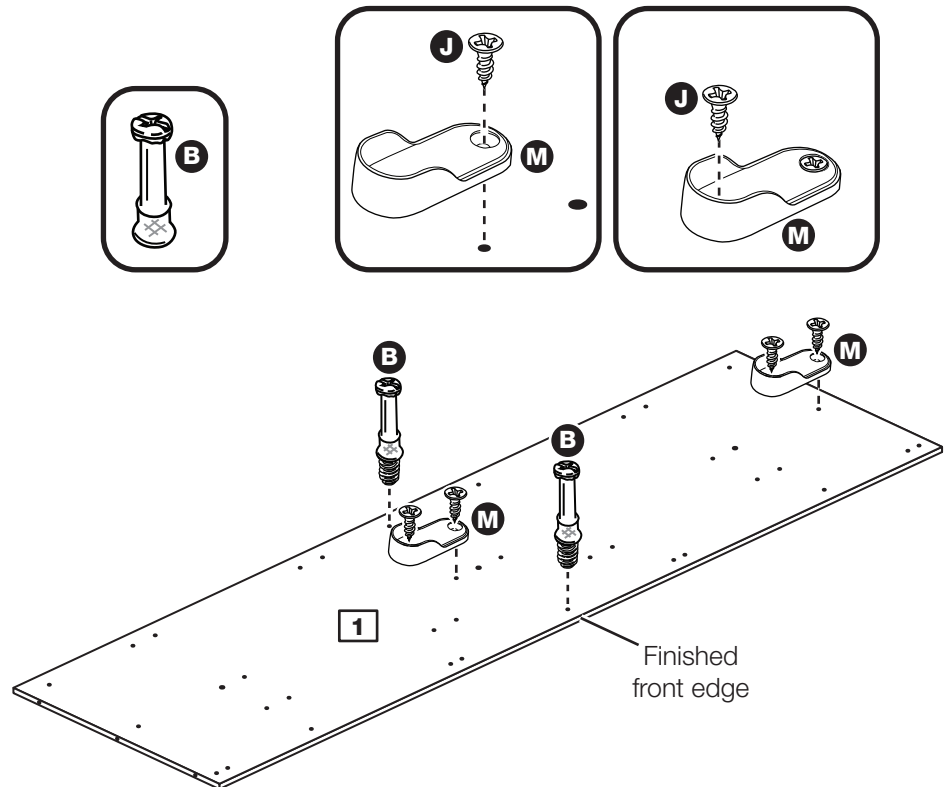
Prepare the right end

Refer to step 1 and, if you have chosen to fit 2 hanging rails, screw 2 metal dowels **B** into the right end **1**.

Note: Tighten the metal dowels up fully against the panels.

To fit the 2 rail holders **M** screw through the top hole with screw **J** and into the shallow mark hole drilled in the right end **1**. Make sure that they are fitted straight, in line with the panel edges and then fit another screw **J** using the lower hole.

Only follow Steps 4 and 5 if you are fitting 2 hanging rails.
If you are just fitting 1 rail, follow Step 2 and 3.



Step 6

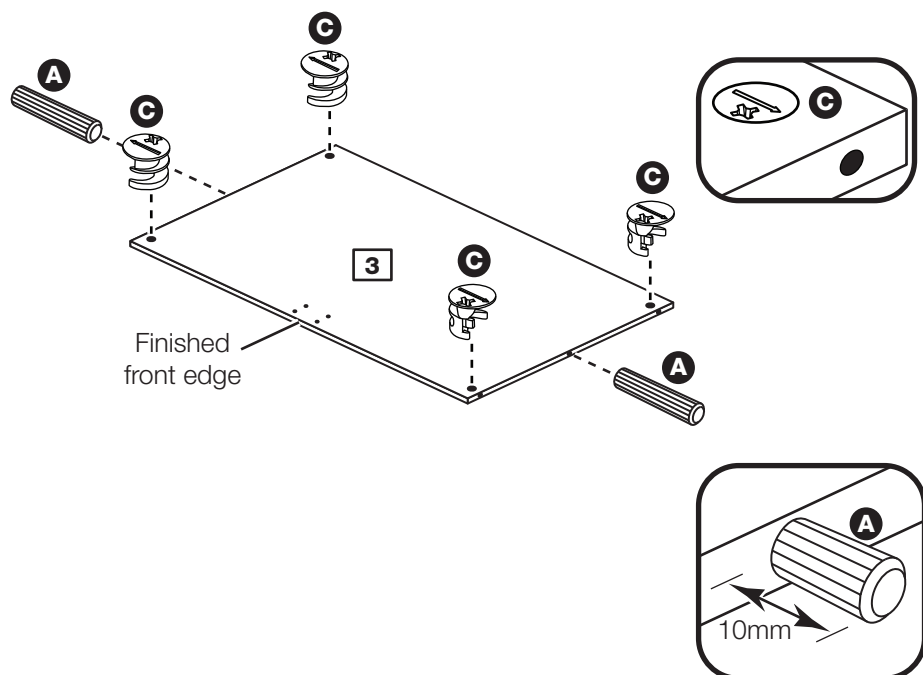
Prepare the fixed shelf

Tap 2 wooden dowels **A** into the fixed shelf **3**.

Note: Wooden dowels **must not** stick out from the edge by more than 10mm or they may damage other panels.

Insert 4 large locking nuts **C** into the fixed shelf **3**.

Note: The arrow on the locking nut **must** point towards the hole in the edge of the panel.



Assembly Instructions

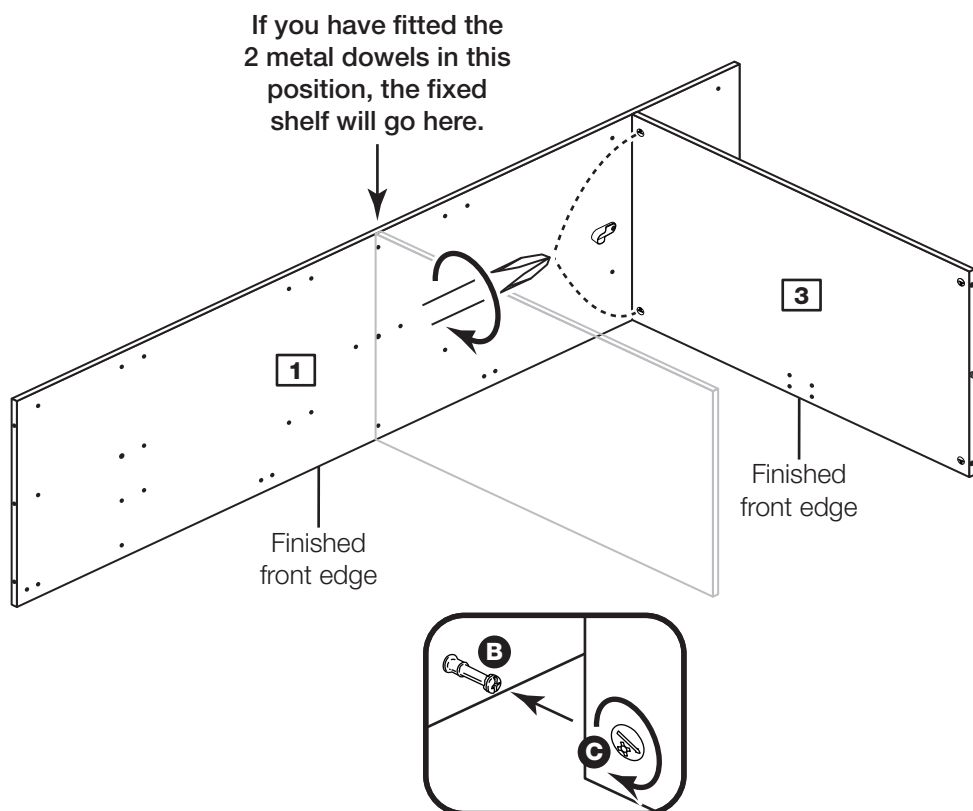
Step 7

Join the fixed shelf to the right side

Push the fixed shelf **3** onto the right side **1**.

Use a screwdriver to tighten the 2 large locking nuts **C** fitted to the fixed shelf **3**.

Note: Turn the large locking nuts **C** as far as they will go - more than 1/2 a turn.



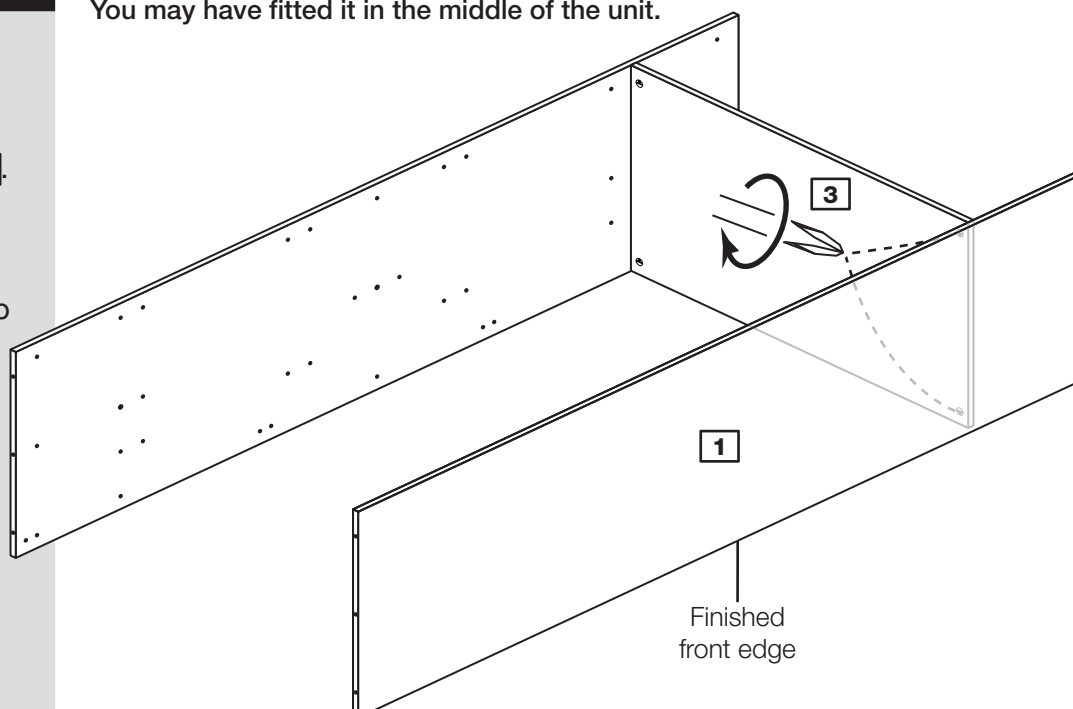
Step 8

Fit the left side

Push the left side **1** onto the fixed shelf **3**.

Use a screwdriver to tighten the 2 large locking nuts **C** fitted to the fixed shelf **3**.

The following diagrams will show the fixed shelf at the top end of the unit. You may have fitted it in the middle of the unit.

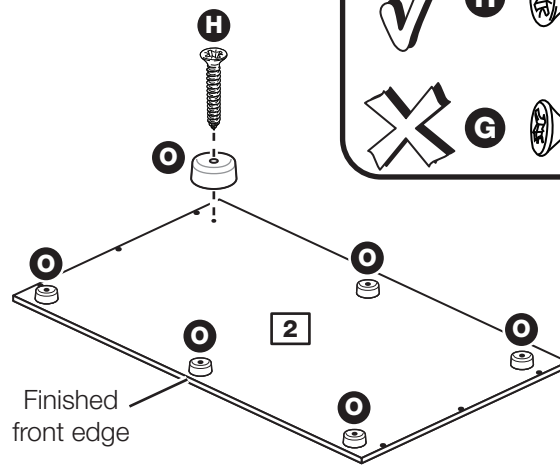


Assembly Instructions

Step 9

Prepare the base

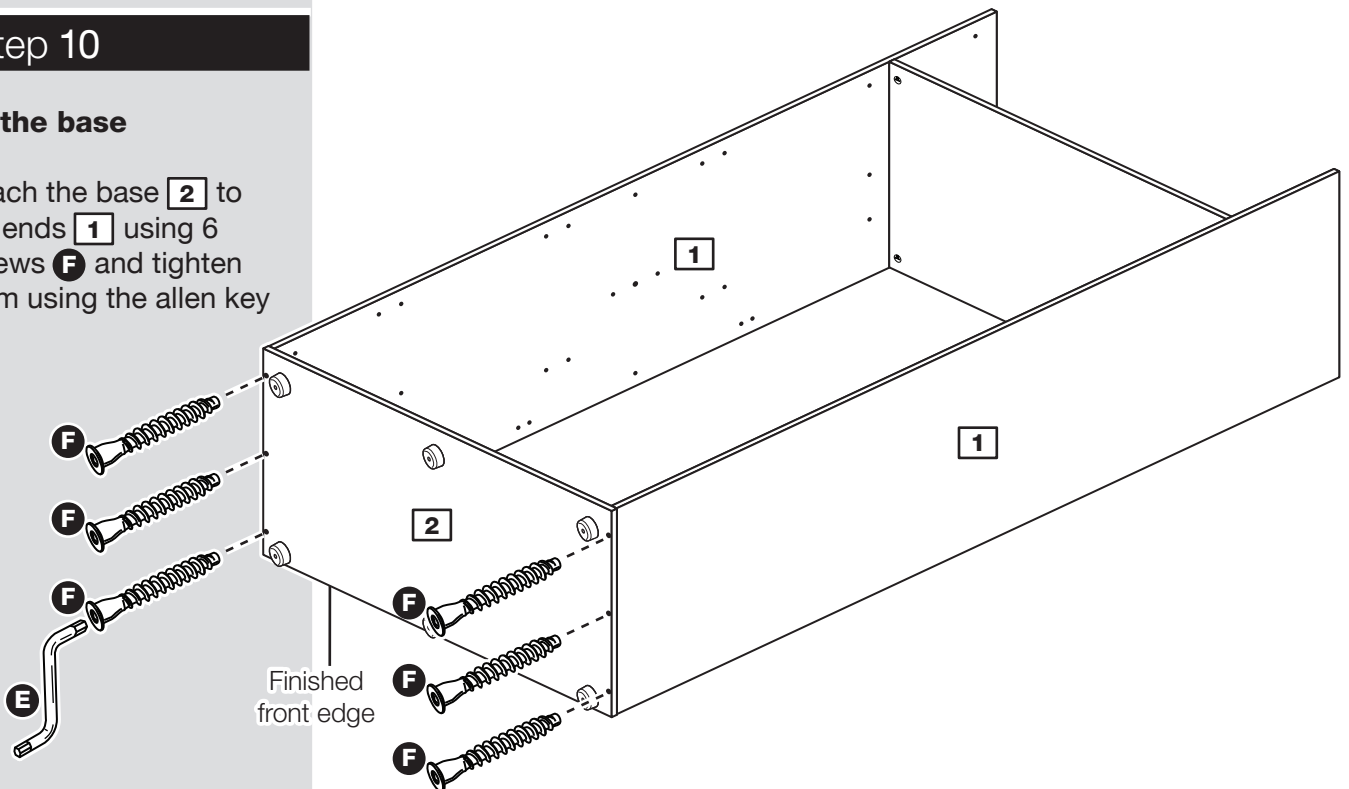
Screw the 6 feet **O** into the shallow mark holes on the base **2** using screws **H**.



Step 10

Fit the base

Attach the base **2** to the ends **1** using 6 screws **F** and tighten them using the allen key **E**.

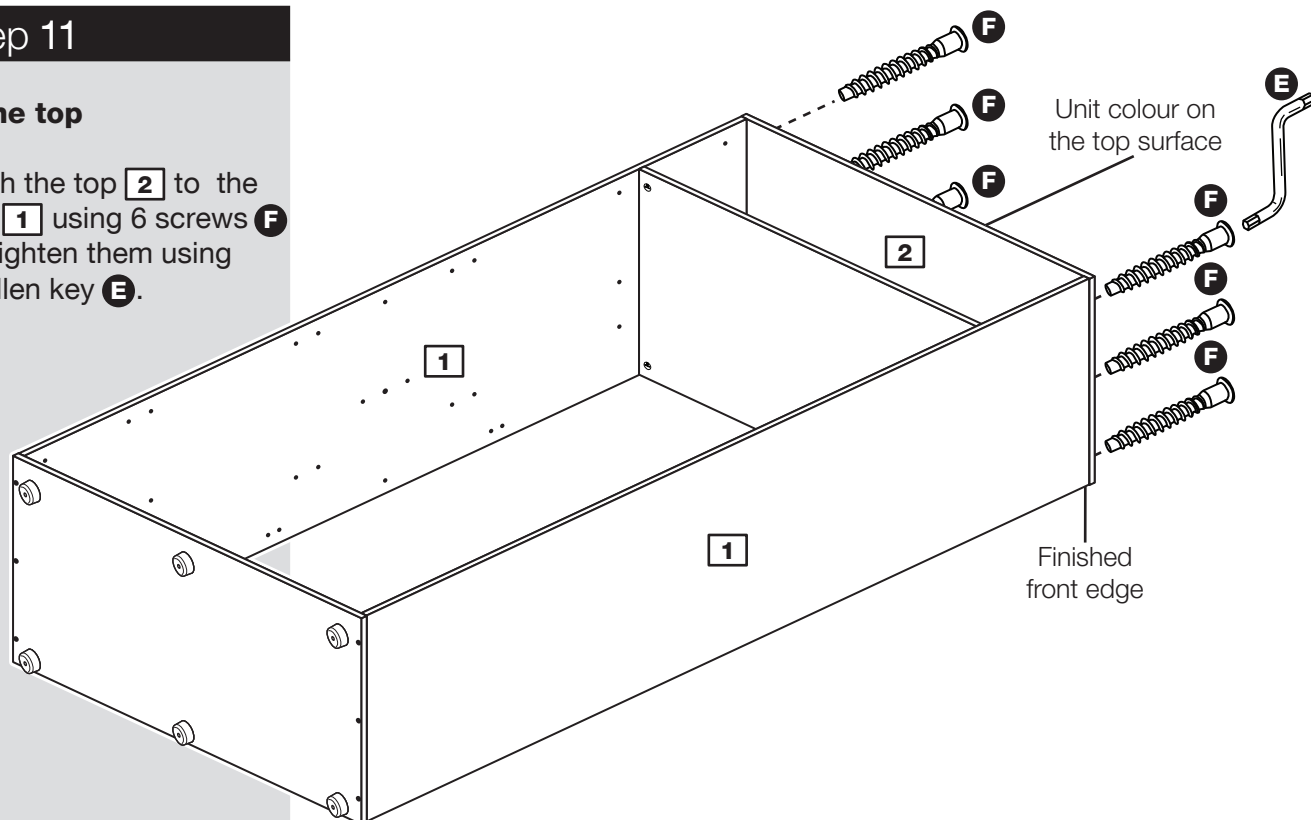


Assembly Instructions

Step 11

Fit the top

Attach the top **2** to the ends **1** using 6 screws **F** and tighten them using the allen key **E**.



Step 12

Fit the back

a: Square up the unit by making sure that measurement **x to x** equals **y to y**.

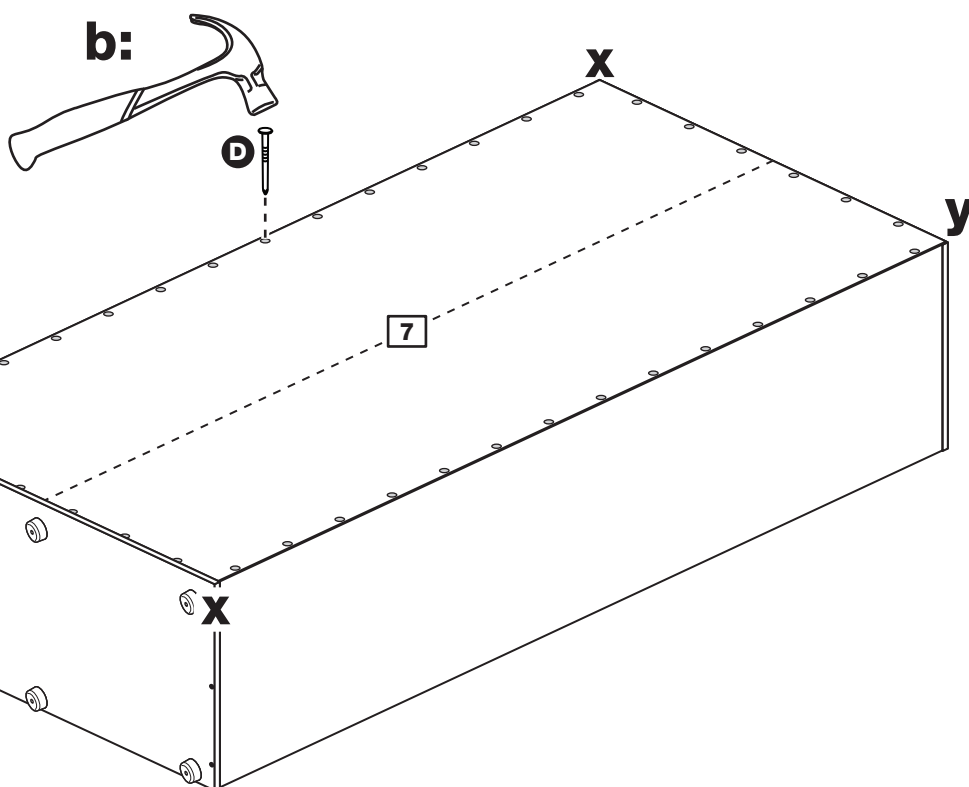
b: Place the back **7** onto the unit.

Nail **D** around the outside edges of the back **7**.

Note: Nails should be spaced about 150mm apart.

Stand the unit up for the next step.

a: The measurement from top corner X to bottom corner X must be equal to the measurement from top corner Y to bottom corner Y



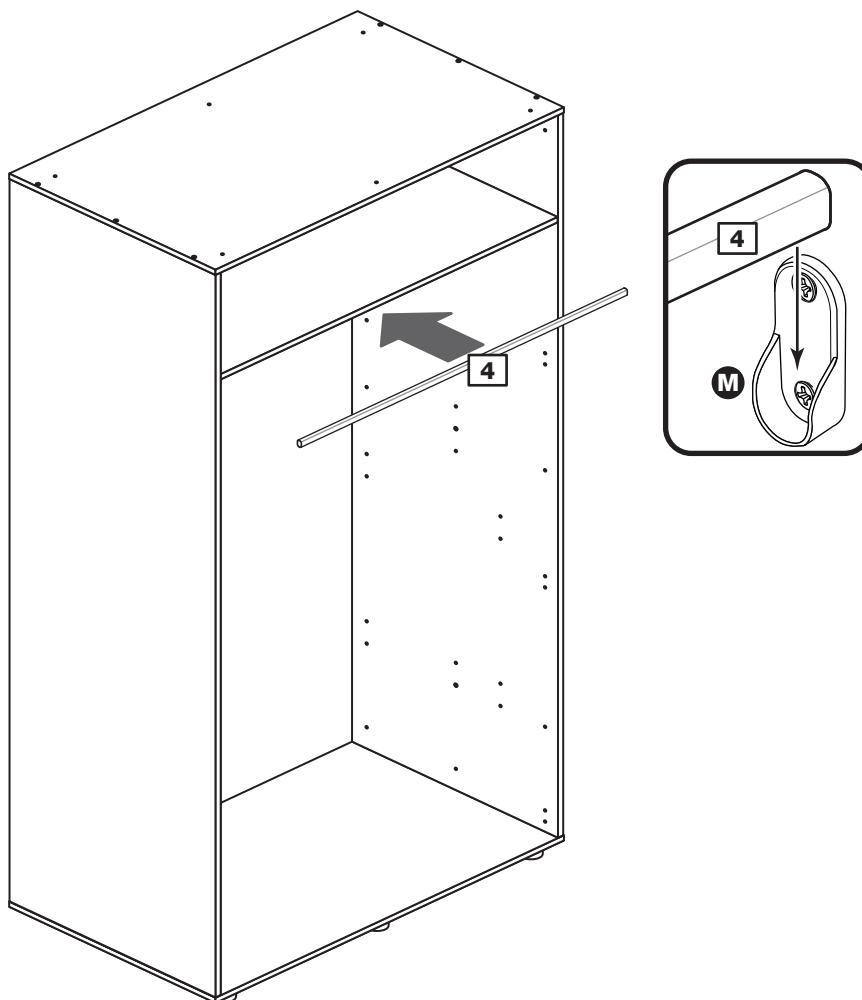
Warning: The unit is heavy. Lift with care.

Assembly Instructions

Step 13

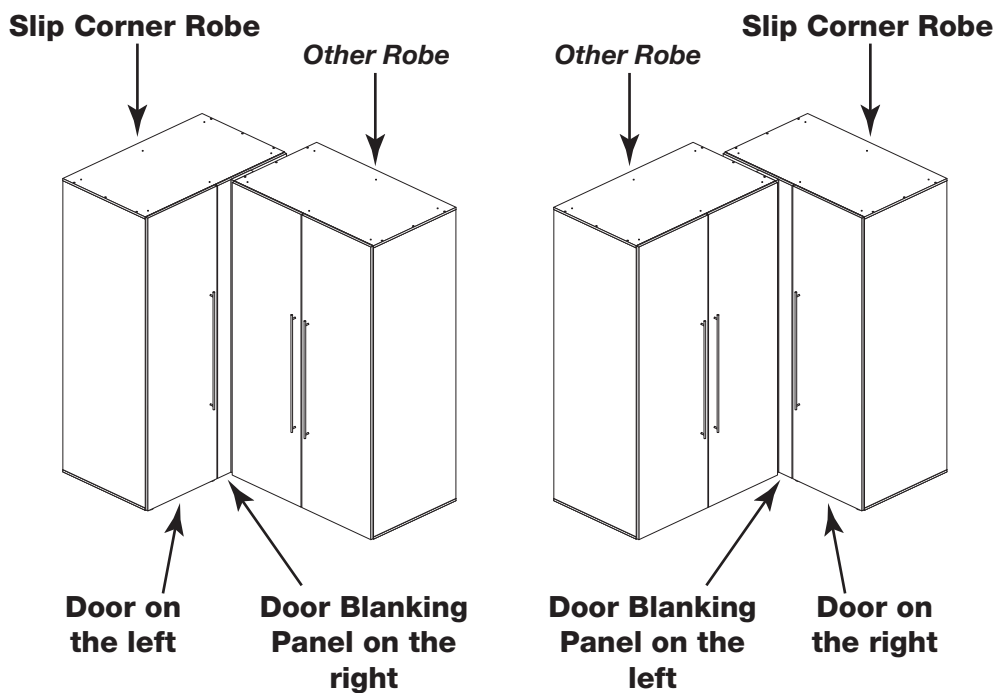
Fit the hanging rail(s)

Push the hanging rail(s) **4** into the rail holders **M** fitted to the side panels.



Step 14

Choose which side to fit the door and the door blanking panel

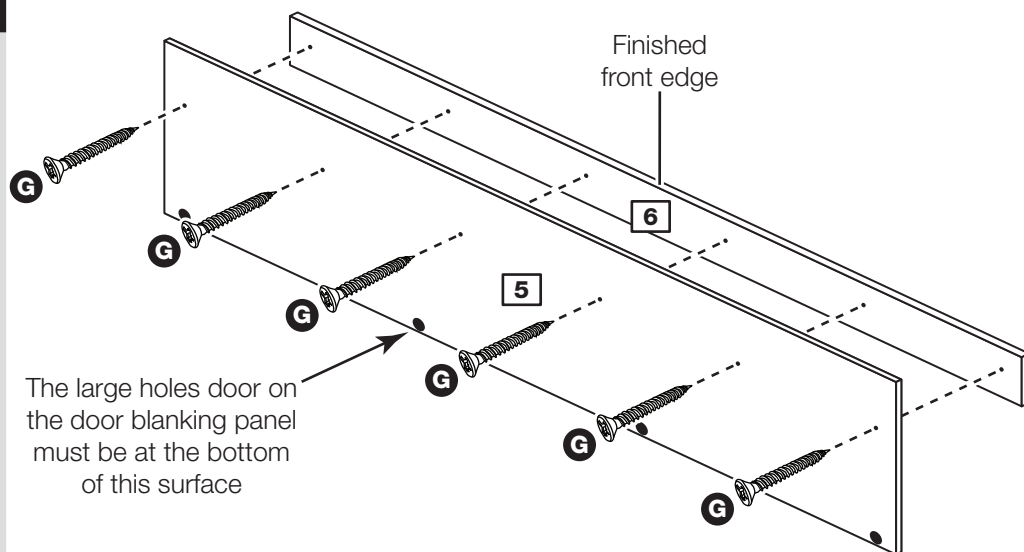


Assembly Instructions

Step 15

Fit the door spacer panel to the door blanking panel

Attach the door spacer panel **6** to the door blanking panel **5** using screws **G**.



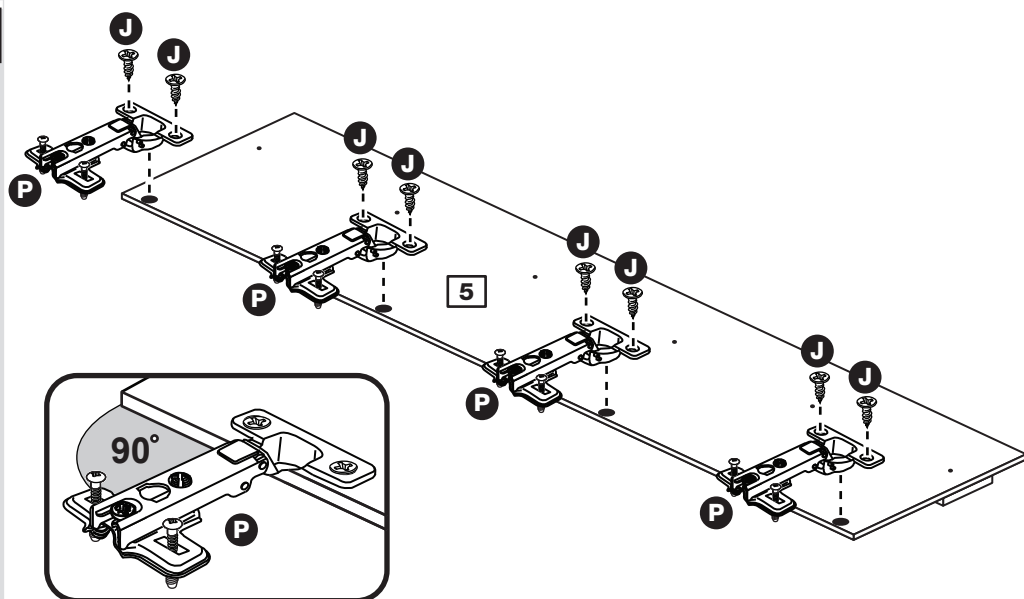
Step 16

Add the pre-mounted hinges to the door blanking panel

Push fit the pre-mounted hinges **P** into the door blanking panel **5**.

Secure each hinge with 2 screws **J**.

Note: Before securing with the screws, make sure that the hinges are positioned at 90 degrees with the edge of the door.



Assembly Instructions

Step 17

Fit the door blanking panel

2 people are needed here

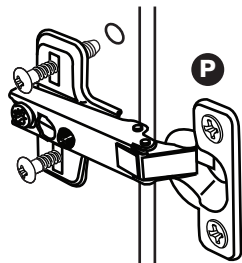
Note: Refer back to Step 14 to choose which side to fit the door blanking panel.

Line up the 2 screws in the top pre-mounted hinge **P** on the door blanking panel **5** with the 2 holes at the top of the end panel **1** and push them in.

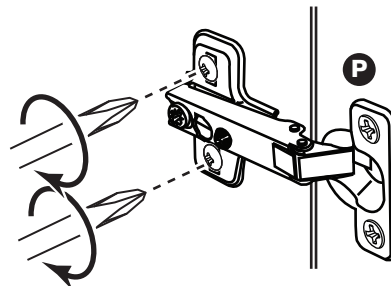
Working down the door blanking panel, push in the other pre-mounted hinges.

When all the pre-mounted hinges have been pushed into place, tighten their 2 screws.

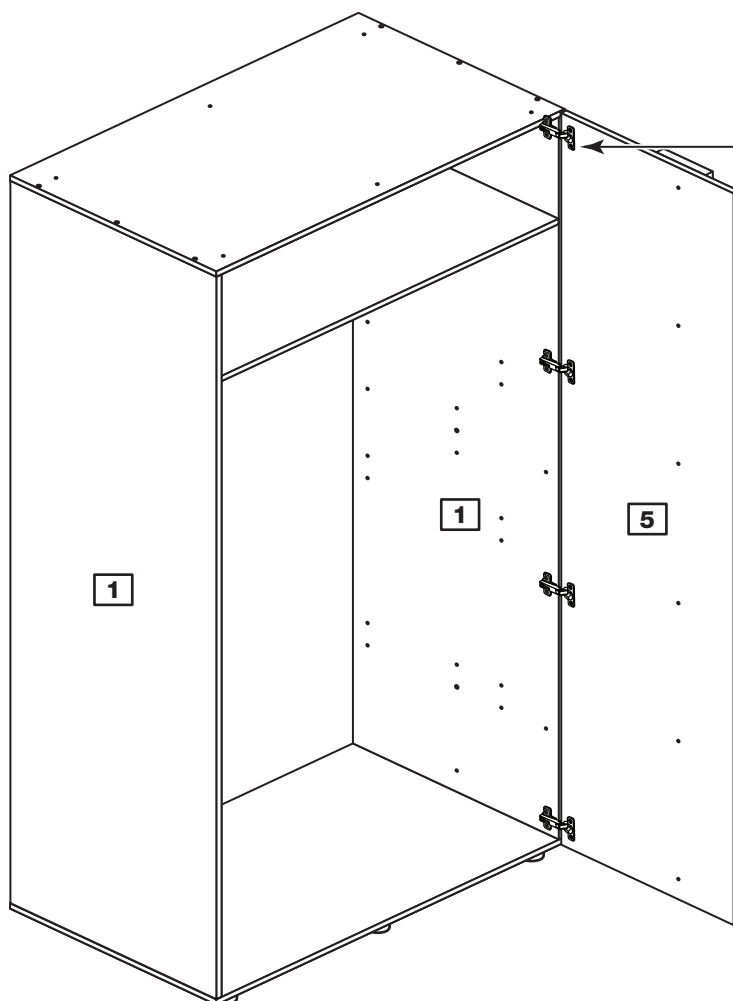
Press the screws into the holes in the panels



When the hinges have been pushed in, tighten up their screws



This shows the door blanking panel being fitted onto the right side of the robe. You may wish to fit it to the left side.



Note: Fit the top hinge 1st



Warning: The door blanking panel is heavy. Lift with care.

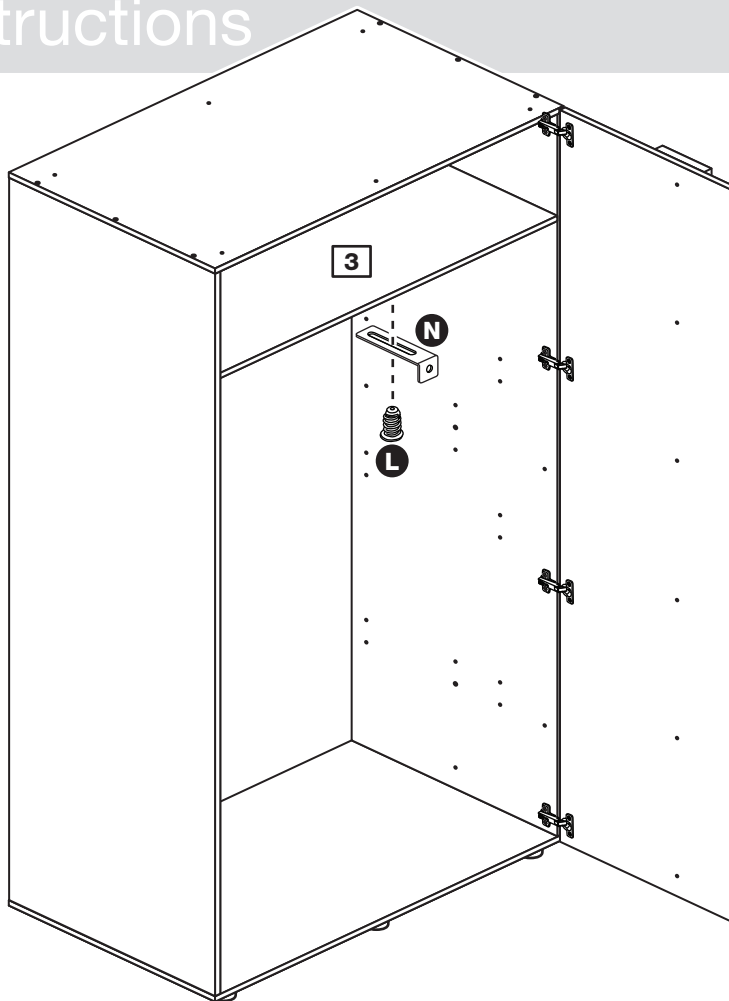
Assembly Instructions

Step 18

Attach a bracket to the fixed shelf

Fix a bracket **N** into the front hole underneath the fixed shelf **3** using screw **L**.

Use the right hand hole if you have fitted the door blanking panel on the right side or, the left hand hole if you have fitted the door blanking panel on the left side.

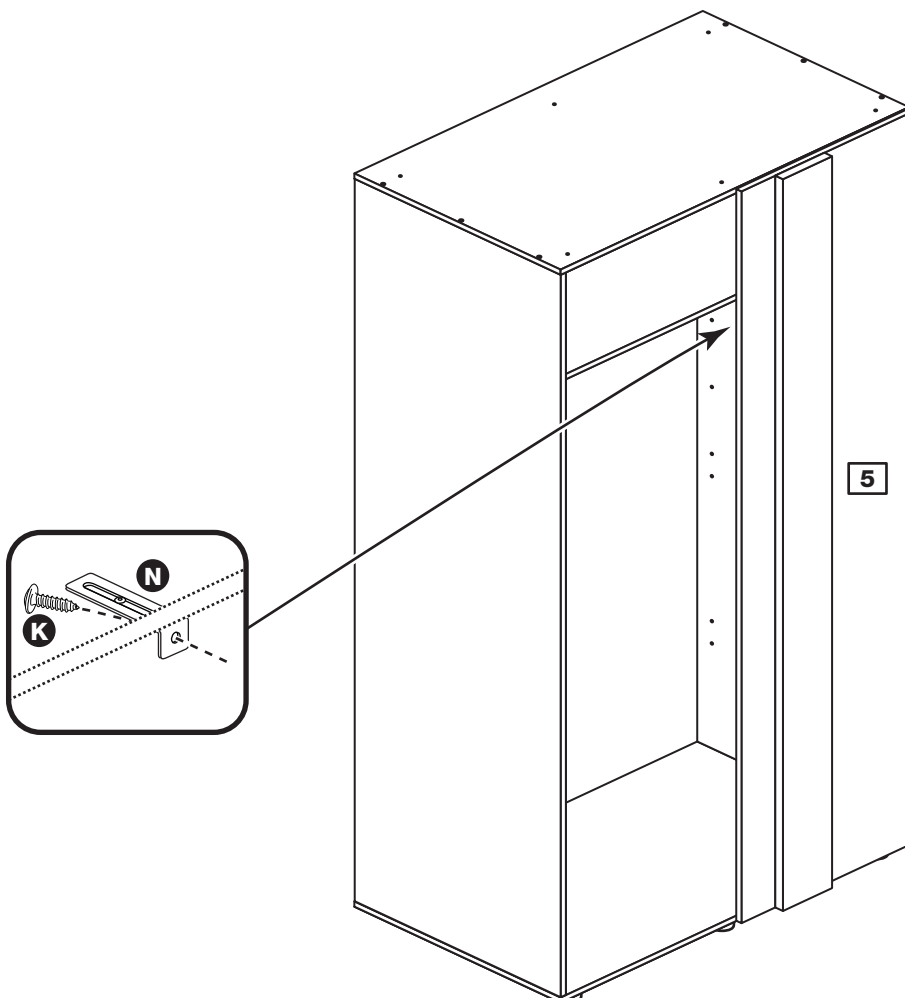


Step 19

Fix the door blanking unit

Close the door blanking panel and hold it against the unit while it is being fixed to the bracket.

Fix the back of the door blanking panel **5** to the bracket **N** using screw **K**.



Assembly Instructions

Step 20

Prepare the door from the door pack

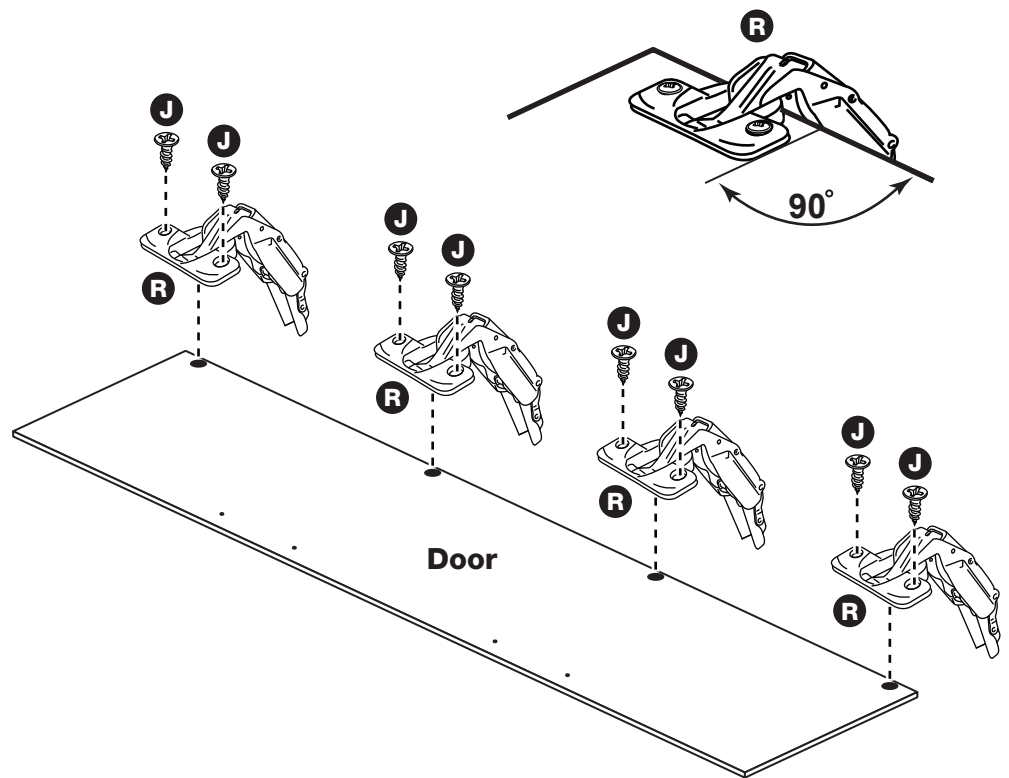
Push fit 4 hinges **R** into the door.

Secure each hinge with 2 screws **J**.

Note: Before securing with the screws, make sure that the hinges are positioned at 90 degrees with the edge of the door.

IMPORTANT

DO NOT follow the instructions packed with the Door.
Only use these instructions.



Assembly Instructions

Step 21

For a left hand door, drill these 2 handle holes

Important: Please follow these instructions carefully.

Lay the door down onto a smooth surface.

Check that the hinges and holes are in the same place as the diagram.

Note: We recommend the use of a small piece of waste wood, placed behind the holes while drilling, to reduce the possibility of any breakout.

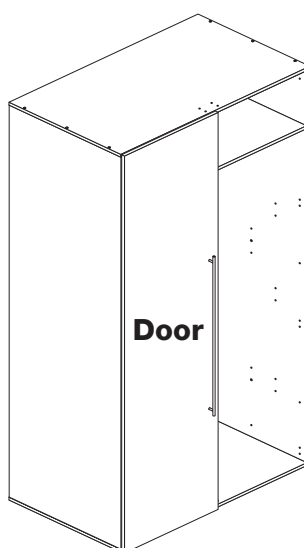
Using the pilot holes in the rear face of the door, drill through the 2 holes indicated opposite, using a 2.5mm diameter drill.

Turn the door over and open out the 2.5mm holes that you have just drilled by drilling back through them with a 5mm drill.

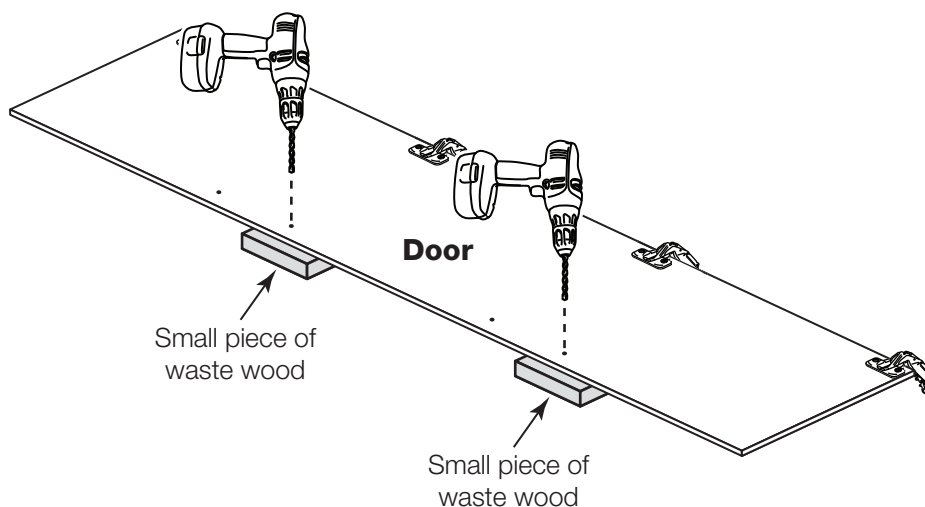
IMPORTANT

This step shows which handle holes to drill for a **LEFT HAND DOOR**, as shown below.

Go to Step 22 if you need to drill a **RIGHT HAND DOOR**.



ONLY drill these 2 holes



Assembly Instructions

Step 22

For a right hand door, drill these 2 handle holes

Important: Please follow these instructions carefully.

Lay the door down onto a smooth surface.

Check that the hinges and holes are in the same place as the diagram.

Note: We recommend the use of a small piece of waste wood, placed behind the holes while drilling, to reduce the possibility of any breakout.

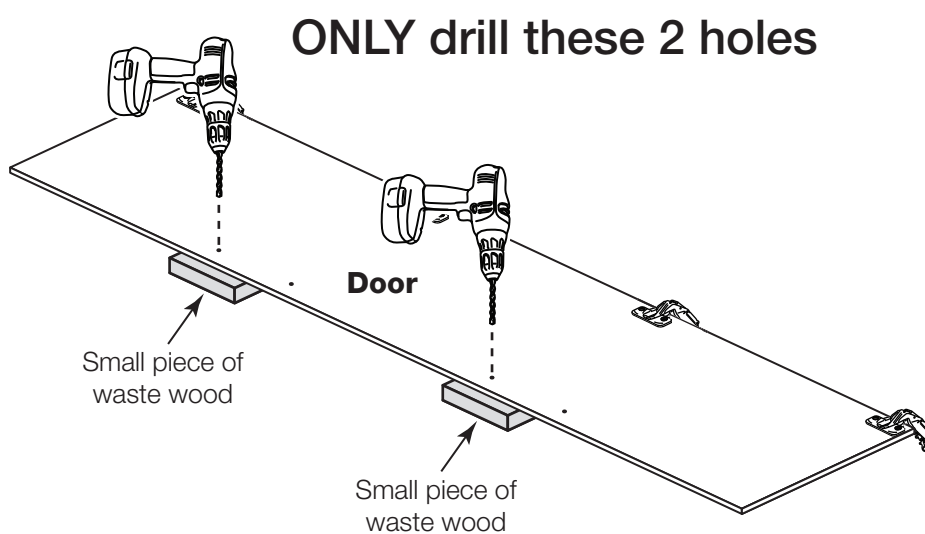
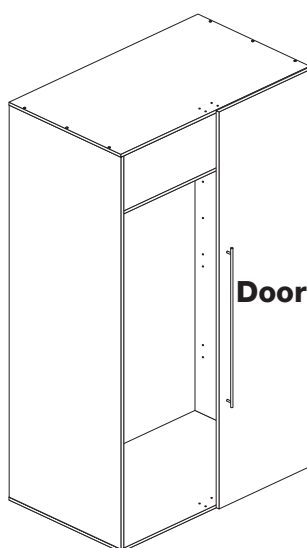
Using the pilot holes in the rear face of the door, drill through the 2 holes indicated opposite, using a 2.5mm diameter drill.

Turn the door over and open out the 2.5mm holes that you have just drilled by drilling back through them with a 5mm drill.

IMPORTANT

This step shows which handle holes to drill for a **RIGHT HAND DOOR**, as shown below.

Go to back to Step 21 if you need to drill a **LEFT HAND DOOR**.



Assembly Instructions

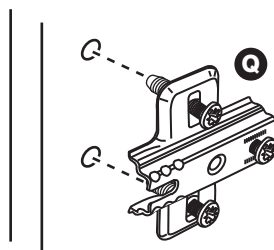
Step 23

Fit the hinge plates

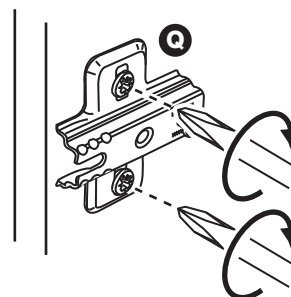
Line up the 2 screws in each hinge plate **Q** with the 2 holes in the end panel **1** and push them in.

When they have all been pushed into place, tighten the 2 screws on each hinge plate **Q**.

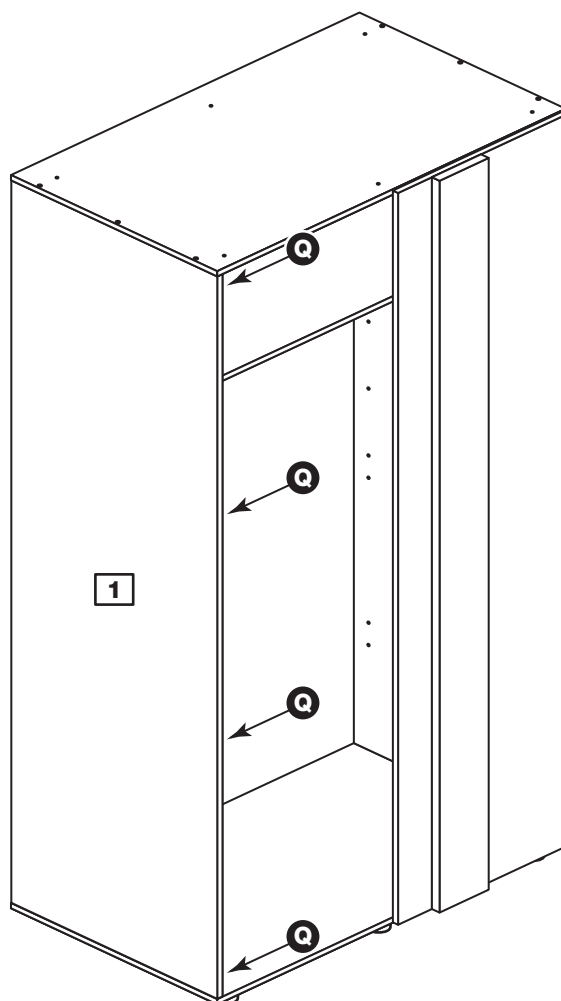
Press the screws into the holes in the panels



When the hinges have been pushed in, tighten up their screws



This shows the hinges for the door being fitted onto the left side of the robe.
You may wish to fit the door on the right side.



Assembly Instructions

Step 24

Fit door and handle

Note: The easiest way to attach the door is to fit the top hinge first, then align and fit the other hinges.

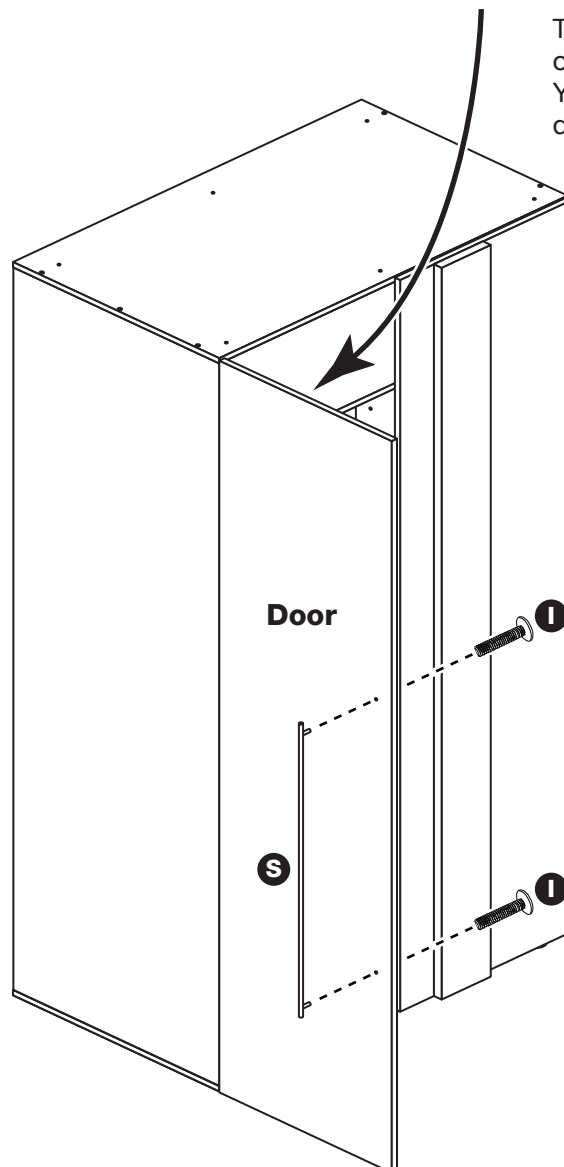
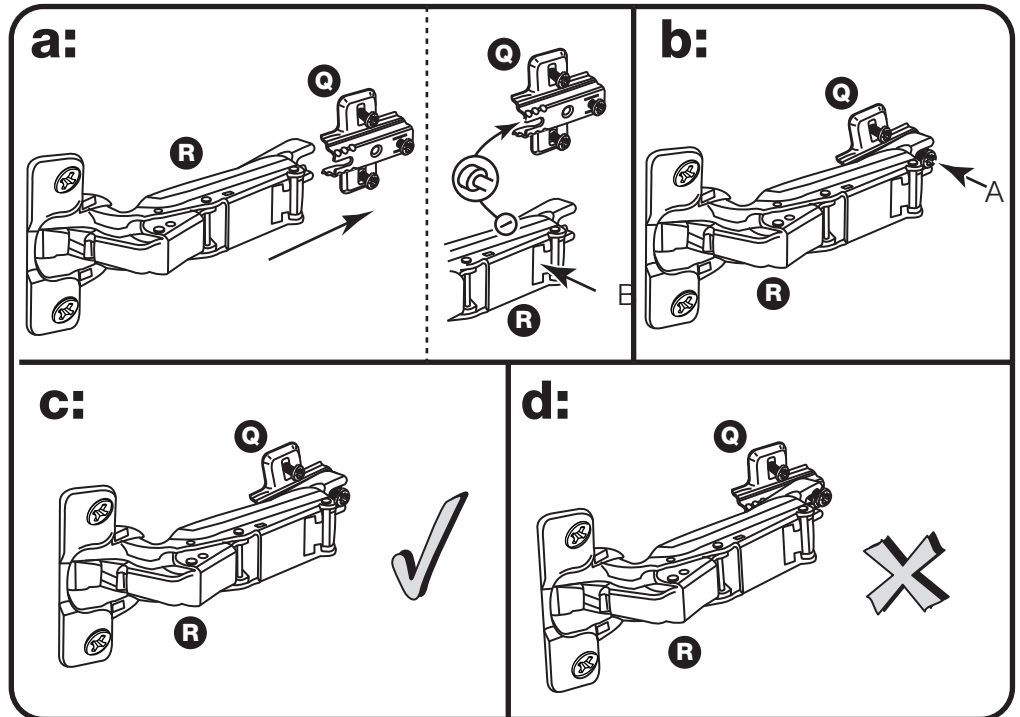
a: Push the hinge **R** onto the front part of the hinge plate **Q**. The lug at the bottom of screw B goes into the slot in the hinge plate.

b: Keep the hinge **R** FLAT against the hinge plate **Q** as you slide it across as far as it will go. Tighten screw A.

c: The hinge **R** must be flat against the hinge plate **Q** prior to any adjustment.

d: The hinge **R** must NOT be AT AN ANGLE to the hinge plate **Q** when assembled. This would indicate that the lug at the bottom of screw B had not located in the slot in the hinge plate and the hinge would not be secure. Remove the hinge from the hinge plate and then re-assemble being careful to follow instructions a-c.

e: Attach a handle **S** to the door using 2 screws **I**.



This shows the door being fitted onto the left side of the robe. You may have chosen to fit the door on the right side.



Warning: The door is heavy. Lift with care.

Assembly Instructions

Step 25

Adjust the door if needed

a: Before adjusting the door, use a spirit level to check the top (or base) of the unit is level, front-to-back and side-to-side in the 3 positions shown. Use suitable packing pieces (not supplied) to make the unit level BEFORE making any adjustment to the hinges, as shown.

b: Height adjustment.

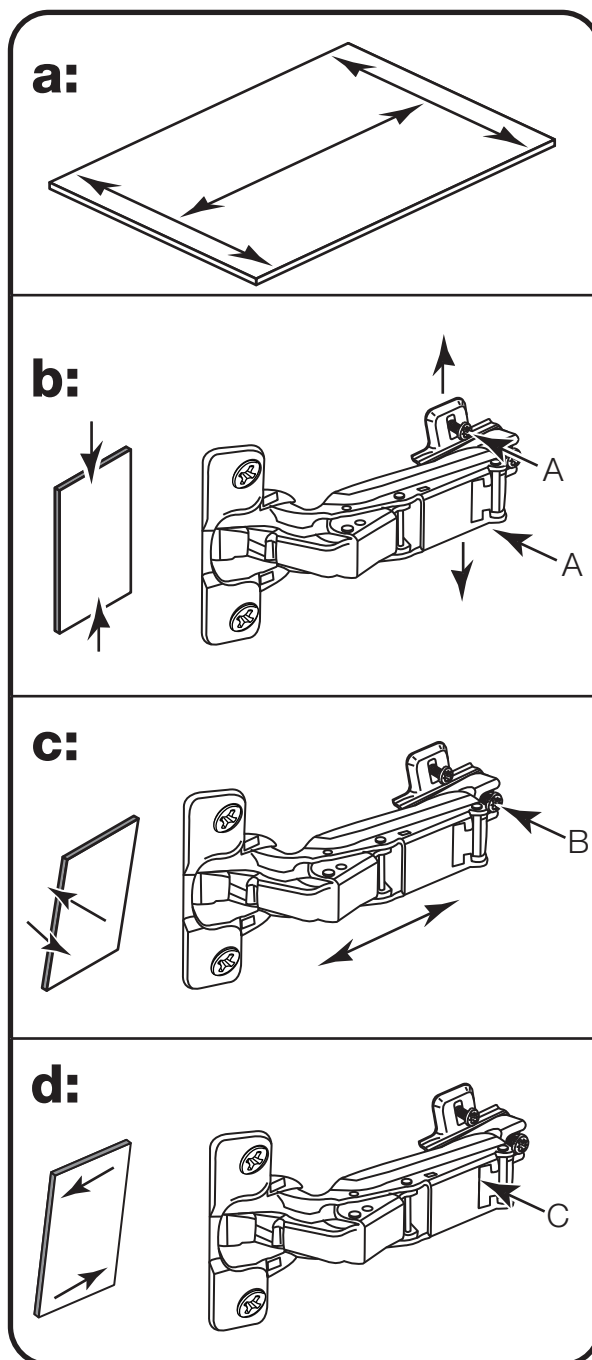
Loosen screws A on hinge plates and move door up or down as required. Retighten screw A.

c: Forward and Back adjustment.

Loosen screw B on hinge plate and move door in or out as required. Retighten screw B.

d: Sideways adjustment.

To move door 'out' loosen screw C inside the hinge. To move door 'in' tighten screw C inside the hinge.



Assembly Instructions

Step 26

Position your robes

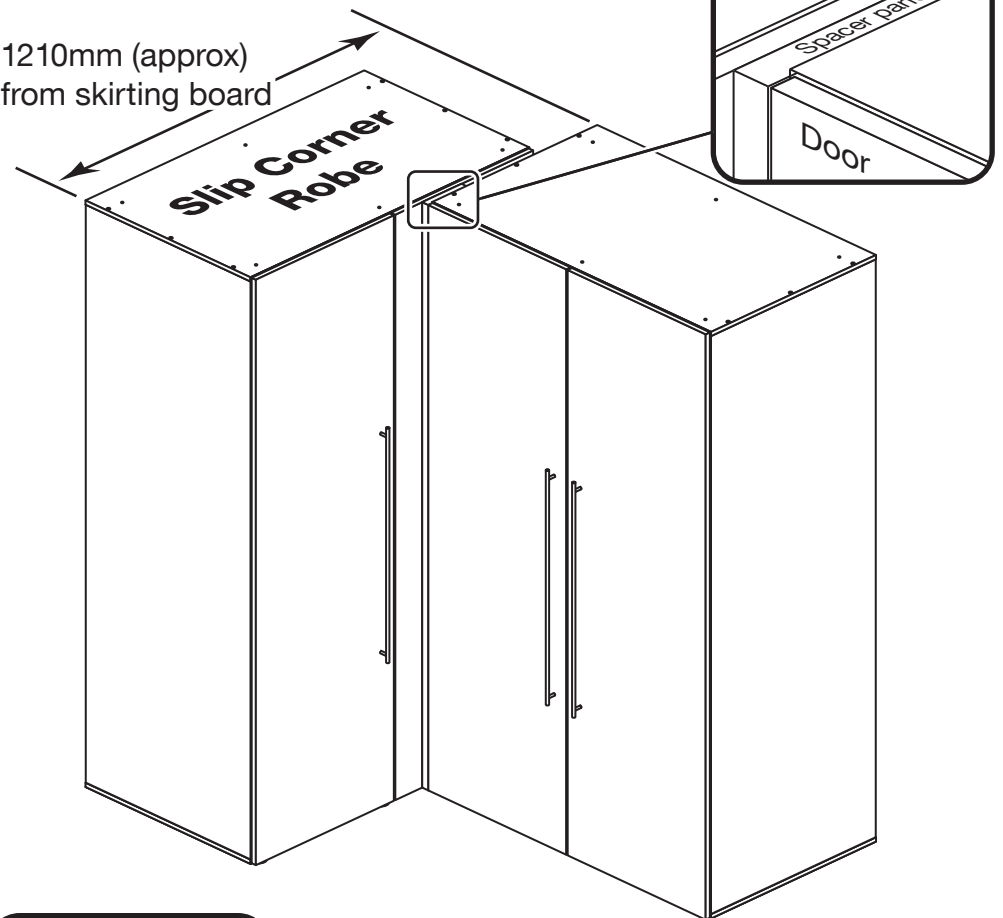
Place the slip corner robe in the required position, approximately 1210mm from the skirting board to the outside edge.

Push the other robe up against it so that the front face of its door panel aligns with the front edge of the door spacer panel on the slip corner robe.

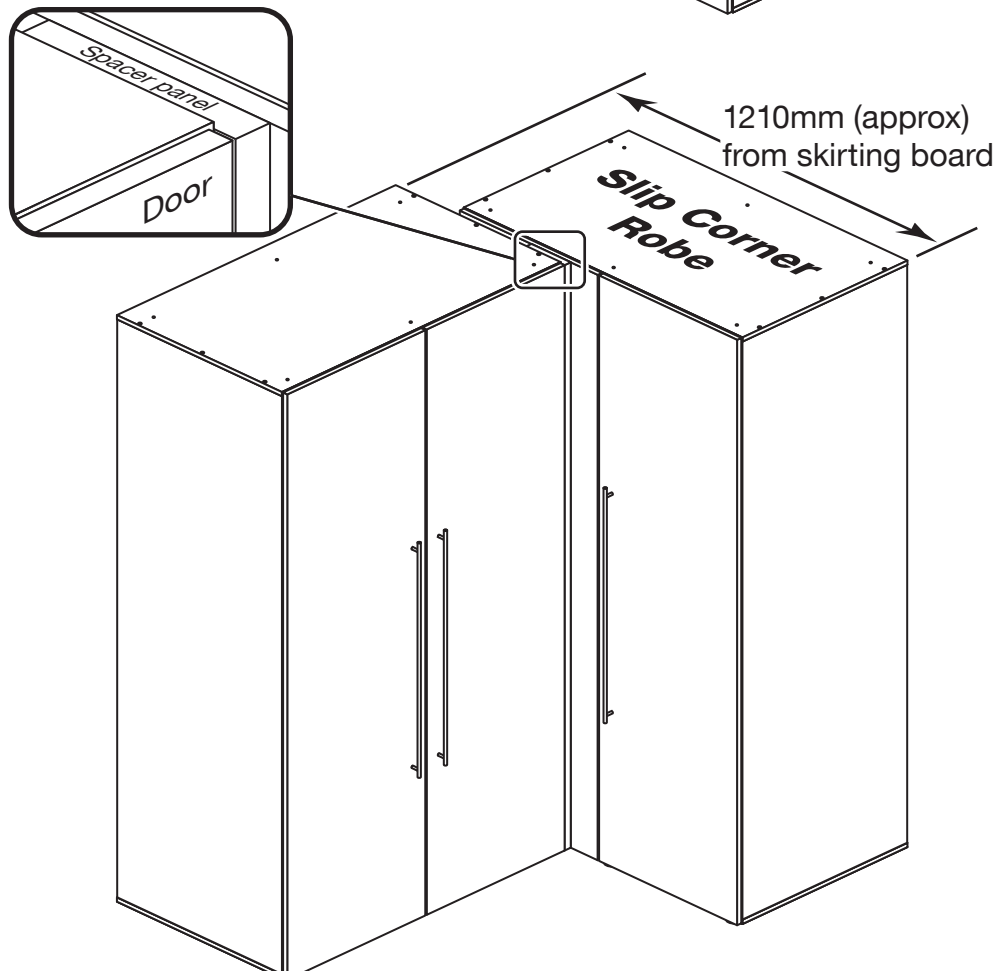


Warning: The units are heavy. Lift with care.

1210mm (approx)
from skirting board



1210mm (approx)
from skirting board



Assembly Instructions

Step 27

Fit the 2 brackets

To prevent possible overbalancing, we recommend that this unit is secured to a suitable wall by use of the 2 brackets **N** fitted to the top of the unit.

Fixings are not supplied, as they will need to suit the wall type and the length of screws will depend on the distance from the back of the unit to the wall.

Fix the brackets **N** loosely onto the top of the unit using screws **K** and mark the wall for the wall fixing.

Swivel the brackets **N** away from the wall and drill the holes in the wall using a suitable drill bit and fit your wall fixings.

Swivel the brackets **N** back and fix the brackets to the wall, then tighten the screws **K**.

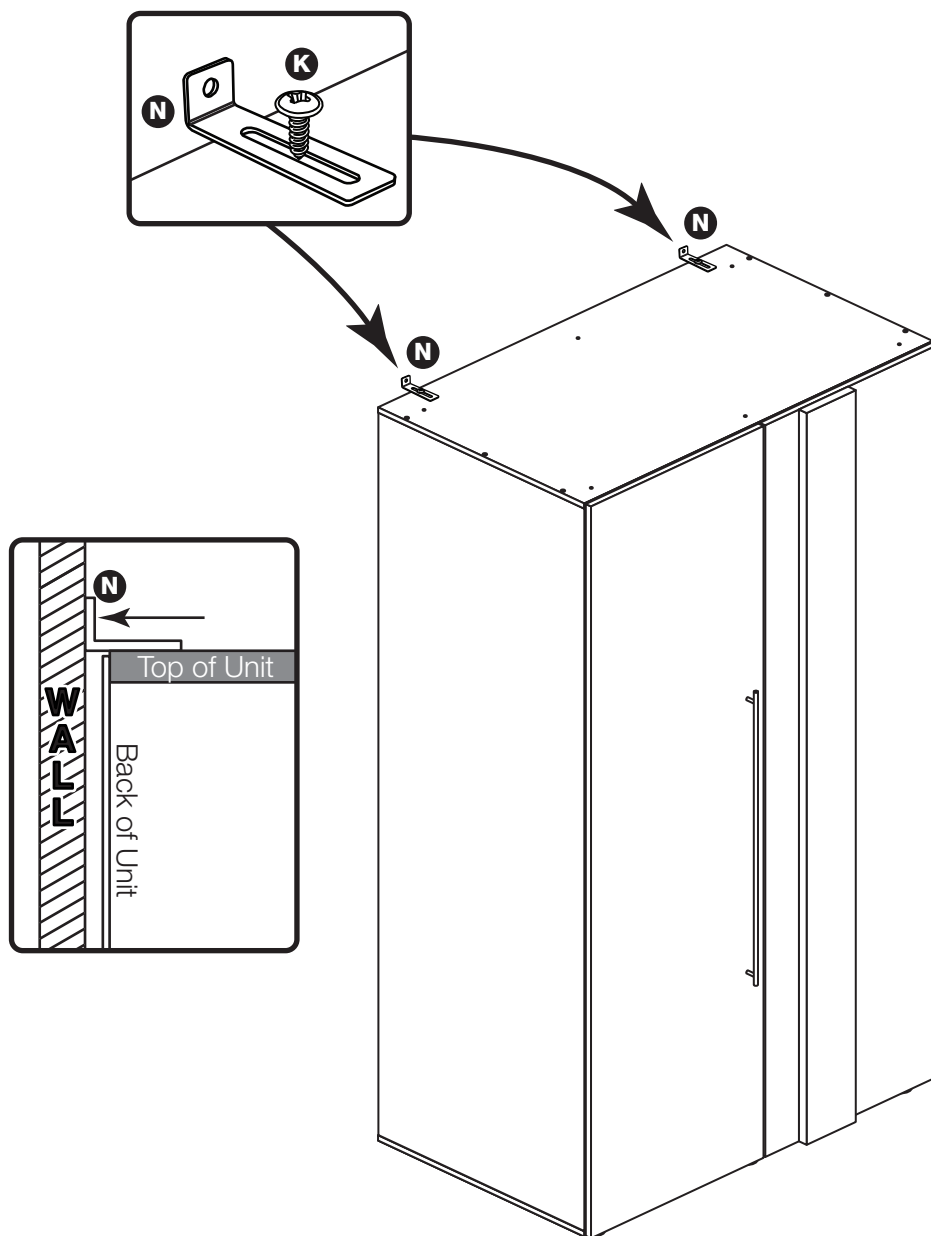
Note: Take care when drilling the wall that you do not drill into any pipes, wires etc. If in doubt, consult an expert.



Warning: The unit is heavy. Lift with care.

IMPORTANT

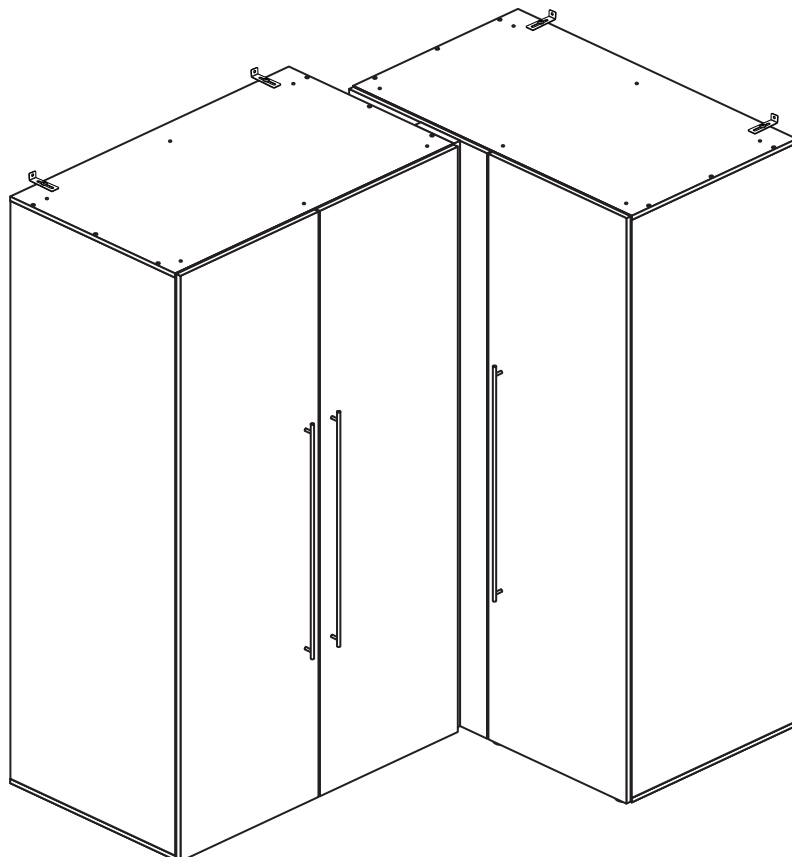
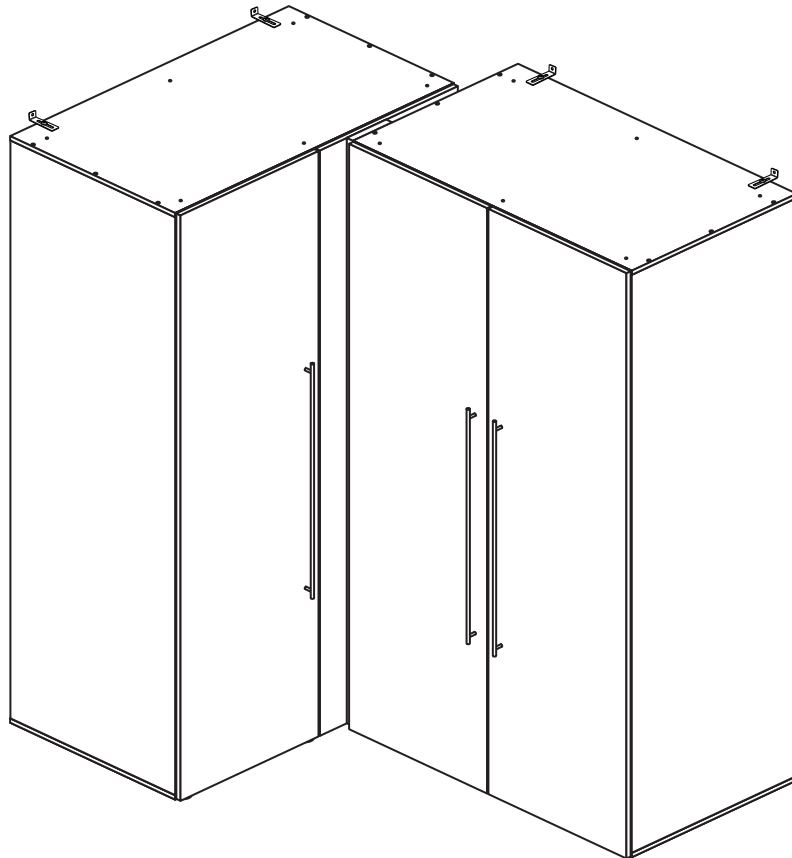
This unit **MUST** be fixed to a wall using both of the brackets supplied. The unit must be level and square before fitting the brackets.



Assembly Instructions

Step 28

Assembly is complete



If you need help or have damaged or missing parts, call the **Customer Helpline: 03456 400800** and quote the reference numbers on the component pages.

Argos Ltd, 489-499 Avebury Boulevard, Central Milton Keynes, MK9 2NW

