

Capella - 3 Door Mirror Robe

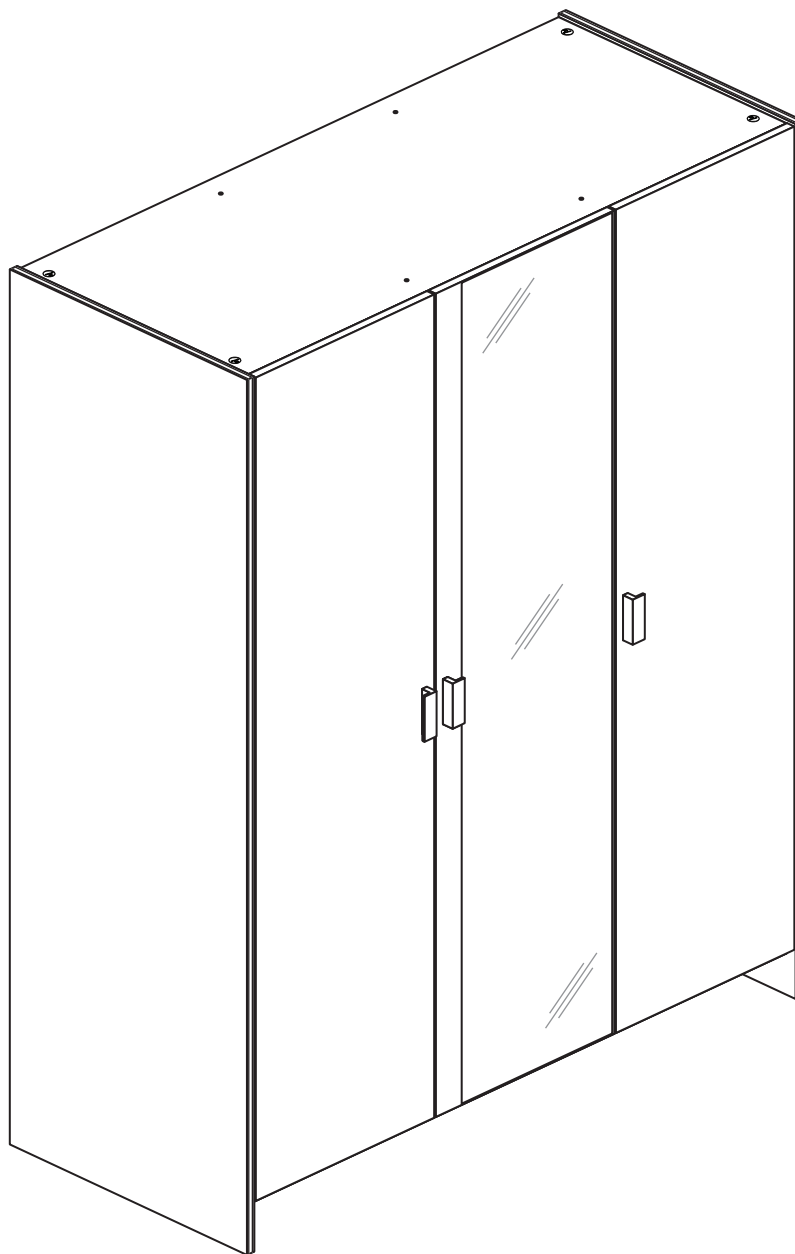
Assembly Instructions - Please keep for future reference

227/5390

246/3188

238/8005

257/8334



Dimensions

Width - 115cm

Depth - 49cm

Height - 181cm



**MADE IN
BRITAIN**

Important - Please read these instructions fully before starting assembly

If you need help or have damaged or missing parts, call the **Customer Helpline: 08456 400800**



Safety and Care Advice

Important - Please read these instructions fully before starting assembly

- **Warning:** This unit weighs approximately 75kgs. Please lift with care.

- Check you have all the components and tools listed on pages 2 and 3.

- Remove all fittings from the plastic bags and separate them into their groups.

- Keep children and animals away from the work area, small parts could choke if swallowed.

- Parts of the assembly will be easier with 2 people.

- Make sure you have enough space to layout the parts before starting.

- Do not stand or put weight on the product, this could cause damage.

- Assemble the item as close to its final position (in the same room) as possible.

- Assemble on a soft level surface to avoid damaging the unit or your floor (use opened out unit carton).



- We do not recommend the use of power drill/drivers **for inserting screws**, as this could damage the unit. Only use hand screwdrivers.

- **Safety note:** It is recommended that this unit is secured to a wall using the bracket supplied.

- Dispose of all packaging carefully and responsibly.

Care and maintenance

- Only clean using a damp cloth and mild detergent, do not use bleach or abrasive cleaners.

- From time to time check that there are no loose screws on this unit.

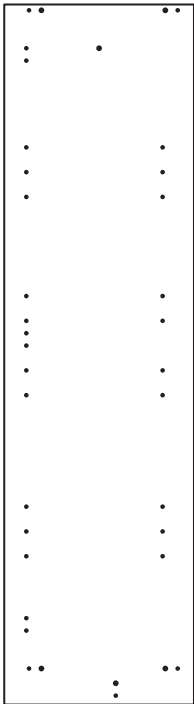
- This product should not be discarded with household waste. Take to your local authority waste disposal centre.

Note: If required the next page can be cut out and used as reference throughout the assembly. Keep this page with these instructions for future reference.

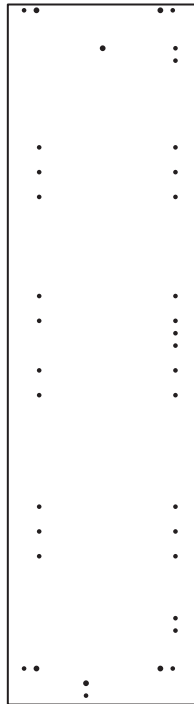
Components - Panels

If you have damaged or missing components, call the **Customer Helpline: 08456 400800** quoting the reference numbers below

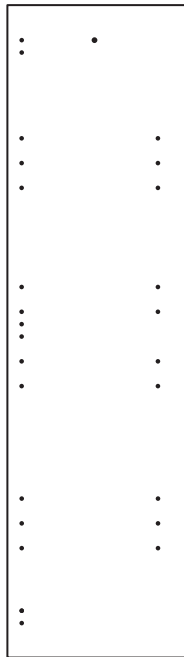
Please check you have all the panels listed below



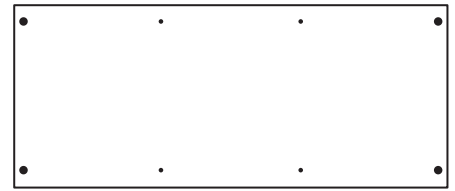
1 Left Side (D1013A)
(1808 x 490mm)



2 Right Side (D1014A)
(1808 x 490mm)



3 Long Divider (D1021A)
(1685 x 470mm)



4 Top/Base (D1018A)
(1119 x 471mm) x 2



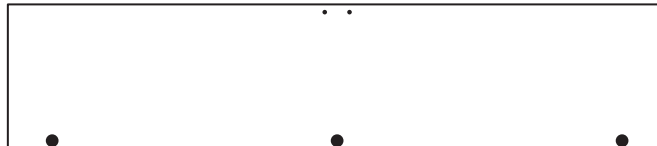
5 Plinth (D1024A)
(1119 x 85mm)



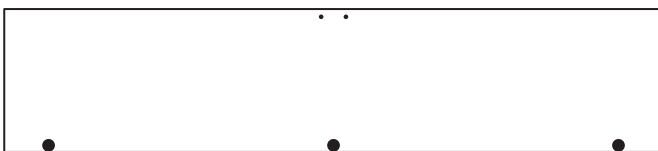
6 Hanging Rail (FHR722)
(722mm long)



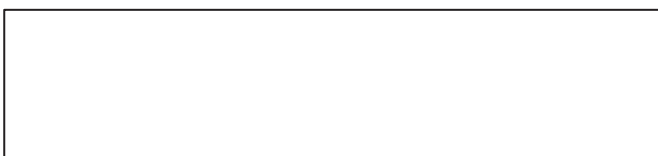
7 Loose Shelf (D1023A)
(369.5 x 469mm) x 3



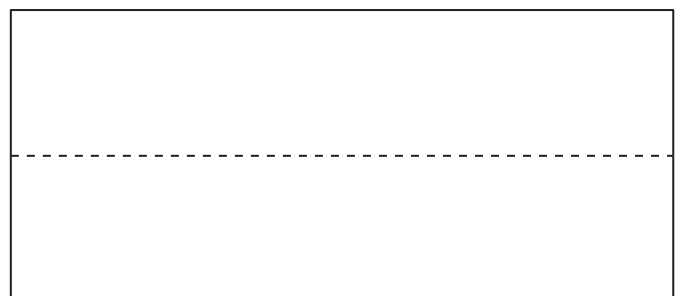
8 Standard Door (D1017A)
(1701 x 369mm) x 2



9 Mirror Door (D1017MA)
(1701 x 369mm) x 1
(Mirror - SG13 - 1696 x 311mm
4mm Safety Back SAR)



10 Small Back (X831A)
(1711 x 392mm)



11 Large Back (X830A)
(1711 x 753mm)


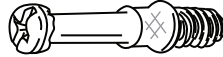
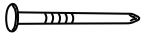






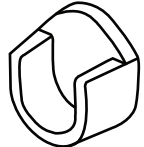
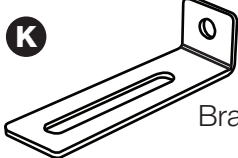
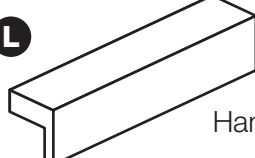
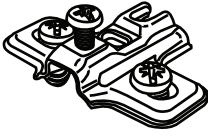
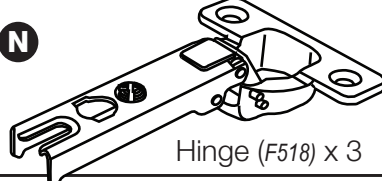

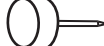

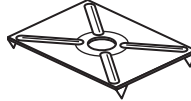


Components - Fittings


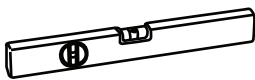

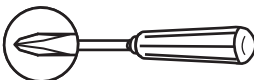

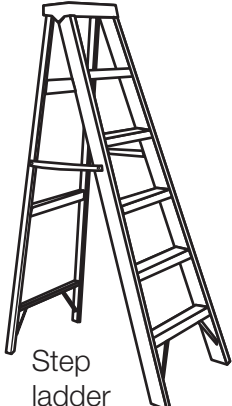
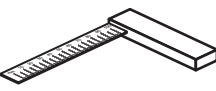


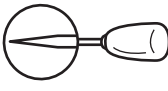
If you have damaged or missing components, call the **Customer Helpline: 08456 400800** quoting the reference numbers below

Please check you have all the fittings listed below

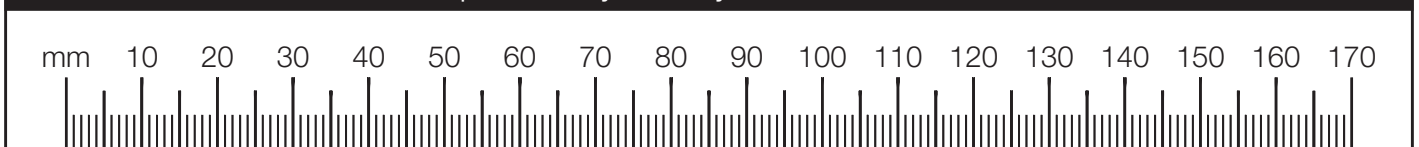
Note: The quantities below are the correct amount to complete the assembly. In some cases more fittings may be supplied than are required.

A  Wooden dowel (F22) x 10	B  Metal dowel (F901) x 10	C  Nail (F51) x 40
D  Large locking nut (F900) x 10	E  40mm Screw (F910) x 4	F  Shelf stud (F110) x 12
G  25mm Screw (F50) x 6	H  13mm Screw (F79) x 1	I  13mm Screw (F63) x 18
J  Rail holder (F1014) x 2	K  Bracket (F327) x 1	L  Handle (F930) x 3
M  Hinge plate (F523) x 9	N  Hinge (F518) x 3	O  Hinge (F522) x 6
P  Plastic Nail (F91) x 5	Q  Nail screw (F277) x 6	R  Back holder (F276) x 6 *These can also be round

Tools required

 Rule	 Spirit level	 Eye protection (when using a hammer or drill)	 Cross-head screwdriver	 Electric drill (only use when drilling into walls)	 Step ladder
 Square	 Scissors	 Hammer	 Bradawl		

Ruler - Use this ruler to help correctly identify the screws



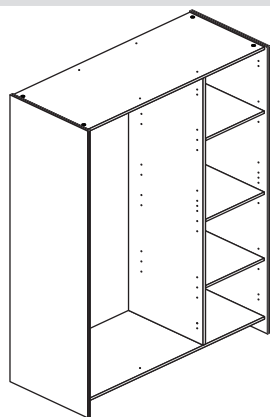
Assembly Instructions

If you have damaged or missing components, call the **Customer Helpline: 08456 400800** quoting the reference numbers below

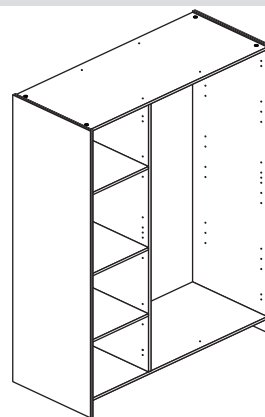
Step 1

Choose which side you would like the shelves

Shelves on the right side



Shelves on the left side



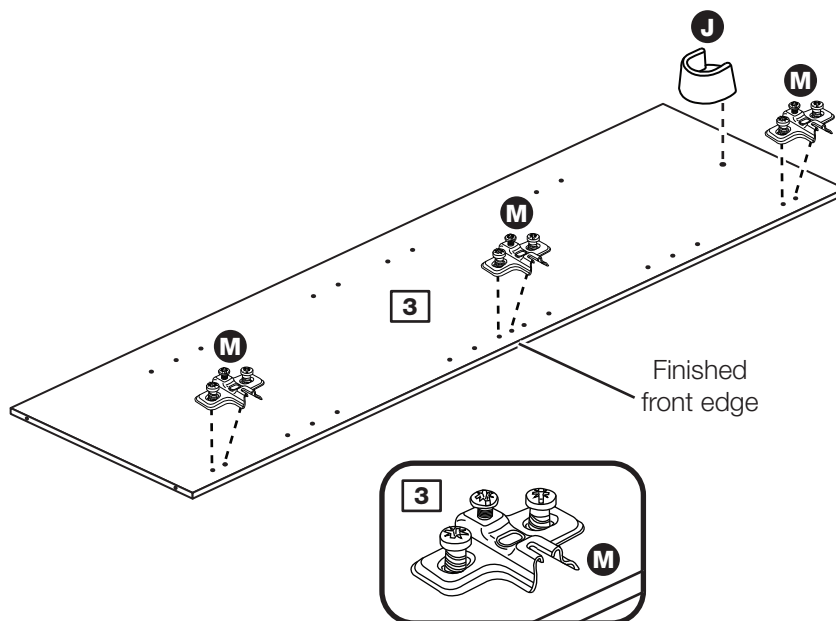
Step 2

Prepare the long divider

Only carry out this step if you have chosen to fit the shelves on the right side.

Fit 3 hinge plates **M** onto the long divider **3**, making sure that the slot is facing towards the finished front edge.

Push a rail holder **J** into the long divider **3**. Make sure that it is fitted straight, in line with the panel edges.



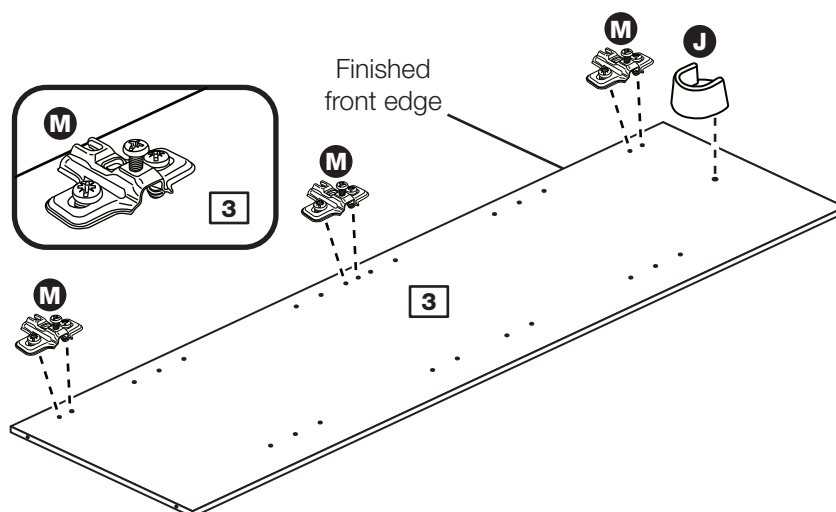
Step 3

Prepare the long divider

Only carry out this step if you have chosen to fit the shelves on the left side.

Fit 3 hinge plates **M** onto the long divider **3**, making sure that the slot is facing towards the finished front edge.

Push a rail holder **J** into the long divider **3**. Make sure that it is fitted straight, in line with the panel edges.



Assembly Instructions

Step 4

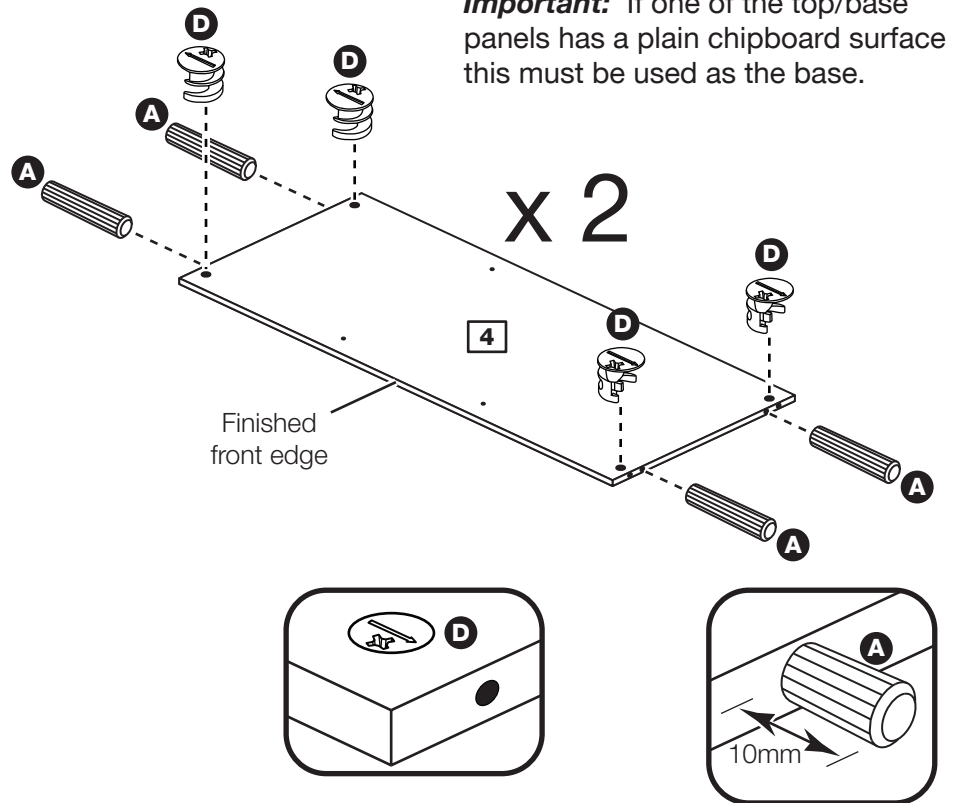
Prepare the top and base

Tap 4 wooden dowels **A** into the top **4** and base **4** as shown.

Note: Wooden dowels **must not** stick out from the edge by more than 10mm or they may damage other panels.

Insert 4 large locking nuts **D** into the top **4** and base **4** as shown.

Note: The arrow on the locking nut **must** point towards the hole in the edge of the panel.



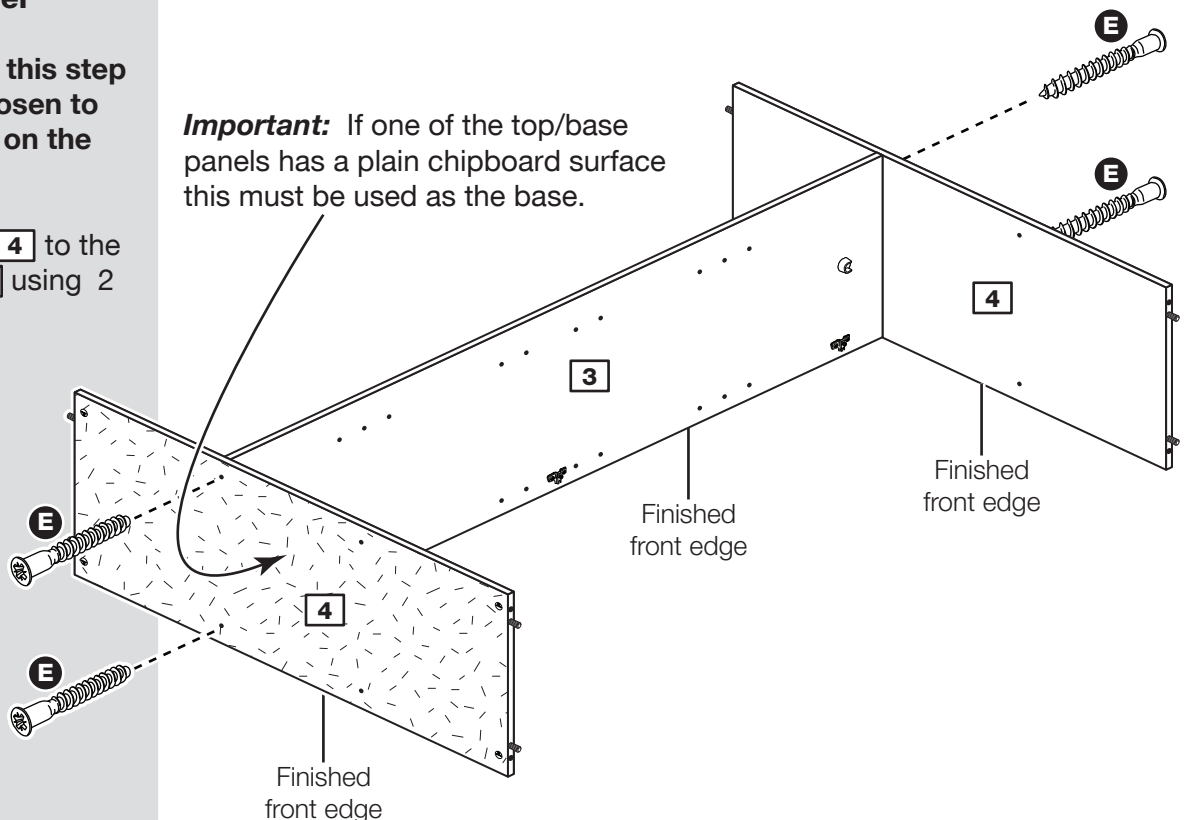
Step 5

Fit top and base to the long divider

Only carry out this step if you have chosen to fit the shelves on the right side.

Attach the top **4** to the long divider **3** using 2 screws **E**.

Attach the base **4** to the long divider **3** using 2 screws **E**.



Assembly Instructions

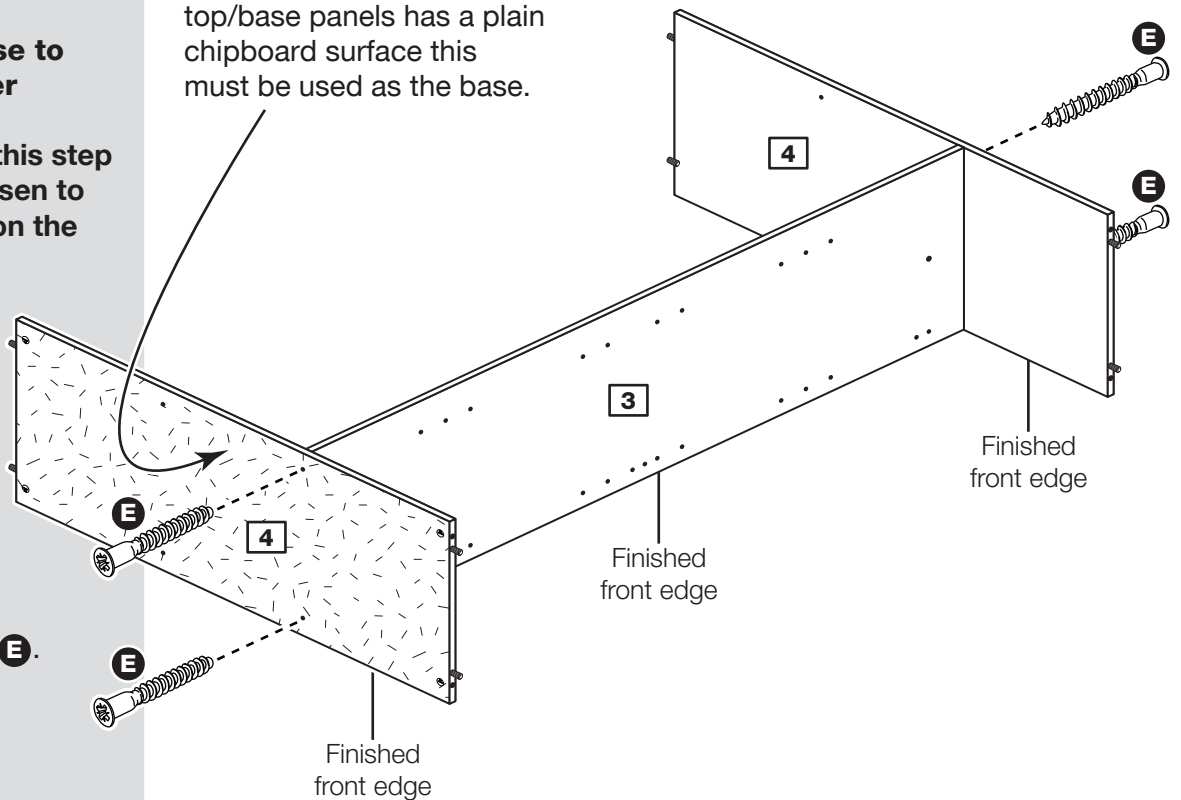
Step 6

Fit top and base to the long divider

Only carry out this step if you have chosen to fit the shelves on the left side.

Attach the top **4** to the long divider **3** using 2 screws **E**.

Attach the base **4** to the long divider **3** using 2 screws **E**.



Step 7

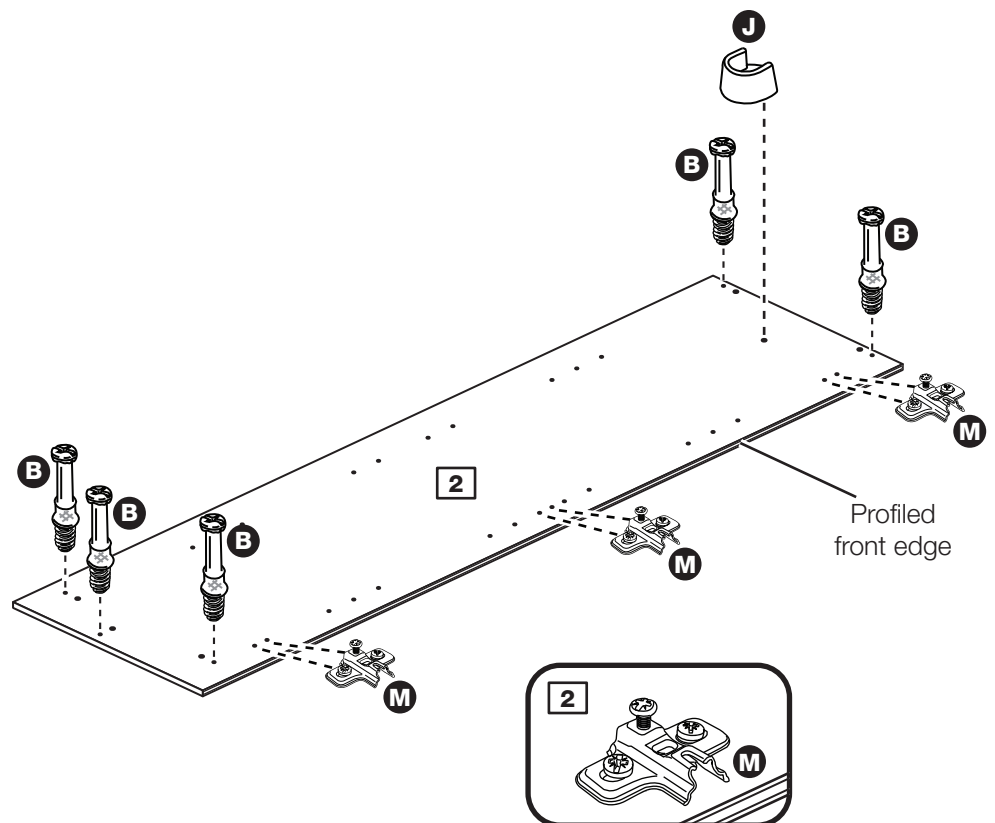
Prepare the right side

Fit 3 hinge plates **M** onto the right side **2**, making sure that the slot is facing towards the finished front edge.

Screw 5 metal dowels **B** into the right side **2**.

Note: Tighten the metal dowels up fully against the panels.

Refer to step 1 and, **only if you have chosen to put the shelves on the left side**, push a rail holder **J** into the right side **2**. Make sure that it is fitted straight, in line with the panel edges.



Assembly Instructions

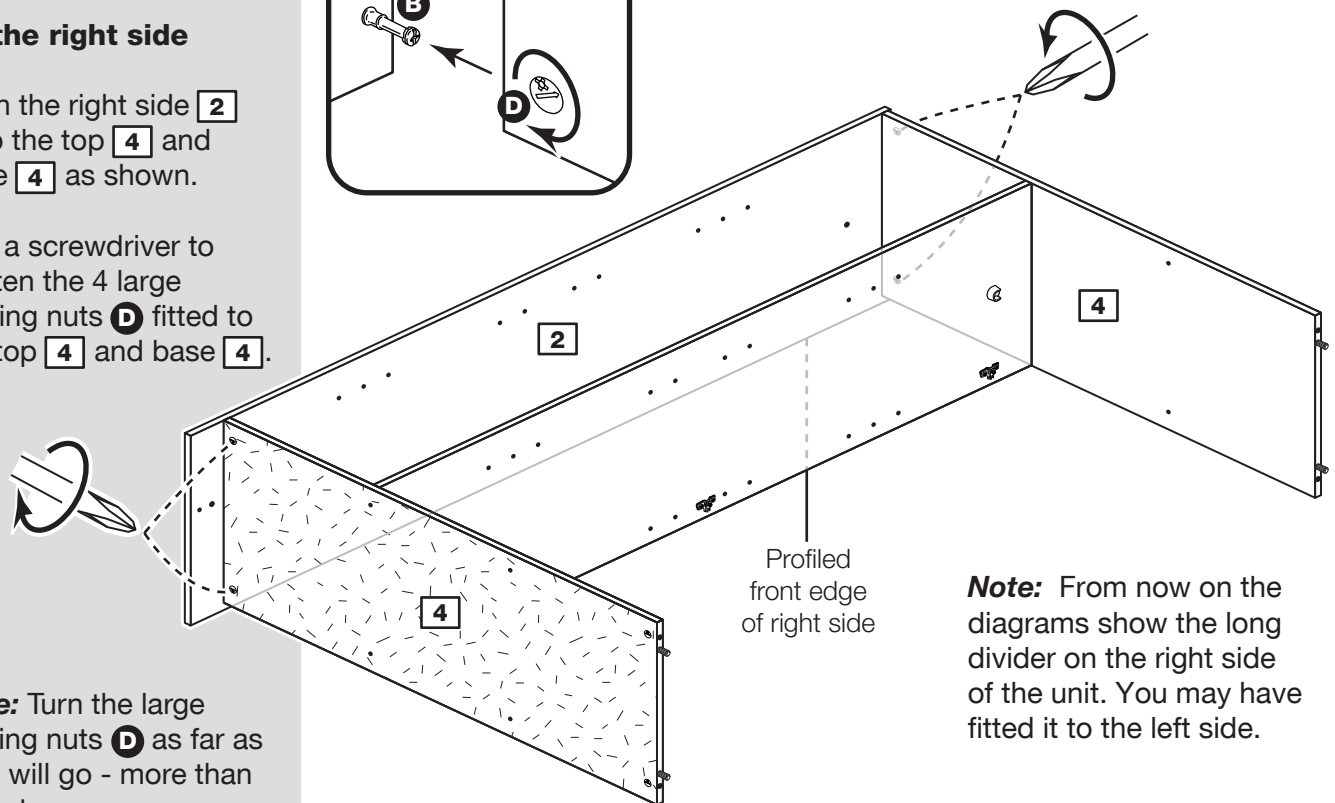
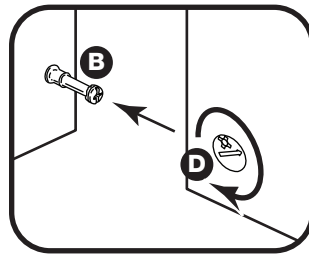
Step 8

Fit the right side

Push the right side **2** onto the top **4** and base **4** as shown.

Use a screwdriver to tighten the 4 large locking nuts **D** fitted to the top **4** and base **4**.

Note: Turn the large locking nuts **D** as far as they will go - more than 1/2 a turn.



Note: From now on the diagrams show the long divider on the right side of the unit. You may have fitted it to the left side.

Step 9

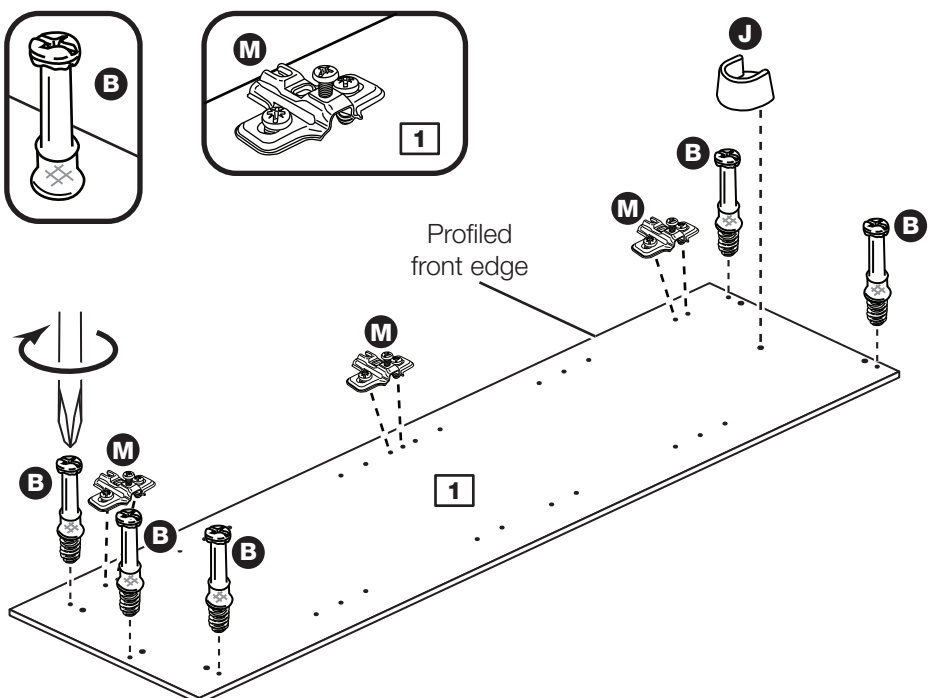
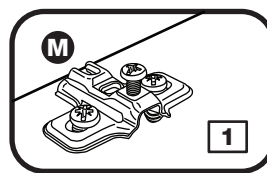
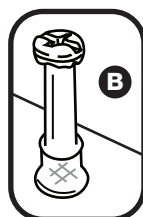
Prepare the left side

Fit 3 hinge plates **M** onto the left side **1**, making sure that the slot is facing towards the finished front edge.

Screw 5 metal dowels **B** into the left side **1**.

Note: Tighten the metal dowels up fully against the panels.

Refer to step 1 and, **only if you have chosen to put the shelves on the right side**, push a rail holder **J** into the left side **1**. Make sure that it is fitted straight, in line with the panel edges.



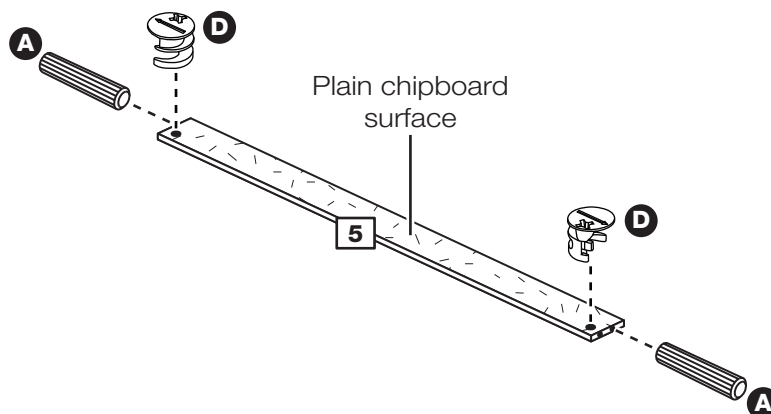
Assembly Instructions

Step 10

Prepare the plinth

Tap 2 wooden dowels **A** into the plinth **5**.

Insert 2 large locking nuts **D** into the plinth **5**.

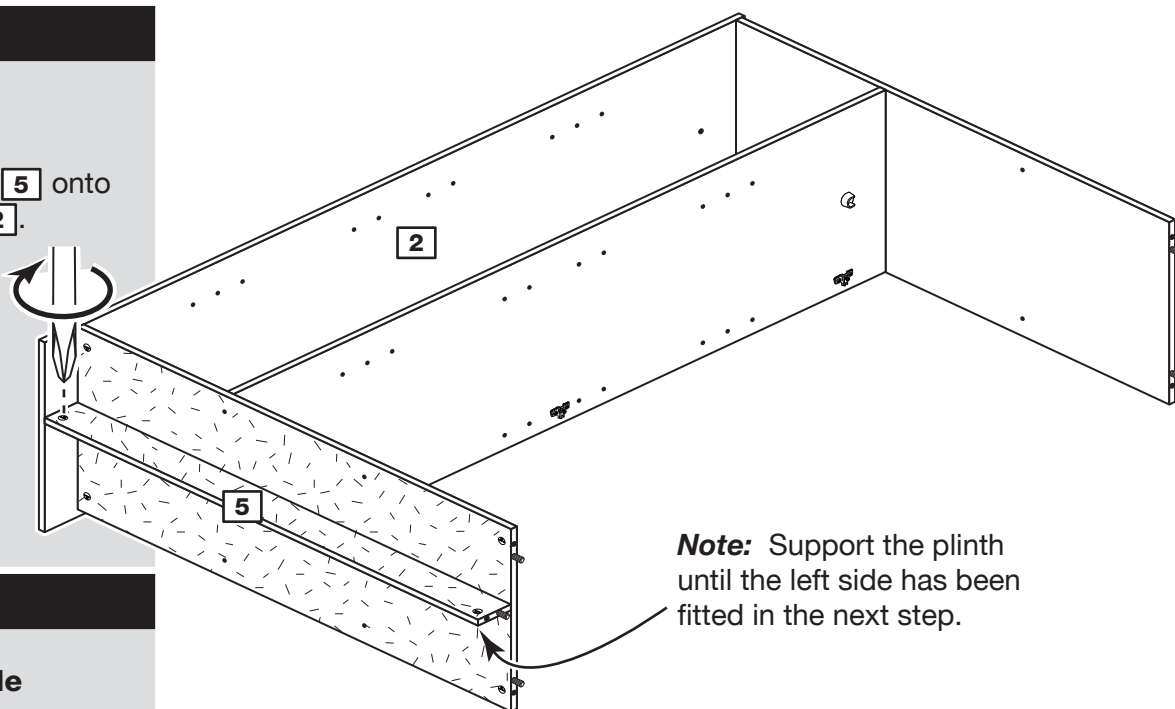


Step 11

Fit the plinth

Push the plinth **5** onto the right side **2**.

Use a screwdriver to tighten the large locking nut **D** fitted to the plinth **5**.

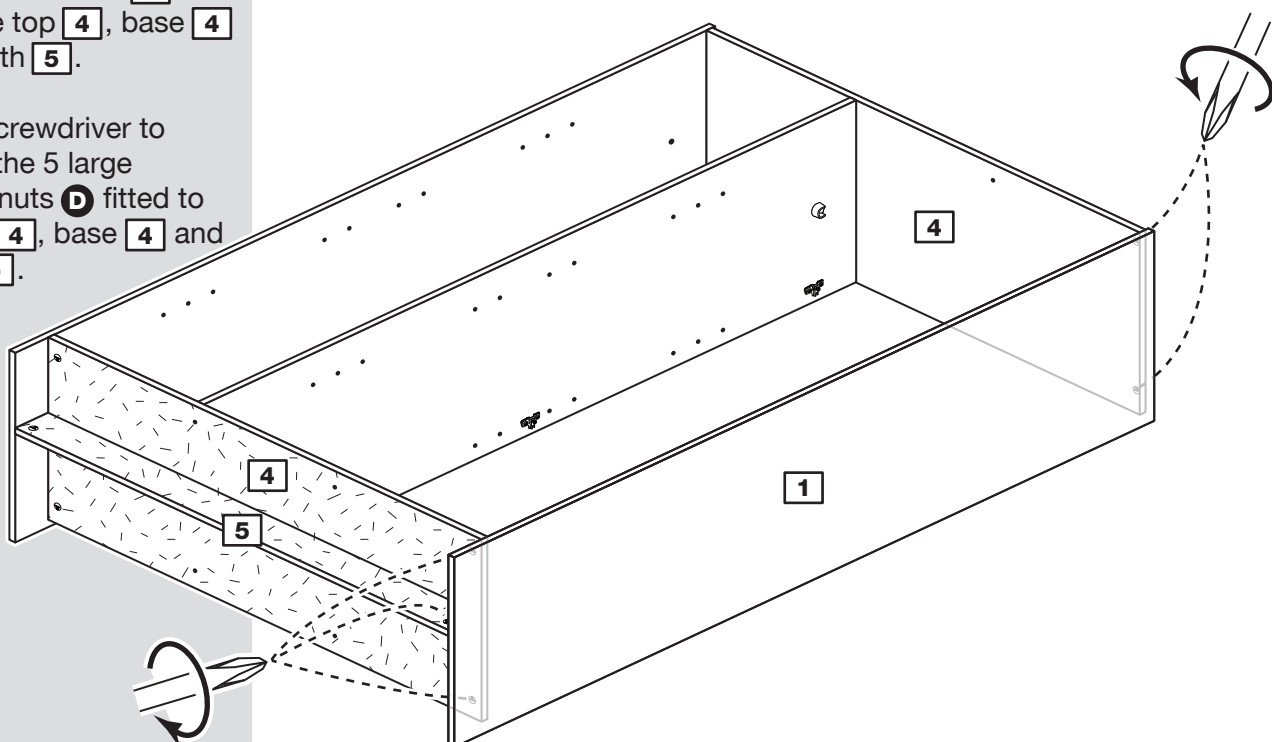


Step 12

Fit the left side

Push the left side **1** onto the top **4**, base **4** and plinth **5**.

Use a screwdriver to tighten the 5 large locking nuts **D** fitted to the top **4**, base **4** and plinth **5**.



Assembly Instructions

Step 13

Fit the back panels

a: Square up the unit by making sure that measurement **x to x** equals **y to y**.

b: Place the small back **10** and large back **11** coloured surface facing down, onto the unit as shown.

Make sure that the 2 backs **10** and **11** are pushed up tight against each other and that they meet in the centre of the long divider's **3** back edge.

Nail **C** around the outside edges of the 2 backs **10** and **11**.

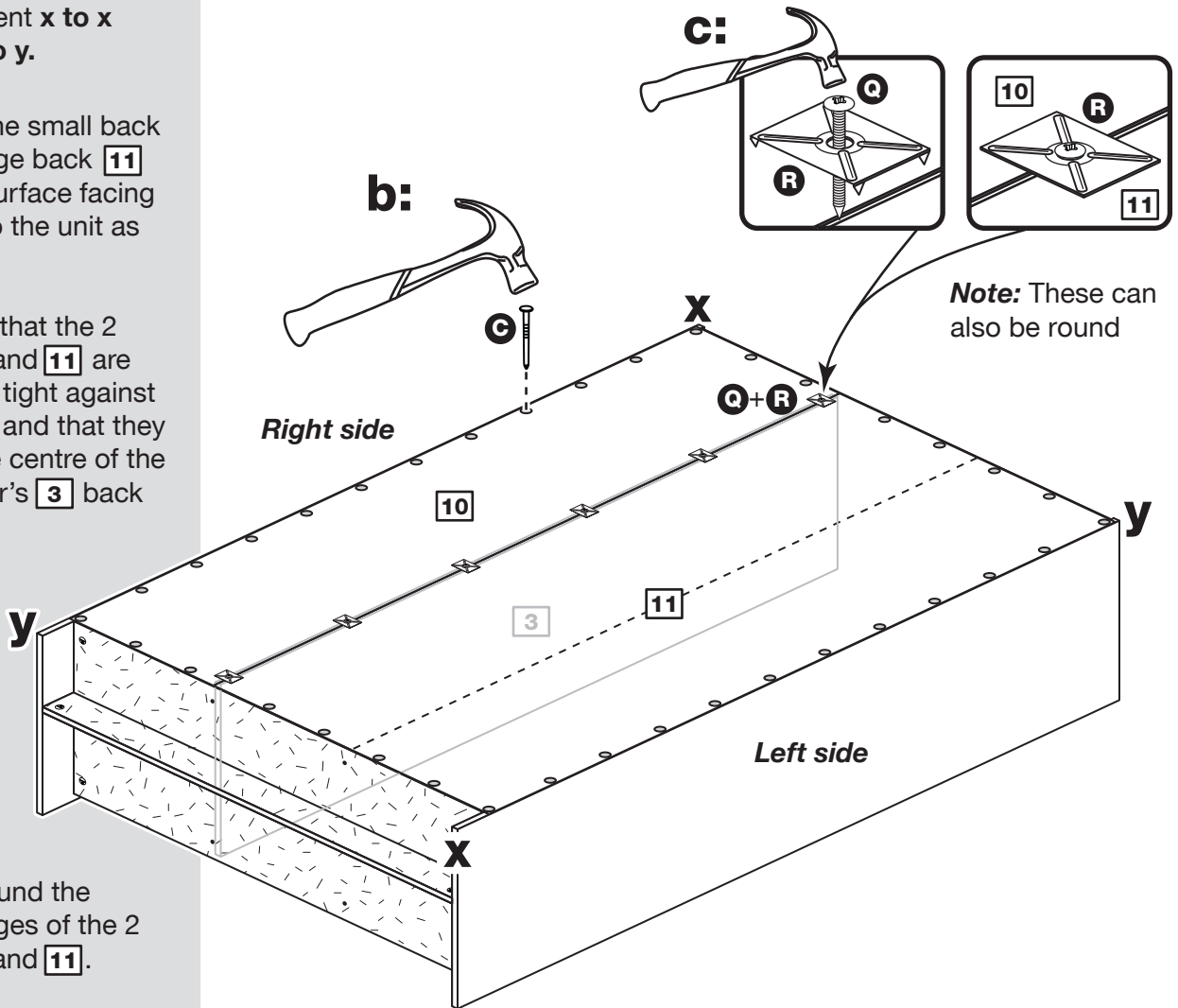
Note: Do not nail where the 2 backs meet. Nails should be spaced out evenly.

c: Push the 6 nail screws **Q** through the 6 back holders **R** and tap them down between the 2 backs **10** and **11** and into the back edge of the long divider **3**.

Keep tapping the nail screws **Q** in until the back holders **R** dig into the backs.

Important: If you have fitted the long divider on the left side of the unit the backs will need to go the opposite way around i.e. the small back on the left side and the large back on the right side.

a: The measurement from top corner X to bottom corner X must be equal to the measurement from top corner Y to bottom corner Y



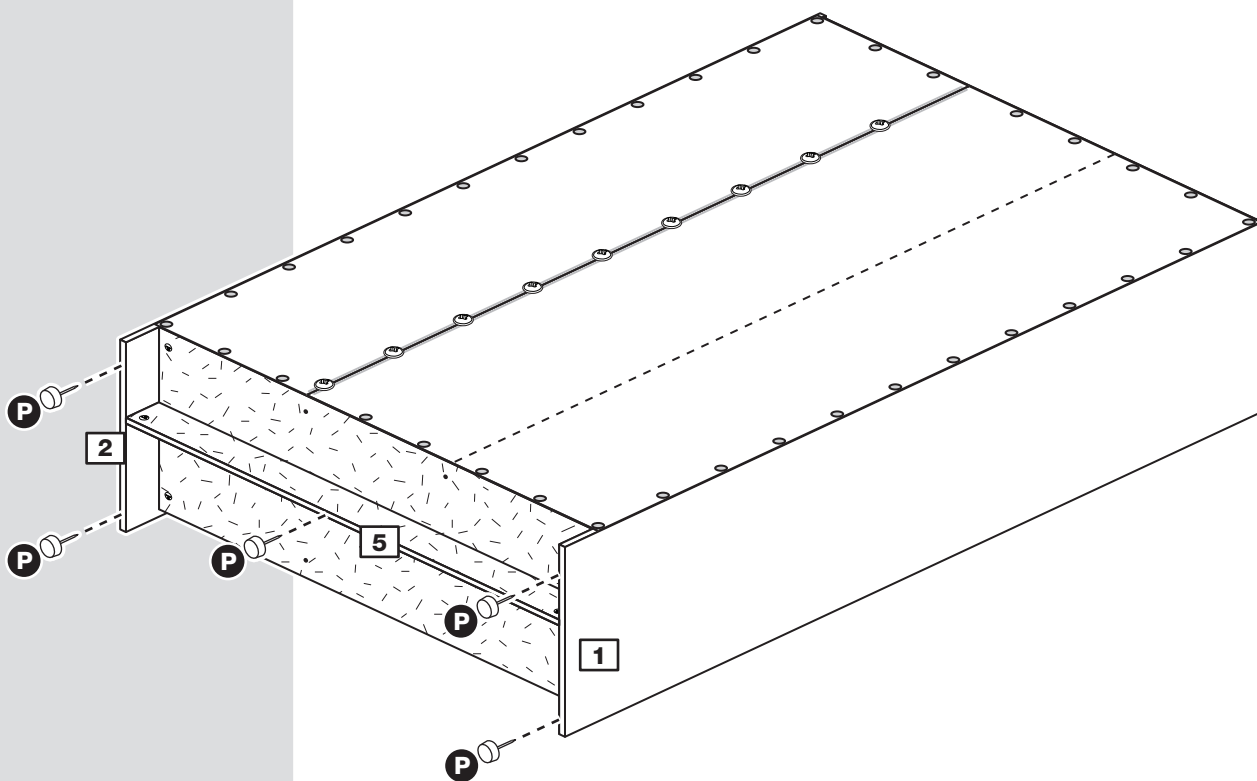
Warning: The unit is heavy. Lift with care.

Assembly Instructions

Step 14

Fit the 5 plastic nails

Tap 2 plastic nails **P** into the bottom edge of each of the sides **1** and **2** and 1 into the plinth **5**.



Stand the unit up for the next step.



Warning: The unit is heavy. Lift with care.

Assembly Instructions

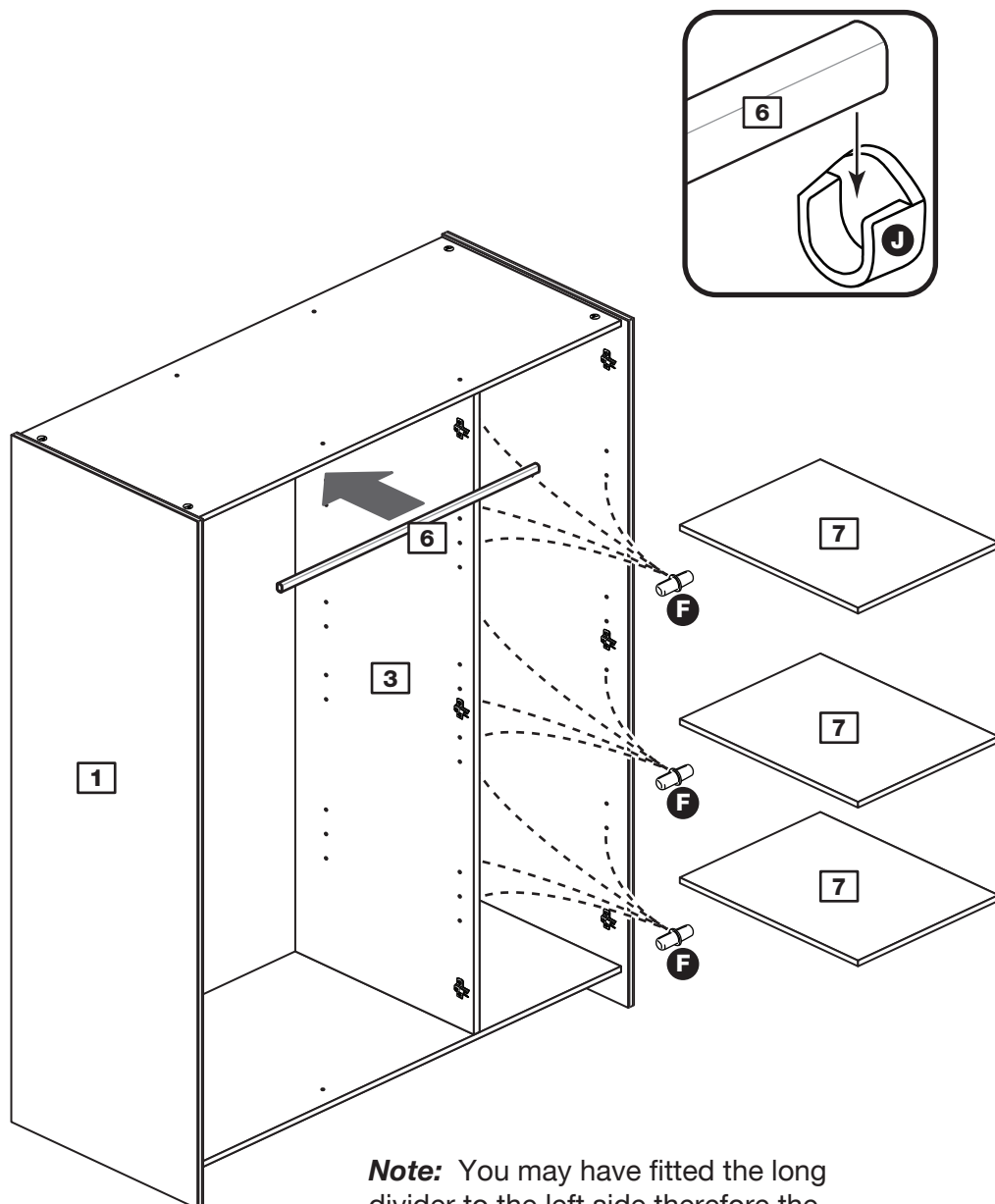
Step 15

Fit the hanging rail and shelves

Push the hanging rail **6** into the rail holders **J** fitted to the left side **1** and long divider **3**.

For each of the 3 shelves **7**, insert 4 shelf studs **F** at the required height.

Lower the 3 shelves **7** down onto the shelf studs **F**.



Note: You may have fitted the long divider to the left side therefore the shelves will go on the left and the hanging rail on the right.

Assembly Instructions

Step 16

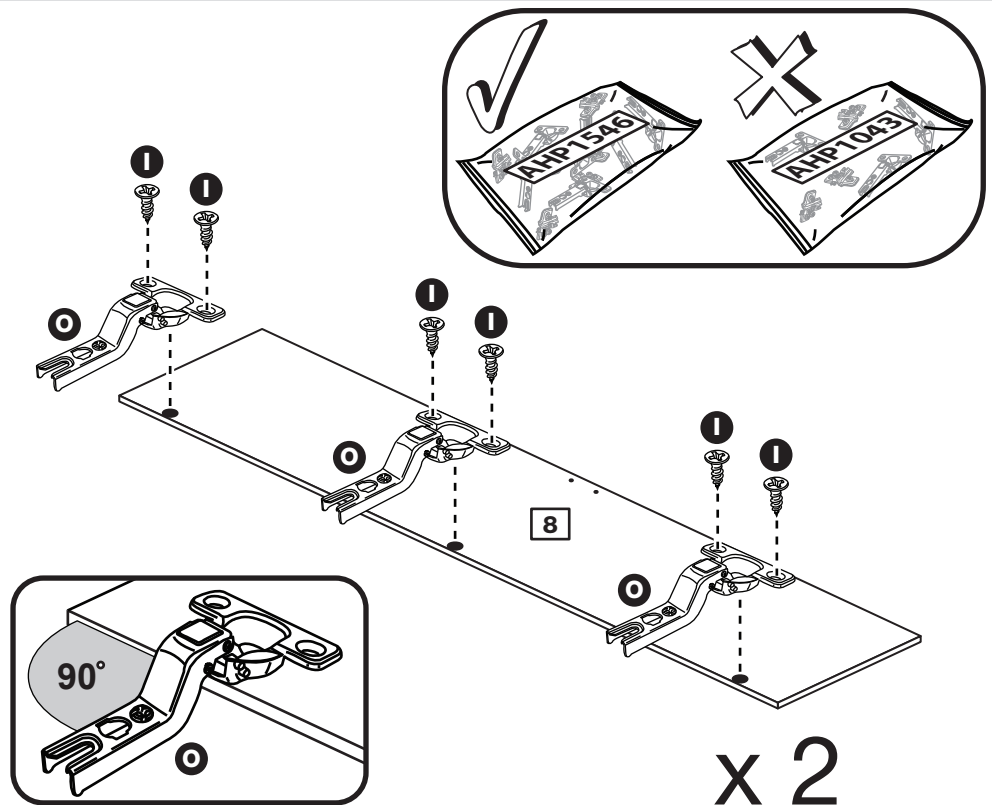
Prepare the 2 standard doors

Important: The 6 hinges used in this step are in the bag marked as **AHP1546**.

Push fit 3 hinges **O** into each standard door **8**.

Secure each hinge with 2 screws **I**.

Note: Before securing with the screws, make sure that the hinges are positioned at 90 degrees with the edge of the door.



Step 17

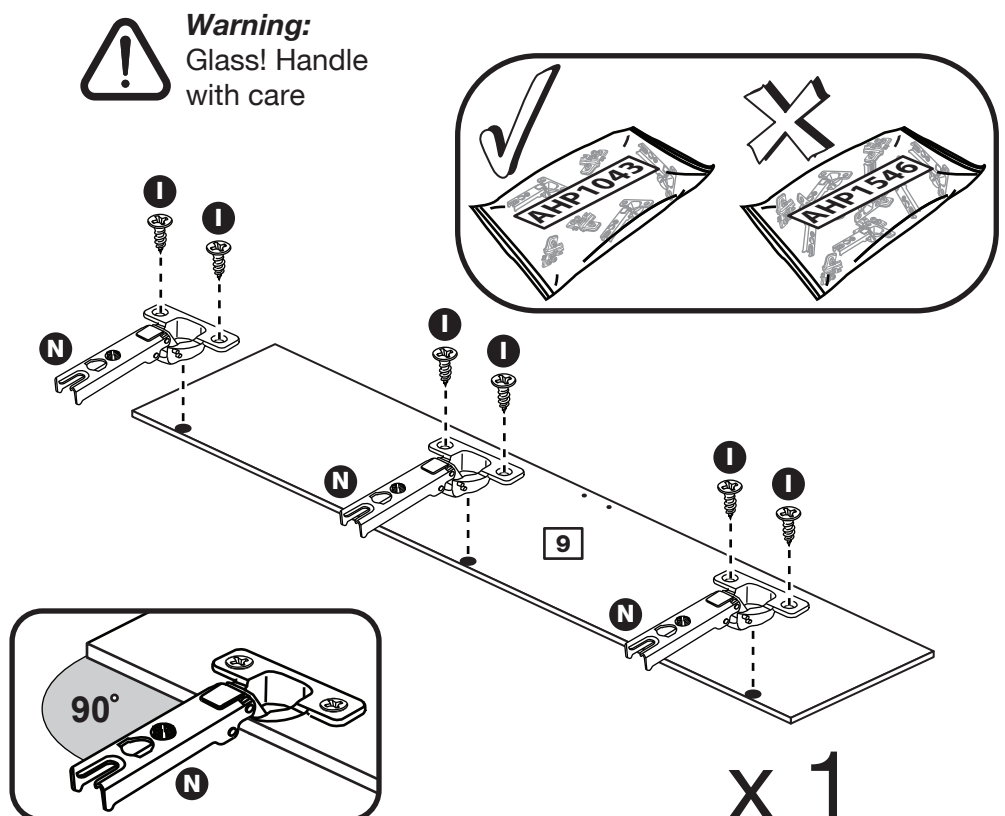
Prepare the mirror door

Important: The 3 hinges used in this step are in the bag marked as **AHP1043**.

Push fit 3 hinges **N** into the mirror door **9**.

Secure each hinge with 2 screws **I**.

Note: Before securing with the screws, make sure that the hinges are positioned at 90 degrees with the edge of the door.



Assembly Instructions

Step 18

Fit the standard doors and handles

Note: The easiest way to attach each door [8] is to fit the top hinge first, then align and fit the other hinges.

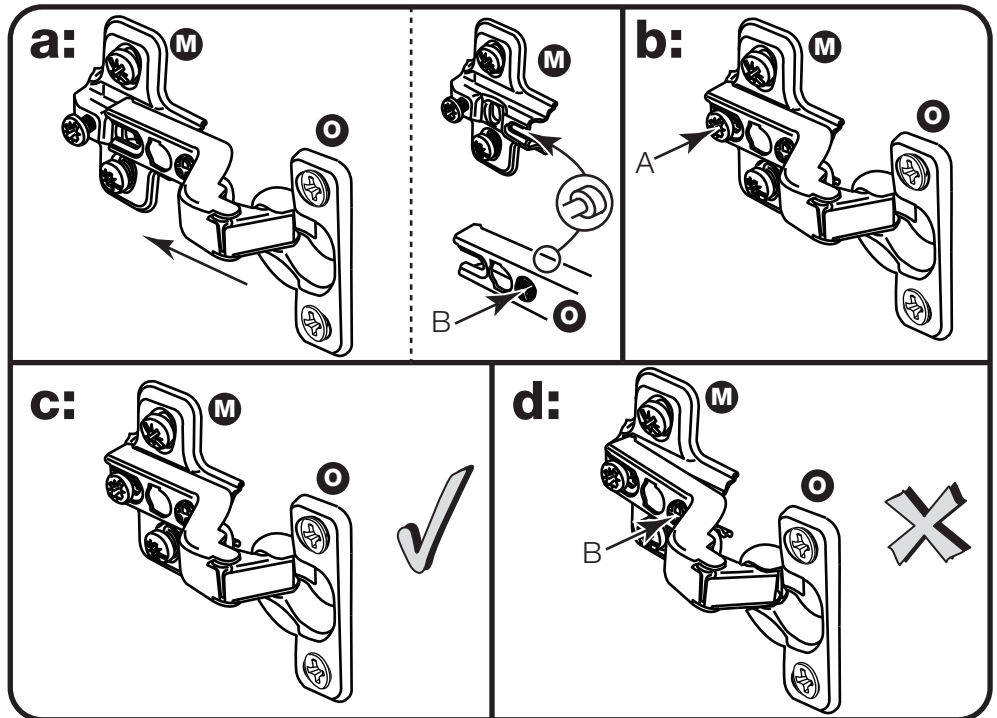
a: Push the hinge [O] onto the front part of the hinge plate [M]. The recess at the bottom of screw B goes into the slot in the hinge plate.

b: Keep the hinge [O] FLAT against the hinge plate [M] as you slide it across as far as it will go. Tighten screw A.

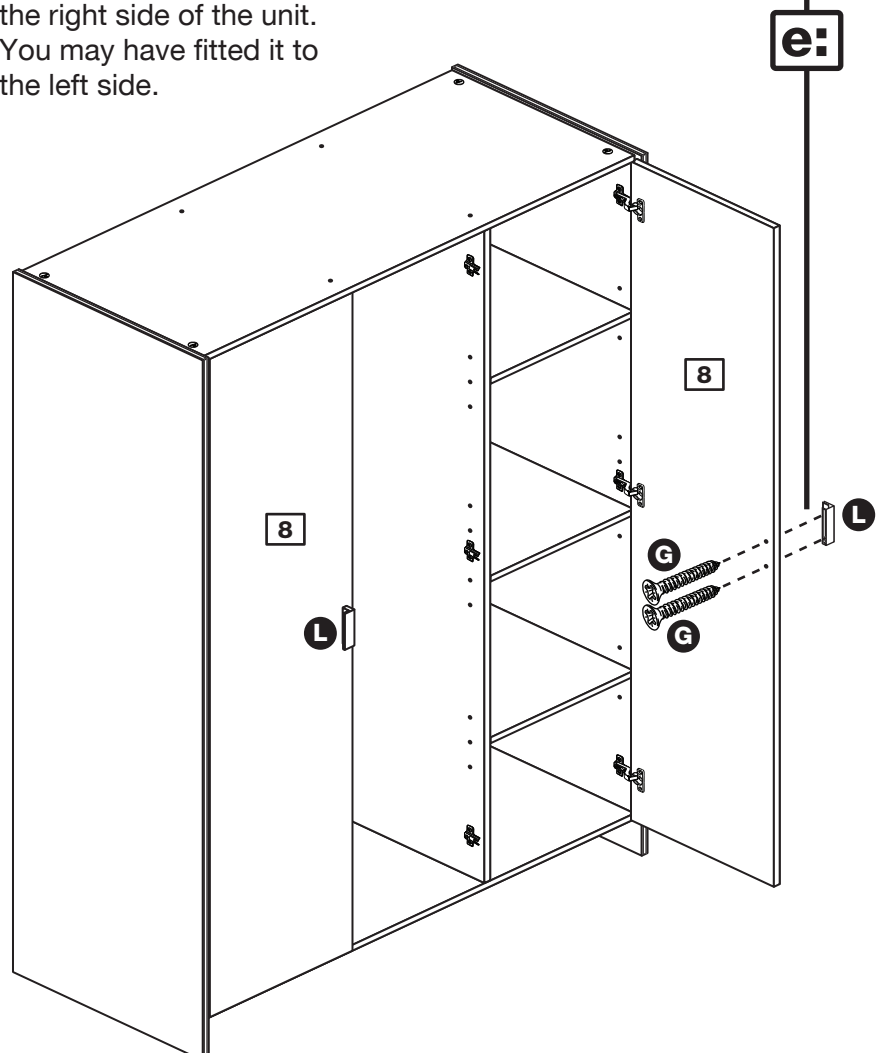
c: The hinge [O] must be flat against the hinge plate [M] prior to any adjustment.

d: The hinge [O] must NOT be AT AN ANGLE to the hinge plate [M] when assembled. This would indicate that the recess at the bottom of screw B had not located in the slot in the hinge plate and the hinge would not be secure. Remove the hinge from the hinge plate and then re-assemble being careful to follow instructions a-c.

e: Attach a handle [L] to each standard door [8] using 2 screws [G].



Note: This diagram shows the long divider on the right side of the unit. You may have fitted it to the left side.



Assembly Instructions

Step 19

Fit the mirror door and handle

Note: The easiest way to attach the mirror door **9** is to fit the top hinge first, then align and fit the other hinges.

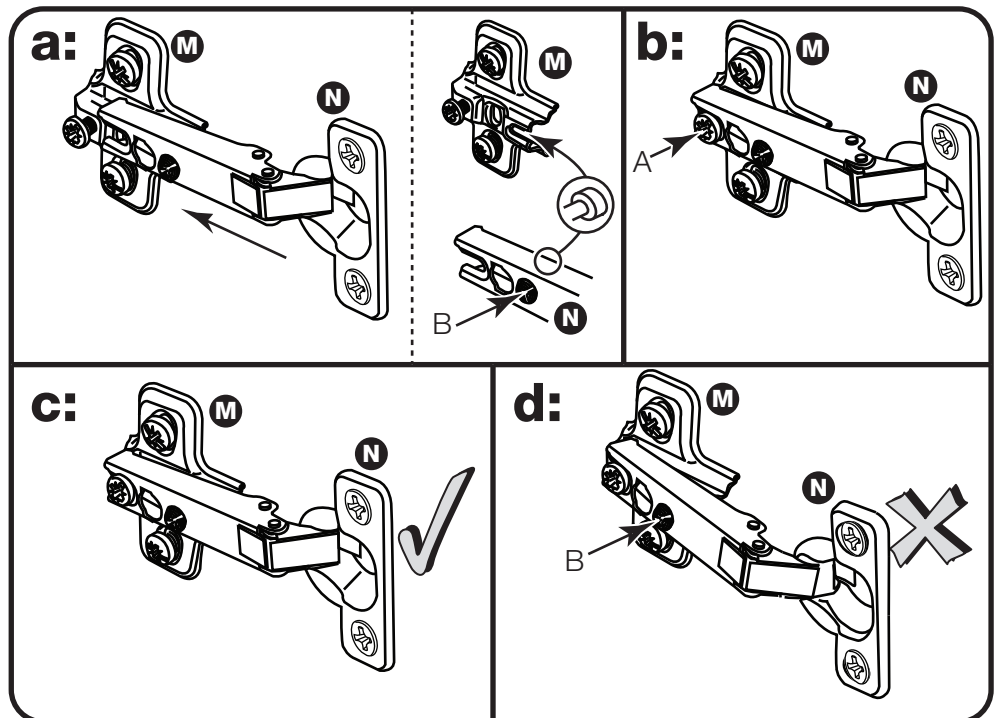
a: Push the hinge **N** onto the front part of the hinge plate **M**. The recess at the bottom of screw **B** goes into the slot in the hinge plate.

b: Keep the hinge **N** FLAT against the hinge plate **M** as you slide it across as far as it will go. Tighten screw **A**.

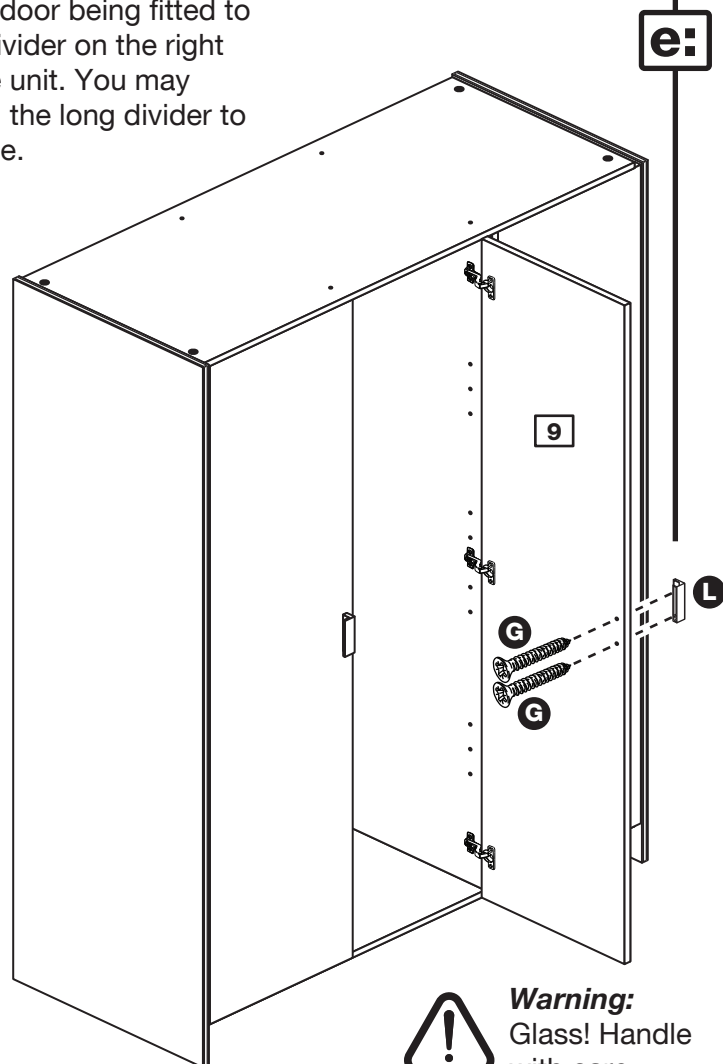
c: The hinge **N** must be flat against the hinge plate **M** prior to any adjustment.

d: The hinge **N** must NOT be AT AN ANGLE to the hinge plate **M** when assembled. This would indicate that the recess at the bottom of screw **B** had not located in the slot in the hinge plate and the hinge would not be secure. Remove the hinge from the hinge plate and then re-assemble being careful to follow instructions a-c.

e: Attach a handle **L** to the mirror door **9** using 2 screws **G**.



Note: This diagram shows the mirror door being fitted to the long divider on the right side of the unit. You may have fitted the long divider to the left side.



Warning:
Glass! Handle with care

Assembly Instructions

Step 20

Adjust the doors if needed

a: Before adjusting the doors, use a spirit level to check the base (or top) of the unit is level, front-to-back and side-to-side in the 3 positions shown. Use suitable packing pieces (not supplied) to make the unit level BEFORE making any adjustment to the hinges, as shown.

b: Height adjustment.

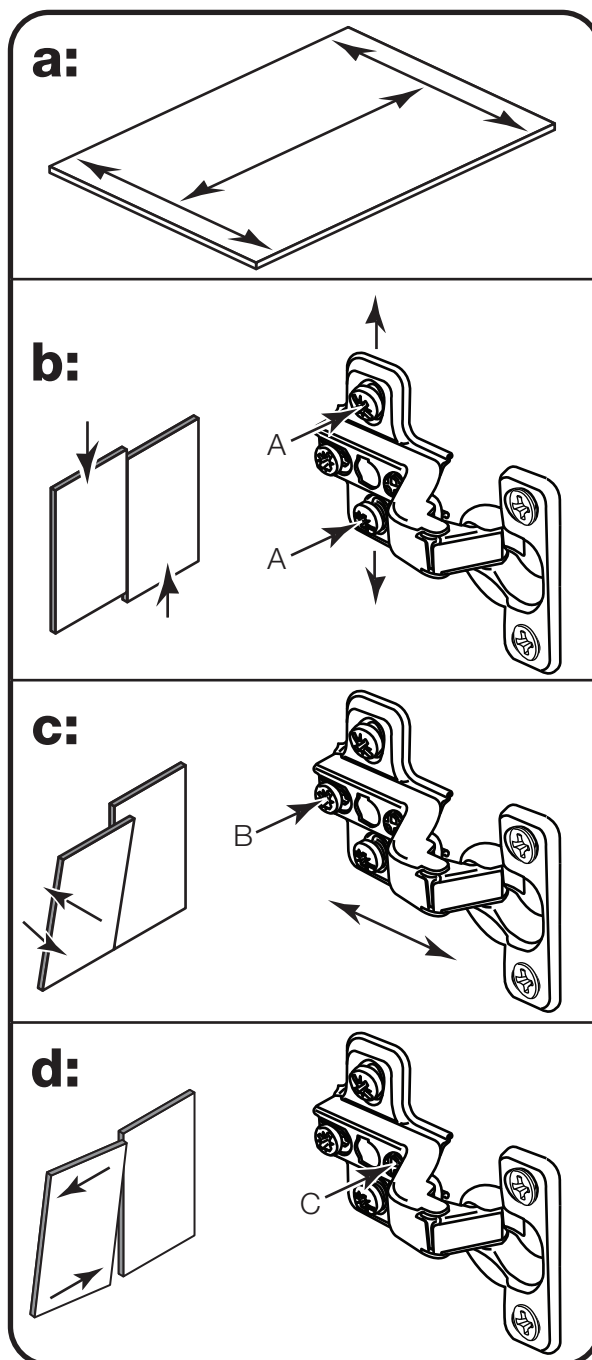
Loosen screws A on hinge plates and move door up or down as required. Retighten screw A.

c: Forward and Back adjustment.

Loosen screw B on hinge plate and move door in or out as required. Retighten screw B.

d: Sideways adjustment.

To move door 'out' loosen screw C. To move door 'in' tighten screw C.



This shows the hinge and plate that is fitted to the standard doors. The ones fitted to the mirror door are adjusted in the same way.

Assembly Instructions

Step 21

Fit the bracket

To prevent possible overbalancing, we recommend that this unit is secured to a suitable wall by use of the bracket **K** fitted to the top of the unit.

Fixings are not supplied, as they will need to suit the wall type and the length of screw will depend on the distance from the back of the unit to the wall.

Fix the bracket **K** loosely onto the top of the unit using screw **H** and mark the wall for the wall fixing.

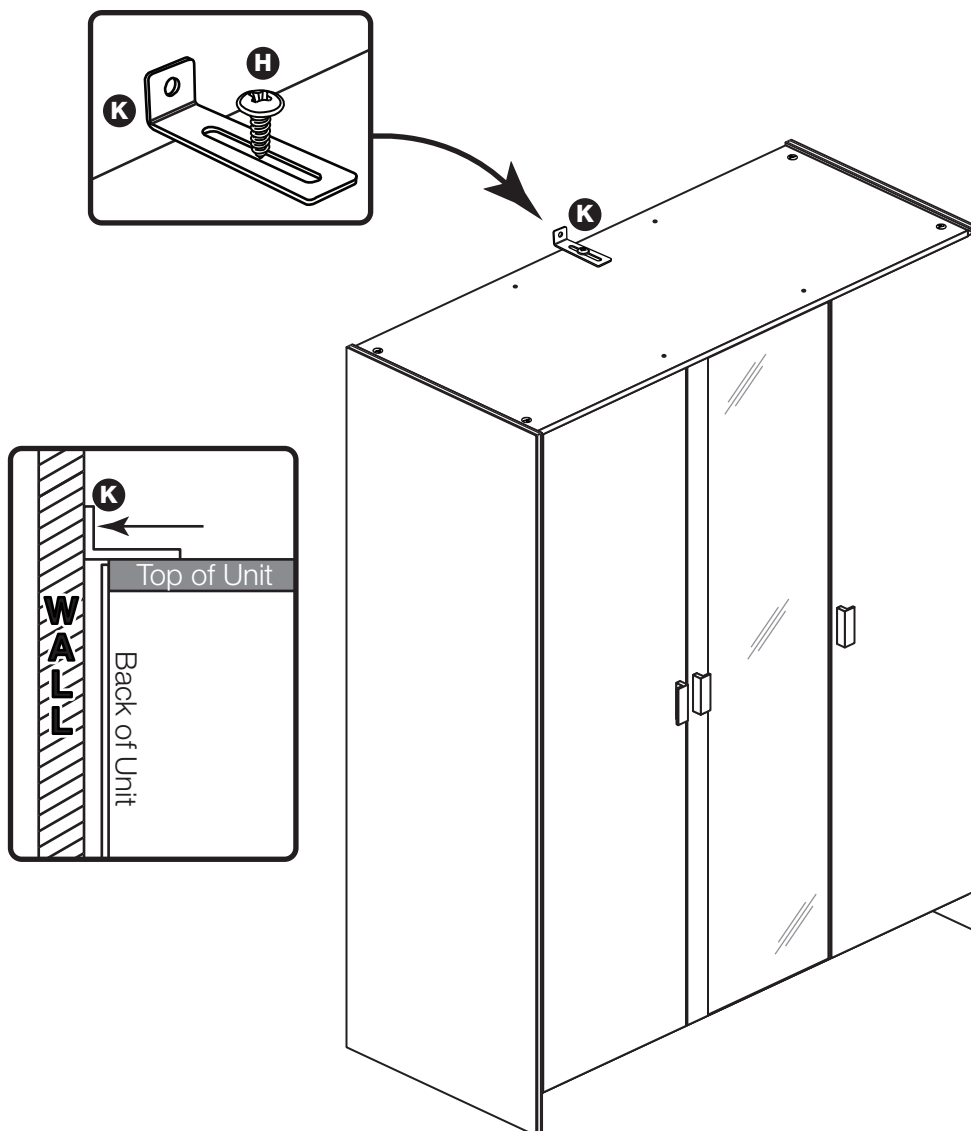
Swivel the bracket **K** away from the wall and drill a hole in the wall using a suitable drill bit and fit your wall fixing.

Swivel the bracket **K** back and fix the bracket to the wall, then tighten Screw **H**.

Note: Take care when drilling the wall that you do not drill into any pipes, wires etc. If in doubt, consult an expert.



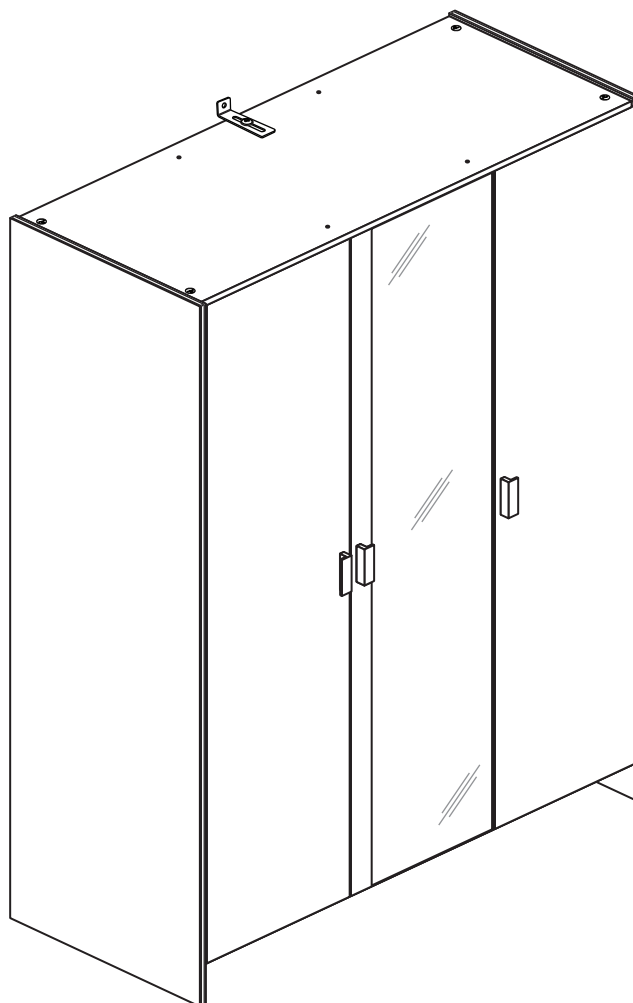
Warning: The unit is heavy. Lift with care.



Assembly Instructions

Step 22

Assembly is complete



IMPORTANT INFORMATION ABOUT THIS PRODUCT

This product complies with the requirements of BS 7449:1991 and has been manufactured by DECORATIVE PANELS FURNITURE LTD, TEESSIDE INDUSTRIAL ESTATE, THORNABY-ON-TEES, CLEVELAND, TS17 9LT.

The product code for this unit and the item code(s) for the glass components are listed in the Assembly Instructions along with a description of the type of glass used. All clear/tinted glass complies with the requirements of BS 6206 Class A. All mirrors comply with the requirements of BS 6206 Class C. If the glass component contained in this unit is chipped or broken consult the furniture manufacturer, retailer, or agent with regard to obtaining a manufacturing specification and shape for replacement glass quoting the unit description and batch number or date of manufacture.

Do not place very hot or very cold items against or in close proximity to glass surface(s) unless adequately thick insulating material is used to prevent such items coming in contact with the glass.

Do not strike the glass with hard or pointed items.

Do not sit or stand upon horizontal glass surfaces.

When cleaning glass panels use a damp cloth or leather with washing liquid or soft soap if necessary - do not use washing powders or any other substance containing abrasives since these substances scratch glass.

If stated in the instruction leaflet, it is essential that this unit is fixed to a wall.

KEEP THESE INSTRUCTIONS FOR FUTURE USE

If you need help or have damaged or missing parts, call the **Customer Helpline: 08456 400800** and quote the reference numbers on the component pages.

Argos Ltd, 489-499 Avebury Boulevard, Central Milton Keynes, MK9 2NW

Capella - 3 Door Mirror Robe

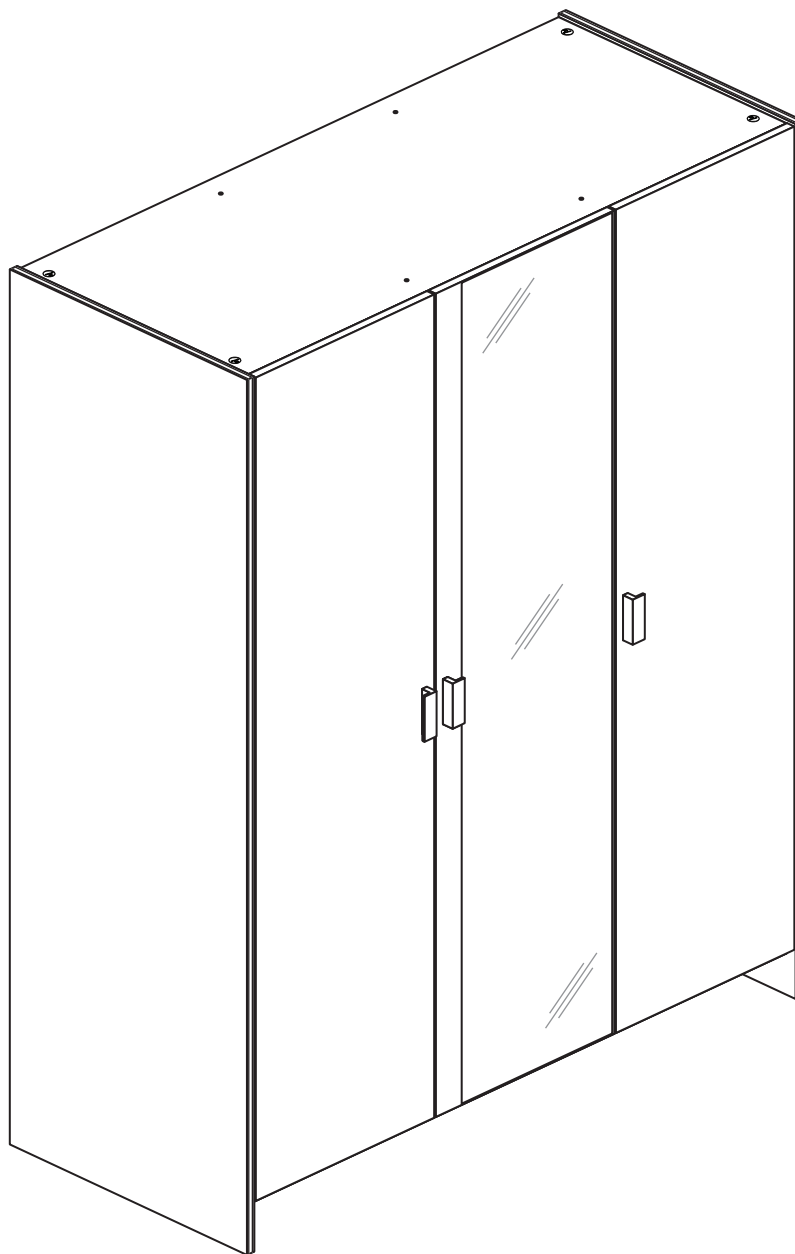
Assembly Instructions - Please keep for future reference

227/5390

246/3188

238/8005

257/8334



Dimensions

Width - 115cm

Depth - 49cm

Height - 181cm



**MADE IN
BRITAIN**

Important - Please read these instructions fully before starting assembly

If you need help or have damaged or missing parts, call the **Customer Helpline: 08456 400800**



Safety and Care Advice

Important - Please read these instructions fully before starting assembly

- **Warning:** This unit weighs approximately 75kgs. Please lift with care.
- Check you have all the components and tools listed on pages 1, 2 and 3.
- Remove all fittings from the plastic bags and separate them into their groups.
- Keep children and animals away from the work area, small parts could choke if swallowed.
- Parts of the assembly will be easier with 2 people.

- Make sure you have enough space to layout the parts before starting.
- Do not stand or put weight on the product, this could cause damage.
- Assemble the item as close to its final position (in the same room) as possible.
- Assemble on a soft level surface to avoid damaging the unit or your floor (use opened out unit carton).



• We do not recommend the use of power drill/drivers **for inserting screws**, as this could damage the unit. Only use hand screwdrivers.

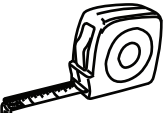





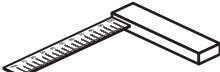


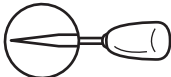
• **Safety note:** It is recommended that this unit is secured to a wall using the bracket supplied.

• Dispose of all packaging carefully and responsibly.

Care and maintenance

- Only clean using a damp cloth and mild detergent, do not use bleach or abrasive cleaners.
- From time to time check that there are no loose screws on this unit.
- This product should not be discarded with household waste. Take to your local authority waste disposal centre.

Tools required

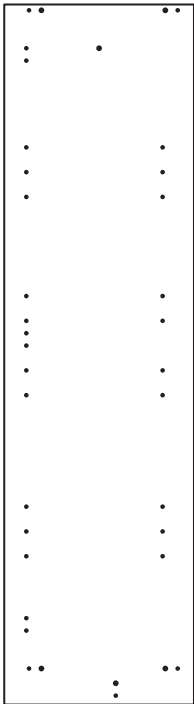
 Rule	 Spirit level	 Eye protection (when using a hammer or drill)	 Cross-head screwdriver	 Electric drill (only use when drilling into walls)	 Step ladder
 Square	 Scissors	 Hammer	 Bradawl		

Note: If required the next page can be cut out and used as reference throughout the assembly. Keep this page with these instructions for future reference.

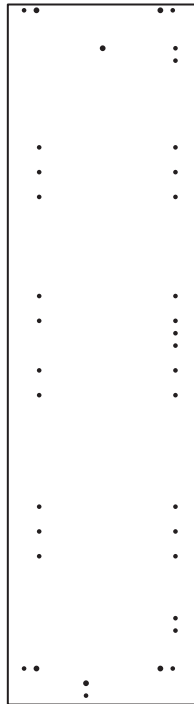
Components - Panels

If you have damaged or missing components, call the **Customer Helpline: 08456 400800** quoting the reference numbers below

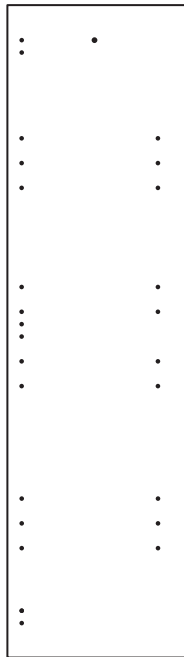
Please check you have all the panels listed below



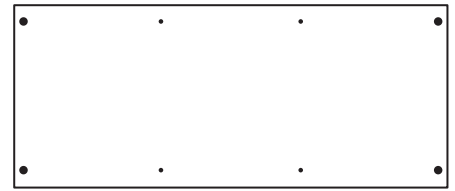
1 Left Side (D1013A)
(1808 x 490mm)



2 Right Side (D1014A)
(1808 x 490mm)



3 Long Divider (D1021A)
(1685 x 470mm)



4 Top/Base (D1018A)
(1119 x 471mm) x 2



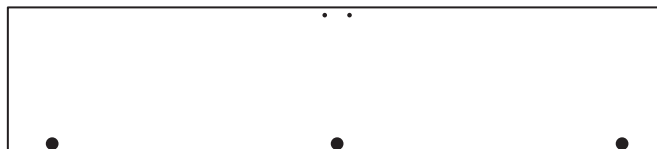
5 Plinth (D1024A)
(1119 x 85mm)



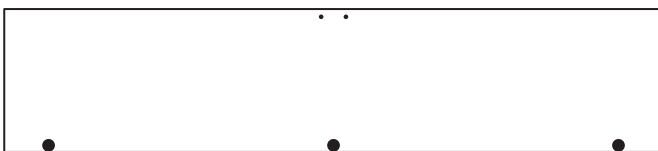
6 Hanging Rail (FHR722)
(722mm long)



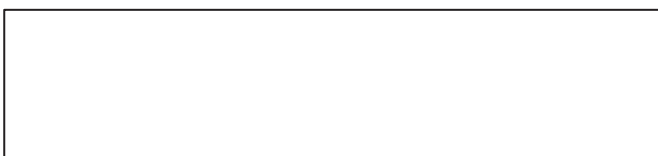
7 Loose Shelf (D1023A)
(369.5 x 469mm) x 3



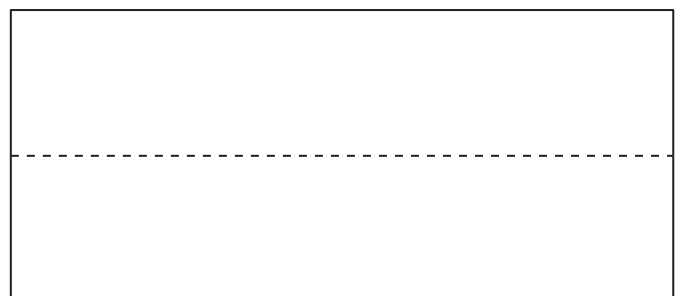
8 Standard Door (D1017A)
(1701 x 369mm) x 2



9 Mirror Door (D1017MA)
(1701 x 369mm) x 1
(Mirror - SG13 - 1696 x 311mm
4mm Safety Back SAR)



10 Small Back (X831A)
(1711 x 392mm)



11 Large Back (X830A)
(1711 x 753mm)


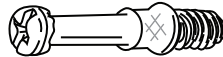
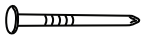






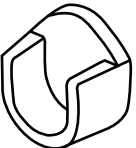
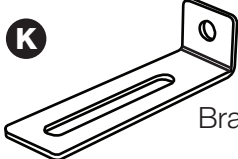
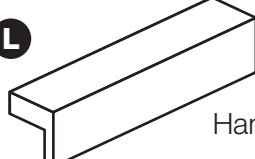
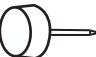

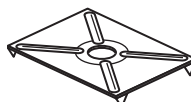
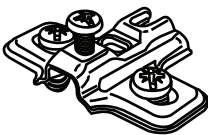
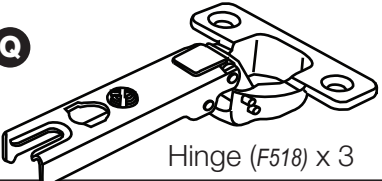




Components - Fittings

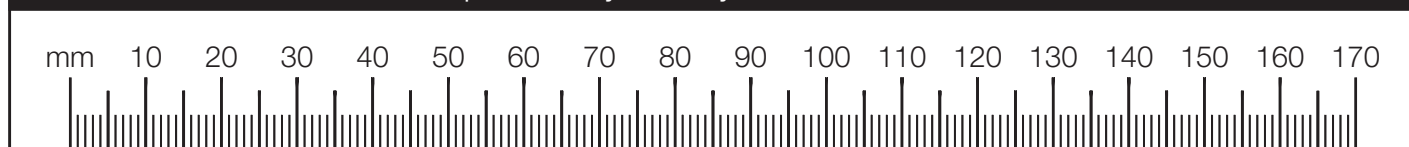
If you have damaged or missing components, call the **Customer Helpline: 08456 400800** quoting the reference numbers below

Please check you have all the fittings listed below

Note: The quantities below are the correct amount to complete the assembly. In some cases more fittings may be supplied than are required.

<p>A </p> <p>Wooden dowel (F22) x 10</p>	<p>B </p> <p>Metal dowel (F901) x 10</p>	<p>C </p> <p>Nail (F51) x 40</p>
<p>D </p> <p>Large locking nut (F900) x 10</p>	<p>E </p> <p>40mm Screw (F910) x 4</p>	<p>F </p> <p>Shelf stud (F110) x 12</p>
<p>G </p> <p>25mm Screw (F50) x 6</p>	<p>H </p> <p>13mm Screw (F79) x 1</p>	<p>I </p> <p>13mm Screw (F63) x 18</p>
<p>J </p> <p>Rail holder (F1014) x 2</p>	<p>K </p> <p>Bracket (F327) x 1</p>	<p>L </p> <p>Handle (F930) x 3</p>
<p>M </p> <p>Plastic Nail (F91) x 5</p>	<p>N </p> <p>Nail screw (F277) x 6</p>	<p>O  *These can also be round</p> <p>Back holder (F276) x 6</p>
<p>P </p> <p>Hinge plate (F523) x 3</p>	<p>Q </p> <p>Hinge (F518) x 3</p>	<p>← These 3 hinges and plates are in the bag labelled as AHP1043</p>
<p>R </p> <p>Hinge plate (F523) x 6</p>	<p>S </p> <p>Hinge (F522) x 6</p>	<p>← These 6 hinges and plates are in the bag labelled as AHP1546</p>

Ruler - Use this ruler to help correctly identify the screws



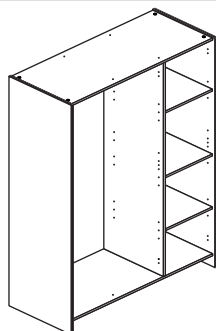
Assembly Instructions

If you have damaged or missing components, call the
Customer Helpline: 08456 400800 quoting the reference
numbers below

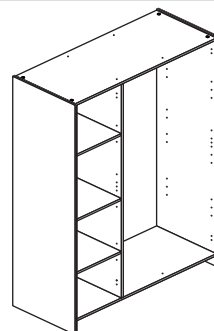
Step 1

**Choose which side
you would like the
shelves**

Shelves on
the right side



Shelves on
the left side



Step 2

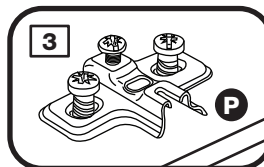
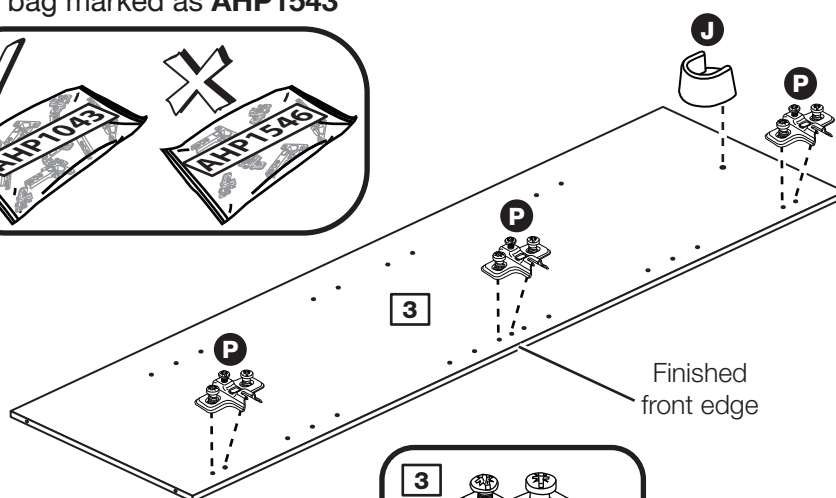
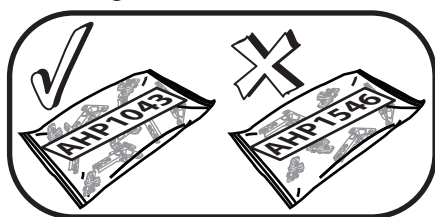
**Prepare the long
divider**

**Only carry out this step
if you have chosen to
fit the shelves on the
right side.**

Fit 3 hinge plates **P** onto
the long divider **3**,
making sure that the slot
is facing towards the
finished front edge.

Push a rail holder **P** into
the long divider **3**.
Make sure that it is fitted
straight, in line with the
panel edges.

Important: The 3 hinge
plates used in this step are in
the bag marked as **AHP1543**



Step 3

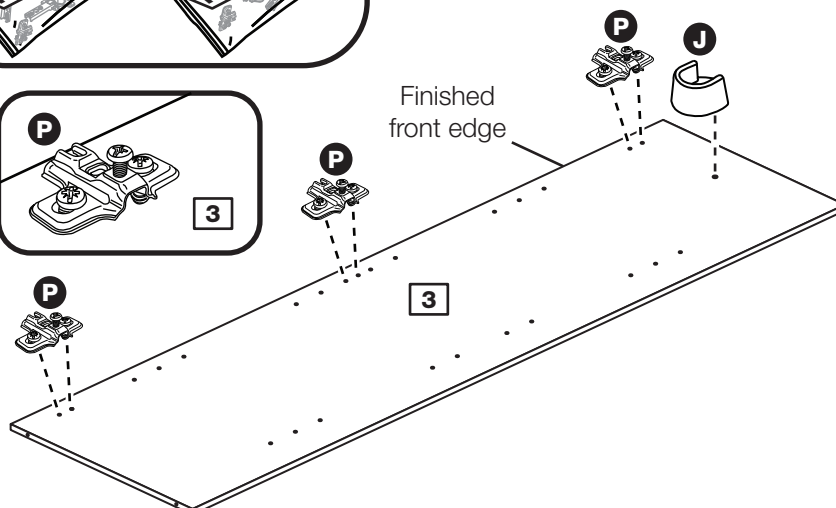
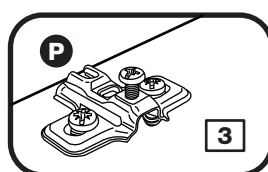
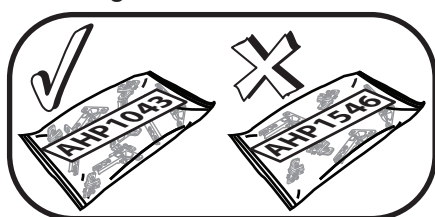
**Prepare the long
divider**

**Only carry out this step
if you have chosen to
fit the shelves on the
left side.**

Fit 3 hinge plates **P** onto
the long divider **3**,
making sure that the slot
is facing towards the
finished front edge.

Push a rail holder **J** into
the long divider **3**.
Make sure that it is fitted
straight, in line with the
panel edges.

Important: The 3 hinge
plates used in this step are in
the bag marked as **AHP1543**



Assembly Instructions

Step 4

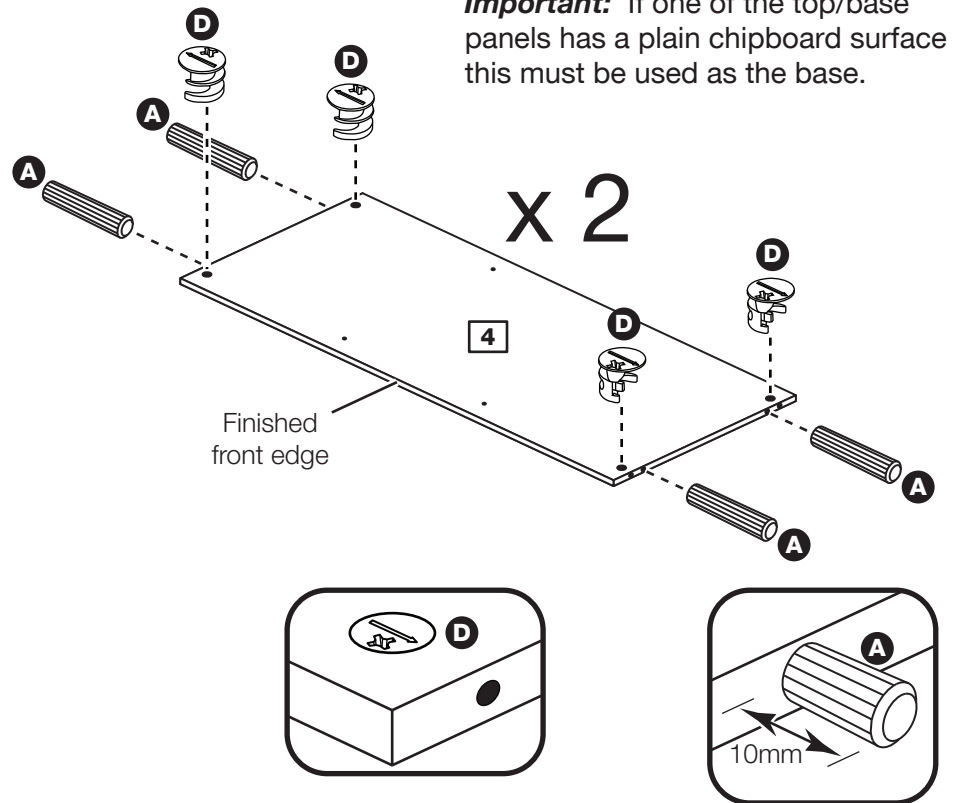
Prepare the top and base

Tap 4 wooden dowels **A** into the top **4** and base **4** as shown.

Note: Wooden dowels **must not** stick out from the edge by more than 10mm or they may damage other panels.

Insert 4 large locking nuts **D** into the top **4** and base **4** as shown.

Note: The arrow on the locking nut **must** point towards the hole in the edge of the panel.



Important: If one of the top/base panels has a plain chipboard surface this must be used as the base.

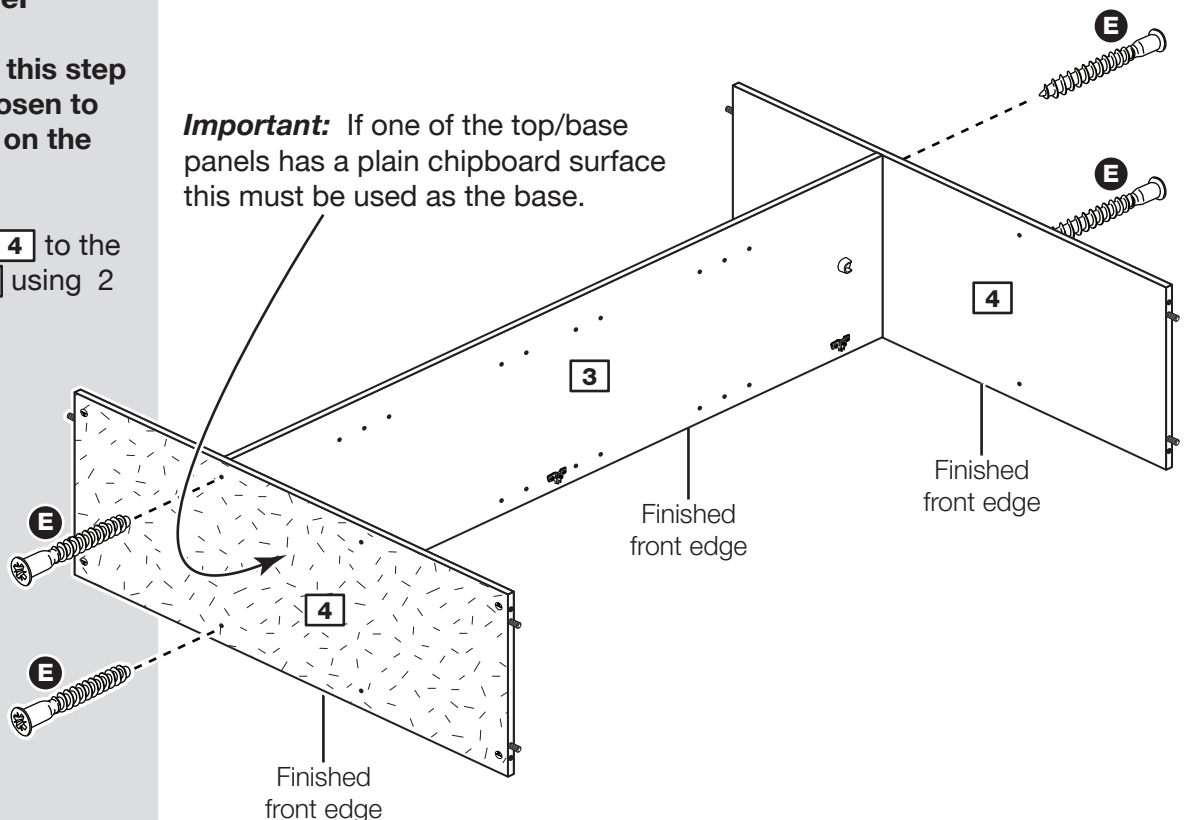
Step 5

Fit top and base to the long divider

Only carry out this step if you have chosen to fit the shelves on the right side.

Attach the top **4** to the long divider **3** using 2 screws **E**.

Attach the base **4** to the long divider **3** using 2 screws **E**.



Important: If one of the top/base panels has a plain chipboard surface this must be used as the base.

Assembly Instructions

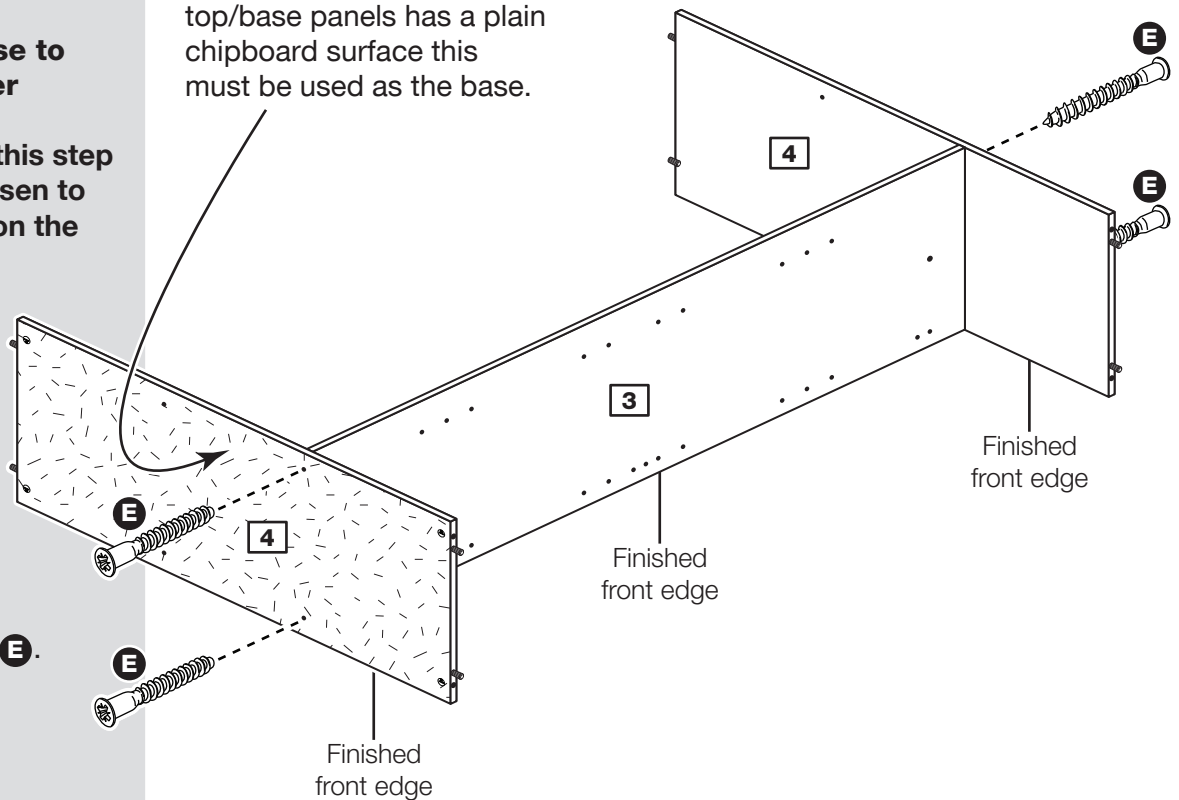
Step 6

Fit top and base to the long divider

Only carry out this step if you have chosen to fit the shelves on the left side.

Attach the top **4** to the long divider **3** using 2 screws **E**.

Attach the base **4** to the long divider **3** using 2 screws **E**.



Step 7

Prepare the right side

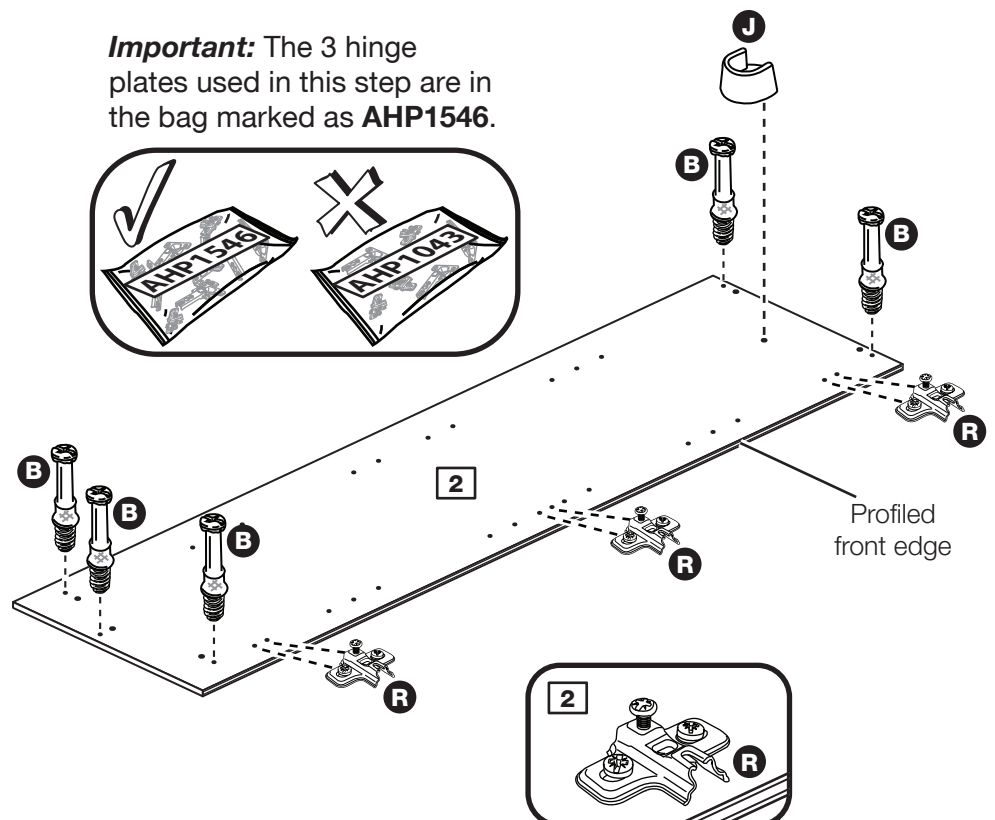
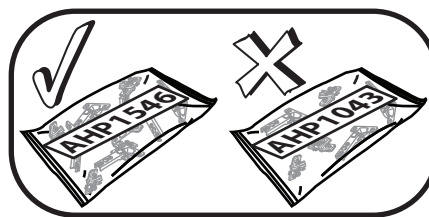
Fit 3 hinge plates **R** onto the right side **2**, making sure that the slot is facing towards the finished front edge.

Screw 5 metal dowels **B** into the right side **2**.

Note: Tighten the metal dowels up fully against the panels.

Refer to step 1 and, **only if you have chosen to put the shelves on the left side**, push a rail holder **J** into the right side **2**. Make sure that it is fitted straight, in line with the panel edges.

Important: The 3 hinge plates used in this step are in the bag marked as **AHP1546**.



Assembly Instructions

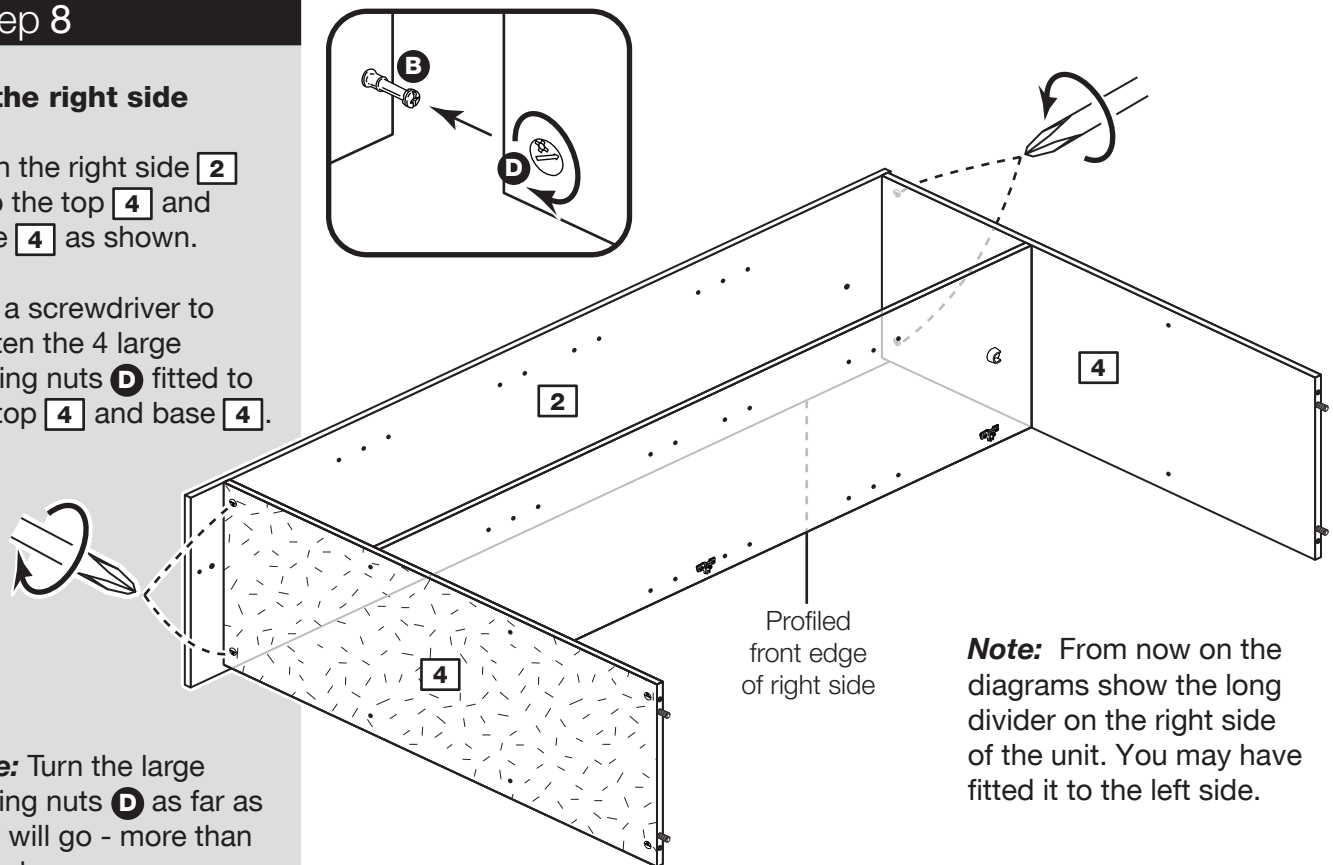
Step 8

Fit the right side

Push the right side **2** onto the top **4** and base **4** as shown.

Use a screwdriver to tighten the 4 large locking nuts **D** fitted to the top **4** and base **4**.

Note: Turn the large locking nuts **D** as far as they will go - more than 1/2 a turn.



Step 9

Prepare the left side

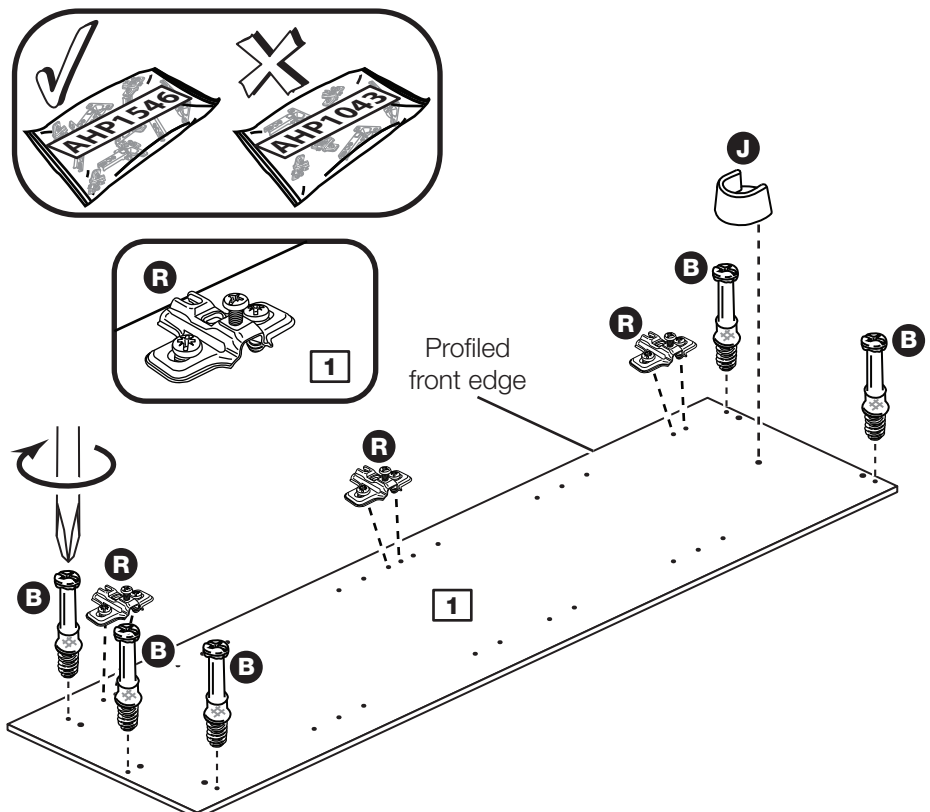
Fit 3 hinge plates **R** onto the left side **1**, making sure that the slot is facing towards the finished front edge.

Screw 5 metal dowels **B** into the left side **1**.

Note: Tighten the metal dowels up fully against the panels.

Refer to step 1 and, **only if you have chosen to put the shelves on the right side**, push a rail holder **J** into the left side **1**. Make sure that it is fitted straight, in line with the panel edges.

Important: The 3 hinge plates used in this step are in the bag marked as **AHP1546**.



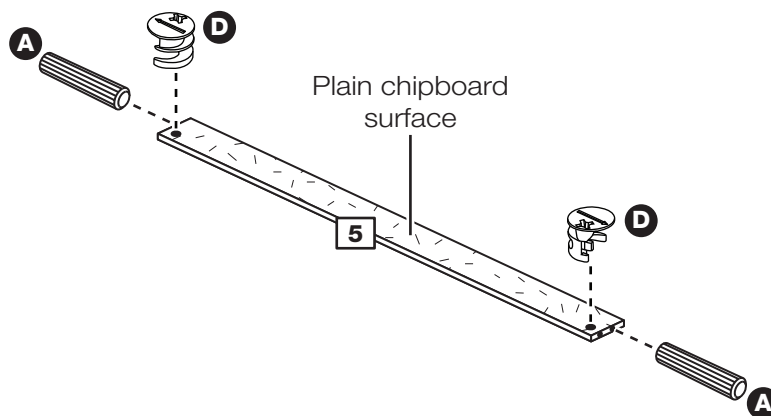
Assembly Instructions

Step 10

Prepare the plinth

Tap 2 wooden dowels **A** into the plinth **5**.

Insert 2 large locking nuts **D** into the plinth **5**.

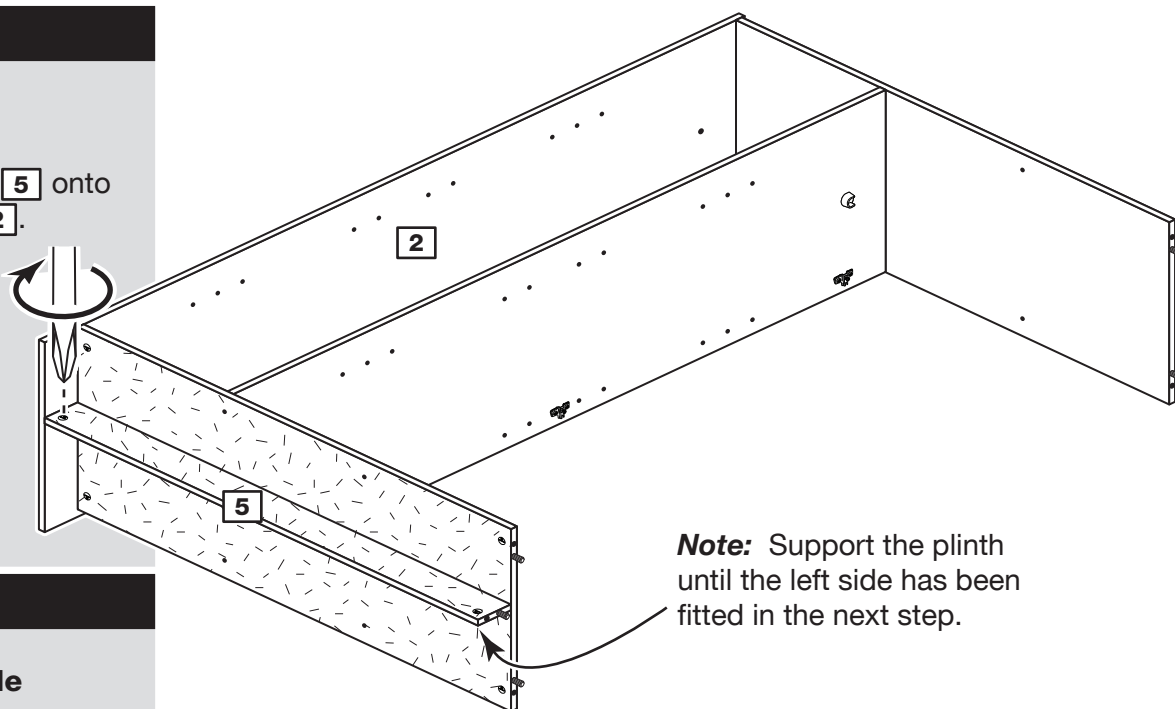


Step 11

Fit the plinth

Push the plinth **5** onto the right side **2**.

Use a screwdriver to tighten the large locking nut **D** fitted to the plinth **5**.

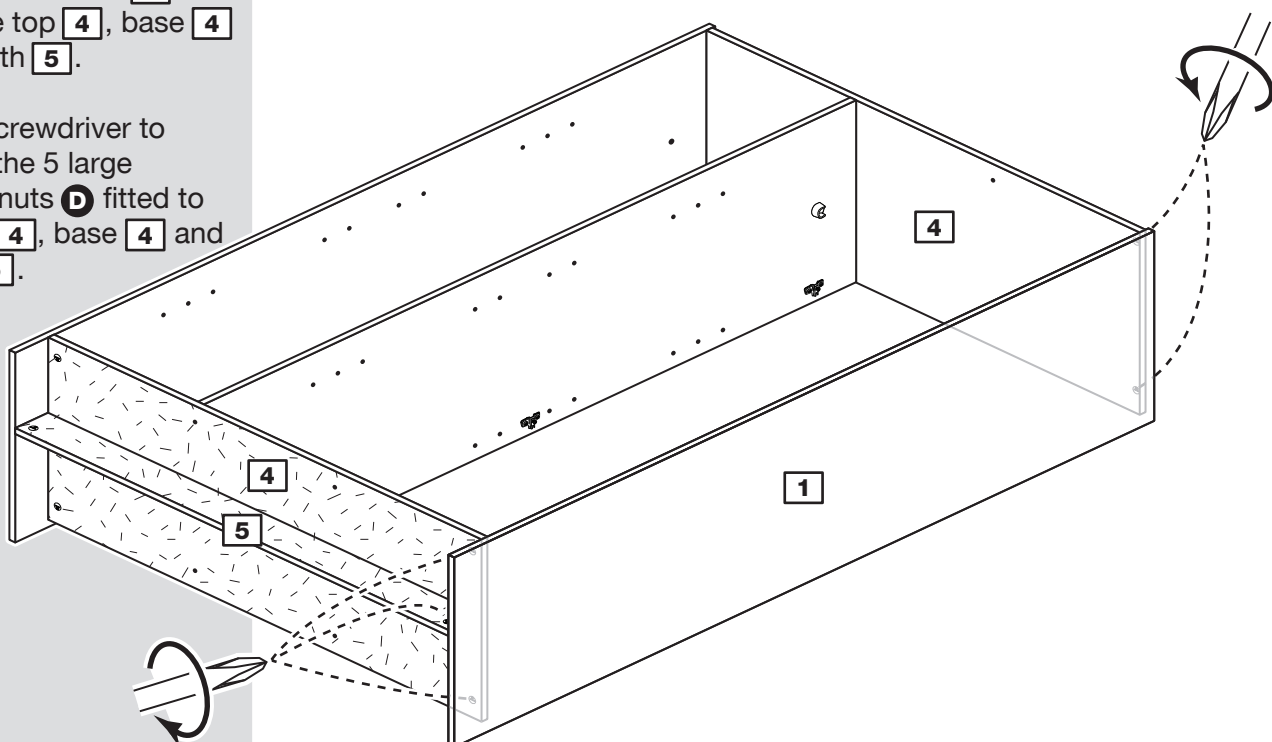


Step 12

Fit the left side

Push the left side **1** onto the top **4**, base **4** and plinth **5**.

Use a screwdriver to tighten the 5 large locking nuts **D** fitted to the top **4**, base **4** and plinth **5**.



Assembly Instructions

Step 13

Fit the back panels

a: Square up the unit by making sure that measurement **x to x** equals **y to y**.

b: Place the small back **10** and large back **11** coloured surface facing down, onto the unit as shown.

Make sure that the 2 backs **10** and **11** are pushed up tight against each other and that they meet in the centre of the long divider's **3** back edge.

Nail **C** around the outside edges of the 2 backs **10** and **11**.

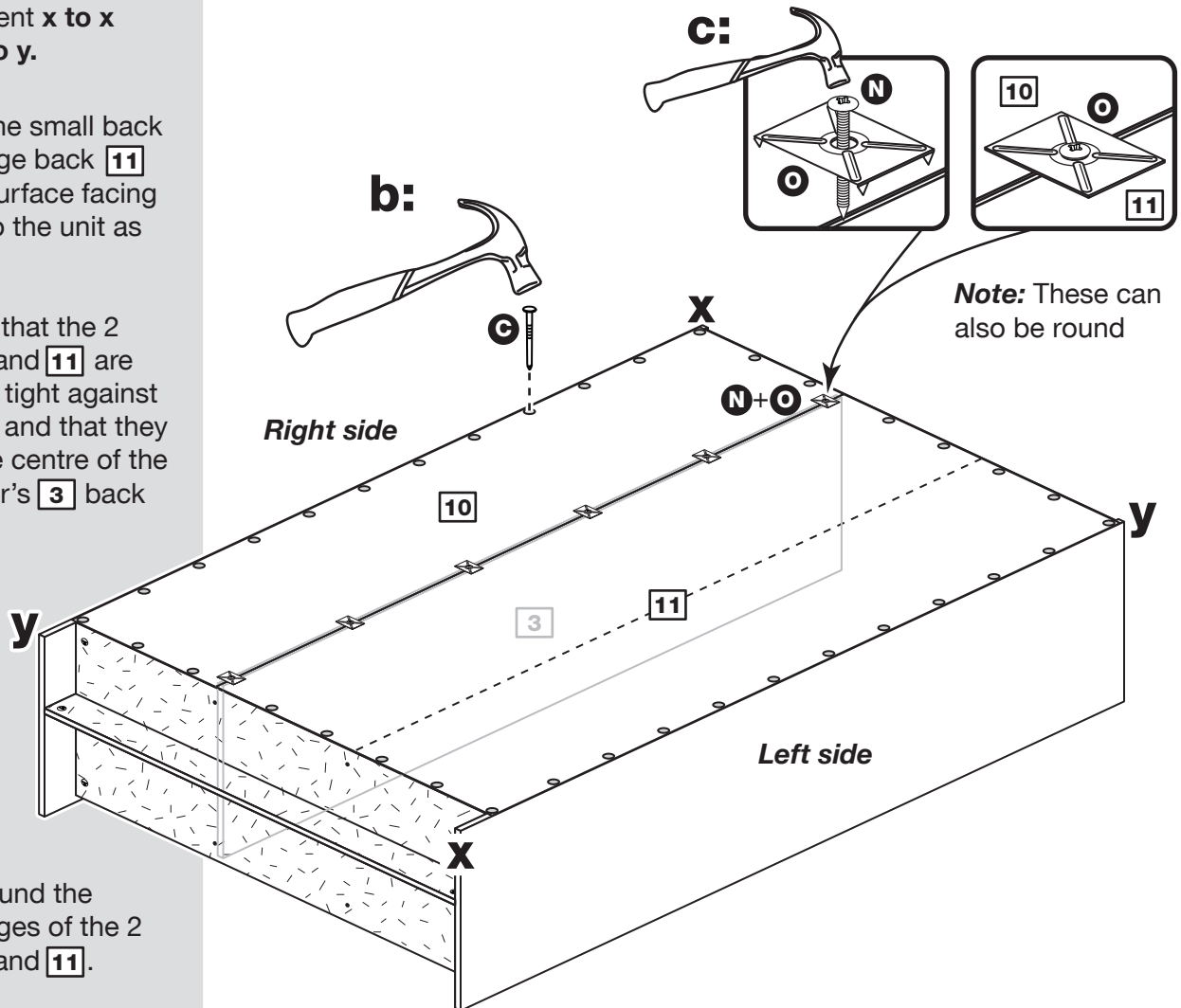
Note: Do not nail where the 2 backs meet. Nails should be spaced out evenly.

c: Push the 6 nail screws **N** through the 6 back holders **O** and tap them down between the 2 backs **10** and **11** and into the back edge of the long divider **3**.

Keep tapping the nail screws **N** in until the back holders **O** dig into the backs.

Important: If you have fitted the long divider on the left side of the unit the backs will need to go the opposite way around i.e. the small back on the left side and the large back on the right side.

a: The measurement from top corner X to bottom corner X must be equal to the measurement from top corner Y to bottom corner Y



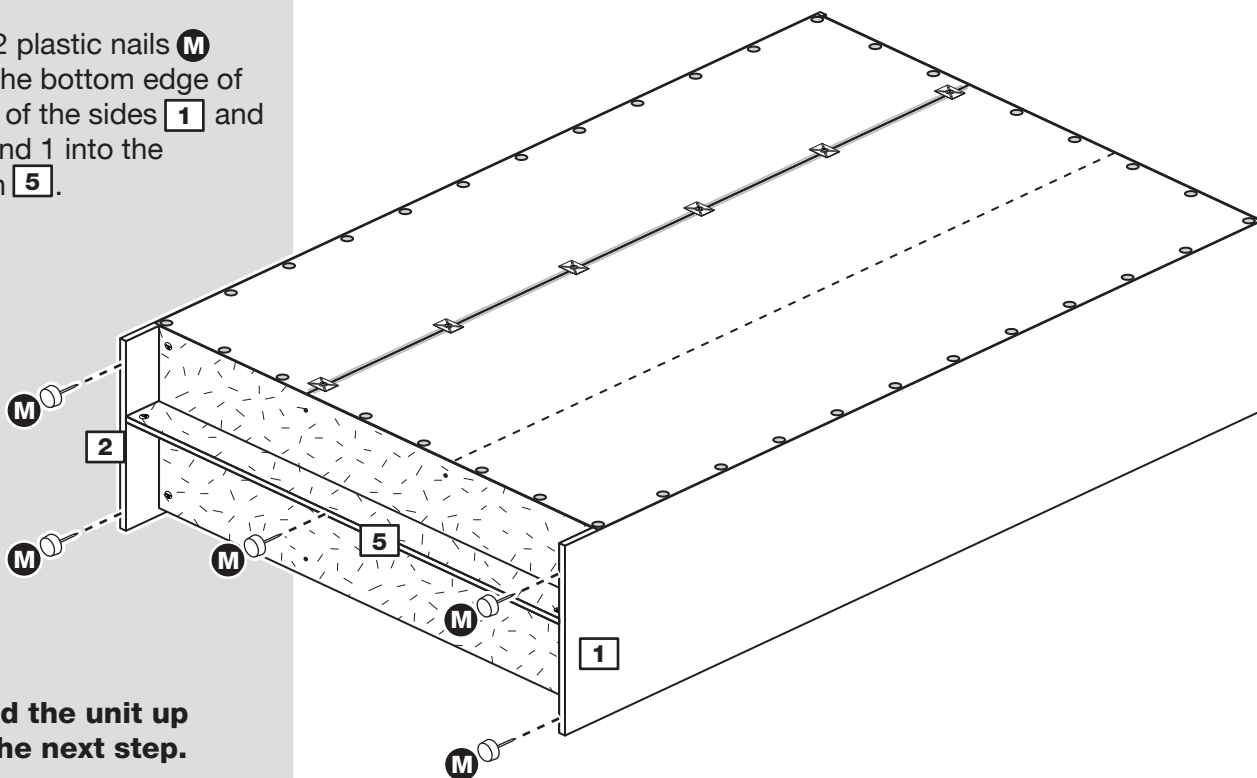
Warning: The unit is heavy. Lift with care.

Assembly Instructions

Step 14

Fit the 5 plastic nails

Tap 2 plastic nails **M** into the bottom edge of each of the sides **1** and **2** and 1 into the plinth **5**.



Stand the unit up for the next step.



Warning: The unit is heavy. Lift with care.

Assembly Instructions

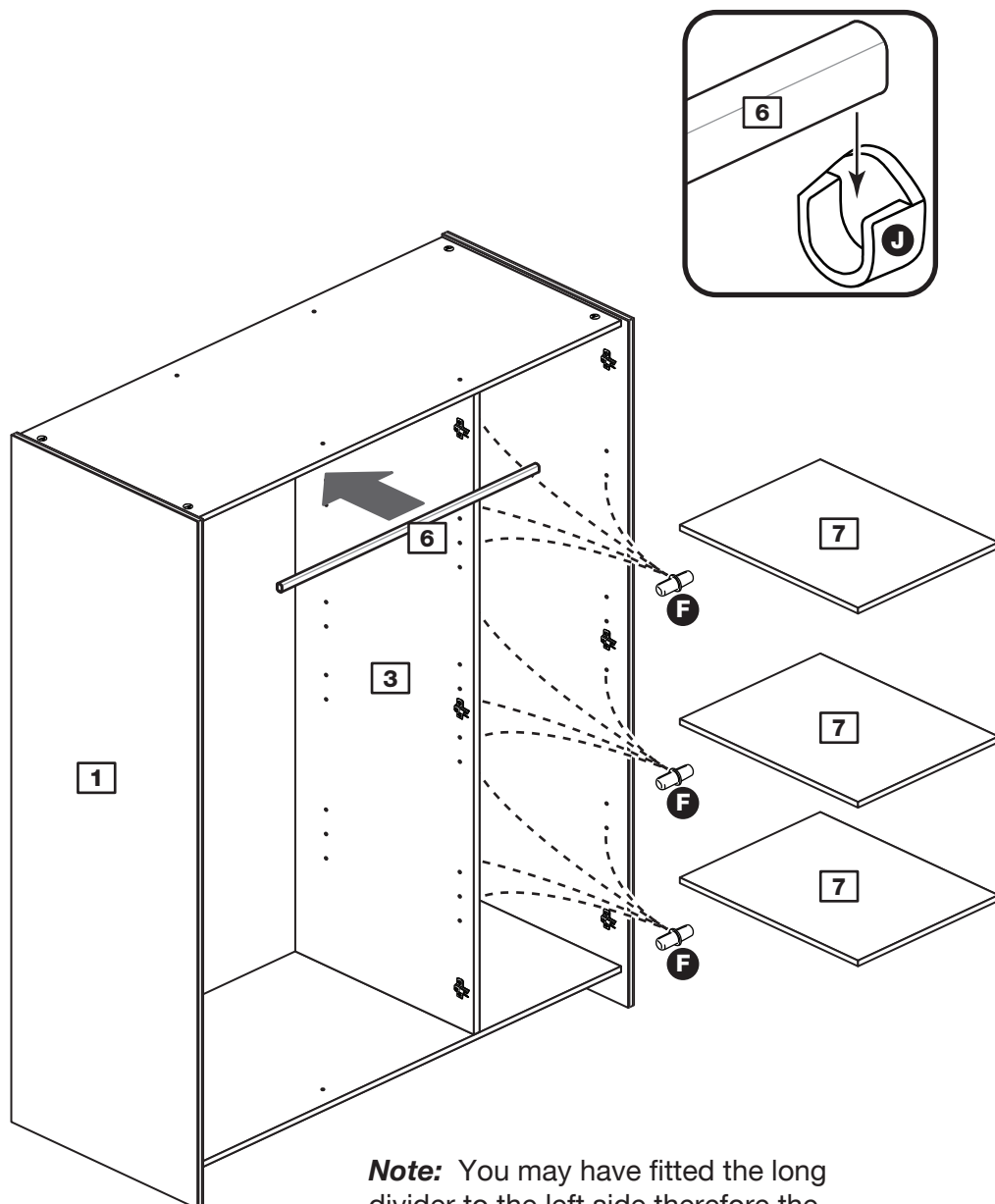
Step 15

Fit the hanging rail and shelves

Push the hanging rail **6** into the rail holders **J** fitted to the left side **1** and long divider **3**.

For each of the 3 shelves **7**, insert 4 shelf studs **F** at the required height.

Lower the 3 shelves **7** down onto the shelf studs **F**.



Note: You may have fitted the long divider to the left side therefore the shelves will go on the left and the hanging rail on the right.

Assembly Instructions

Step 16

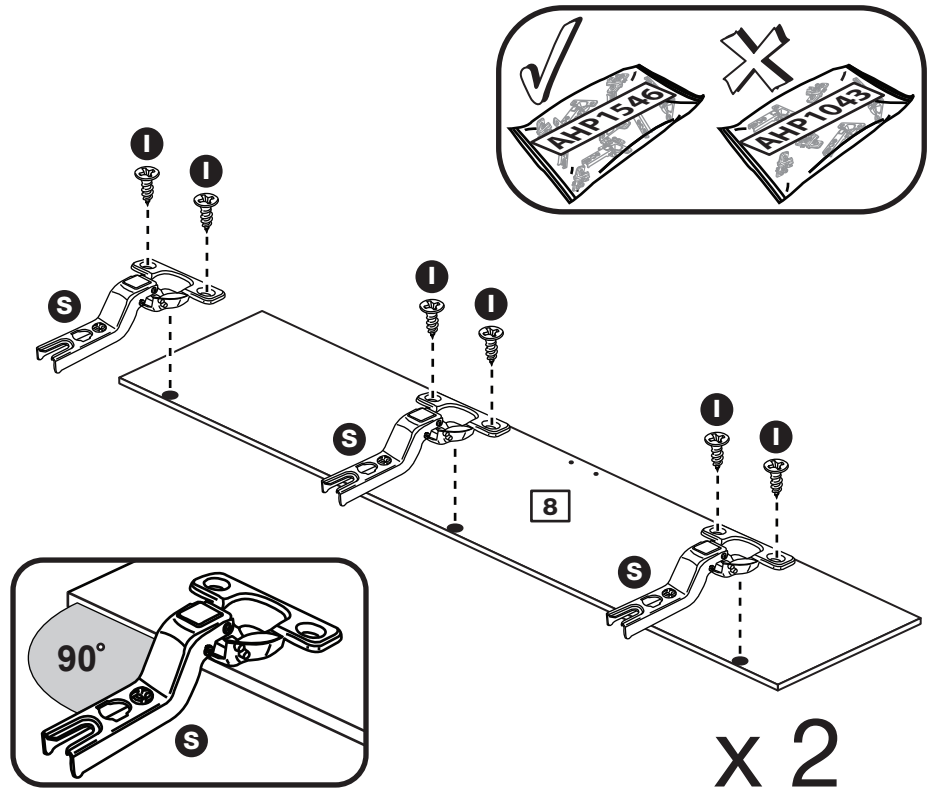
Prepare the 2 standard doors

Important: The 6 hinges used in this step are in the bag marked as **AHP1546**.

Push fit 3 hinges **S** into each standard door **8**.

Secure each hinge with 2 screws **I**.

Note: Before securing with the screws, make sure that the hinges are positioned at 90 degrees with the edge of the door.



Step 17

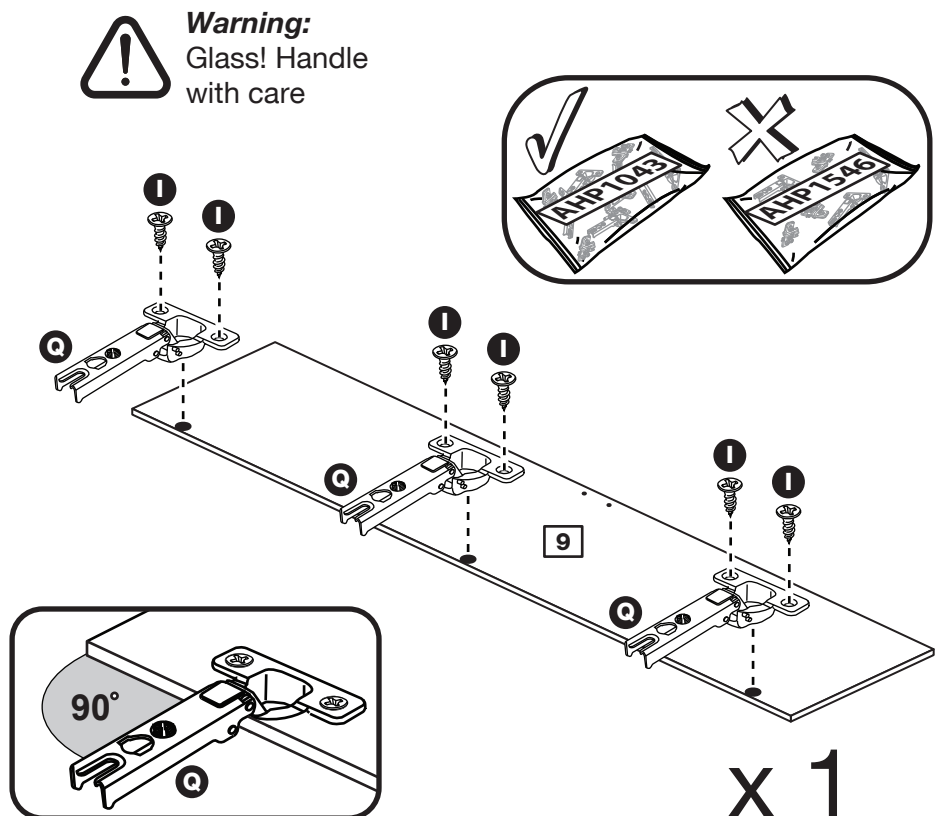
Prepare the mirror door

Important: The 3 hinges used in this step are in the bag marked as **AHP1043**.

Push fit 3 hinges **Q** into the mirror door **9**.

Secure each hinge with 2 screws **I**.

Note: Before securing with the screws, make sure that the hinges are positioned at 90 degrees with the edge of the door.



Assembly Instructions

Step 18

Fit the standard doors and handles

Note: The easiest way to attach each door [8] is to fit the top hinge first, then align and fit the other hinges.

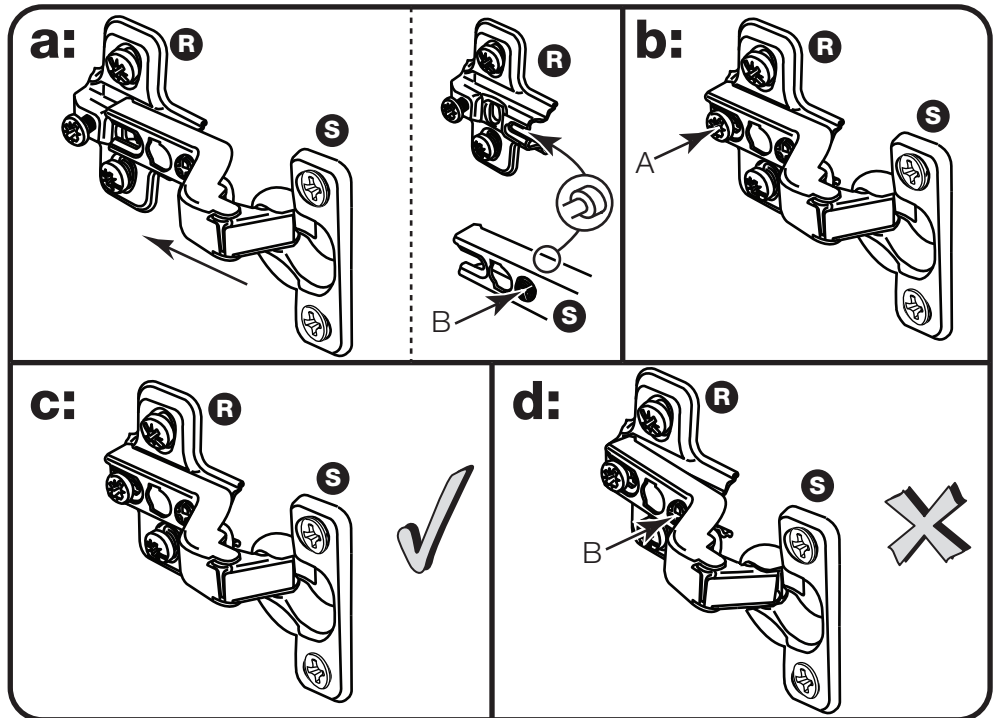
a: Push the hinge [S] onto the front part of the hinge plate [R]. The recess at the bottom of screw B goes into the slot in the hinge plate.

b: Keep the hinge [S] FLAT against the hinge plate [R] as you slide it across as far as it will go. Tighten screw A.

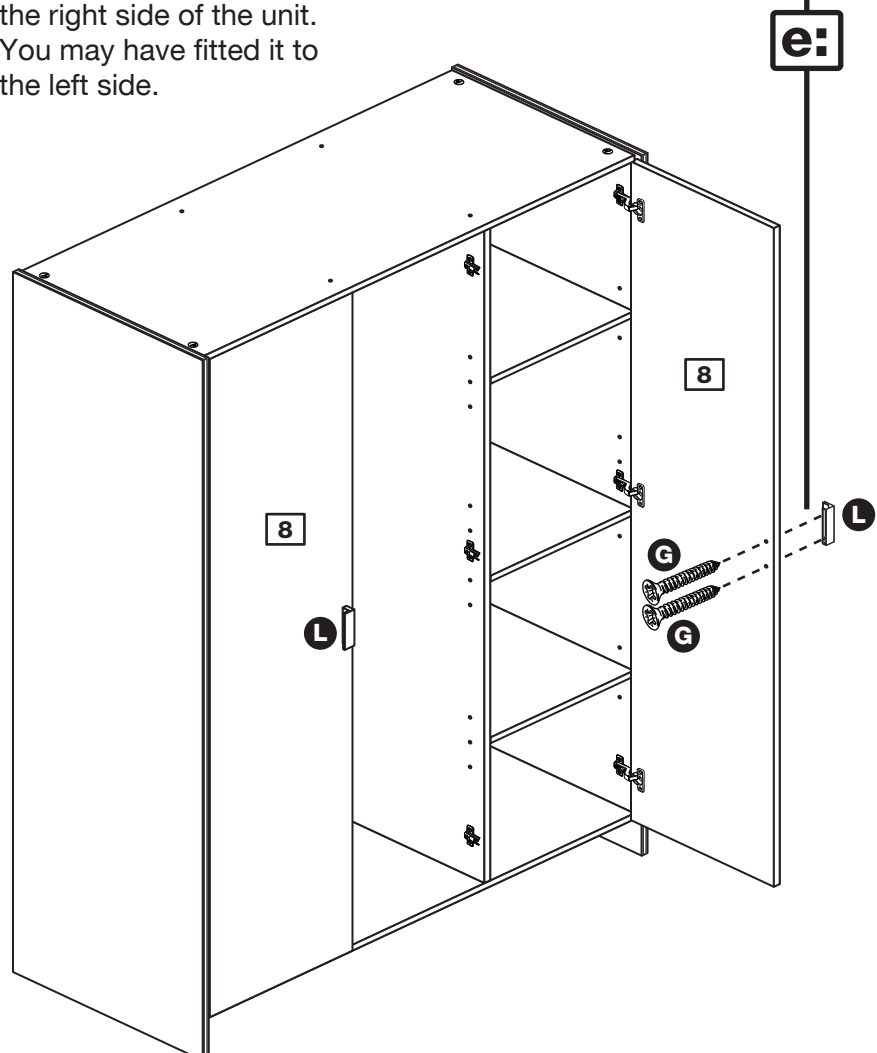
c: The hinge [S] must be flat against the hinge plate [R] prior to any adjustment.

d: The hinge [S] must NOT be AT AN ANGLE to the hinge plate [R] when assembled. This would indicate that the recess at the bottom of screw B had not located in the slot in the hinge plate and the hinge would not be secure. Remove the hinge from the hinge plate and then re-assemble being careful to follow instructions a-c.

e: Attach a handle [L] to each standard door [8] using 2 screws [G].



Note: This diagram shows the long divider on the right side of the unit. You may have fitted it to the left side.



Assembly Instructions

Step 19

Fit the mirror door and handle

Note: The easiest way to attach the mirror door **9** is to fit the top hinge first, then align and fit the other hinges.

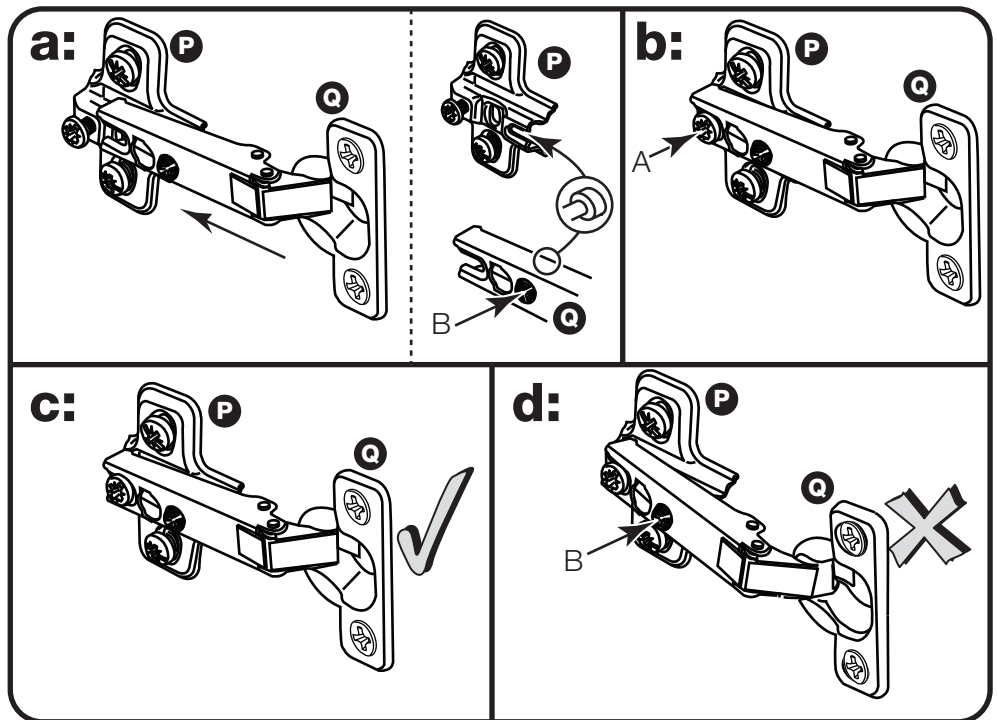
a: Push the hinge **Q** onto the front part of the hinge plate **P**. The recess at the bottom of screw **B** goes into the slot in the hinge plate.

b: Keep the hinge **Q** FLAT against the hinge plate **P** as you slide it across as far as it will go. Tighten screw **A**.

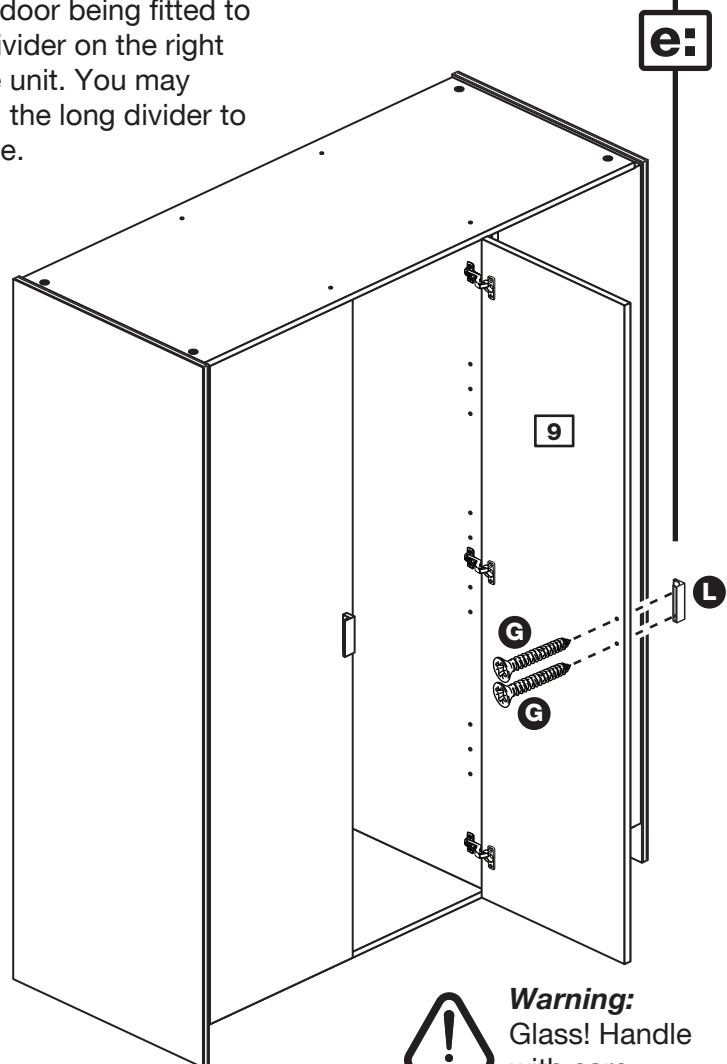
c: The hinge **Q** must be flat against the hinge plate **P** prior to any adjustment.

d: The hinge **Q** must NOT be AT AN ANGLE to the hinge plate **P** when assembled. This would indicate that the recess at the bottom of screw **B** had not located in the slot in the hinge plate and the hinge would not be secure. Remove the hinge from the hinge plate and then re-assemble being careful to follow instructions a-c.

e: Attach a handle **L** to the mirror door **9** using 2 screws **G**.



Note: This diagram shows the mirror door being fitted to the long divider on the right side of the unit. You may have fitted the long divider to the left side.



Warning:
Glass! Handle with care

Assembly Instructions

Step 20

Adjust the doors if needed

a: Before adjusting the doors, use a spirit level to check the base (or top) of the unit is level, front-to-back and side-to-side in the 3 positions shown. Use suitable packing pieces (not supplied) to make the unit level BEFORE making any adjustment to the hinges, as shown.

b: Height adjustment.

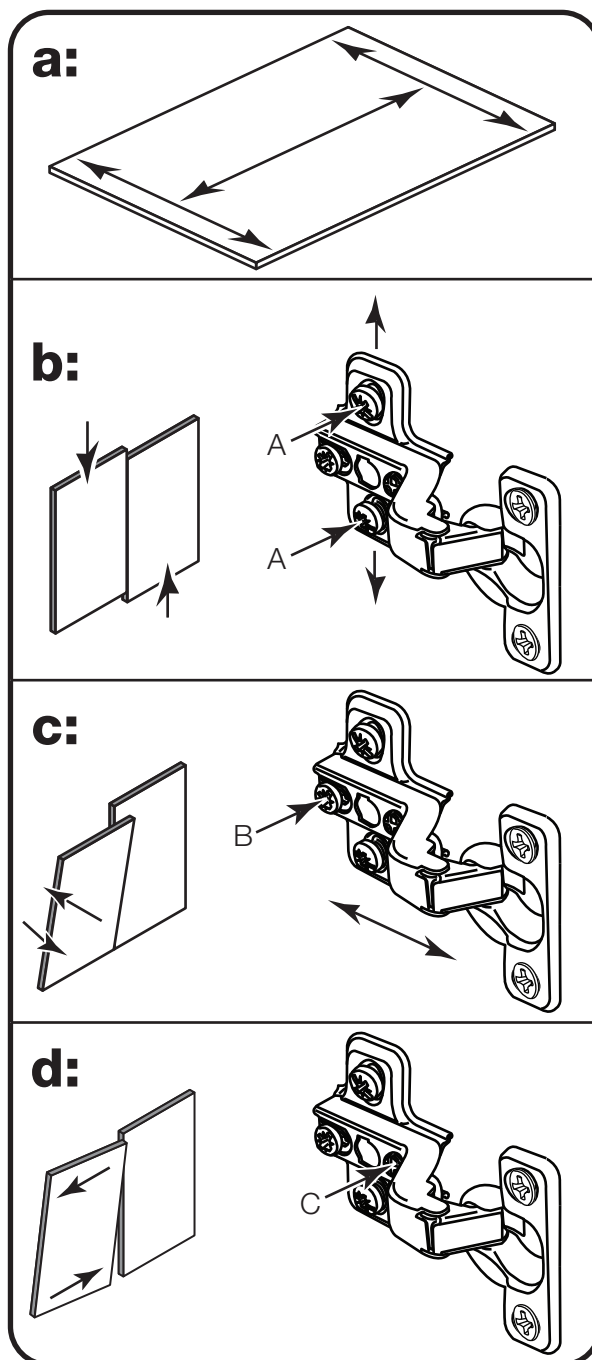
Loosen screws A on hinge plates and move door up or down as required. Retighten screw A.

c: Forward and Back adjustment.

Loosen screw B on hinge plate and move door in or out as required. Retighten screw B.

d: Sideways adjustment.

To move door 'out' loosen screw C. To move door 'in' tighten screw C.



This shows the hinge and plate that is fitted to the standard doors. The ones fitted to the mirror door are adjusted in the same way.

Assembly Instructions

Step 21

Fit the bracket

To prevent possible overbalancing, we recommend that this unit is secured to a suitable wall by use of the bracket **K** fitted to the top of the unit.

Fixings are not supplied, as they will need to suit the wall type and the length of screw will depend on the distance from the back of the unit to the wall.

Fix the bracket **K** loosely onto the top of the unit using screw **H** and mark the wall for the wall fixing.

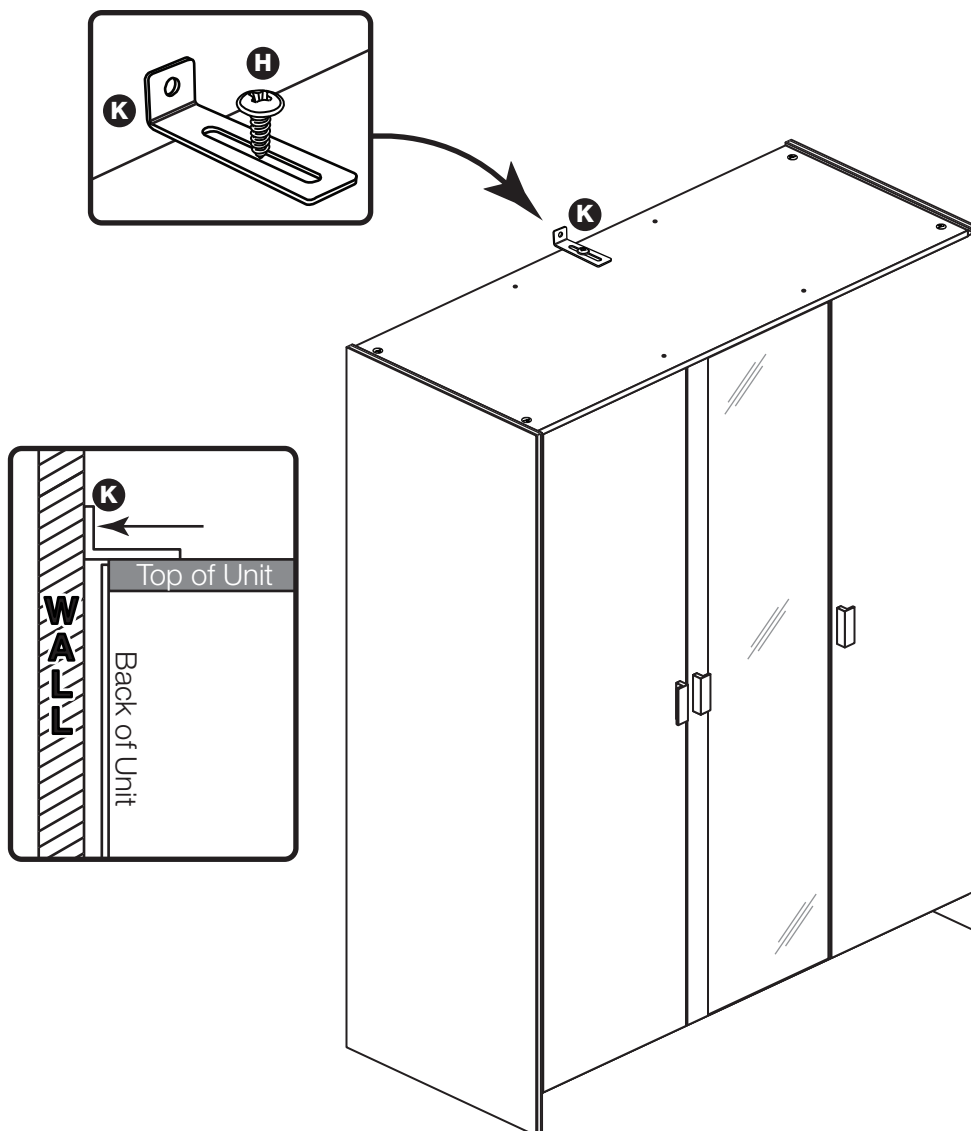
Swivel the bracket **K** away from the wall and drill a hole in the wall using a suitable drill bit and fit your wall fixing.

Swivel the bracket **K** back and fix the bracket to the wall, then tighten Screw **H**.

Note: Take care when drilling the wall that you do not drill into any pipes, wires etc. If in doubt, consult an expert.



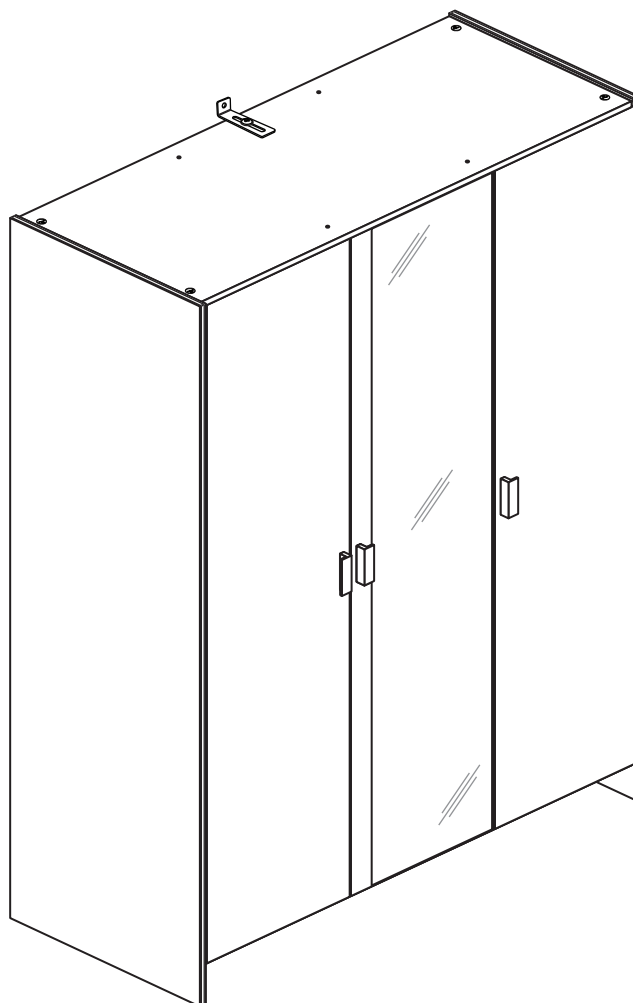
Warning: The unit is heavy. Lift with care.



Assembly Instructions

Step 22

Assembly is complete



IMPORTANT INFORMATION ABOUT THIS PRODUCT

This product complies with the requirements of BS 7449:1991 and has been manufactured by DECORATIVE PANELS FURNITURE LTD, TEESIDE INDUSTRIAL ESTATE, THORNABY-ON-TEES, CLEVELAND, TS17 9LT.

The product code for this unit and the item code(s) for the glass components are listed in the Assembly Instructions along with a description of the type of glass used. All clear/tinted glass complies with the requirements of BS 6206 Class A. All mirrors comply with the requirements of BS 6206 Class C. If the glass component contained in this unit is chipped or broken consult the furniture manufacturer, retailer, or agent with regard to obtaining a manufacturing specification and shape for replacement glass quoting the unit description and batch number or date of manufacture.

Do not place very hot or very cold items against or in close proximity to glass surface(s) unless adequately thick insulating material is used to prevent such items coming in contact with the glass.

Do not strike the glass with hard or pointed items.

Do not sit or stand upon horizontal glass surfaces.

When cleaning glass panels use a damp cloth or leather with washing liquid or soft soap if necessary - do not use washing powders or any other substance containing abrasives since these substances scratch glass.

If stated in the instruction leaflet, it is essential that this unit is fixed to a wall.

KEEP THESE INSTRUCTIONS FOR FUTURE USE

If you need help or have damaged or missing parts, call the **Customer Helpline: 08456 400800** and quote the reference numbers on the component pages.

Argos Ltd, 489-499 Avebury Boulevard, Central Milton Keynes, MK9 2NW

Capella - 3 Door Mirror Robe

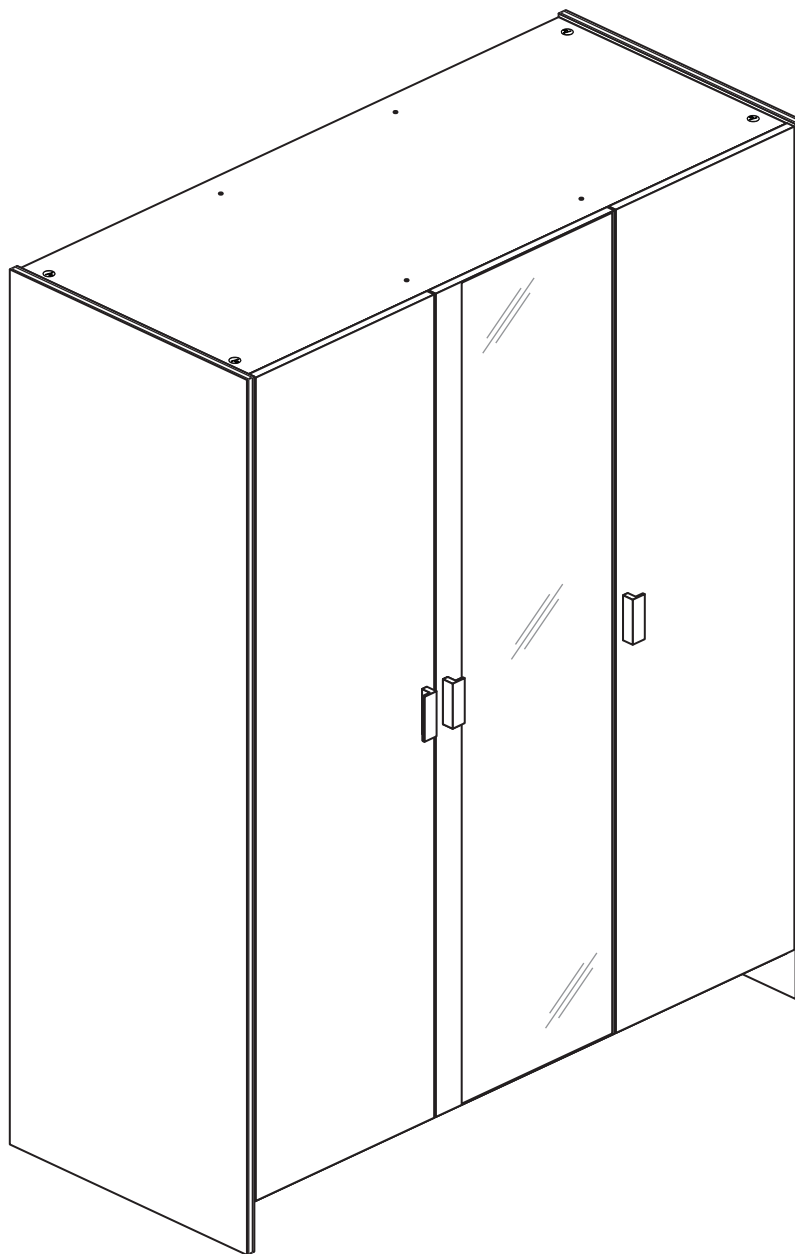
Assembly Instructions - Please keep for future reference

227/5390

246/3188

238/8005

257/8334



Dimensions

Width - 115cm

Depth - 49cm

Height - 181cm



**MADE IN
BRITAIN**

Important - Please read these instructions fully before starting assembly

If you need help or have damaged or missing parts, call the **Customer Helpline: 03456 400800**



Safety and Care Advice

Important - Please read these instructions fully before starting assembly

- **Warning:** This unit weighs approximately 75kgs. Please lift with care.
- Check you have all the components and tools listed on pages 1, 2 and 3.
- Remove all fittings from the plastic bags and separate them into their groups.
- Keep children and animals away from the work area, small parts could choke if swallowed.
- Parts of the assembly will be easier with 2 people.

- Make sure you have enough space to layout the parts before starting.
- Do not stand or put weight on the product, this could cause damage.
- Assemble the item as close to its final position (in the same room) as possible.
- Assemble on a soft level surface to avoid damaging the unit or your floor (use opened out unit carton).



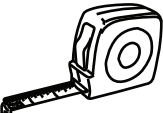


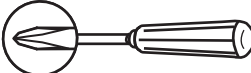


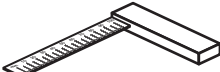


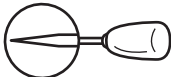
- We do not recommend the use of power drill/drivers **for inserting screws**, as this could damage the unit. Only use hand screwdrivers.

- **Safety note:** It is recommended that this unit is secured to a wall using the overbalance protector kit supplied or, an alternative fixing method of your choice.
- Dispose of all packaging carefully and responsibly.

Care and maintenance

- Only clean using a damp cloth and mild detergent, do not use bleach or abrasive cleaners.
- From time to time check that there are no loose screws on this unit.
- This product should not be discarded with household waste. Take to your local authority waste disposal centre.

Tools required

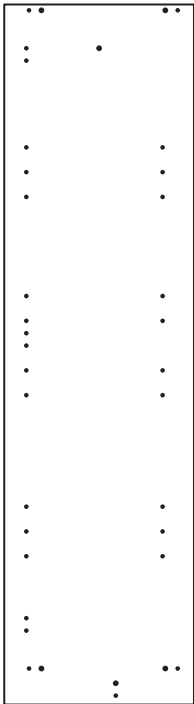
 Rule	 Spirit level	 Eye protection (when using a hammer or drill)	 Cross-head screwdriver	 Electric drill (only use when drilling into walls)	 Step ladder
 Square	 Scissors	 Hammer	 Bradawl		

Note: If required the next page can be cut out and used as reference throughout the assembly. Keep this page with these instructions for future reference.

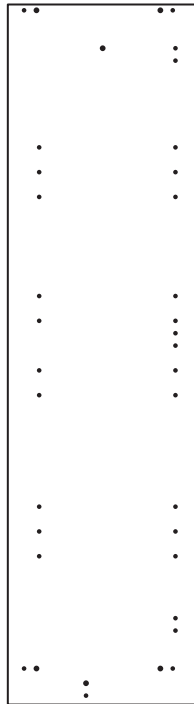
Components - Panels

If you have damaged or missing components, call the **Customer Helpline: 08456 400800** quoting the reference numbers below

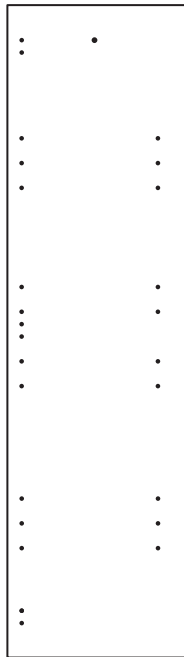
Please check you have all the panels listed below



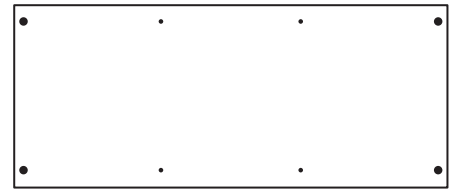
1 Left Side (D1013A)
(1808 x 490mm)



2 Right Side (D1014A)
(1808 x 490mm)



3 Long Divider (D1021A)
(1685 x 470mm)



4 Top/Base (D1018A)
(1119 x 471mm) x 2



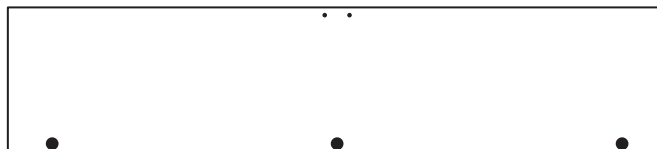
5 Plinth (D1024A)
(1119 x 85mm)



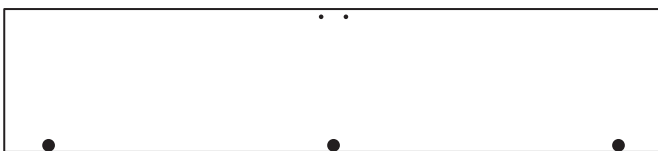
6 Hanging Rail (FHR722)
(722mm long)



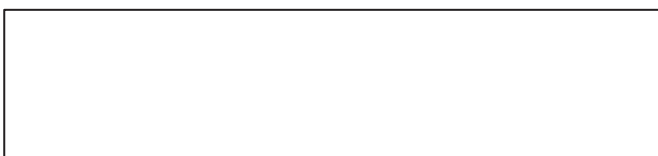
7 Loose Shelf (D1023A)
(369.5 x 469mm) x 3



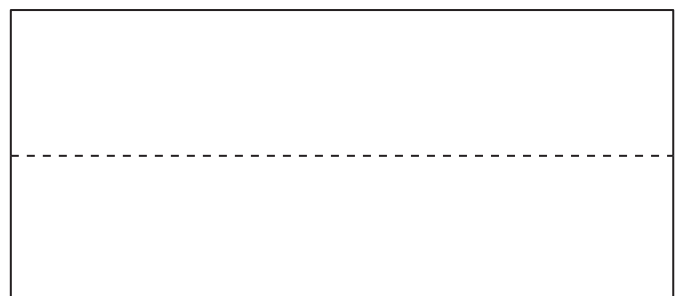
8 Standard Door (D1017A)
(1701 x 369mm) x 2



9 Mirror Door (D1017MA)
(1701 x 369mm) x 1
(Mirror - SG13 - 1696 x 311mm
4mm Safety Back SAR)



10 Small Back (X831A)
(1711 x 392mm)



11 Large Back (X830A)
(1711 x 753mm)


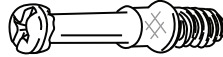
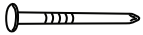






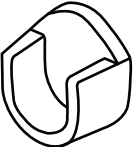
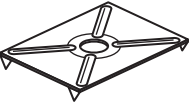
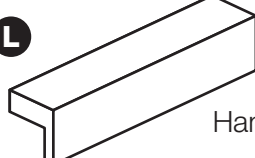

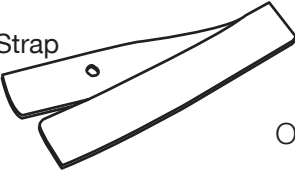


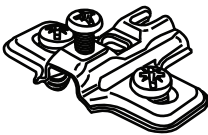


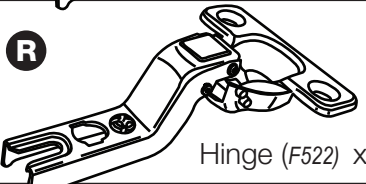


Components - Fittings

If you have damaged or missing components, call the **Customer Helpline: 03456 400800** quoting the reference numbers below

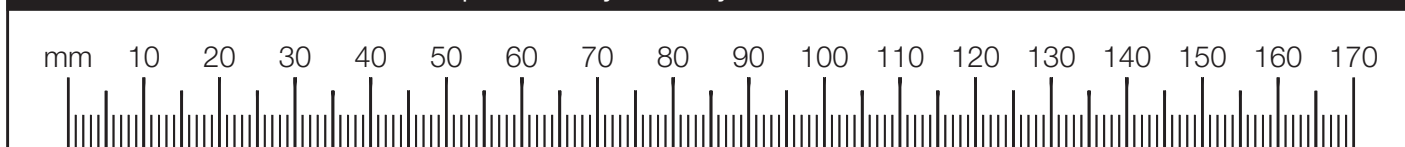
Please check you have all the fittings listed below

Note: The quantities below are the correct amount to complete the assembly. In some cases more fittings may be supplied than are required.

<p>A </p> <p>Wooden dowel (F22) x 10</p>	<p>B </p> <p>Metal dowel (F901) x 10</p>	<p>C </p> <p>Nail (F51) x 40</p>
<p>D </p> <p>Large locking nut (F900) x 10</p>	<p>E </p> <p>40mm Screw (F910) x 4</p>	<p>F </p> <p>Shelf stud (F110) x 12</p>
<p>G </p> <p>25mm Screw (F50) x 6</p>	<p>H </p> <p>Nail screw (F277) x 6</p>	<p>I </p> <p>13mm Screw (F63) x 18</p>
<p>J </p> <p>Rail holder (F1014) x 2</p>	<p>K </p> <p>Back holder (F276) x 6</p> <p><i>*These can also be round</i></p>	<p>L </p> <p>Handle (F930) x 3</p>
<p>M </p> <p>Plastic Nail (F91) x 5</p>	<p>N    Washer x 2</p> <p>Overbalance protector kit (F269) x 1</p>	
<p>O </p> <p>Hinge plate (F523) x 3</p>	<p>P </p> <p>Hinge (F518) x 3</p>	<p>← These 3 hinges and plates are in the bag labelled as AHP1043</p>
<p>Q </p> <p>Hinge plate (F523) x 6</p>	<p>R </p> <p>Hinge (F522) x 6</p>	<p>← These 6 hinges and plates are in the bag labelled as AHP1546</p>

Important: Keep the Hinges and Hinge Plates in their bags until they are used. They must not get mixed up.

Ruler - Use this ruler to help correctly identify the screws



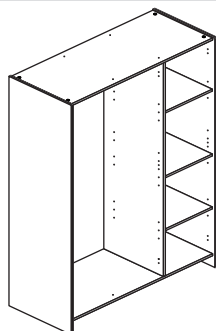
Assembly Instructions

If you have damaged or missing components, call the
Customer Helpline: 03456 400800 quoting the reference
numbers below

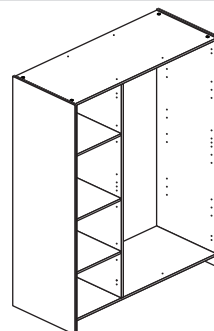
Step 1

**Choose which side
you would like the
shelves**

Shelves on
the right side



Shelves on
the left side



Step 2

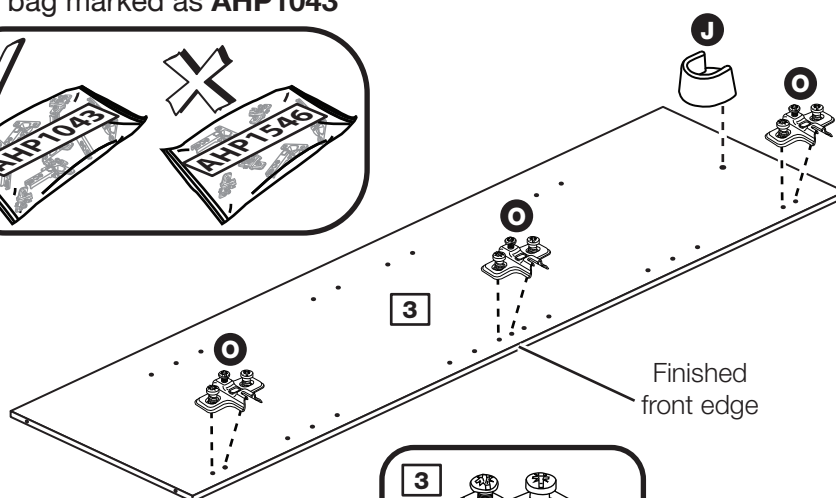
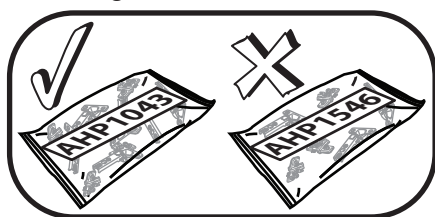
**Prepare the long
divider**

**Only carry out this step
if you have chosen to
fit the shelves on the
right side.**

Fit 3 hinge plates **O** onto
the long divider **3**,
making sure that the slot
is facing towards the
finished front edge.

Push a rail holder **O** into
the long divider **3**.
Make sure that it is fitted
straight, in line with the
panel edges.

Important: The 3 hinge
plates used in this step are in
the bag marked as **AHP1043**



Step 3

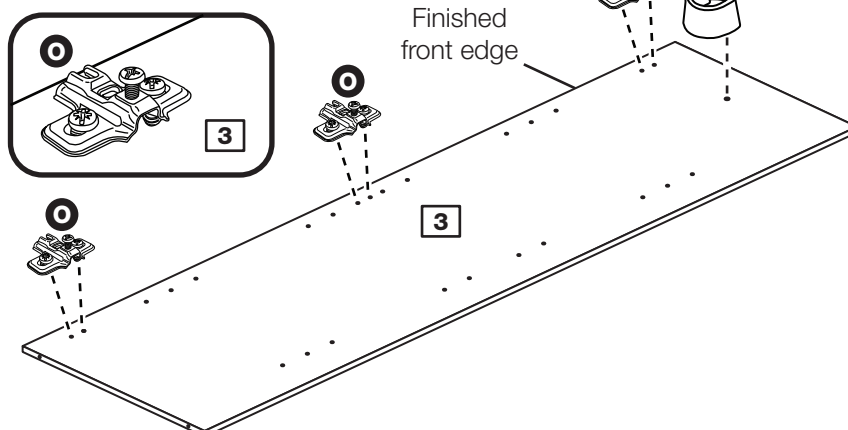
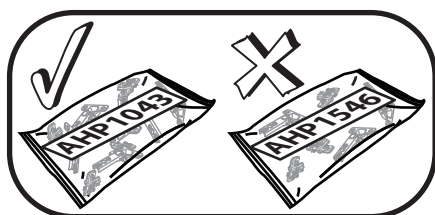
**Prepare the long
divider**

**Only carry out this step
if you have chosen to
fit the shelves on the
left side.**

Fit 3 hinge plates **O** onto
the long divider **3**,
making sure that the slot
is facing towards the
finished front edge.

Push a rail holder **J** into
the long divider **3**.
Make sure that it is fitted
straight, in line with the
panel edges.

Important: The 3 hinge
plates used in this step are in
the bag marked as **AHP1043**



Assembly Instructions

Step 4

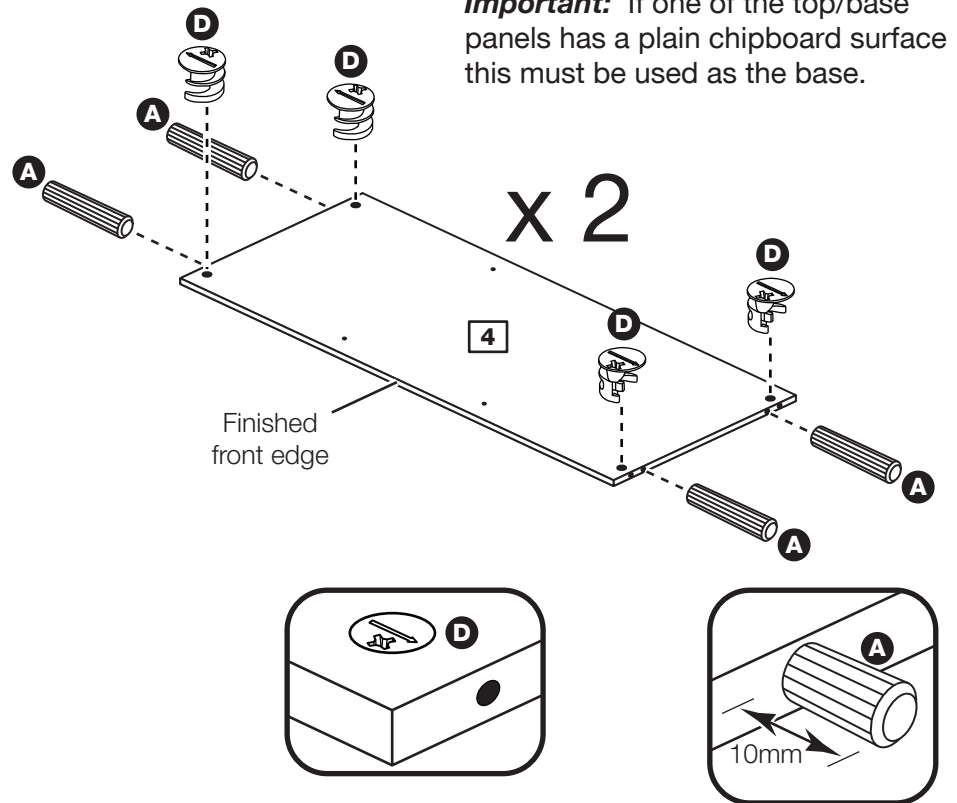
Prepare the top and base

Tap 4 wooden dowels **A** into the top **4** and base **4** as shown.

Note: Wooden dowels **must not** stick out from the edge by more than 10mm or they may damage other panels.

Insert 4 large locking nuts **D** into the top **4** and base **4** as shown.

Note: The arrow on the locking nut **must** point towards the hole in the edge of the panel.



Step 5

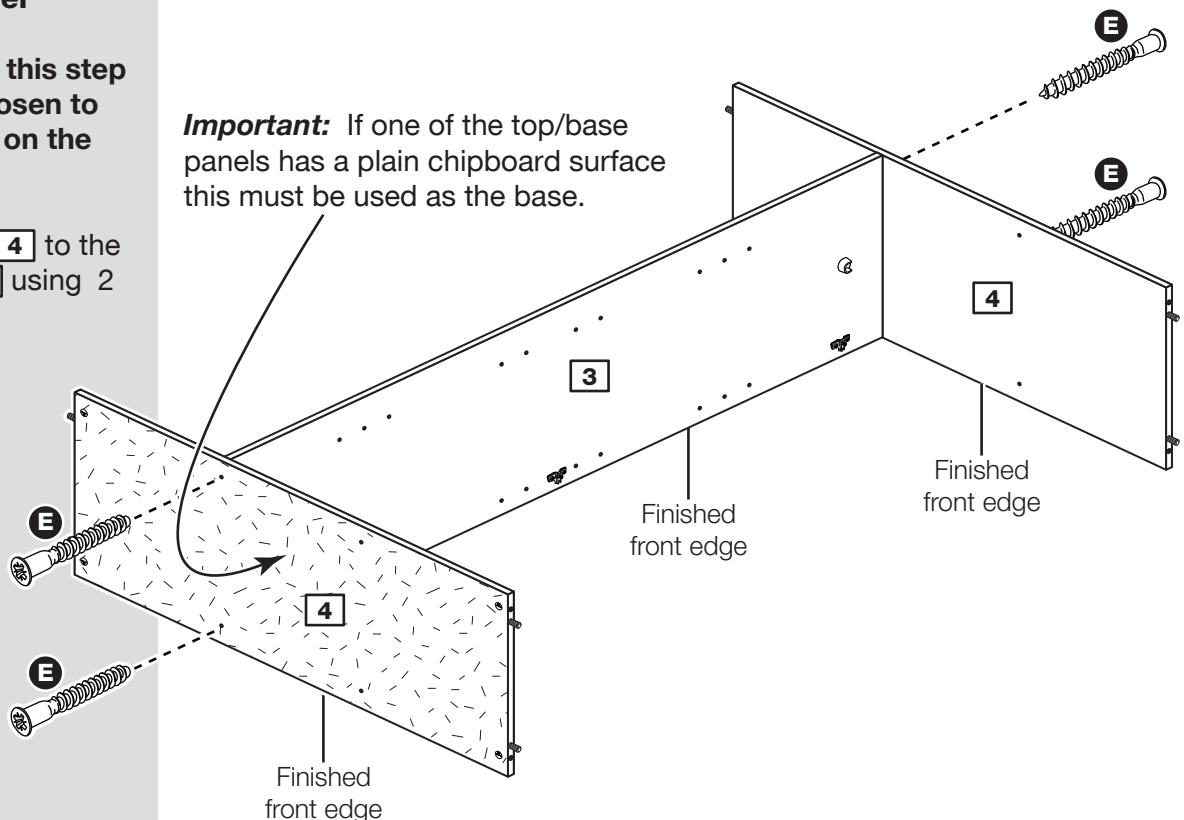
Fit top and base to the long divider

Only carry out this step if you have chosen to fit the shelves on the right side.

Attach the top **4** to the long divider **3** using 2 screws **E**.

Attach the base **4** to the long divider **3** using 2 screws **E**.

Important: If one of the top/base panels has a plain chipboard surface this must be used as the base.



Assembly Instructions

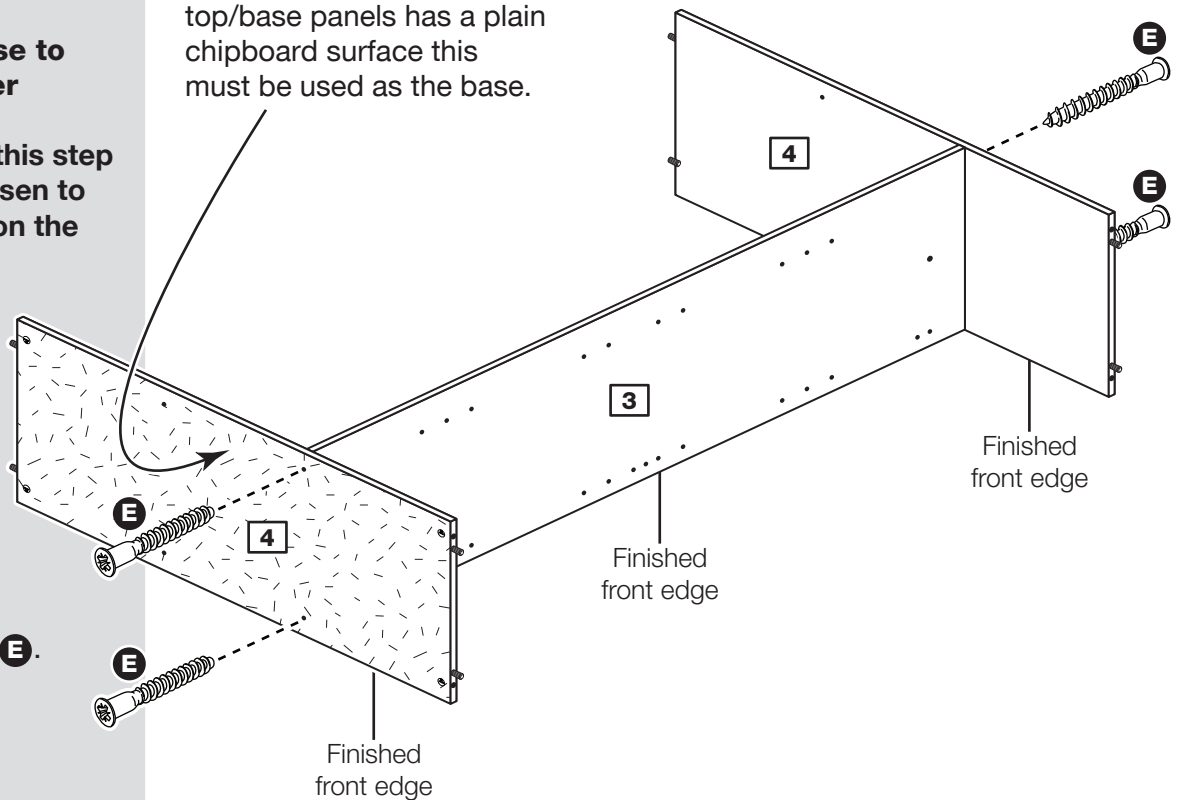
Step 6

Fit top and base to the long divider

Only carry out this step if you have chosen to fit the shelves on the left side.

Attach the top **4** to the long divider **3** using 2 screws **E**.

Attach the base **4** to the long divider **3** using 2 screws **E**.



Step 7

Prepare the right side

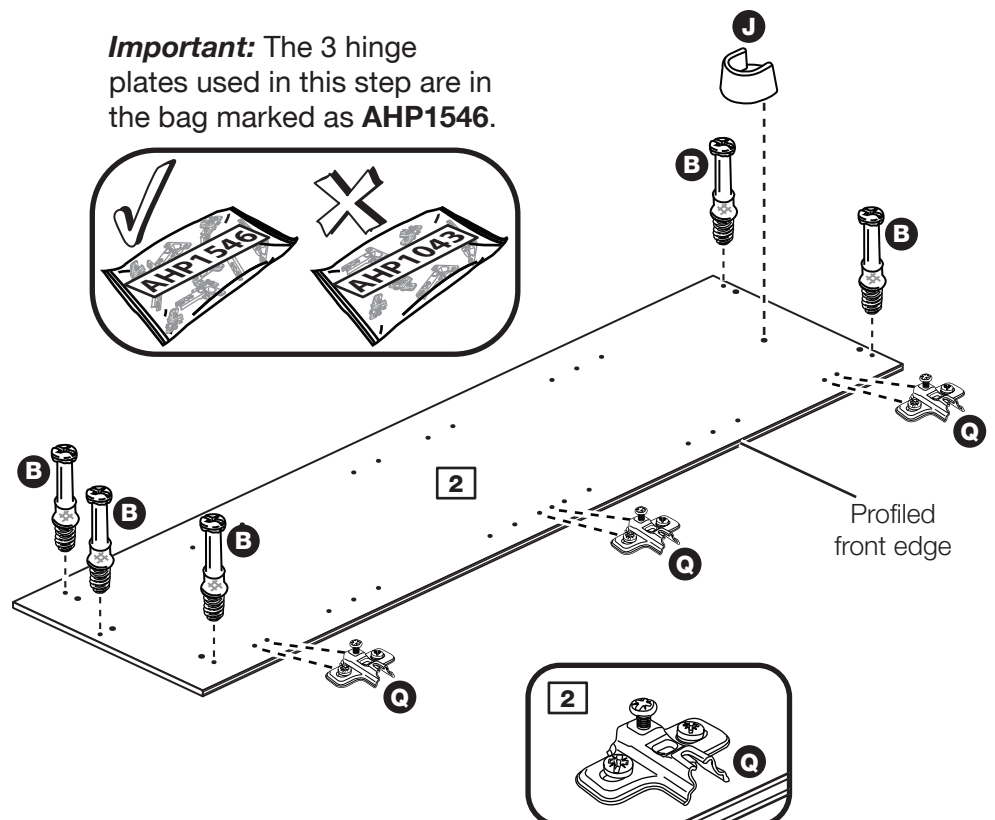
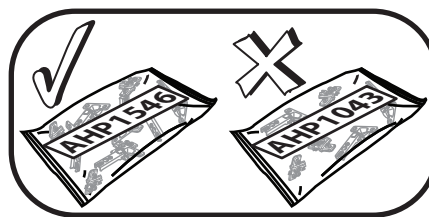
Fit 3 hinge plates **Q** onto the right side **2**, making sure that the slot is facing towards the finished front edge.

Screw 5 metal dowels **B** into the right side **2**.

Note: Tighten the metal dowels up fully against the panels.

Refer to step 1 and, **only if you have chosen to put the shelves on the left side**, push a rail holder **J** into the right side **2**. Make sure that it is fitted straight, in line with the panel edges.

Important: The 3 hinge plates used in this step are in the bag marked as **AHP1546**.



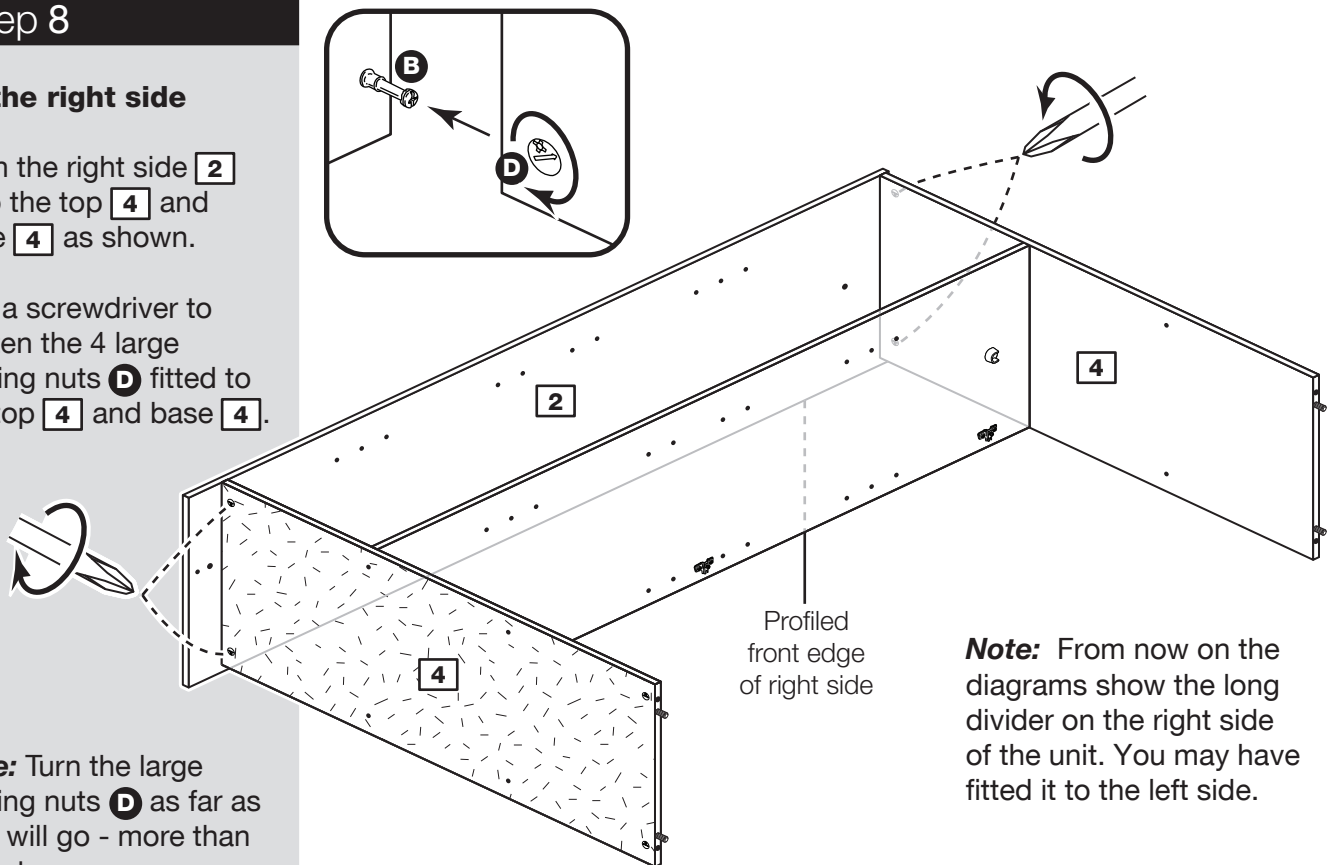
Assembly Instructions

Step 8

Fit the right side

Push the right side **2** onto the top **4** and base **4** as shown.

Use a screwdriver to tighten the 4 large locking nuts **D** fitted to the top **4** and base **4**.



Note: Turn the large locking nuts **D** as far as they will go - more than 1/2 a turn.

Note: From now on the diagrams show the long divider on the right side of the unit. You may have fitted it to the left side.

Step 9

Prepare the left side

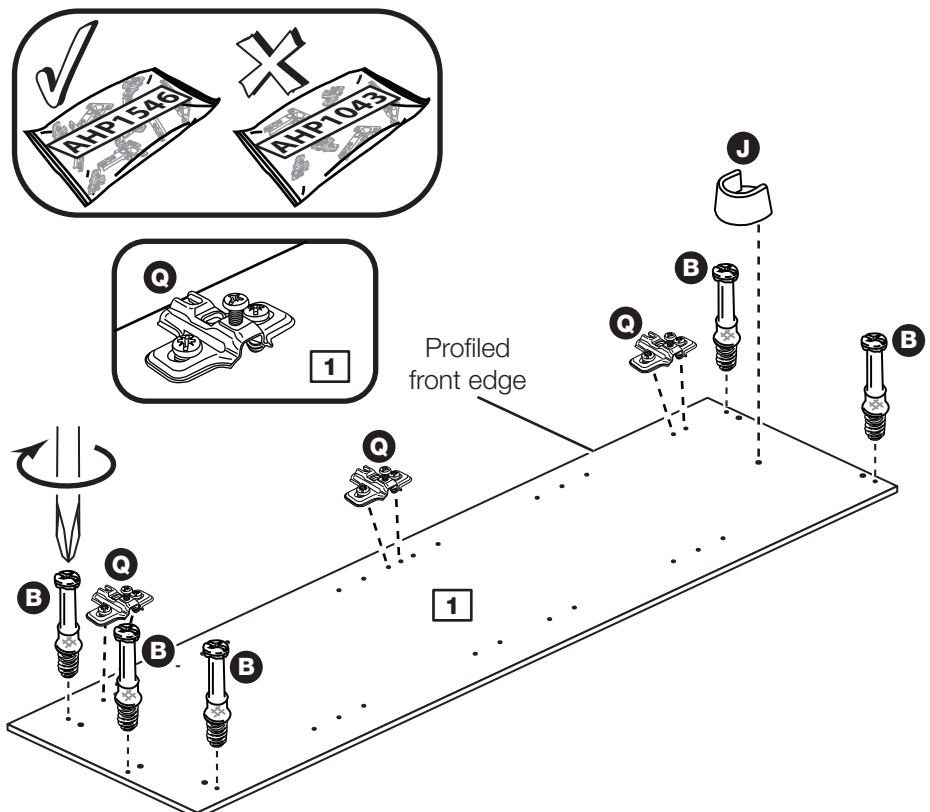
Fit 3 hinge plates **Q** onto the left side **1**, making sure that the slot is facing towards the finished front edge.

Screw 5 metal dowels **B** into the left side **1**.

Note: Tighten the metal dowels up fully against the panels.

Refer to step 1 and, **only if you have chosen to put the shelves on the right side**, push a rail holder **J** into the left side **1**. Make sure that it is fitted straight, in line with the panel edges.

Important: The 3 hinge plates used in this step are in the bag marked as **AHP1546**.



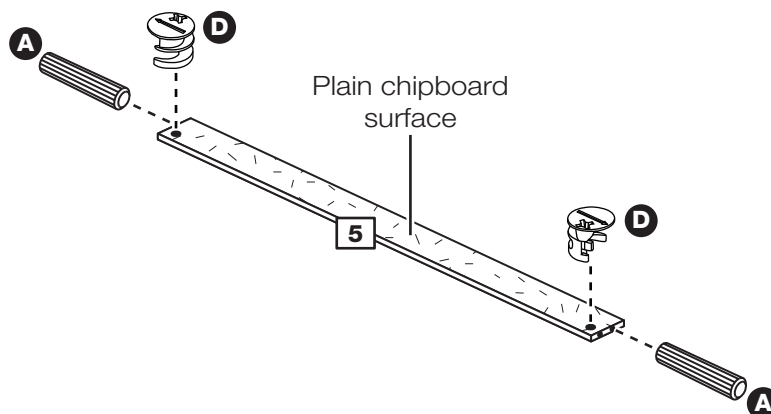
Assembly Instructions

Step 10

Prepare the plinth

Tap 2 wooden dowels **A** into the plinth **5**.

Insert 2 large locking nuts **D** into the plinth **5**.

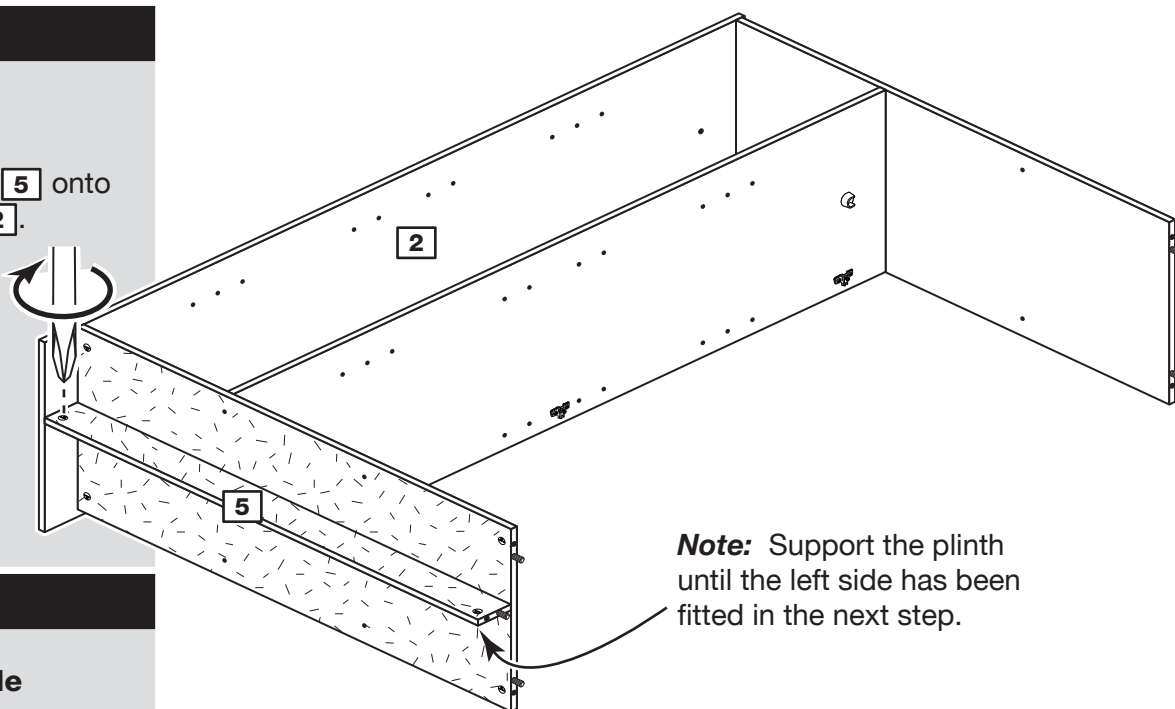


Step 11

Fit the plinth

Push the plinth **5** onto the right side **2**.

Use a screwdriver to tighten the large locking nut **D** fitted to the plinth **5**.

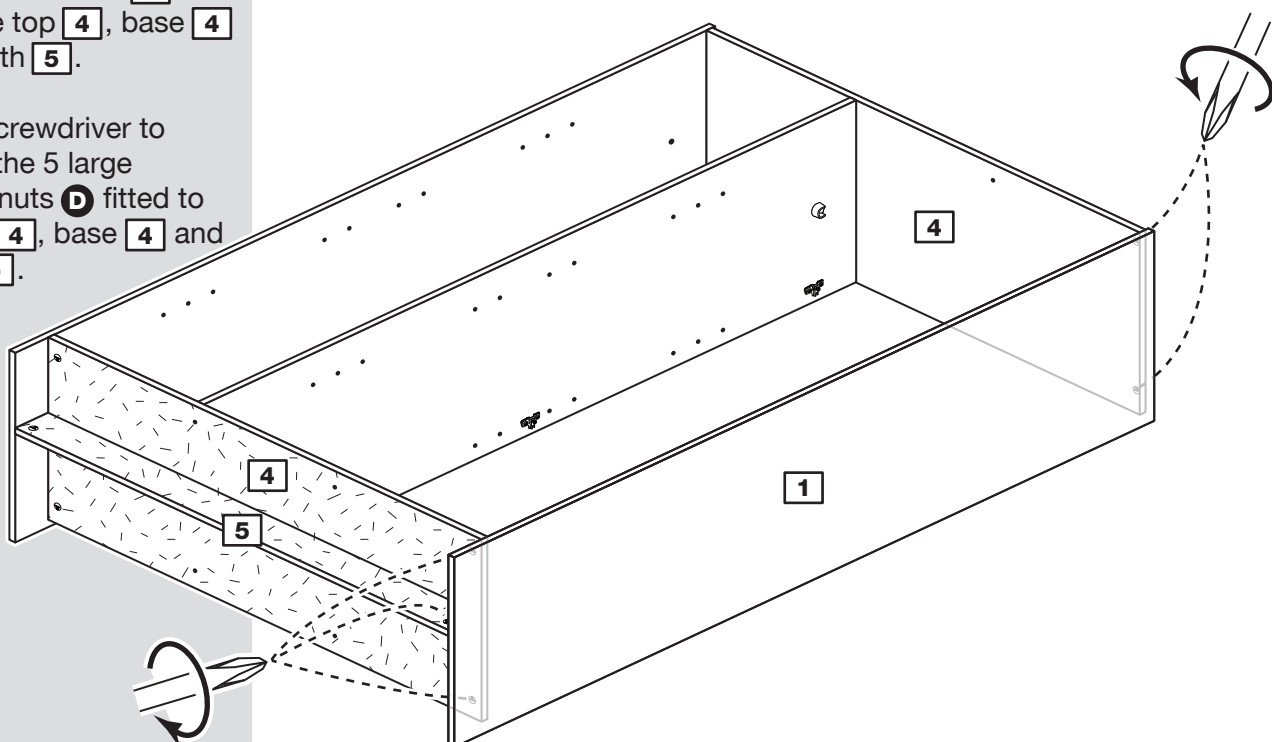


Step 12

Fit the left side

Push the left side **1** onto the top **4**, base **4** and plinth **5**.

Use a screwdriver to tighten the 5 large locking nuts **D** fitted to the top **4**, base **4** and plinth **5**.



Assembly Instructions

Step 13

Fit the back panels

a: Square up the unit by making sure that measurement **x to x** equals **y to y**.

b: Place the small back **10** and large back **11** coloured surface facing down, onto the unit as shown.

Make sure that the 2 backs **10** and **11** are pushed up tight against each other and that they meet in the centre of the long divider's **3** back edge.

Nail **c** around the outside edges of the 2 backs **10** and **11**.

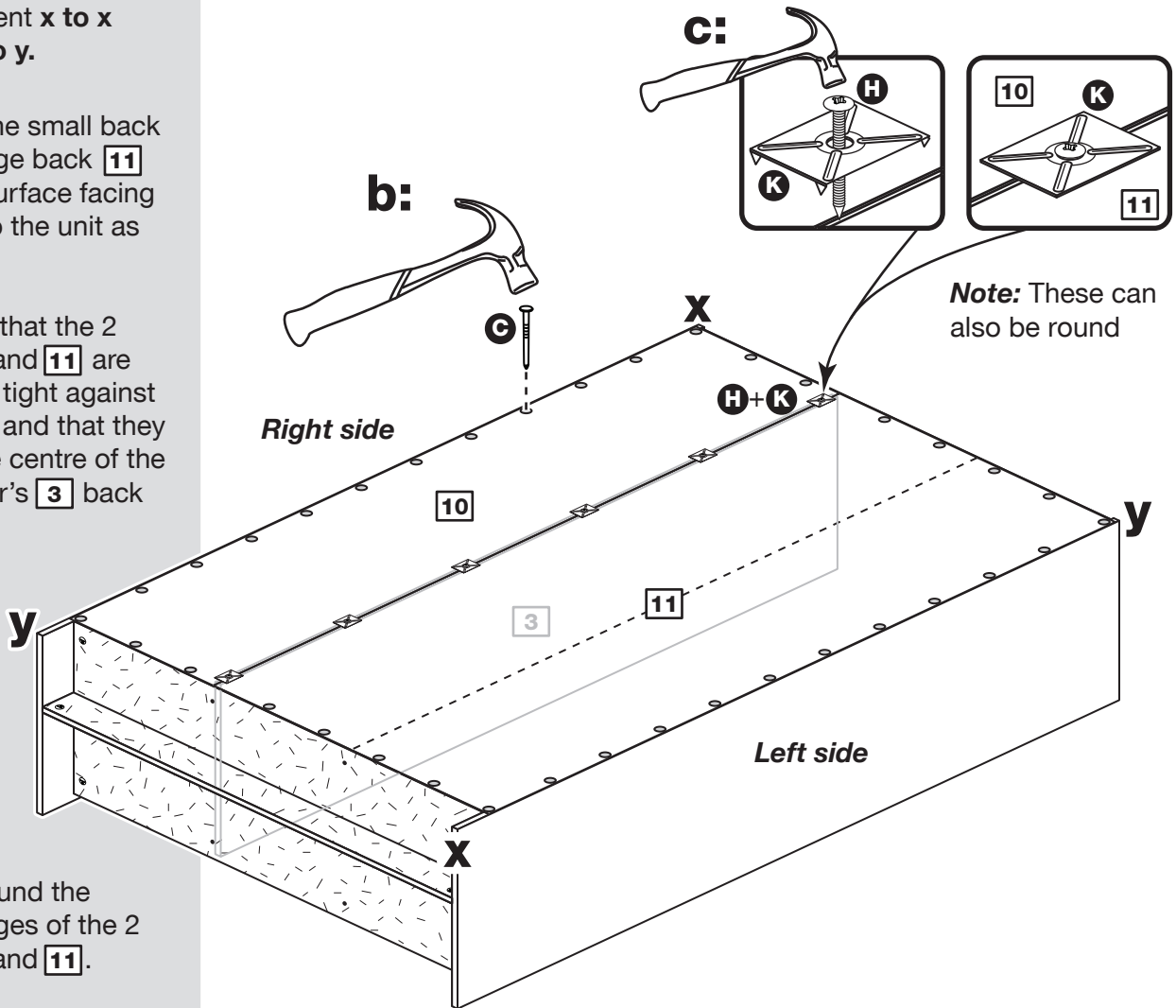
Note: Do not nail where the 2 backs meet. Nails should be spaced out evenly.

c: Push the 6 nail screws **H** through the 6 back holders **K** and tap them down between the 2 backs **10** and **11** and into the back edge of the long divider **3**.

Keep tapping the nail screws **H** in until the back holders **K** dig into the backs.

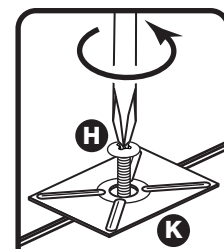
Important: If you have fitted the long divider on the left side of the unit the backs will need to go the opposite way around i.e. the small back on the left side and the large back on the right side.

a: The measurement from top corner X to bottom corner X must be equal to the measurement from top corner Y to bottom corner Y



Warning: The unit is heavy. Lift with care.

Note: If ever you need to take the backs off to dismantle the unit, the nail screws can be taken out using a screwdriver.

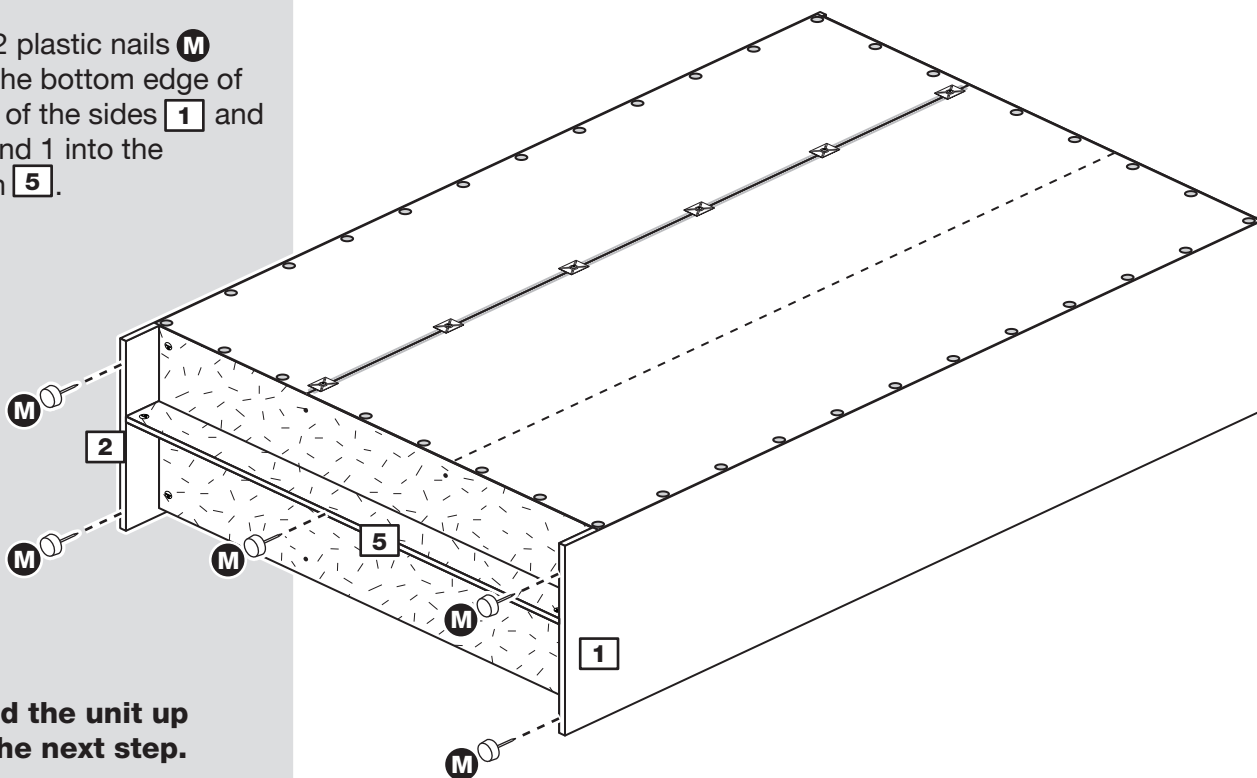


Assembly Instructions

Step 14

Fit the 5 plastic nails

Tap 2 plastic nails **M** into the bottom edge of each of the sides **1** and **2** and 1 into the plinth **5**.



Stand the unit up for the next step.



Warning: The unit is heavy. Lift with care.

Assembly Instructions

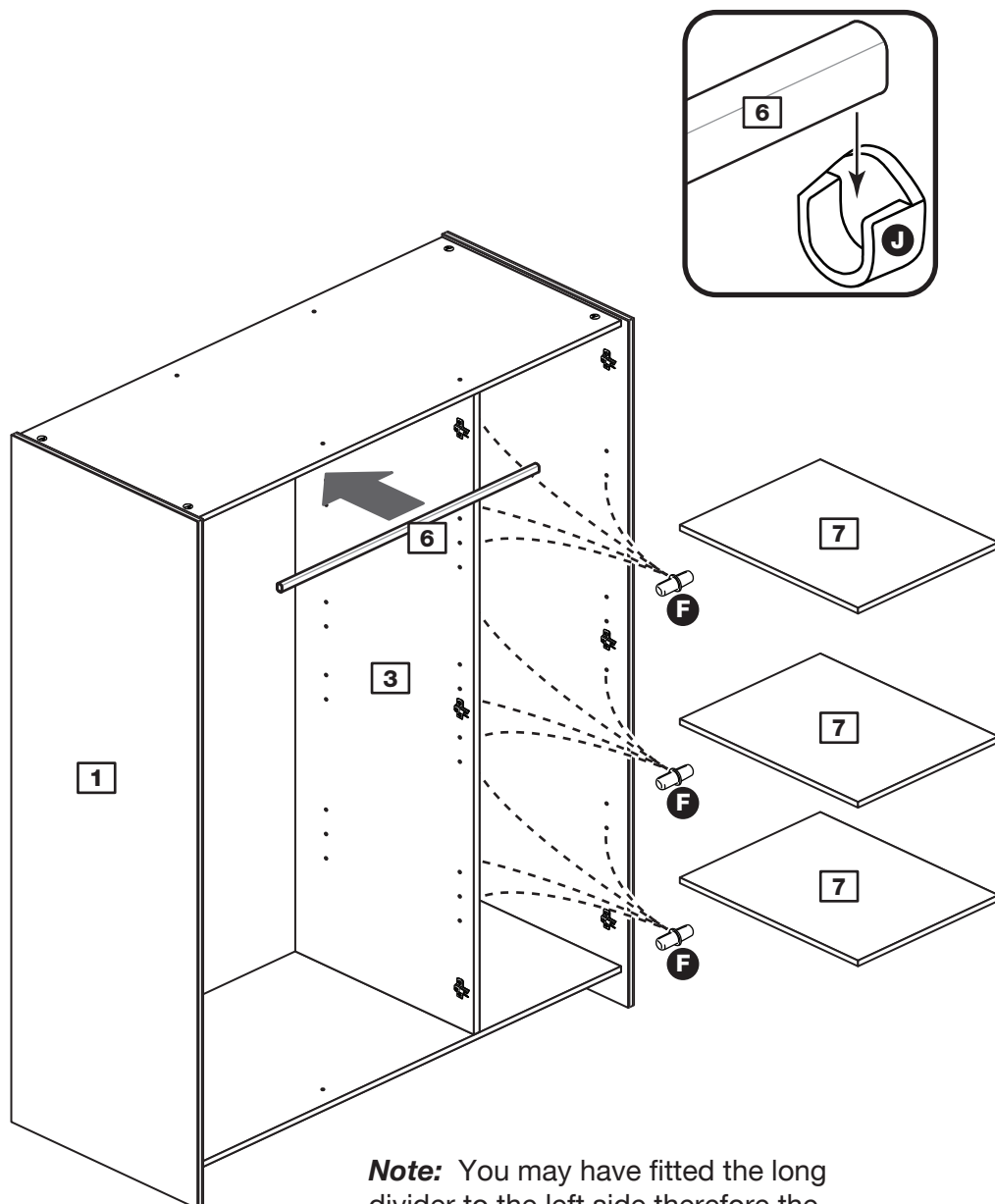
Step 15

Fit the hanging rail and shelves

Push the hanging rail **6** into the rail holders **J** fitted to the left side **1** and long divider **3**.

For each of the 3 shelves **7**, insert 4 shelf studs **F** at the required height.

Lower the 3 shelves **7** down onto the shelf studs **F**.



Note: You may have fitted the long divider to the left side therefore the shelves will go on the left and the hanging rail on the right.

Assembly Instructions

Step 16

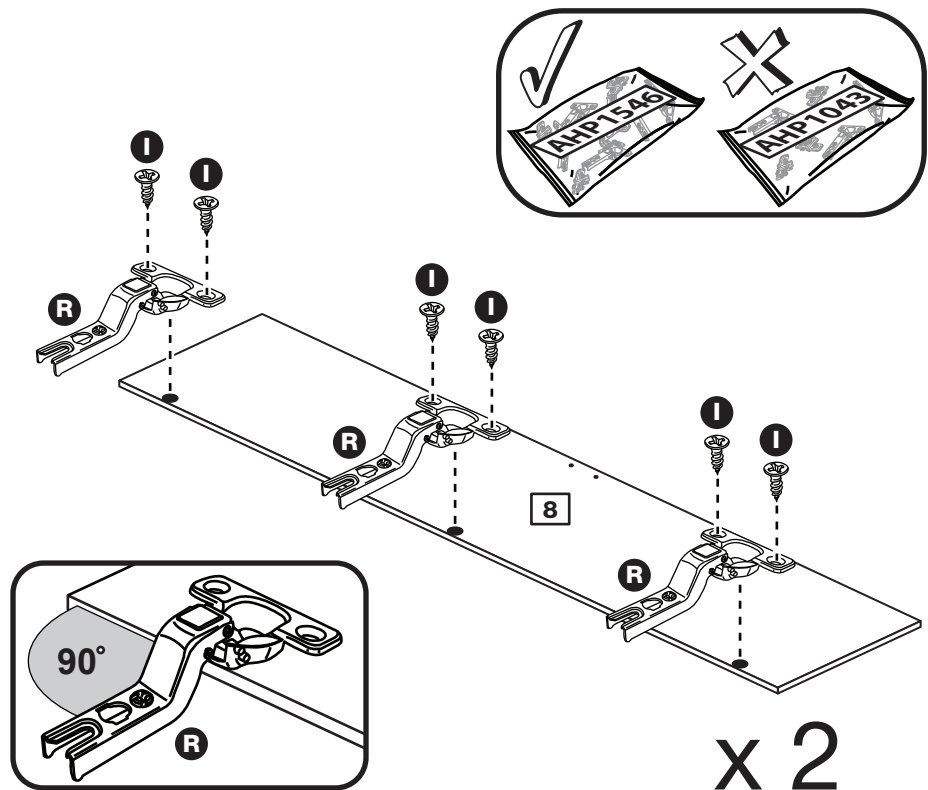
Prepare the 2 standard doors

Important: The 6 hinges used in this step are in the bag marked as **AHP1546**.

Push fit 3 hinges **R** into each standard door **8**.

Secure each hinge with 2 screws **I**.

Note: Before securing with the screws, make sure that the hinges are positioned at 90 degrees with the edge of the door.



Step 17

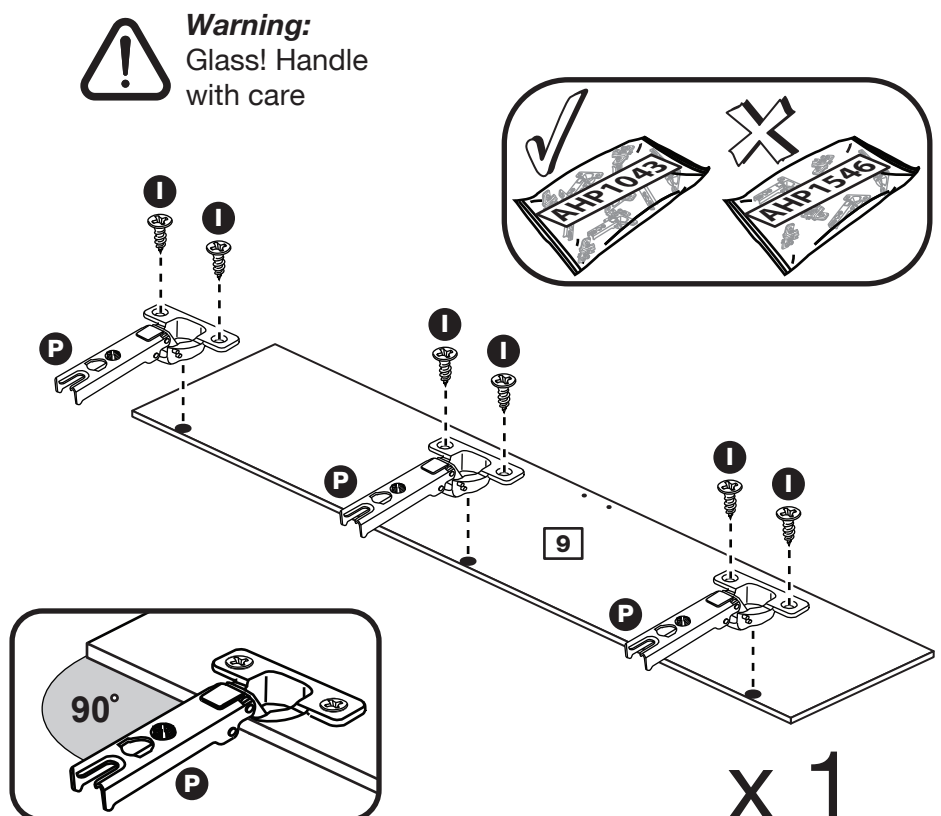
Prepare the mirror door

Important: The 3 hinges used in this step are in the bag marked as **AHP1043**.

Push fit 3 hinges **P** into the mirror door **9**.

Secure each hinge with 2 screws **I**.

Note: Before securing with the screws, make sure that the hinges are positioned at 90 degrees with the edge of the door.



Assembly Instructions

Step 18

Fit the standard doors and handles

Note: The easiest way to attach each door [8] is to fit the top hinge first, then align and fit the other hinges.

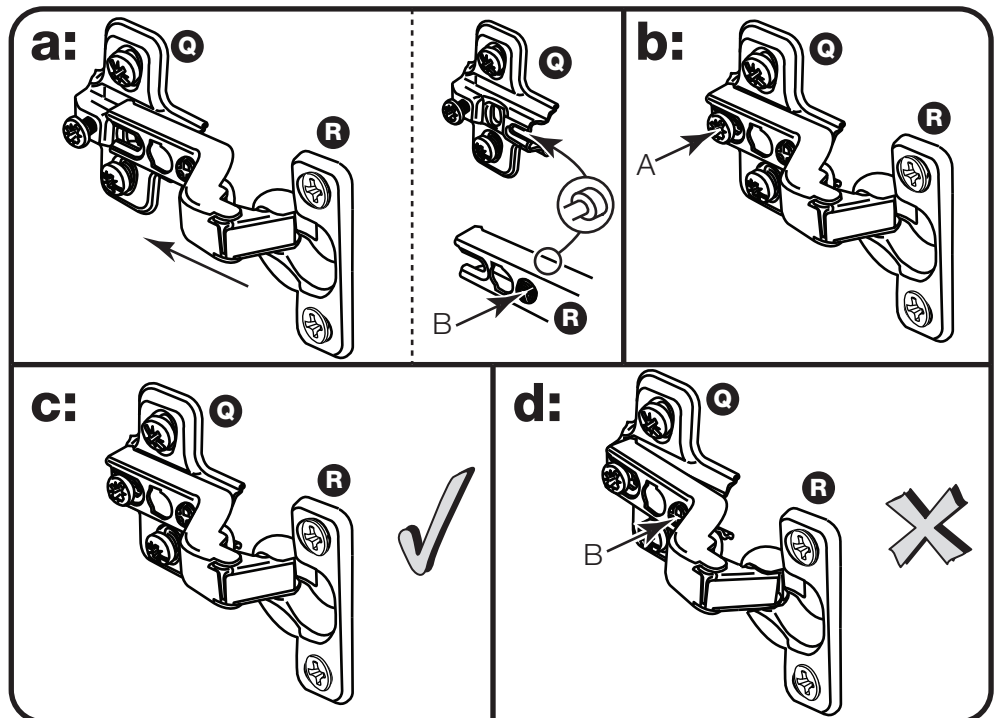
a: Push the hinge [R] onto the front part of the hinge plate [Q]. The recess at the bottom of screw B goes into the slot in the hinge plate.

b: Keep the hinge [R] FLAT against the hinge plate [Q] as you slide it across as far as it will go. Tighten screw A.

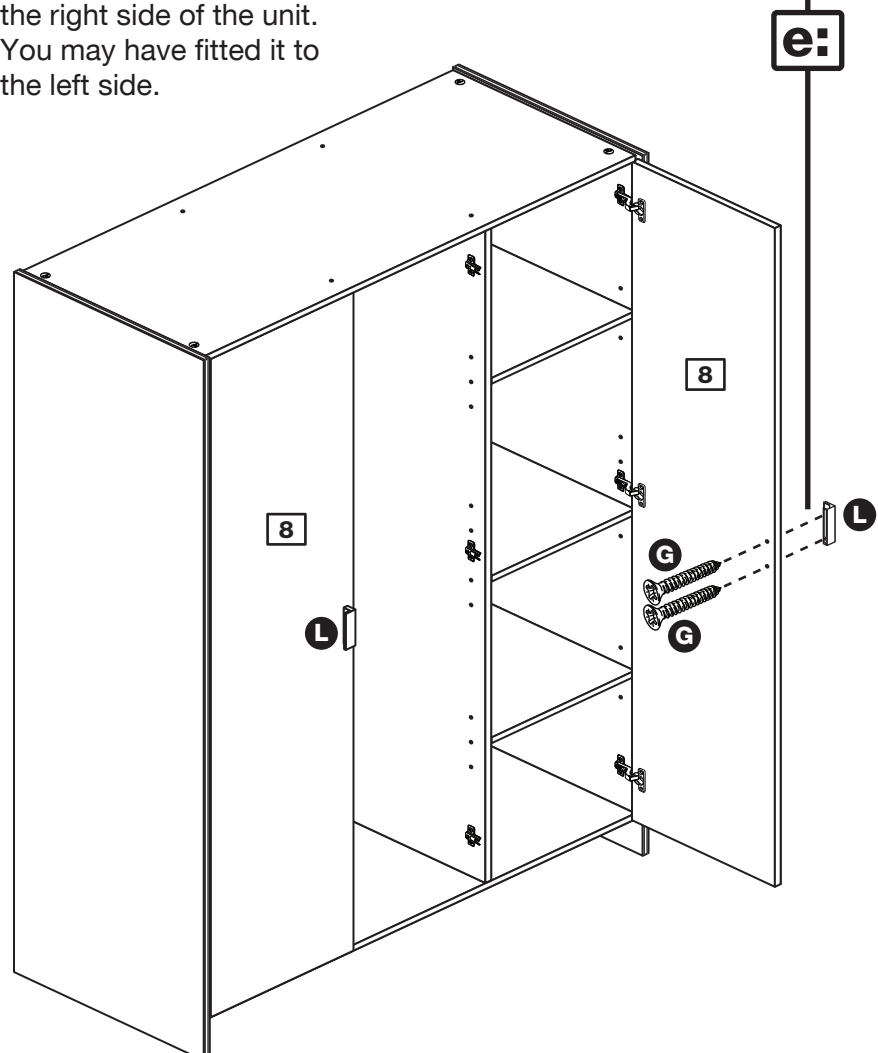
c: The hinge [R] must be flat against the hinge plate [Q] prior to any adjustment.

d: The hinge [R] must NOT be AT AN ANGLE to the hinge plate [Q] when assembled. This would indicate that the recess at the bottom of screw B had not located in the slot in the hinge plate and the hinge would not be secure. Remove the hinge from the hinge plate and then re-assemble being careful to follow instructions a-c.

e: Attach a handle [L] to each standard door [8] using 2 screws [G].



Note: This diagram shows the long divider on the right side of the unit. You may have fitted it to the left side.



Assembly Instructions

Step 19

Fit the mirror door and handle

Note: The easiest way to attach the mirror door **9** is to fit the top hinge first, then align and fit the other hinges.

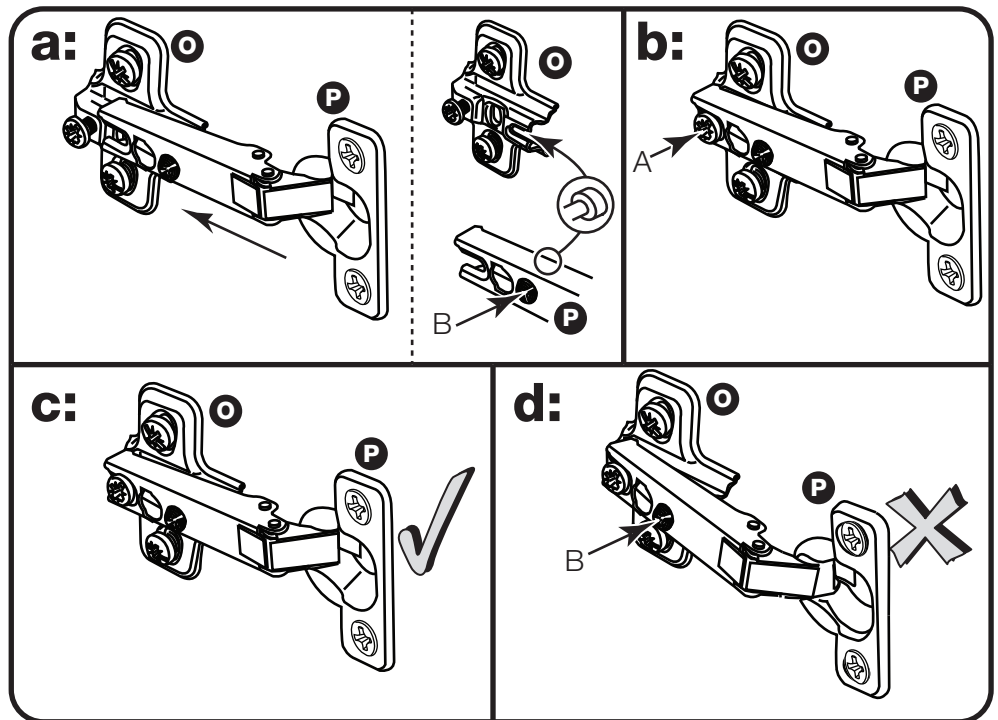
a: Push the hinge **P** onto the front part of the hinge plate **O**. The recess at the bottom of screw **B** goes into the slot in the hinge plate.

b: Keep the hinge **P** FLAT against the hinge plate **O** as you slide it across as far as it will go. Tighten screw **A**.

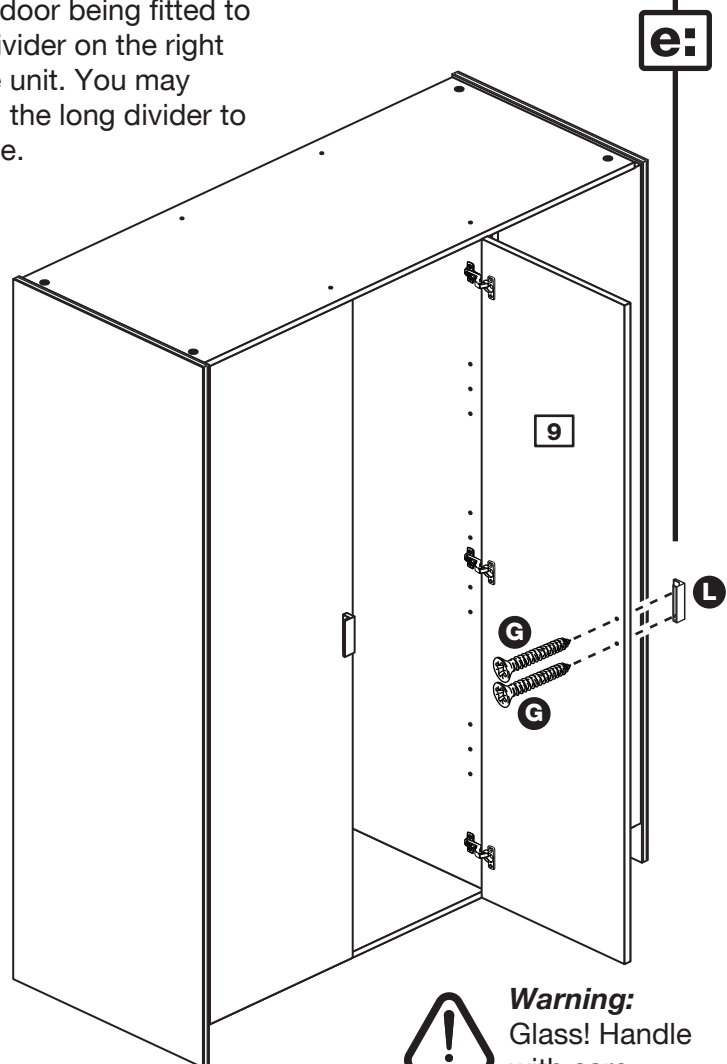
c: The hinge **P** must be flat against the hinge plate **O** prior to any adjustment.

d: The hinge **P** must NOT be AT AN ANGLE to the hinge plate **O** when assembled. This would indicate that the recess at the bottom of screw **B** had not located in the slot in the hinge plate and the hinge would not be secure. Remove the hinge from the hinge plate and then re-assemble being careful to follow instructions a-c.

e: Attach a handle **L** to the mirror door **9** using 2 screws **G**.



Note: This diagram shows the mirror door being fitted to the long divider on the right side of the unit. You may have fitted the long divider to the left side.



Warning: Glass! Handle with care

Assembly Instructions

Step 20

Adjust the doors if needed

a: Before adjusting the doors, use a spirit level to check the base (or top) of the unit is level, front-to-back and side-to-side in the 3 positions shown. Use suitable packing pieces (not supplied) to make the unit level BEFORE making any adjustment to the hinges, as shown.

b: Height adjustment.

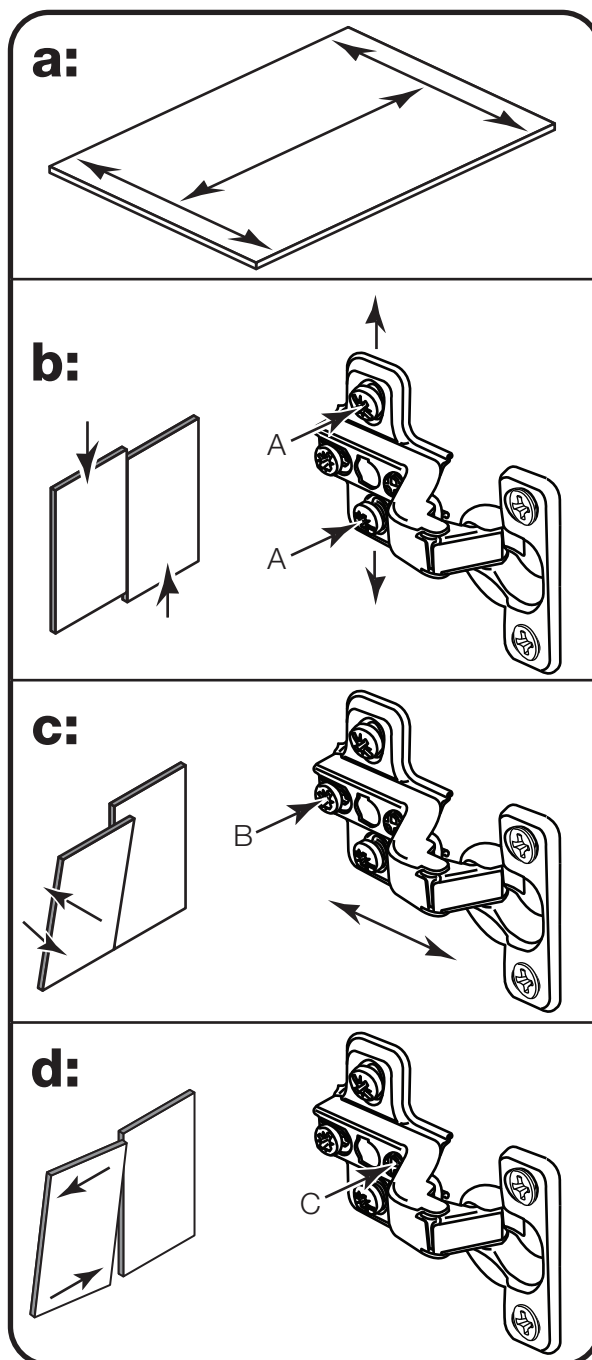
Loosen screws A on hinge plates and move door up or down as required. Retighten screw A.

c: Forward and Back adjustment.

Loosen screw B on hinge plate and move door in or out as required. Retighten screw B.

d: Sideways adjustment.

To move door 'out' loosen screw C. To move door 'in' tighten screw C.



This shows the hinge and plate that is fitted to the standard doors. The ones fitted to the mirror door are adjusted in the same way.

Assembly Instructions

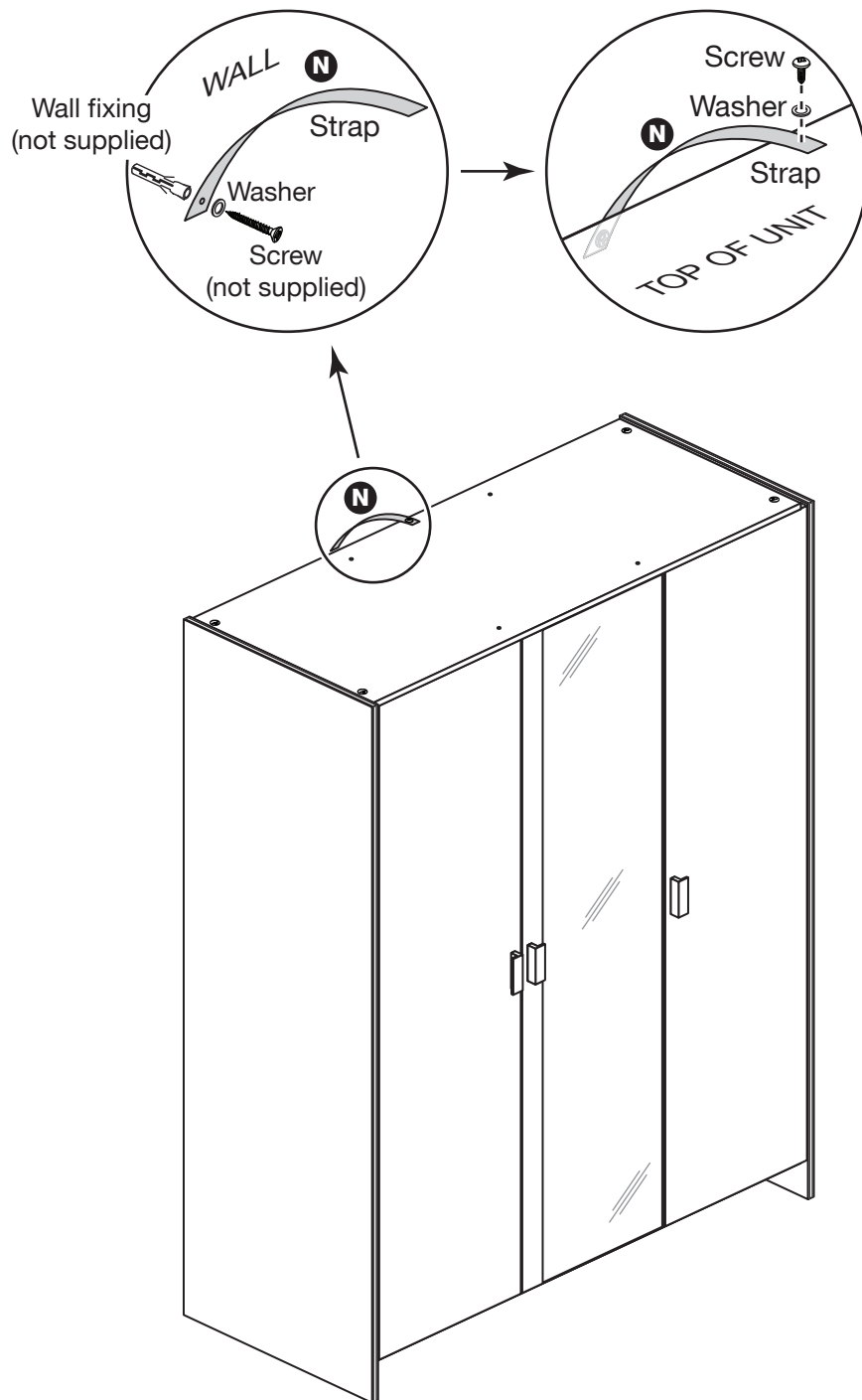
Step 21

Fit the overbalance protector kit

To prevent possible overbalancing we recommend that this unit is secured to a suitable wall by fitting of the overbalance protector kit **N** to the unit, or an alternative fixing method of your choice.

Wall fixings are not supplied as they will need to suit the wall type.

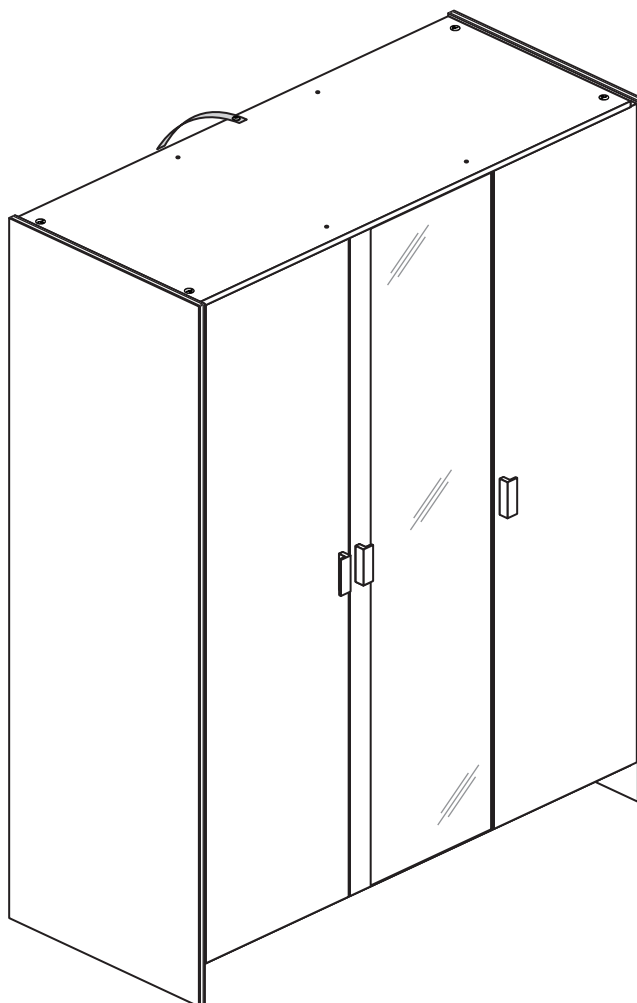
Note: Take care when drilling the wall that you do not drill into any pipes, wires etc. If in doubt, consult an expert.



Assembly Instructions

Step 22

Assembly is complete



IMPORTANT INFORMATION ABOUT THIS PRODUCT

This product complies with the requirements of BS 7449:1991 and has been manufactured by DECORATIVE PANELS FURNITURE LTD, TEESIDE INDUSTRIAL ESTATE, THORNABY-ON-TEES, CLEVELAND, TS17 9LT.

The product code for this unit and the item code(s) for the glass components are listed in the Assembly Instructions along with a description of the type of glass used. All clear/tinted glass complies with the requirements of BS 6206 Class A. All mirrors comply with the requirements of BS 6206 Class C. If the glass component contained in this unit is chipped or broken consult the furniture manufacturer, retailer, or agent with regard to obtaining a manufacturing specification and shape for replacement glass quoting the unit description and batch number or date of manufacture.

Do not place very hot or very cold items against or in close proximity to glass surface(s) unless adequately thick insulating material is used to prevent such items coming in contact with the glass.

Do not strike the glass with hard or pointed items.

Do not sit or stand upon horizontal glass surfaces.

When cleaning glass panels use a damp cloth or leather with washing liquid or soft soap if necessary - do not use washing powders or any other substance containing abrasives since these substances scratch glass.

If stated in the instruction leaflet, it is essential that this unit is fixed to a wall.

KEEP THESE INSTRUCTIONS FOR FUTURE USE

If you need help or have damaged or missing parts, call the **Customer Helpline: 03456 400800** and quote the reference numbers on the component pages.

Argos Ltd, 489-499 Avebury Boulevard, Central Milton Keynes, MK9 2NW

