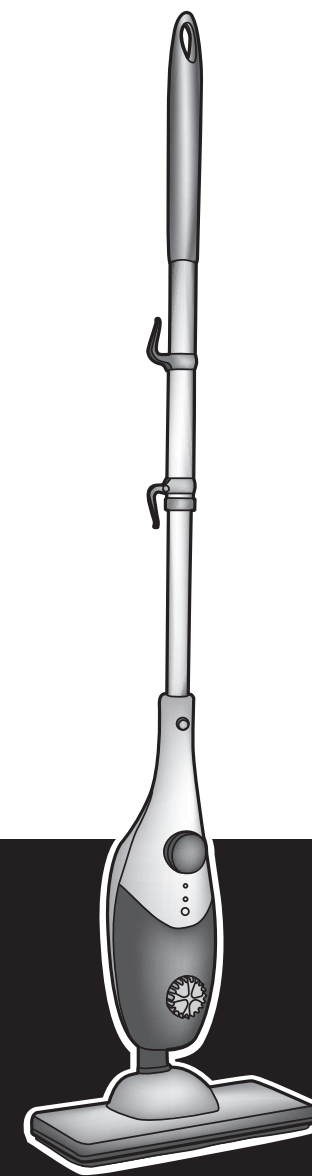




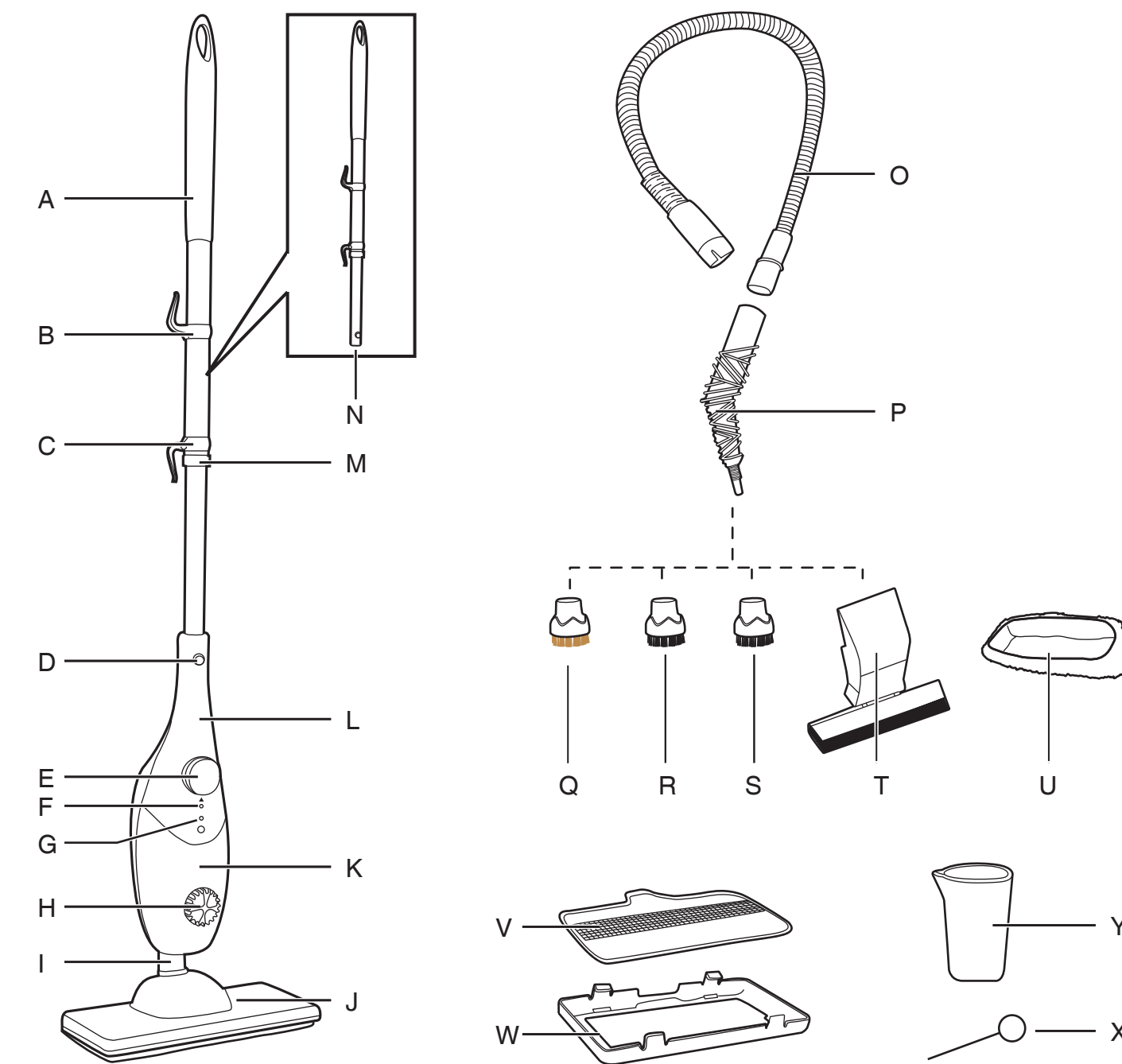
HOOVER

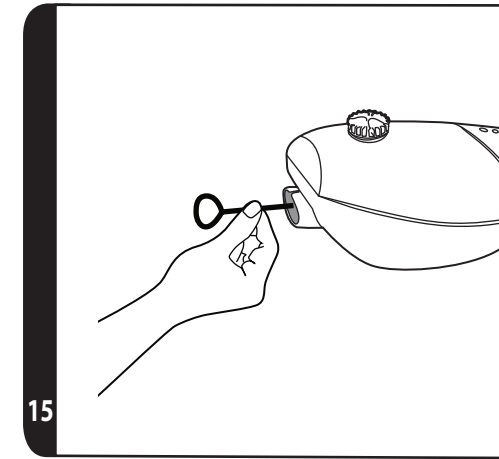
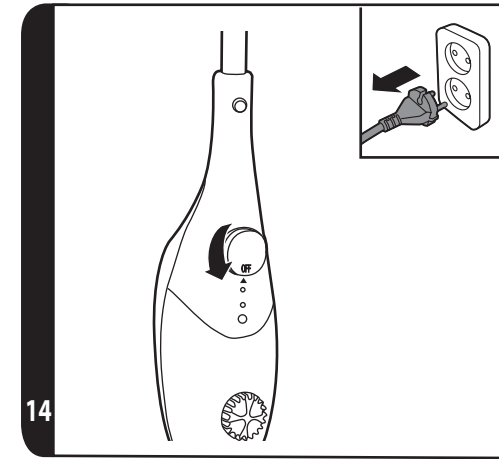
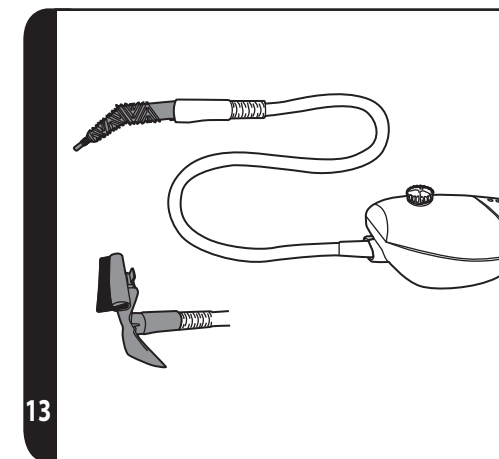
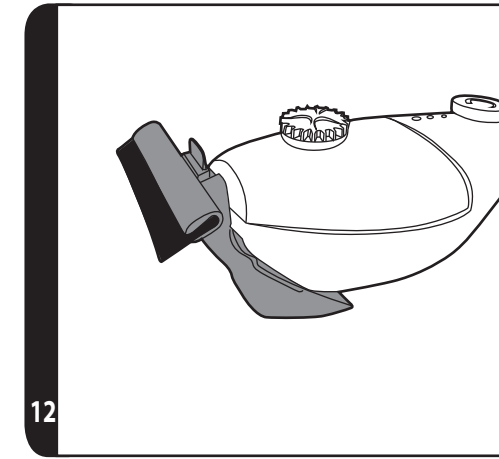
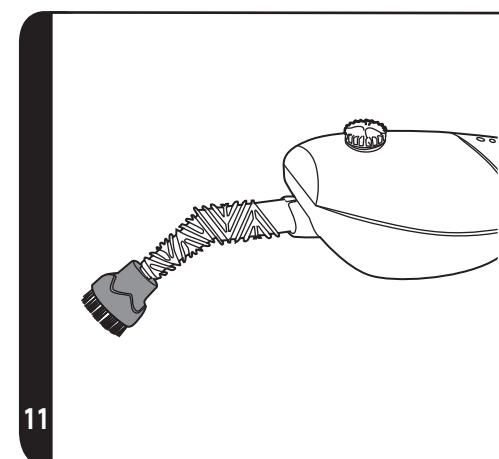
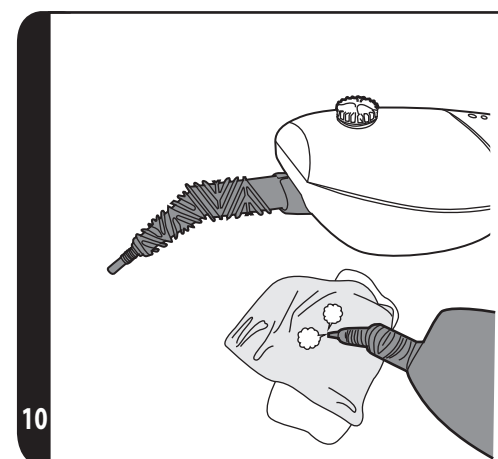
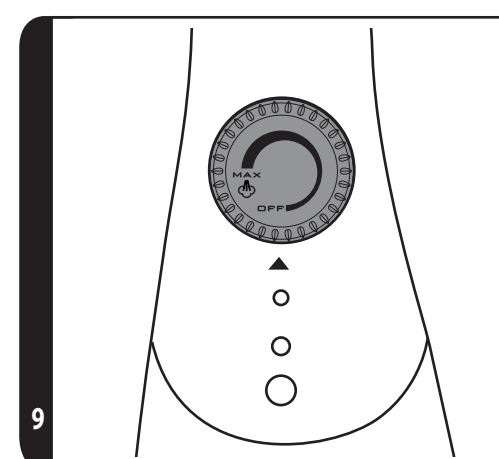
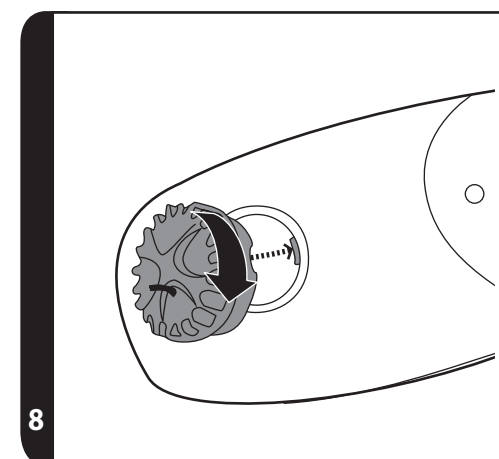
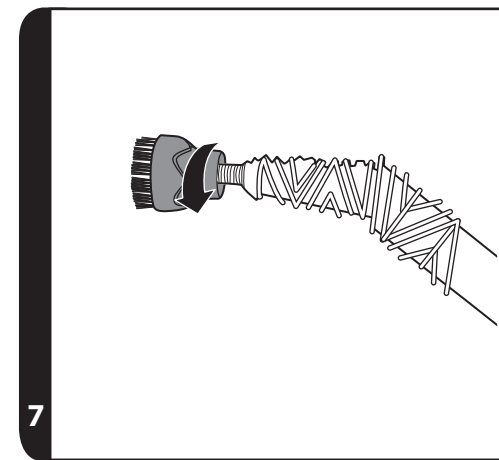
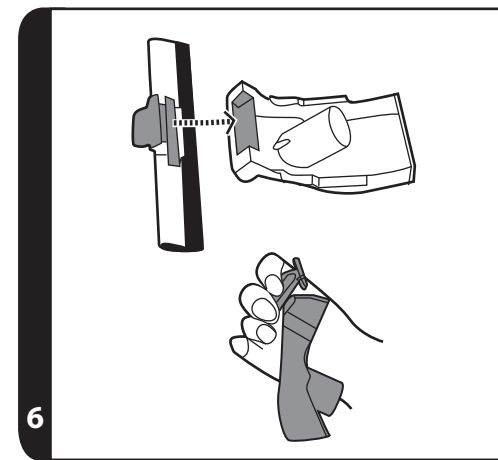
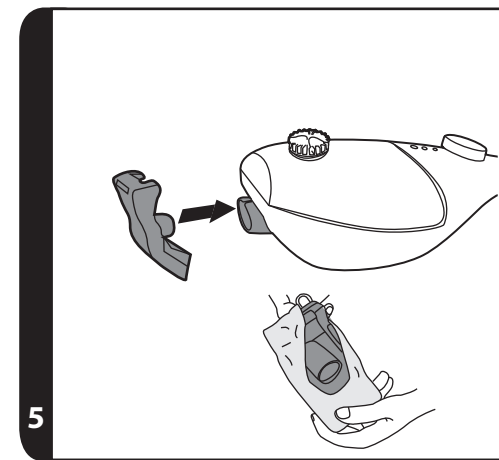
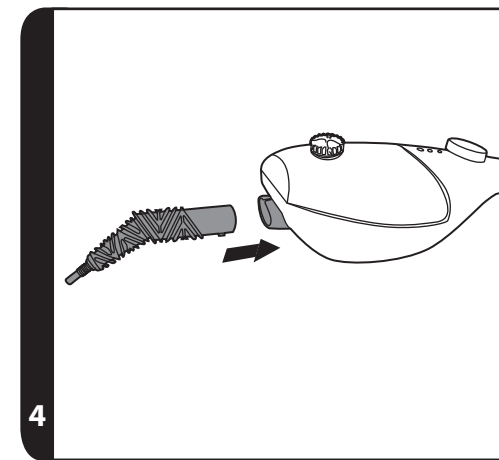
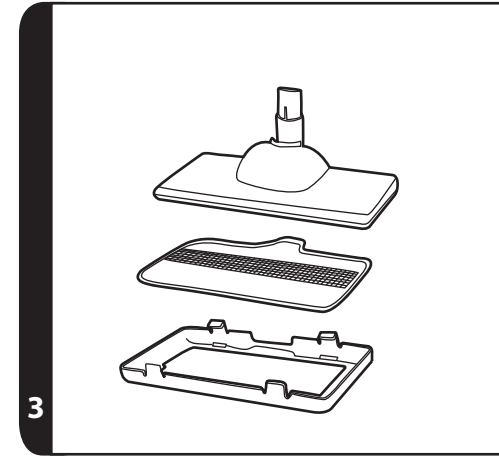
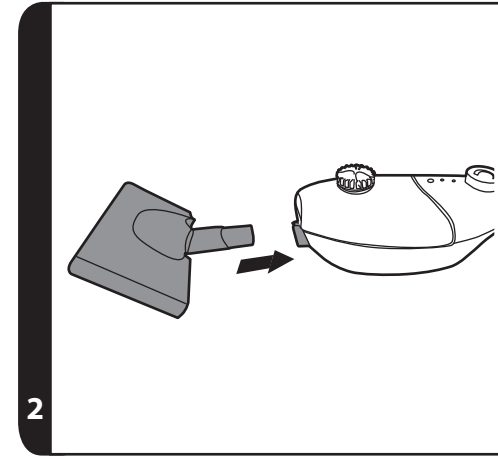
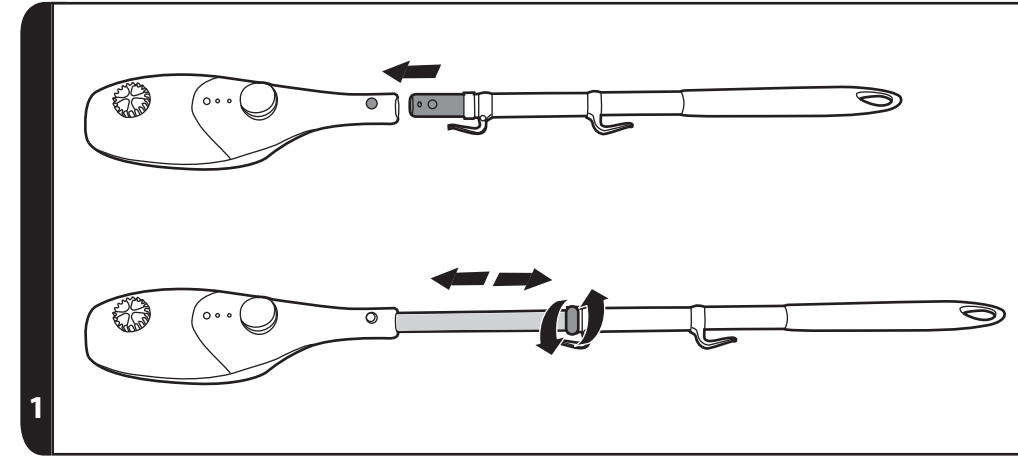


USER MANUAL



PRINTED IN P.R.C.
48010877





INSTRUCTIONS FOR SAFE USE

This appliance should only be used for domestic cleaning, as described in this user guide. Please ensure that this guide is fully understood before operating the appliance.

Do not leave the appliance plugged in. Always switch off and remove the plug from the socket after use, or before cleaning the appliance or any maintenance task.

This appliance can be used by persons with reduced physical, sensory or mental capabilities or lack of experience and knowledge if they have been given supervision or instruction concerning use of the appliance in a safe way and understand the hazards involved. Children shall not play with the appliance.

Keep the appliance out of reach of children when it is energized or cooling down.

The appliance is not to be used if it has been dropped, if there are visible signs of damage or if it is leaking.

If the power cord is damaged stop using the appliance immediately. To avoid a safety hazard, an authorised Hoover service engineer must replace the power cord.

This appliance must be earthed.

The appliance shall not be left unattended while it is connected to the supply mains.

Do not use your appliance out of doors.

Use only attachments, consumables or spares recommended or supplied by Hoover.

Do not use the appliance to clean or direct steam towards animals, people or plants.

Liquid or steam must not be directed towards equipment containing electrical components, such as the interior of ovens.

Unplug the cleaner and switch off before filling the water container. Do not fill over the MAX mark. The filling aperture must not be opened during use.



Danger of Scalding.



Surfaces are liable to get very hot during use. Avoid contact with steam.

Do not stand on or wrap the cord around arms or legs when using your appliance.

Do not position the appliance above you when cleaning the stairs.

When using the cleaning tools ensure to always steady the appliance with your other hand. This will ensure that the appliance does not fall while in use.

Do not handle the plug or appliance with wet hands.

Do not run over the power cord when using your appliance or remove the plug by pulling on the power cord.

Do not continue to use your appliance if it appears faulty.

Hoover service: To ensure the continued safe and efficient operation of this appliance we recommend that any servicing or repairs are only carried out by an authorised Hoover service engineer.

Do not immerse the appliance in water or other liquids.

Do not use detergents or liquids other than water inside the appliance.

For UK and Ireland only: This appliance has a 13 Amp mains plug. If you need to change the fuse in the mains plug, use a 13Amp ASTA (BS1362) fuse.

The Environment

The symbol on this appliance indicates that this appliance may not be treated as household waste. Instead it must be handed over to the applicable collection point for the recycling of electrical and electronic equipment. Disposal must be carried out in accordance with local environmental regulations for waste disposal. For more detailed information about treatment, recovery and recycling of this appliance, please contact your local city office, your household and waste disposal service or the shop where you purchased the appliance.



CE This appliance complies with the European Directives 2006/95/EC, 2004/108/EC and 2011/65/EU.

HOOVER Limited, Pentrebach, Merthyr Tydfil, Mid Glamorgan, CF48 4TU, UK

GETTING TO KNOW YOUR CLEANER

- A. Handle
- B. Hook Upper
- C. Hook Lower
- D. Handle Release Button
- E. Steam Control Dial
- F. Power Light
- G. Steam Ready Light
- H. Water Tank Cap
- I. Mop Head Release Button
- J. Mop Head
- K. Water Tank
- L. Cleaner Main Body
- M. Lock(Adjust the length of Extension Pole)
- N. Extension Pole
- O. Extension Hose
- P. Jet Nozzle
- Q. Brass Bristle Brush
- R. Nylon Bristle Brush
- S. Soft Bristle Brush
- T. Utility Head & Window Squeegee
- U. Small Cloth
- V. Micro-fiber Mop Pad
- W. Carpet Glider
- X. De-scaling Tool
- Y. Measuring Jug

ASSEMBLING YOUR CLEANER

Remove all components from the packaging.

EXTENSION POLE [1]

1. Press the knob on the bottom of the extension pole and push the pole into the cleaner main body ensuring the knob is in the hole.
2. To adjust the length of the extension pole, rotate anti-clockwise the section of the pole with the handle, move to required position and then turn clockwise to lock.

MOP HEAD [2]

1. Align Mop Head with main unit as shown, so that neck is in line with Steam Nozzle.
2. Slide Mop Head neck into the cleaner main body , until release button snaps through hole.
3. To remove Mop Head, press firmly on release button while simultaneously pulling Mop Head.

MICRO-FIBER MOP PAD [3]

1. Attach the Mop Pad to the Mop Head using the velcro side.

CARPET GLIDER [3]

1. To attach carpet glider, place glider on floor align mop head and push downwards, remember to attach the Mop Pad before installing the Carpet Glider.

JET NOZZLE [4]

1. Align Jet Nozzle with Steam Nozzle as shown.
2. Slide Jet Nozzle into Steam Nozzle, until release button snaps through hole.
3. To remove Jet Nozzle, press firmly on release button while simultaneously pulling Jet Nozzle away from Steam Nozzle.

UTILITY HEAD AND SMALL CLOTH [5]

1. Align Utility Head with Steam Nozzle as shown.
2. Slide Utility Head into Steam Nozzle, pushing firmly until attached.
3. Stretch Small Cloth over Utility Head as shown.
4. Connect Utility Head to Steam Nozzle as usual after covering the Small Cloth.
5. To remove Utility Head, simply grasp it and pull it away from Steam Nozzle.

WINDOW SQUEEGEE [6]

1. Note tabs on window squeegee, which fit into slots on top of Utility Head.
2. Insert front squeegee tab into front utility head slot .
3. Tilt squeegee back as shown and press firmly until rear tab fits into rear Utility Head slot. Squeegee should snap securely into place.

NOTE: While using as handheld steam cleaner, it is more convenient if used with the Extension Hose. Please refer to the further detail. [13]

UTILITY BRUSH: NYLON, BRASS AND SOFT BRISTLE BRUSHES [7]

Align Utility Brush with tip of Jet Nozzle as shown, and press it firmly on as far as it will go. Rotate Utility Brush as shown and screw it onto Jet Nozzle – continue until it is secured tightly in place.

USING YOUR CLEANER

BEFORE YOU BEGIN CLEANING

IMPORTANT: Always unplug the cleaner when adding water or changing a textile pad.
NOTE: Wash the textile pad prior to use to remove any lint.

FILLING WATER TANK [8]

1. Make sure Steam Control Dial is set to “OFF” position.
2. Rotate Water Tank Cap one quarter turn in “Unlock” direction (anti-clockwise) indicated by illustration on Cap, and remove.

- Carefully fill Measuring Cup with maximum amount of water 450 ml and pour into Water Tank through the fill hole.

DO NOT Exceed the “MAX” water line on the water tank.

NOTE: In order to significantly reduce mineral build-up and prolong the life of your steam mop the use of distilled or de-mineralized water in the unit is highly recommended.

- Replace Water Tank Cap so that thread grooves on the bottom of Cap align with tabs inside fill hole. Press Water Tank Cap down so that it sits flush with top of fill hole. Rotate one quarter turn in clockwise direction (as indicated by “Lock” illustration on Cap) to lock it in place.

NOTE: The tube which transfers water from the Water Tank to the boiler is weighted down with a brass ball. This is an intentional design to improve efficiency of water usage. It is normal for this ball to create a rattling sound inside of Water Tank during use.

GENERAL OPERATION

NOTE: Be sure that the Water Tank has been filled and all desired accessories are connected before following these steps.

- Plug power cord into a convenient electrical outlet (a properly rated extension cord may be used if necessary).
- Turn Steam Control Dial clockwise from “OFF” to “MAX”, Power light will illuminate in red.[9]

NOTE: The desired steam intensity setting depends on the current steaming task.

- After approximately 30 seconds, the indicator light in blue color will be illuminate & you will hear a buzzing sound as unit begins to emit steam.
- Direct Steam Nozzle (with any connected accessories) towards surface you wish to steam.

CAUTION: Always be sure that Steam Nozzle and any accessories are pointed in a safe direction (away from yourself, other people, pets and plants) when steam is being emitted.

METHODS OF USE FOR STEAM MOP

Please inspect carefully if the Extension Pole, Mop Head and Micro-fiber Mop Pad are assembled correctly.

- Use a steady back-and-forth motion over the floor, pushing Mop away and pulling it back towards you. Work your way backwards over the floor, in order to avoid walking over the freshly mopped area.
- The Mop Pad will absorb dirt and moisture during mopping. However, depending on floor surface and steam intensity setting some residual moisture may be left behind. In this case, it is recommended to allow floor time to air-dry. A fan may be directed towards mopped area to facilitate faster drying.

NOTE: To avoid warping or damage caused by heat and moisture, the steam mop should only be used on properly sealed floor surfaces. Always test on a small area of your flooring prior to overall use on every floor surface.

METHODS OF USE FOR STEAM CLEANER

- Make sure desired cleaning accessories (Jet Nozzle, Utility Brush, and Utility Head with window squeegee) are properly connected.
- For general cleaning convenience, Extension Pole should be removed so that unit functions as a handheld steam cleaner. However, Extension Pole may be attached for cleaning hard-to-reach spots, such as floor grout or ceilings. **BE CAREFUL TO SUPPORT EXTENSION POLE WITH TWO HANDS WHEN LIFTING.**
- Follow General operating instructions to begin steaming.
- Selecting Steam Settings guidelines to choose the steam intensity setting appropriate for the surface you are cleaning.
- Direct Jet Nozzle towards surface you wish to steam. Use a slight back-and-forth motion over area to enhance the cleaning process. To sanitize surfaces, set Steam Control Dial to HIGH and hold Jet Nozzle approximately 1CM from surface for at least 5 seconds. This will most effectively kill germs and bacteria.
- When using Window Squeegee, start by thoroughly steaming entire window or mirror, then turn steam off. Next, press Window Squeegee to top of window or mirror, and pull slowly downward. Move slowly from one side of the surface to the other in this fashion until entire surface is clean.
- Wipe steamed areas with a clean cloth to remove loosened dirt and grime. Wiping the area while it is still wet is recommended, but use caution when wiping surfaces such as metal that may still be hot.

JET NOZZLE [10]

- Can concentrate the steam to remove spot stain from cloth.
- If you need to remove dirty spots from cloth, please turn the Steam Control Dial to high and forward the nozzle to the spot from the distance of 1CM.

UTILITY BRUSHES [11]

Utility Brushes are to be installed on the jet nozzle.

WINDOW SQUEEGEE AND UTILITY HEAD [12]

The Window squeegee is to be installed on the Utility Head before installing on the Steam nozzle of main body and is used for cleaning windows, mirrors and other smooth glass surfaces.

The Utility Head with Small Cloth is to be used for removing wrinkles from different fabrics. Choose the steam intensity setting appropriate for the fabric you are steaming.

EXTENSION HOSE [13]

You can install either the Jet Nozzle or Utility Head on the Extension Hose and install the Extension Hose on the Steam nozzle of main body for extensive reach and lighter weight while using as handheld steam cleaner.

CLEANER MAINTENANCE

IMPORTANT: Always ensure the cleaner has fully cooled down before performing any maintenance tasks.

Empty the water tank

1. Unplug the cleaner from the main power and ensure the unit has cooled.
2. Remove the water tank cap, pull off directly.
3. Empty any excess water from the tank. Replace the water tank cap.

Removing and cleaning the textile pad

1. Unplug the cleaner from the main power and ensure the unit has cooled.
2. If necessary remove the carpet glider, then peel the textile pad from the floor base.
3. Wash the textile pad in a washing machine with a mild detergent at max temperature 40°C.

IMPORTANT: Do not use bleach or fabric softener when washing the textile pad.

Storage of appliance

Store the appliance in a dry area.

NOTE: This appliance will not stand alone with the Carpet Glider fitted, please ensure removal before storage.

Cleaning the blockage

1. Turn off the appliance and remove from electrical supply.
Wait for appliance to fully cool down before continuing any maintenance. [14]
2. Ensure the water tank is empty.
3. Detach floor nozzle from cleaner body.
4. Insert supplied de-scaling tool into steam outlet to clear any blockages. [15]
5. Re-assemble floor nozzle to the appliance body.

TROUBLESHOOTING

Should you have a problem with the product, complete this simple user checklist before calling your local Hoover service.

The steam stick will not switch on.

- Check the unit is plugged in.
- Check the power cord

The steam stick is not producing steam.

- There may be no water in the clean water tank.
- You may not wait for enough time (30 seconds) when switch on.
- You may not turn steam control dial from "OFF" to a desired steam rate position.

The textile pad won't pick up dirt.

- The cleaning pad may already be saturated with dirt and needs to be washed. Refer to the Maintenance section.

CLEANING FAQS

PROBLEM	POSSIBLE CAUSE	SOLUTION
Unit fails to heat up. Power Indicator Light does not illuminate	Unit is not plugged in.	Plug electrical cord into outlet
	Household circuit breaker / ground fault interrupter has tripped or blown a fuse.	Reset circuit breaker / ground fault Interrupter, or replace fuse. If you need assistance, contact a licensed Electrician.
Unit heats up, but fails to steam. Power Indicator Light does illuminate. NOTE: Always allow proper time for unit to heat up and begin producing steam.)	Water Tank is empty.	Refill Water Tank
	Mineral build-up in unit.	Refer to Cleaning the blockage section of this manual for removal procedure.
Steam output is weak or intermittent.	Weighted brass ball connected to end of water tube inside Water Tank may have come loose.	If brass ball has become disconnected from tube, simply reattach it by snapping it back onto black nozzle at end of tube.
	Steam Control Dial is set to LOW.	Increasing the setting of the Steam Control Dial to MAX will result in a stronger (and wetter) flow of steam.
Unit is emitting water in the steam flow.	Mineral build-up in unit.	Refer to Cleaning the blockage section of this manual for removal procedure.
	Steam Control Dial is set to MAX.	At the MAX setting, small amounts of water may be released along with the steam. Decreasing the setting of the Steam Control Dial to LOW will reduce this water spotting.
Rattling sound is heard coming from Water Tank.	Sound is being caused by weighted brass ball connected to end of water tube inside Tank.	The weighted brass ball is an intentional design that helps the unit more efficiently utilize all water inside of Tank. If brass ball has become disconnected from tube, simply reattach it by snapping it back onto black nozzle at end of tube.

IMPORTANT INFORMATION

Hoover spares and Consumables

Always replace parts with genuine Hoover spares. These are available from your local Hoover dealer or direct from Hoover. When ordering parts always quote your model number.

Consumables

Small Cloth	AC30	35601414
Micro-fiber Mop Pad	AC29	35601413
Extension Hose	D147	35601412

Hoover Service

Should you require service at any time, please contact your local Hoover Service Office.

Tel: 08444 995 599

Email: customer.services@hoovercandy.com

Quality

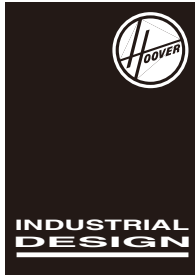
Hoover's factories have been independently assessed for quality. Our products are made using a quality system which meets the requirements of ISO 9001.

Your Guarantee

The guarantee conditions for this appliance are as defined by our representative in the country in which it is sold. Details regarding these conditions can be obtained from the dealer from whom the appliance was purchased. The bill of sale or receipt must be produced when making any claim under the terms of this guarantee.

Subject to change without notice.

HOOVER



Artwork Number:

Issue:

Title:

user manual & manual label

Created:

Date:

Cris

2014/01/20

Modified:

Date:

Cris

2014/01/20

Engineering Approved:

Date:

Hoover Ltd.
Industrial Design Department
5th Floor, 288 Dongping Street,
Suzhou Industrial Park, Suzhou,
PRC 215123
Tel: 0512-82181000 Ext 266

Note:
Artwork not to be used
unless approved by
Engineering.



MANUAL LABEL

Printing colour :

Size : 75x50mm 黑 (black)

Material: Adhesiver sticker (不覆膜不干胶)

Background Colour: White (白色底)

USER MANUAL

Printing colour : 黑 (black)

Size : 297x210mm

Material: 1.cover= 铜版纸 coated paper(120g)

2.inside pages= 双胶纸 offset paper(80g)