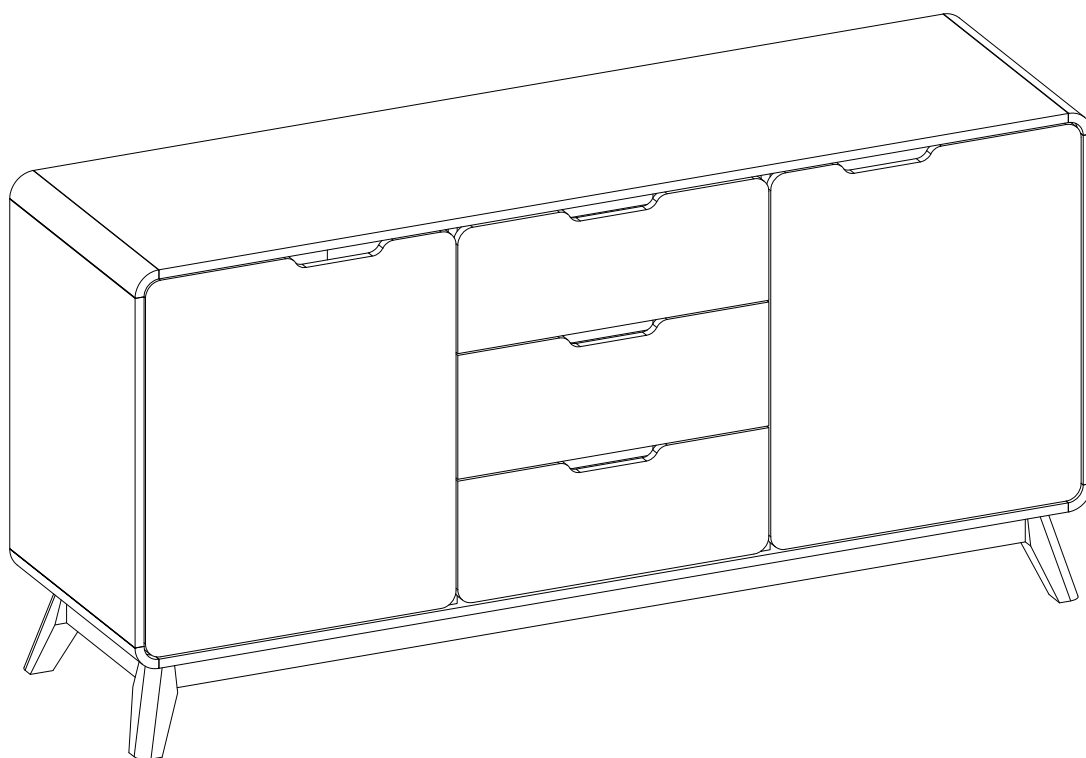


# Holstebro - Sideboard

Assembly Instruction - Please keep for future reference

226/8314



## Dimensions

Length - 160cm

Width - 45cm

Height - 80cm

**Important - Please read these instruction fully before starting assembly**

If you need help or have damaged or missing parts, call the **Customer Helpline: 0845 640 0800**



# Safety and Care Advice

**Important - Please read these instructions fully before starting assembly**

- Check you have all the components and tools listed on pages 2 and 3.

- Remove all fittings from the plastic bags and separate them into their groups.

- Keep children and animals away from the work area, small parts could choke if swallowed.

- Make sure you have enough space to layout the parts before starting.

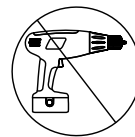
- Retain these instructions for future reference

- Do not stand or put weight on the product during assembly, this could cause damage.

- Assemble the item as close to its final position (in the same room) as possible.

- Assemble on a soft level surface to avoid damaging the unit or your floor.

- Parts of the assembly will be easier with 2 people.



- We do not recommend the use of power drill/drivers **for inserting screws**, as this could damage the unit. Only use hand screwdrivers.

- Dispose of all packaging carefully and responsibly.

- Do not use this item if any components are missing or damaged

## Care and maintenance

- Only clean using a damp cloth and mild detergent, do not use bleach or abrasive cleaners.

- From time to time check that there are no loose screws on this unit.

- This product should not be discarded with household waste. Take to your local authority waste disposal centre.

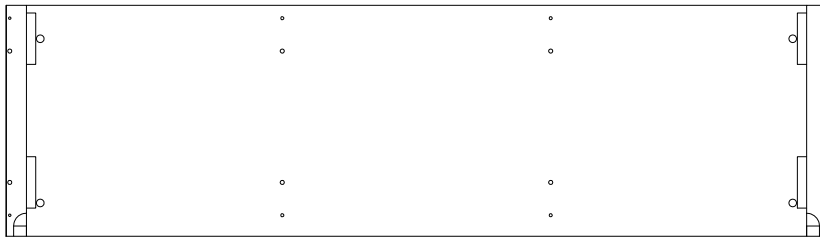
**Note:** if required the next page can be cut out and used as reference throughout the assembly. Keep this page with these instructions for future reference.

# Components - Panels

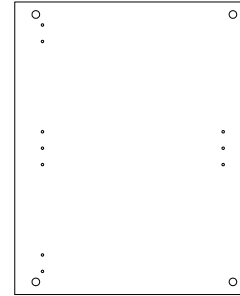
Please check you have all the panels listed below



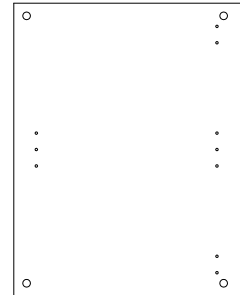
1 Top panel(160x45cm)



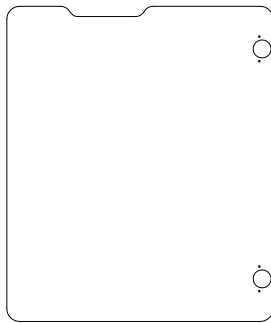
2 Bottom panel 160x45cm)



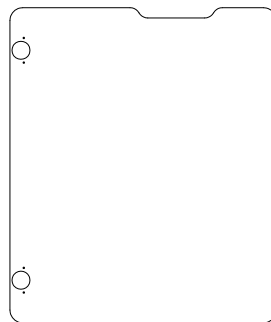
3 Left side panel (57x45cm)



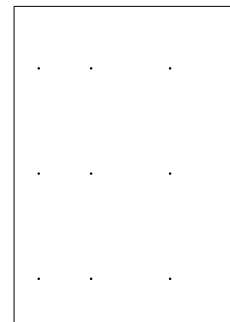
4 Right side panel (57x45cm)



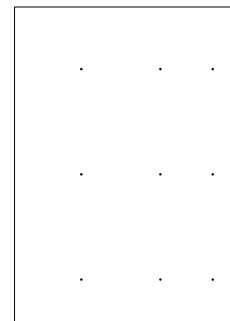
7 left door (61.4x51.9cm)



8 Right door (61.4x51.9cm)



5 Left divider(57x43.4cm)



6 Right divider(57x43.4cm)



9 Big support leg (16x14.8cm)

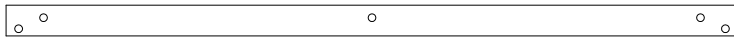


10 Small support leg (8x14.8cm)

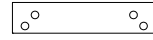


# Components - Panels

Please check you have all the panels listed below



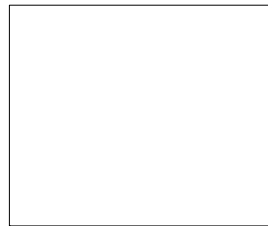
**11** long rail x2  
(142.6x6cm)



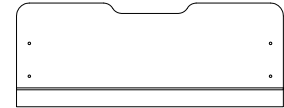
**12** Short rail x2  
(28x6cm)



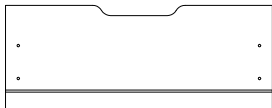
**13** Leg x4  
(7.5x7.5cm)



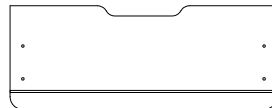
**14** Shelf (43x51.4cm) x2



**15** Upper drawer front  
(52x20.2cm)



**16** Middle drawer front  
(52x20.2cm)



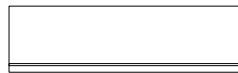
**17** Lower drawer front  
(52x20.2cm)



**18** Right drawer side x3  
(35x13cm)



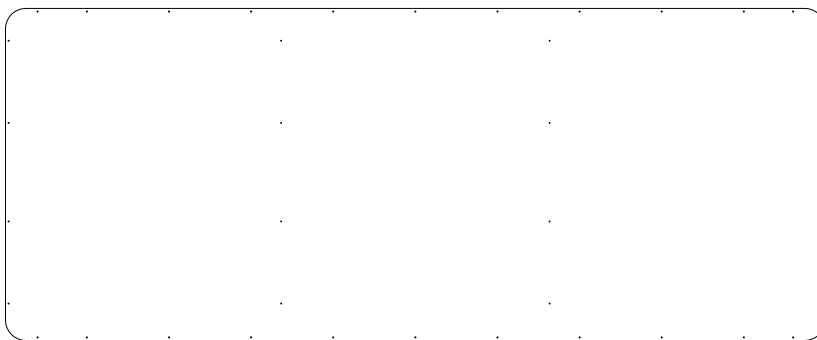
**19** Left drawer side x3  
(35x13cm)



**20** Drawer back x3  
(45.8x12.9cm)



**21** Drawer bottom x3  
(46.9x34.6cm)



**22** Back panel  
(159.7x64.7cm)











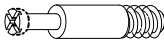


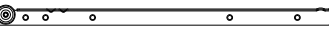

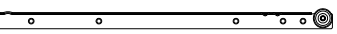


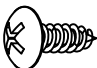







# Components - Fittings

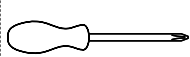
If you have damaged or missing components, call the **Customer Helpline: 0845 6400800**

Please check you have all the fittings listed below

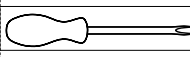
**Note:** The quantities below are the correct amount to complete the assembly. In some cases more fittings may be supplied than are required.

|  |   |   |
|--|---|---|
| <b>A</b> <br>Ø7x33mm Connecting bolt x 33 | <b>B</b> <br>Ø15x11.5mm Locking cam x 33                     | <b>C</b> <br>Ø16x3mm Cap x 24          |
| <b>D</b> <br>Ø8x30mm Wooden dowel x 32    | <b>E</b> <br>Ø5x38mm Screw x 17                              | <b>F</b> <br>Nail x 36                 |
| <b>G</b> <br>Ø5x38mm Screw x 4            | <b>H</b> <br>Pad x 10  | <b>I</b> <br>Ø20mm Felt feet x 7       |
| <b>J</b>  Black<br>Ø3.5x12mm Screw x 42   | <b>K</b> <br>Ø6.5x33mm Connecting bolt x 12                  | <b>L</b> <br>Ø15x10mm Locking cam x 12 |
| <b>M</b> <br>350mm Runner LT/M x 3       | <b>N</b> <br>350mm Runner LT/M x 3                          | <b>O</b> <br>350mm Runner RT/F x 3    |
| <b>P</b> <br>350mm Runner RT/M x 3      | <b>Q</b> <br>Ø6x29mm<br>Wall plug(for solid wall only) x 2 | <b>R</b> <br>Wall strap x 2          |
| <b>S</b> <br>Ø4x16mm x 2                | <b>T</b> <br>Ø4x28mm Screw x 2                             | <b>U</b> <br>Shelf pin x 8           |
| <b>V</b> <br>Ø3.5x12mm Screw x 8        | <b>W</b> <br>Hinge base x 4                                | <b>X</b> <br>Hinge x 4               |

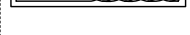
## Tools required



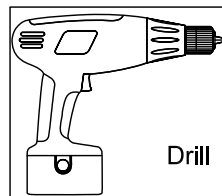
Phillips screwdriver  
(medium & large)



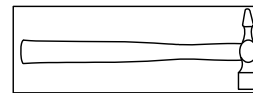
Flatblade screwdriver  
(medium)



8mm Suitable drill bit  
(for use with wall plug)



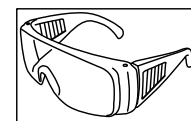
Drill



Small  
hammer

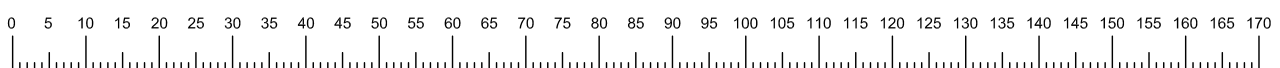


Ruler/tape  
measure



Eye protection  
(when using a  
hammer )

## Ruler - Use this ruler to help correctly identify the screws



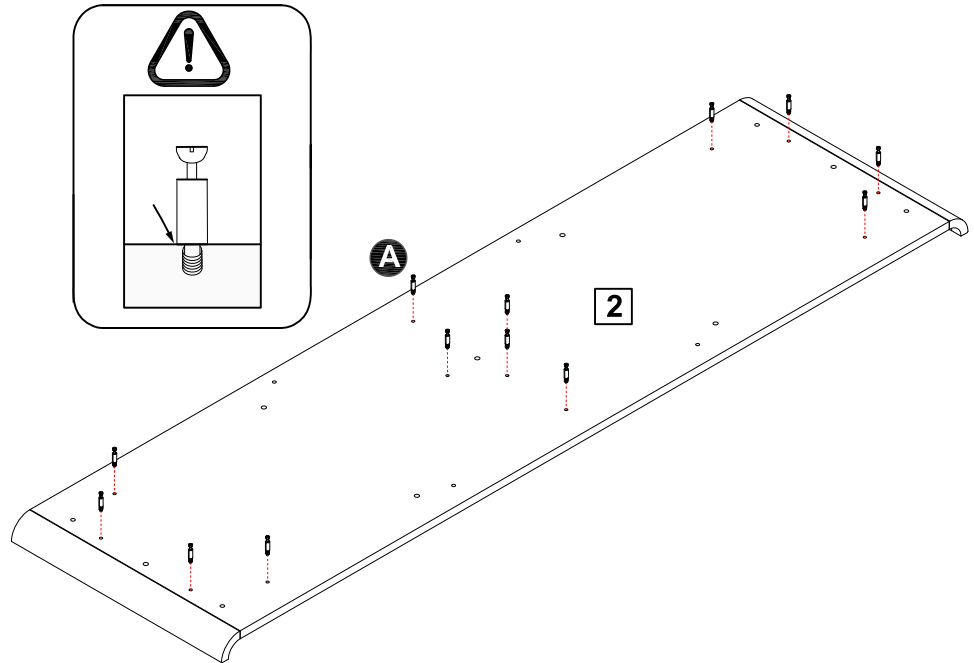
# Assembly Instructions

## Step 1

### Fixing bolts

Fix connecting bolts **A** onto the bottom panel **2** as shown.

**Note:** Insert bolt as far as shown. Do not over tighten.



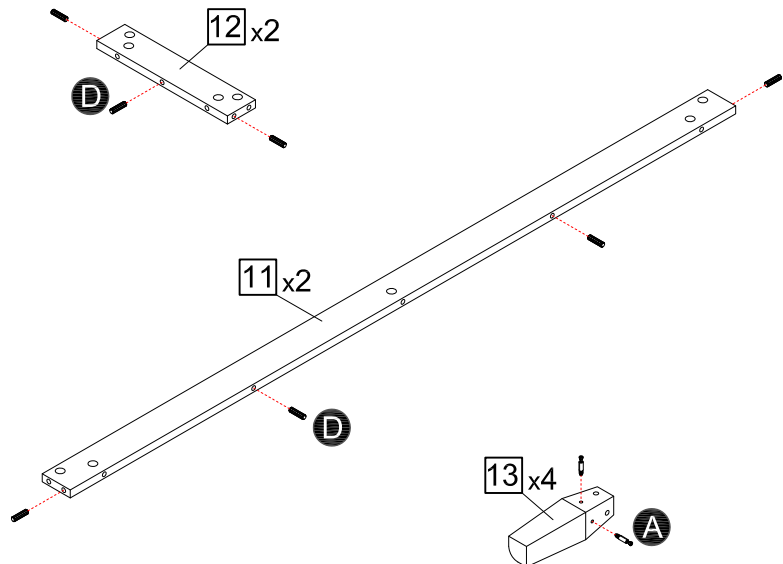
## Step 2

### Fixing fittings

**a:** Insert wooden dowels **D** into bottom rail **11** & **12**.

**b:** Fit connecting bolt **A** onto legs **13**.

**Note:** Insert bolt as far as shown. Do not over tighten.



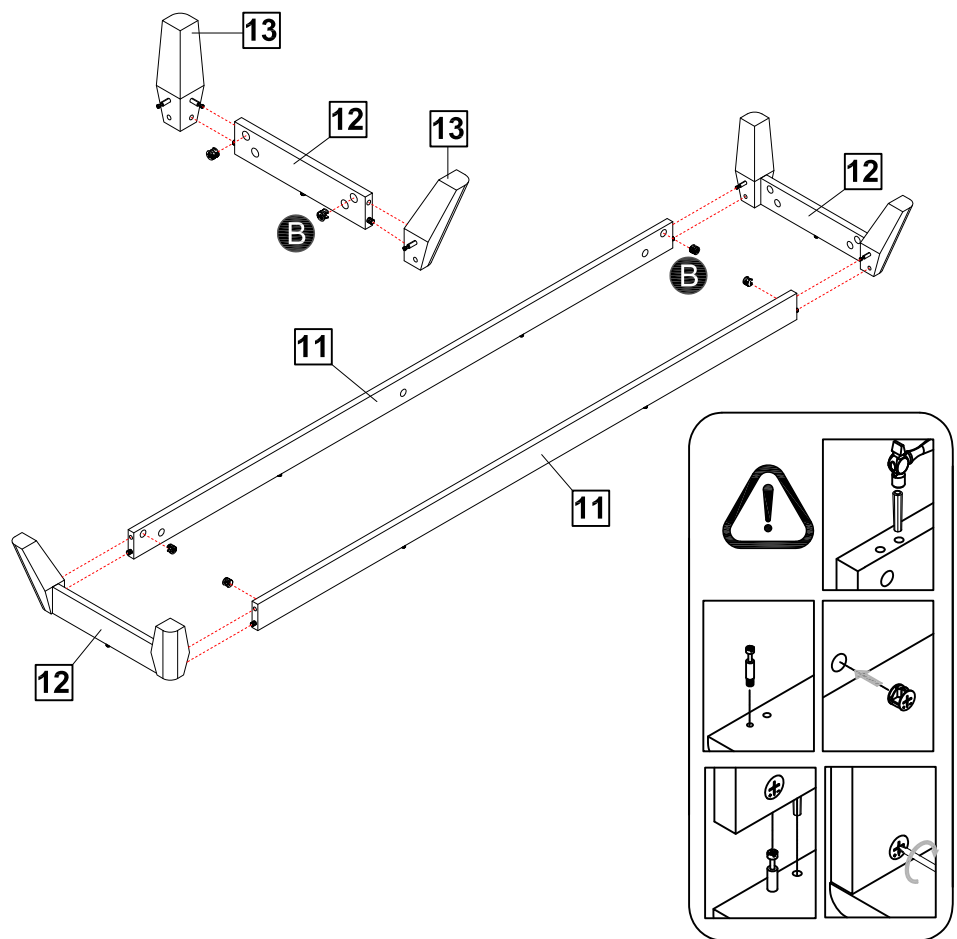
# Assembly Instructions

## Step 3

### Attaching panels

**a:** Attach leg **13** onto short rail **12**. Insert locking cams into short rail **12**, use screw driver to turn locking cams **B** clockwise to lock.

**b:** Attach long rail **11** onto leg **13**. Insert locking cams into long rail **11**. Use screw driver to turn locking cams **B** clockwise to lock.



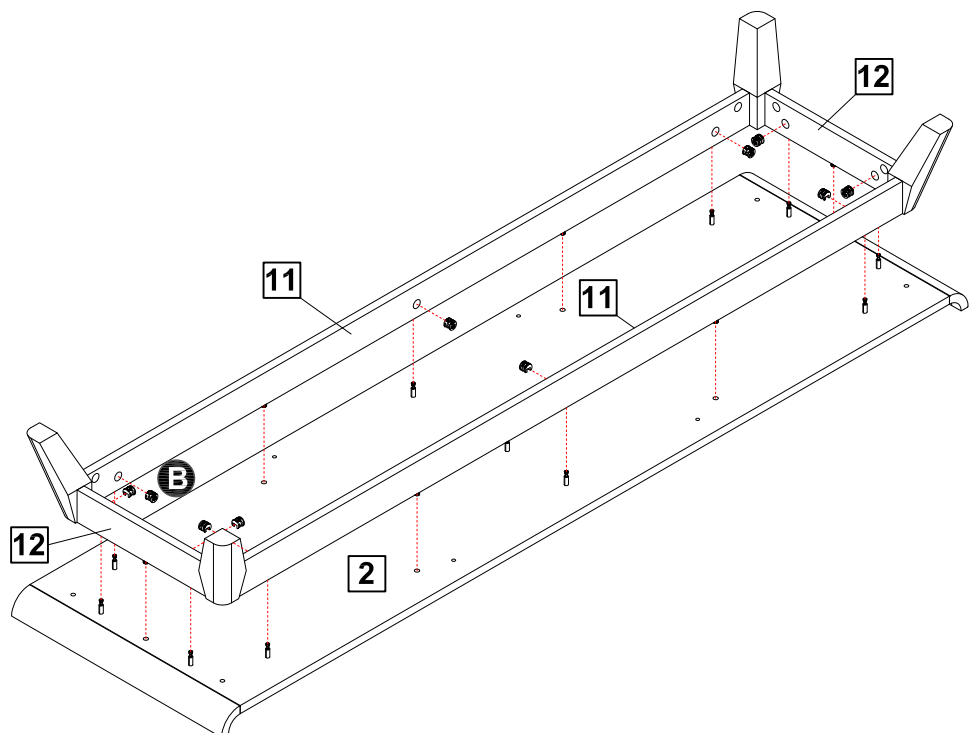
## Step 4

### Attaching panels

Attach rails **11** & **12** onto bottom panel **2**.

Insert locking cams **B** into rails **11** & **12**.

Use screw driver to turn locking cams **B** clockwise to lock.



# Assembly Instructions

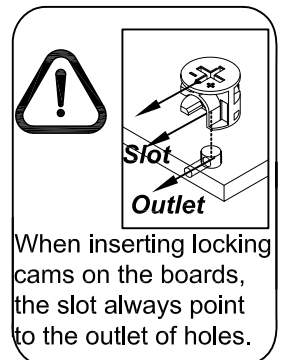
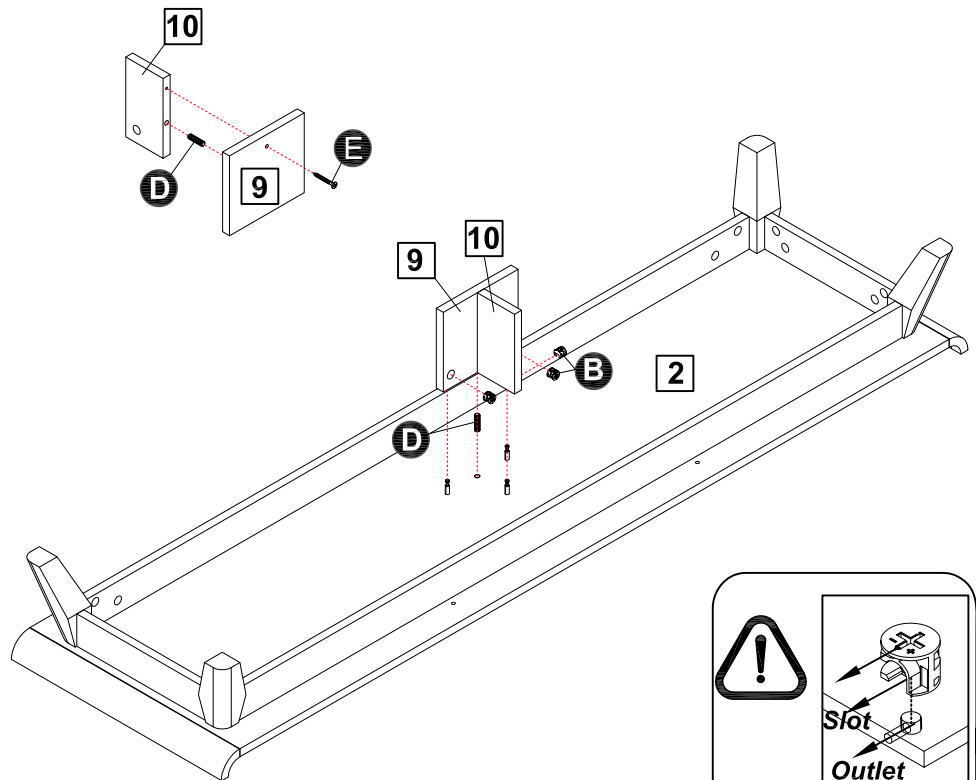
## Step 5

### Attaching support legs

a: Attach small support leg **10** to leg **9** with wooden dowel **D** and screw **E**.

b: Attach leg **9** & **10** onto bottom panel **2** with wooden dowel **D**.

c: Insert locking cams **B** into leg **9** & **10**. Use screw driver to turn locking cams **B** clockwise to lock.



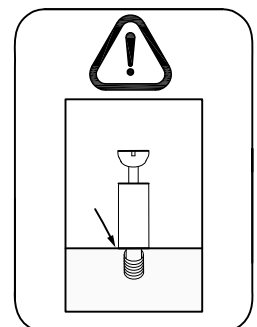
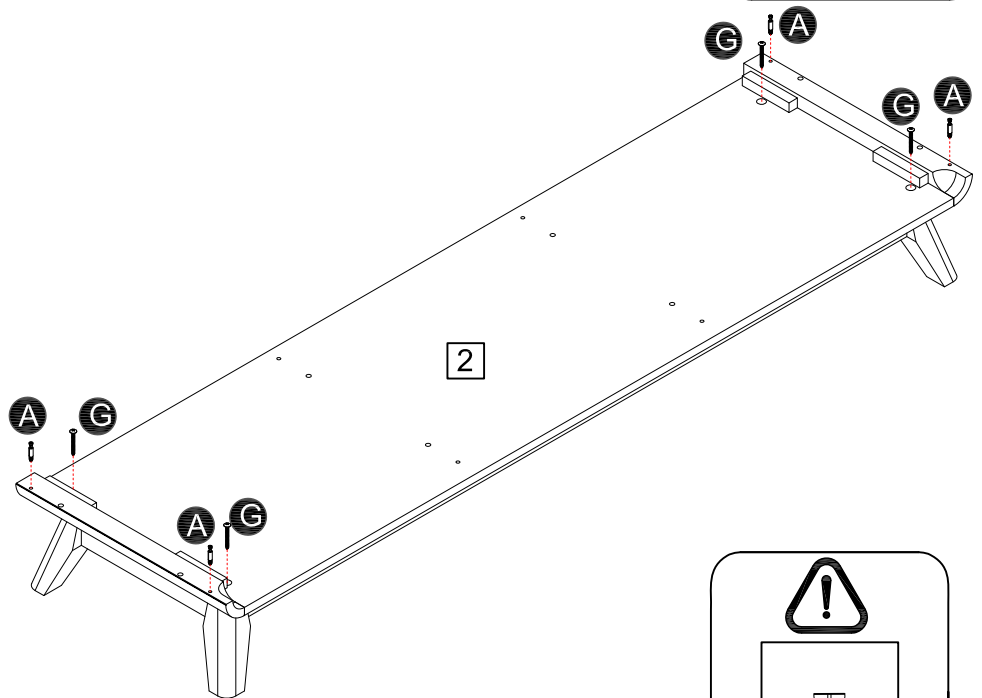
## Step 6

### Fixing fittings

a: Fix screws **G** through bottom panel **2** to leg assembly. Tighten with screw driver.

b: Fix connecting bolts **A** onto bottom panel **2** as shown.

**Note:** Insert bolt as far as shown. Do not over tighten.





# Assembly Instructions

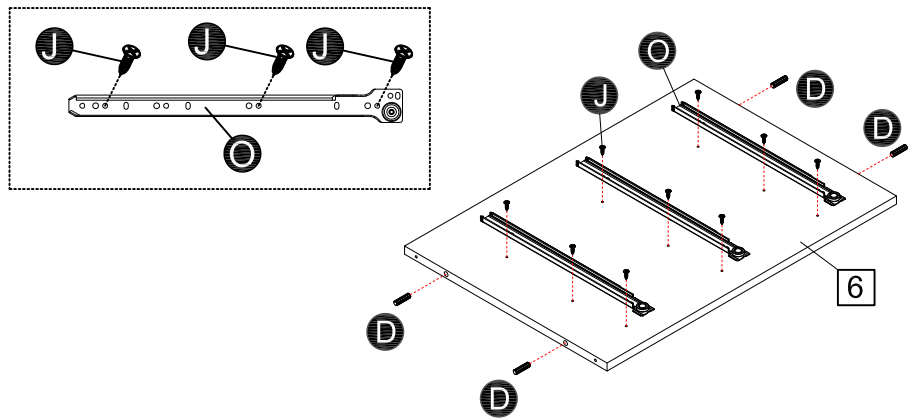
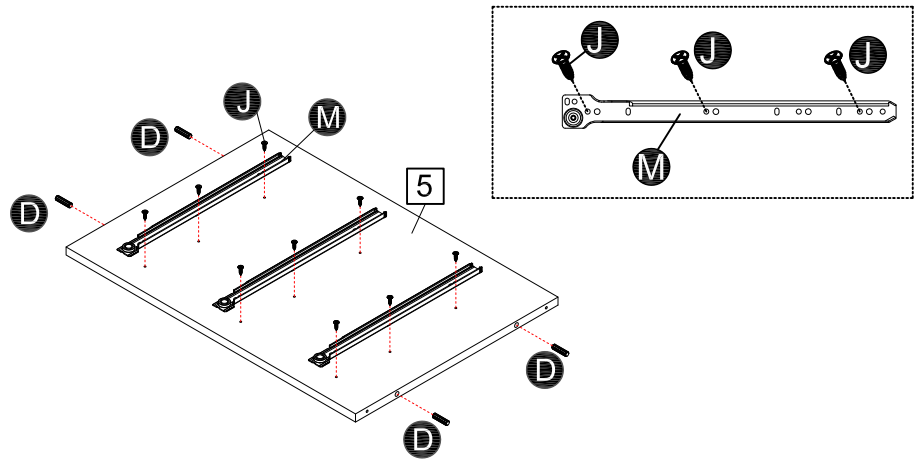
## Step 7

### Fixing fittings

a: Insert wooden dowels as shown.

b: Fix runner LT/F **M** with screws **J** on left divider **5**.

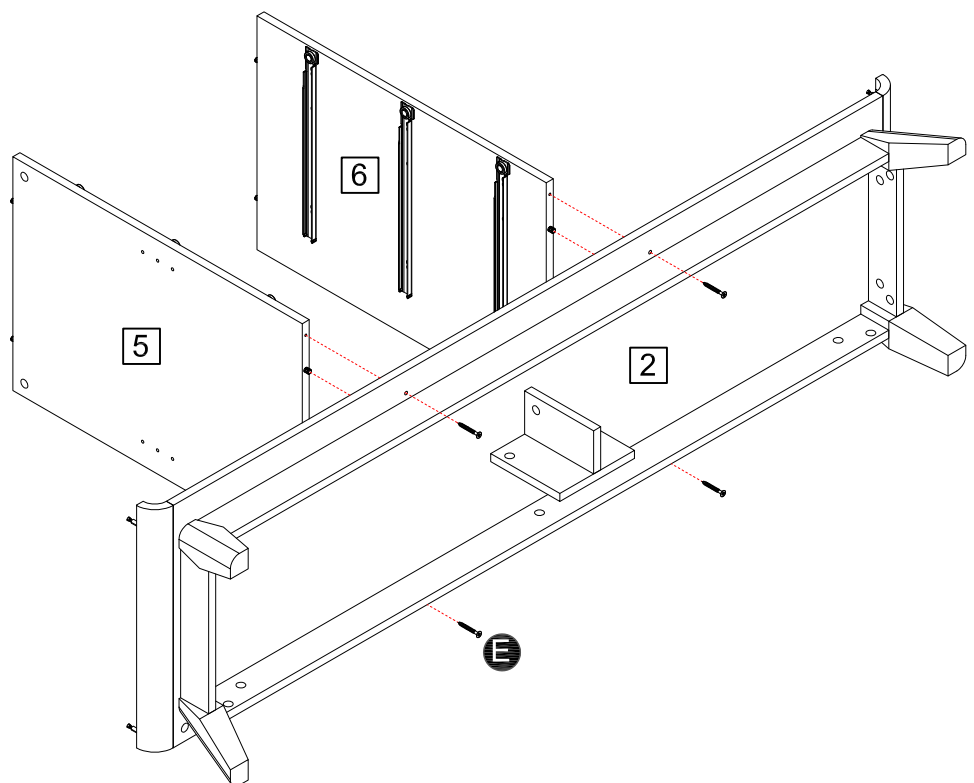
c: Fix runner RT/F **O** with screws **J** on right divider **6**.



## Step 8

### Attaching panels

Attach divider panels **5** & **6** onto bottom panel **2** with screws **E**.



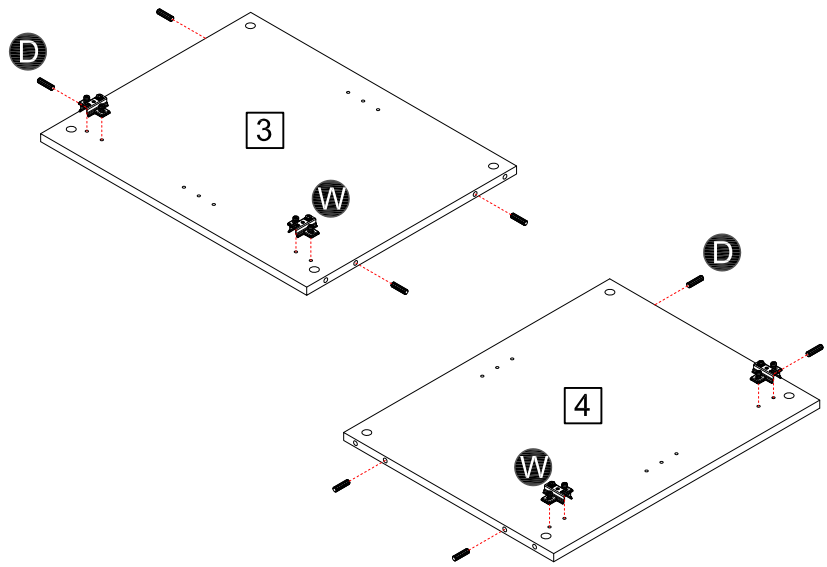
# Assembly Instructions

## Step 9

### Fixing fittings

a: Insert wooden dowels **D** into side panel **3** & **4**.

b: Fix hinge base **W** as shown. The slot should point outward.

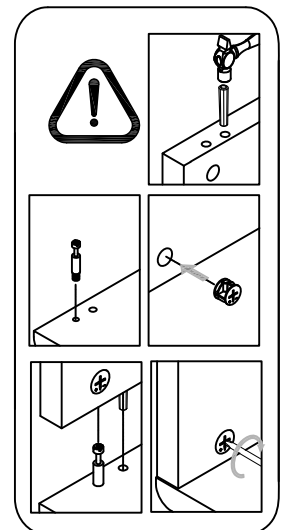
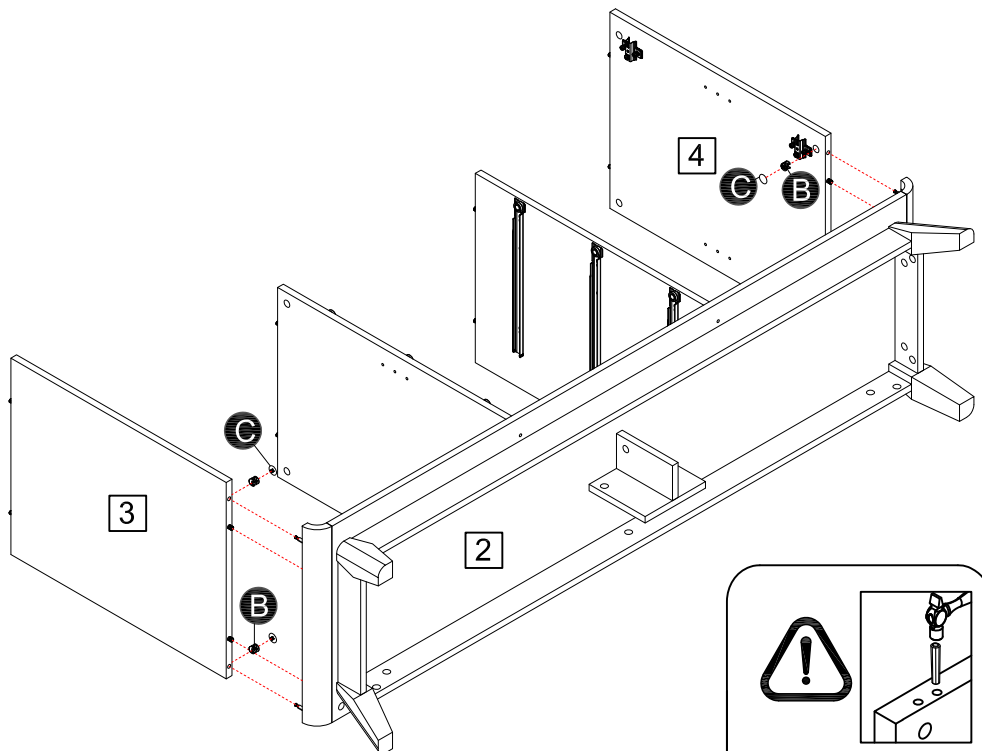


## Step 10

### Attaching panels

Attach bottom panel **2** onto left side panel **3** & right side panel **4**. Insert locking cams **B** into side panel **3** & **4**. Use screw driver to turn locking cams **B** clockwise to lock.

Use caps **C** to cover cams **B**.



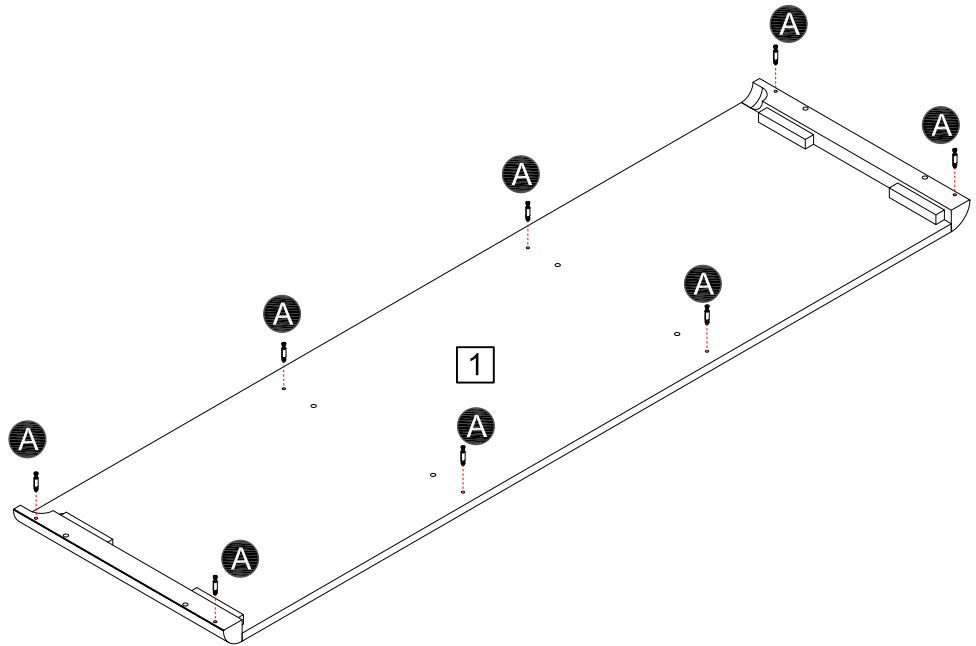
# Assembly Instructions

## Step 11

### Fixing bolts

Fix connecting bolts **A** onto top panel **1** as shown.

**Note:** Insert bolts as far as shown. Do not over tighten.



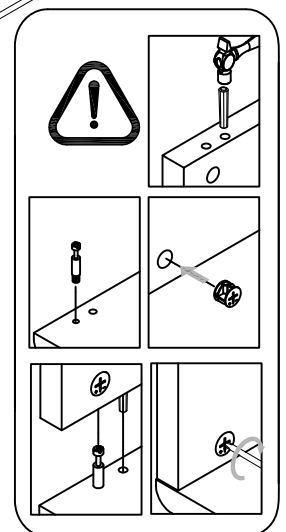
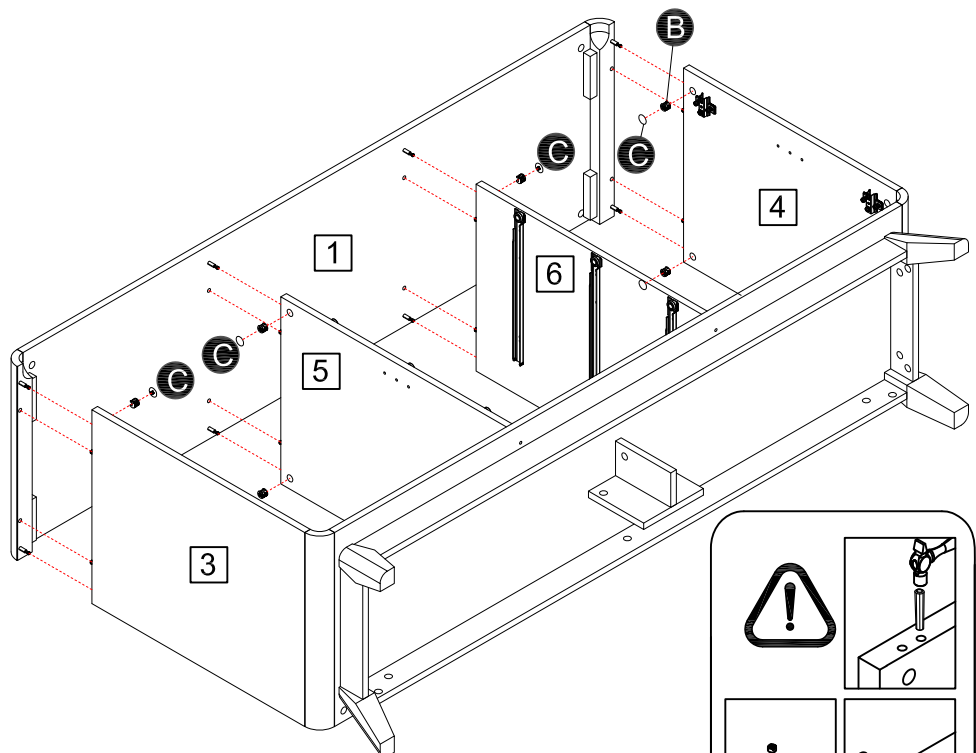
## Step 12

### Attaching panels

Two people are needed for this assembly.

a: Position top panel **1** onto side panels **3** & **4** and divider panel **5** & **6**.

b: Insert locking cams **B** into panel **3**, **4**, **5** & **6**. Use screw driver to turn locking cams **B** clockwise to lock. Use caps **C** to cover cams **B**.



# Assembly Instructions

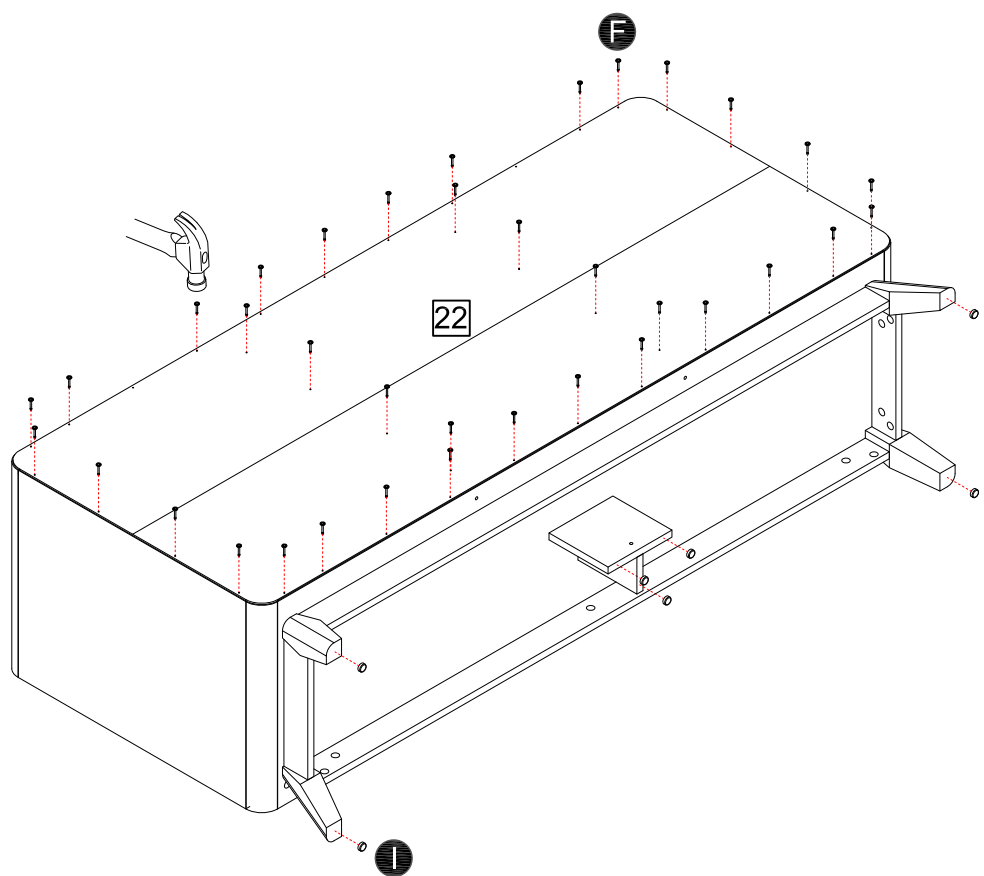
## Step 13

### Attaching panel

Two people are needed for this assembly.

**a:** Carefully turn over the frame as shown. Attach back panel **22** onto the the back of cabinet frame with nail **F** .

**b:** Paste felt feet **I** on the bottom of legs as shown.



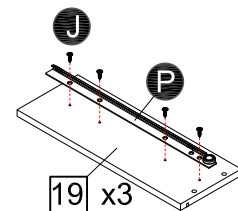
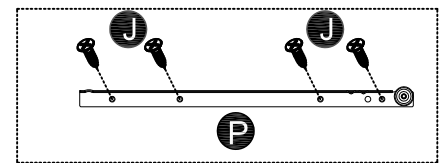
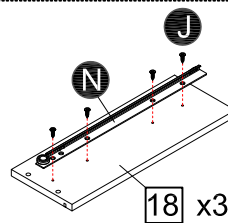
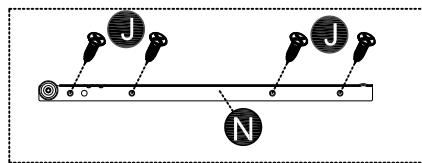
# Assembly Instructions

## Step 14

### Assemble drawers

a: Fix runners  
LT/M **N** on drawer  
left side **18** with  
screws **J**.

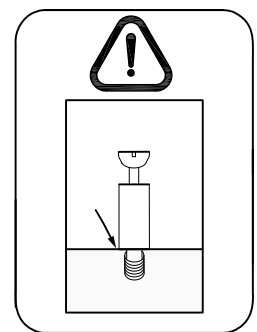
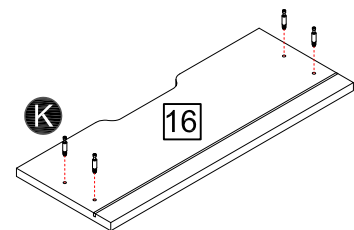
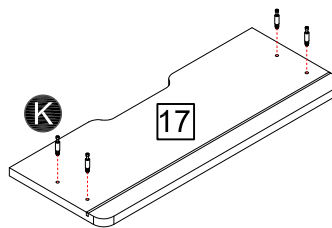
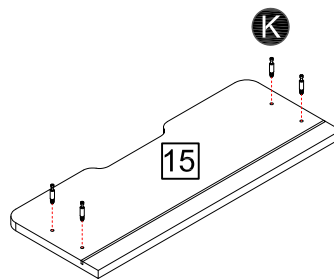
**Note:** Follow hole  
positions as shown.



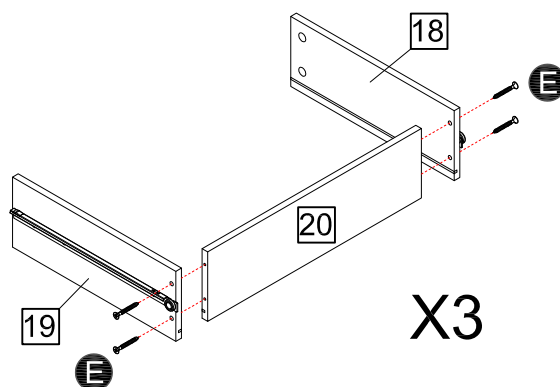
b: Fix runners  
RT/M **P** on drawer  
right side **19** with  
screws **J**.

c: Fit short  
connecting bolts **K**  
into drawer  
front **15**, **16** & **17**.

**Note:** Insert bolt  
as far as shown.  
Do not over tighten.



d: Attach drawer  
side panels **18** & **19**  
to drawer back **20**  
with screws **E**.

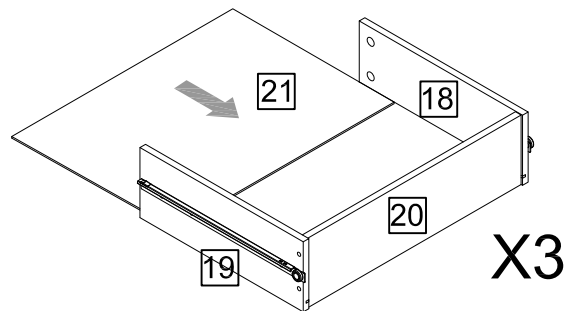


# Assembly Instructions

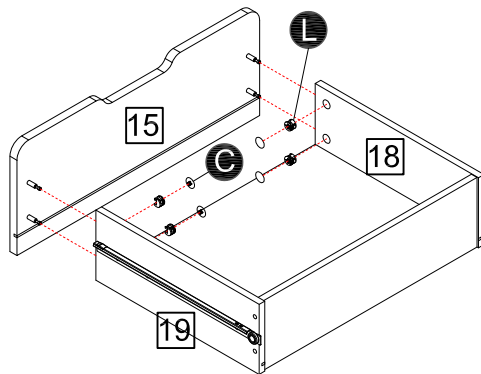
## Step 15

### Assemble drawers

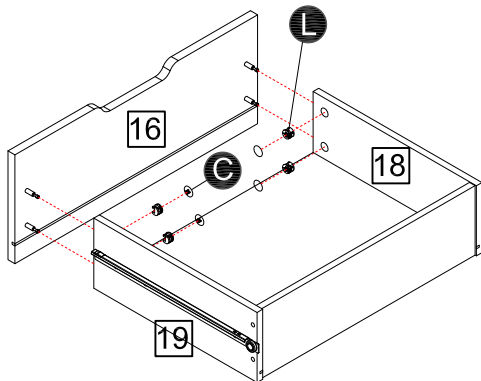
e: Insert drawer bottom **21** into the grooves of drawer panels **18**, **19** & **20**.



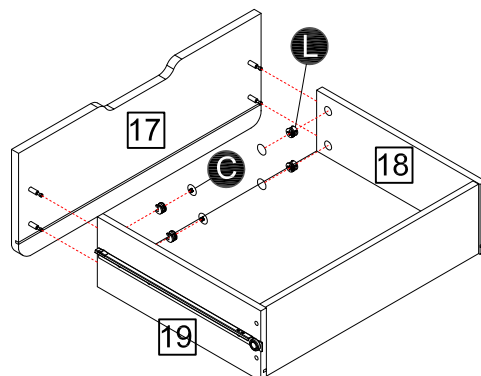
f: Position upper drawer front **15** onto drawer sides **18** & **19**. Insert locking cams **L** into panel **18** & **19**. Use screw driver to turn locking cams **L** clockwise to lock. Use caps **C** to cover cams **L**.



g: Position middle drawer front **16** onto drawer sides **18** & **19**. Insert locking cams **L** into panel **18** & **19**. Use screw driver to turn locking cams **L** clockwise to lock. Use caps **C** to cover cams **L**.



h: Position lower drawer front **17** onto drawer sides **18** & **19**. Insert locking cams **L** into panel **18** & **19**. Use screw driver to turn locking cams **L** clockwise to lock. Use caps **C** to cover cams **L**.



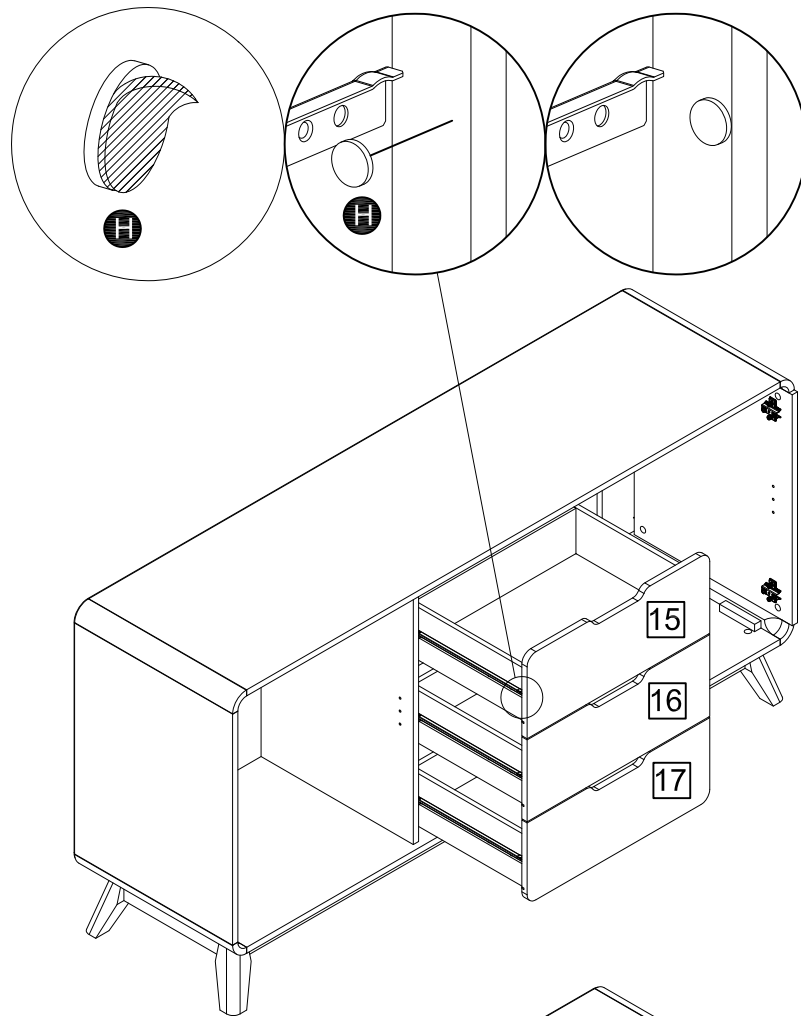
# Assembly Instructions

## Step 16

Insert drawers into cabinet carefully as shown. Slide drawer runners into position gently to avoid damaging runners.

**Note:**  
Follow the correct upper/middle/lower order of these 3 drawers as shown.

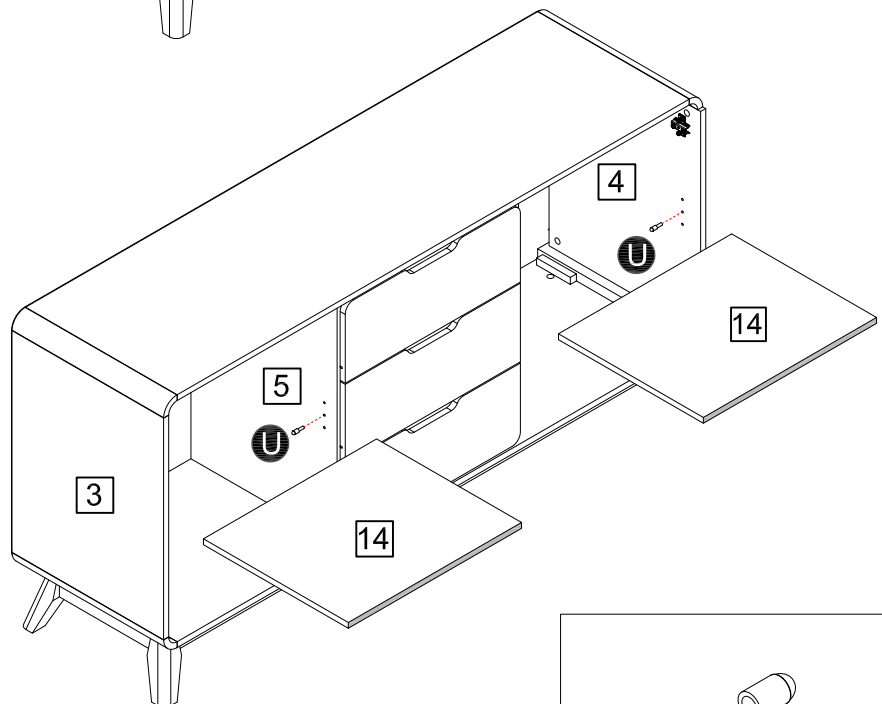
Attach felt pads **H** onto the drawer front as shown.



## Step 17

### Attaching panels



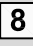

Insert shelf pins **U** into panel **3**, **4**, **5** & **6**. Place shelf panels **14** onto cabinet, letting them rest on shelf pins **U**.

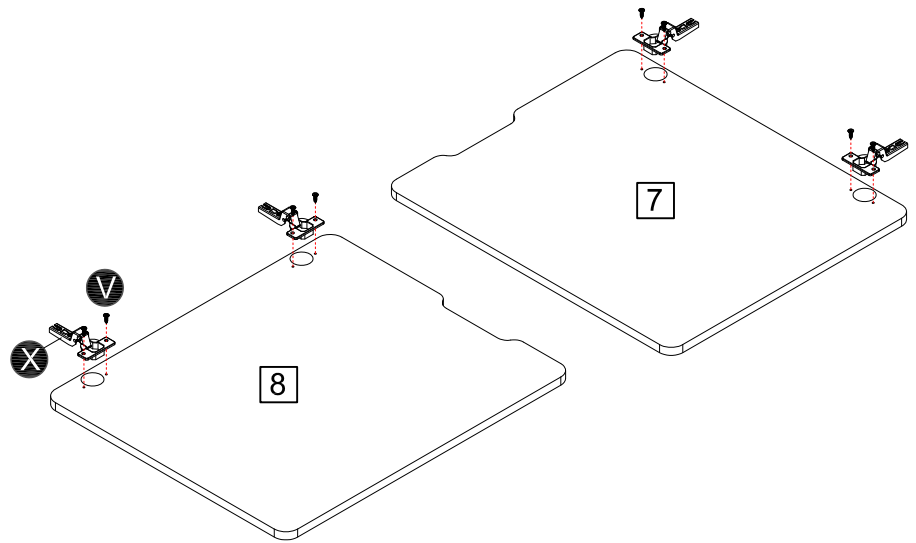


# Assembly Instructions

## Step 18



### Fitting hinges


Fix side hinge  onto door  &  with screw .

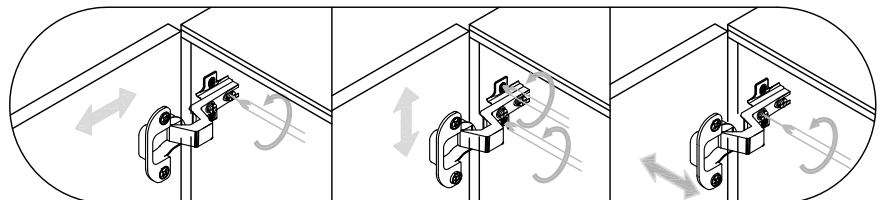
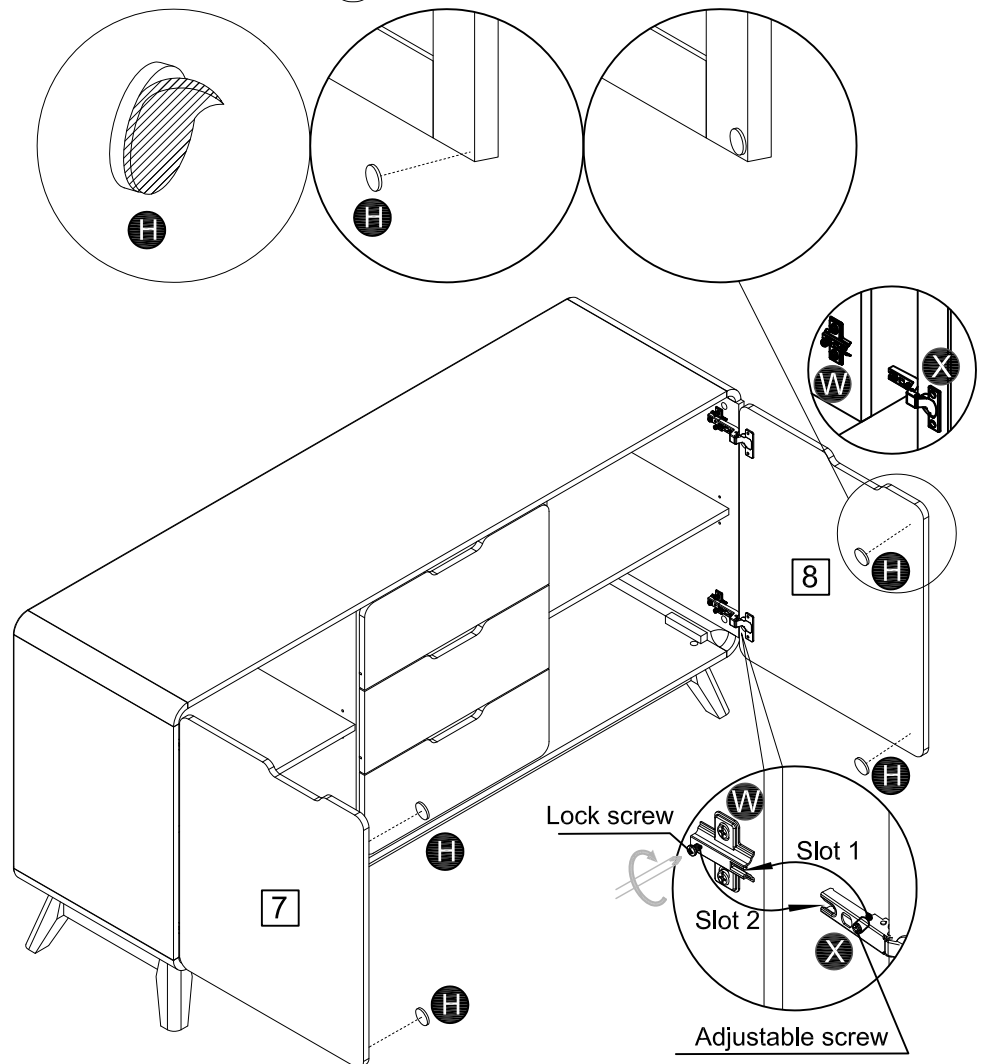


## Step 19

### Attach doors

a: Attach doors into cabinet as shown. Slide hinges  into hinge base , until each adjustable screw is in slot 1 and the lock screw is in the slot 2, then tighten lock screw.

b: Attach pads  onto doors as shown.





# Assembly Instructions

## Step 20

### Fixing unit to the wall

It is recommended that the sideboard is fixed to a wall.

a. Fix wall straps **R** with screws **S** at the back edge of top panel **1**.

b. With help, move sideboard into position.



**Warning:**  
The sideboard is heavy.

**Lift with care.**

Mark fixing holes on wall and remove sideboard.

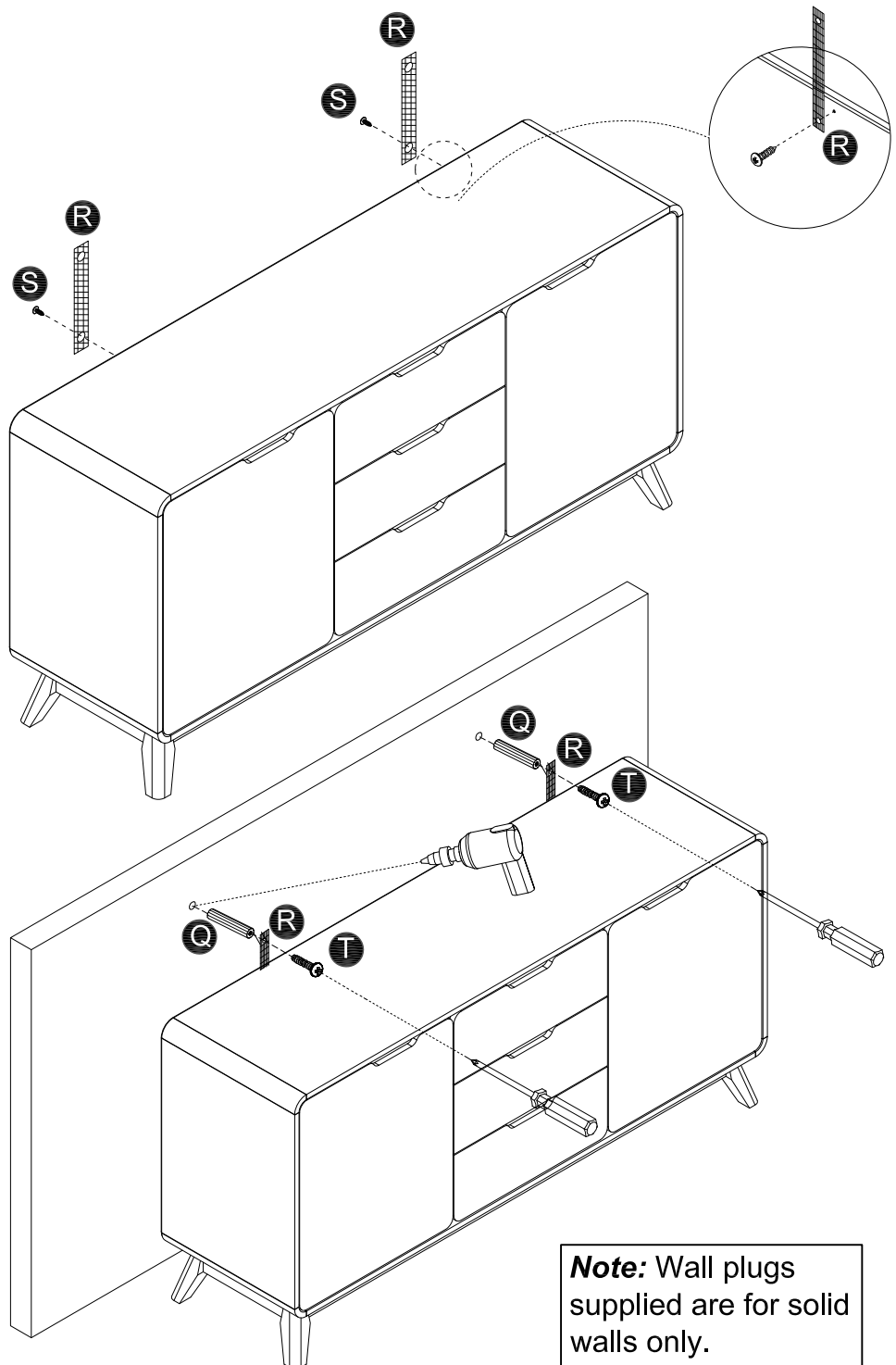
Drill 6mm holes and insert wall plug **Q**.



**Warning:**  
Before drilling, check wall for hidden pipes and cables.

Reposition sideboard and fix wall strap **R** using screws **T**.

Assemble is complete.



**Note:** Wall plugs supplied are for solid walls only. The correct type of fixing must be used for your wall, seek professional advice if in doubt.

If you have damaged or missing components, call the **Customer Helpline: 0845 6400800**