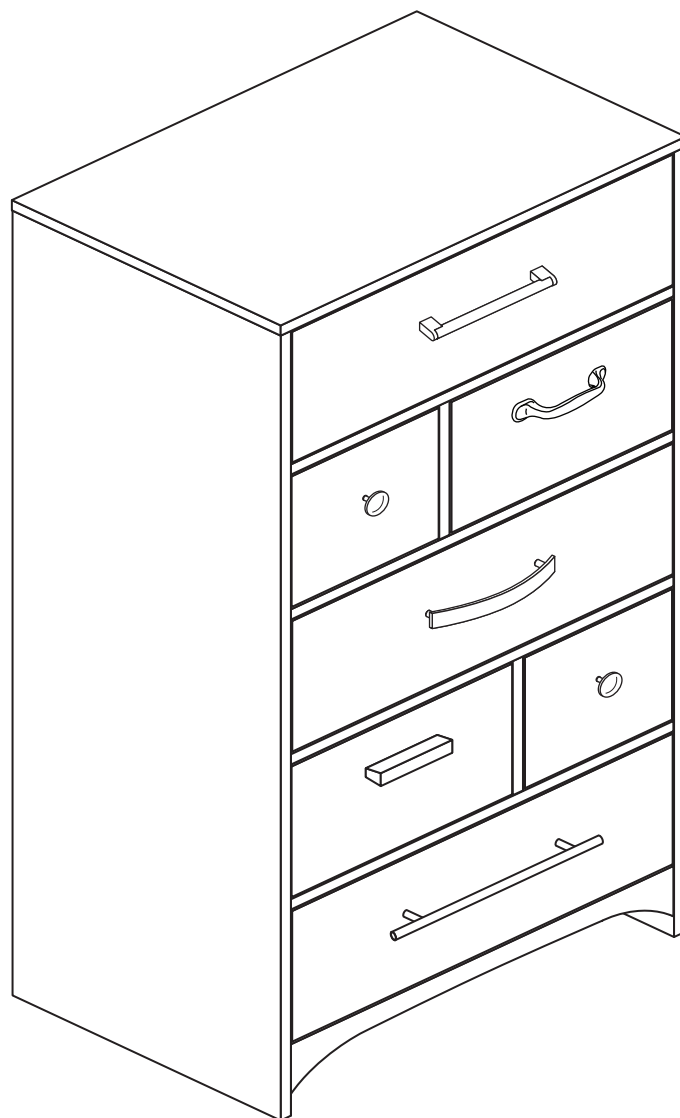


Retro - Tall Drawer Unit

Assembly Instructions - Please keep for future reference

226/2877



Dimensions

Width - 60cm

Depth - 40cm

Height - 117cm



**MADE IN
BRITAIN**

Important - Please read these instructions fully before starting assembly

If you need help or have damaged or missing parts, call the **Customer Helpline: 08456 400800**



Safety and Care Advice

Important - Please read these instructions fully before starting assembly

- **Warning:** This unit weighs approximately 37kgs. Please lift with care.
- Check you have all the components and tools listed on pages 1, 2 and 3.
- Remove all fittings from the plastic bags and separate them into their groups.
- Keep children and animals away from the work area, small parts could choke if swallowed.
- Parts of the assembly will be easier with 2 people.

- Make sure you have enough space to layout the parts before starting.
- Do not stand or put weight on the product, this could cause damage.
- Assemble the item as close to its final position (in the same room) as possible.
- Assemble on a soft level surface to avoid damaging the unit or your floor (use opened out unit carton).



• We do not recommend the use of power drill/drivers **for inserting screws**, as this could damage the unit. Only use hand screwdrivers.

• **Safety note:** It is recommended that this unit is secured to a wall using the bracket supplied.

• Dispose of all packaging carefully and responsibly.

Care and maintenance

- Only clean using a damp cloth and mild detergent, do not use bleach or abrasive cleaners.
- From time to time check that there are no loose screws on this unit.
- This product should not be discarded with household waste. Take to your local authority waste disposal centre.

Components - Panels

If you have damaged or missing components, call the **Customer Helpline: 08456 400800** quoting the reference numbers below

Please check you have all the panels listed below



1 Left Drawer Side (W370-124LH)
(370 x 124mm) x 7



2 Right Drawer Side (W370-124RH)
(370 x 124mm) x 7



3 Large Drawer Back (W513-124)
(513 x 124mm) x 3



4 Medium Drawer Back (W276-124)
(276 x 124mm) x 2



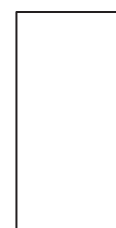
5 Small Drawer Back (W168-124)
(168 x 124mm) x 2



6 Large Drawer Base (T522-367)
(522 x 367mm) x 3



7 Medium Drawer Base (T287-367)
(287 x 367mm) x 2

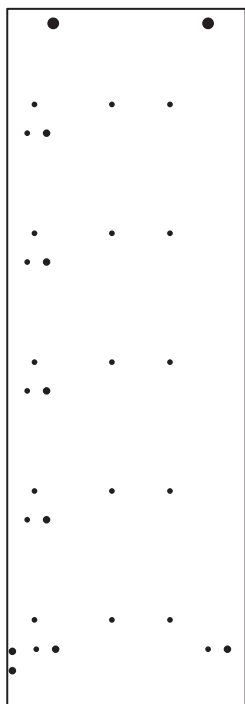


8 Small Drawer Base (T179-367)
(179 x 367mm) x 2

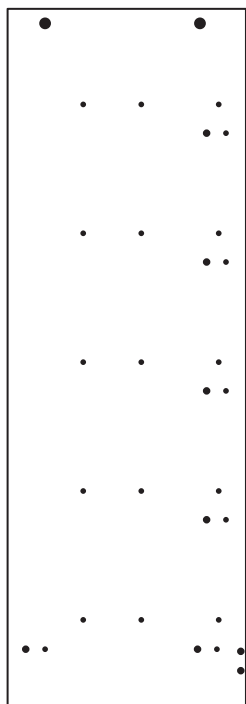
Components - Panels

If you have damaged or missing components, call the **Customer Helpline: 08456 400800** quoting the reference numbers below

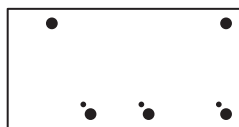
Please check you have all the panels listed below



9 Left Side (DF443)
(1154 x 394mm)



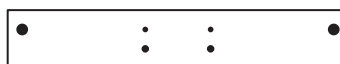
10 Right Side (DF444)
(1154 x 394mm)



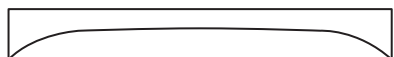
11 Divider (DF448)
(198 x 392mm) x 2



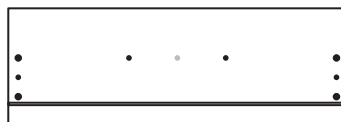
12 Top (DF445)
(597 x 396mm)



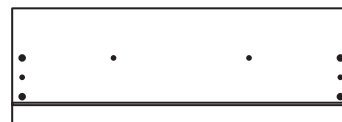
13 Cross Rail (DF447)
(563 x 94mm) x 6



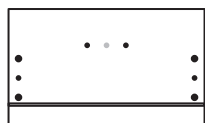
14 Shaped Rail (DF449)
(563 x 74mm)



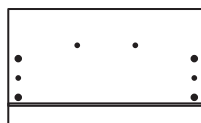
15 Large Drawer Front (DF446)
(557 x 192mm) x 2



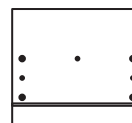
16 Large Drawer Front (D3028A)
(557 x 192mm) x 1



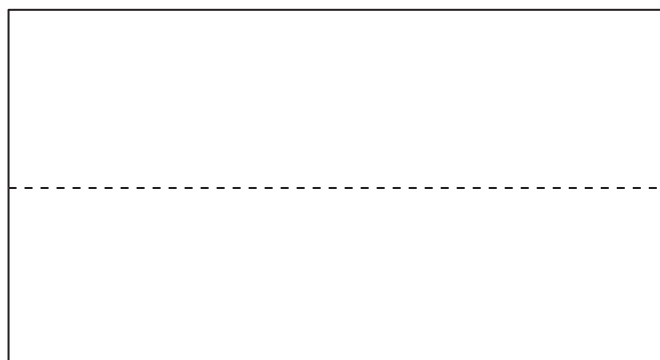
17 Medium Drawer Front (D3029A)
(322 x 192mm) x 1



18 Medium Drawer Front (DF450)
(322 x 192mm) x 1



19 Small Drawer Front (DF451)
(214 x 192mm) x 2



20 Back (X1076-589)
(1076 x 589mm)

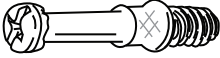










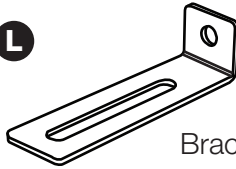
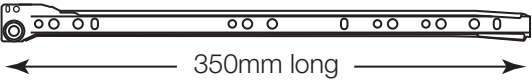

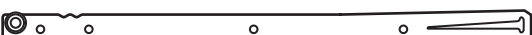

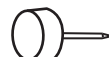
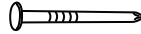

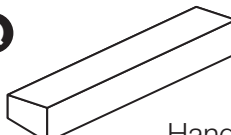

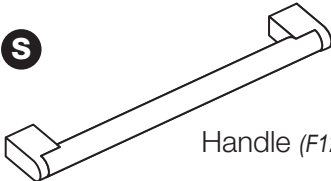

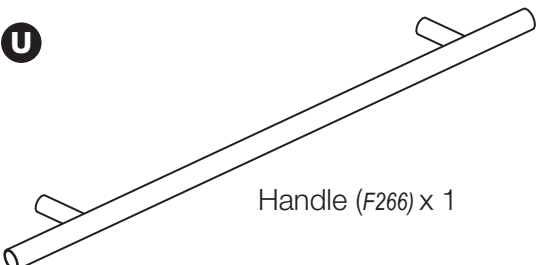


Components - Fittings

If you have damaged or missing components, call the **Customer Helpline: 08456 400800** quoting the reference numbers below

Please check you have all the fittings listed below

Note: The quantities below are the correct amount to complete the assembly. In some cases more fittings may be supplied than are required.

<p>A </p> <p>Metal dowel (F901) x 34</p>	<p>B </p> <p>Large locking nut (F900) x 20</p>	<p>C </p> <p>Small locking nut (F3) x 14</p>
<p>D </p> <p>Wooden dowel (F22) x 20</p>	<p>E </p> <p>25mm Screw (F50) x 2</p>	<p>F </p> <p>19mm Screw (F461) x 10</p>
<p>G </p> <p>9mm Screw (F73) x 42</p>	<p>H </p> <p>13mm Screw (F63) x 42</p>	<p>I </p> <p>13mm Screw (F79) x 1</p>
<p>J </p> <p>Wedgefix (F639) x 14</p>	<p>K </p> <p>Knock-in Peg (F171GY) x 28</p>	<p>L </p> <p>Bracket (F327) x 1</p>
<p>M a  L Runner (F159) x 7 ← 350mm long →</p> <p>M b  R Runner (F160) x 7</p> <p>M c  L Runner (F161) x 7</p> <p>M d  R Runner (F162) x 7</p>		<p>N </p> <p>Plastic Nail (F91) x 4</p> <p>O </p> <p>Nail (F51) x 18</p>
<p>P </p> <p>Handle (F220) x 2</p>	<p>Q </p> <p>Handle (F319) x 1</p>	<p>R </p> <p>Handle (F287) x 1</p>
<p>S </p> <p>Handle (F123) x 1</p>	<p>T </p> <p>Handle (F278) x 1</p>	
<p>U </p> <p>Handle (F266) x 1</p>		

Assembly Instructions

If you have damaged or missing components, call the
Customer Helpline: 08456 400800 quoting the reference
numbers below

Tools required



Rule



Short cross-head
screwdriver



Cross-head
screwdriver



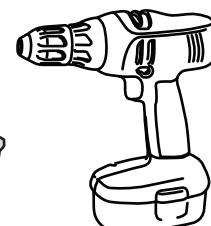
Scissors



Hammer

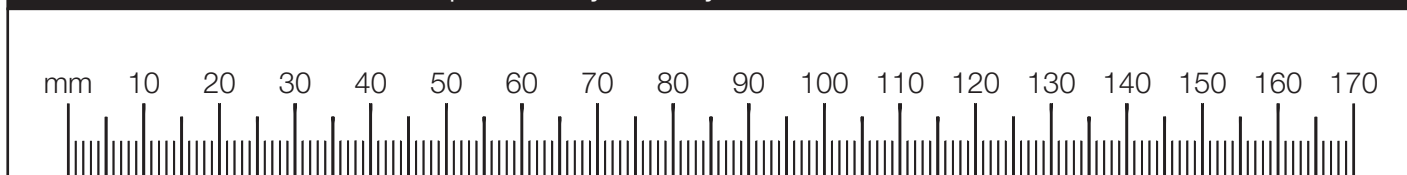


Eye protection
(when using a
hammer or drill)



Electric drill
(do not use for
fitting screws)

Ruler - Use this ruler to help correctly identify the screws

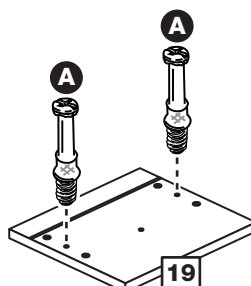
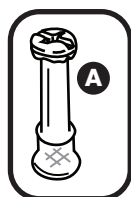


Step 1

Prepare the 2 small drawer fronts

Screw 2 metal dowels **A**
into each of the small
drawer fronts **19**.

Note: Tighten the metal
dowels up fully against
the panels.



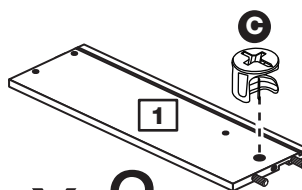
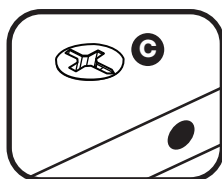
x 2

Step 2

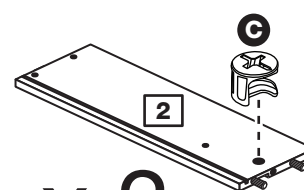
Prepare 2 sets of drawer sides

Insert a small locking
nut **C** into the hole
shown on the left drawer
side **1** and the right
drawer side **2**.

Note: The arrow on the
locking nut **must** point
towards the hole in the
edge of the panel.



x 2



x 2

Assembly Instructions

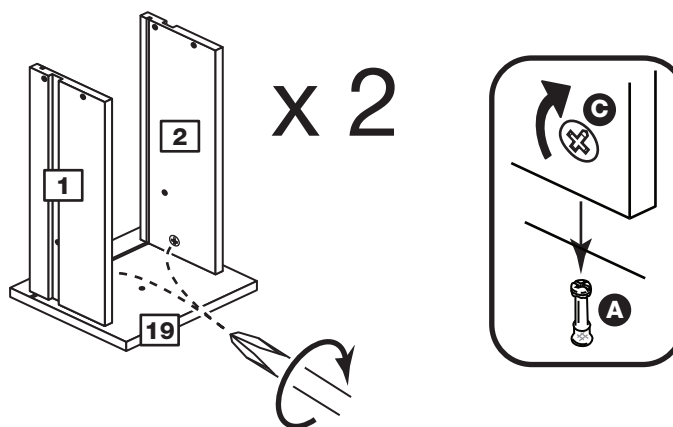
Step 3

Attach the drawer sides to the small drawer fronts

Push the left drawer sides **1** and right drawer sides **2** onto the back of the small drawer fronts **19**.

Turn the small locking nuts **C** on the left drawer side **1** and right drawer side **2**.

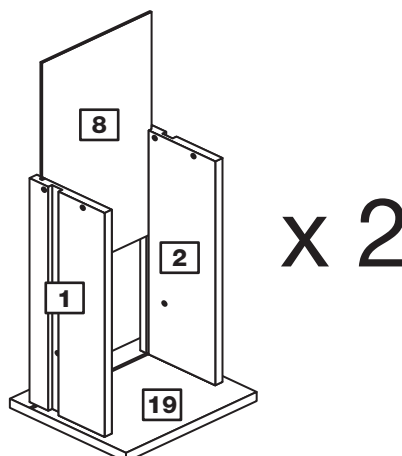
Note: Turn the locking nuts **C** clockwise to secure panels - more than 1/2 a turn.



Step 4

Fit the small drawer bases

Slide the small drawer base **8** down the grooves in the drawer sides **1** and **2** and down into the groove in the small drawer front **19**.

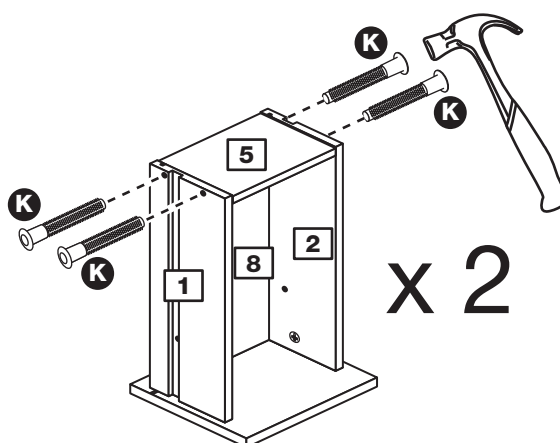


Step 5

Fit the small drawer backs

Fit the small drawer back **5** between the drawer sides **1** and **2**. Make sure that the small drawer base **8** fits into the groove in the small drawer back **5**.

Hold the small drawer back **5** in position and tap the knock-in pegs **K** through the holes in the drawer sides **1** and **2**.

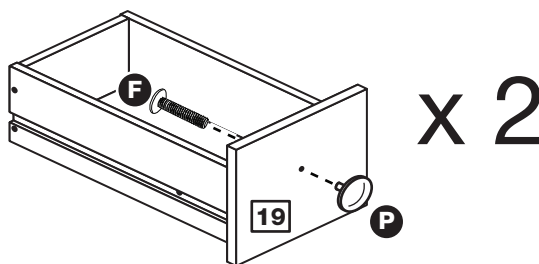


Assembly Instructions

Step 6

Attach the handles

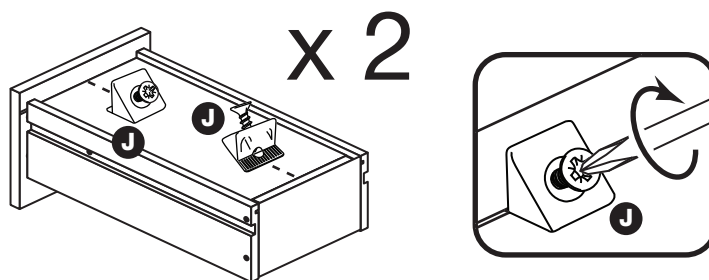
Attach a handle **P** to each of the small drawer fronts **19** using screw **F**.



Step 7

Fit the wedgexes

Turn the drawer assemblies over and slide 2 wedgexes **J** into the front and back grooves, as shown, and tighten up the screws.

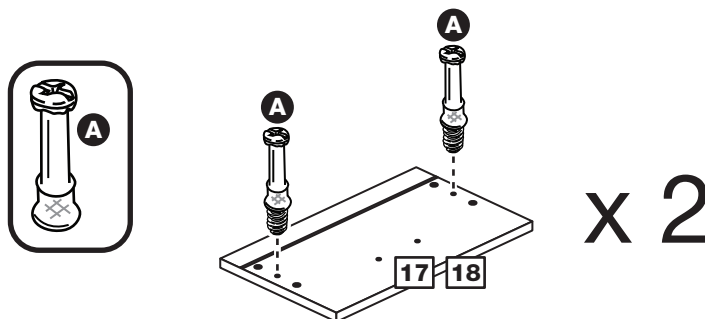


Step 8

Prepare the 2 medium drawer fronts

Screw 2 metal dowels **A** into each of the medium drawer fronts **17** and **18**.

Note: Tighten the metal dowels up fully against the panels.

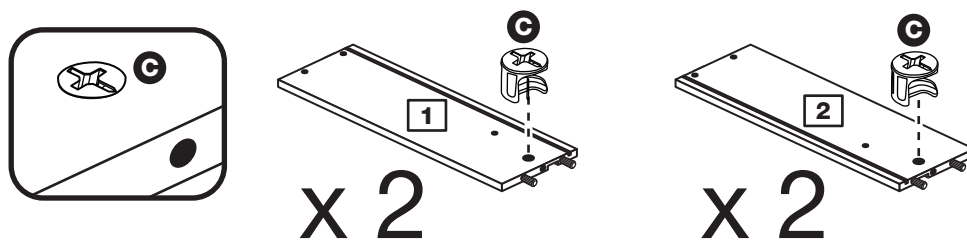


Step 9

Prepare 2 sets of drawer sides

Insert a small locking nut **C** into the hole shown on the left drawer side **1** and the right drawer side **2**.

Note: The arrow on the locking nut **must** point towards the hole in the edge of the panel.



Assembly Instructions

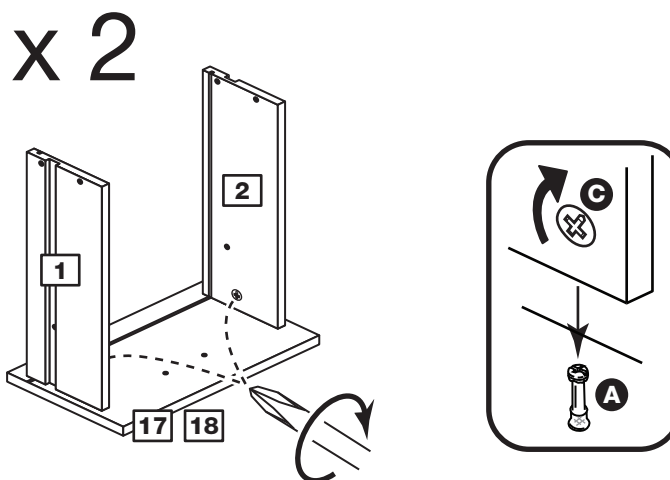
Step 10

Attach the drawer sides to the medium drawer fronts

Push the left drawer sides **1** and right drawer sides **2** onto the back of the medium drawer fronts **17** and **18**.

Turn the small locking nuts **C** on the left drawer side **1** and right drawer side **2**.

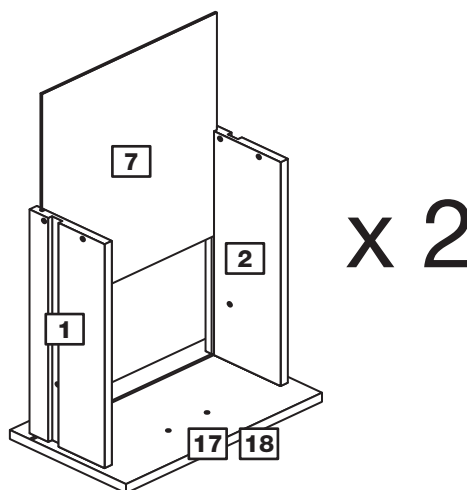
Note: Turn the locking nuts **C** clockwise to secure panels - more than 1/2 a turn.



Step 11

Fit the medium drawer bases

Slide the medium drawer base **7** down the grooves in the drawer sides **1** and **2** and down into the groove in the medium drawer front **17** and **18**.

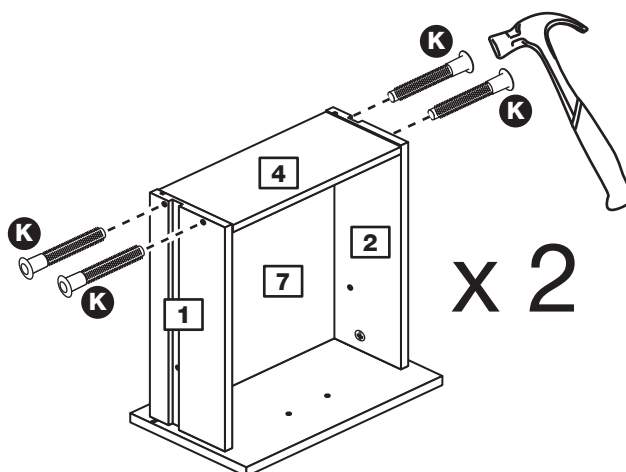


Step 12

Fit the medium drawer backs

Fit the medium drawer back **4** between the drawer sides **1** and **2**. Make sure that the medium drawer base **7** fits into the groove in the medium drawer back **4**.

Hold the medium drawer back **4** in position and tap the knock-in pegs **K** through the holes in the drawer sides **1** and **2**.



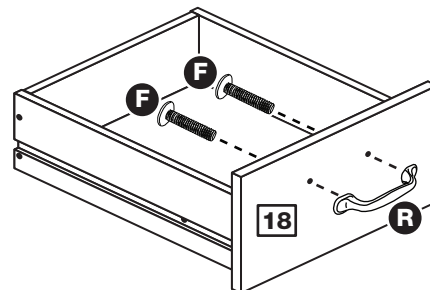
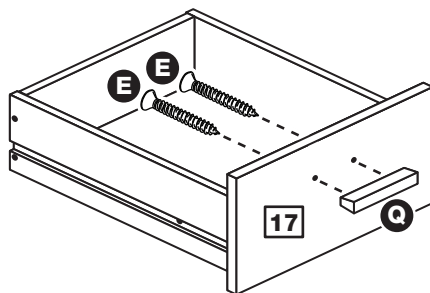
Assembly Instructions

Step 13

Attach the handles

Attach handle **Q** to a medium drawer front **17** using screws **E**.

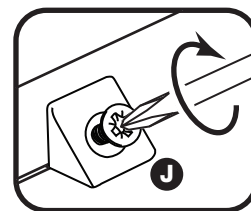
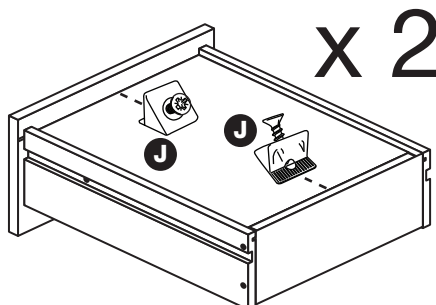
Attach handle **R** to the medium drawer front **18** using screws **F**.



Step 14

Fit the wedgifixes

Turn the medium drawer assemblies over and slide 2 wedgifixes **J** into the front and back grooves, as shown, and tighten up the screws.

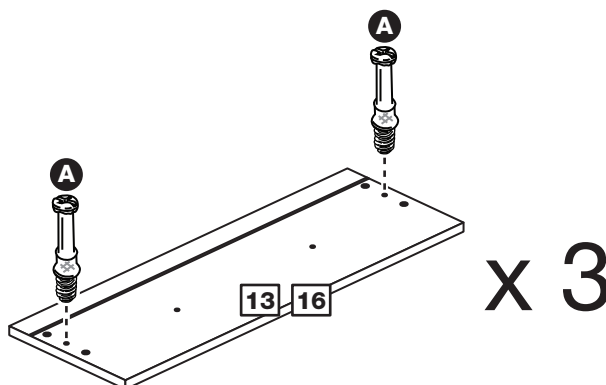
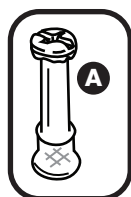


Step 15

Prepare the 3 large drawer fronts

Screw 2 metal dowels **A** into each of the large drawer fronts **13** and **16**.

Note: Tighten the metal dowels up fully against the panels.



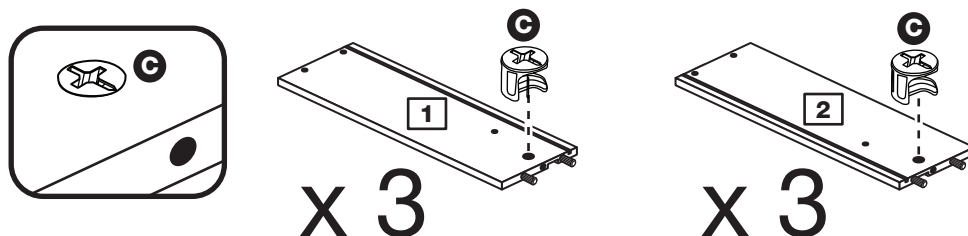
Assembly Instructions

Step 16

Prepare 3 sets of drawer sides

Insert a small locking nut **C** into the hole shown on the left drawer side **1** and the right drawer side **2**.

Note: The arrow on the locking nut **must** point towards the hole in the edge of the panel.



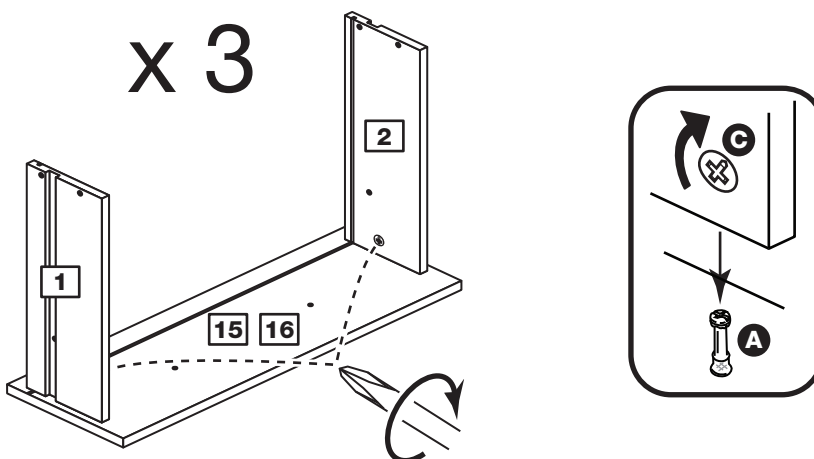
Step 17

Attach the drawer sides to the large drawer fronts

Push the left drawer sides **1** and right drawer sides **2** onto the back of the large drawer fronts **15** and **16**.

Turn the small locking nuts **C** on the left drawer side **1** and right drawer side **2**.

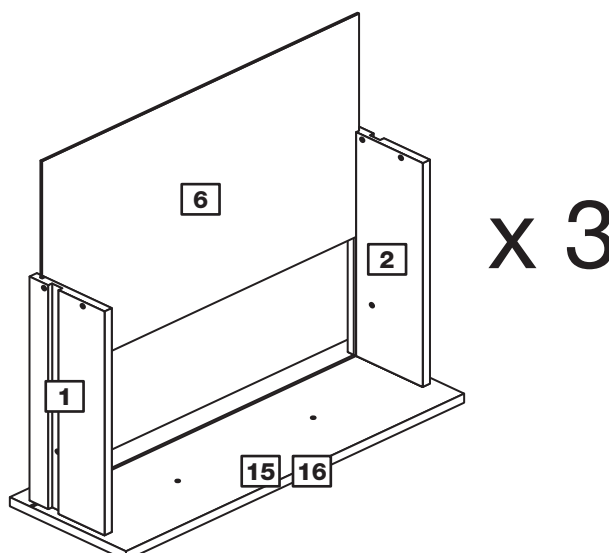
Note: Turn the locking nuts **C** clockwise to secure panels - more than 1/2 a turn.



Step 18

Fit the large drawer bases

Slide the large drawer base **6** down the grooves in the drawer sides **1** and **2** and down into the groove in the large drawer front **15** and **16**.



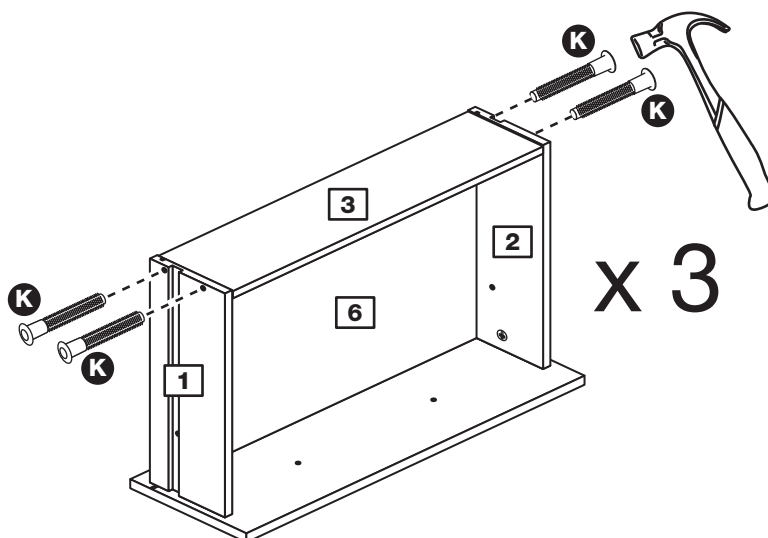
Assembly Instructions

Step 19

Fit the large drawer backs

Fit the large drawer back **3** between the drawer sides **1** and **2**. Make sure that the large drawer base **6** fits into the groove in the large drawer back **3**.

Hold the large drawer back **3** in position and tap the knock-in pegs **K** through the holes in the drawer sides **1** and **2**.



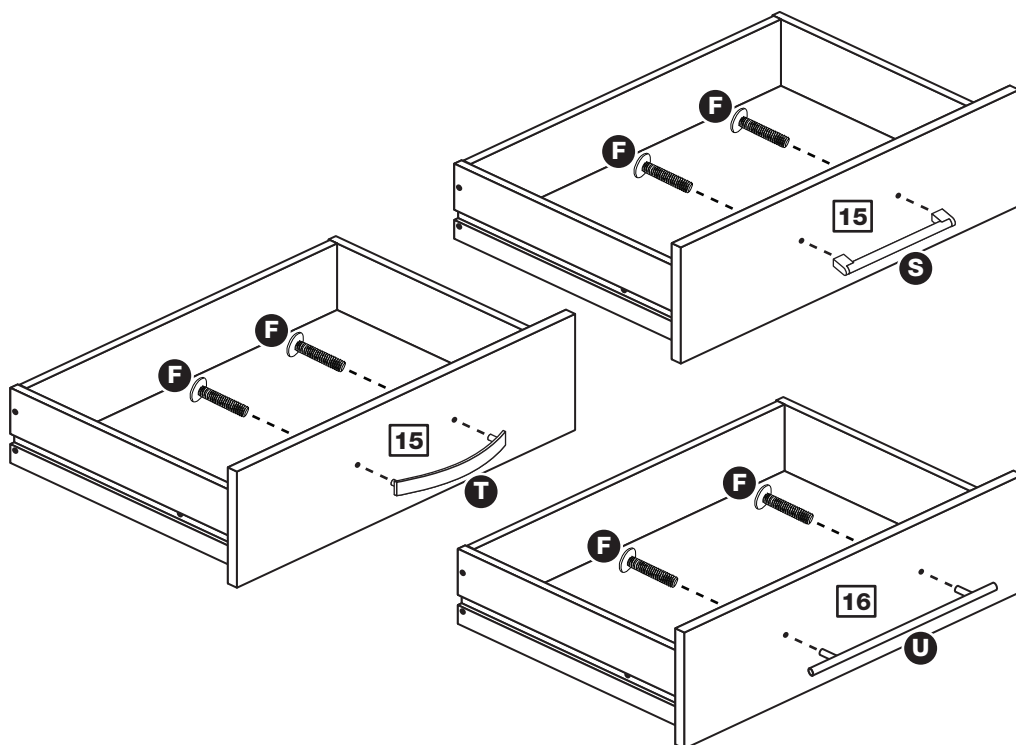
Step 20

Attach the handles

Attach handle **S** to a large drawer front **15** using screws **F**.

Attach handle **T** to a large drawer front **15** using screws **F**.

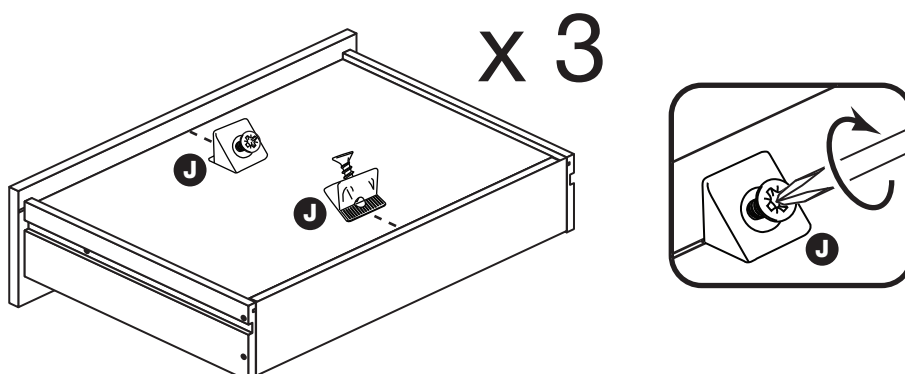
Attach handle **U** to the large drawer front **16** using screws **F**.



Step 21

Fit the wedgifixes

Turn the large drawer assemblies over and slide 2 wedgifixes **J** into the front and back grooves, as shown, and tighten up the screws.



Assembly Instructions

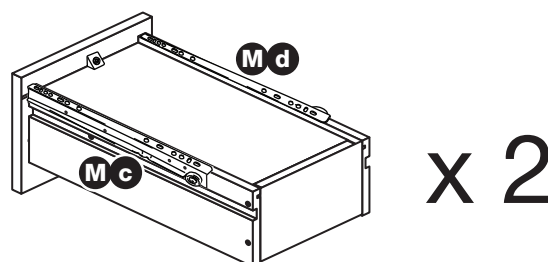
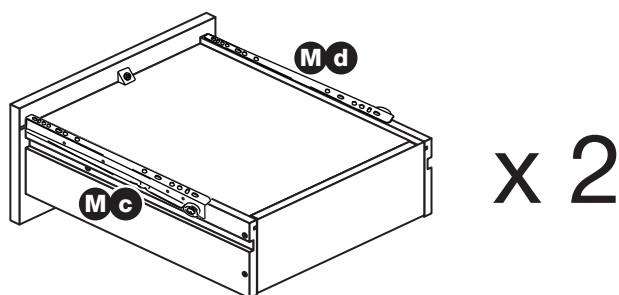
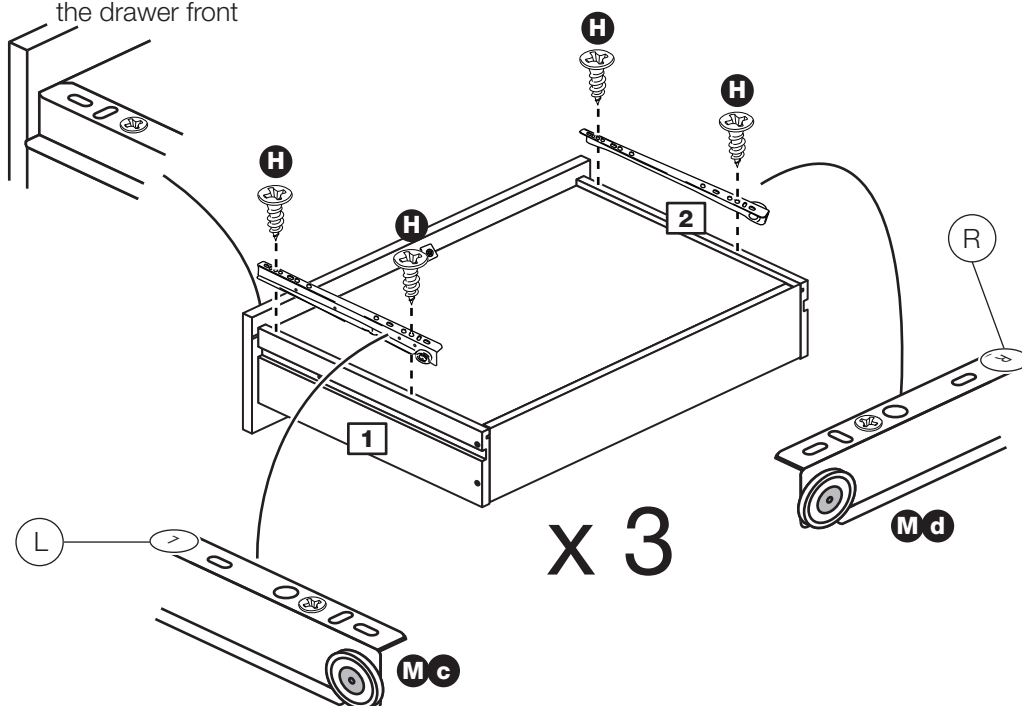
Step 22

Fit runners to the bottom of all 9 drawer assemblies

Fit runner **Md**, marked with 'R', to the bottom edge of the right drawer side **2**, as shown, making sure that it is pushed up against the back of the drawer front. Use a bradawl to mark the fixing positions, then secure with 2 screws **H**.

Fit runner **Mc**, marked 'L', to the bottom edge of the left drawer side **1** using the same method.

Runners must be pushed up against the drawer front



Assembly Instructions

Step 23

Prepare a cross rail

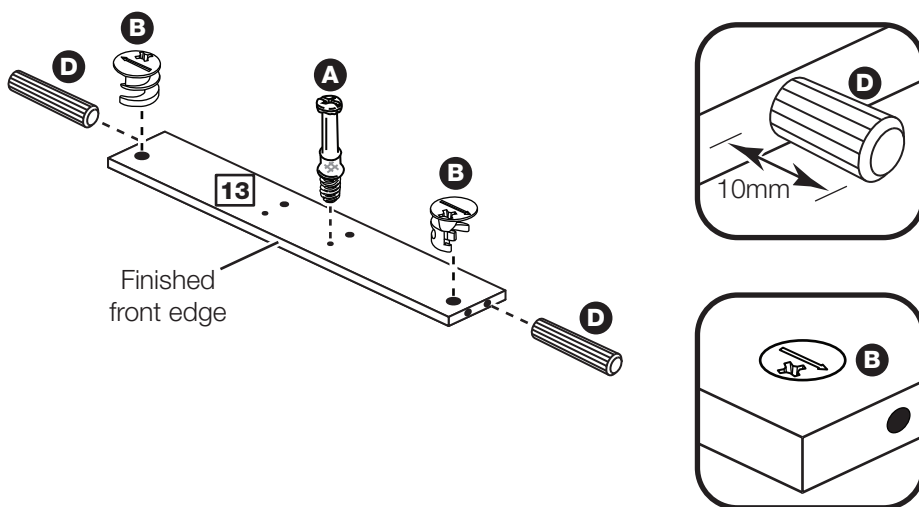
Screw a metal dowel **A** into a cross rail **13**.

Tap 2 wooden dowels **D** into the cross rail **13**.

Note: Wooden dowels **must not** stick out from the edge by more than 10mm or they may damage other panels.

Insert 2 large locking nuts **B** into the cross rail **13**.

Note: The arrow on the locking nut **must** point towards the hole in the edge of the panel.



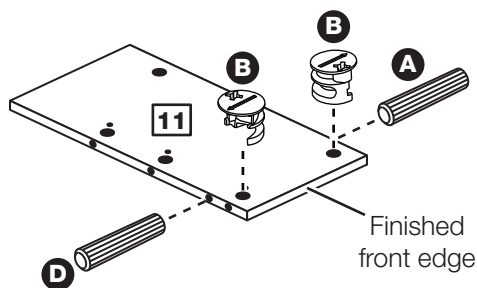
Step 24

Prepare 2 more dividers

Tap 2 wooden dowels **D** into the dividers **11**.

Insert 2 large locking nuts **B** into the dividers **11**.

Note: The holes for the large locking nuts can be on either surface of the dividers.



Assembly Instructions

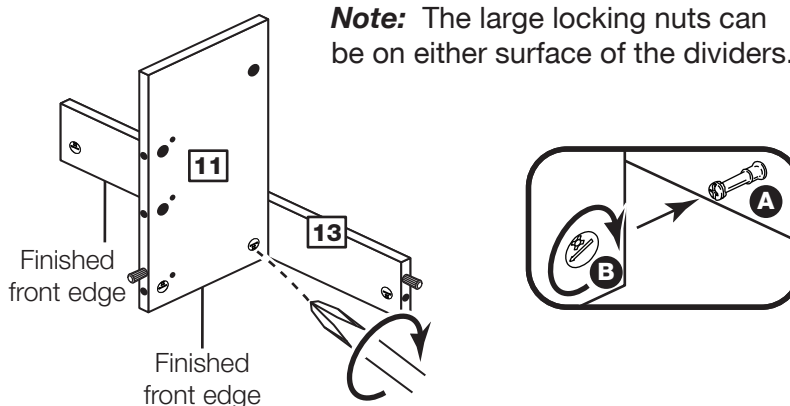
Step 25

Fit the divider to the cross rail

Push the divider **11** onto the cross rail **13**.

Use a screwdriver to tighten the large locking nut **B** fitted to the divider **11**.

Note: Turn the large locking nuts **B** as far as they will go - more than 1/2 a turn.



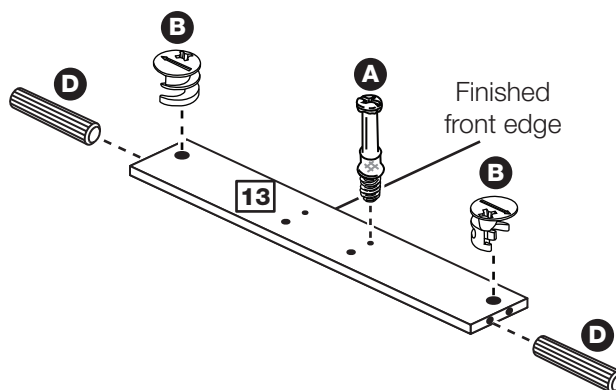
Step 26

Prepare 1 cross rail

Tap 2 wooden dowels **D** into the cross rail **13**.

Insert 2 large locking nuts **B** into the cross rail **13**.

Screw a metal dowel **A** into a cross rail **13**.

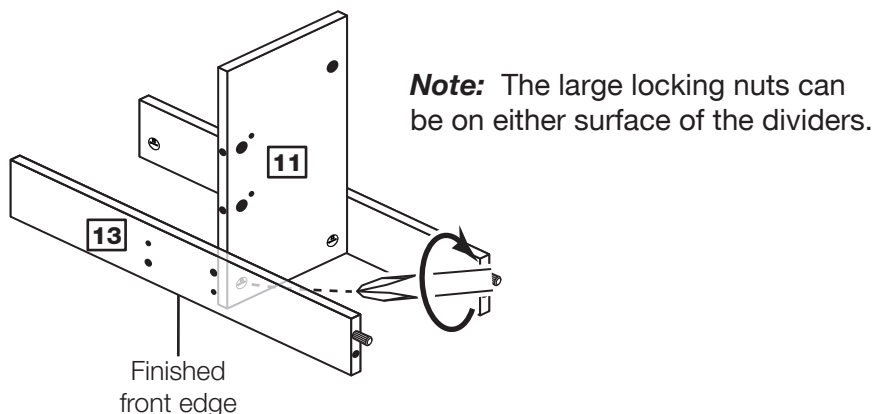


Step 27

Fit the cross rail to the divider

Push the cross rail **13** onto the divider **11**.

Use a screwdriver to tighten the large locking nut **B** fitted to the divider **11**.



Assembly Instructions

Step 28

Prepare the right side

a: Fit 5 runners **M b** to the right side **10**.

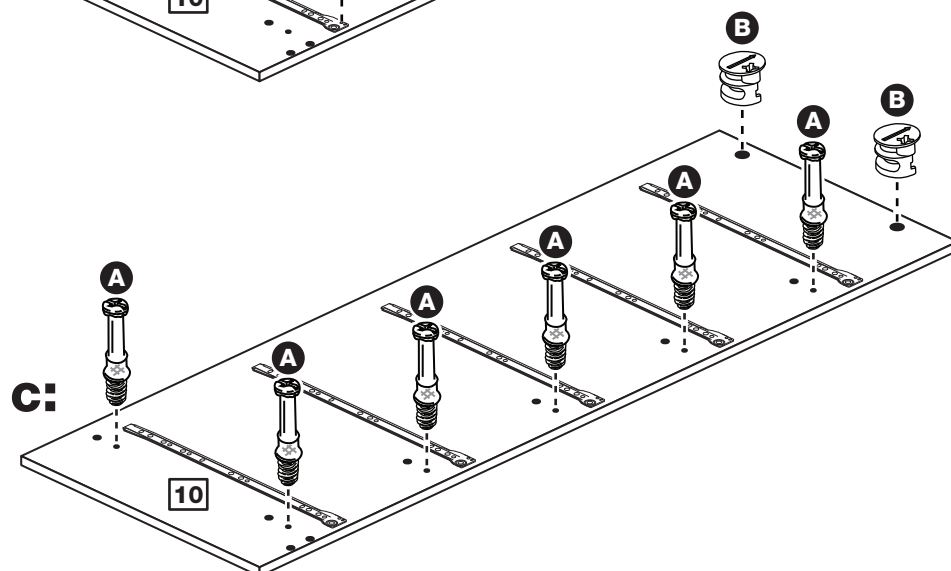
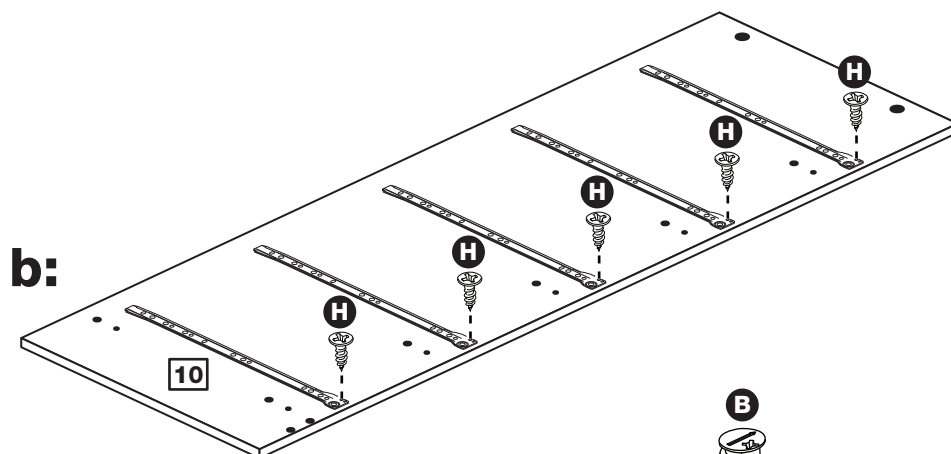
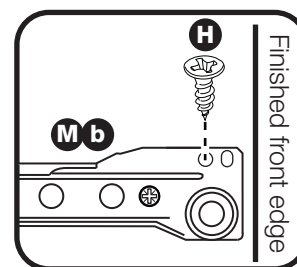
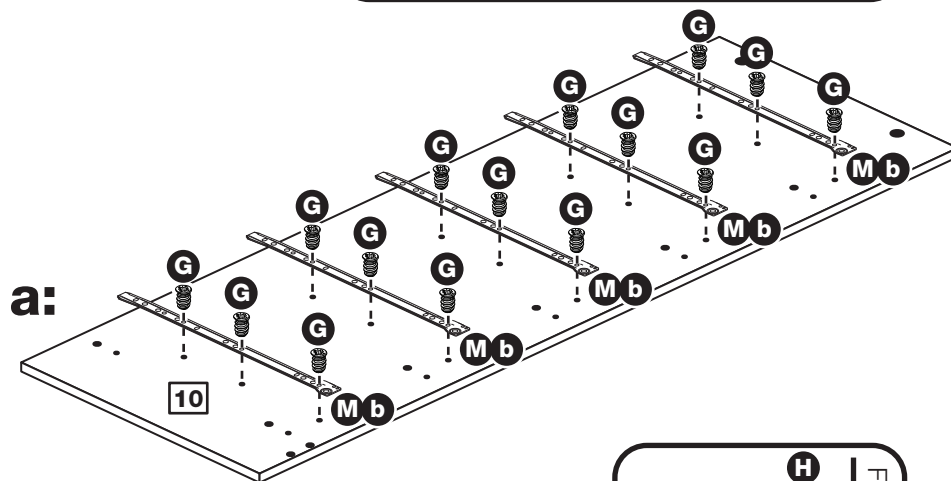
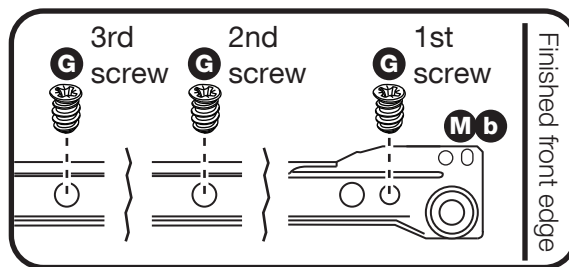
The 1st screw **G** uses the 1st hole in from the front of the runner.

The 2nd and 3rd screws **G** use the holes that line up with the other panel holes.

b: Fit a screw **H** into the 2nd hole in at the top of the runner **M b**.

c: Screw 6 metal dowels **A** into the right side **10**.

Insert 2 large locking nuts **B** into the right side **10**.



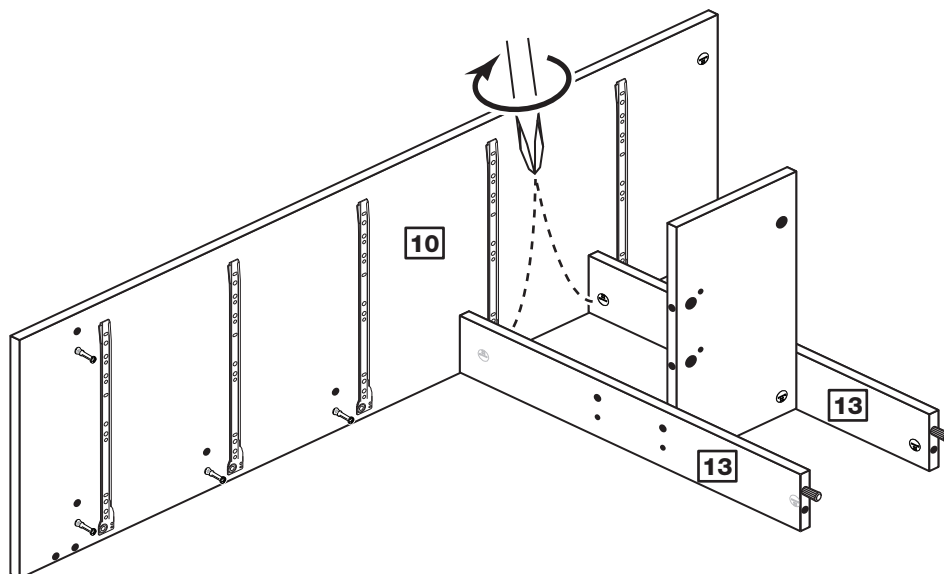
Assembly Instructions

Step 29

Fit the right side

Push the right side **10** onto the cross rails **13**.

Use a screwdriver to tighten the 2 large locking nuts **B** fitted to the 2 cross rails **13**.



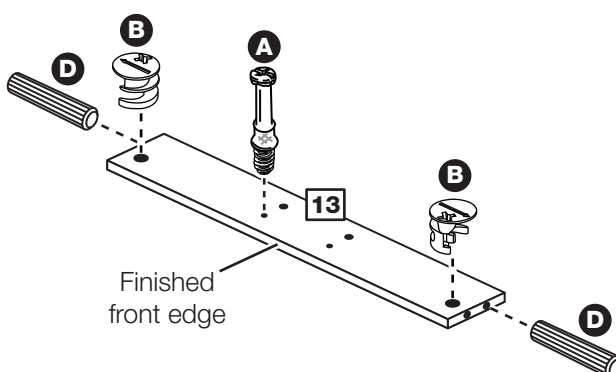
Step 30

Prepare a cross rail

Tap 2 wooden dowels **D** into the cross rail **13**.

Insert 2 large locking nuts **B** into the cross rail **13**.

Screw a metal dowel **A** into the cross rail **13**.

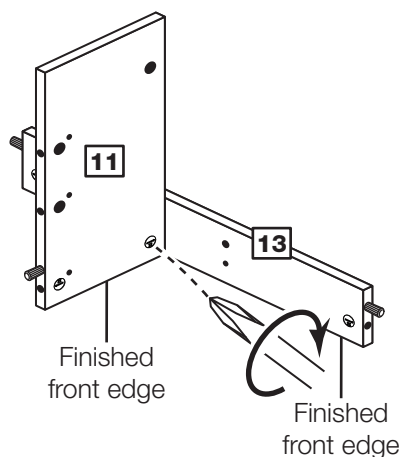


Step 31

Fit the divider to the cross rail

Push the divider **11** onto the cross rail **13**.

Use a screwdriver to tighten the large locking nut **B** fitted to the divider **11**.



Assembly Instructions

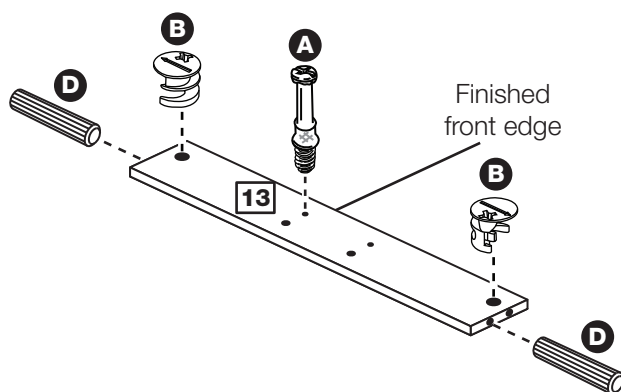
Step 32

Prepare a cross rail

Tap 2 wooden dowels **D** into the cross rail **13**.

Insert 2 large locking nuts **B** into the cross rail **13**.

Screw 2 metal dowels **A** into a cross rail **13**.



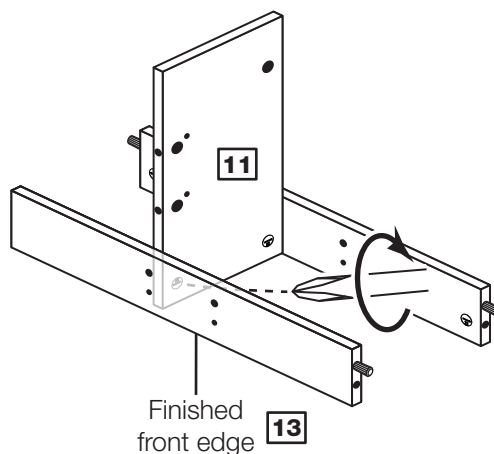
Step 33

Fit the cross rail to the divider

Push the cross rail **13** onto the divider **11**.

Use a screwdriver to tighten the large locking nut **B** fitted to the divider **11**.

Note: The large locking nuts can be on either surface of the dividers.

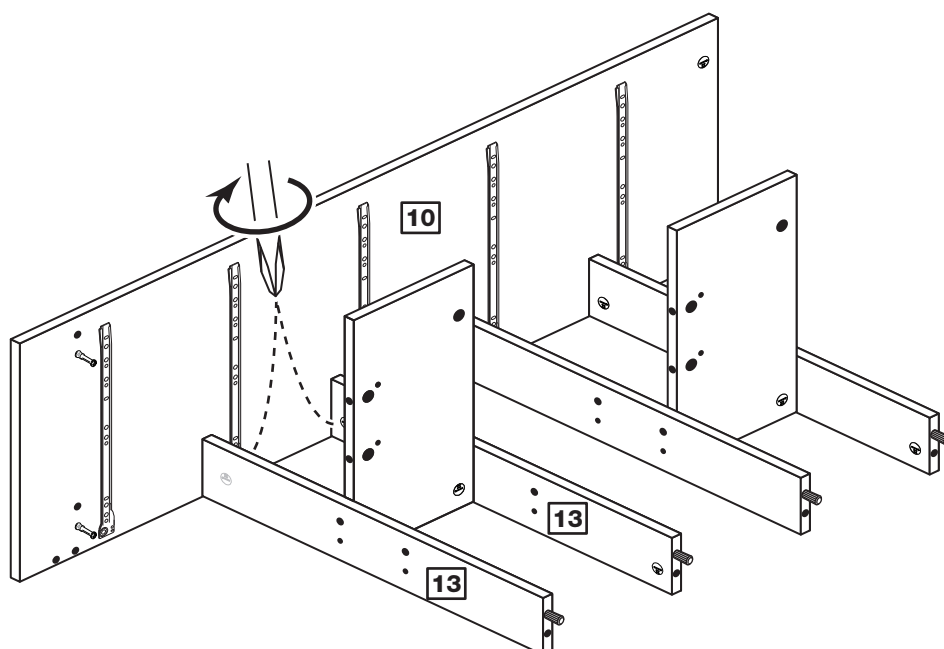


Step 34

Fit the other cross rail assembly

Push the cross rails **13** onto the right side **10**.

Use a screwdriver to tighten the 2 large locking nuts **B** fitted to the 2 cross rails **13**.



Assembly Instructions

Step 35

Prepare the left side

a: Fit 5 runners **Ma** to the left side **9**.

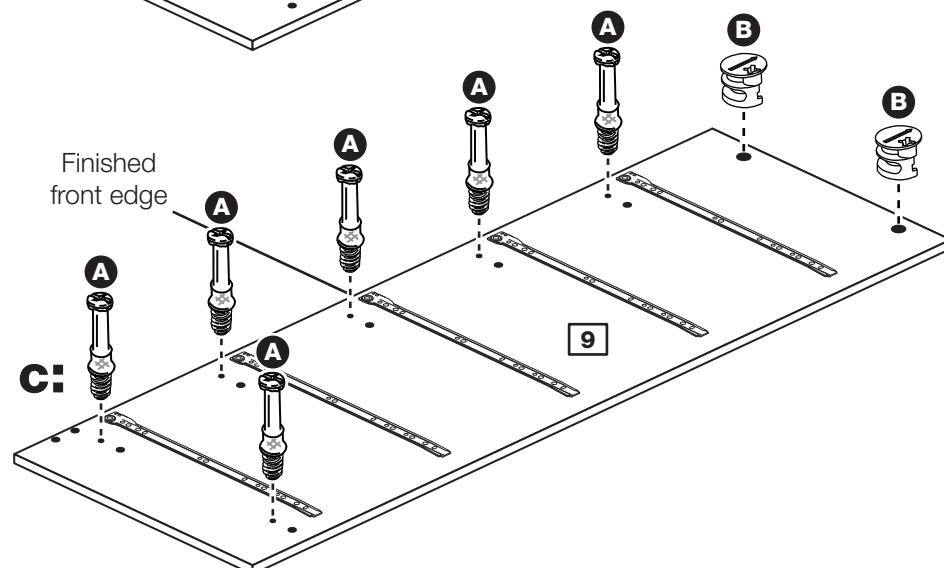
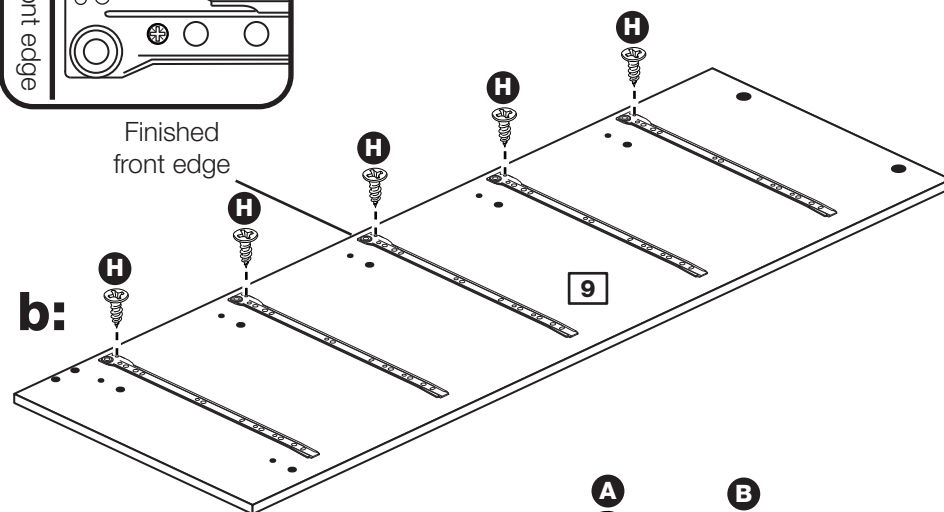
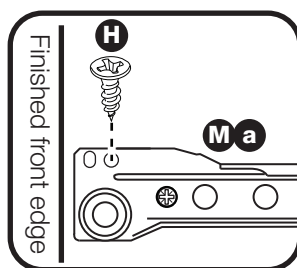
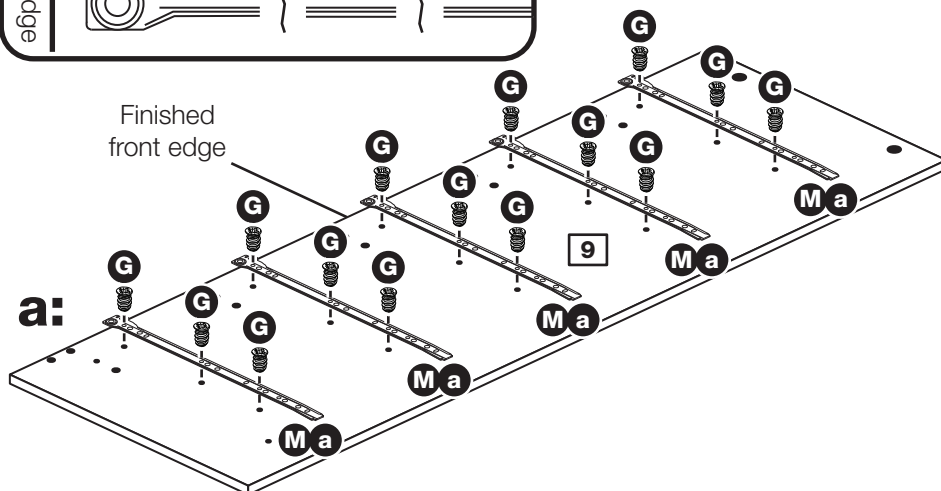
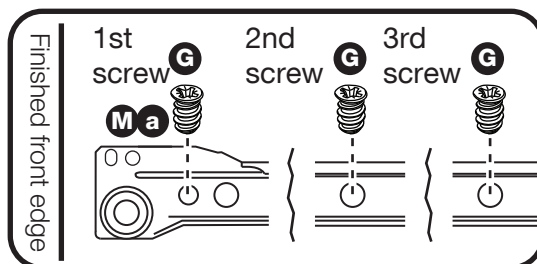
The 1st screw **G** uses the 1st hole in from the front of the runner.

The 2nd and 3rd screws **G** use the holes that line up with the other panel holes.

b: Fit a screw **H** into the 2nd hole in at the top of the runner **Ma**.

c: Screw 6 metal dowels **A** into the left side **9**.

Insert 2 large locking nuts **B** into the left side **9**.

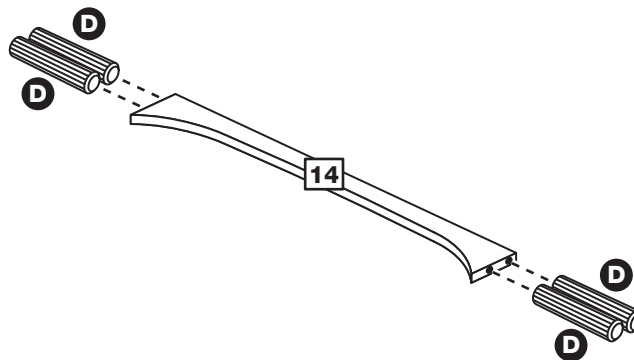


Assembly Instructions

Step 36

Prepare the shaped rail

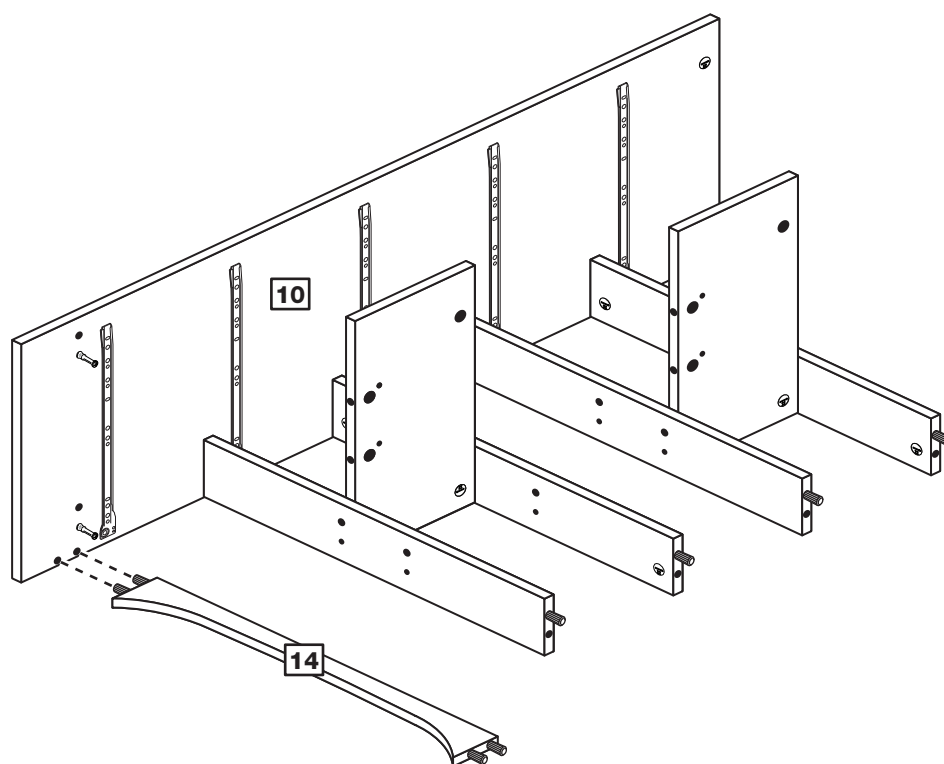
Tap 4 wooden dowels **D** into the shaped rail **14**.



Step 37

Fit the shaped rail

Push the shaped rail **14** onto the right side **10**.

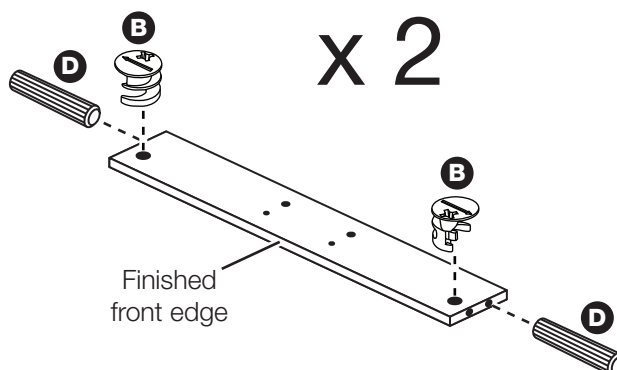


Step 38

Prepare the last 2 cross rails

Tap 2 wooden dowels **D** into each cross rail **13**.

Insert 2 large locking nuts **B** into each cross rail **13**.



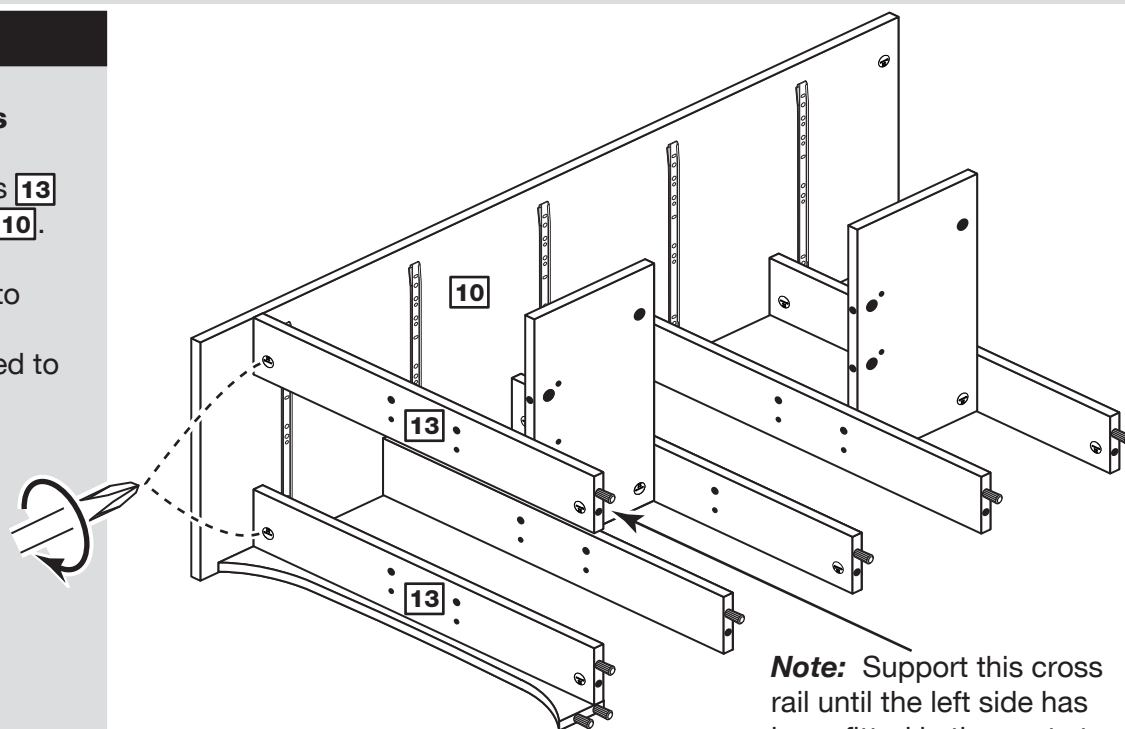
Assembly Instructions

Step 39

Fit the cross rails

Push the cross rails **13** onto the right side **10**.

Use a screwdriver to tighten the 2 large locking nuts **B** fitted to the cross rails **13**.

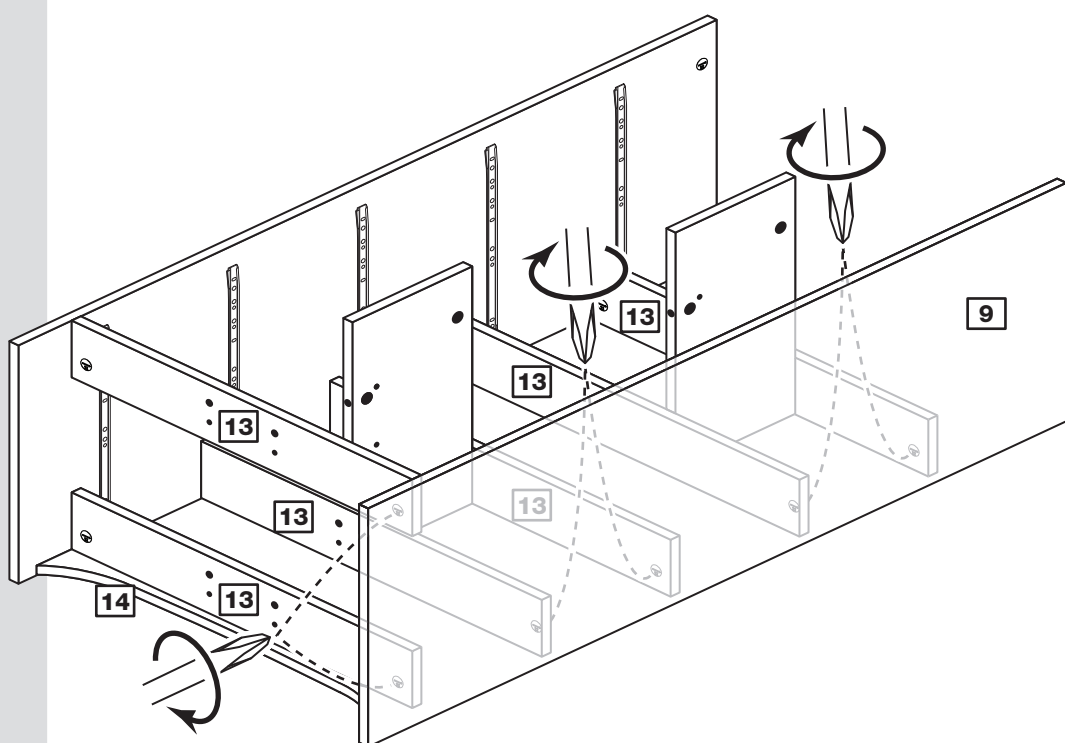


Step 40

Fit the left side

Push the left side **9** onto the cross rails **13** and the shaped rail **14**.

Use a screwdriver to tighten the 6 large locking nuts **B** fitted to the cross rails **13**.



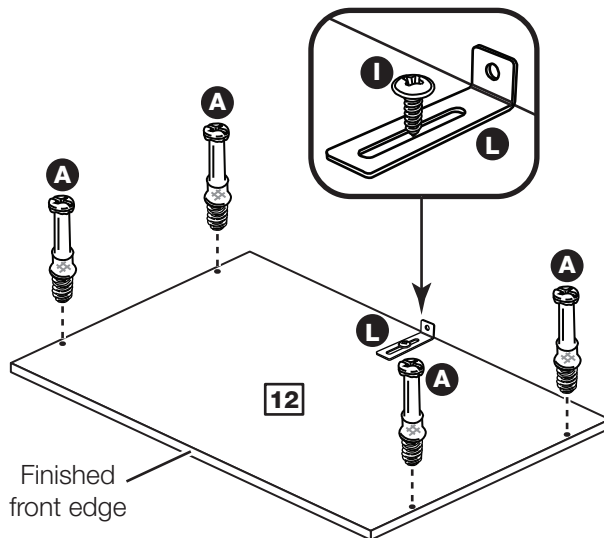
Assembly Instructions

Step 41

Prepare the top

Screw 4 metal dowels **A** into the top **12**.

Fix the bracket **L** to the middle of the top **12** and flush to the back edge using screw **I**.

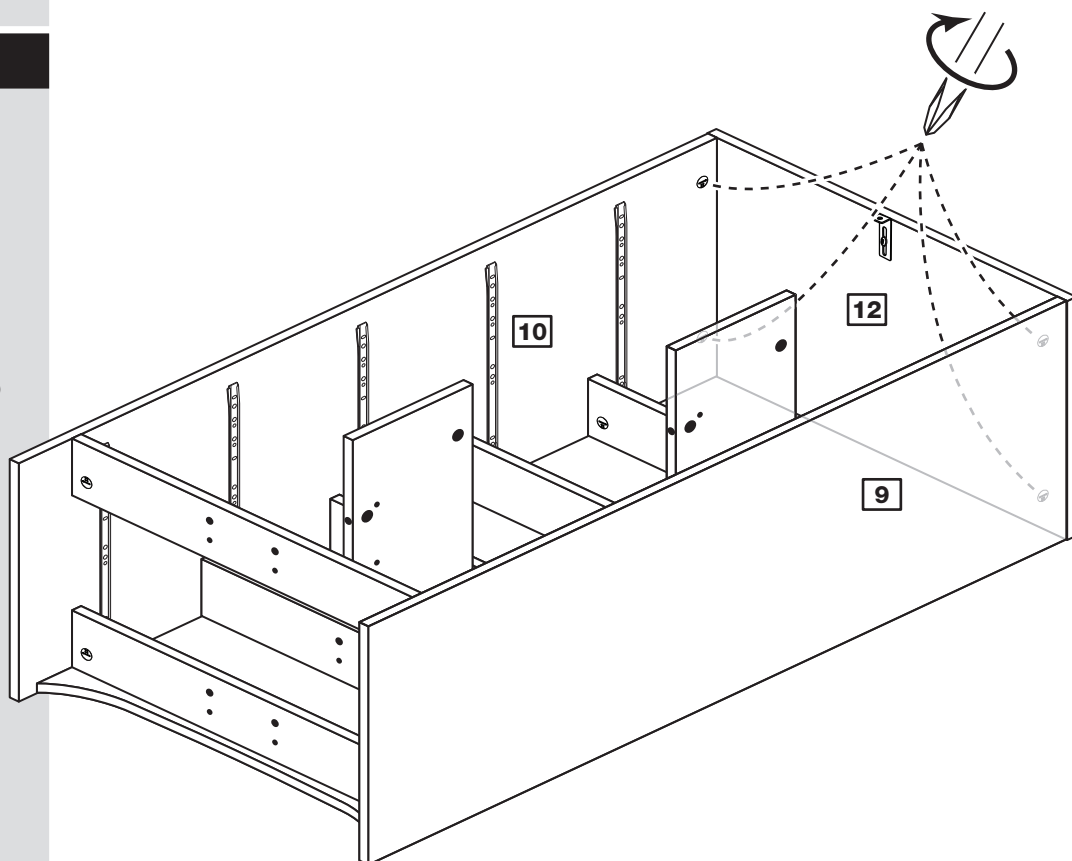


Step 42

Fit the top

Push the top **12** onto the assembly.

Use a screwdriver to tighten the 4 large locking nuts **B** fitted to the sides **9** and **10**.



Assembly Instructions

Step 43

Fit the back

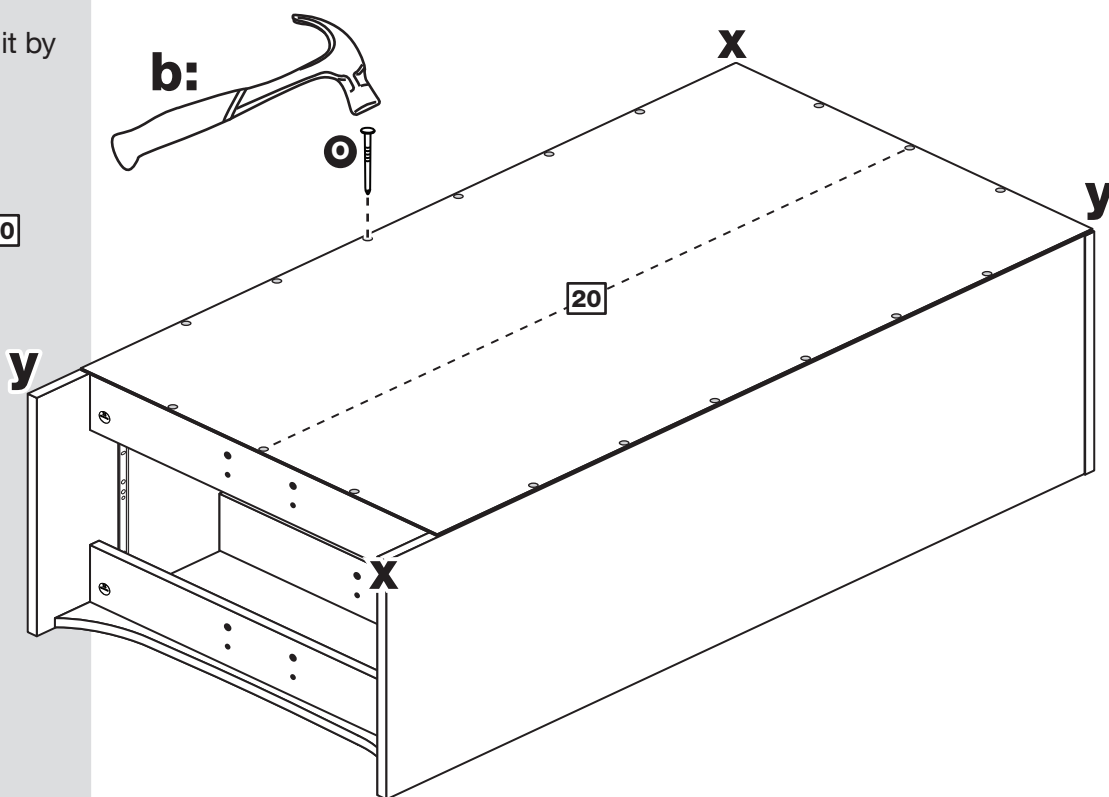
a: Square up the unit by making sure that measurement **x to x** equals **y to y**.

b: Place the back **20** onto the unit.

Nail **⊙** around the outside edges of the back **20**.

Note: Nails should be spaced about 150mm apart.

a: The measurement from top corner X to bottom corner X must be equal to the measurement from top corner Y to bottom corner Y

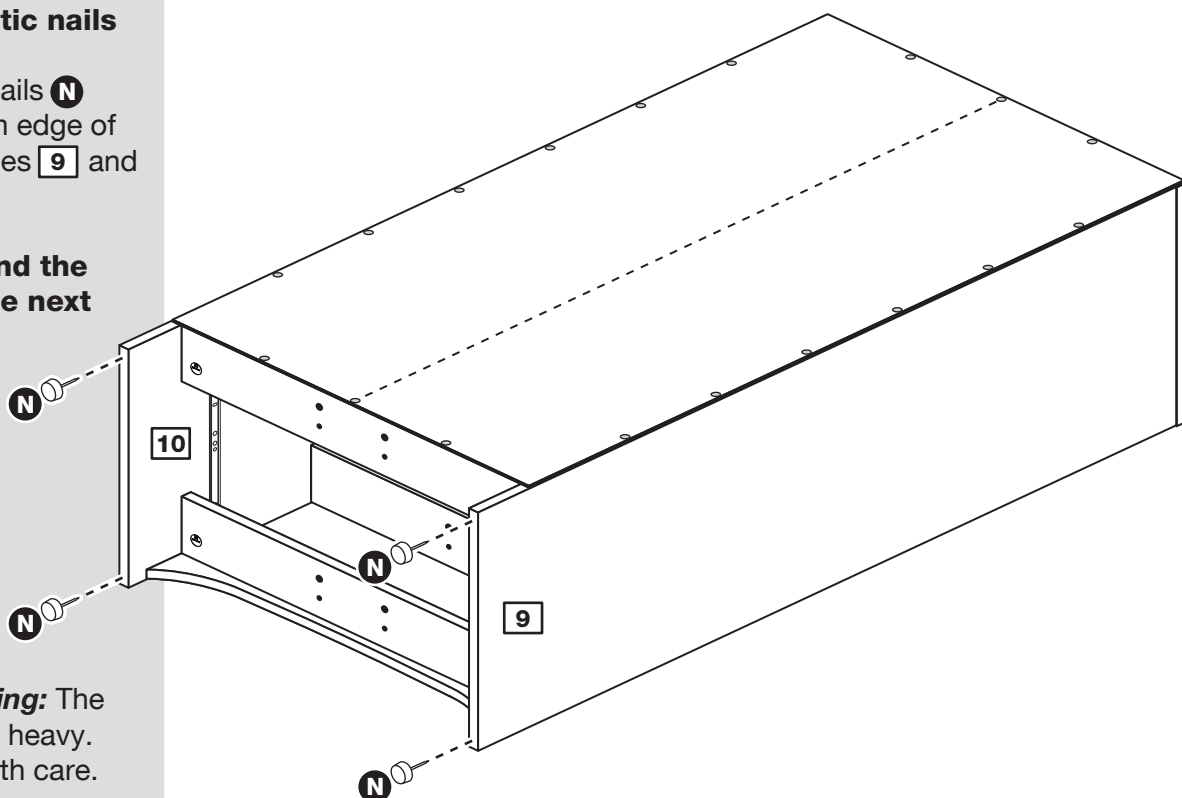


Step 44

Fit the 4 plastic nails

Tap 2 plastic nails **N** into the bottom edge of each of the sides **9** and **10**.

Carefully stand the unit up for the next step.



Warning: The unit is heavy. Lift with care.

Assembly Instructions

Step 45

Fit the runners to the dividers

Note: You may need a short screwdriver to fit some of the runners.

a: Fit the runners **M b** to the left hand side of the dividers **11**.

The 1st screw **G** uses the 1st hole in from the front of the runner.

The 2nd and 3rd screws **G** use the holes that line up with the other panel holes.

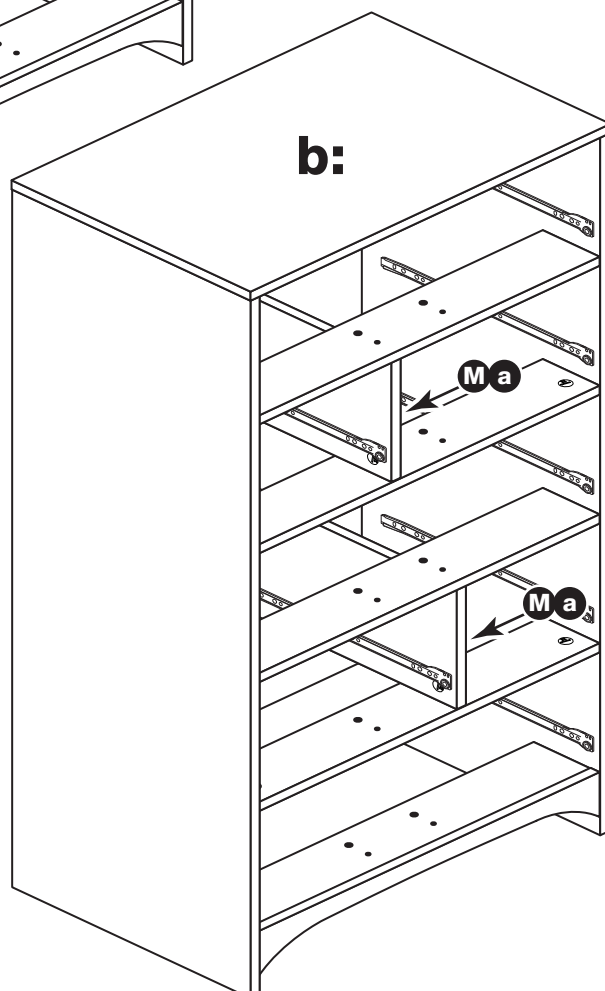
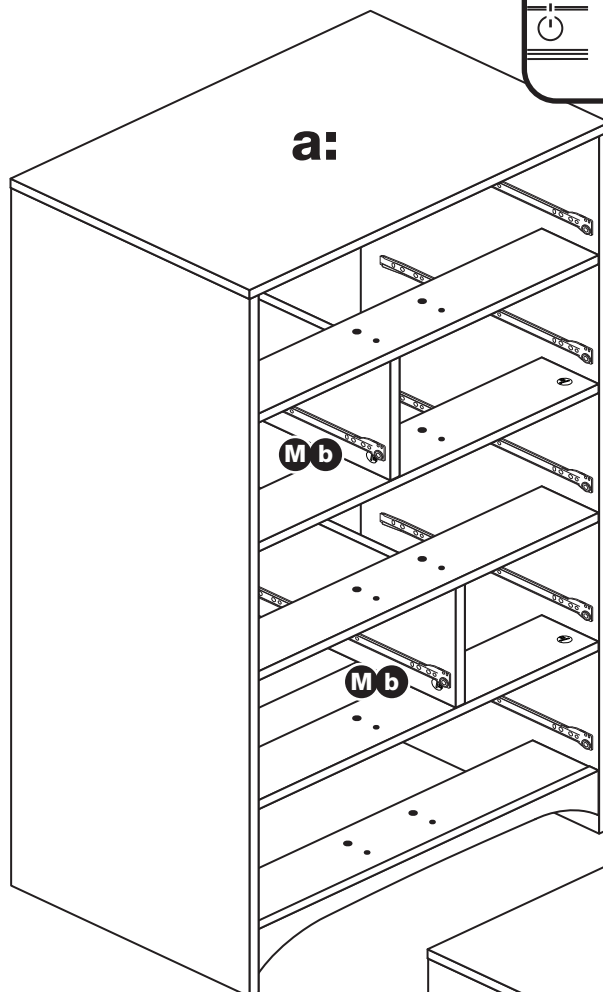
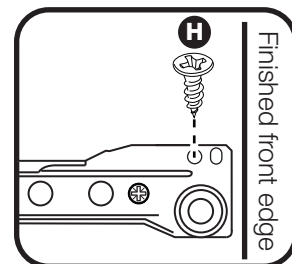
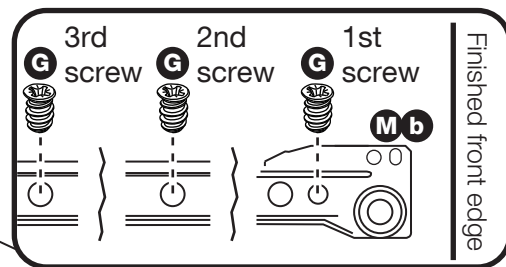
Fit a screw **H** into the 2nd hole in at the top of the runner **M b**.

b: Fit the runners **M a** to the right hand side of the dividers **11**.

The 1st screw **G** uses the 1st hole in from the front of the runner.

The 2nd and 3rd screws **G** use the holes that line up with the other panel holes.

Fit a screw **H** into the 2nd hole in at the top of the runner **M a**.



Assembly Instructions

Step 46

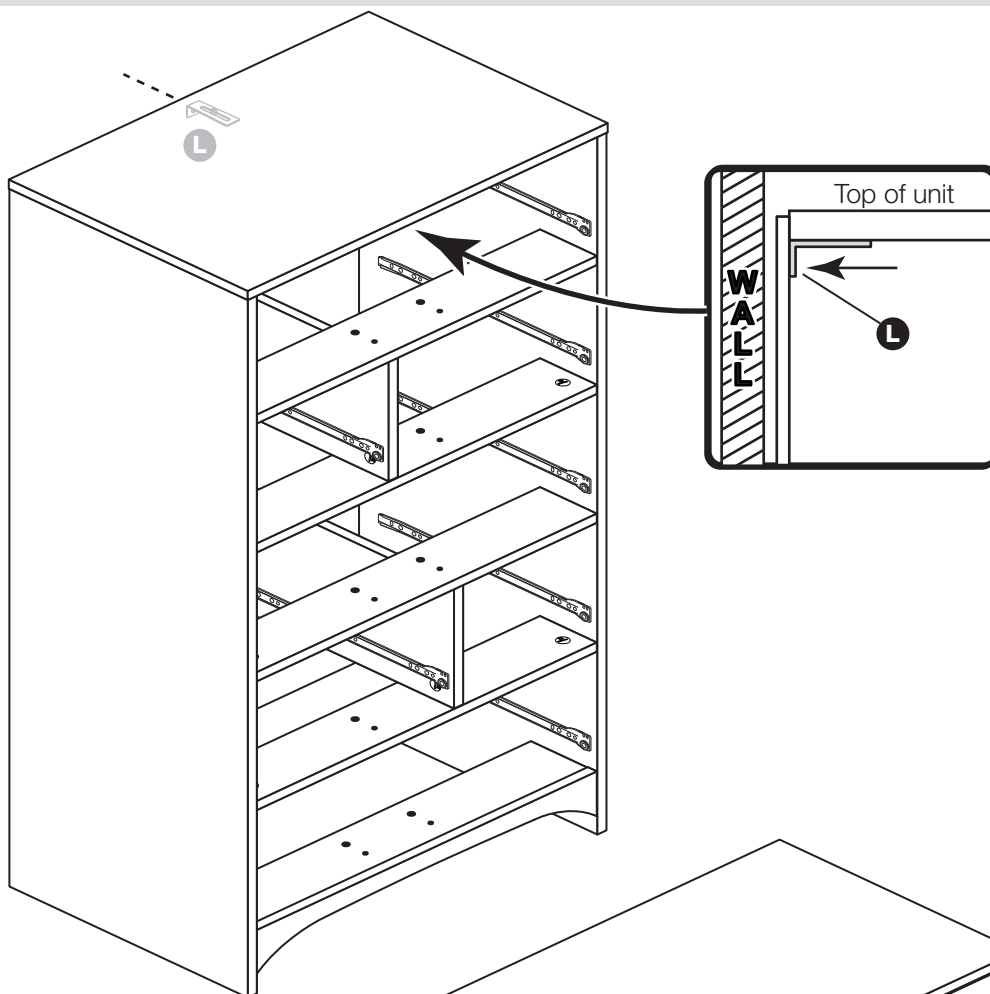
Secure unit to a wall

To prevent possible overbalancing we recommend that this unit is secured to a suitable wall by use of the metal bracket **L** fitted to the top **13**.

Fixings are not supplied as they will need to suit the wall type, and the length of screw will depend on the distance of the back of the unit to the wall.



Warning: Take care when drilling the wall that you do not drill into any pipes, wires etc. If in doubt, consult an expert.

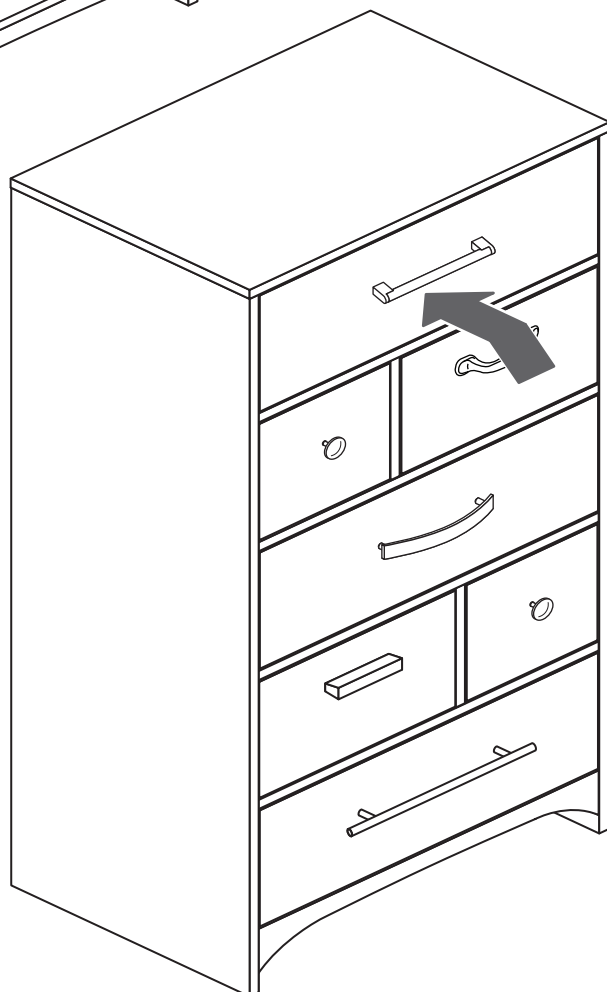
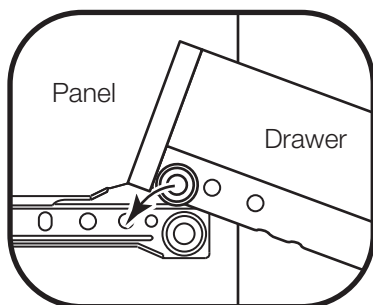


Step 47

Fit the drawers

Slide the wheels of the runners fitted to the drawers, over the wheels of the runners fitted to the side panels and push the drawers into position.

Assembly is complete



If you need help or have damaged or missing parts, call the Customer Helpline: 08456 400800 and quote the reference numbers on the component pages.

Argos Ltd, 489-499 Avebury Boulevard, Central Milton Keynes, MK9 2NW