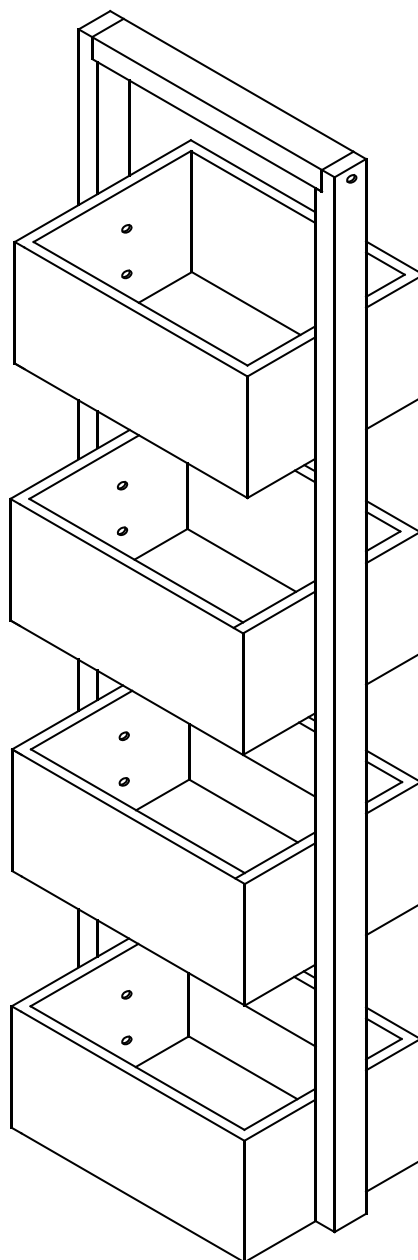


FREESTANDING STORAGE CADDY

Assembly Instructions - please keep for future reference

237/7566

226/2190



Dimensions

Width -28 cm

Depth -15 cm

Height -88 cm

Important – Please read these instructions fully before starting assembly

If you need help or have damaged or missing parts, call the

Customer Helpline: 03456 400 800



Safety and Care Advice

Important – Please read these instructions fully before starting assembly

- Check you have all the components and tools listed below and opposite.
- Remove all fittings from the plastic bags and separate them into their groups.
- Keep children and animals away from the work area, small parts could choke if swallowed.
- Make sure you have enough space to layout the parts before starting.
- Do not stand or put weight on the product, this could cause damage.
- Assemble the item as close to its final position (in the same room) as possible.
- Assemble on a soft level surface to avoid damaging the unit or your floor.
- Parts of the assembly will be easier with 2 people.



• We do not recommend the use of power drill/drivers for inserting screws, as this could damage the unit. Only use hand screwdrivers.

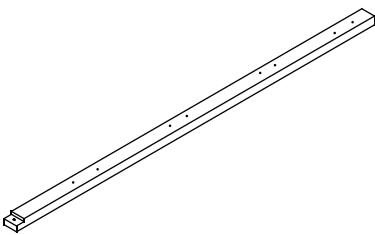
- Dispose of all packaging carefully and responsibly.

Care and maintenance

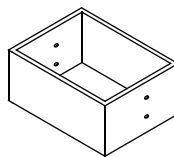
- Only clean using a damp cloth and mild detergent, do not use bleach or abrasive cleaners.
- From time to time check that there are no loose screws on this unit.
- This product should not be discarded with household waste. Take to your local authority waste disposal centre.

Components - Panels

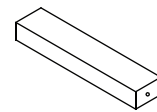
Please check you have all the panels listed below



1 Side Rail x 2
(88(h)cm x 3(d)cm)



2 Storage box x 4
(25(w)cm x 15(d)cm)



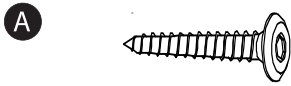
3 Top Rail x 1
(26(w)cm x 3(d)cm)

Components - Fittings

If you have damaged or missing components, call the Customer Helpline: 03456 400 800

Please check you have all the fittings listed below

Note: The quantities below are the correct amount to complete the assembly. In some cases more fittings may be supplied than are required.



16mm Hexagon head screw x 18

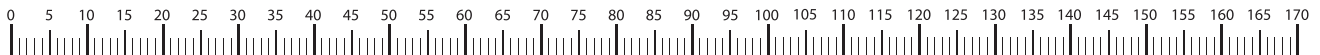


Hexagon Key x 1

Tools required

All tools required for assembly supplied

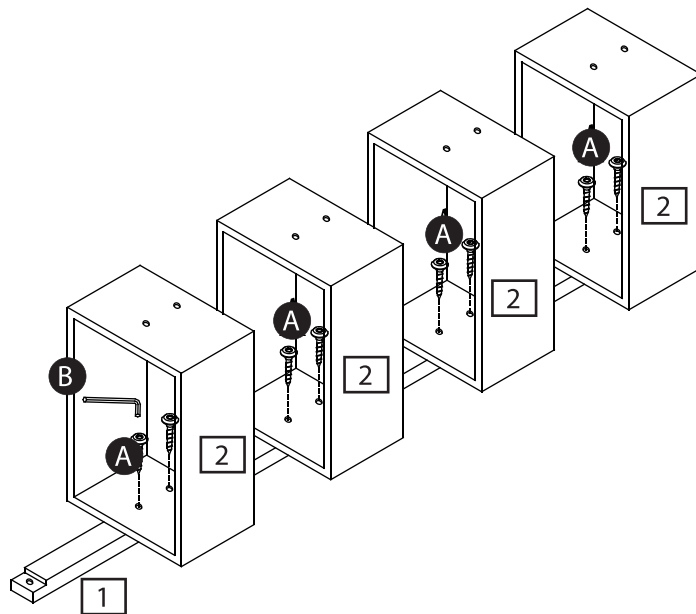
Ruler – Use this ruler to help correctly identify the screws



Assembly Instructions

Step 1

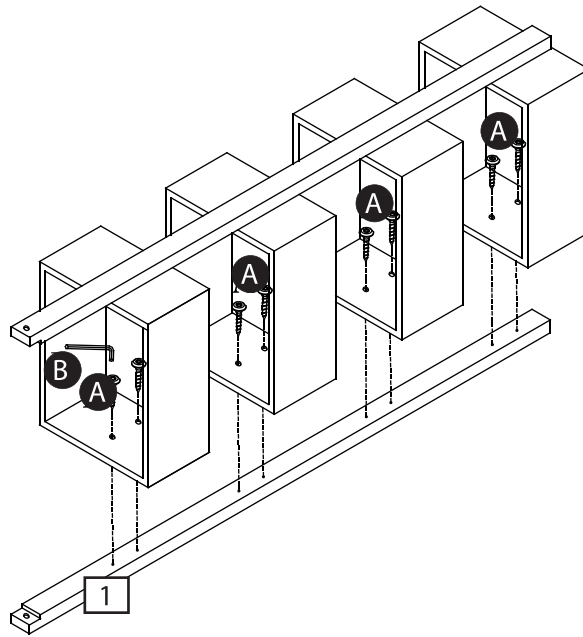
Connect 4 x storage boxes **2** to 1 x Side rail **1** with 8 x 16mm Hexagon head screws **A** as shown using the hexagon Key **B** supplied.



Assembly Instructions

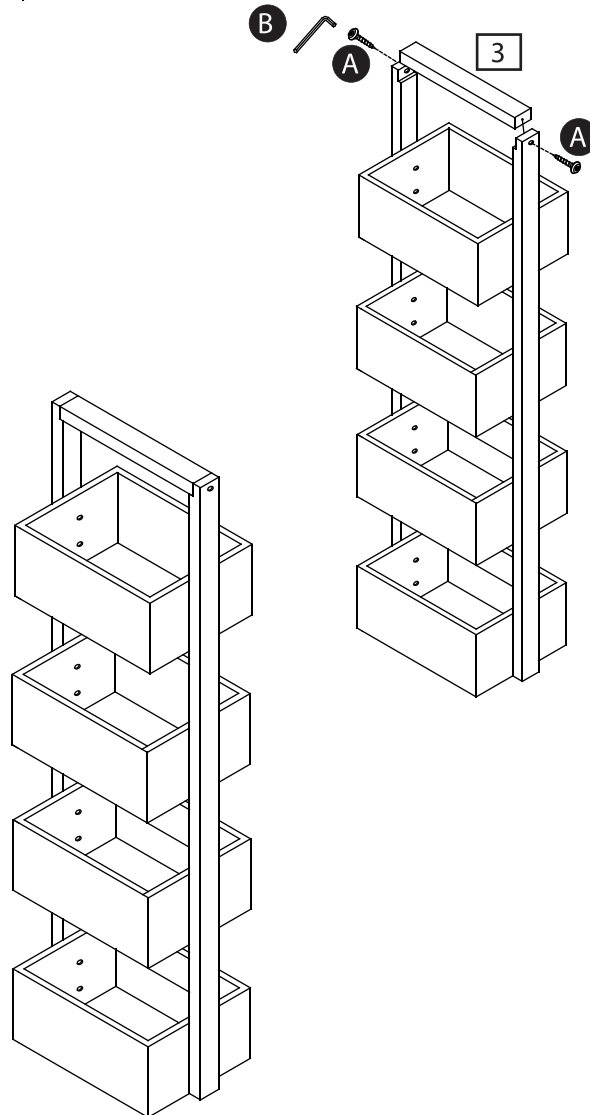
Step 2

Connect the the remaining side rail **1** to the section completed in **Step 1** with 8 x 16 mm Hexagon head screws **A** as shown using the Hexagon key **B** supplied



Step 3

Connect Top Rail **3** to the the unit with 2 x Hexagon head screws **A** in position shown using the Hexagon key **B** supplied.



Assembly complete

If you need help or have damaged or missing parts, call the Customer Helpline: 03456 400 800
Home Retail Group, 489-499 Avebury Boulevard, Saxon Gate West, Central Milton Keynes, Bucks, MK9 2NW