

COOKWORKS

MINI CHOPPER

INSTRUCTION MANUAL



READ THESE INSTRUCTIONS BEFORE USING THIS PRODUCT FOR THE FIRST TIME

IMPORTANT SAFEGUARDS

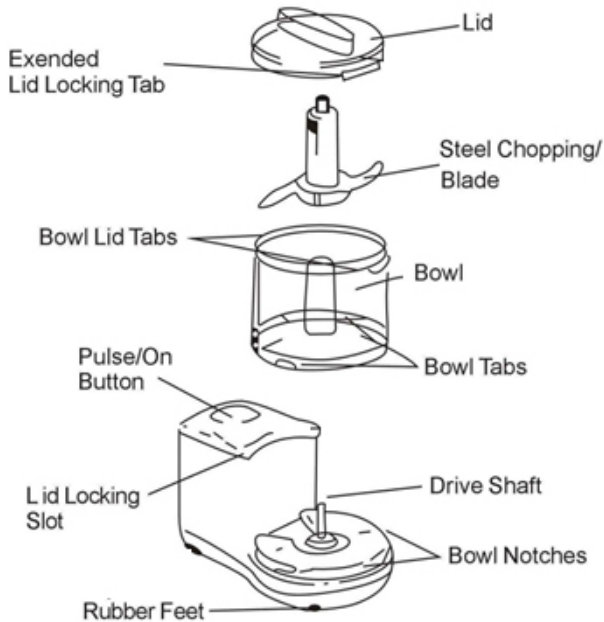
When using electrical appliances, basic safety precautions should always be followed including following:

- If the supply cord is damaged, it must be replaced by the manufacturer, its service agent or similarly qualified person in order to avoid a hazard.
- This appliance shall not be used by children from 0 to 8 years. This appliance can be used by children aged from 8 years and above if they are continuously supervised. This appliance can be used by people with reduced physical, sensory or mental capabilities or lack of experience and knowledge if they have been given supervision or instruction concerning use of the appliance in a safe way and understand the hazards involved. Keep the appliance and its cord out of reach of children aged less than 8 years. Cleaning and user maintenance shall not be made by children.
- Children should be supervised to ensure that they do not play with the appliance.
- Wash the bowl, lid and knife blade in warm soapy water and dry thoroughly. These parts are dishwasher safe.
- Use a damp cloth to clean the exterior of the base; Do not immerse the base in water.
- To protect against risk of electrical shock do not put cord plug and base in water or other liquid.
- Close supervision is necessary when any appliance is used near children.
- Unplug from outlet when not in use, before putting on or taking off parts, and before cleaning.
- Avoid contacting moving parts.

- Do not operate any appliance with a damaged cord or plug or after the appliance malfunctions, or is dropped or damaged in any manner.
- Return appliance to the nearest authorized service facility for examination, repair or electrical or mechanical adjustment
- The use of attachments not recommended or sold by the manufacturer may cause hazards.
- Do not use outdoors.
- Do not let cord hang over edge of table or counter, or touch hot surface.
- Do not place the unit on or near a hot gas or electric burner, or in a heated oven.
- Before removing cover, be sure the knife blade has stopped turning completely.
- To avoid possible injury do not insert, remove or touch blades when plugged into electrical outlet.
- To avoid injury, do not place knife blade on base without presence of the bowl - The blades are sharp. Handle carefully and keep out of reach of children.
- For safety, this unit will operate only when the lid is properly placed. Do not attempt to defeat this interlocking system.
- This unit is designed for processing small quantities of food for immediate consumption, larger quantities should be processed in small batches
- This unit is designed for "pulse action" use only. Avoid using it continuously for periods over 1 min.
- Do not operate the appliance when empty.
- Check bowl for presence of foreign objects before operating.
- To avoid fire hazards, do not operate in the presence of explosive or flammable fumes

CAUTION: Do not immerse in water.

KNOW YOUR APPLIANCE



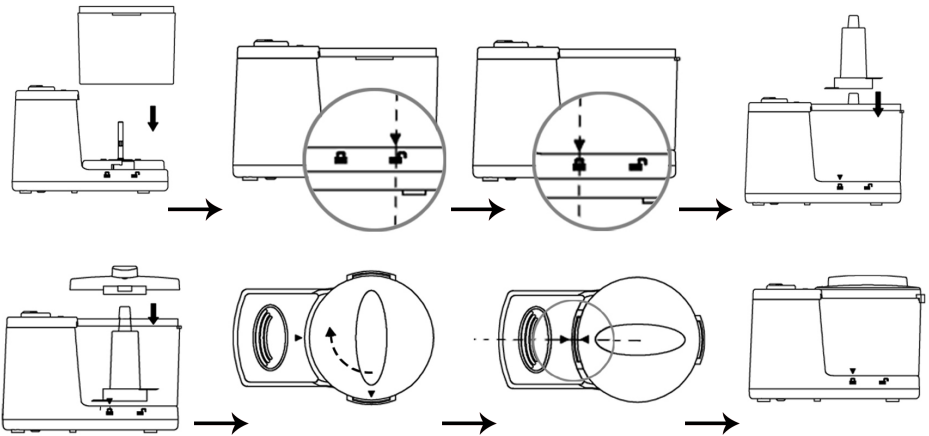
BEFORE FIRST USE

- Remove the lid, blade unit, food bowl and all packaging material from the retail box.
- Remove the lid and blade unit from the main unit Turn the food bowl in anti-clockwise direction and remove it from the main unit. Handle the sharp blade with care.
- Clean them thoroughly.
- Make sure the food bowl is completely dry before you start to use it.
- Place the unit on a flat surface. The rubber feet will prevent the unit from slipping during operation.
- Place the bowl onto the base. Line up the locking tabs on the bowl and the base, then turn the bowl clockwise until it is kept firmly in place.
- Slide the knife blade slowly down the shaft. Do not touch the blade as it is extremely sharp.

- Place the lid on the bowl. Note that the extended tab of the lid is on the same side as the base slot. Turn the lid fully clockwise.
- If the bowl and lid is not assembly correctly, it cannot be operate.

Note : your mini chopper is equipped with a safety feature, where the blade will not operate unless the lid and bowl are correctly engaged.

How to assemble the bowl and lid.



FOOD PREPARATION

- This appliance is not suitable for chopping hard items, i.e. ice cubes or frozen food.
- Remove all bones from the meat, stones from fruits, etc.
- Cut the food into small pieces (refer to recommendations table)
- The maximum quantity of food at one time should not be exceeded 150g for soft items or 100g for hard items, i.e. nuts
- It is highly recommend to fill the bowl to a half at a maximum.
- Keep the liquid content of food to be processed to a minimum as excess liquid can penetrate the motor.
- After preparation, open the lid and place the food into the bowl. Then close the lid. Ensure the lid is fully turned clockwise to activate the safety switch on the main unit.
- Refer to the recommendations table for advice on which maximum quantity,

food size and time for best results.

HOW TO USE THE MINI CHOPPER

- Put the blade unit inside the bowl. Rotate the blade slightly to ensure it is fully in position.
- Place food in the bowl. The Mini-chopper is designed to process about 1/2 cup of dry food at one time. Larger amounts should be processed in several small batches.
- Put the food into the food bowl according to the food preparation guideline.
- Place the lid on the bowl and turn clockwise until it is locked into position. If the bowl and lid are not securely locked, the appliance will NOT operate. This is a safety feature.
- Connect the plug to the mains.
- One hand hold the main unit and another hand press the switch button, the appliance will start to operate. Operate it in short bursts. Never allow the motor to run continuously for more than 6 seconds. This is especially important when processing sticky substances, i.e. Butter and cheese, as doing so may over-run the motor.
- For coarsely chopped foods, use repeated short bursts until the desired consistency is reached.

Chopping recommendations table

Food	Quantity	Time('s)	Preparation
Bread	1-2 slices	5-7	Two slices of bread Two slices of bread
Herbs	Handful	30	Wash, dry thoroughly
Onions	1-2 small	4-6	Peel onions, cut into 6-8 pieces
Garlic	1 or more large clove	5-7	Peel
Mush-rooms	3 piece/40 g	Pulse 3	Halve small ones

Carrots	2 medium (150 g)	Pulse3	Peel and cut into 1.5 cm lengths
Pepper	1 medium	5-6	Clean and quarter to fit bowl
Eggs (hard-Boiled)	Up to 3 eggs	4-6	Peel cut into squares
Chocolate	2 squares(25 g)	Pulse6-8	Cut into small squares.Pulse until desired texture is reached
Beef	130g(max)	15 sec	Cut into 2cm cube

Important note : Do not run the appliance continuously for more than 30 seconds. After 30 seconds of continuous use, let the unit cool for 3 minutes before the new cycles.

REMOVING THE FOOD

- Disconnect the appliance from the mains
- Be sure the blade has stopped turning completely before removing the lid.
- Lift the knife blade up before emptying the contents of the bowl
- Use a spatula to remove the processed food from the unit.

NOTE : DO NOT TRY TO REMOVE THE BOWL AND LID AS ONE UNIT, AS THIS COULD DAMAGE THE APPLIANCE. REMOVE THE LID FIRST AND THEN THE BOWL FROM THE MAIN UNIT.

SPECIAL HINTS IN THE OPERATION

- Never process hot foods, and especially hot liquids.
- Never process liquids or foods with a high liquid content as they may leak into the appliance motor.
- Do not process food containing hard objects which cannot be safely broken up by the blade.

- If the blade gets clogged, switch off, unplug from the mains and allow the unit to stop before clearing the obstruction.
- To reduce the risk of injury, never attach the blade without first securing the bowl properly in place.
- If you wish to scrape the contents of the bowl with a spatula, remove the blade first. **Never put your finger into the bowl**

CLEANING AND MAINTENANCE

- Unplug the appliance from the mains before cleaning.
- Clean the appliance after each use to prevent left over the food from sticking. The component can be washed in hot soapy water, with the exception of the body.
- Do not use abrasive or strong detergents.
- Care shall be taken when handling the sharp cutting blades, emptying the bowl and during cleaning.

Caution : never immerse the main unit or power cord into the water for cleaning.

STORING

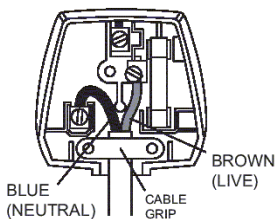
The appliance should not be stored while hot or plugged in. When not in use, allow the appliance to cool, then put it back into the box and store out of reach of children in safe, dry place.

CONNECTION TO POWER

- Before connecting, check that the voltage indicated on the appliance corresponds with the main voltage in your home. If this is not the case, consult your dealer and do not use.
- This appliance may be fitted with a non-rewirable plug. If you need to change the fuse in a non-rewirable plug, the fuse cover must be refitted. If the fuse cover is lost or damaged, the plug must not be used until a replacement is obtained.
- If the plug has to be changed because it is not suitable for your socket, or becomes damaged, it should be cut off and appropriate plug fitted following the wiring instructions. The plug removed must be disposed of safely as insertion into a mains socket is likely to cause an electrical hazard.
- If a non-rewireable plug is cut off it must be DESTROYED IMMEDIATELY. An electric shock hazard may arise if an unwanted non-rewireable plug is inadvertently inserted into a 13A socket outlet.
- This equipment must be disconnected from the mains when not in use. Do not allow this unit to be exposed to rain or moisture.

For your own safety read the following instructions carefully before attempting to connect this unit to the mains.

You should only plug the appliance into a 220V-240V AC, 50-60Hz supply. Connecting it to other power sources may damage the appliance.



The wires in this mains lead are coloured in accordance with the following code:

**BLUE = NEUTRAL
BROWN = LIVE**

IMPORTANT

The colours of the wires in the mains lead of this appliance may not correspond with the coloured markings identifying the terminals in your plug, proceed as follows:



Caution
To prevent electric shock disconnect from the mains before removing the cover

- The blue wire must be connected to the terminal marked with the letter N or coloured black.
 - The brown wire must be connected to the terminal marked with the letter L or coloured red.
 - No connection is to be made to the earth terminal of the plug.
- If a 13 Amp (BS1363) fused plug is used it must be fitted with a 13A fuse conforming to BS1362 and be ASTA approved.

If in doubt contact a qualified electrician

DISPOSAL INFORMATION



THIS MARKING INDICATES THAT THIS PRODUCT SHOULD NOT BE DISPOSED WITH OTHER HOUSEHOLD WASTES THROUGHOUT THE EU. TO PREVENT POSSIBLE HARM TO THE ENVIRONMENT OR HUMAN HEALTH FROM UNCONTROLLED WASTE DISPOSAL, RECYCLE IT RESPONSIBLY TO PROMOTE THE SUSTAINABLE REUSE OF MATERIAL RESOURCES. TO RETURN YOUR USED DEVICE, PLEASE USE THE RETURN AND COLLECTION SYSTEMS OR CONTACT THE RETAILER WHERE THE PRODUCT WAS PURCHASED. THEY CAN TAKE THIS PRODUCT FOR ENVIRONMENTAL SAFE RECYCLING.

GUARANTEE

This product is guaranteed against manufacturing defects for a period of 1 year.

This does not cover the product where the fault is due to misuse, abuse, use in contravention of the instructions, or where the product has been the subject of unauthorised modifications or alterations, or has been the subject of commercial use.

In the event of a problem with the product within the guarantee period please return it to your nearest Argos store.

If the item is shown to have had an inherent defect present at the time of sale, the store will provide you with a replacement.

Your statutory rights remain unaffected.

Guarantor; Argos Ltd
489 – 499 Avebury Boulevard
Central Milton Keynes
MK9 2NW