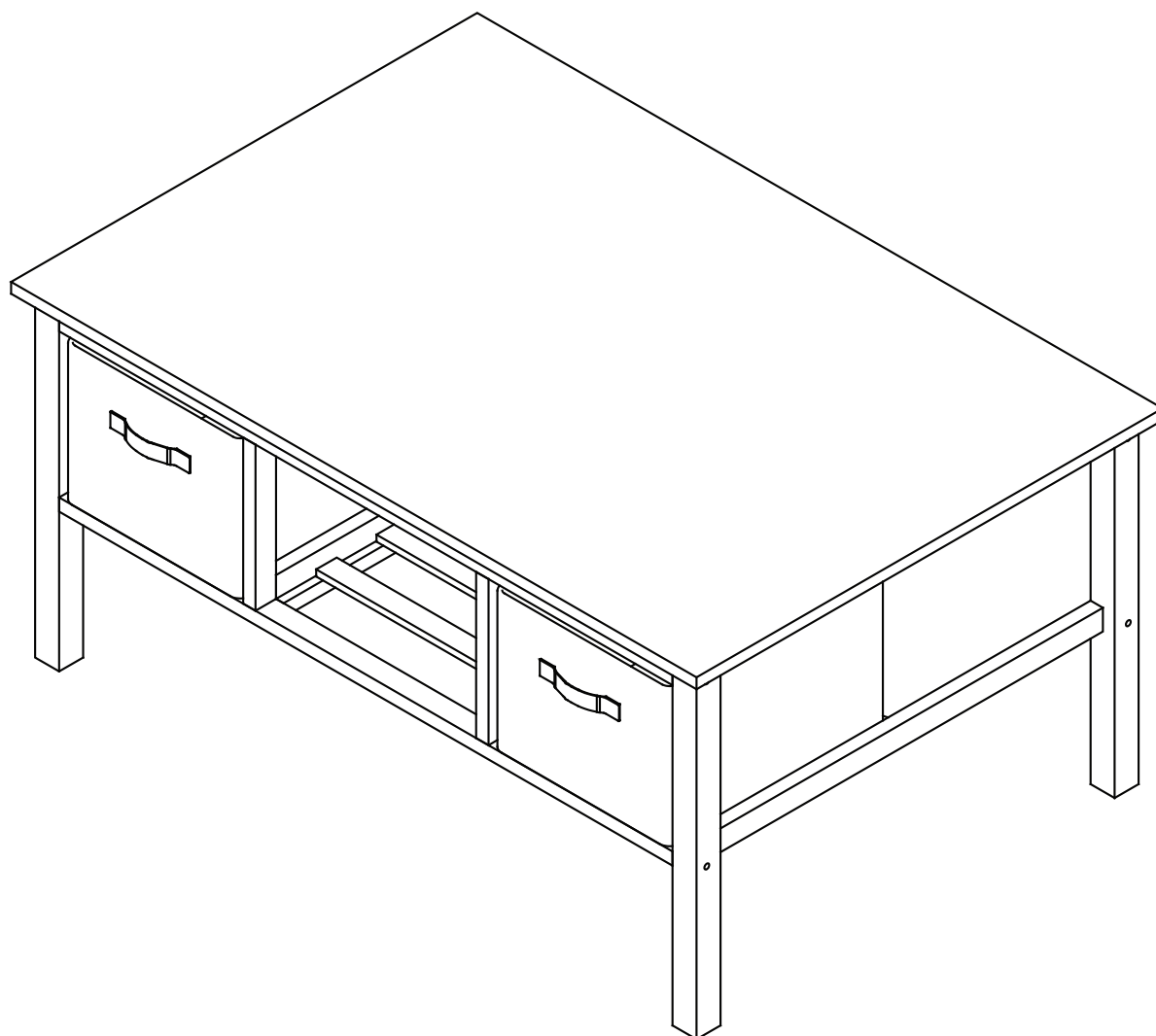


CANVAS STORAGE COFFEE TABLE

Assembly Instructions - Please keep for future reference

214/6601



Dimensions

Length - 100cm

Width - 68cm

Height - 48cm

Important – Please read these instructions fully before starting assembly

If you need help or have damaged or missing parts, call the Customer Helpline: 0845 640 0800



Safety and Care Advice

Important – Please read these instructions fully before starting assembly

- Check you have all the components and tools listed on pages 2 and 3.
- Remove all fittings from the plastic bags and separate them into their groups.
- Keep children and animals away from the work area, small parts could choke if swallowed.
- Make sure you have enough space to layout the parts before starting.
- Retain these instructions for future reference.

- Do not stand or put weight on the product during assembly, this could cause damage.
- Assemble the item as close to its final position (in the same room) as possible.
- Assemble on a soft level surface to avoid damaging the unit or your floor.
- Parts of the assembly will be easier with 2 people.



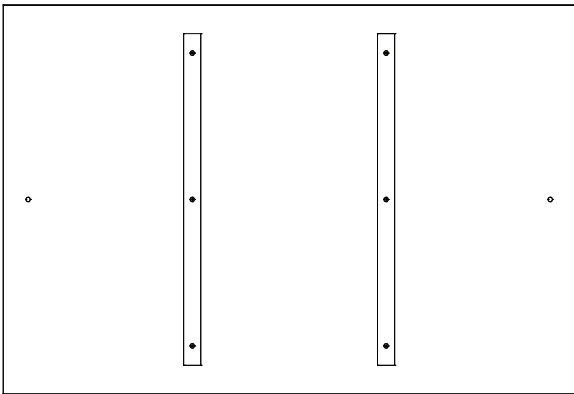
- We do not recommend the use of power drill/drivers for inserting screws, as this could damage the unit. Only use hand screwdrivers.
- Dispose of all packaging carefully and responsibly.
- Do not use this item if any components are missing or damaged.

Care and maintenance

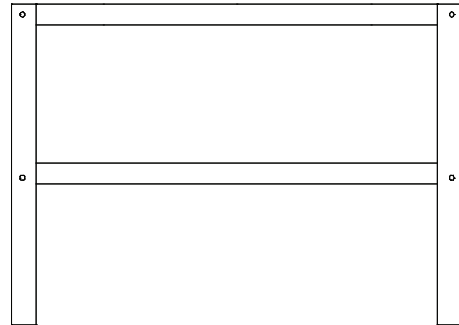
- Only clean using a damp cloth and mild detergent, do not use bleach or abrasive cleaners.
- From time to time check that there are no loose screws on this unit.
- This product should not be discarded with household waste. Take to your local authority waste disposal centre.

Components - Panels

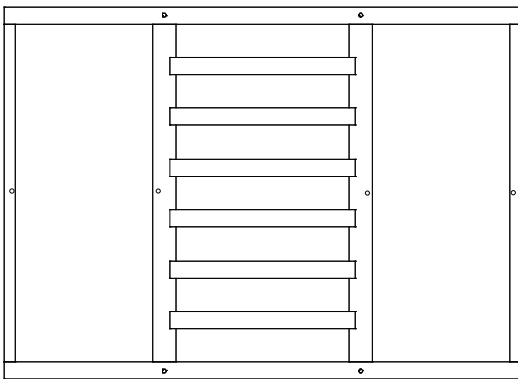
Please check you have all the panels listed below



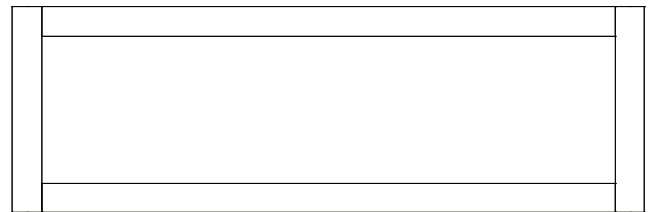
1 Top (100 x 68cm)



2 Sidex2 (64.5 x 46.5cm)



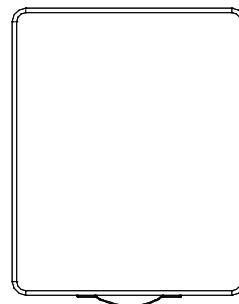
3 Bottom (89.5 x 64.5cm)



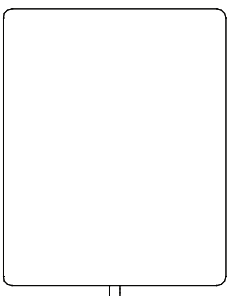
4 Middle dividerx2 (64.5 x 21cm)



5 Up railx2 (89.5 x 3cm)



6 Drawerx4 (32 x 26cm)



7 Drawer bottomx4 (30 x 24cm)

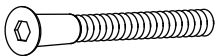






Components - Fittings

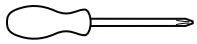
If you have damaged or missing components, call the Customer Helpline: 0845 640 0800

Please check you have all the fittings listed below

Note: The quantities below are the correct amount to complete the assembly. In some cases more fittings may be supplied than are required.

<p>A </p> <p>M7x55 screw x 16</p>	<p>B </p> <p>Allenkey x 1</p>	<p>C </p> <p>Wood dowel \varnothing 8 x 2</p>
<p>D </p> <p>\varnothing 3.5 x 25mm screw x 12</p>	<p>E </p> <p>Wood dowel \varnothing 6x 4</p>	

Tools required



Phillips screwdriver
(medium)



Ruler/tape
measure



Small
hammer

Ruler - Use this ruler to help correctly identify the screws

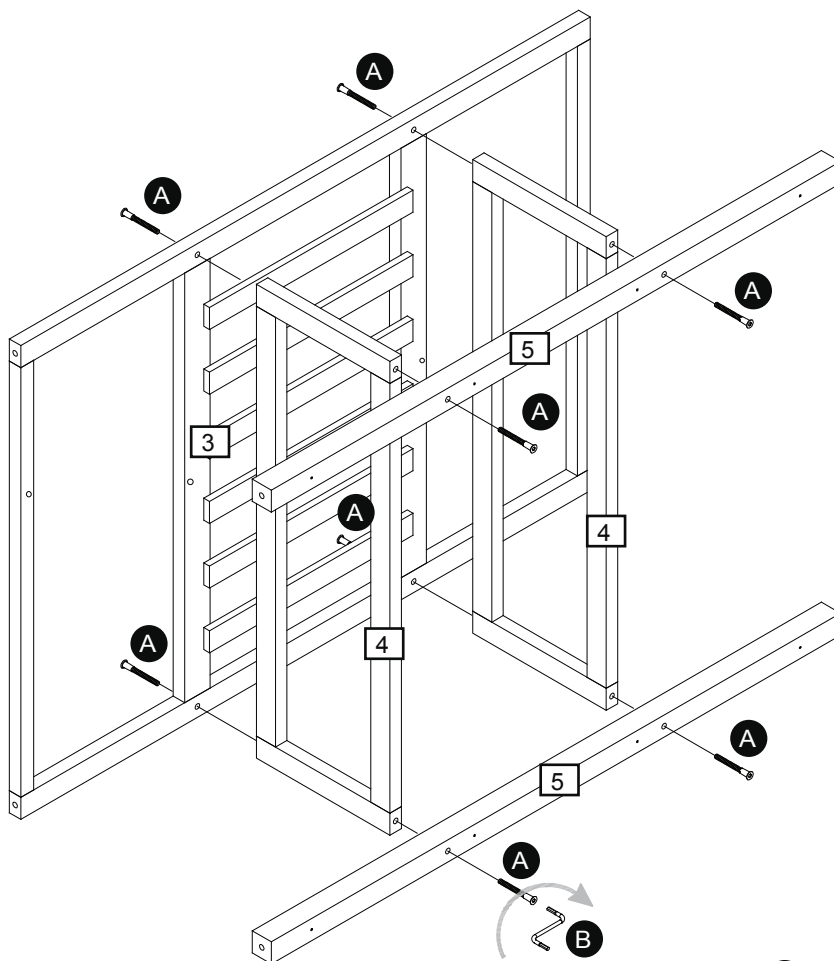
0 5 10 15 20 25 30 35 40 45 50 55 60 65 70 75 80 85 90 95 100 105 110 115 120 125 130 135 140 145 150 155 160 165 170

Assembly Instructions

Step 1

Attaching divider

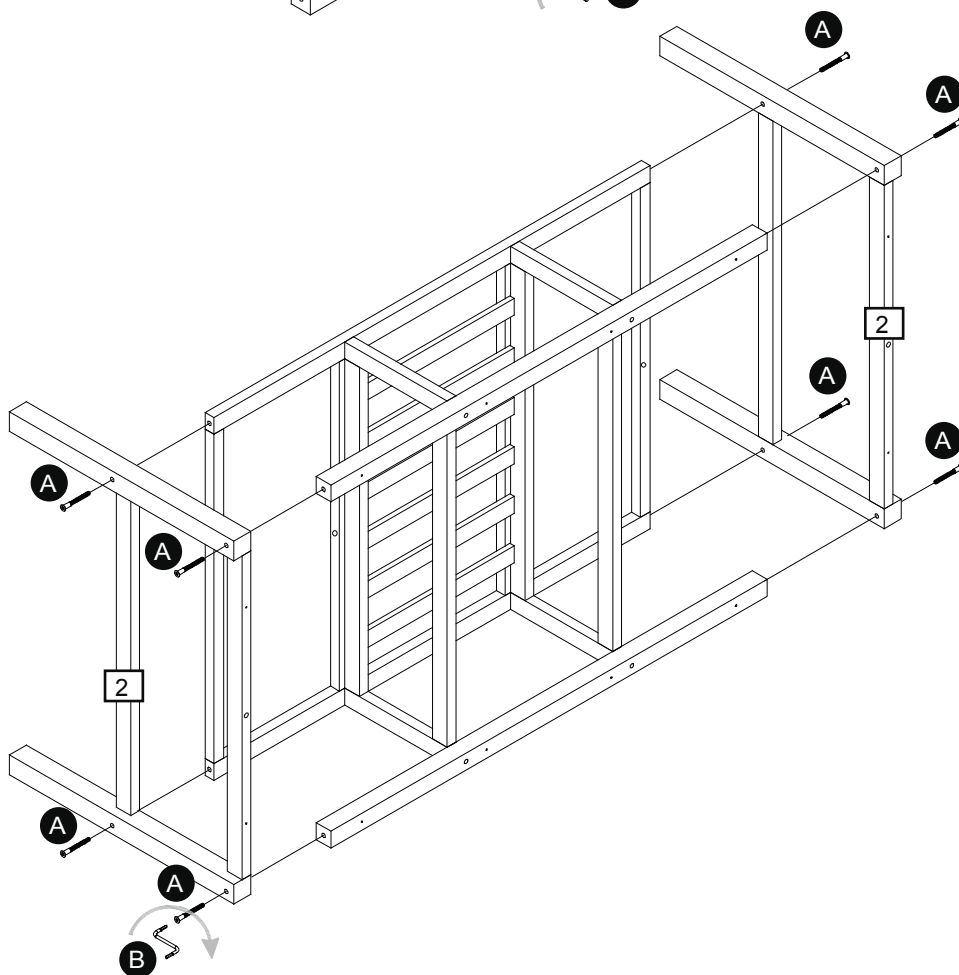
Connect up rails **5** and bottom **3** to the middle divider **4** using screw **A**. Tighten the screw with allenkey **B**.



Step 2

Attaching side

Connect right and left side **2** to the body using screw **A**. Tighten the screw with allenkey **B**.



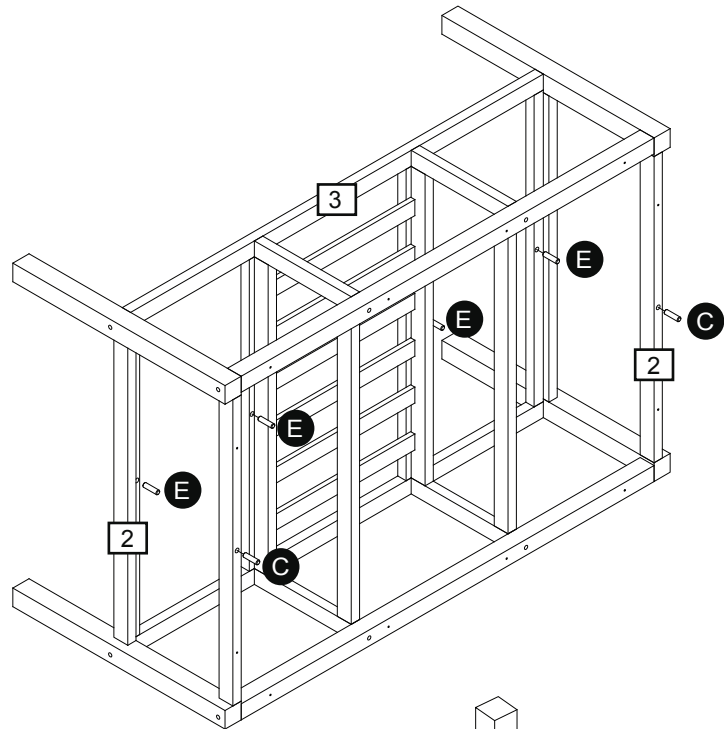
Assembly Instructions

Step 3

Attaching top

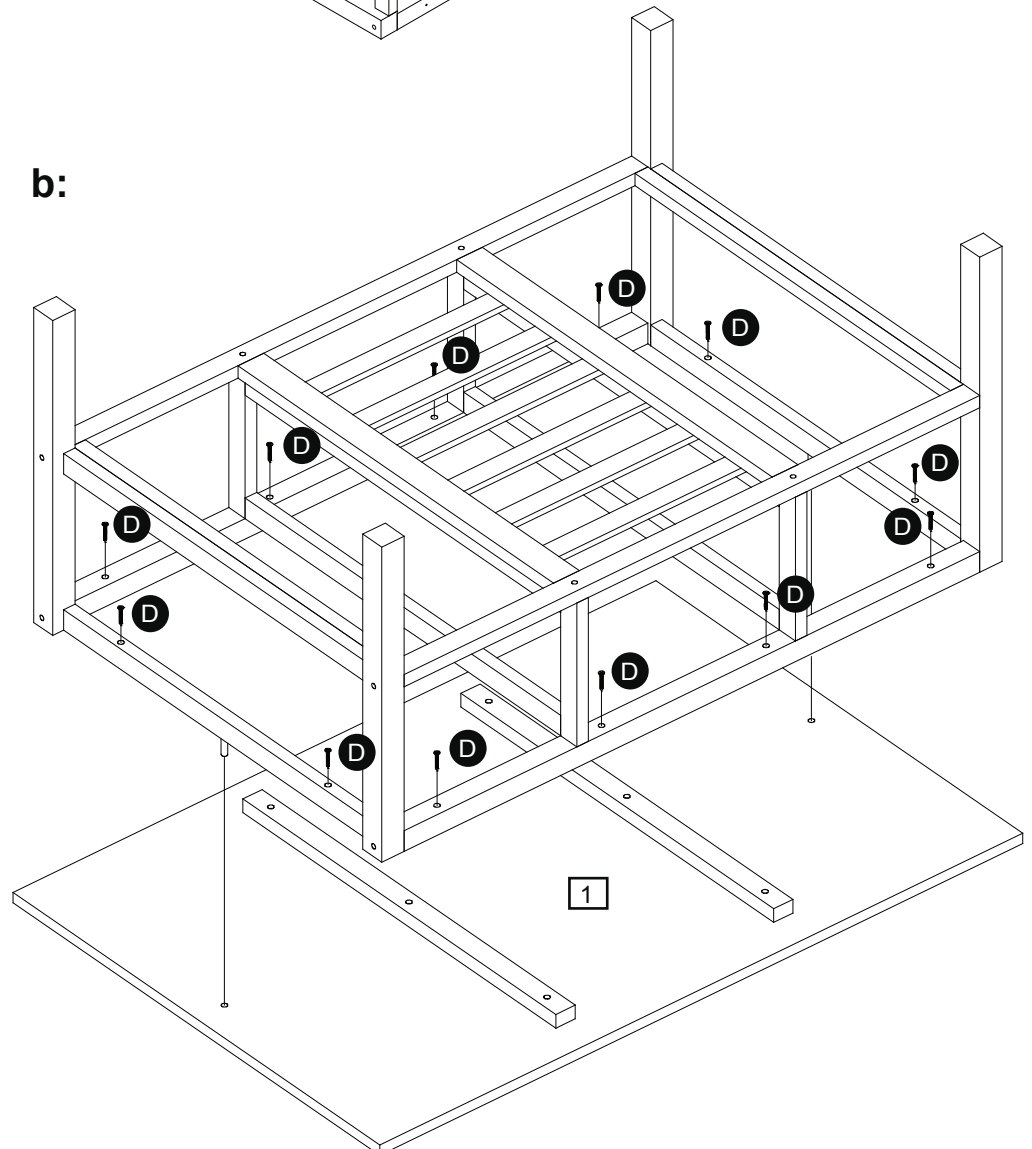
a: Insert wood dowels **C** into left /right side **2**, and insert wood dowels **E** into bottom **3**.

a:



b: Connect top **1** to the frame using screw **D**.

b:



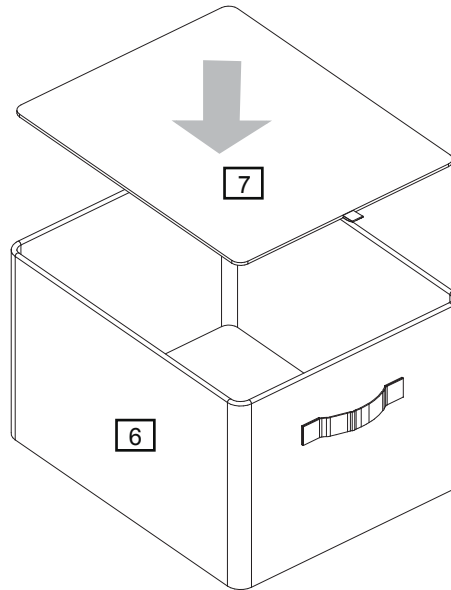
Assembly Instructions

Step 4

Drawers

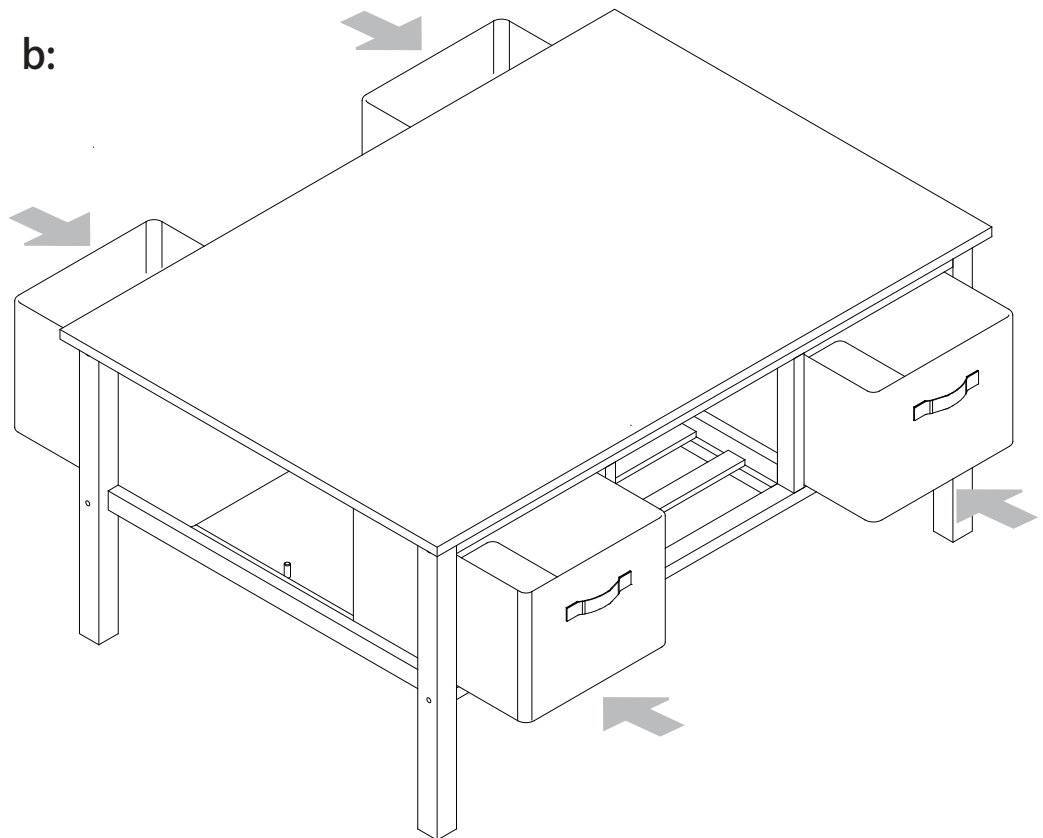
a: Put drawer bottom **7**
into drawer **6**

a:



b: Turn the table over,
then put the assembled
drawers into coffee table.

b:



Assembly is complete.

If you need help or have damaged or missing parts, call the Customer Helpline: 0845 640 0800
Argos Ltd MK9 2NW