

Montgomery Ottoman bed

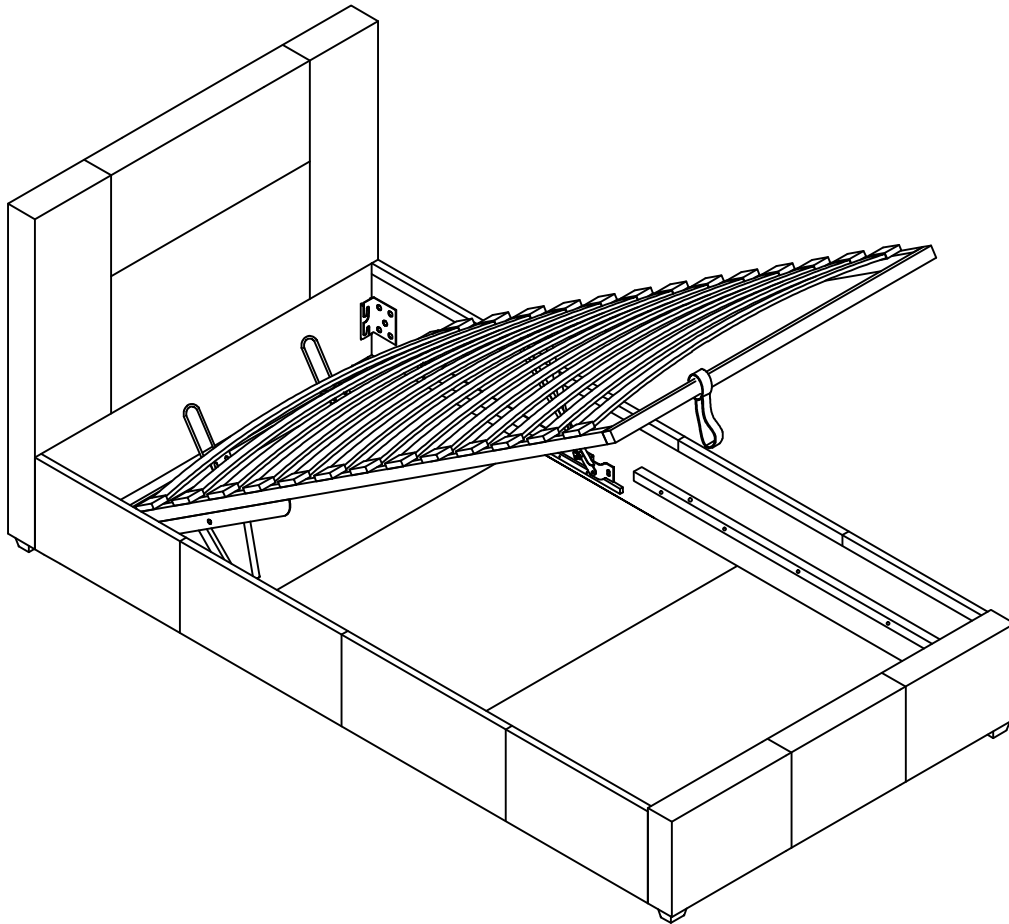
Assembly Instructions - Please keep for future reference

214/5482

257/6422

239/5713

hygena



Dimensions (3')

Length - 202.5 cm

Width- 100 cm

Height - 84.5 cm

If you need help or have damaged or missing parts, call the **Customer Helpline: 0345 6400 800**

Issue 1- 06-10-14



Safety and Care Advice

Important - Please read these instructions fully before starting assembly

Check you have all the components and tools listed on pages 2, 3 and 4.

Remove all fittings from the plastic bags and separate them into their groups.

Keep children and animals away from the work area, small parts could choke if swallowed.

Make sure you have enough space to layout the parts before starting.

Assemble the item as close to its final position (in the same room) as possible.

Assemble on a soft level surface to avoid damaging the unit or your floor.

Assembly requires 2 people.

Do not fully tighten bolts until the whole bed is assembled. Do not overtighten the nuts to avoid causing damage to the threads.



We do not recommend the use of power drill/drivers **for inserting screws**, as this could damage the unit. Only use hand screwdrivers and Allen keys.

Dispose of all packaging carefully and responsibly.

Care and maintenance

Only clean using a damp cloth and mild detergent, do not use bleach or abrasive cleaners.

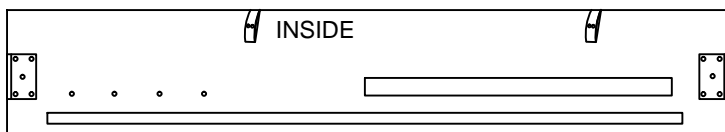
From time to time check that there are no loose screws on this unit.

This product should not be discarded with household waste. Take to your local authority waste disposal centre.

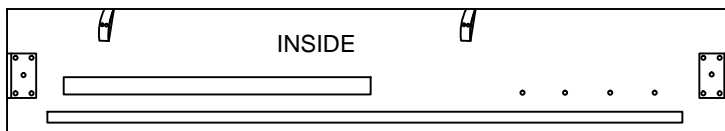
Components - Parts

If you have damaged or missing components.
call the **Customer Helpline**: 0345 6400 800

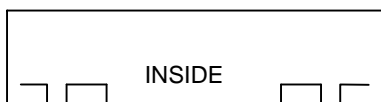
Please check you have all the parts listed below



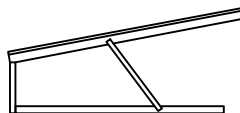
1 Right side rail
(1930*300mm)



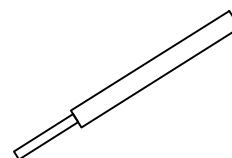
2 Left side rail
(1930*300mm)



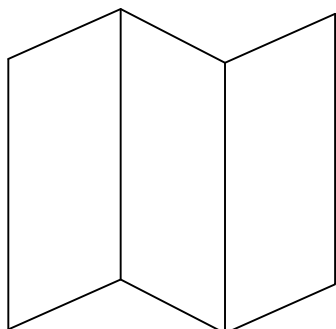
4 Footboard
(1000*300mm)



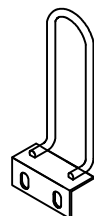
5 Hinges x 2
(750*115mm)



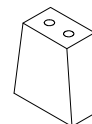
6 Piston x 2
(420mm)



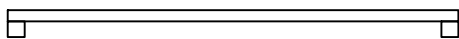
7 Base panel
(1930*930mm)



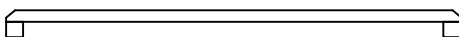
8 Mattress support
bracket x 2
(ϕ 5*90mm)



9 Feet x 4
(62*33*41.6mm)



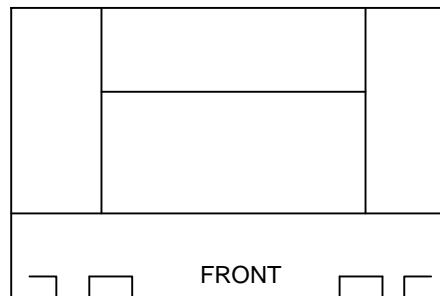
10 Ottoman end frame (Headboard) x 1
(920*95mm)



11 Ottoman end frame (Footboard) x 1
(920*95mm)



12 Ottoman frame (Sides) x 2
(1820*30mm)



3 Headboard
(1000*800mm)

Components - Parts

If you have damaged or missing components.
call the **Customer Helpline**: 0345 6400 800

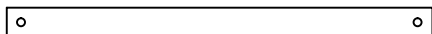
Please check you have all the parts listed below



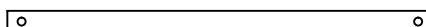
13 Bentwood Slats x 14 (915*9*55mm)



14 Base Support x 4 (120*20mm)



15 Wooden support railx 2 (940*60mm)



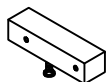
16 Metal support rail x 1 (940*20mm)



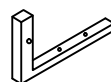
17 Slat caps x 28 (5.5mm)



18 Fabric strap (240*40mm)



19 Ottoman frame support x 1
(100*30mm)






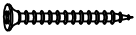


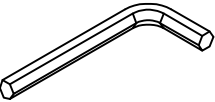


20 Corner bracket x 4
(120*85mm)

Components - Fittings

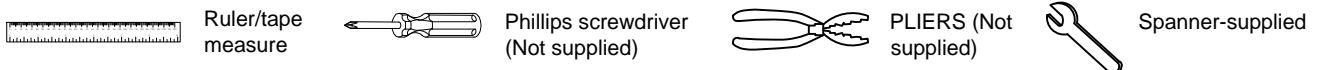
If you have damaged or missing components, call the **Customer Helpline: 0345 6400 800**

Please check you have all the fittings listed below

Note: The quantities below are the correct amount to complete the assembly. In some cases more fittings may be supplied than are required.

<p>A</p>  <p>45mm 5/16" Bolt x 2</p>	<p>B</p>  <p>25mm 5/16" Bolt x 16</p>	<p>C</p>  <p>15mm 1/4" Bolt x 24</p>
<p>D</p>  <p>32mm M4 Wood screw x 28</p>	<p>E</p>  <p>Nut x 4</p>	<p>F</p>  <p>5/16" Flat washer x 10</p>
<p>G</p>  <p>5mm Allen key x 1</p>	<p>H</p>  <p>4mm Allen key x 1</p>	<p>I</p>  <p>Spanner x 1</p>

Tools required



Ruler - Use this ruler to help correctly identify the screws



Assembly Instructions

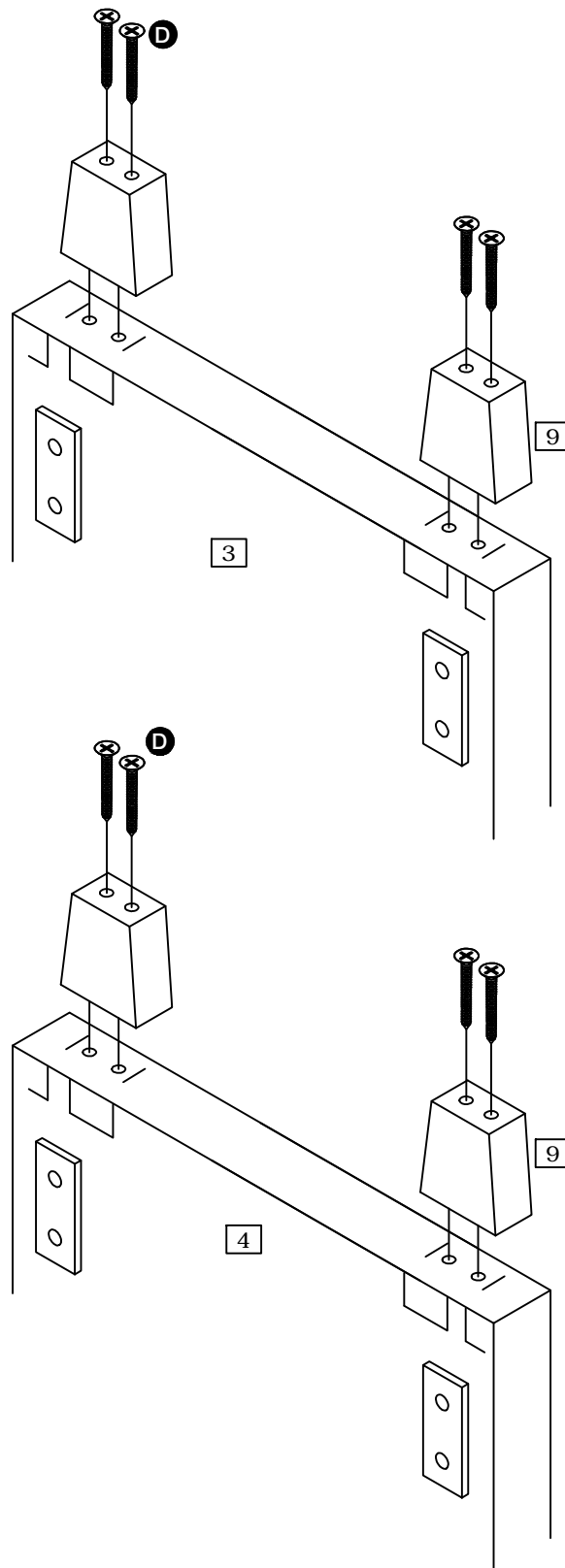
Step 1

Attaching feet

a: Attach 2 x Feet **9** to the underside of the headboard **3** using screws **D** as shown.

Repeat on the underside of the footboard **4**.

Note: The position is outlined.

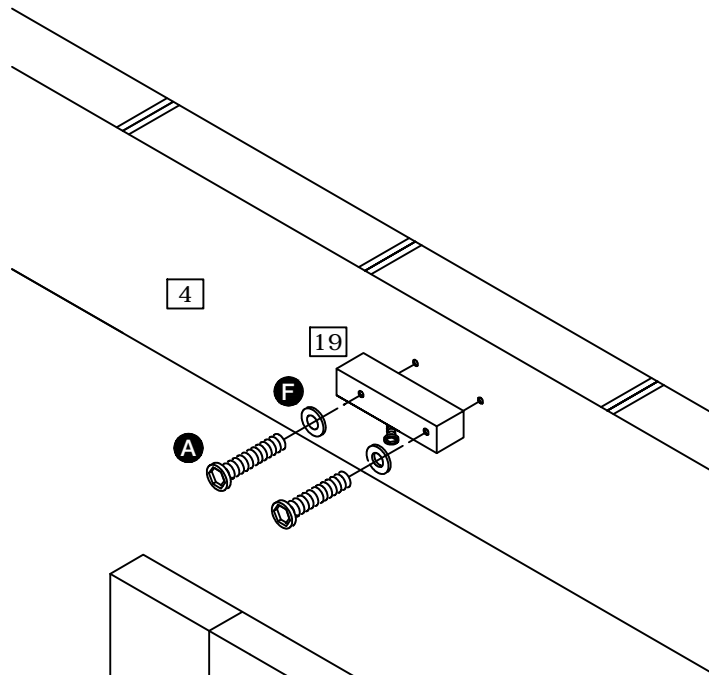


Assembly Instructions

Step 2

Preparing footboard

Attach the ottoman frame support **19** to the footboard **4** using fixings **A** and **F** as shown.

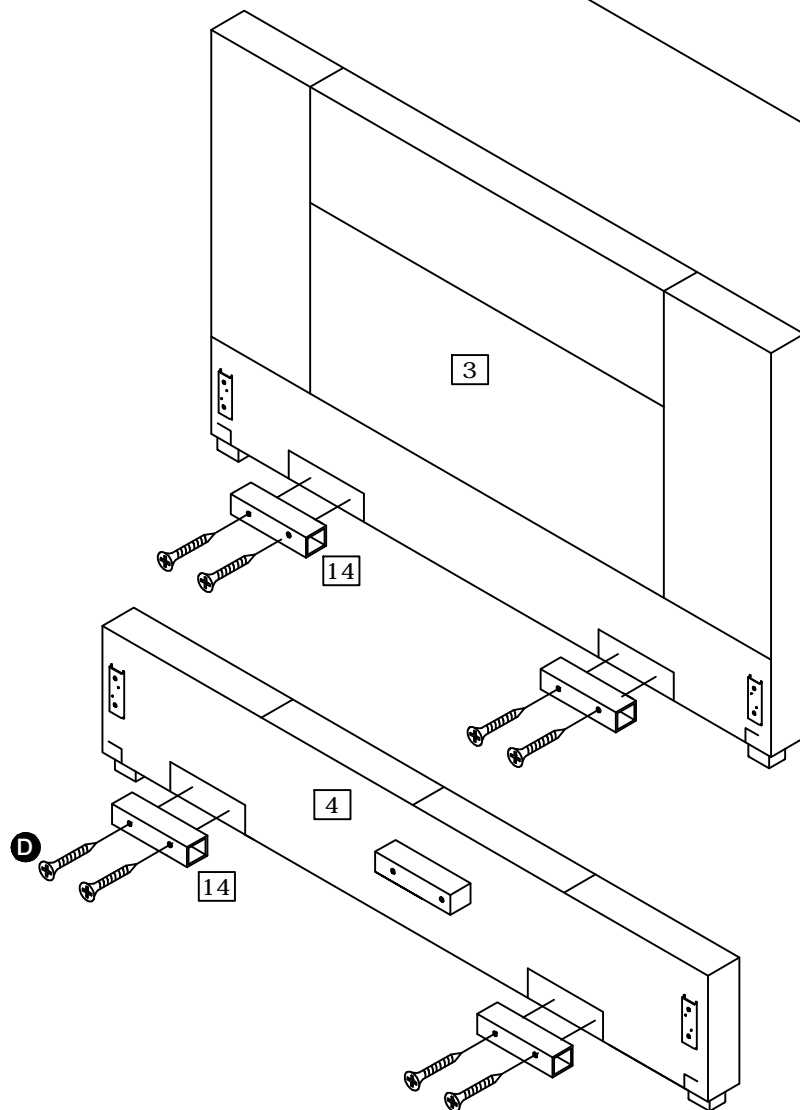


Step 3

Preparing footboard and headboard

Attach base supports **14** to the footboard **4** and headboard **3** as shown using screws **D**.

Note: The positions should be outlined.



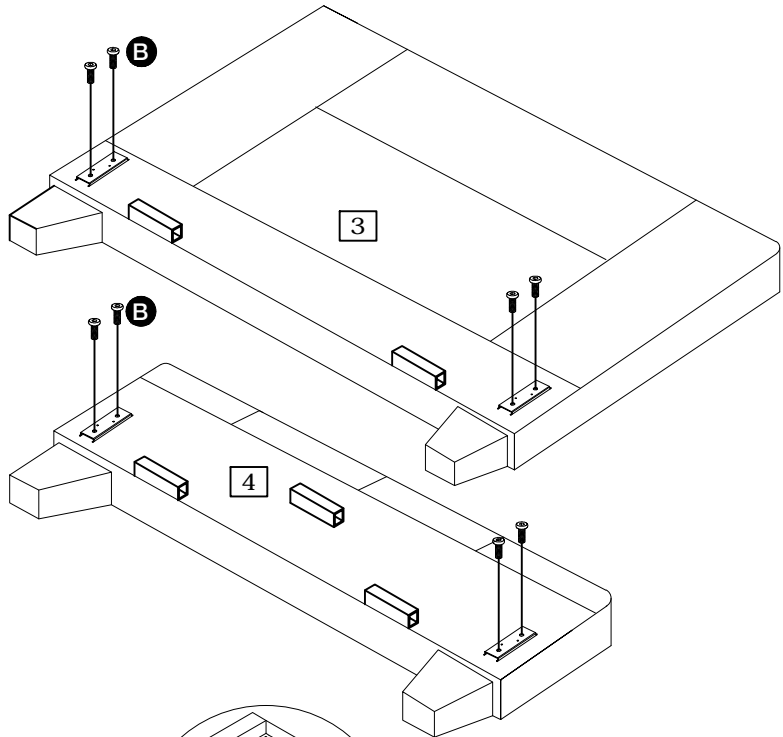
Assembly Instructions

Step 4

Attaching side rails

a: Loosely fit bolts **B** into headboard **3** and footboard **4** as shown.

a:



b: With help, raise the headboard **3** into the standing position.

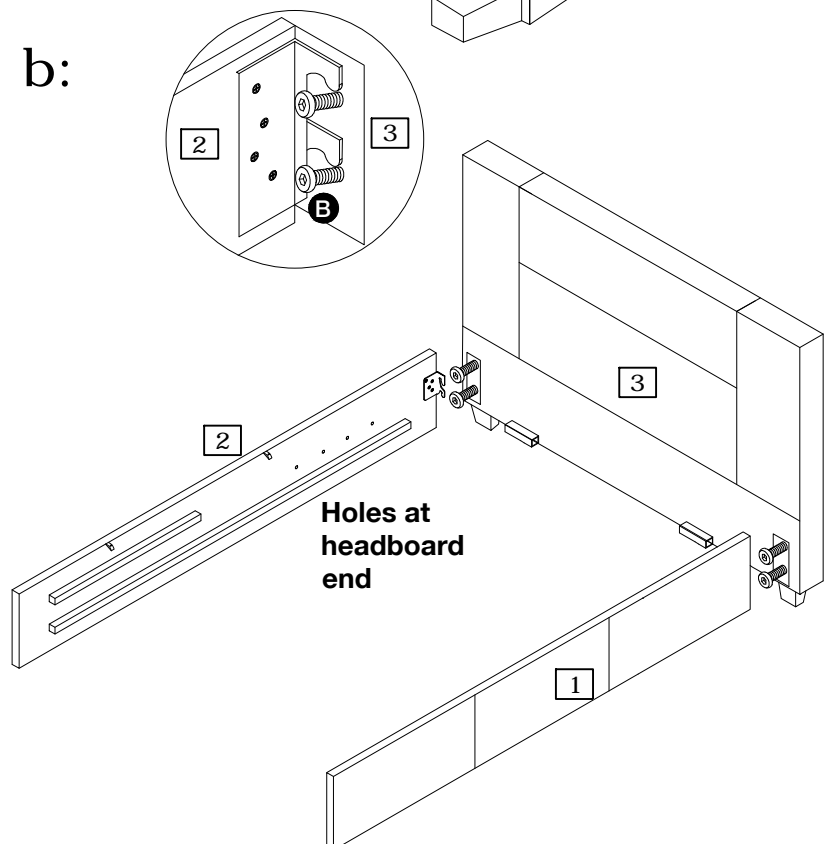
Hang the metal brackets on the end of the side rails **1** and **2**, over the bolts in the headboard **3**.

Note: Ensure the 4 holes on the inside of each side rail are located at the headboard end as shown.

Note: Do not fully tighten bolts **B** at this stage. **Finger tighten only.**

Repeat to assemble footboard **4**.

b:



Assembly Instructions

Step 5

Preparing base

a: Assemble corner brackets **20** in each corner using screws **D**.

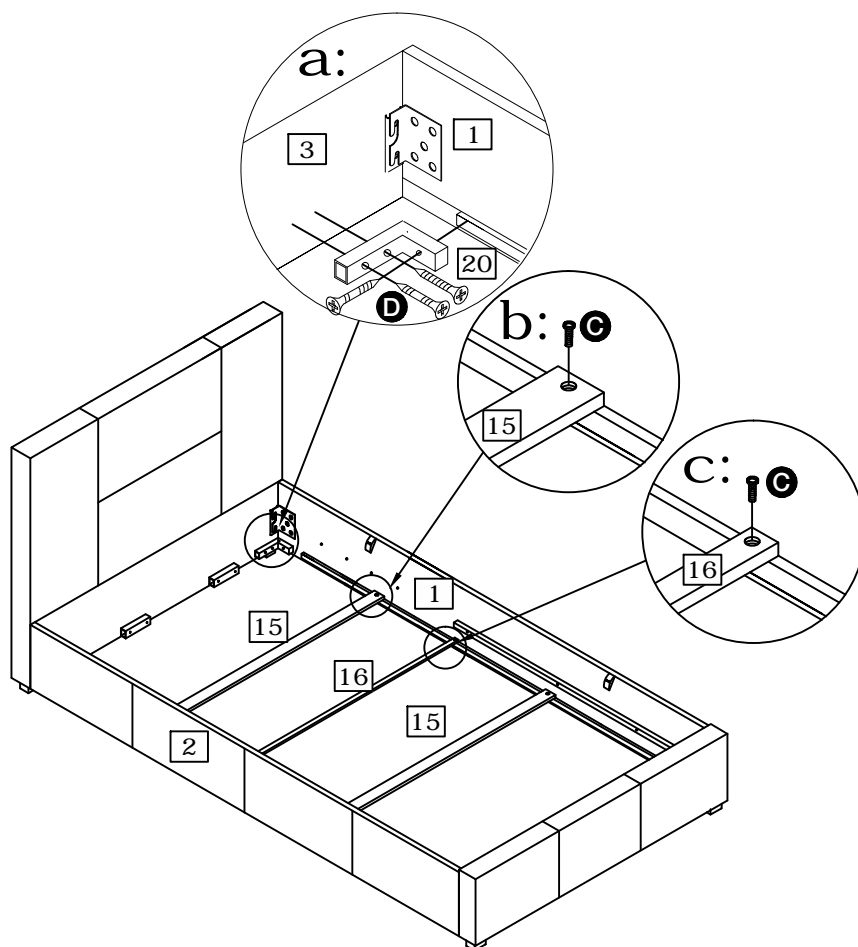
Note: Ensure these are at the same height as all other metal support bars.

The positions should be outlined.

b: Attach the wooden support rails **15** in between side rails **1** and **2** using screws **C**.

c: Attach the metal support rail **16** in between side rails **1** and **2** using screws **C**.

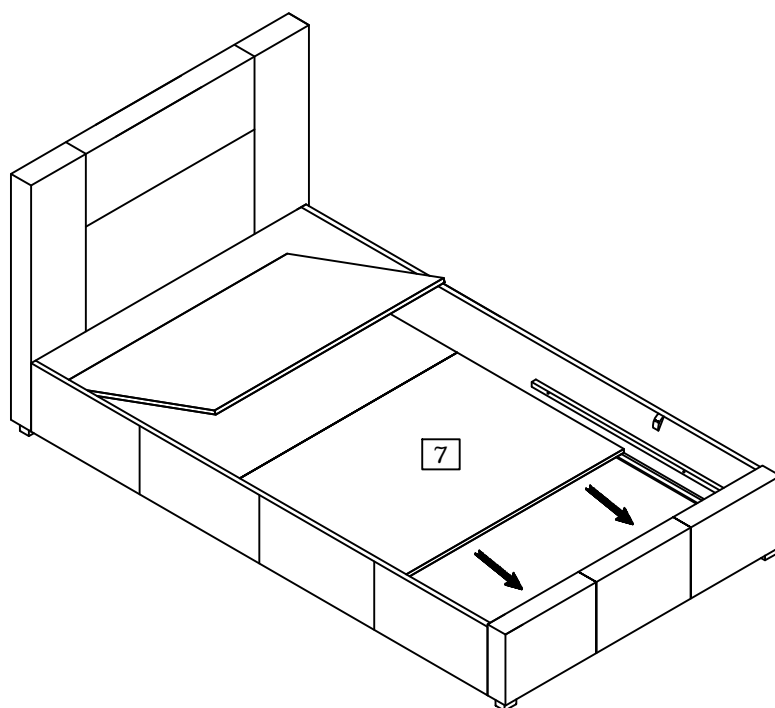
Finally, fully tighten all fixing points from previous step 4.



Step 6

Completing base

With help, carefully open out base panel **7** and place it inside the bed frame as shown.



Assembly Instructions

Step 7

Attaching folding hinges

a: Secure the hinges **5** to the side rails **1** & **2** using bolts **C** as shown.

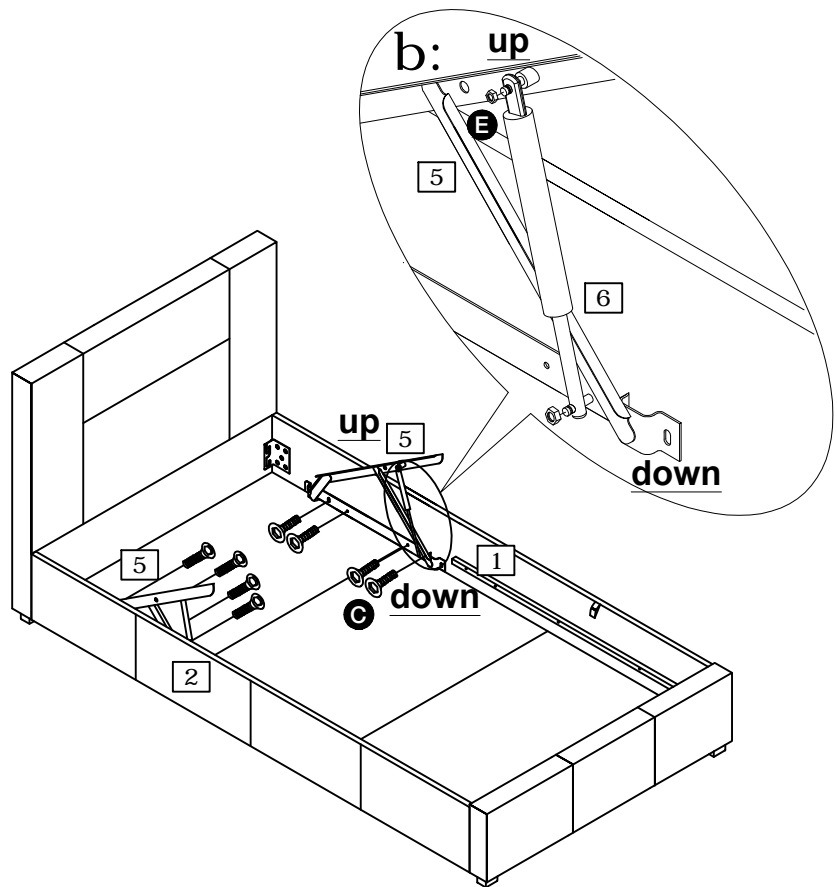
Note: Ensure the hinges are fitted the correct way around as shown.

b: Locate pistons **6** onto hinges **5** as shown.

Note: Ensure the "smaller" tube is facing down as shown.

Secure the pistons using Nuts **E** at both ends.

Note: Use Spanner **I** to tighten Nut **E**.



Step 8

Assembling ottoman frame

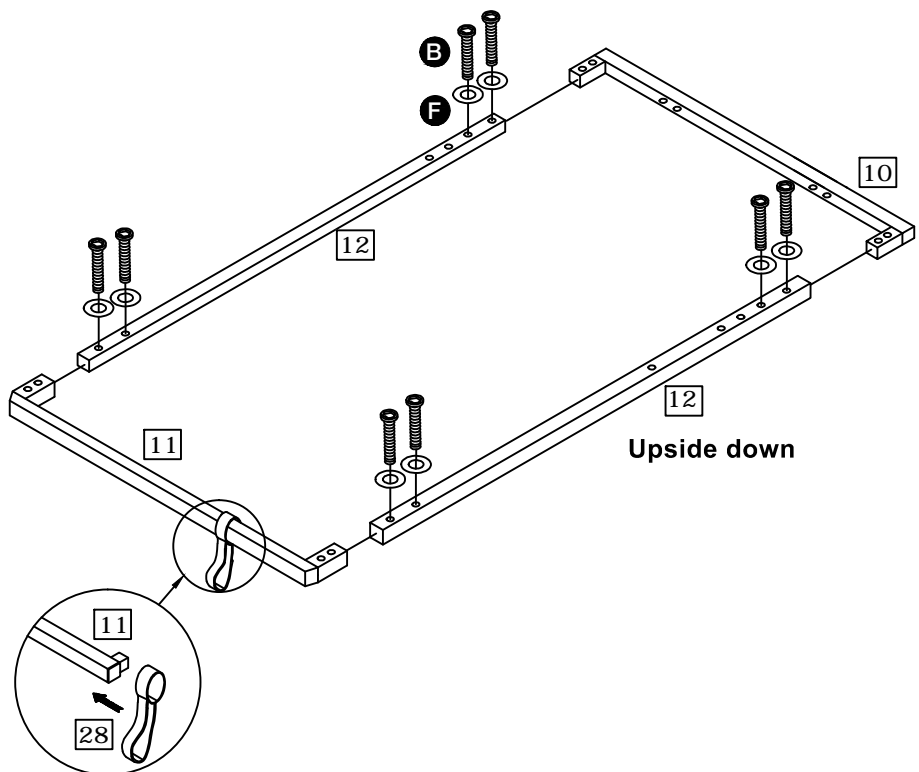
Assemble ottoman frame components **10**, **11** and **12** together as shown.

Note: Slide fabric strap **18** over end frame **11** before assembly.

Note: Secure the assembly using fixings **B** and **F** as shown.

Important

Do not fully tighten screws **B** at this stage. Finger tighten only.



Assembly Instructions

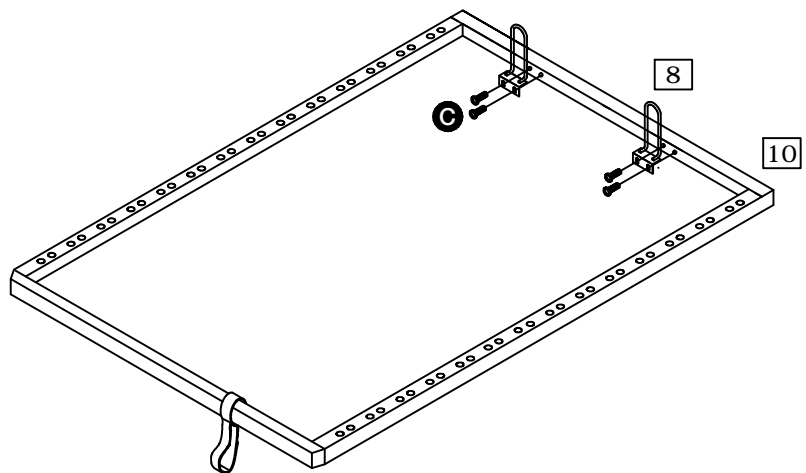
Step 9

Attaching mattress support brackets

With help, carefully turn the frame over.

Note: The frame is heavy, lift with care.

Assemble mattress support brackets **8** to end frame **10** using screws **C**.



Step 10

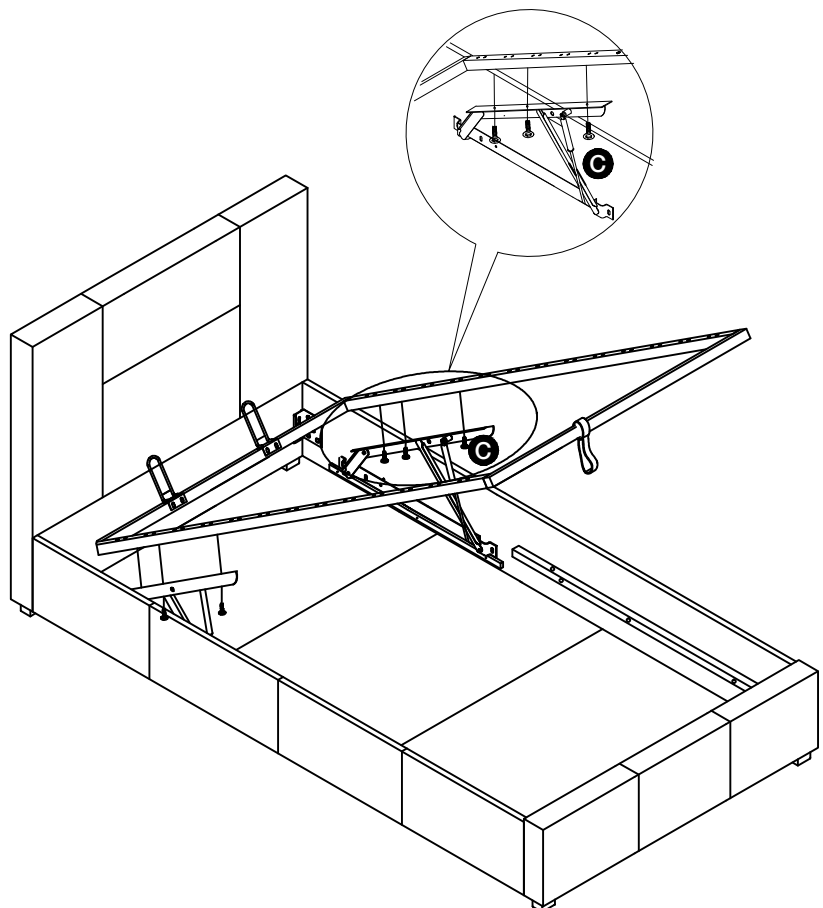
Locating ottoman frame

With help, lift the ottoman frame into position onto hinges **5**.

Note: The frame is heavy, lift with care.

Secure on both sides using screws **C**.

Once assembly is complete, fully tighten all screws around the ottoman frame.

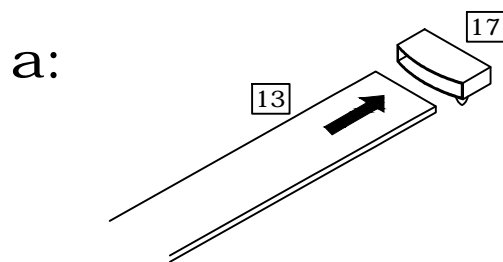


Assembly Instructions

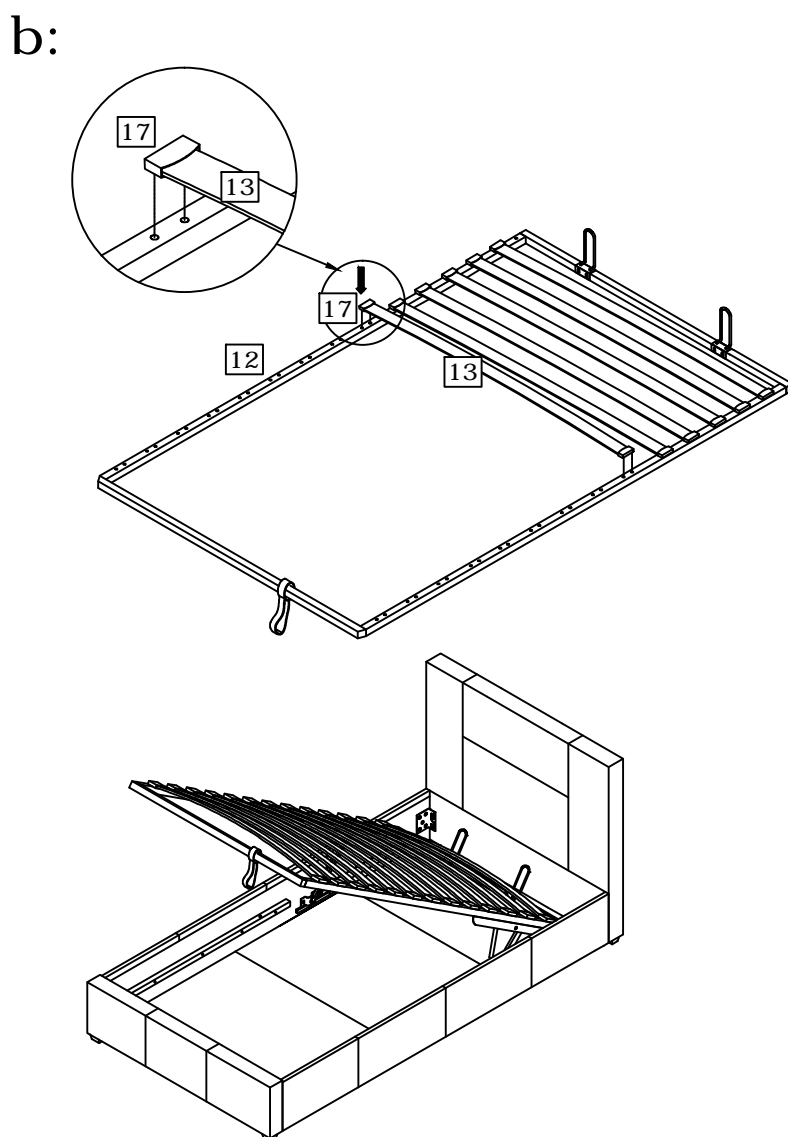
Step 11

Attaching slats

a: Assemble slat caps **17** onto each end of bentwood slats **13**.



b: Fit the bentwood slats **13** into the ottoman frame (sides) **12** by locating slat caps **17** into the holes.



Assembly is complete.

If you need help or have damaged or missing parts, call the **Customer Helpline: 0345 6400 800**
Home Retail Group, 489-499 Avebury Boulevard, Saxon Gate West, Central Milton Keynes, MK9 2NW