



OWNER'S MANUAL LED TV*

* LG LED TV applies LCD screen with LED backlights.

Please read this manual carefully before operating your set and retain it for future reference.

LB49**

LB57**

LB58**



P/NO : MFL68027048(1402-REV00)
Printed in Korea

www.lg.com

LICENSES

Supported licenses may differ by model. For more information about licenses, visit www.lg.com.



OPEN SOURCE SOFTWARE NOTICE

To obtain the source code under GPL, LGPL, MPL and other open source licenses, that is contained in this product, please visit <http://opensource.lge.com>.

In addition to the source code, all referred license terms, warranty disclaimers and copyright notices are available for download.

LG Electronics will also provide open source code to you on CD-ROM for a charge covering the cost of performing such distribution (such as the cost of media, shipping and handling) upon email request to opensource@lge.com. This offer is valid for three (3) years from the date on which you purchased the product.

EXTERNAL CONTROL DEVICE SETUP

To obtain the external control device setup information, please visit www.lg.com

SAFETY INSTRUCTIONS



ENGLISH

Please read these safety precautions carefully before using the product.

WARNING



- Do not place the TV and/or remote control in the following environments:
 - A location exposed to direct sunlight
 - An area with high humidity such as a bathroom
 - Near any heat source such as stoves and other devices that produce heat
 - Near kitchen counters or humidifiers where they can easily be exposed to steam or oil
 - An area exposed to rain or wind
 - Near containers of water such as vases

Otherwise, this may result in fire, electric shock, malfunction or product deformation.



- Do not place the product where it might be exposed to dust. This may cause a fire hazard.



- Mains Plug is the TV connecting/disconnecting device to AC mains electric supply. This plug must remain readily attached and operable when TV is in use.



- Do not touch the power plug with wet hands. Additionally, if the cord pin is wet or covered with dust, dry the power plug completely or wipe dust off. You may be electrocuted due to excess moisture.



- Make sure to connect Mains cable to compliant AC mains socket with Grounded earth pin. (Except for devices which are not grounded on earth.) Otherwise possibility you may be electrocuted or injured.



- Insert power cable plug completely into wall socket otherwise if not secured completely into socket, fire ignition may break out.



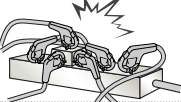










- Ensure the power cord does not come into contact with hot objects such as a heater. This may cause a fire or an electric shock hazard.



- Do not place a heavy object, or the product itself, on power cables. Otherwise, this may result in fire or electric shock.

ENGLISH

- 
 - Bend antenna cable between inside and outside building to prevent rain from flowing in. This may cause water damaged inside the Product and could give an electric shock.
- 
 - When mounting TV onto wall make sure to neatly install and isolate cabling from rear of TV as to not create possibility of electric shock /fire hazard.
- 
 - Do not plug too many electrical devices into a single multiple electrical outlet. Otherwise, this may result in fire due to over-heating.
- 
 - Do not drop the product or let it fall over when connecting external devices. Otherwise, this may result in injury or damage to the product.
- 
 - Keep the anti-moisture packing material or vinyl packing out of the reach of children. Anti-moisture material is harmful if swallowed. If swallowed by mistake, force the patient to vomit and visit the nearest hospital. Additionally, vinyl packing can cause suffocation. Keep it out of the reach of children.
- 
 - Do not let your children climb or cling onto the TV. Otherwise, the TV may fall over, which may cause serious injury.
- 
 - Dispose of used batteries carefully to ensure that a small child does not consume them. Please seek Doctor- Medical Attention immediately if child consumes batteries.
- 
 - Do not insert any metal objects/conductors (like a metal chopstick/cutlery/ screwdriver) between power cable plug and input Wall Socket while it is connected to the input terminal on the wall. Additionally, do not touch the power cable right after plugging into the wall input terminal. You may be electrocuted. (Depending on model)
- 
 - Do not put or store inflammable substances near the product. There is a danger of combustion/explosion or fire due to careless handling of the inflammable substances.
- 
 - Do not drop metallic objects such as coins, hair pins, chopsticks or wire into the product, or inflammable objects such as paper and matches. Children must pay particular attention. Electrical shock, fire or injury can occur. If a foreign object is dropped into the product, unplug the power cord and contact the service centre.
- 
 - Do not spray water on the product or scrub with an inflammable substance (thinner or benzene). Fire or electric shock accident can occur.



- Do not allow any impact, shock or any objects to fall into the unit, and do not drop anything onto the screen.
You may be injured or the product can be damaged.



- Never touch this product or antenna during a thunder or lightning storm.
You may be electrocuted.



- Never touch the wall outlet when there is leakage of gas, open the windows and ventilate.
It may cause a fire or a burn by a spark.



- Do not disassemble, repair or modify the product at your own discretion.
Fire or electric shock accident can occur.
Contact the service centre for check, calibration or repair.



- If any of the following occur, unplug the product immediately and contact your local service centre.
 - The product has been impacted by shock
 - The product has been damaged
 - Foreign objects have entered the product
 - The product produced smoke or a strange smell
 This may result in fire or electric shock.



- Unplug the TV from AC mains wall socket if you do not intend to use the TV for a long period of time.
Accumulated dust can cause fire hazard and insulation deterioration can cause electric leakage/shock/fire.

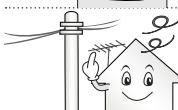


- Apparatus shall not be exposed to dripping or splashing and no objects filled with liquids, such as vases, shall be placed on the apparatus.

- Do not install this product on a wall if it could be exposed to oil or oil mist.
This may damage the product and cause it to fall.

**CAUTION**

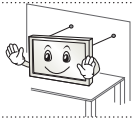
- Install the product where no radio wave occurs.



- There should be enough distance between an outside antenna and power lines to keep the former from touching the latter even when the antenna falls.
This may cause an electric shock.



- Do not install the product on places such as unstable shelves or inclined surfaces. Also avoid places where there is vibration or where the product cannot be fully supported. Otherwise, the product may fall or flip over, which may cause injury or damage to the product.



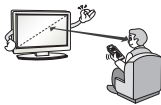
- If you install the TV on a stand, you need to take actions to prevent the product from overturning. Otherwise, the product may fall over, which may cause injury.

- If you intend to mount the product to a wall, attach VESA standard mounting interface (optional parts) to the back of the product. When you install the set to use the wall mounting bracket (optional parts), fix it carefully so as not to drop.

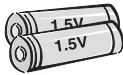
- Only use the attachments / accessories specified by the manufacturer.



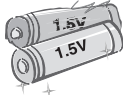
- When installing the antenna, consult with a qualified service technician. If not installed by a qualified technician, this may create a fire hazard or an electric shock hazard.



- We recommend that you maintain a distance of at least 2 to 7 times the diagonal screen size when watching TV. If you watch TV for a long period of time, this may cause blurred vision.



- Only use the specified type of battery. This could cause damage to the remote control.



- Do not mix new batteries with old batteries. This may cause the batteries to overheat and leak.

- Batteries should not be exposed to excessive heat. For example, keep away from direct Sunlight, open fireplace and electric heaters.

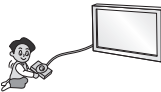
- Do not place non-rechargeable batteries in charging device.



- Make sure there are no objects between the remote control and its sensor.



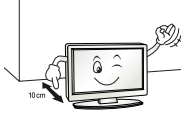
- Signal from Remote Control can be interrupted due to external/internal lighting eg Sunlight, fluorescent lighting. If this occurs turn off lighting or darken viewing area.



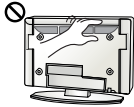
- When connecting external devices such as video game consoles, make sure the connecting cables are long enough. Otherwise, the product may fall over, which may cause injury or damage the product.



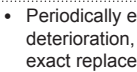
- Do not turn the product On/Off by plugging-in or unplugging the power plug to the wall outlet. (Do not use the power plug for switch.) It may cause mechanical failure or could give an electric shock.



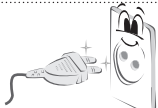
- Please follow the installation instructions below to prevent the product from overheating.
 - The distance between the product and the wall should be more than 10 cm.
 - Do not install the product in a place with no ventilation (e.g., on a bookshelf or in a cupboard).
 - Do not install the product on a carpet or cushion.
 - Make sure the air vent is not blocked by a tablecloth or curtain.
- Otherwise, this may result in fire.



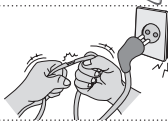
- Take care not to touch the ventilation openings when watching the TV for long periods as the ventilation openings may become hot. This does not affect the operation or performance of the product.



- Periodically examine the cord of your appliance, and if its appearance indicates damage or deterioration, unplug it, discontinue use of the appliance, and have the cord replaced with an exact replacement part by an authorized servicer.



- Prevent dust collecting on the power plug pins or outlet. This may cause a fire hazard.



- Protect the power cord from physical or mechanical abuse, such as being twisted, kinked, pinched, closed in a door, or walked upon. Pay particular attention to plugs, wall outlets, and the point where the cord exits the appliance.



- Do not press strongly upon the panel with a hand or sharp object such as nail, pencil or pen, or make a scratch on it, as it may cause damage to screen.



- Avoid touching the screen or holding your finger(s) against it for long periods of time. Doing so may produce some temporary or permanent distortion/damage to screen.



- When cleaning the product and its components, unplug the power first and wipe it with a soft cloth. Applying excessive force may cause scratches or discoloration. Do not spray with water or wipe with a wet cloth. Never use glass cleaner, car or industrial shiner, abrasives or wax, benzene, alcohol etc., which can damage the product and its panel. Otherwise, this may result in fire, electric shock or product damage (deformation, corrosion or breakage).

- As long as this unit is connected to the AC wall outlet, it is not disconnected from the AC power source even if you turn off this unit by SWITCH.



- When unplugging the cable, grab the plug and unplug it, by pulling at the plug. Don't pull at the cord to unplug the power cord from the power board, as this could be hazardous.



- When moving the product, make sure you turn the power off first. Then, unplug the power cables, antenna cables and all connecting cables. The TV set or power cord may be damaged, which may create a fire hazard or cause electric shock.



- When moving or unpacking the product, work in pairs because the product is heavy. Otherwise, this may result in injury.



- Contact the service centre once a year to clean the internal parts of the product. Accumulated dust can cause mechanical failure.



- Refer all servicing to qualified service personnel. Servicing is required when the apparatus has been damaged in any way, such as power supply cord or plug is damaged, liquid has been spilled or objects have fallen into the apparatus, the apparatus has been exposed to rain or moisture, does not operate normally, or has been dropped.



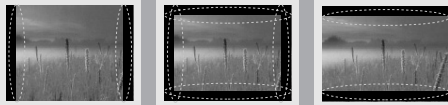
- If the product feels cold to the touch, there may be a small "flicker" when it is turned on. This is normal, there is nothing wrong with product.



- The panel is a high technology display product with resolution of two million to six million pixels. You may see tiny black dots and/or brightly coloured dots (red, blue or green) at a size of 1 ppm on the panel. This does not indicate a malfunction and does not affect the performance and reliability of the product. This phenomenon also occurs in third-party products and is not subject to exchange or refund.



- You may find different brightness and color of the panel depending on your viewing position (left/right/top/down). This phenomenon occurs due to the characteristic of the panel. It is not related with the product performance, and it is not malfunction.



- Displaying a still image (e.g., broadcasting channel logo, on-screen menu, scene from a video game) for a prolonged time may cause damage to the screen, resulting in retention of the image, which is known as image sticking. The warranty does not cover the product for image sticking. Avoid displaying a fixed image on your television's screen for a prolonged period (2 or more hours for LCD, 1 or more hours for Plasma). Also, if you watch the TV at a ratio of 4:3 for a long time, image sticking may occur on the borders of the panel. This phenomenon also occurs in third-party products and is not subject to exchange or refund.

- **Generated Sound**

"Cracking" noise: A cracking noise that occurs when watching or turning off the TV is generated by plastic thermal contraction due to temperature and humidity. This noise is common for products where thermal deformation is required. Electrical circuit humming/panel buzzing: A low level noise is generated from a high-speed switching circuit, which supplies a large amount of current to operate a product. It varies depending on the product.

This generated sound does not affect the performance and reliability of the product.

! NOTE

- Image shown may differ from your TV.
- Your TV's OSD (On Screen Display) may differ slightly from that shown in this manual.
- The available menus and options may differ from the input source or product model that you are using.
- New features may be added to this TV in the future.
- The TV can be placed in standby mode in order to reduce the power consumption. And the TV should be turned off if it will not be watched for some time, as this will reduce energy consumption.
- The energy consumed during use can be significantly reduced if the level of brightness of the picture is reduced, and this will reduce the overall running cost.

ASSEMBLING AND PREPARING

Unpacking

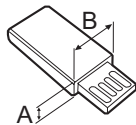
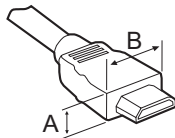
Check your product box for the following items. If there are any missing accessories, contact the local dealer where you purchased your product. The illustrations in this manual may differ from the actual product and item.

! CAUTION

- Do not use any unapproved items to ensure the safety and product life span.
- Any damage or injuries caused by using unapproved items are not covered by the warranty.
- Some models have a thin film attached on to the screen and this must not be removed.

! NOTE

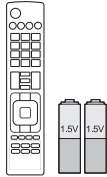
- The items supplied with your product may vary depending on the model.
- Product specifications or contents of this manual may be changed without prior notice due to upgrade of product functions.
- For an optimal connection, HDMI cables and USB devices should have bezels less than 10 mm thick and 18 mm width. Use an extension cable that supports USB 2.0 if the USB cable or USB memory stick does not fit into your TV's USB port.



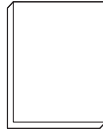
*A ≤ 10 mm

*B ≤ 18 mm

ENGLISH



**Remote Control, Batteries
(AAA)**



Owner's Manual



Cable Holder



Cable Managements
2EA
(Only LB57**, LB58**-ZA/ZB/
ZG/ZJ)



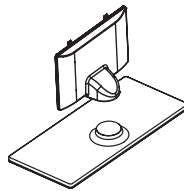
Stand Base
(Only LB49**-ZH)



Stand Base
(Only LB49**-ZB/ZG)



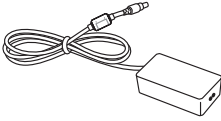
Stand Base
(Only LB57**, LB58**-ZA/ZB/
ZG/ZJ)



Stand Base/Stand Body
(Only LB58**-ZM)



Power Cord
(Only LB57**, LB58**)



AC-DC Adapter / Power Cord
(Only LB49**)



Stand Screws
2 EA, M4 x L10
(Only 28LB49**-ZH)



Stand Screws
4EA, M4 x L14
(Only 39/42/47/50LB57**,
39/42/47/50/55LB58**-
ZA/ZB/ZG/ZJ,
42/47/50/55/60LB58**-ZM)



Stand Screws
2EA, M4 x L20
(Only 32/39LB58**-ZM)
4EA, M4 x L20
(Only 32LB57**,
32LB58**-ZA/ZB/ZG/ZJ)



Stand Screws
4EA, M4 x L20
(Only LB58**-ZM)



Wall Mount Spacers
2EA
(Only 42LB57**, 42LB58**)



Rubber
2EA
(Only LB58**-ZM)

Separate purchase

Separate purchase items can be changed or modified for quality improvement without any notification. Contact your dealer to buy these items. These devices only work with certain models. The model name or design may be changed depending on the upgrade of product functions, manufacturer's circumstances or policies.

AN-MR500

Magic Remote

AN-WF500

Wi-Fi/Bluetooth Dongle

AN-VC5**

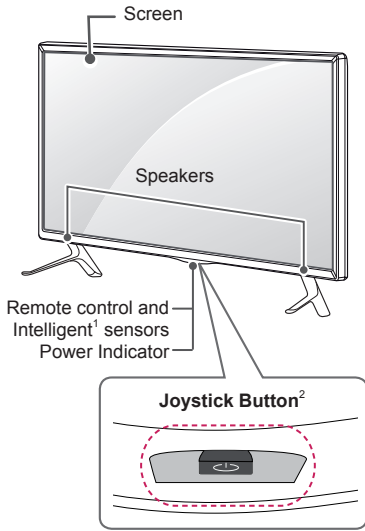
Video Call Camera

LG Audio Device**Tag On**

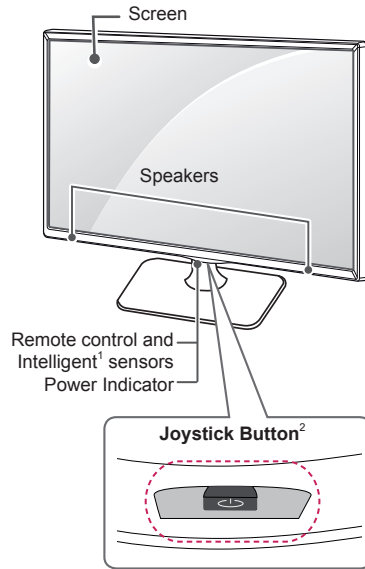
* You can use the Magic Remote and LG Audio Device(Wireless) only when you are using the Wi-Fi/Bluetooth Dongle.

Parts and buttons

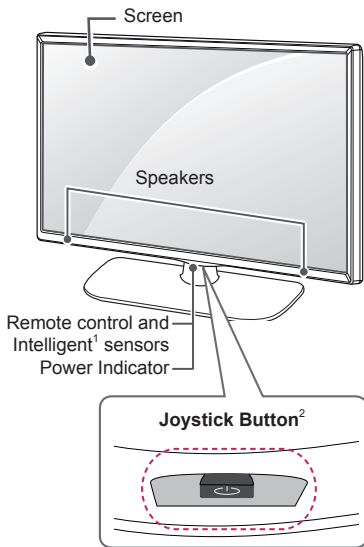
A type : LB49**-ZH, LB57**,
LB58**-ZA/ZB/ZG/ZJ



B type : LB49**-ZB/ZG



C type : LB58**-ZM



- 1 Intelligent sensor - Adjusts the image quality and brightness based on the surrounding environment.
- 2 Joystick Button - This button is located below the TV screen.

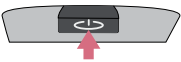
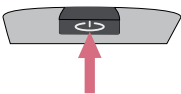

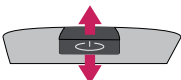
**NOTE**

- You can set the power indicator light to on or off by selecting **OPTION** in the main menus.

Using the Joystick button

You can simply operate the TV functions, pressing or moving the joystick button up, down, left or right.

Basic Functions

	Power On	When the TV is turned off, place your finger on the joystick button and press it once and release it.
	Power Off	When the TV is turned on, place your finger on the joystick button and press it once for a few seconds and release it. (However, if the Menu button is on the screen, pressing and holding the joystick button will let you exit the Menu.)
	Volume Control	If you place your finger over the joystick button and move it left or right, you can adjust the volume level you want.
	Programmes Control	If you place your finger over the joystick button and move it up or down, you can scrolls through the saved programmes you want.

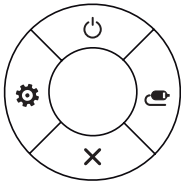




**NOTE**

- When your finger over the joystick button and push it to the up, down, left or right, be careful not to press the joystick button. If you press the joystick button first, you can not adjust the volume level and saved programmes.

Adjusting the Menu


When the TV is turned on, press the joystick button one time.

You can adjust the Menu items(☺, ⚙, ✕, 📺) moving the joystick button up, down, left or right.

		TV Off	Turns the power off.
		Settings	Accesses the main menu.
		Close	Clears on-screen displays and returns to TV viewing.
		Input List	Changes the input source.

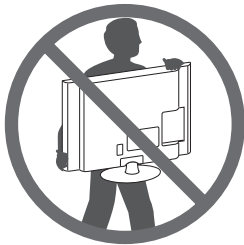
Lifting and moving the TV

Please note the following advice to prevent the TV from being scratched or damaged and for safe transportation regardless of its type and size.

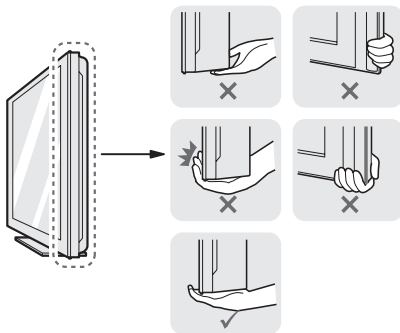
 **CAUTION**

- Avoid touching the screen at all times, as this may result in damage to the screen.

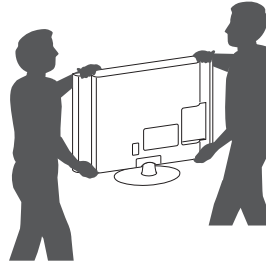
- It is recommended to move the TV in the box or packing material that the TV originally came in.
- Before moving or lifting the TV, disconnect the power cord and all cables.
- When holding the TV, the screen should face away from you to avoid damage.



- Hold the top and bottom of the TV frame firmly. Make sure not to hold the transparent part, speaker, or speaker grill area.



- When transporting a large TV, there should be at least 2 people.
- When transporting the TV by hand, hold the TV as shown in the following illustration.



- When transporting the TV, do not expose the TV to jolts or excessive vibration.
- When transporting the TV, keep the TV upright, never turn the TV on its side or tilt towards the left or right.
- Do not apply excessive pressure to cause flexing /bending of frame chassis as it may damage screen.
- When handling the TV, be careful not to damage the protruding joystick button.

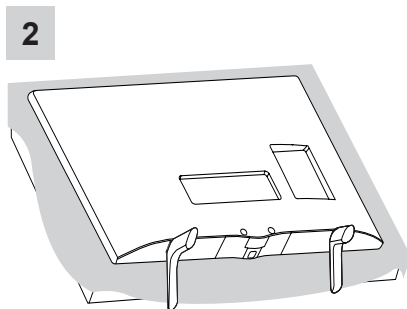
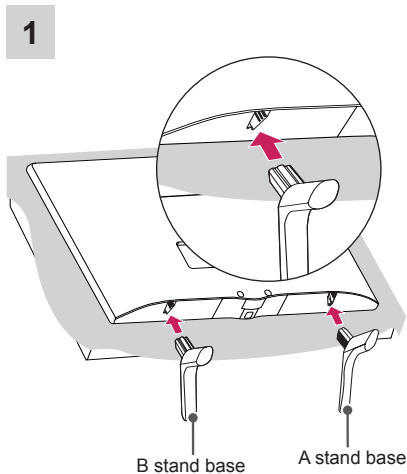
ENGLISH

Setting up the TV

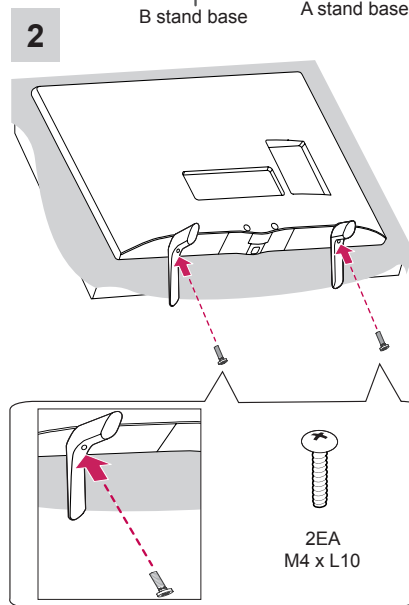
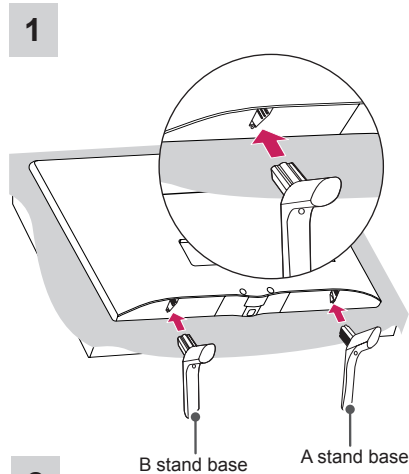
Image shown may differ from your TV.

Attaching the stand

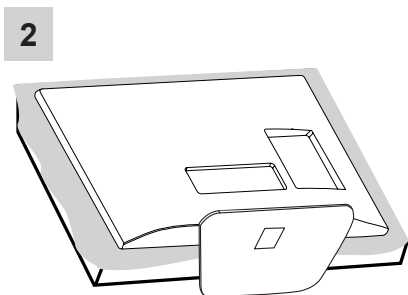
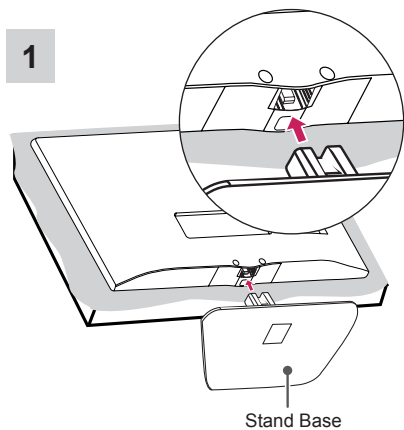
22LB49**-ZH



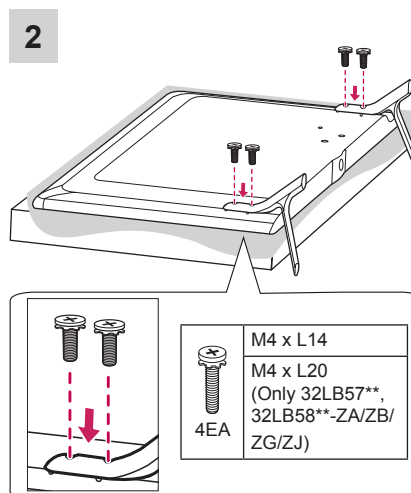
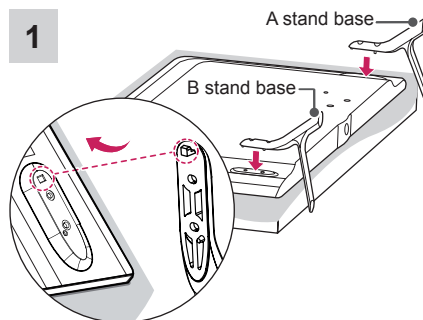
28LB49**-ZH



LB49**-ZB/ZG

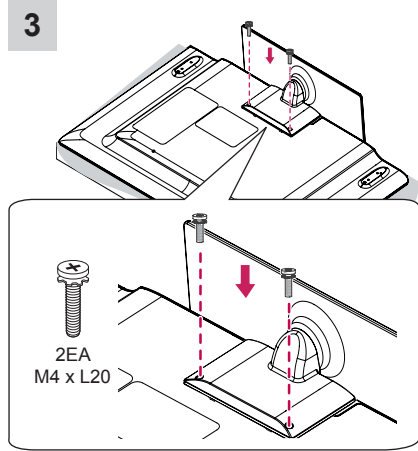
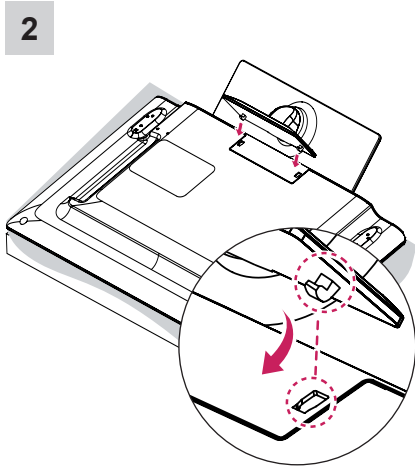
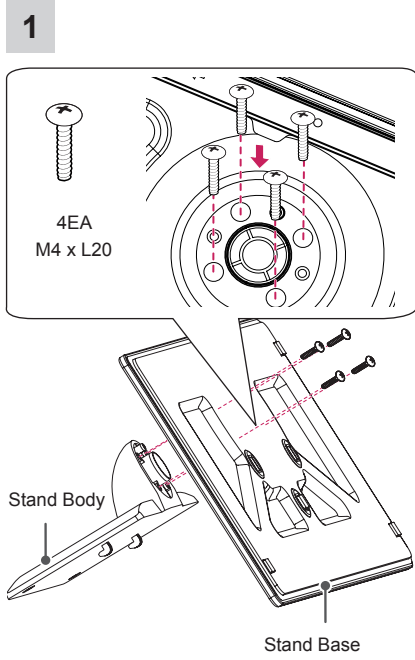


LB57**, LB58**-ZA/ZB/ZG/ZJ

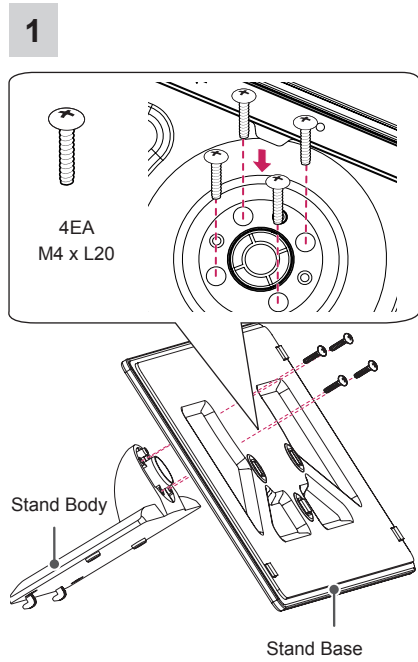


ENGLISH

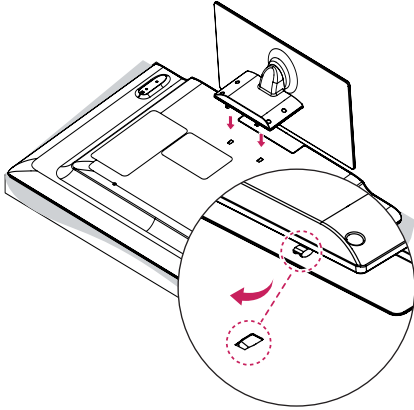
32/39LB58**-ZM



42/47/50/55/60LB58**-ZM



2



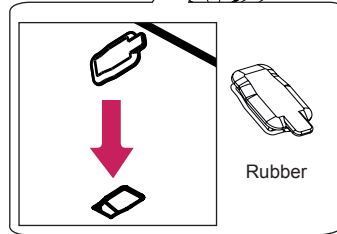
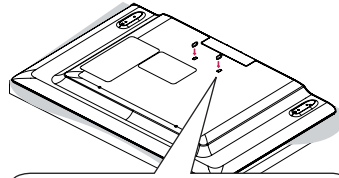
CAUTION

- When attaching the stand to the TV set, place the screen facing down on a cushioned table or flat surface to protect the screen from scratches.

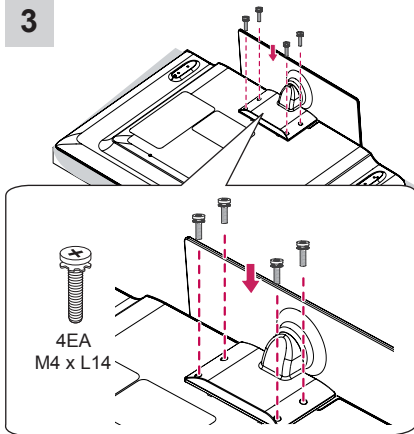


NOTE

- The Rubber will protect the opening from accumulating dust and dirt. When installing the wall mounting bracket, use the Rubber. (Only LB58**~ZM)

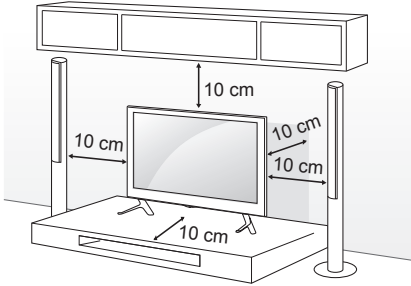


3



Mounting on a table

- 1 Lift and tilt the TV into its upright position on a table.
 - Leave a 10 cm (minimum) space from the wall for proper ventilation.



- 2 Connect the power cord to a wall outlet.

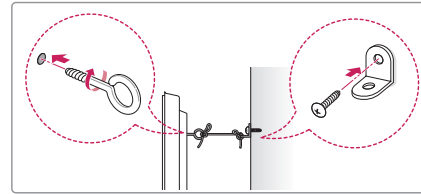
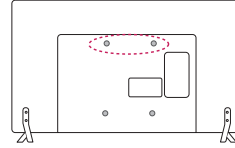


CAUTION

- Do not place the TV near or on sources of heat, as this may result in fire or other damage.

Securing the TV to a wall

(This feature is not available for all models.)



- 1 Insert and tighten the eye-bolts, or TV brackets and bolts on the back of the TV.
 - If there are bolts inserted at the eye-bolts position, remove the bolts first.
- 2 Mount the wall brackets with the bolts to the wall.

Match the location of the wall bracket and the eye-bolts on the rear of the TV.
- 3 Connect the eye-bolts and wall brackets tightly with a sturdy rope.

Make sure to keep the rope horizontal with the flat surface.



CAUTION

- Make sure that children do not climb on or hang on the TV.

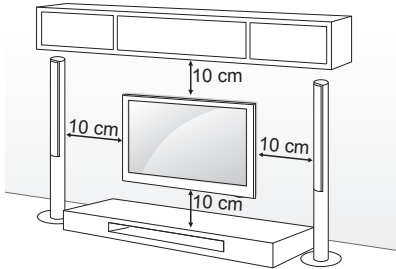


NOTE

- Use a platform or cabinet that is strong and large enough to support the TV securely.
- Brackets, bolts and ropes are not provided. You can obtain additional accessories from your local dealer.

Mounting on a wall

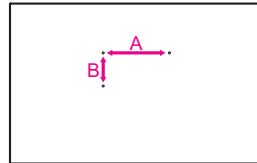
Attach an optional wall mount bracket at the rear of the TV carefully and install the wall mount bracket on a solid wall perpendicular to the floor. When you attach the TV to other building materials, please contact qualified personnel. LG recommends that wall mounting be performed by a qualified professional installer.



Make sure to use screws and wall mount bracket that meet the VESA standard. Standard dimensions for the wall mount kits are described in the following table.

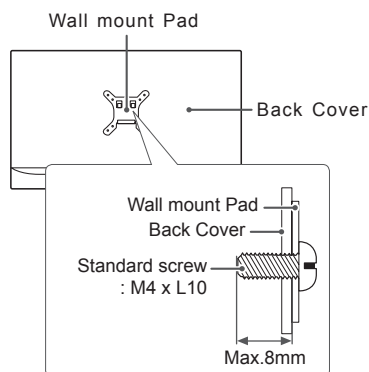
Separate purchase(Wall Mounting Bracket)

Model	22LB49**	28LB49**
VESA (A x B)	75 x 75	100 x 100
Standard screw	M4 X L10	M4 X L10
Number of screws	4	4
Wall mount bracket	LSW140B	LSW140B
Model	32/39LB57** 32/39LB58**	42/47/50LB57** 42/47/50/55LB58**
VESA (A x B)	200 x 200	400 x 400
Standard screw	M6	M6
Number of screws	4	4
Wall mount bracket	LSW240B MSW240	LSW440B MSW240
Model	60LB58**	
VESA (A x B)	400 x 400	
Standard screw	M6	
Number of screws	4	
Wall mount bracket	LSW440B	



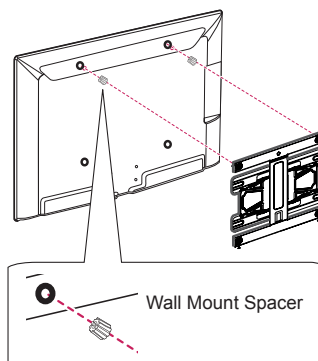
CAUTION

- Disconnect the power first, and then move or install the TV. Otherwise electric shock may occur.
- If you install the TV on a ceiling or slanted wall, it may fall and result in severe injury. Use an authorised LG wall mount and contact the local dealer or qualified personnel.
- Do not over tighten the screws as this may cause damage to the TV and void your warranty.
- Use the screws and wall mounts that meet the VESA standard. Any damages or injuries by misuse or using an improper accessory are not covered by the warranty.
- Screw length from outer surface of back cover should be under 8mm. (only LB49**)



NOTE

- Use the screws that are listed on the VESA standard screw specifications.
- The wall mount kit includes an installation manual and necessary parts.
- The wall mount bracket is not provided. You can obtain additional accessories from your local dealer.
- The length of screws may differ depending on the wall mount. Make sure to use the proper length.
- For more information, refer to the manual supplied with the wall mount.
- When attaching a wall mounting bracket to the TV, insert the wall mount spacers into the TV wall mount holes to adjust the vertical angle of the TV. (Only 42LB57**, 42LB58**)



MAKING CONNECTIONS

This section on **MAKING CONNECTIONS** mainly uses diagrams for the LB57** models.

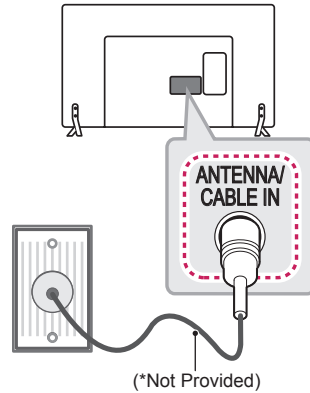
Connect various external devices to the TV and switch input modes to select an external device. For more information of external device's connection, refer to the manual provided with each device.

Available external devices are: HD receivers, DVD players, VCRs, audio systems, USB storage devices, PC, gaming devices, and other external devices.

NOTE

- The external device connection may differ from the model.
- Connect external devices to the TV regardless of the order of the TV port.
- If you record a TV program on a DVD recorder or VCR, make sure to connect the TV signal input cable to the TV through a DVD recorder or VCR. For more information of recording, refer to the manual provided with the connected device.
- Refer to the external equipment's manual for operating instructions.
- If you connect a gaming device to the TV, use the cable supplied with the gaming device.
- In PC mode, there may be noise associated with the resolution, vertical pattern, contrast or brightness. If noise is present, change the PC output to another resolution, change the refresh rate to another rate or adjust the brightness and contrast on the PICTURE menu until the picture is clear.
- In PC mode, some resolution settings may not work properly depending on the graphics card.

Antenna connection



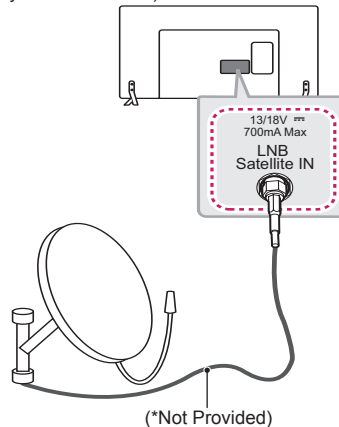
Connect the TV to a wall antenna socket with an RF cable (75 Ω).

NOTE

- Use a signal splitter to use more than 2 TVs.
- If the image quality is poor, install a signal amplifier properly to improve the image quality.
- If the image quality is poor with an antenna connected, try to realign the antenna in the correct direction.
- An antenna cable and converter are not supplied.
- Supported DTV Audio: MPEG, Dolby Digital, Dolby Digital Plus, HE-AAC

Satellite dish connection

(Only satellite models)

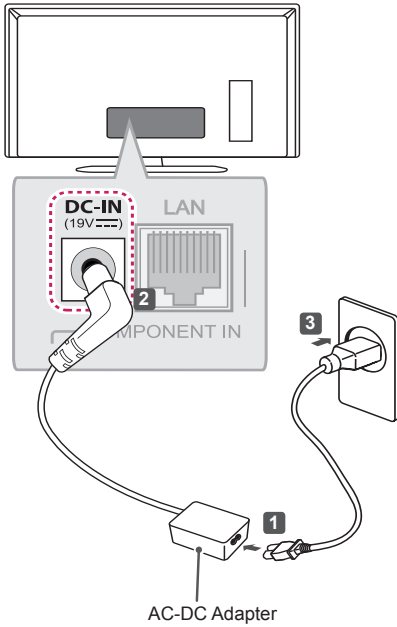


Connect the TV to a satellite dish to a satellite socket with a satellite RF cable (75 Ω).

ENGLISH

Adapter connection

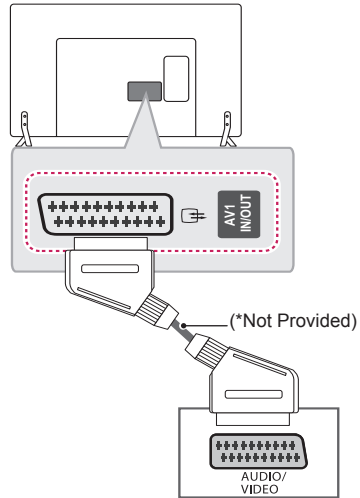
(Only LB49**)



CAUTION

- Please be sure to connect the TV to the AC-DC power adapter before connecting the TV's power plug to a wall power outlet.

Euro Scart connection



Transmits the video and audio signals from an external device to the TV set. Connect the external device and the TV set with the euro scart cable as shown.

Output Type / Current input mode	AV1 (TV Out')
Digital TV	Digital TV
Analogue TV, AV	Analogue TV
Component	
HDMI	

1 TV Out : Outputs Analogue TV or Digital TV signals.

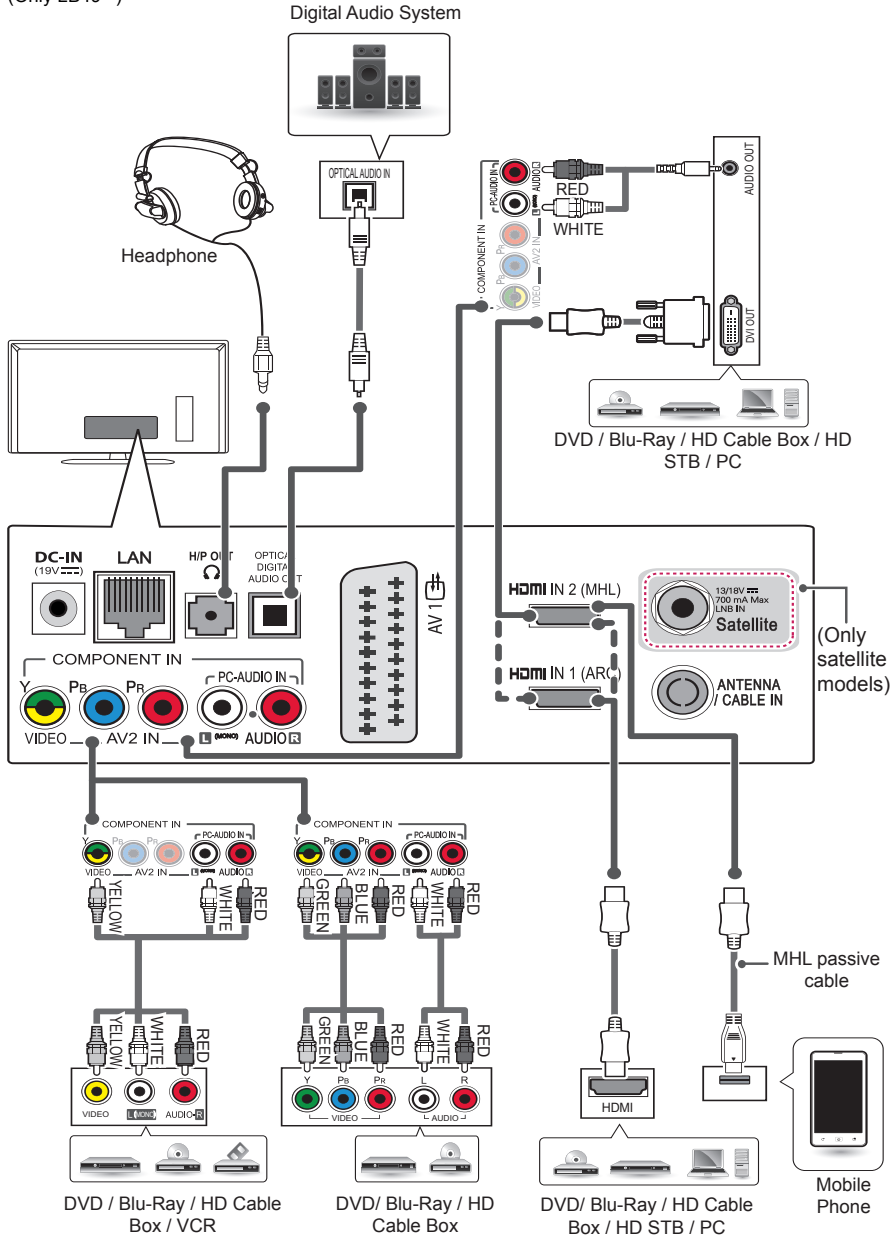
NOTE

- Any Euro scart cable used must be signal shielded.

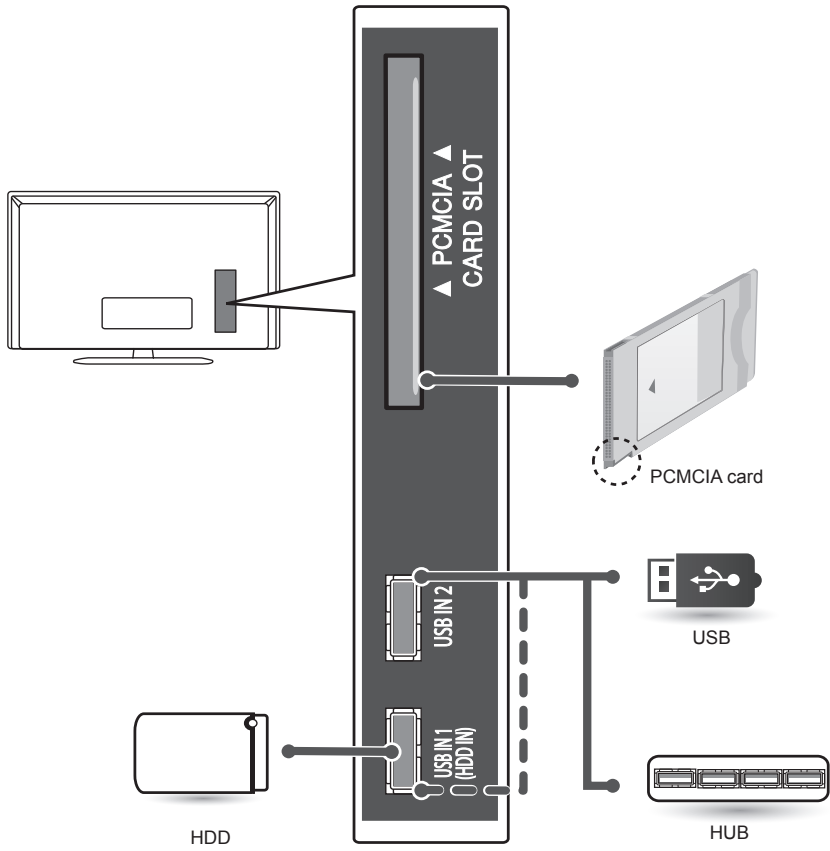
Other connections

Connect your TV to external devices. For the best picture and audio quality, connect the external device and the TV with the HDMI cable as shown. Some separate cable is not provided.

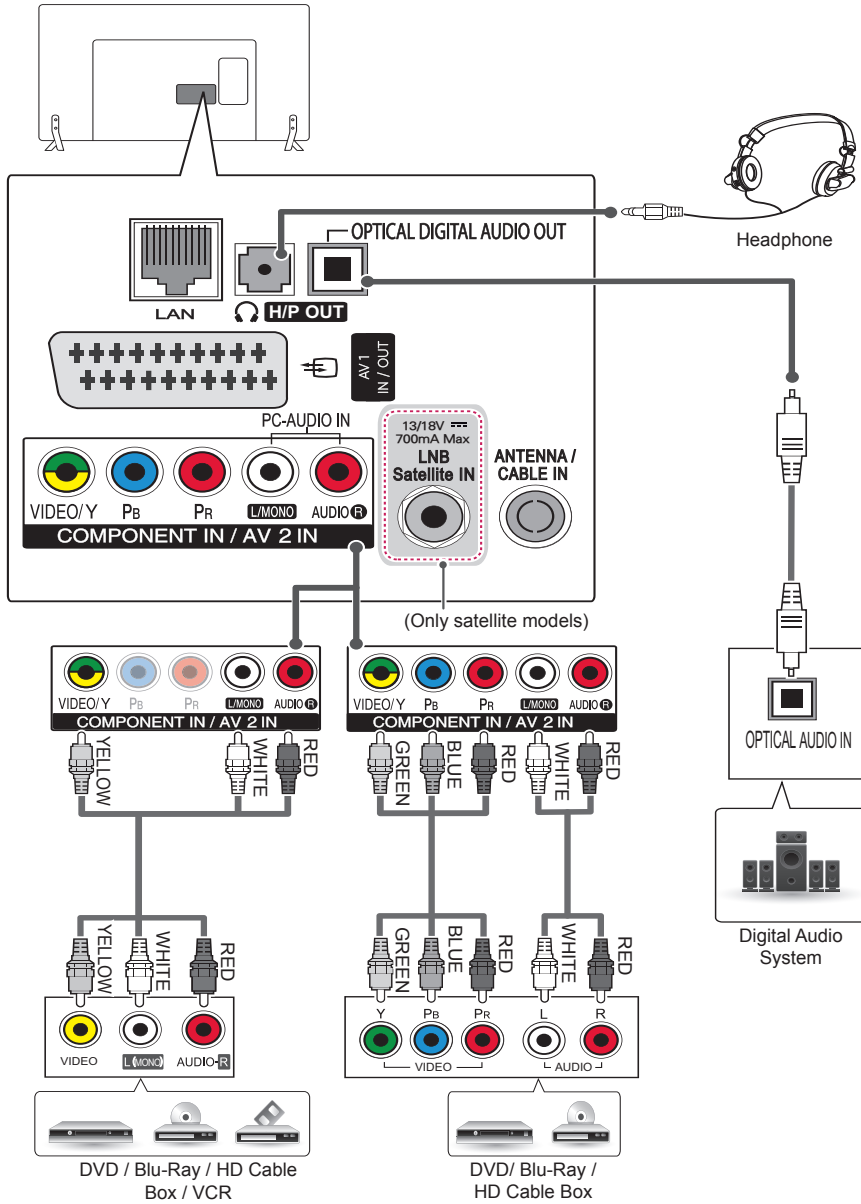
(Only LB49**)



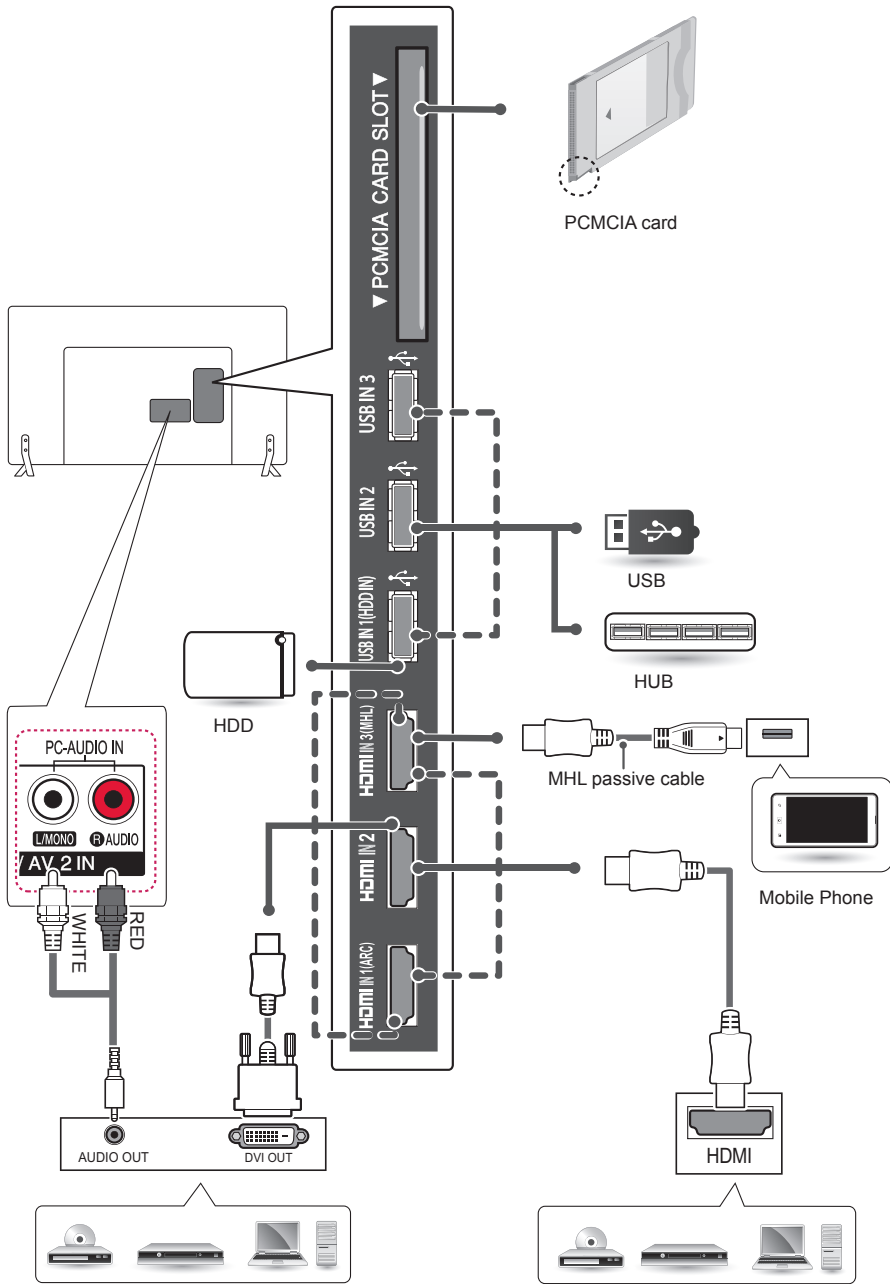
ENGLISH



(Only LB57**, LB58**)



ENGLISH

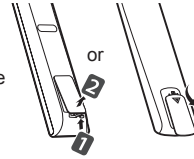


DVD / Blu-Ray / HD Cable Box / HD STB / PC (Only **HDMI IN 1(ARC)** or **HDMI IN 2**)

DVD / Blu-Ray / HD Cable Box / HD STB / PC (Only **HDMI IN 1(ARC)** or **HDMI IN 2**)

REMOTE CONTROL

The descriptions in this manual are based on the buttons on the remote control. Please read this manual carefully and use the TV correctly.
 To replace batteries, open the battery cover, replace batteries (1.5 V AAA) matching the ⊕ and ⊖ ends to the label inside the compartment, and close the battery cover.
 To remove the batteries, perform the installation actions in reverse.



CAUTION

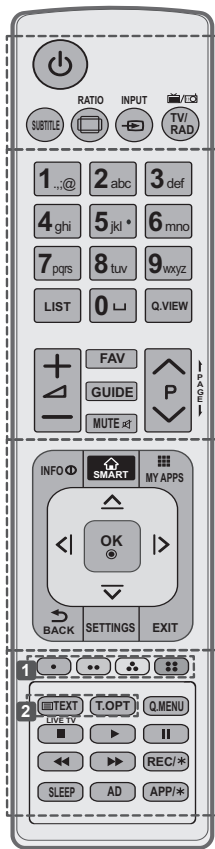
- Do not mix old and new batteries, as this may damage the remote control.
- The remote control will not be included for all sales market.

Make sure to point the remote control toward the remote control sensor on the TV.
 (Depending on model)

<p>TV/RAD Selects Radio, TV and DTV programme.</p> <p>SUBTITLE Recalls your preferred subtitle in digital mode.</p> <p>Q. MENU Accesses the quick menus.</p> <p>GUIDE Shows programme guide.</p> <p>AD By Pressing AD button, audio descriptions function will be enabled.</p> <p>INPUT Changes the input source.</p> <p>LIST Accesses the saved programme list.</p> <p>Q.VIEW Returns to the previously viewed programme.</p> <p>FAV Accesses your favourite programme list.</p> <p>INFO Views the information of the current programme and screen.</p> <p>^ PAGE v Moves to the previous or next screen.</p> <p>SETTINGS Accesses the main menus.</p> <p>SMART Accesses the Smart Home menus.</p> <p>MY APPS Shows the list of Apps.</p> <p>1 TELETEXT BUTTONS These buttons are used for teletext.</p> <p>Navigation buttons (up/down/left/right) Scrolls through menus or options.</p> <p>OK Selects menus or options and confirms your input.</p> <p>BACK Returns to the previous level.</p> <p>EXIT Clears on-screen displays and returns to TV viewing.</p> <p>APP/* Selects the MHP TV menu source. (Only Italy) (Depending on model)</p> <p>REC/* Starts to record and displays record menu. (Only Time Machine ^{Ready} supported model)</p> <p>LIVE TV Returns to LIVE TV.</p> <p>Control buttons (Controls the Premium contents, Time Machine ^{Ready} or SmartShare menus or the SIMPLINK compatible devices (USB or SIMPLINK or Time Machine ^{Ready}).</p> <p>2 Colour buttons These access special functions in some menus. : Red, : Green, : Yellow, : Blue)</p>

ENGLISH

(Depending on model)

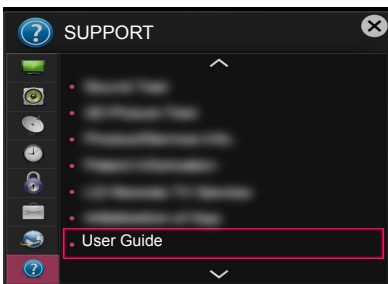


- SUBTITLE** Recalls your preferred subtitle in digital mode.
- RATIO** Resizes an image.
- INPUT** Changes the input source.
- TV/RAD** Selects Radio, TV and DTV programme.
- LIST** Accesses the saved programme list.
- (Space)** Opens an empty space on the screen keyboard.
- Q.VIEW** Returns to the previously viewed programme.
- FAV** Accesses your favourite programme list.
- GUIDE** Shows programme guide.
- PAGE** Moves to the previous or next screen.
- INFO** Views the information of the current programme and screen.
- SMART** Accesses the Smart Home menus.
- MY APPS** Shows the list of Apps.
- Navigation buttons** (up/down/left/right) Scrolls through menus or options.
- OK** Selects menus or options and confirms your input.
- BACK** Returns to the previous level.
- SETTINGS** Accesses the main menus.
- EXIT** Clears on-screen displays and returns to TV viewing.
- 1 Colour buttons** These access special functions in some menus.
 (Red), (Green), (Yellow), (Blue)
- 2 TELETEXT BUTTONS** These buttons are used for teletext.
- LIVE TV** Returns to LIVE TV.
- Q. MENU** Accesses the quick menus.
- Control buttons** (Stop, Play, Pause, Previous, Next) Controls the Premium contents, Time Machine^{Ready} or SmartShare menus or the SIMPLINK compatible devices (USB or SIMPLINK or Time Machine^{Ready}).
- REC/*** Starts to record and displays record menu. (Only Time Machine^{Ready} supported model)
- SLEEP** Sets the sleep timer.
- AD** By Pressing AD button, audio descriptions function will be enabled.
- APP/*** Selects the MHP TV menu source. (Only Italy) (Depending on model)

USING THE USER GUIDE

User Guide allows you to more easily access the detailed TV information.

- 1 Press the **SMART** button to access the Smart Home menu.
- 2 Select **SETTINGS** → **SUPPORT**.
- 3 Select **User Guide** and press **OK**.



MAINTENANCE

Cleaning your TV

Clean your TV regularly to keep the best performance and to extend the product lifespan.



CAUTION

- Make sure to turn the power off and disconnect the power cord and all other cables first.
- When the TV is left unattended and unused for a long time, disconnect the power cord from the wall outlet to prevent possible damage from lightning or power surges.

Screen, frame, cabinet and stand

- To remove dust or light dirt, wipe the surface with a dry, clean, and soft cloth.
- To remove major dirt, wipe the surface with a soft cloth dampened in clean water or a diluted mild detergent. Then wipe immediately with a dry cloth.



CAUTION

- Avoid touching the screen at all times, as this may result in damage to the screen.
- Do not push, rub, or hit the screen surface with your fingernail or a sharp object, as this may result in scratches and image distortions.
- Do not use any chemicals as this may damage the product.
- Do not spray liquid onto the surface. If water enters the TV, it may result in fire, electric shock, or malfunction.

Power cord

Remove the accumulated dust or dirt on the power cord regularly.

TROUBLESHOOTING

Problem	Solution
Cannot control the TV with the remote control.	<ul style="list-style-type: none"> • Check the remote control sensor on the product and try again. • Check if there is any obstacle between the product and the remote control. • Check if the batteries are still working and properly installed (⊕ to ⊕, ⊖ to ⊖).
No image display and no sound is produced.	<ul style="list-style-type: none"> • Check if the product is turned on. • Check if the power cord is connected to a wall outlet. • Check if there is a problem in the wall outlet by connecting other products.
The TV turns off suddenly.	<ul style="list-style-type: none"> • Check the power control settings. The power supply may be interrupted. • Check if the Automatic Standby (Depending on model) / Sleep Timer / Time Power Off is activated in the TIME settings. • If there is no signal while the TV is on, the TV will turn off automatically after 15 minutes of inactivity.
When connecting to the PC (HDMI/DVI), 'No signal' or 'Invalid Format' is displayed.	<ul style="list-style-type: none"> • Turn the TV off/on using the remote control. • Reconnect the HDMI cable. • Restart the PC with the TV on.

SPECIFICATIONS

(Depending on model)

Wireless LAN module(TWFM-B006D) specification	
Standard	IEEE802.11a/b/g/n
Frequency Range	2400 to 2483.5 MHz 5150 to 5250 MHz 5725 to 5850 MHz (for Non EU)
Output Power (Max.)	802.11a: 11 dBm 802.11b: 14 dBm 802.11g: 10.5 dBm 802.11n - 2.4GHz: 11 dBm 802.11n - 5GHz: 12.5 dBm
<ul style="list-style-type: none"> • Because band channel used by the country could be different, the user can not change or adjust the operating frequency and this product is set for the regional frequency table. • This device should be installed and operated with minimum distance 20 cm between the device and your body. And this phrase is for the general statement for consideration of user environment. 	
<h1>CE 0197 ⚠</h1>	

Product specifications may be changed without prior notice due to upgrade of product functions.

MODELS		22LB49**	
		22LB490B-ZG 22LB490U-ZG 22LB491U-ZB 22LB498U-ZG	22LB4900-ZA 22LB490B-ZH 22LB490U-ZA 22LB490U-ZH 22LB490V-ZA
Dimensions (W x H x D)	With stand (mm)	506 x 354 x 141	506 x 345 x 129
	Without stand(mm)	506 x 310 x 55.8	506 x 310 x 55.8
Weight	With stand (kg)	3.1	3.0
	Without stand (kg)	2.9	2.9
Power requirement		AC 100-240 V~ 50 / 60 Hz	AC 100-240 V~ 50 / 60 Hz
Power consumption		48 W	48 W
AC-DC Adaptor		Manufacturer : Lien Chang Model : LCAP35 Manufacturer : APD Model : DA-48F19	
MODELS		28LB49**	
		28LB490B-ZG 28LB490U-ZG 28LB491U-ZB 28LB498U-ZG	28LB4900-ZA 28LB490B-ZH 28LB490U-ZA 28LB490U-ZH 28LB490V-ZA
Dimensions (W x H x D)	With stand (mm)	638 x 430 x 175	638 x 422 x 160
	Without stand(mm)	638 x 389 x 56.8	638 x 389 x 56.8
Weight	With stand (kg)	4.6	4.4
	Without stand (kg)	4.3	4.3
Power requirement		AC 100-240 V~ 50 / 60 Hz	AC 100-240 V~ 50 / 60 Hz
Power consumption		65 W	65 W
AC-DC Adaptor		Manufacturer : Lien Chang Model : LCAP39 Manufacturer : APD Model : DA-65G19	

MODELS	32LB57**		39LB57**	42LB57**
	32LB5700-ZB		39LB5700-ZB	42LB5700-ZB
	32LB5700-ZK		39LB5700-ZK	42LB5700-ZK
	32LB570B-ZB		39LB570B-ZB	42LB570B-ZB
	32LB570B-ZK		39LB570B-ZK	42LB570B-ZK
	32LB570U-ZB		39LB570U-ZB	42LB570U-ZB
	32LB570U-ZJ		39LB570U-ZJ	42LB570U-ZJ
	32LB570U-ZK		39LB570U-ZK	42LB570U-ZK
	32LB570V-ZB		39LB570V-ZB	42LB570V-ZB
	32LB570V-ZF		39LB570V-ZF	42LB570V-ZF
	32LB570V-ZJ		39LB570V-ZJ	42LB570V-ZJ
	32LB570V-ZK		39LB570V-ZK	42LB570V-ZK
	32LB572U-ZP		39LB572U-ZP	42LB572U-ZP
32LB572V-ZP		39LB572V-ZP	42LB572V-ZP	
Dimensions (W x H x D)	With stand (mm)	732 x 481 x 207	885 x 567 x 218	961 x 610 x 218
	Without stand(mm)	732 x 431 x 55.5	885 x 524 x 55.5	961 x 567 x 55.5
Weight	With stand (kg)	6.2	8.3	9.5
	Without stand (kg)	6.0	8	9.2
Power requirement		AC 100-240 V~ 50 / 60 Hz	AC 100-240 V~ 50 / 60 Hz	AC 100-240 V~ 50 / 60 Hz
Power consumption		75 W	100 W	110 W
MODELS	47LB57**		50LB57**	
	47LB5700-ZB		50LB5700-ZB	
	47LB5700-ZK		50LB5700-ZK	
	47LB570B-ZB		50LB570B-ZB	
	47LB570B-ZK		50LB570B-ZK	
	47LB570U-ZB		50LB570U-ZB	
	47LB570U-ZJ		50LB570U-ZJ	
	47LB570U-ZK		50LB570U-ZK	
	47LB570V-ZB		50LB570V-ZB	
	47LB570V-ZF		50LB570V-ZF	
	47LB570V-ZJ		50LB570V-ZJ	
	47LB570V-ZK		50LB570V-ZK	
	47LB572U-ZP		50LB572U-ZP	
47LB572V-ZP		50LB572V-ZP		
Dimensions (W x H x D)	With stand (mm)	1073 x 676 x 255	1128 x 708 x 255	
	Without stand(mm)	1073 x 629 x 55.8	1128 x 660 x 55.8	
Weight	With stand (kg)	12.7	14.2	
	Without stand (kg)	12.3	13.8	
Power requirement		AC 100-240 V~ 50 / 60 Hz	AC 100-240 V~ 50 / 60 Hz	
Power consumption		120 W	130 W	

MODELS		32LB58**	
		32LB580V-ZA 32LB580U-ZB 32LB580V-ZB 32LB580V-ZD 32LB5820-ZJ 32LB582B-ZJ 32LB582U-ZJ 32LB582V-ZJ 32LB582V-ZG	32LB5800-ZM 32LB580B-ZM 32LB580U-ZM 32LB580V-ZM
Dimensions (W x H x D)	With stand (mm)	732 x 481 x 207	732 x 475 x 233
	Without stand(mm)	732 x 431 x 55.5	732 x 431 x 55.5
Weight	With stand (kg)	6.2	8.1
	Without stand (kg)	6.0	6.0
Power requirement		AC 100-240 V~ 50 / 60 Hz	AC 100-240 V~ 50 / 60 Hz
Power consumption		75 W	75 W
MODELS		39LB58**	
		39LB580V-ZA 39LB580U-ZB 39LB580V-ZB 39LB580V-ZD 39LB5820-ZJ 39LB582B-ZJ 39LB582U-ZJ 39LB582V-ZJ 39LB582V-ZG	39LB5800-ZM 39LB580B-ZM 39LB580U-ZM 39LB580V-ZM
Dimensions (W x H x D)	With stand (mm)	885 x 567 x 218	885 x 564 x 238
	Without stand(mm)	885 x 524 x 55.5	885 x 524 x 55.5
Weight	With stand (kg)	8.3	10.4
	Without stand (kg)	8	8
Power requirement		AC 100-240 V~ 50 / 60 Hz	AC 100-240 V~ 50 / 60 Hz
Power consumption		100 W	100 W
MODELS		42LB58**	
		42LB580V-ZA 42LB580U-ZB 42LB580V-ZB 42LB580V-ZD 42LB5820-ZJ 42LB582B-ZJ 42LB582U-ZJ 42LB582V-ZJ 42LB582V-ZG	42LB5800-ZM 42LB580B-ZM 42LB580U-ZM 42LB580V-ZM
Dimensions (W x H x D)	With stand (mm)	961 x 610 x 218	961 x 607 x 238
	Without stand(mm)	961 x 567 x 55.5	961 x 567 x 55.5
Weight	With stand (kg)	9.5	11.7
	Without stand (kg)	9.2	9.2
Power requirement		AC 100-240 V~ 50 / 60 Hz	AC 100-240 V~ 50 / 60 Hz
Power consumption		110 W	110 W

MODELS		47LB58**	
		47LB580V-ZA 47LB580U-ZB 47LB580V-ZB 47LB580V-ZD 47LB5820-ZJ 47LB582B-ZJ 47LB582U-ZJ 47LB582V-ZJ 47LB582V-ZG	47LB5800-ZM 47LB580B-ZM 47LB580U-ZM 47LB580V-ZM
Dimensions (W x H x D)	With stand (mm)	1073 x 676 x 255	1073 x 670 x 267
	Without stand(mm)	1073 x 629 x 55.8	1073 x 629 x 55.8
Weight	With stand (kg)	12.7	14.8
	Without stand (kg)	12.3	12.3
Power requirement		AC 100-240 V~ 50 / 60 Hz	AC 100-240 V~ 50 / 60 Hz
Power consumption		120 W	120 W
MODELS		50LB58**	
		50LB580V-ZA 50LB580U-ZB 50LB580V-ZB 50LB580V-ZD 50LB5820-ZJ 50LB582B-ZJ 50LB582U-ZJ 50LB582V-ZJ 50LB582V-ZG	50LB5800-ZM 50LB580B-ZM 50LB580U-ZM 50LB580V-ZM
Dimensions (W x H x D)	With stand (mm)	1128 x 708 x 255	1128 x 703 x 267
	Without stand(mm)	1128 x 660 x 55.8	1128 x 660 x 55.8
Weight	With stand (kg)	14.2	16.3
	Without stand (kg)	13.8	13.8
Power requirement		AC 100-240 V~ 50 / 60 Hz	AC 100-240 V~ 50 / 60 Hz
Power consumption		130 W	130 W
MODELS		55LB58**	
		55LB580V-ZA 55LB580U-ZB 55LB580V-ZB 55LB580V-ZD 55LB5820-ZJ 55LB582B-ZJ 55LB582U-ZJ 55LB582V-ZJ 55LB582V-ZG	55LB5800-ZM 55LB580B-ZM 55LB580U-ZM 55LB580V-ZM
Dimensions (W x H x D)	With stand (mm)	1243 x 772 x 255	1243 x 766 x 293
	Without stand(mm)	1243 x 725 x 56.8	1243 x 725 x 56.8
Weight	With stand (kg)	18.4	21.85
	Without stand (kg)	18	18
Power requirement		AC 100-240 V~ 50 / 60 Hz	AC 100-240 V~ 50 / 60 Hz
Power consumption		140 W	140 W

MODELS		60LB58**
		60LB5800-ZM 60LB580B-ZM 60LB580U-ZM 60LB580V-ZM
Dimensions (W x H x D)	With stand (mm)	1373 x 838 x 293
	Without stand(mm)	1373 x 801 x 58.8
Weight	With stand (kg)	26.85
	Without stand (kg)	23.0
Power requirement		AC 100-240 V~ 50 / 60 Hz
Power consumption		150 W

CI Module Size (W x H x D)		100.0 mm x 55.0 mm x 5.0 mm
Environment condition	Operating Temperature	0 °C to 40 °C
	Operating Humidity	Less than 80 %
	Storage Temperature	-20 °C to 60 °C
	Storage Humidity	Less than 85 %

	Digital TV (Depending on model)	Analogue TV (Depending on model)
Television system	DVB-T(DVB-T/T2*) DVB-C DVB-S/S2*	PAL/SECAM B/G/I/D/K SECAM L/L'
Programme coverage	VHF, UHF C-Band*, Ku-Band*	VHF, UHF, CATV
Maximum number of storable programmes	DVB-S/S2 : 6,000 DVB-T/T2/C & Analogue TV : 1,500	
External antenna impedance	75 Ω	

* Only DVB-T2/C/S2 support models.







Please contact LG First.
If you have any inquiries or comments,
please contact LG customer information centre.

LG Customer Information Centre

Country	LG Service ☎	Country	LG Service ☎
Österreich	0 810 144 131	Nederland	0900 543 5454
België	015 200 255	Norge	800 187 40
Luxembourg	0032 15 200255	Polska	801 54 54 54
България	07001 54 54	Portugal	808 78 54 54
Česká Rep.	810 555 810	România	031 228 3542
Danmark	8088 5758	Slovensko	0850 111 154
Suomi	0800 0 54 54	España	902 500 234
France	3220 dites LG ou tapez 54	Sverige	0770 54 54 54
Deutschland	01806-11-54-11 (0,20€ pro Anruf aus dem Festnetz der DTAG; Mobilfunk: max. 0,60€ pro Anruf)	Schweiz	0848 543 543
Ελλάδα	801 11 200 900, 210 4800 564	United Kingdom	0844 847 5454
Magyarország	06 40 54 54 54	Россия	8 800 200 7676
Éire	0818 27 6955	Eesti	800 9990
Italia	199600099	Украина	0 800 303 000
Беларусь	8 820 0071 1111	Казахстан	8 8000 805 805, 2255(GSM)
Latvija	80200201	Узбекистан	8 800 120 2222
Lietuva	880008081	Қырғызстан	8 0000 710 005

www.lg.com

Record the model number and serial number of
the TV.

Refer to the label on the back cover and quote
this information to your dealer when requiring
any service.

MODEL _____

SERIAL _____

DVB[®]
Digital Video
Broadcasting