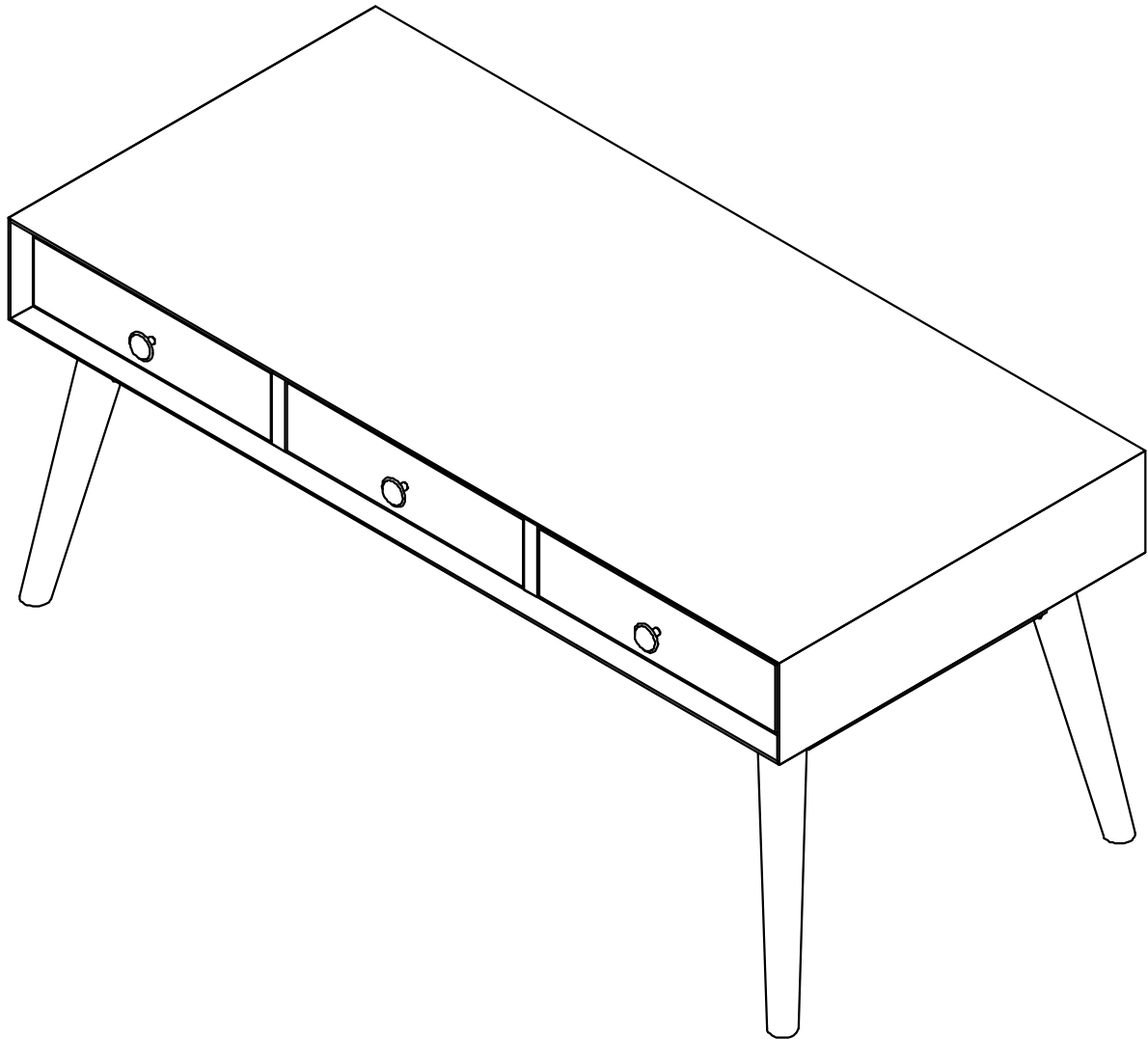


RETRO 3 DRAWERS COFFEE TABLE

Assembly Instructions - Please keep for future reference

213/3274



Dimensions

Width - 105cm

Depth - 50cm

Height - 45cm

Important – Please read these instructions fully before starting assembly

If you need help or have damaged or missing parts, call the **Customer Helpline: Argos= 0845 6400800**



Safety and Care Advice

Important – Please read these instructions fully before starting assembly

- Check you have all the components and tools listed on the following pages
- Remove all fitting from the plastic bags and separate them into their groups.
- Keep children and animals away from the work area, small parts could choke if swallowed.
- Make sure you have enough space to layout the parts before starting.

- During assembly do not stand or put weight on the product, this could cause damage.
- Assemble the item as close to its final position (in the same room) as possible.
- Assemble on a soft level surface to avoid damaging the unit or your floor.
- Parts of the assembly may be easier with 2 people.



power drill is set on a low torque setting.

- To reduce the likely hood of damaging your product please ensure that your

Care and maintenance

- Only clean using a damp cloth and mild detergent, do not use bleach or abrasive cleaners.
- From time to time check that there are no loose screws on this unit.
- This product should not be discarded with household waste. Take to your local authority waste disposal centre.

Handy Hints

- Assemble all parts and bolts loosely during assembly, only once the product is complete should you fully tighten the bolts
- Regularly check and ensure that all bolts and fittings are tightened properly.

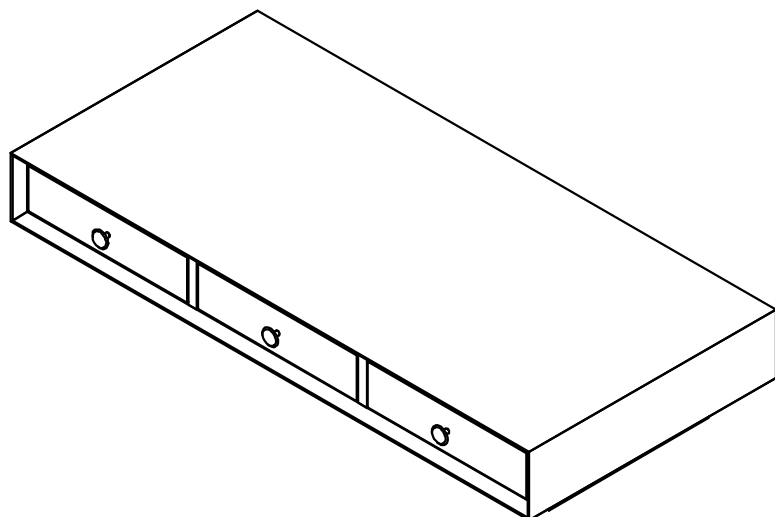
Note: if required the next page can be cut out and used as reference throughout the assembly. Keep this page with these instructions for future reference.

Components - Panels

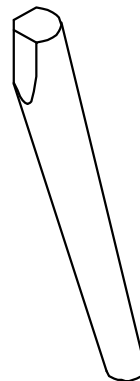
If you have damaged or missing components,
call the **Customer Helpline: Argos= 0845 6400800**

Please check you have all the panels listed below

1 Top Cabinet (105x50x17cm)



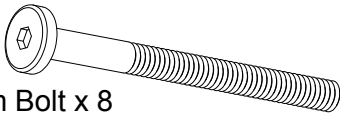
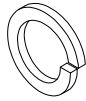
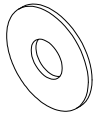

2 Legs x4 (4.8x34.6cm)



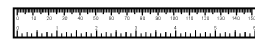
Components - Fittings

Please check you have all the fittings listed below

Note: The quantities below are the correct amount to completed the assembly. In some cases more fittings may be supplied than are required.

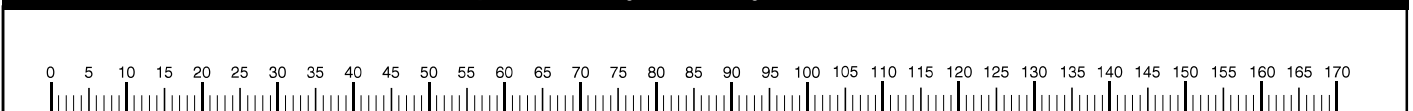
<p>A</p>  <p>M6x60mm Bolt x 8</p>	<p>B</p>  <p>Spring Washer x 8</p>	<p>C</p>  <p>Washer x 8</p>
<p>D</p>  <p>Allen Key x 1</p>		

Tools required



Ruler/tape measure

Ruler - Use this ruler to help correctly identify the screws

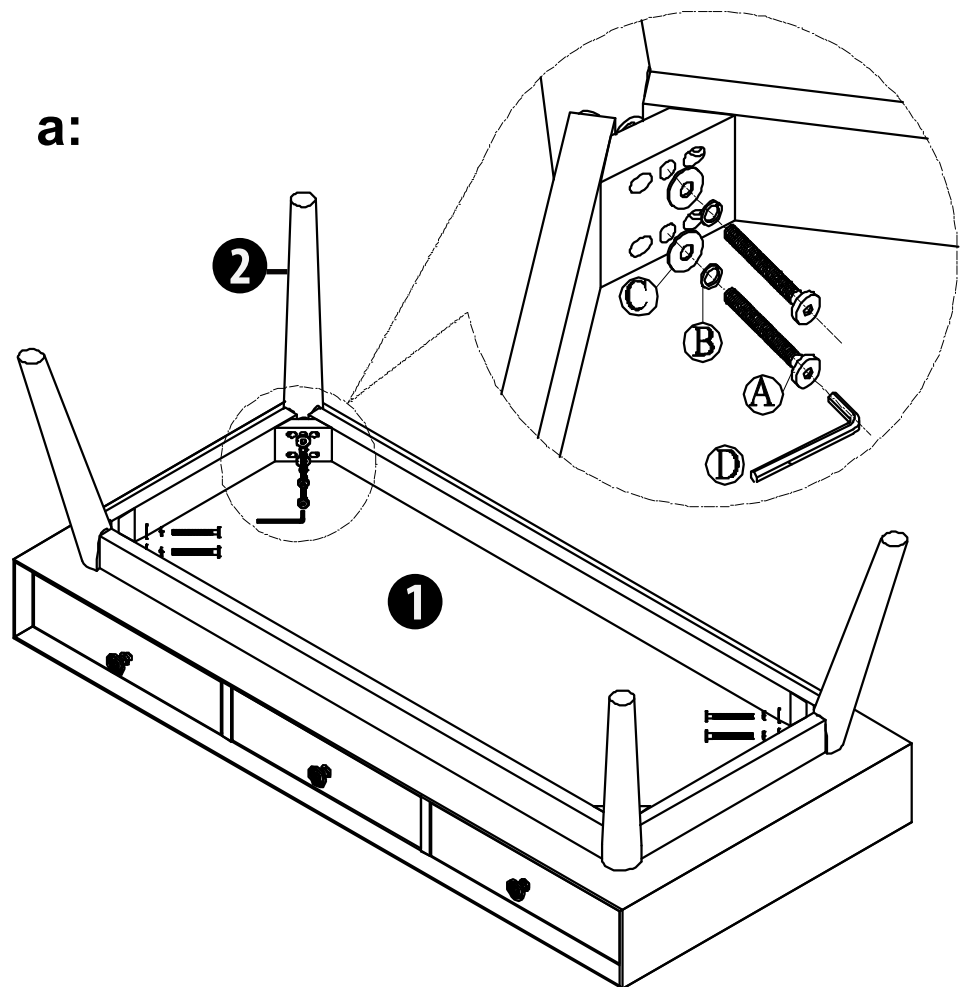


Assembly Instructions

Step 1

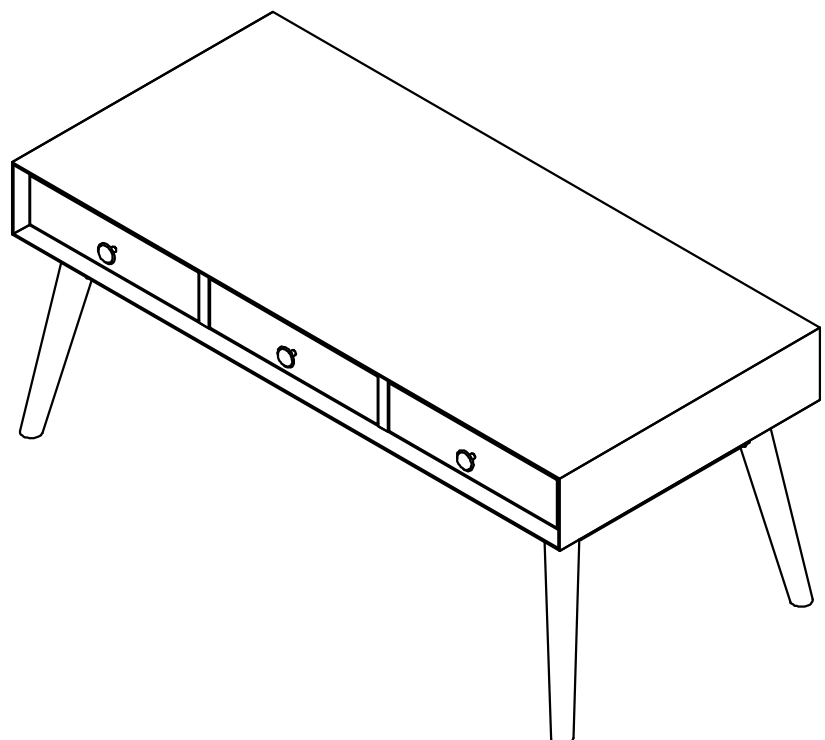
Assemble legs

a: Turn over the top cabinet **1** on smooth and clean surface. Attach legs **2** to top cabinet **1** by bolts **A**, spring washers **B**, washers **C** and Allen key **D**. Do not tighten the bolts.



b: Turn over the cabinet. Tighten all bolts.

b:



Assembly is completed.