

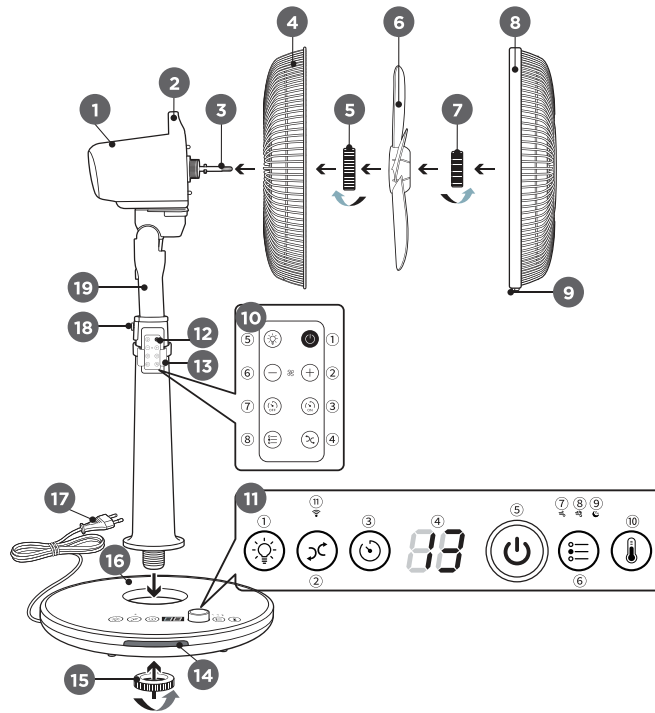


EN Instruction manual



SMART DC Pedestal Fan
01.358450.02.001

Parts description



IMPORTANT SAFETY INSTRUCTIONS

Read all instructions before using your product. By ignoring the safety instructions the manufacturer cannot be held responsible for the damage. When using an electrical appliance, basic safety precautions should always be observed, including the following:

IMPORTANT: This appliance can be used by children aged from 8 years and above and persons with reduced physical, sensory or mental capabilities or lack of experience and knowledge if they have been given supervision or instruction concerning use of the appliance in a safe way and understand the hazards involved. Children shall not play with the appliance. Cleaning and user maintenance shall not be made by children without supervision.

WARNING

TO REDUCE THE RISK OF FIRE, ELECTRIC SHOCK OR INJURY:

- Never move the appliance by pulling the cord and make sure the cord does not become entangled. If the supply cord is damaged, it must be replaced by the manufacturer, its service agent or similarly qualified persons to avoid a hazard.
- The appliance must be placed on a stable, level surface.
- The user must not leave the device unattended while it is connected to the supply.

- This appliance is only to be used for household purposes and only for the purpose it is made for.
- To protect yourself against an electric shock, do not immerse the cord, plug or appliance into water or any other liquid.
- To prevent fire or shock hazard do not expose this appliance to rain or moisture.

Other safety considerations

- Never insert your fingers or any other object into the air outlet. Take special care to warn children of these dangers.
- Do not use the unit:
 - near a source of fire.
 - in an area exposed to direct sunlight.
 - in an area where water is likely to splash.
 - near a bath, a shower or a swimming pool.
- **WARNING:** Do not wrap the cable around the main body of the appliance during or after use.
- **WARNING:** Misuse of the appliance could cause personal injury.

- **Warning !** Never use without the guards in place. After assembly, do not remove the guards during use or cleaning.
- **THIS PRODUCT IS INTENDED FOR HOUSEHOLD USE ONLY.** Do not use this appliance for anything other than its intended use. Do not use outdoors.
- **WARNING : KEEP THE BUTTON BATTERY OUT OF THE REACH OF CHILDREN.** Swallowing can lead to chemical burns, perforation of soft tissue, and death. Severe burns can occur within 2 hours of ingestion. Seek medical attention immediately
- This appliance is intended to be used in household and similar applications such as:
- Staff kitchen areas in shops, offices and other working environments.
- By clients in hotels, motels and other residential type environments.
- Bed and breakfast type environments.
- Farm houses.



This product complies with conformity requirements of the applicable European Regulations or Directives.



This product complies with conformity requirements of the applicable UK Regulations.



Waste electrical products should not be disposed of with household waste. Please recycle where facilities exist. Check with your Lokal Authority or local store for recycling advise.

**FOR HOUSEHOLD USE ONLY
SAVE THESE INSTRUCTIONS**

Cleaning and maintenance

- Clean the appliance with a damp cloth. Never use harsh and abrasive cleaners, scouring pad or steel wool, which damages the device.
- Never immerse the electrical device in water or any other liquid. The device is not dishwasher proof.

Safety Batteries

- Do not expose the battery to high temperatures or direct sunlight. Never throw batteries into the fire. There is a danger of explosion!
- Keep batteries away from children. Batteries are not a toy!
- Do not open the batteries by force.
- Avoid contact with metallic objects.(Rings, nails, screws et cetera) there is a danger of short-circuiting!
- As a result of a short-circuit batteries may heat up considerably or even catch fire. this may result in burns.
- For your safety the battery poles should be covered with adhesive strips during transport.
- Do not touch a ruptured and/or leaking battery. If the liquid from the battery gets into your eyes, rinse your eyes as soon as possible with clean water, without rubbing your eyes. Immediately go to the hospital. If it is not treated properly, it can cause eye problems.
- Do not ingest battery, Chemical Burn Hazard;

- This product contains a coin/button cell battery. If the coin/button cell battery is swallowed, it can cause severe internal burns in just 2 hours and can lead to death.
- If the battery compartment does not close securely, stop using the product and keep it away from children.
- If you think batteries might have been swallowed or placed inside any part of the body, seek immediate medical attention.
- The batteries contain materials, which are hazardous to the environment; they must be removed from the appliance before it is scrapped and they are disposed of safely

Safety Coin cell



BATTERY WARNING: KEEP OUT OF REACH OF CHILDREN

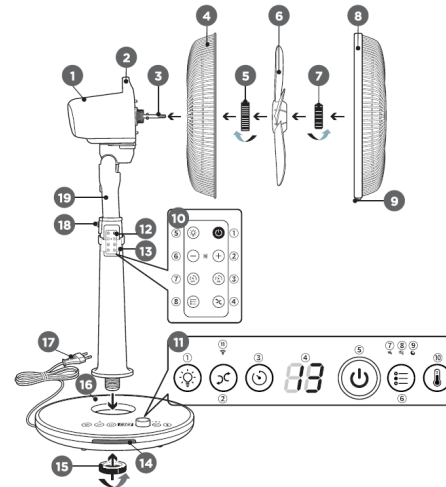
Store spare batteries securely. Dispose of used batteries immediately and safely. If you think batteries might have been swallowed or placed inside any part of the body, seek immediate medical attention.

- If the battery compartment does not close securely, stop using the product and keep it away from children.
- Be alert, there are no obvious symptoms if a child has swallowed a button or coin battery. If your child appears unwell and there are no obvious symptoms, then check to make sure there are no batteries missing from any items they have been around. If you suspect they have swallowed a coin/button cell, then seek medical attention. Similarly, if they vomit bright red fresh blood seek immediate medical help.
- Always remain vigilant with discharged or spare button or coin batteries in the home and in products that contain them.



PRODUCT CONTAINS A COIN/BUTTON CELL

PARTS DESCRIPTION



Name of parts

| | | | |
|----------------------|--------------------|-----------------------------|------------------------------|
| 1. Motor | 6. Blade | 11. Control panel | 16. Base |
| 2. Handle | 7. Blade nut | 12. Remote control | 17. Power cord |
| 3. Motor shaft | 8. Front guard | 13. Remote control holder | 18. Height adjustment button |
| 4. Rear guard | 9. Clip | 14. Remote control receptor | 19. Stand |
| 5. Guard stopper nut | 10. Remote control | 15. Nut | |

Remote control

| | |
|---------------------|----------------------|
| 1. On/Off button | 5. Night mode button |
| 2. Speed button (+) | 6. Speed button (-) |
| 3. On timer button | 7. Off time button |
| 4. Swing button | 8. Mode button |

Control panel

| | |
|-------------------------------------|--------------------------|
| 1. Night mode button | 6. Mode button |
| 2. Swing button | 7. Normal mode indicator |
| 3. On/off timer button | 8. Nature mode indicator |
| 4. Led display window | 9. Sleep mode indicator |
| 5. On/off & speed adjustment button | 10. Smart button |
| 11. WiFi indicator | |

BEFORE THE FIRST USE

- Take the appliance and accessories out the box. Remove the stickers, protective foil or plastic from the device.
- Before using your appliance for the first time, wipe off all removable parts with a damp cloth. Never use abrasive products.
- Place the device on a flat stable surface and ensure a minimum of 10 cm. free space around the device. This device is not suitable for installation in a cabinet or for outside use.
- Put the power cable into the socket. (Note: Make sure the voltage which is indicated on the device matches the local voltage before connecting the device. Voltage 220V-240V 50Hz).

How to assemble

Installing the base

1. Remove the nut from the stand, and insert the stand into the base.
2. Tighten the nut from the bottom of base to secure the stand to the base.
3. Tighten the nut securely, not to be loosened.

Installing the rear guard

4. Remove the guard stopper nut ,cap and Blade nut. Fix the rear guard to the motor.
5. Tighten the guard stopper nut securely.

Installing the blade

6. Insert the blade into the motor shaft closely.
7. Tighten the blade with blade nut.

Installing the front guard

8. Align the hook of front guard with the marked spot at the top of rear guard, then insert the wire rod. Match front and rear guards, insert in order from top to bottom (all the way around). Engage the clip to fix the front and rear guard as shown in the figure and fix with screw.

How to adjust the height of slide pipe

Press the height adjustment button to release the lock and enable to adjust the height of slide pipe.

Attention:

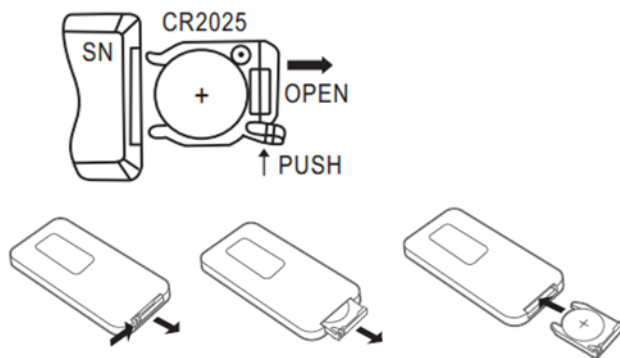
- Make sure to fix the slide pipe before carrying.
- When you have difficulty in raising up the slide pipe or pressing the height adjustment button, once push down the pipe, then press the button and raise the pipe.

How to adjust the vertical wind direction by hand

- Adjust to the desired angle with grasping the main body, holding the handle and oscillating up and down.

Replacing the battery of the remote control

Note: Please follow battery disposal instruction on battery packaging, or contact your local councils for safely disposal of batteries.



USE

On/off button

- Each press of the button will switch to on or off.
- After connect to the power supply, the fan will be in standby mode, press the on/off button, the fan starts operation at level 3 (speed of level 3 is displayed on the LED display window).
- Memory function:

- When fan stops and you press the on/off button, the fan starts operation at the previous setting of speed and swing mode.
- When completely unplugged, memory will be deleted.

Speed adjustment button

- Turn the speed adjustment button to choose the desired speed between 1 and 24.
- Turn the adjustment in the clockwise direction could strengthen the speed, counter clockwise of direction could moderate the speed. The set speed will be shown on the LED display window.

Timer button

On timer setting:

- Press the timer button to start the time setting, each push adds / decreases 1 hour with a maximum of 24 hours. The LED display window indicate the number of hours selected. "0H" means the device is not in timer mode.

Off timer setting:

- With the device on, press timer button to enter off timer mode, press timer button again to choose the hour between 1H and 24H.
- After 5 seconds without action, the setting is saved and current set speed will be shown on the LED display window. Press the timer button again, the preset hour will be display on the LED display window.
- When the preset hours of off timer has passed, the fan stops operation.
- Press on/off button to exit timer mode, the fan starts operation at "Normal" setting.
- Attention: The appliance cannot set on and off timer simultaneously.

Swing (Oscillation) button

- Press to swing horizontally, press again to stop swing.

Mode button

- Press this button to choose between the following modes, and the corresponding mode icon on the LED display lights up.
 - Normal mode: Working at the setting level.
 - Nature mode: The device changes the speed at intervals depending on the selected starting speed, thereby producing pleasant and natural air circulation.
 - Sleep mode: The night mode is like the natural mode and starting from the selected start speed, it automatically switches between the levels. The fan changes to the next lower speed level every 30 minutes. Once it reaches the lowest level, it remains in this mode until the device is turned off by the sleep timer or manually.

Smart button

- With this function enabled, the fan can automatically change fan speeds if the ambient temperature is above 24°C.
- Note: If this function is enabled and the ambient temperature is below 24°C, the fan will not operate.
- Press the smart mode button on the base of the fan to activate or deactivate the smart mode fan speed.
- If activated and the ambient temperature is above 24°C, the fan will operate and the fan speed will be automatically set and changed according to the ambient temperature. The LED display will always show the current ambient temperature

Night mode button

- Press night mode button, the LED light would adjust to normal light → night mode (lower brightness) → light Off.

USING THE DEVICE WITH PRINCESS HOME APP

- Download the correct version of the Princess Home app via our website princesshome.eu/nl-nl/princess-home-app or use QR:



iOS™



Android™

Pair your device to the Princess Home app

- Make sure your device is powered.
- Press and hold the Mode button on the fan for 5 seconds. The WIFI icon flashes.
- Open the Princess Home app.
- Select your country code, enter the cell phone number and tap "Get" to get a message containing the verification code.
- Enter the verification code in the message and tap "Log in" to log in to the App.
- Click "Add Device" to add a new device.
- Select the device you wanted to connect.
- Follow the instructions on the app to connect the device.
- When the fan is connected to the app, the WIFI icon lights up.

- To control your device with voice using a smart speaker please refer to the manufacturer's instructions on how to enable a skill through your device.

ENVIRONMENT



■ This appliance should not be put into the domestic garbage at the end of its durability, but must be offered at a central point for the recycling of electric and electronic domestic appliances. This symbol on the appliance, instruction manual and packaging puts your attention to this important issue. The materials used in this appliance can be recycled. By recycling of used domestic appliances you contribute an important push to the protection of our environment. Ask your local authorities for information regarding the point of recollection.



Disposal of an exhausted battery.

To preserve natural resources, please recycle or dispose of the batteries properly.

Consult your local waste authority for information regarding available recycling and / or disposal options.

Support

You can find all available information and spare parts at www.princesshome.co.uk.





This product is only suitable for well insulated spaces or occasional use.

Wireless technology: Wi-Fi

Operating frequency: 2412-2472MHz

Max. radio-frequency power: 18.57dBm



smartwares[®] Europe
Swaardvenstraat 65 | 5048 AV | Tilburg
The Netherlands | www.princesshome.eu



smartwares[®] Safety and Lighting Ltd.
West Point, Second Floor | Mucklow Office Park
Mucklow Hill | Halesowen | West Midlands | B62 8DY
United Kingdom | www.princesshome.co.uk