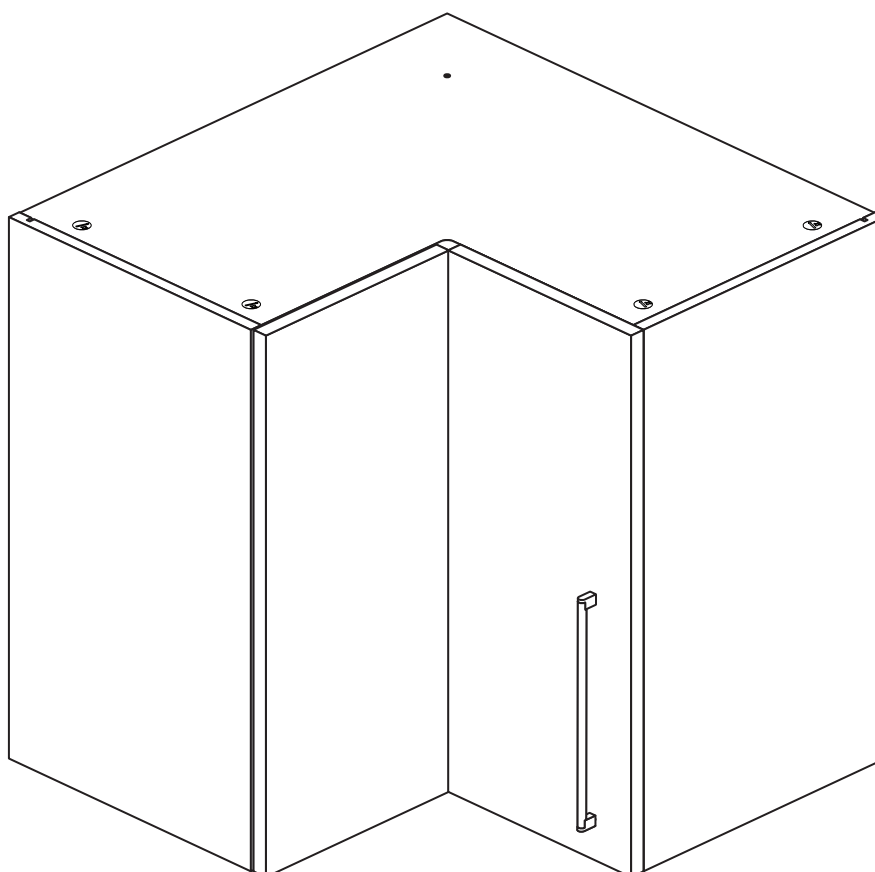


Valencia - Corner Wall Cabinet

Assembly Instructions - Please keep for future reference

hygena

Cabinet	656/5752
Black Door Pack	633/2992
Cream Door Pack	633/2978
Oak Door Pack	205/3079
White Gloss Door Pack	633/2985
White HN Door Pack	203/7215



Dimensions

Width - 57cm

Depth - 57cm

Height - 72cm



**MADE IN
BRITAIN**

Important - Please read these instructions fully before starting assembly

If you need help or have damaged or missing parts, call the **Customer Helpline: 08456 400800**



Safety and Care Advice

Important - Please read these instructions fully before starting assembly

- **Warning:** This unit weighs approximately 16kgs. Please lift with care.
- Check you have all the components and tools listed on pages 2 to 5.
- Remove all fittings from the plastic bags and separate them into their groups.
- Keep children and animals away from the work area, small parts could choke if swallowed.
- Parts of the assembly will be easier with 2 people.

- Make sure you have enough space to layout the parts before starting.
- Do not stand or put weight on the product, this could cause damage.
- Assemble the item as close to its final position (in the same room) as possible.
- Assemble on a soft level surface to avoid damaging the unit or your floor (use opened out unit carton).



• We do not recommend the use of power drill/drivers **for inserting screws**, as this could damage the unit. Only use hand screwdrivers.

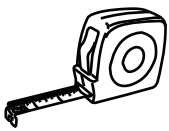
• **Safety note:** It is recommended that this unit is secured to a wall using the brackets supplied.

• Dispose of all packaging carefully and responsibly.

Care and maintenance

- Only clean using a damp cloth and mild detergent, do not use bleach or abrasive cleaners.
- From time to time check that there are no loose screws on this unit.
- This product should not be discarded with household waste. Take to your local authority waste disposal centre.

Tools required



Rule



Cross-head screwdriver



Scissors



Hammer



Eye protection (when using a hammer or drill)



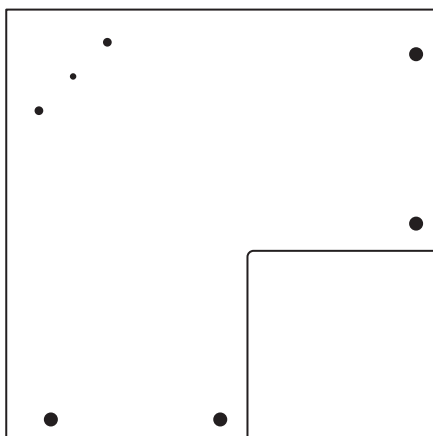
Electric drill

Note: If required the next page can be cut out and used as reference throughout the assembly. Keep this page with these instructions for future reference.

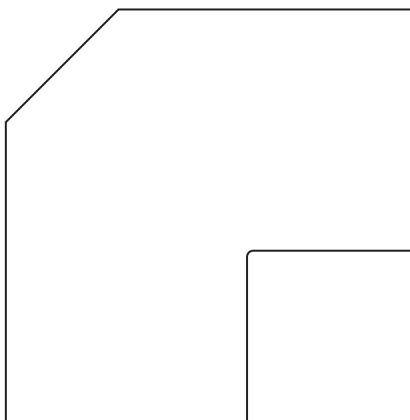
Components - Panels

If you have damaged or missing components, call the **Customer Helpline: 08456 400800** quoting the reference numbers below

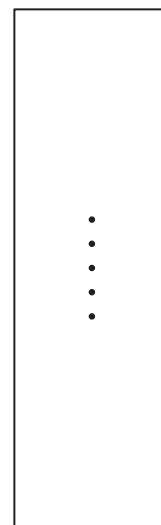
Please check you have all the panels listed below



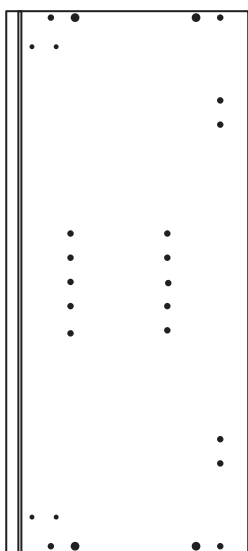
1 Top/Base (DPF101A)
(566 x 566mm) x 2



2 Loose Shelf (DPF102A)
(545 x 545mm)



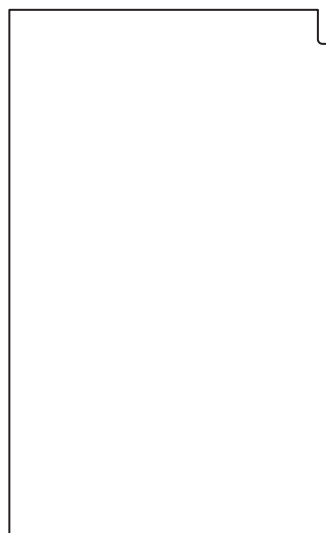
3 Back (DPF103A)
(205 x 684mm)



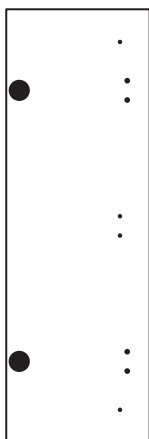
4 End Panel (DPF141B)
(320 x 716 mm) x 2



5 Left Back Panel (DPF104A)
(430 x 694 mm)



6 Right Back Panel (DPF105A)
(430 x 694 mm)



7 Door (DPF144B)
(238 x 716mm) x 2


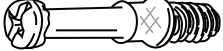


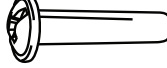




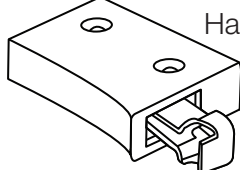
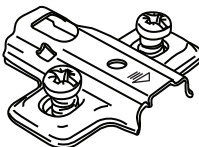

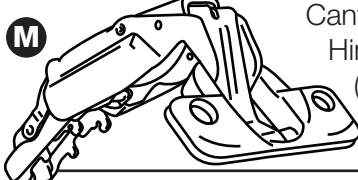
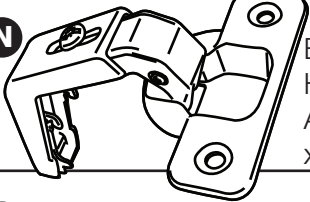
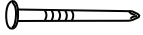
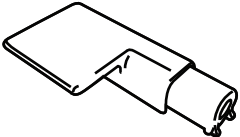
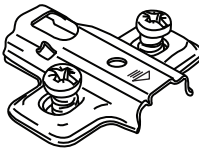
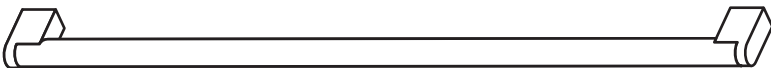



Components - Fittings

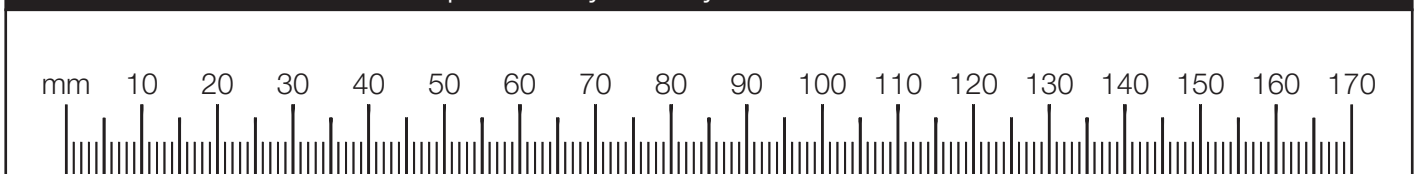
If you have damaged or missing components, call the **Customer Helpline: 08456 400800** quoting the reference numbers below

Please check you have all the fittings listed below

Note: The quantities below are the correct amount to complete the assembly. In some cases more fittings may be supplied than are required.

<p>A </p> <p>Wooden dowel (F22) x 12</p>	<p>B </p> <p>Metal dowel (F901) x 8</p>	<p>C </p> <p>Large locking nut (F900) x 8</p>
<p>D </p> <p>13mm Screw (F63) x 8</p>	<p>E </p> <p>Connecting Sleeve (F432) x 2</p>	<p>F </p> <p>19mm Connecting bolt (F461) x 2</p>
<p>G </p> <p>25mm Screw (F50) x 4</p>	<p>H </p> <p>Shelf support (F110) x 5</p>	<p>I </p> <p>Wall bracket (F198) x 2</p>
<p>J </p> <p>Hanging bracket (F181) x 2</p>	<p>K </p> <p>2mm Hinge Plate (F157) x 2</p>	<p>L </p> <p>40mm Screw (F910) x 2</p>
<p>M </p> <p>Cantilevered Hinge Arm (F155) x 2</p>	<p>N </p> <p>Bent Hinge Arm (F154) x 2</p>	<p>O </p> <p>Nail (F51) x 8</p>
<p>P </p> <p>Soft Close Unit (F156) x 2</p>	<p>Q </p> <p>4mm Hinge Plate (F158) x 2</p>	
<p>R a </p> <p>Handle (F214) x 1</p> <p>R b </p> <p>25mm Screw (F132) x 2</p>		

Ruler - Use this ruler to help correctly identify the screws



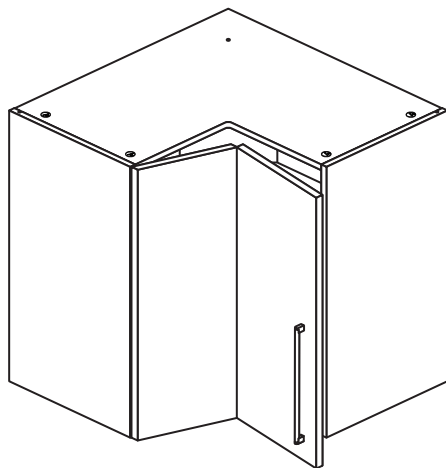
Assembly Instructions

If you have damaged or missing components, call the **Customer Helpline: 08456 400800** quoting the reference numbers below

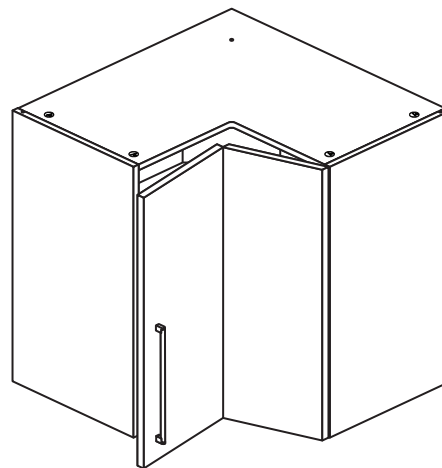
Step 1

Choose which way you would like the door to open

You can fit the door to the left side or right side.



If you would like your door to open this way, fit the hinge plates to the left side



If you would like your door to open this way, fit the hinge plates to the right side

Step 2

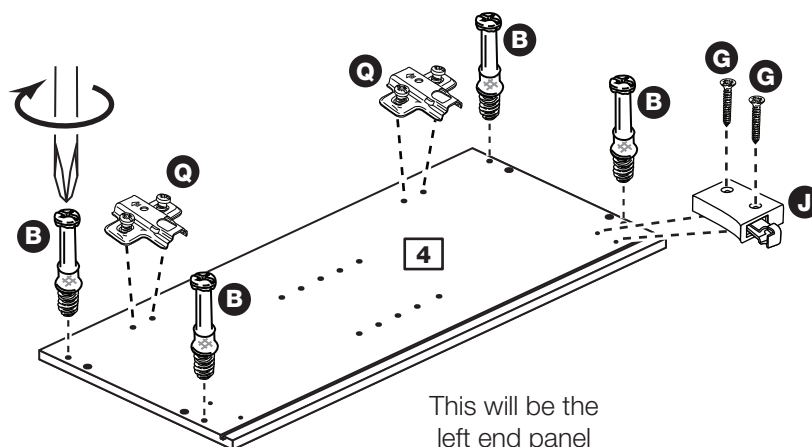
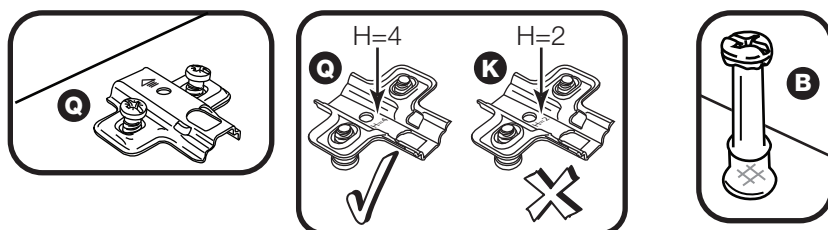
Prepare the left end panel

Refer to step 1 and, if required, fit 2 hinge plates **Q** onto the left end panel **4**, orientated as shown.

Screw 4 metal dowels **B** into the holes shown on the left end panel **4**.

Note: Tighten metal dowels up fully against the panels.

Fit a hanging bracket **J** to the left side **4** using 2 screws **G**, making sure that the hook is towards the back edge.



Assembly Instructions

Step 3

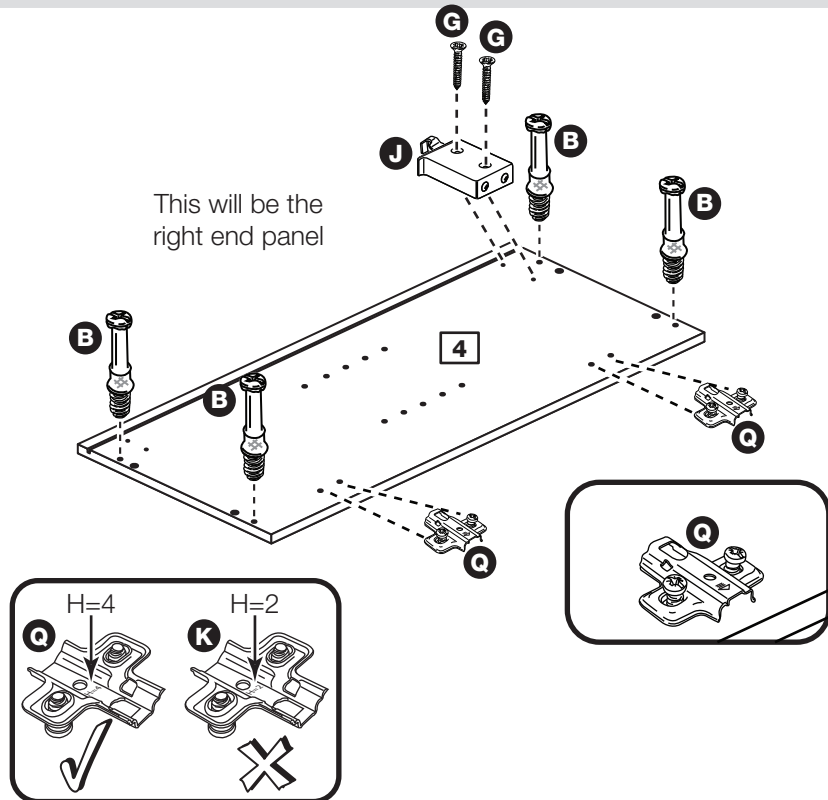
Prepare the right end panel

Refer to step 1 and, if **required**, fit 2 hinge plates **Q** onto the right end panel **4**, orientated as shown.

Screw 4 metal dowels **B** into the holes shown on the right end panel **4**.

Note: Tighten metal dowels up fully against the panels.

Fit a hanging bracket **J** to the right side **4** using 2 screws **G**, making sure that the hook is towards the back edge.



Step 4

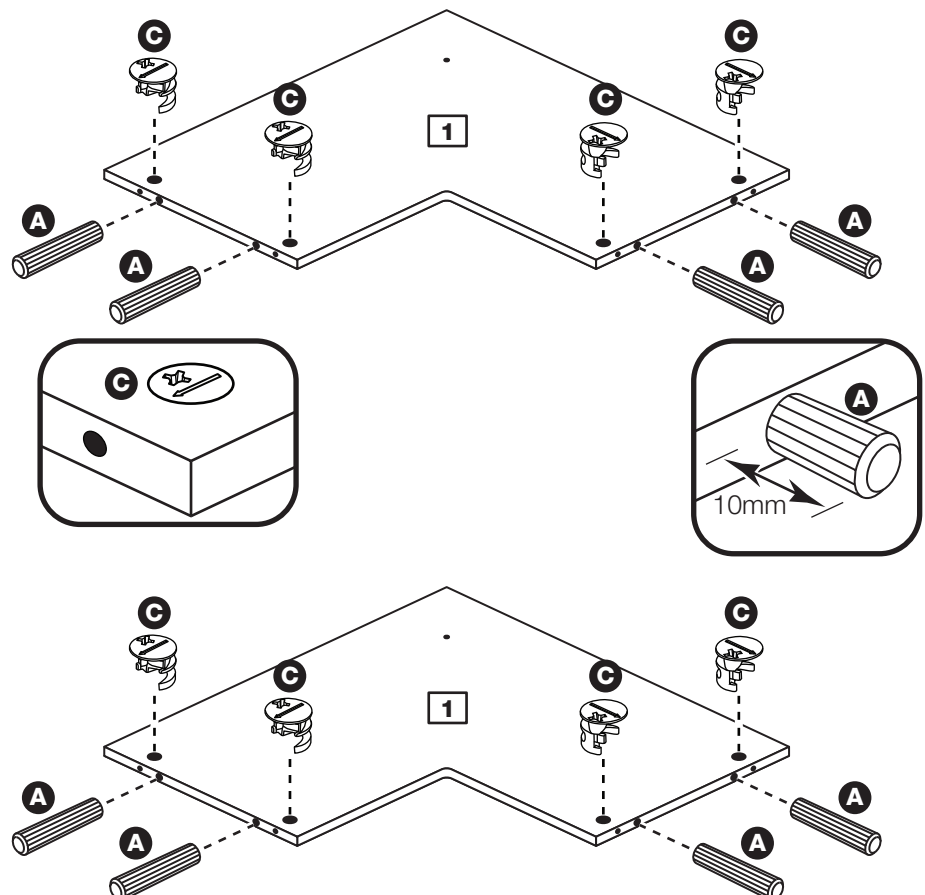
Prepare the top and base

Insert 4 large locking nuts **C** into the top **1** and base **1** as shown.

Note: Arrow on locking nut **must** point towards hole in edge of panel.

Tap 4 wooden dowels **A** into the top **1** and base **1** as shown.

Note: Wooden dowels **must not** stick out from the edge by more than 10mm or they may damage other panels.



Assembly Instructions

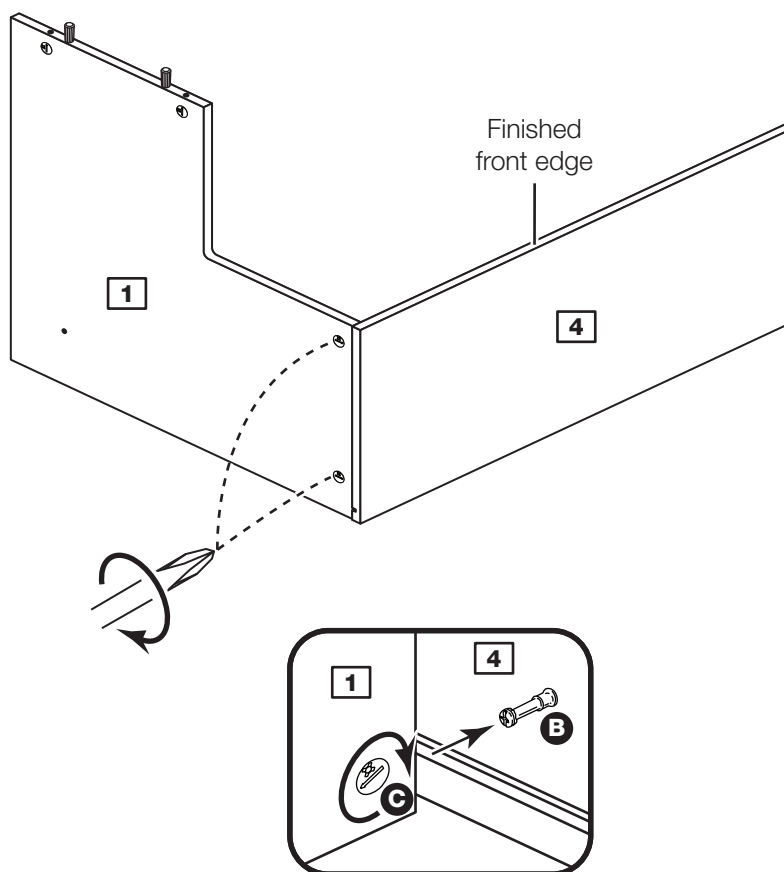
Step 5

Join the right end panel and base

Push the base **1** onto the right end panel **4**.

Use a screwdriver to tighten the 2 large locking nuts **C** fitted to the base **1**.

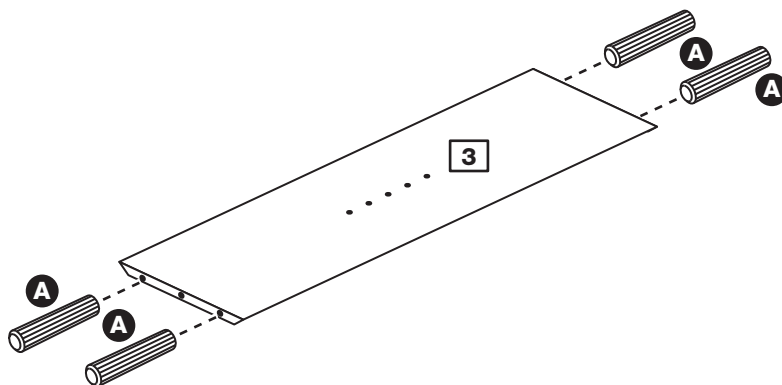
Note: Turn the large locking nuts **C** as far as they will go - more than 1/2 a turn.



Step 6

Prepare the back

Tap 4 wooden dowels **A** into the back **3** as shown.

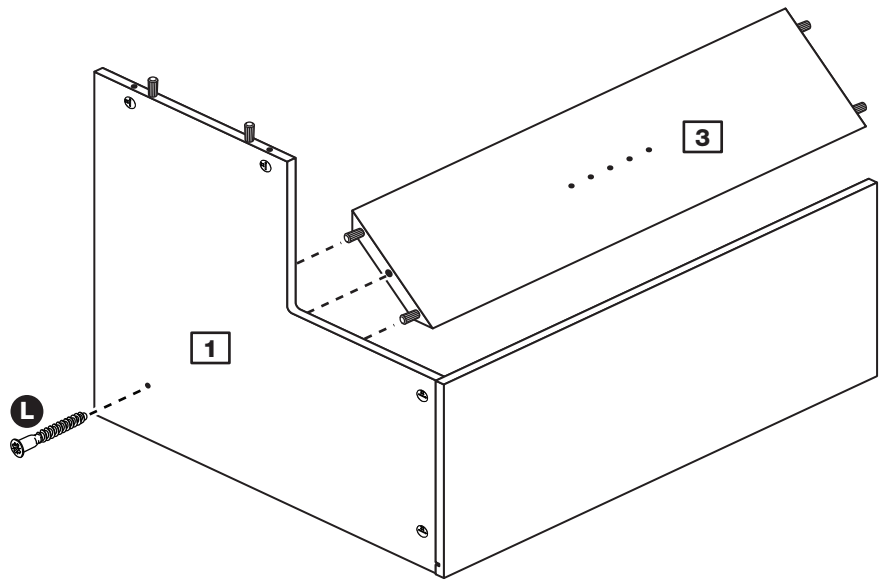


Assembly Instructions

Step 7

Fit the back

Push the back **3** onto the base **1** and secure with screw **L**.



Step 8

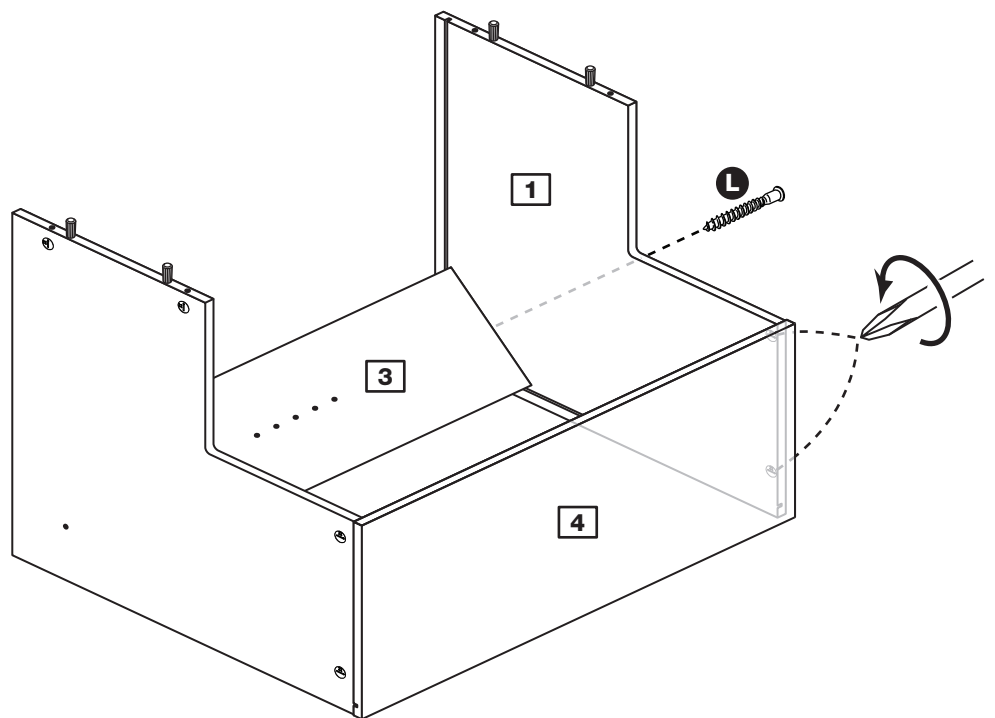
Fit the top

Push the top **1** onto the right end panel **4** and back **3**.

Use a screwdriver to tighten the 2 large locking nuts **C** fitted to the top **1**.

Note: Turn the large locking nuts **C** as far as they will go - more than 1/2 a turn.

Secure the back **3** to the top **1** with screw **L**.

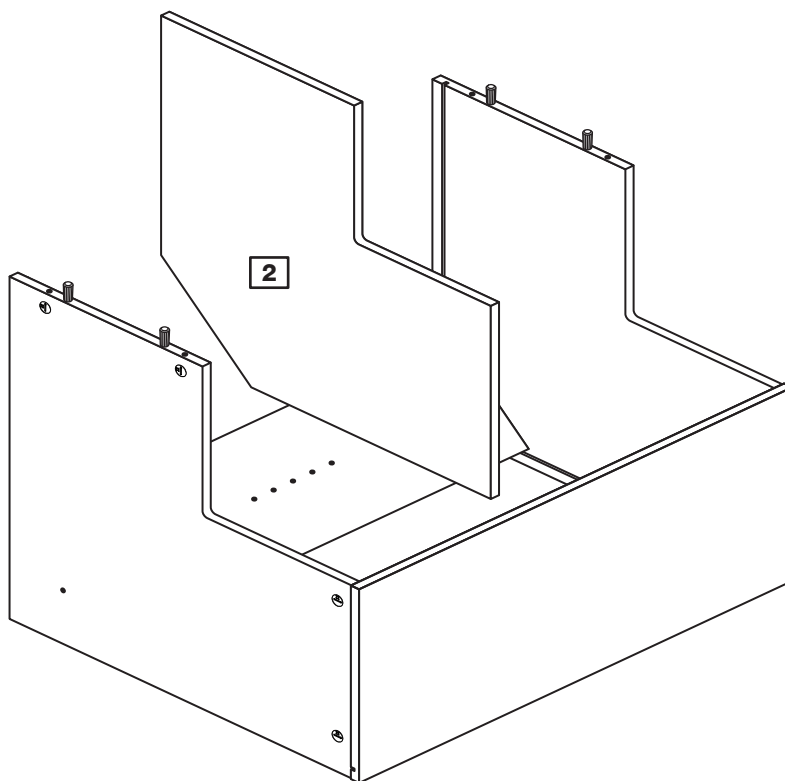


Assembly Instructions

Step 9

Insert the loose shelf

Place the loose shelf **2** inside the unit.



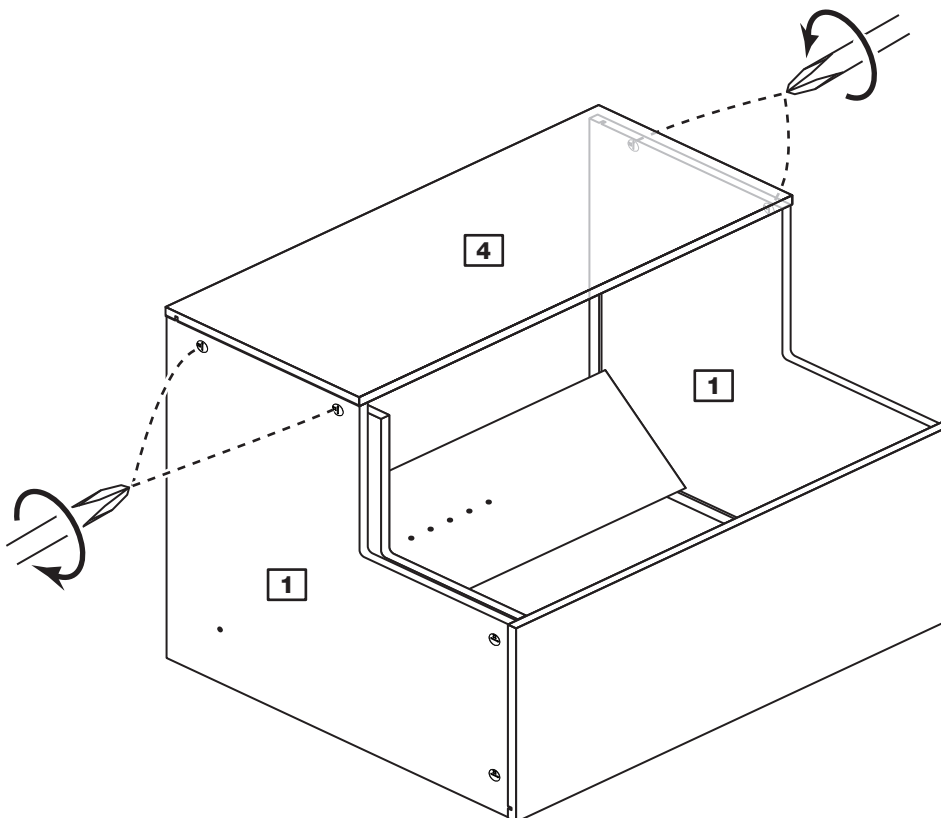
Step 10

Fit the left end panel

Push the left end panel **4** onto the base **1** and top **1**.

Use a screwdriver to tighten the 4 large locking nuts **C** fitted to the base **1** and top **1**.

Note: Turn the large locking nuts **C** as far as they will go - more than 1/2 a turn.



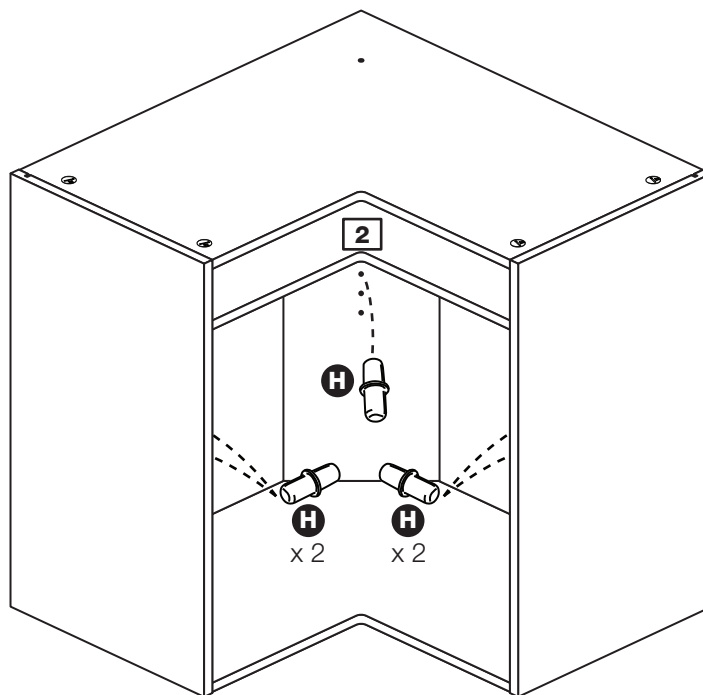
Assembly Instructions

Step 11

Fit the loose shelf

Insert 5 shelf studs **H** at the required height.

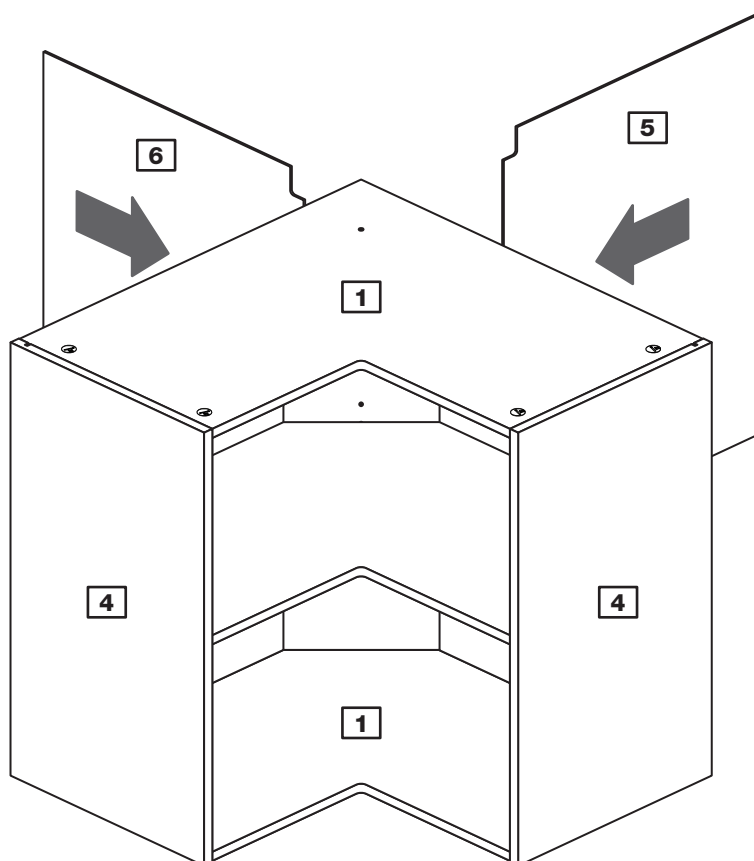
Lift and then lower the loose shelf **2** down onto the shelf studs **H**.



Step 12

Fit the backs

Slide the left back **5** and right back **6** along the grooves in the top **1** and base **1** and into the grooves in the panel ends **4**.

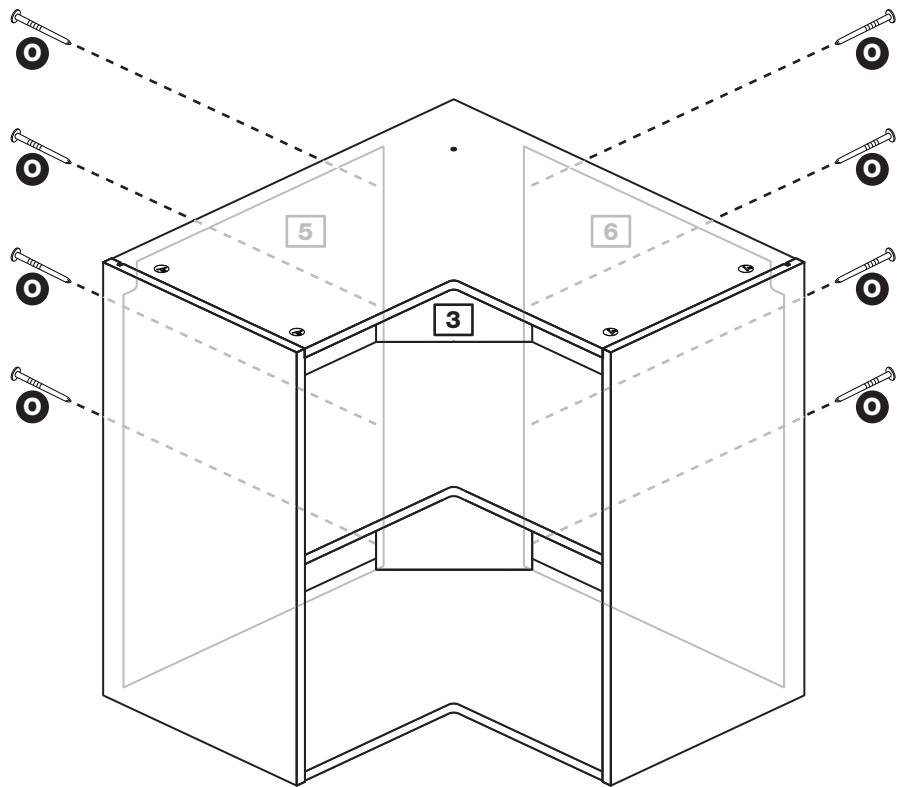


Assembly Instructions

Step 13

Fit right back

Secure the left back **5** and right back **6** to the sides of the back **3** using 8 nails **0**.



Assembly Instructions

Step 14

Fit the unit to the wall

If you are joining this unit to another one, also refer to step 10.

To fix the unit to the wall, place the unit in the required position and lightly mark the outline of the top corners of the unit with a pencil.

Fit the 2 wall brackets **I** to the dimensions shown in the top diagram. The screws and plugs are not supplied as they need to be the correct type to suit your wall.

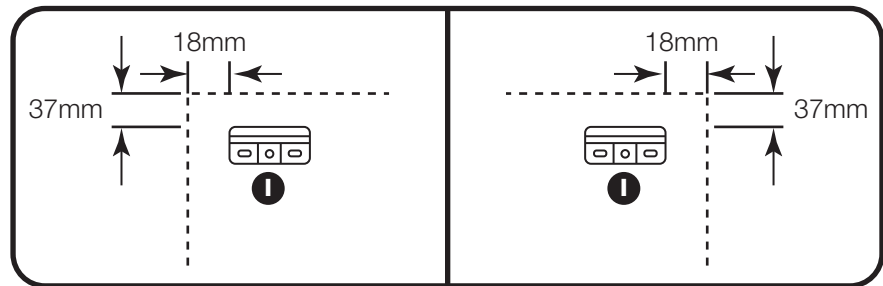


Warning: Take care when drilling the wall that you do not drill into any pipes, wires etc. If in doubt, consult an expert.

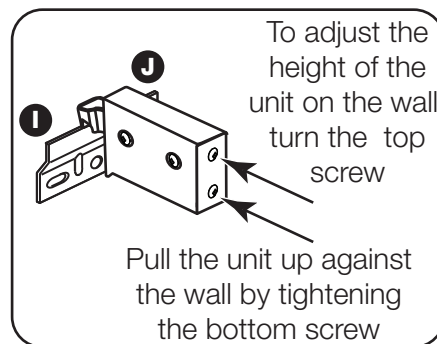
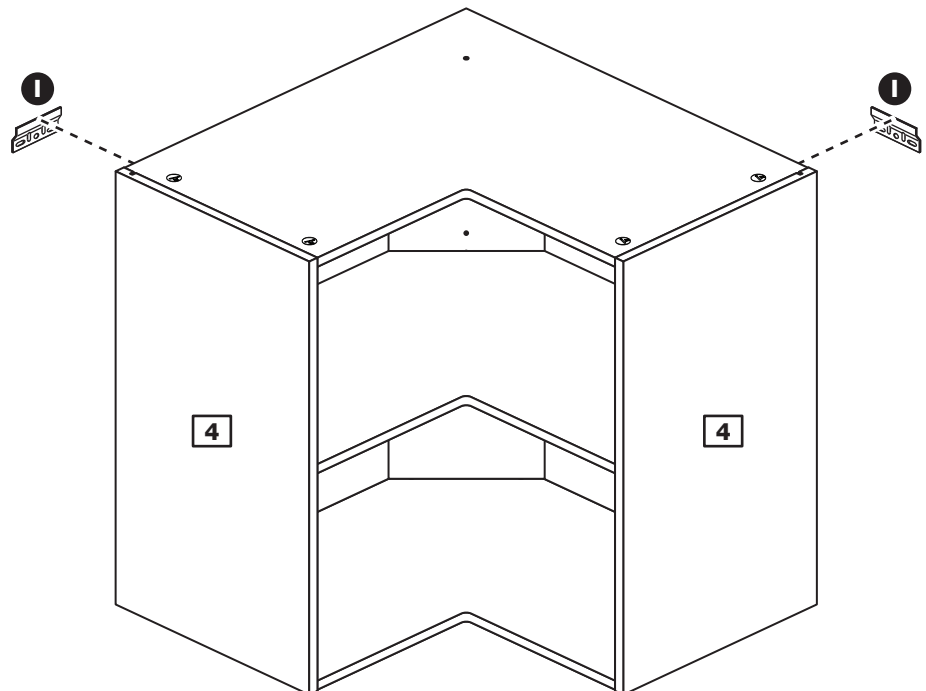
Place your unit onto the wall brackets **I**, via the hanging brackets **J** which you have fitted to the end panels **4** of the unit.

Use the screw at the top of the wall brackets **J** to adjust the height of the unit.

Finally, pull the unit up against the wall by tightening up the bottom screw in the hanging brackets **J**.



Warning: The unit is heavy. Lift with care.



Assembly Instructions

Step 15

Joining units together

Fittings have been supplied so you are able to join units together.

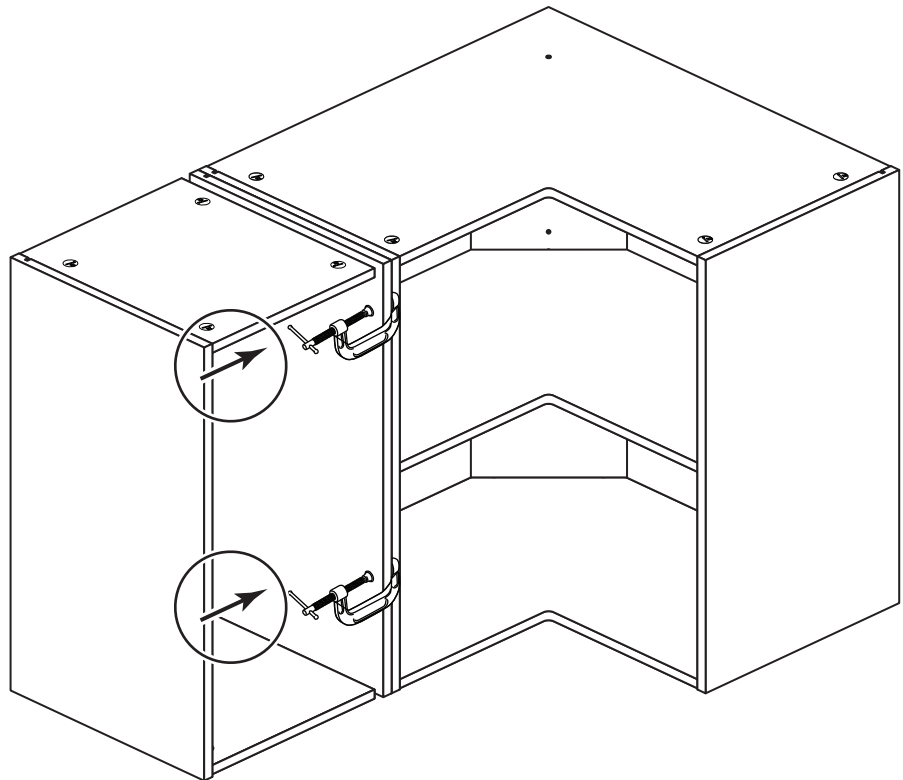
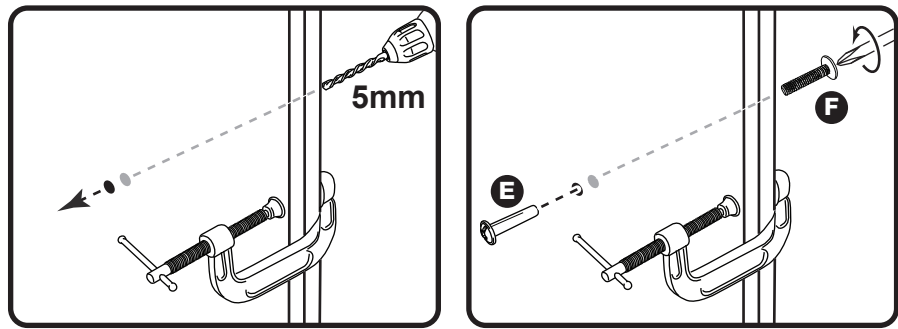
Make sure that your first unit is level.

Push the other unit up against first unit and ensure both units are level.

Check that the ends are flush and in line, then clamp them together.

Using a 5mm drill bit, drill 2 holes (approximate positions shown circled) in the side panel into the adjoining side panel of the other unit.

Push the connecting sleeves **E** into the holes and then screw the connecting bolts **F** in from the other side.



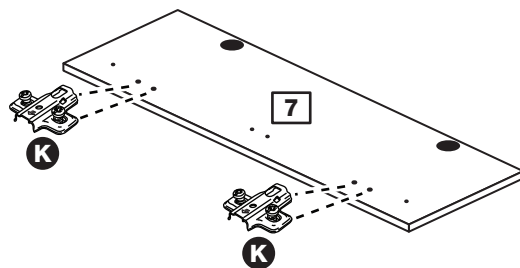
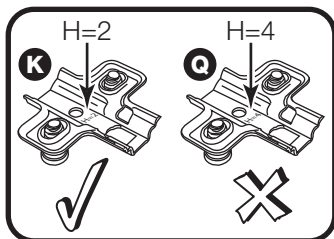
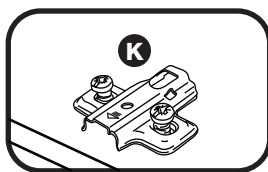
Assembly Instructions

Step 16

Prepare 1 of the doors to be the carcase door

a: Fit 2 hinge plates **N** onto a door **7**, making sure that they face the same way as the diagram.

a:

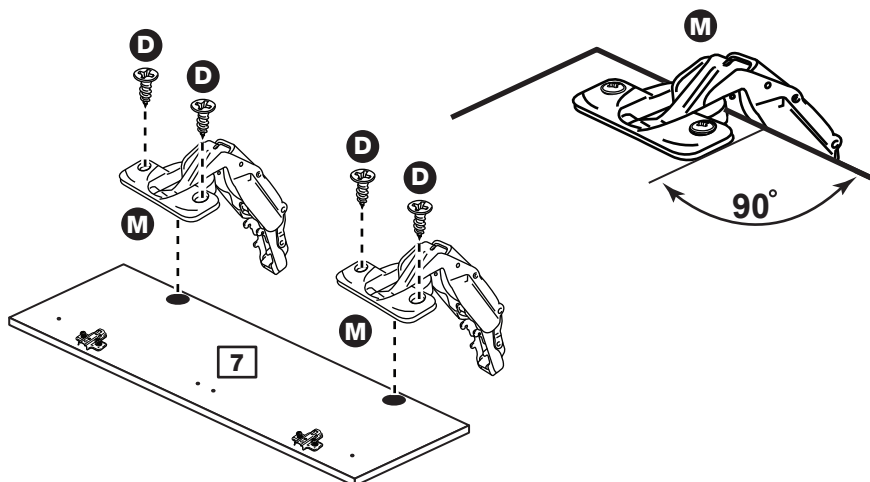


b: Push fit 2 cantilevered hinge arms **P** into the door **7**.

Secure each hinge arm with 2 screws **D**.

Note: Before securing with the screws, make sure that the hinges are positioned at 90 degrees with the front edge of the door.

b:



Assembly Instructions

Step 17

Fit the carcass door

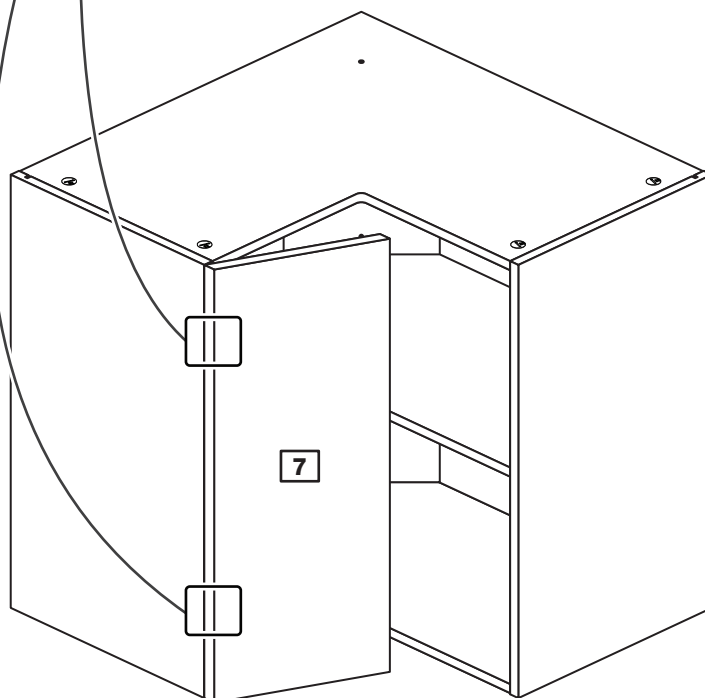
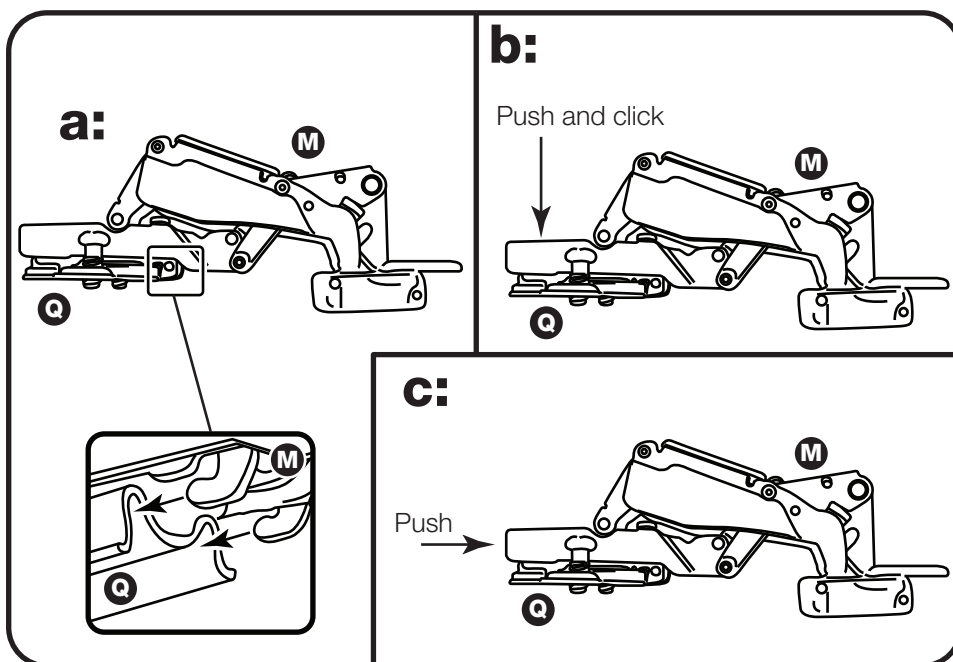
2 people are needed here

Note: The easiest way to attach the carcass door **7** is to fit the top hinge first, then align and fit the other hinge.

a: Push the hooks on the cantilevered hinge arm **M** underneath the front of the hinge plate **Q**.

b: Press the front of the hinge arm **M** against the hinge plate **Q** until it clicks into place.

c: If you need to separate the hinge arm **M** from the hinge plate, **Q** press the button at the end of the hinge arm and lift it off of the hinge plate.



This shows the carcass door being fitted to hinge plates on the left side. You may have fitted them to the right side.

Assembly Instructions

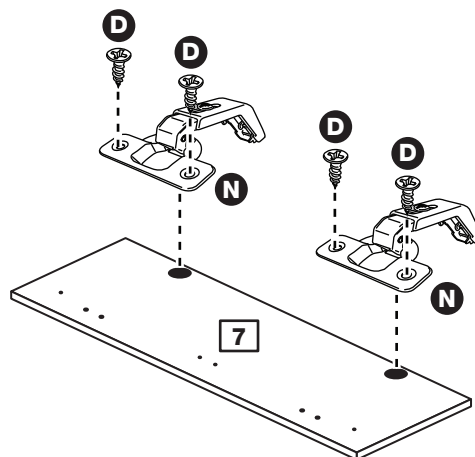
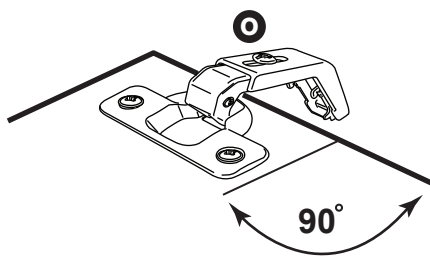
Step 18

Prepare the other door to be the hinged door

Push fit 2 bent hinge arms **N** into the other door **7**.

Secure each hinge arm with 2 screws **D**.

Note: Before securing with the screws, make sure that the hinges are positioned at 90 degrees with the front edge of the door.



Assembly Instructions

Step 19

Drill the handle holes in the hinged door

Important: Please follow these instructions carefully.

Lay the door **7** down onto a smooth surface.

Important: Carefully choose which holes you need to drill. This will depend on which side you fitted the hinge plates **K**.

Check that the holes and hinges are in the same place as the diagrams.

Note: We recommend the use of a small piece of waste wood, placed behind the hole while drilling, to reduce the possibility of any breakout.

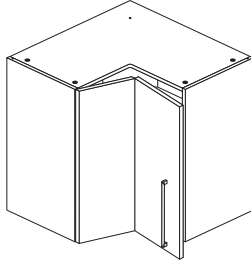
Using the pilot hole in the rear face of the door, **7** drill through the holes indicated opposite, using a 2.5mm diameter drill.

Turn the door **7** over and open out the 2.5mm holes that you have just drilled by drilling back through them with a 5mm drill.

Note: Drill bits are not provided.

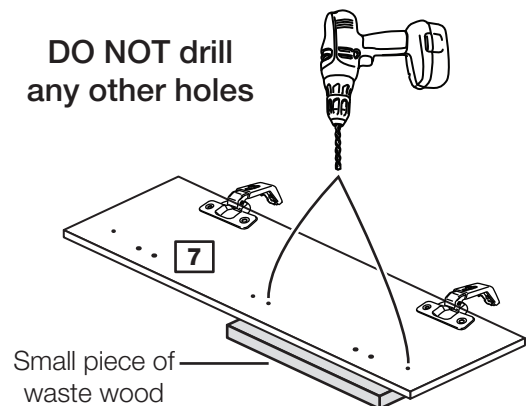
PLEASE FOLLOW THESE INSTRUCTIONS CAREFULLY TO CHOOSE WHICH 2 HOLES YOU WILL NEED TO DRILL

Drill these 2 holes if you have fitted the hinges to the left side.



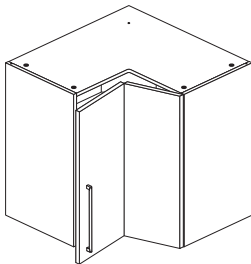
ONLY drill these 2 holes

DO NOT drill any other holes



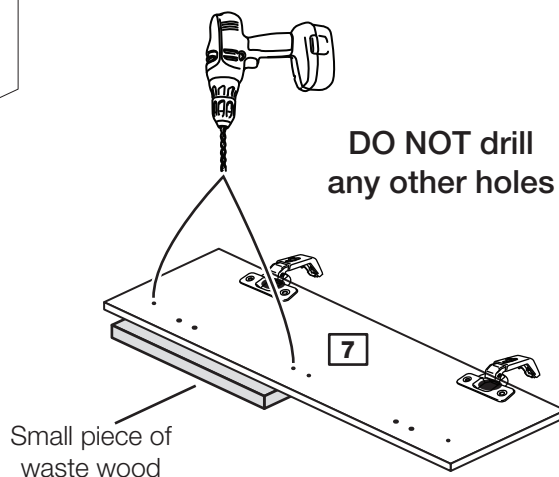
or

Drill these 2 holes if you have fitted the hinges to the right side.



ONLY drill these 2 holes

DO NOT drill any other holes



Assembly Instructions

Step 20

Fit the hinged door

2 people are needed here

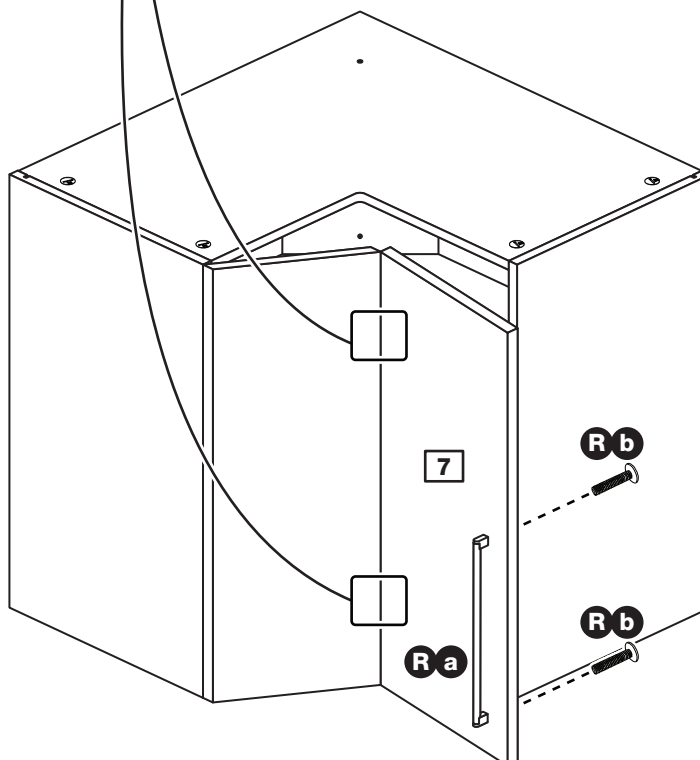
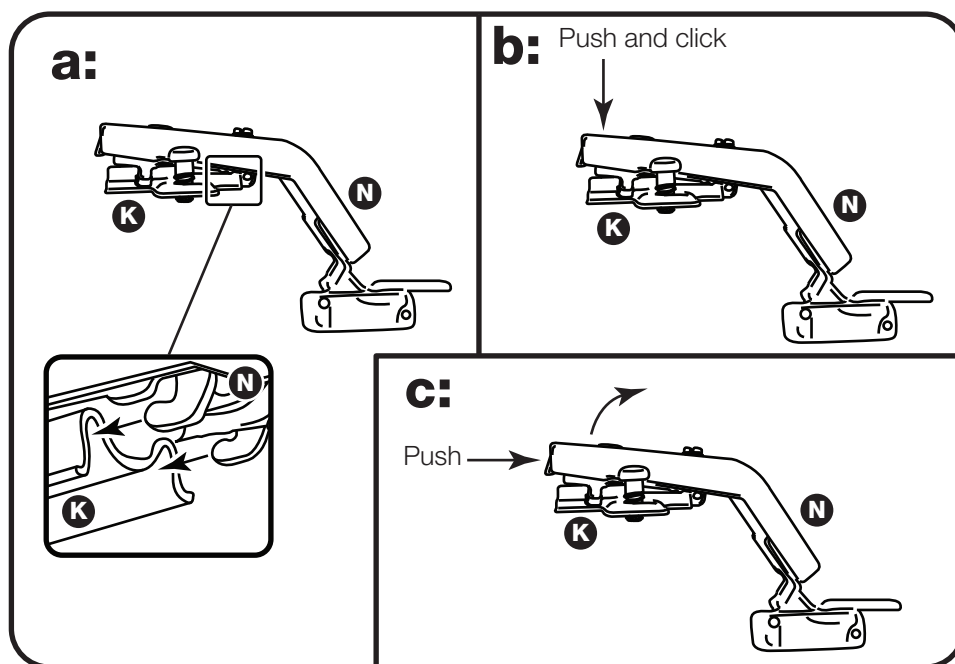
Note: The easiest way to attach the hinged door **7** is to fit the top hinge first, then align and fit the other hinge.

a: Push the hooks on the bent hinge arm **N** underneath the front of the hinge plate **K**.

b: Press the front of the hinge arm **N** against the hinge plate **K** until it clicks into place.

c: If you need to separate the hinge arm **N** from the hinge plate, **K** press the button at the end of the hinge arm and lift it off of the hinge plate.

d: Attach the handle **R a** supplied with the door **7** using the screw(s) **R b** packed with it.



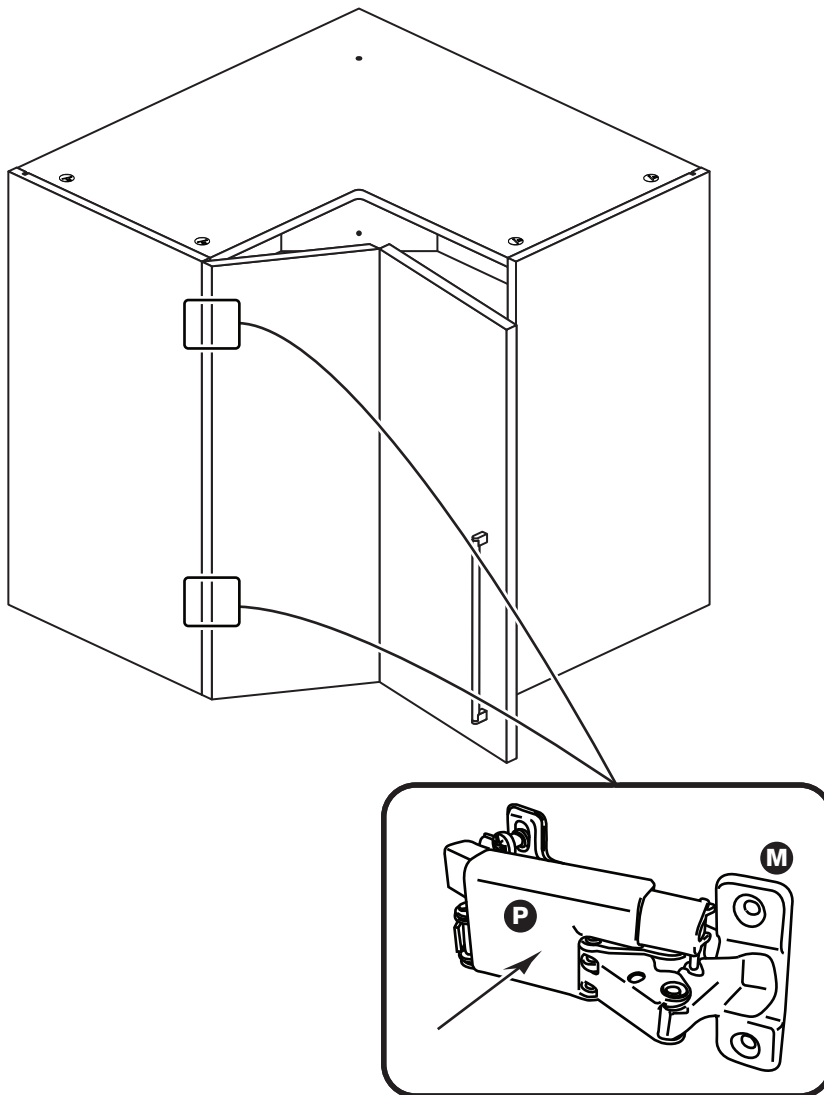
This shows the hinged door being fitted to carcass door on the left side.
You may have fitted it to the right side.

Assembly Instructions

Step 21

Fit the soft close unit

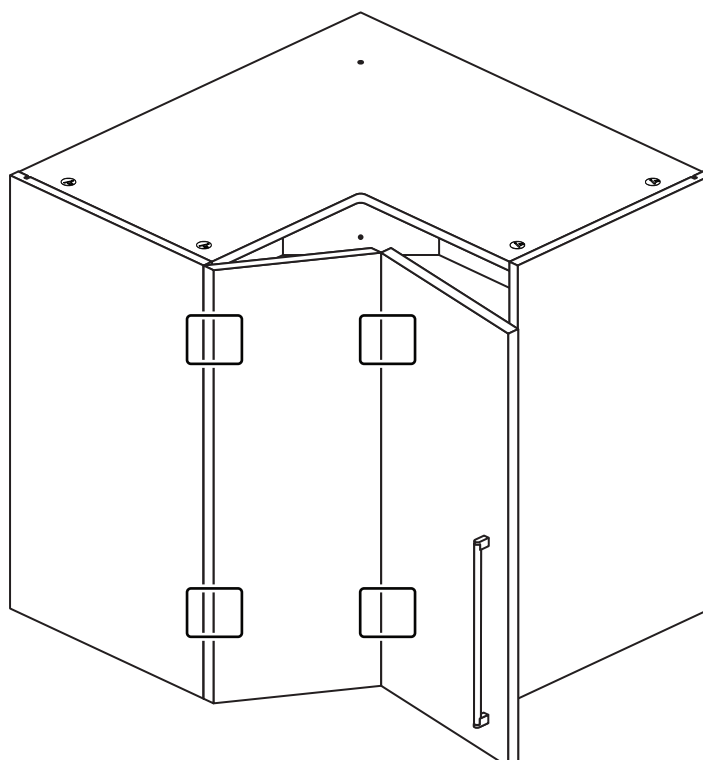
Push a soft close unit **P** onto each cantilevered hinge arm **M** until it clicks into place.



Step 22

Adjust the doors if needed

Adjust the hinge plates and arms by turning the screws on them clockwise or anti-clockwise.



Assembly Instructions

Step 23

Fit other products to the unit

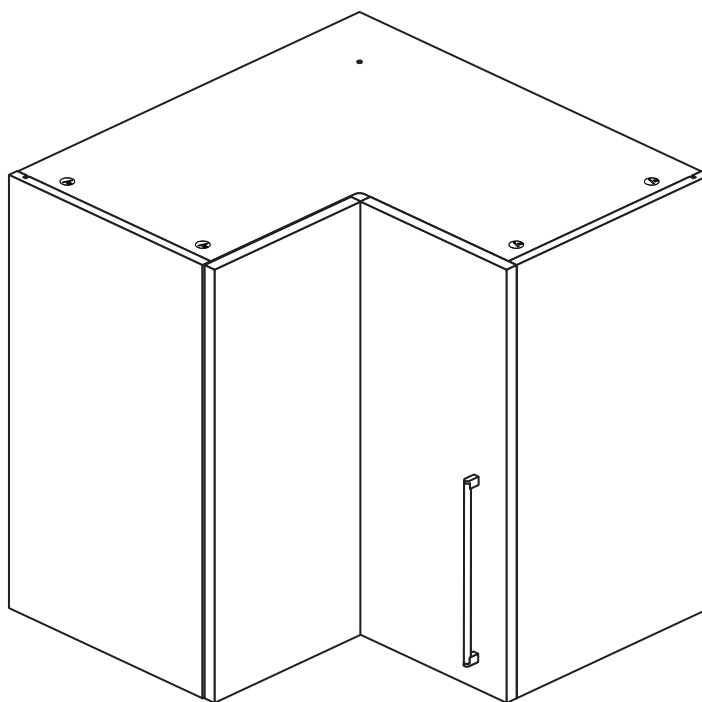
To fit other products to this unit, please follow the instructions packed with them.

We recommend that you consult a qualified joiner or kitchen fitter.

Assembly is complete



Warning: The unit is heavy. Lift with care.



If you need help or have damaged or missing parts, call the Customer Helpline: 08456 400800 and quote the reference numbers on the component pages.

Argos Ltd, 489-499 Avebury Boulevard, Central Milton Keynes, MK9 2NW