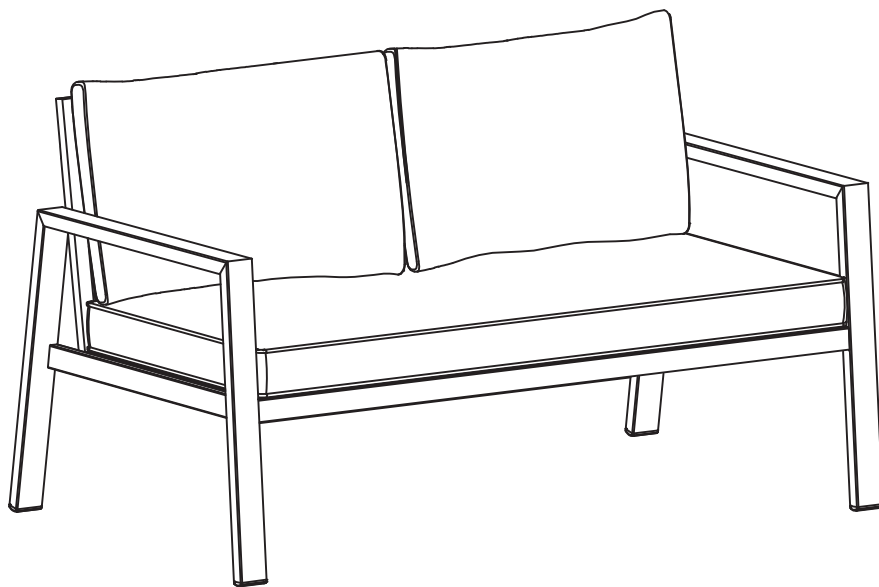



Sitges Aluminium 4 Seater Set - Sofa



Spare Parts

 www.argos-support.co.uk

 Help@ClickSpares.co.uk

 0370 112 1928

Customer Support

 0345 640 2020



Safety and Care Advice

Product Details

Grey 1957293

IMPORTANT, RETAIN FOR FUTURE REFERENCE: READ CAREFULLY.

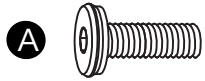
- Keep children and animals away from the work area, small parts could choke if swallowed.
 - Make sure you have enough space to layout the parts before starting.
 - This product has been constructed to be used in the domestic environment only and not for commercial purposes.
 - Make sure you have enough space to layout the parts before starting.
 - Assemble the item as close to its final position (in the same room) as possible.
 - Assemble on a soft level surface to avoid damaging the unit or your floor.
 - Remove all fittings from the plastic bags and separate them into their groups.
 - Do not stand or put weight on the product during assembly, this could cause damage.
-
- We do not recommend the use of power drill/drivers for inserting screws as this could damage the unit. Only use hand screwdrivers.
 - Parts of the assembly will be easier with 2 people.
 - Dispose of all packaging carefully and responsibly.

Additional Guidance

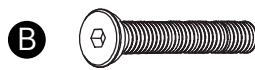
- Assemble all parts and bolts loosely during assembly, only once the product is complete should you fully tighten the bolts.
- Regularly check and ensure that all bolts and fittings are tightened properly.
- Age recommendation for upper bunk 6+
- Do not fully tighten all screws until assembly is completed.
- Maximum safe seated weight: 220kgs.
- Only clean using a damp cloth and mild detergent, do not use bleach or abrasive cleaners.
- Make sure each screw matches the corresponding figure to ensure correct assembly.
- From time to time check that there are no loose screws on this chair.
- This product should not be discarded with household waste. Take to your local authority waste disposal centre.
- This product is compliant BS EN581-1; BS EN581-2.

Fittings (Shown to scale)

Bag 1



25mm Screw x 6



35mm Screw x 4



Washer x 10

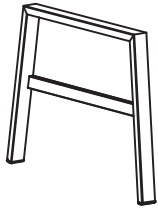


Screw caps x 10

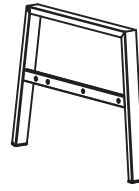


Allen key x 1

Components



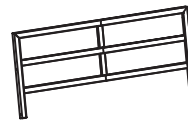
1 Right Armrest
(745 x 535mm)



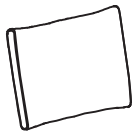
2 Left Armrest
(745 x 535mm)



3 Seat
(1140 x 600mm)



4 Backrest
(1140 x 400mm)

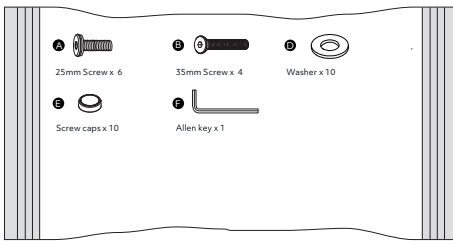


8 Back Cushion (x2)
(430 x 570 x 200mm)



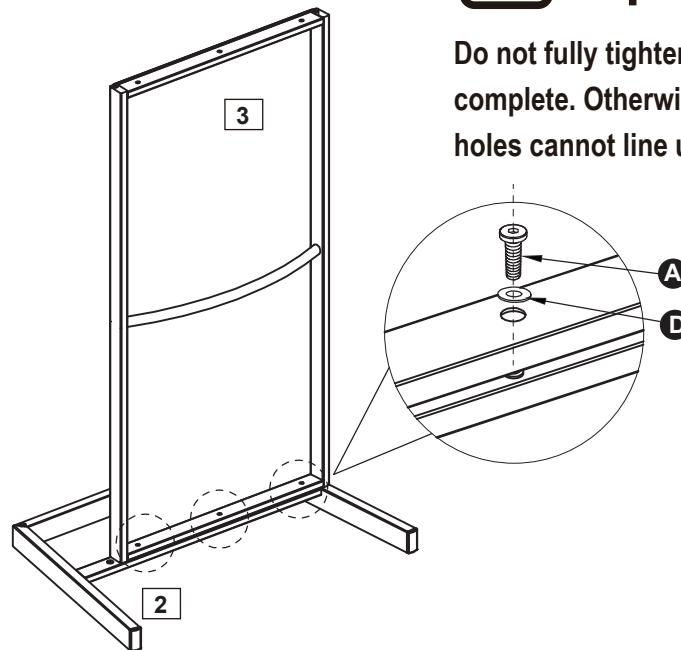
9 Seat Cushion
(1100 x 570 x 60mm)

1



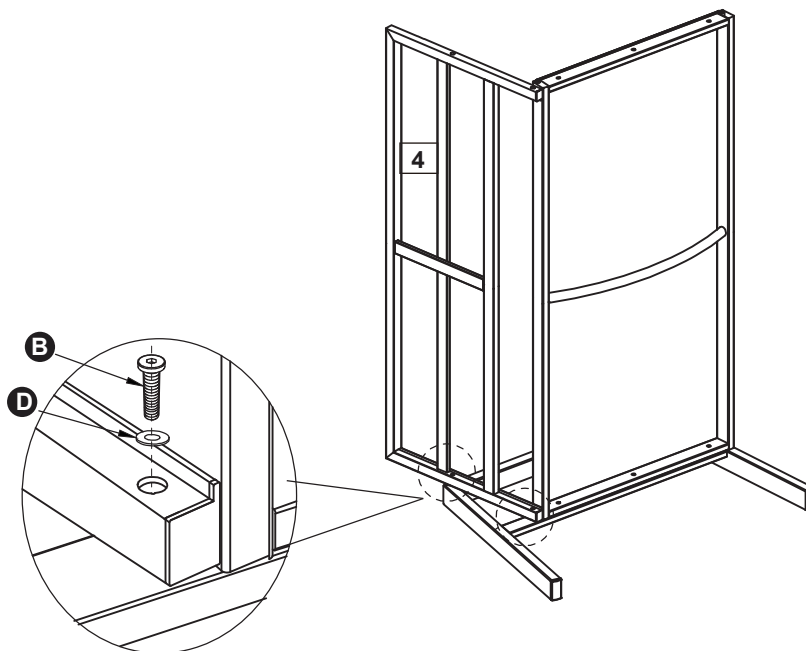
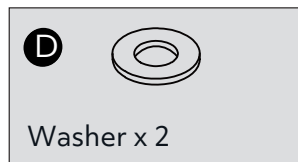
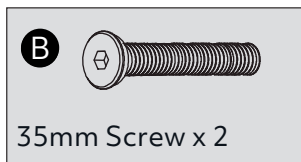
Important:

Do not fully tighten all screws until assembly is complete. Otherwise, it may occur some screw holes cannot line up, difficult to assemble.



Repeat
x3

2



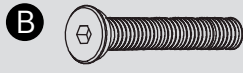
Repeat
x2

Turn
Product

3



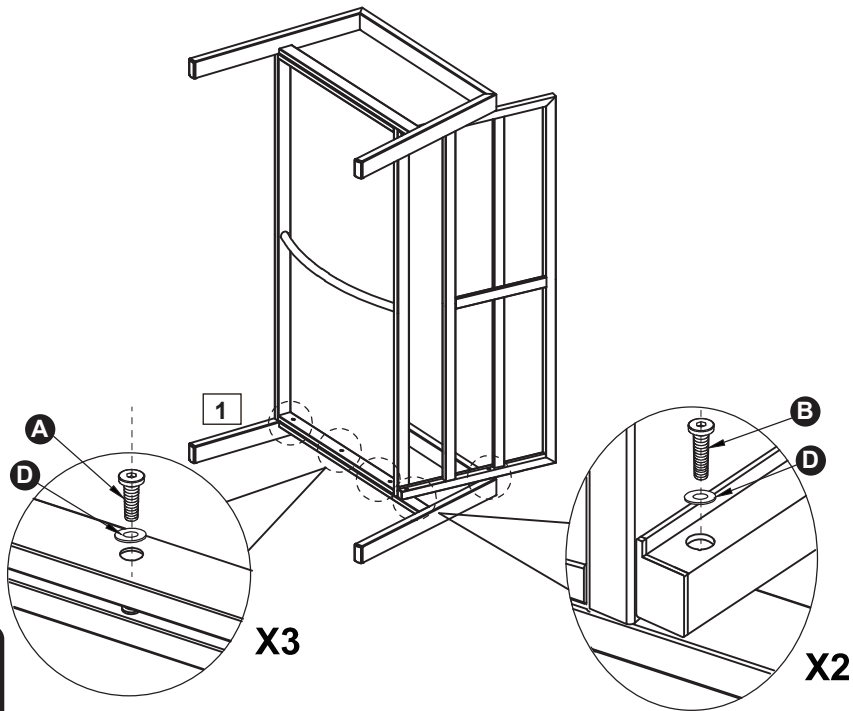
25mm Screw x 3



35mm Screw x 2



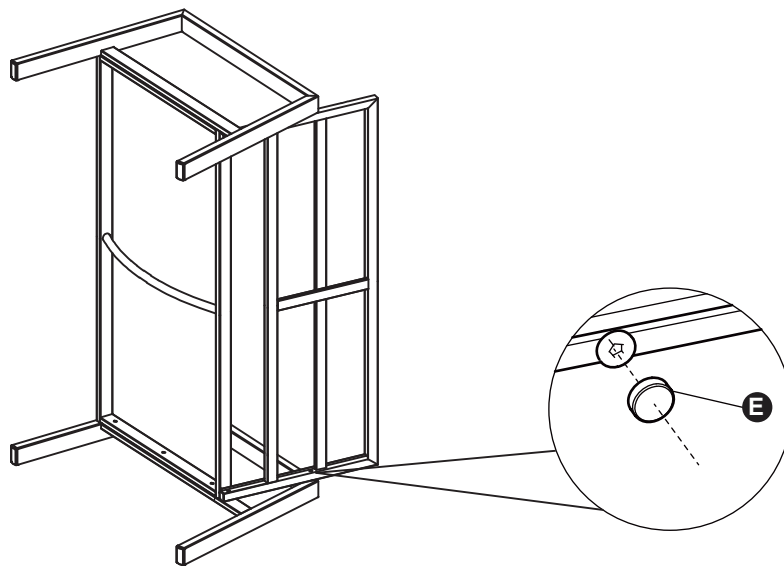
Washer x 5



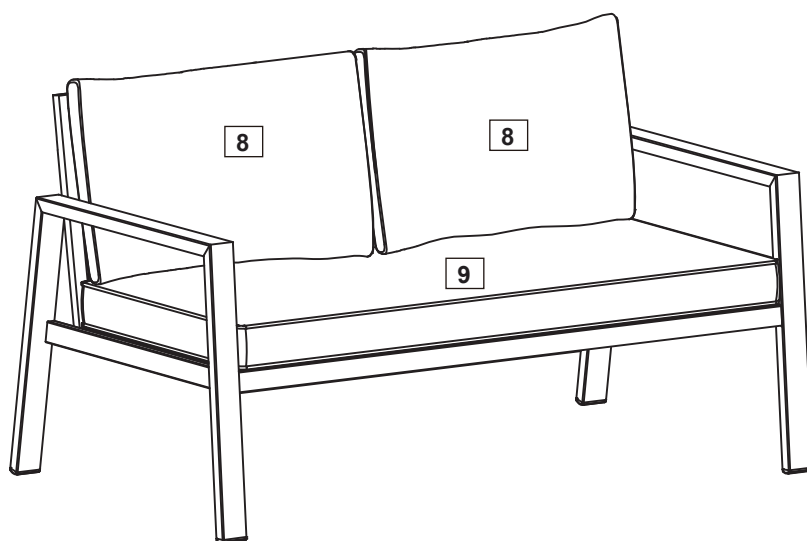
4



Screw caps x 10



5



Assembly is completed.