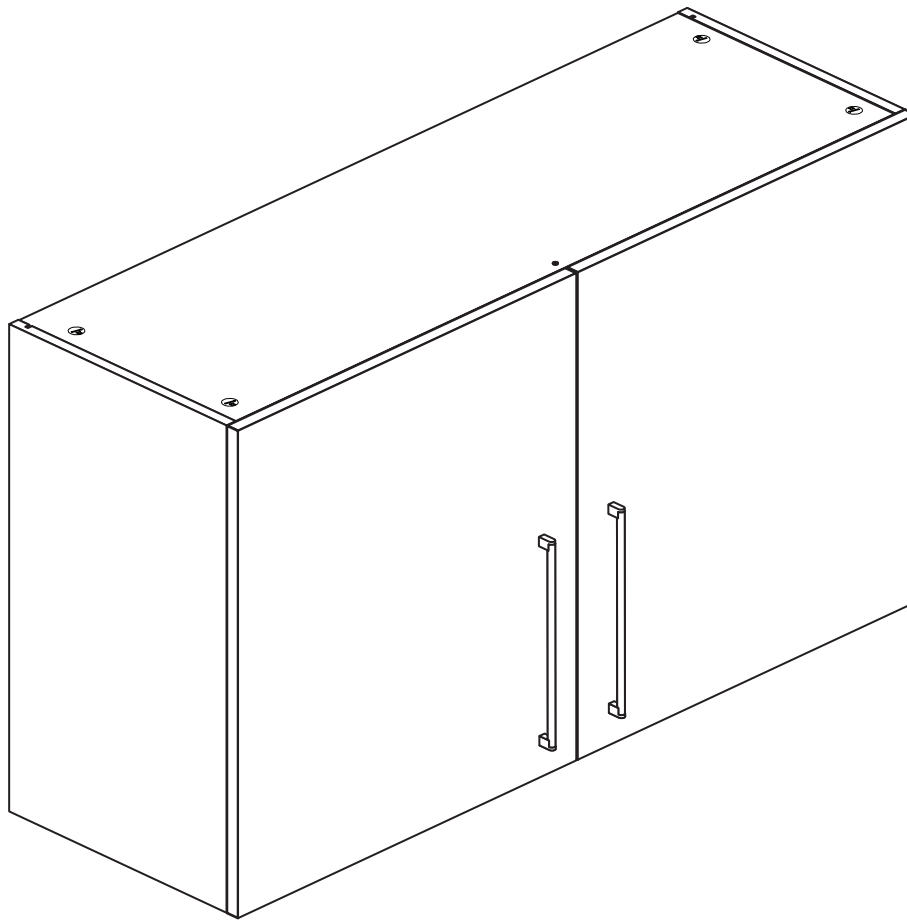


Valencia - 1000mm Wall Cabinet

Assembly Instructions - Please keep for future reference

hygena

Cabinet	656/5745
Black Door Pack	633/2882
Cream Door Pack	633/2710
Oak Door Pack	205/4009
White Gloss Door Pack	633/2806
White HN Door Pack	192/3722



Dimensions

Width - 100cm

Depth - 34cm

Height - 72cm



**MADE IN
BRITAIN**

Important - Please read these instructions fully before starting assembly

If you need help or have damaged or missing parts, call the **Customer Helpline: 03456 400800**



Safety and Care Advice

Important - Please read these instructions fully before starting assembly

- **Warning:** This unit weighs approximately 16.5kgs. Please lift with care.
- Check you have all the components and tools listed on pages 1, 2 and 3.
- Remove all fittings from the plastic bags and separate them into their groups.
- Keep children and animals away from the work area, small parts could choke if swallowed.
- Parts of the assembly will be easier with 2 people.

- Make sure you have enough space to layout the parts before starting.
- Do not stand or put weight on the product, this could cause damage.
- Assemble the item as close to its final position (in the same room) as possible.
- Assemble on a soft level surface to avoid damaging the unit or your floor (use opened out unit carton).



• We do not recommend the use of power drill/drivers **for inserting screws**, as this could damage the unit. Only use hand screwdrivers.

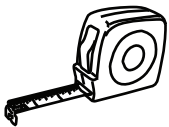
• **Safety note:** It is recommended that this unit is secured to a wall using the brackets supplied.

• Dispose of all packaging carefully and responsibly.

Care and maintenance

- Only clean using a damp cloth and mild detergent, do not use bleach or abrasive cleaners.
- From time to time check that there are no loose screws on this unit.
- This product should not be discarded with household waste. Take to your local authority waste disposal centre.

Tools required



Rule



Cross-head screwdriver



Scissors



Hammer



Eye protection (when using a hammer or drill)



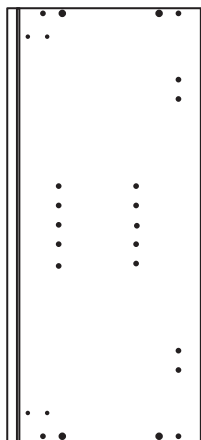
Electric drill

Note: If required the next page can be cut out and used as reference throughout the assembly. Keep this page with these instructions for future reference.

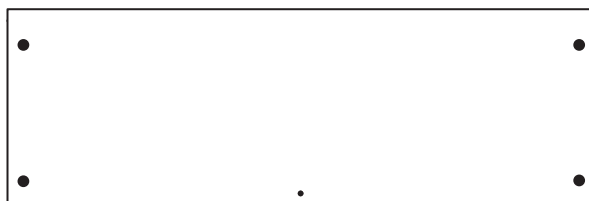
Components - Panels

If you have damaged or missing components, call the **Customer Helpline: 03456 400800** quoting the reference numbers below

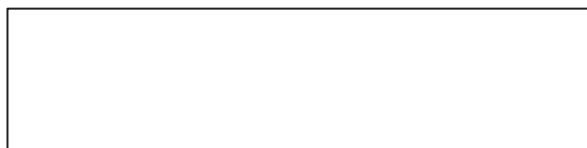
Please check you have all the panels listed below



1 End Panel (DPF141B)
(320 x 716 mm) x 2



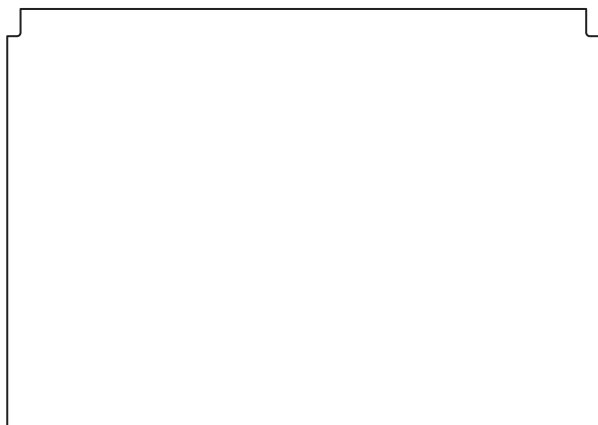
2 Top/Base Panel (DPF097A)
(969 x 319mm) x 2



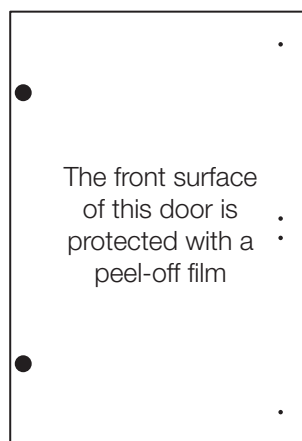
3 Loose Shelf (DPF098A)
(968 x 236mm)



4 Muntin Rail (DPF100A)
(36 x 688mm)



5 Back Panel (DPF099A)
(979 x 694mm)



6 Valencia Door (DPF147A)
(497 x 716mm) x 2

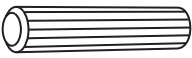
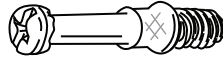


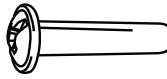


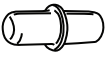

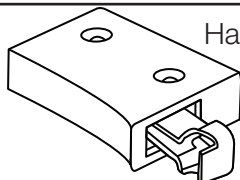
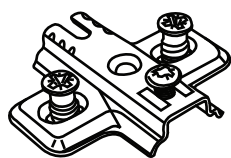
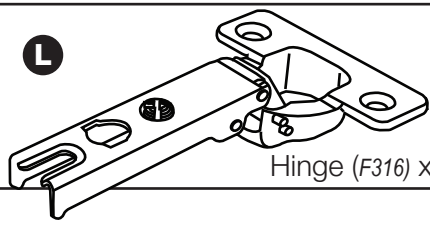
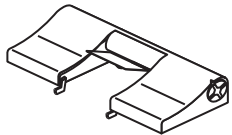

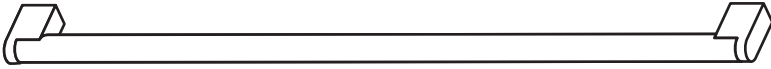



Components - Fittings

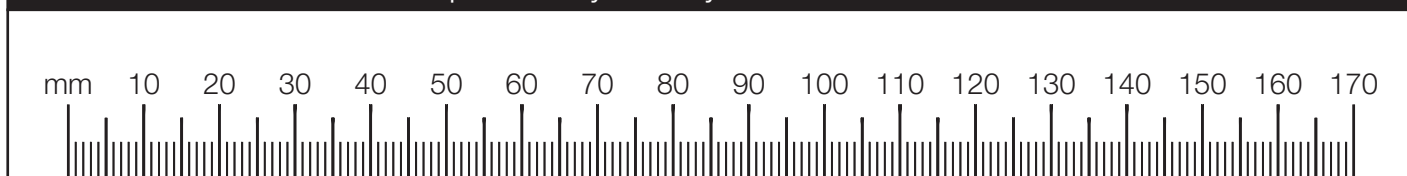
If you have damaged or missing components, call the **Customer Helpline: 03456 400800** quoting the reference numbers below

Please check you have all the fittings listed below

Note: The quantities below are the correct amount to complete the assembly. In some cases more fittings may be supplied than are required.

<p>A </p> <p>Wooden dowel (F22) x 10</p>	<p>B </p> <p>Metal dowel (F901) x 8</p>	<p>C </p> <p>Large locking nut (F900) x 8</p>	
<p>D </p> <p>13mm Screw (F63) x 8</p>	<p>E </p> <p>Connecting Sleeve (F432) x 2</p>	<p>F </p> <p>19mm Connecting bolt (F461) x 2</p>	
<p>G </p> <p>25mm Screw (F50) x 4</p>	<p>H </p> <p>Shelf support (F110) x 5</p>	<p>I </p> <p>Wall bracket (F198) x 2</p>	
<p>J </p> <p>Hanging bracket (F181) x 2</p>	<p>K </p> <p>Hinge Plate (F574) x 4</p>	<p>L </p> <p>Hinge (F316) x 4</p>	
<p>M </p> <p>Soft Close (F320) x 2</p>	<p>N </p> <p>40mm Screw (F910) x 2</p>		
<p>Oa </p> <p>Handle (F214) x 2</p> <p>O b </p> <p>25mm Screw (F132) x 4</p>			

Ruler - Use this ruler to help correctly identify the screws



Assembly Instructions

If you have damaged or missing components, call the
Customer Helpline: 03456 400800 quoting the reference
numbers below

Step 1

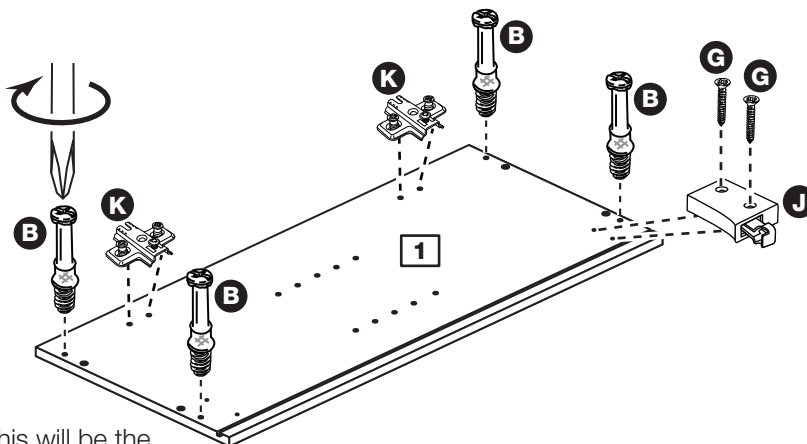
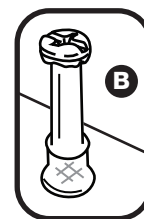
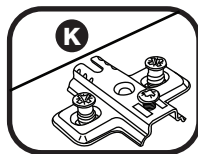
Prepare the left end panel

Fit 2 hinge plates **K** onto the left end panel **1**, orientated as shown.

Screw 4 metal dowels **B** into the holes shown on the left end panel **1**.

Note: Tighten metal dowels up fully against the panels.

Fit a hanging bracket **J** to the left side **1** using 2 screws **G**, making sure that the hook is towards the back edge.



This will be the left end panel

Step 2

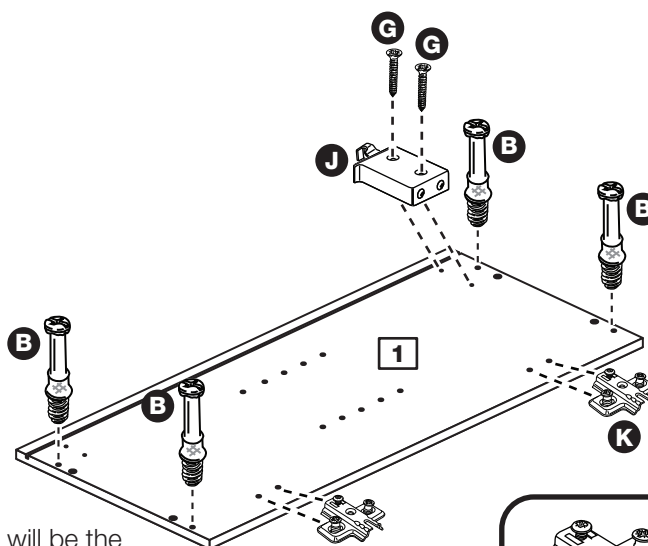
Prepare the right end panel

Fit 2 hinge plates **K** onto the right end panel **1**, orientated as shown.

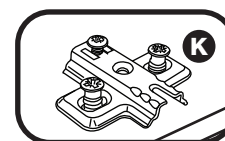
Screw 4 metal dowels **B** into the holes shown on the right end panel **1**.

Note: Tighten metal dowels up fully against the panels.

Fit a hanging bracket **J** to the right side **1** using 2 screws **G**, making sure that the hook is towards the back edge.



This will be the right end panel



Assembly Instructions

Step 3

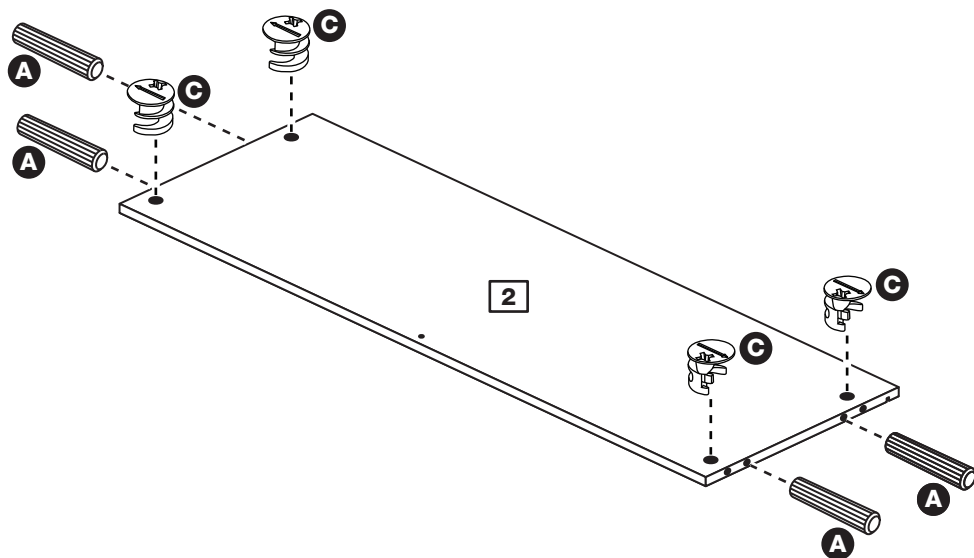
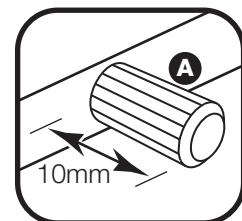
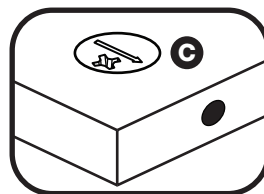
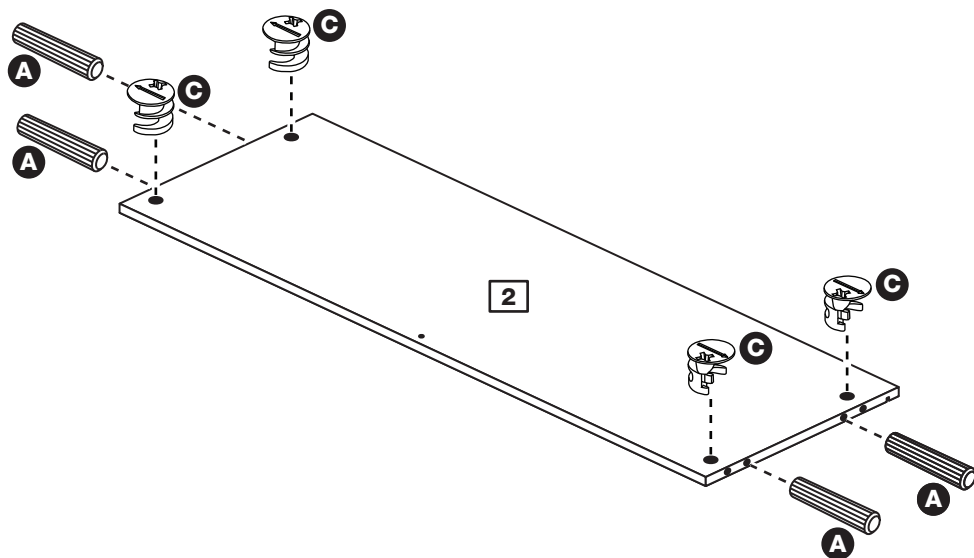
Prepare the base and top

Insert 4 large locking nuts **C** into the base and top **2** as shown.

Note: Arrow on locking nut **must** point towards hole in edge of panel.

Tap 4 wooden dowels **A** into the base and top **2** as shown.

Note: Wooden dowels **must not** stick out from the edge by more than 10mm or they may damage other panels.



Assembly Instructions

Step 4

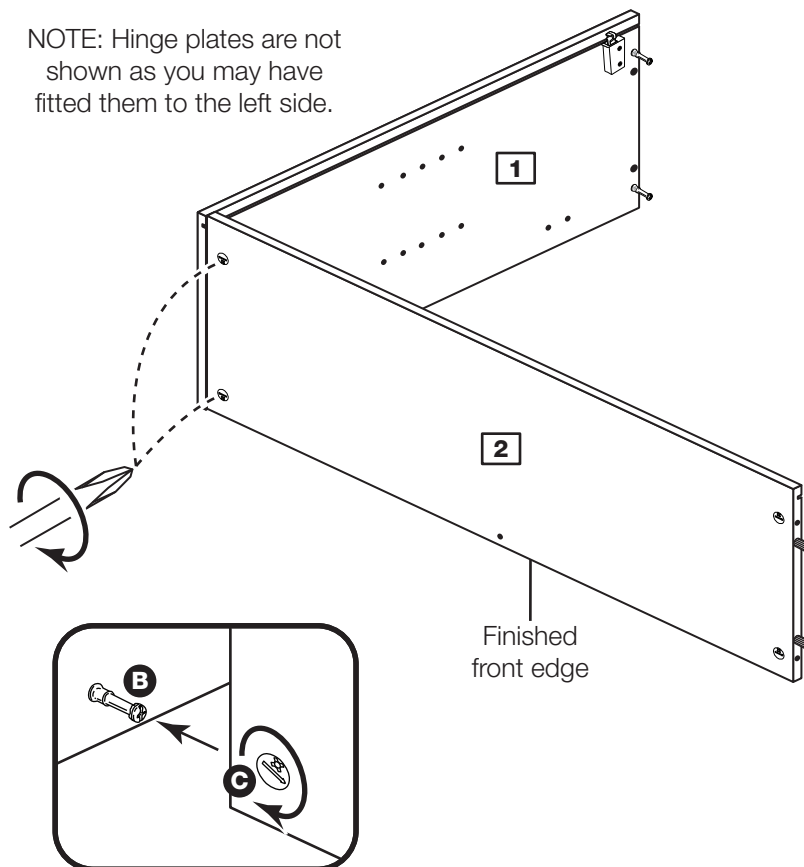
Join the right side and base

Push the base **2** onto the right end panel **1**.

Use a screwdriver to tighten the 2 large locking nuts **C** fitted to the base **2**.

Note: Turn the large locking nuts **C** as far as they will go - more than 1/2 a turn.

NOTE: Hinge plates are not shown as you may have fitted them to the left side.



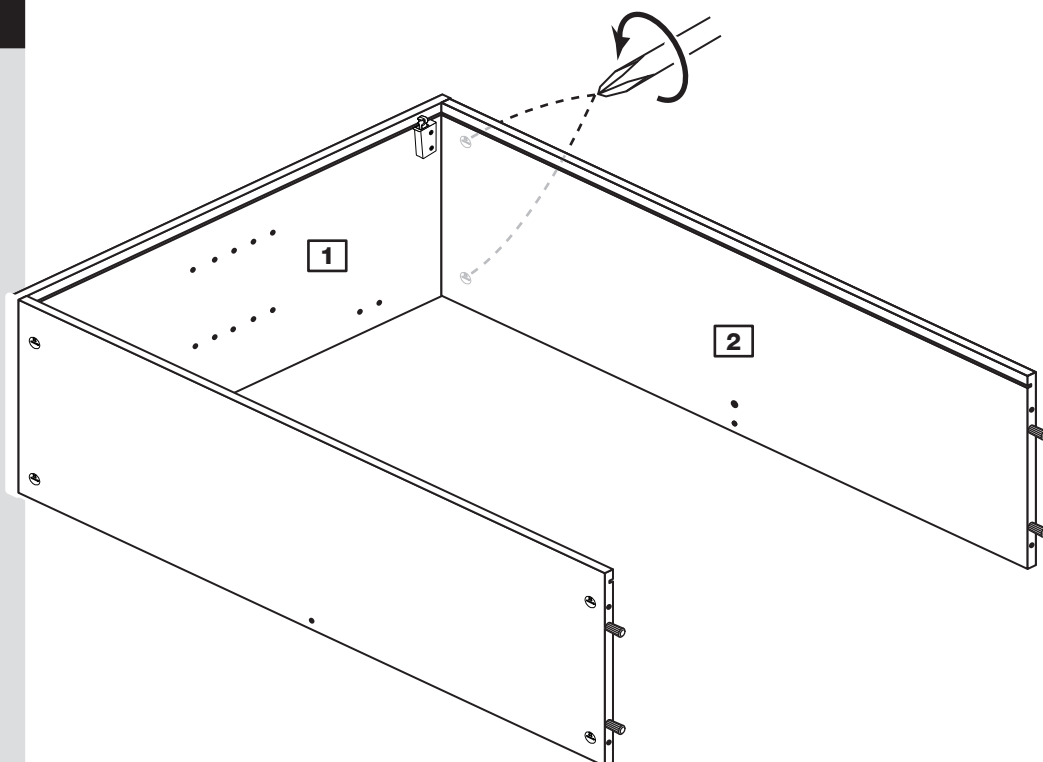
Step 5

Fit the top

Push the top **2** onto the right end panel **1**.

Use a screwdriver to tighten the 2 large locking nuts **C** fitted to the top **2**.

Note: Turn the large locking nuts **C** as far as they will go - more than 1/2 a turn.

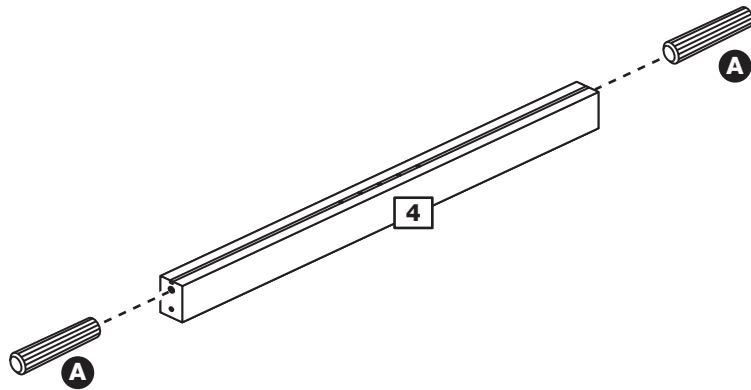


Assembly Instructions

Step 6

Prepare the muntin rail

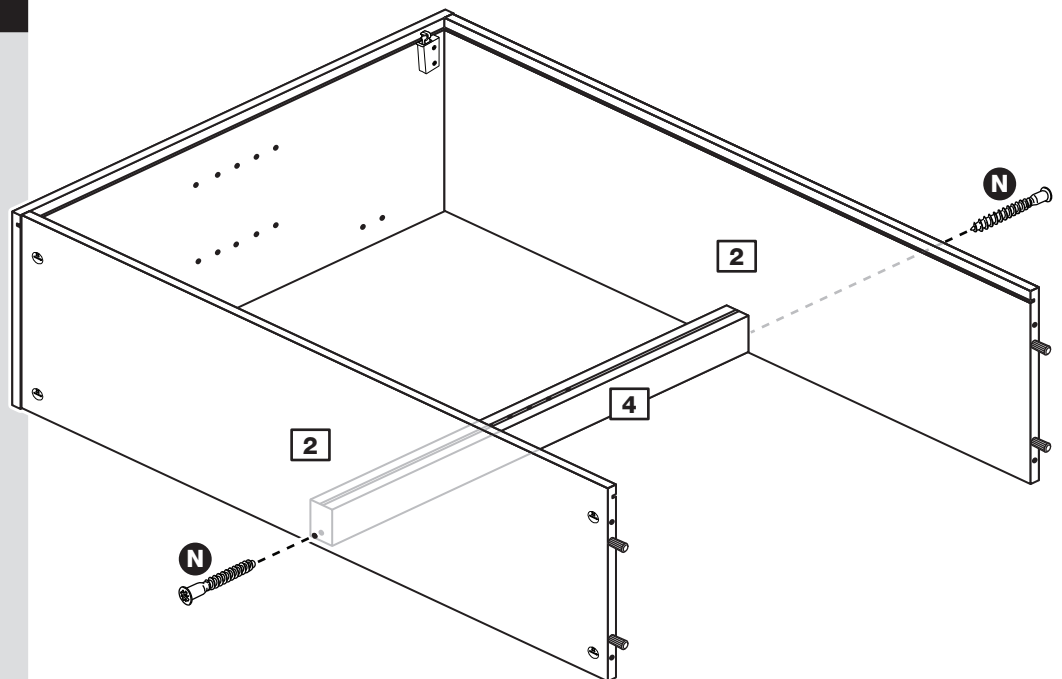
Tap 2 wooden dowels **A** into the muntin rail **4** as shown.



Step 7

Fit the muntin rail

Attach the muntin rail **4** to the top **2** and base **2** and secure with 2 screws **N**.



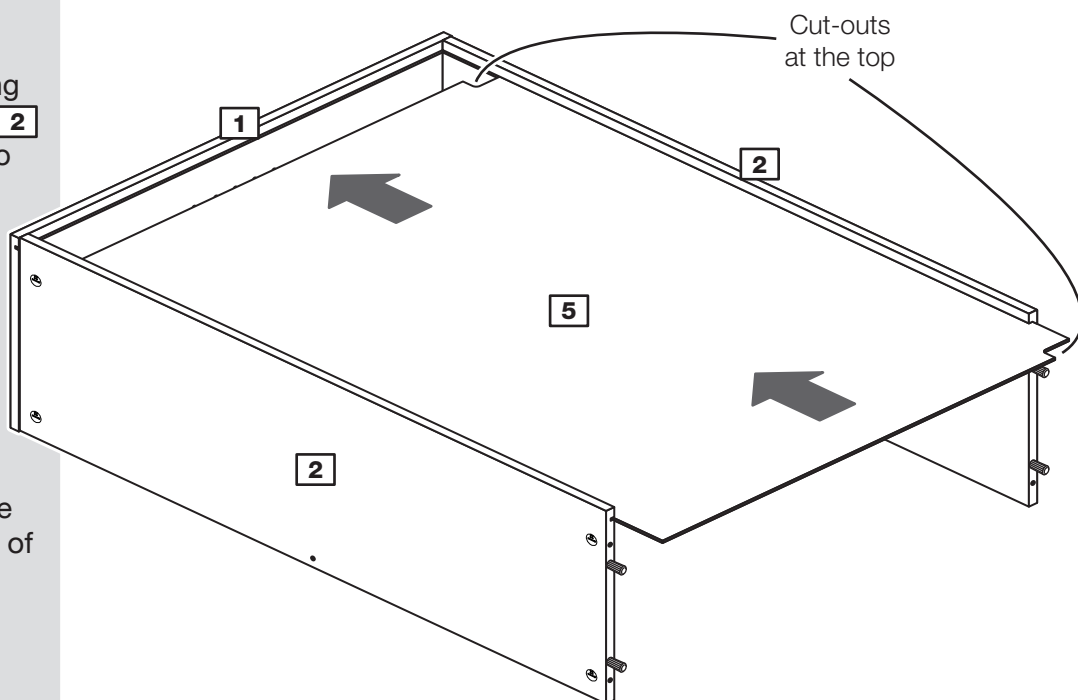
Assembly Instructions

Step 8

Fit the back

Slide the back **5** along the grooves in the top **2** and bottom **2** and into the groove of the right end panel **1**.

Important: Make sure that the cut-outs on the back **5** are at the top of the assembly.



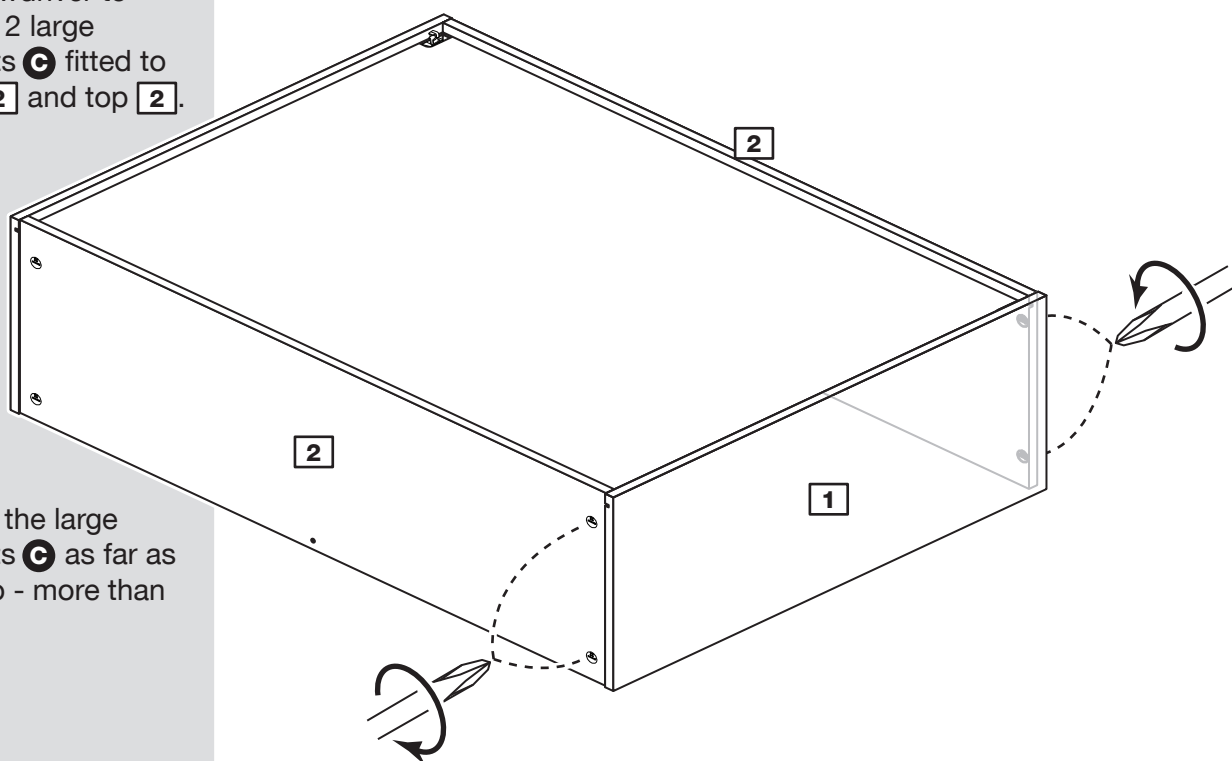
Step 9

Fit the left end panel

Push left end panel **1** onto the assembly.

Use a screwdriver to tighten the 2 large locking nuts **C** fitted to the base **2** and top **2**.

Note: Turn the large locking nuts **C** as far as they will go - more than 1/2 a turn.



Assembly Instructions

Step 10

Fit the unit to the wall

If you are joining this unit to another one, also refer to step 11.

To fix the unit to the wall, place the unit in the required position and lightly mark the outline of the top corners of the unit with a pencil.

Fit the 2 wall brackets **I** to the dimensions shown in the top diagram. The screws and plugs are not supplied as they need to be the correct type to suit your wall.

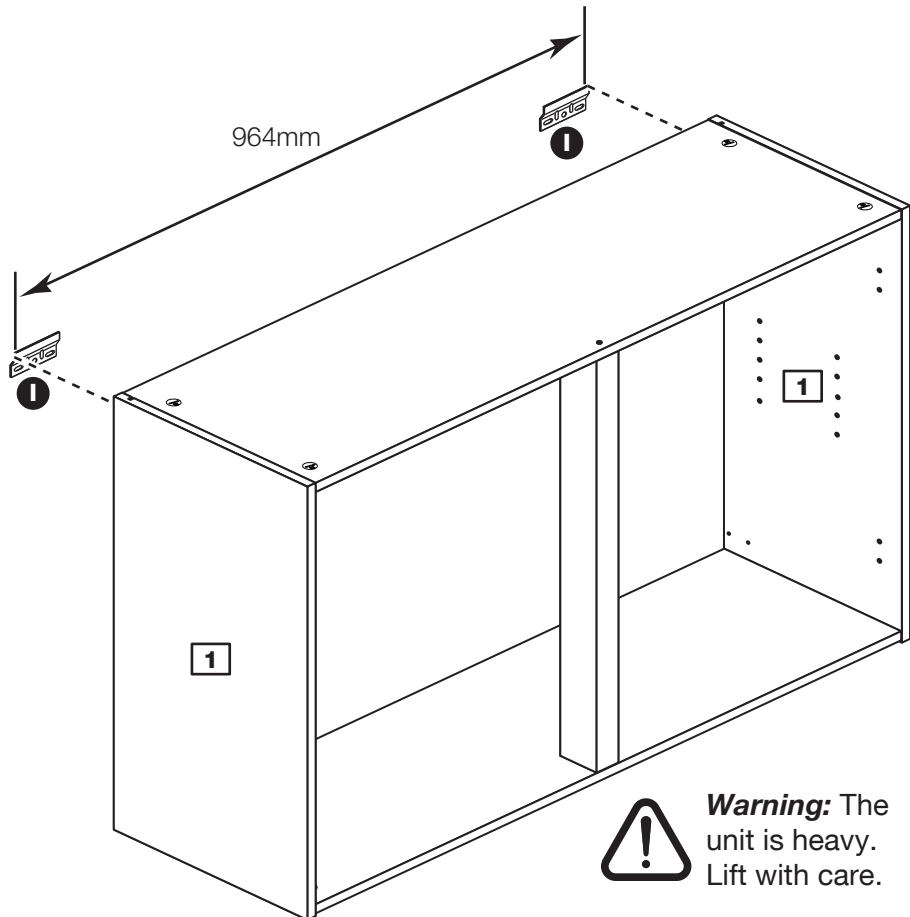
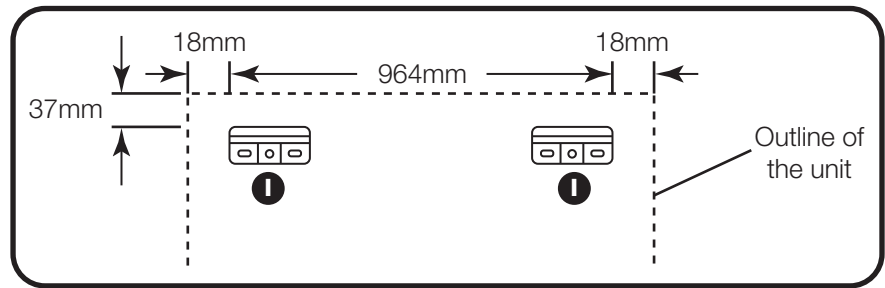


Warning: Take care when drilling the wall that you do not drill into any pipes, wires etc. If in doubt, consult an expert.

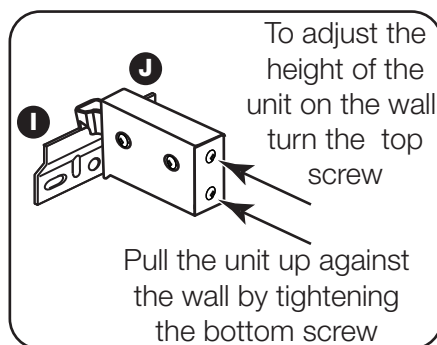
Place your unit onto the wall brackets **I**, via the hanging brackets **J** which you have fitted to the sides **1** of the unit.

Use the screw at the top of the wall brackets **J** to adjust the height of the unit.

Finally, pull the unit up against the wall by tightening up the bottom screw in the hanging brackets **J**.



Warning: The unit is heavy. Lift with care.



Assembly Instructions

Step 11

Joining units together

Fittings have been supplied so you are able to join units together.

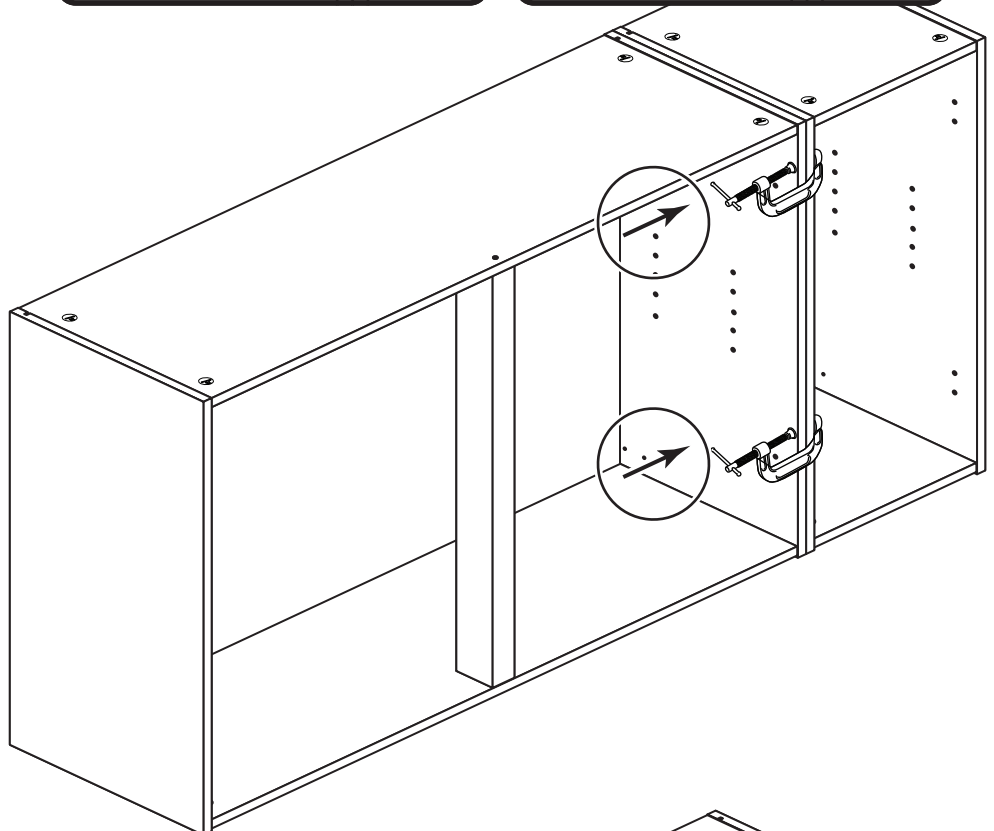
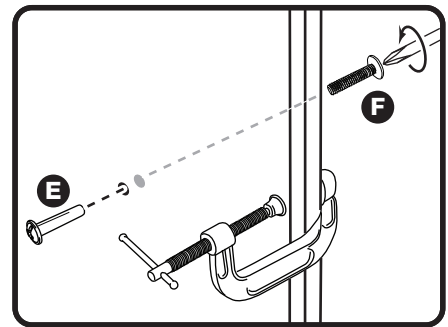
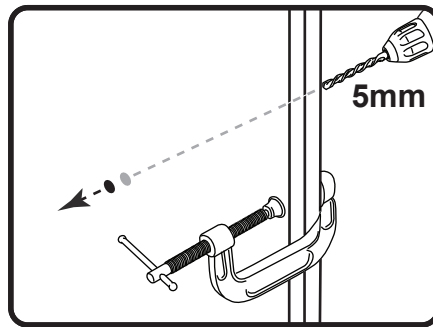
Make sure that your first unit is level.

Push the other unit up against first unit and ensure both units are level.

Check that the ends are flush and in line, then clamp them together.

Using a 5mm drill bit, drill 2 holes (approximate positions shown circled) in the side panel into the adjoining side panel of the other unit.

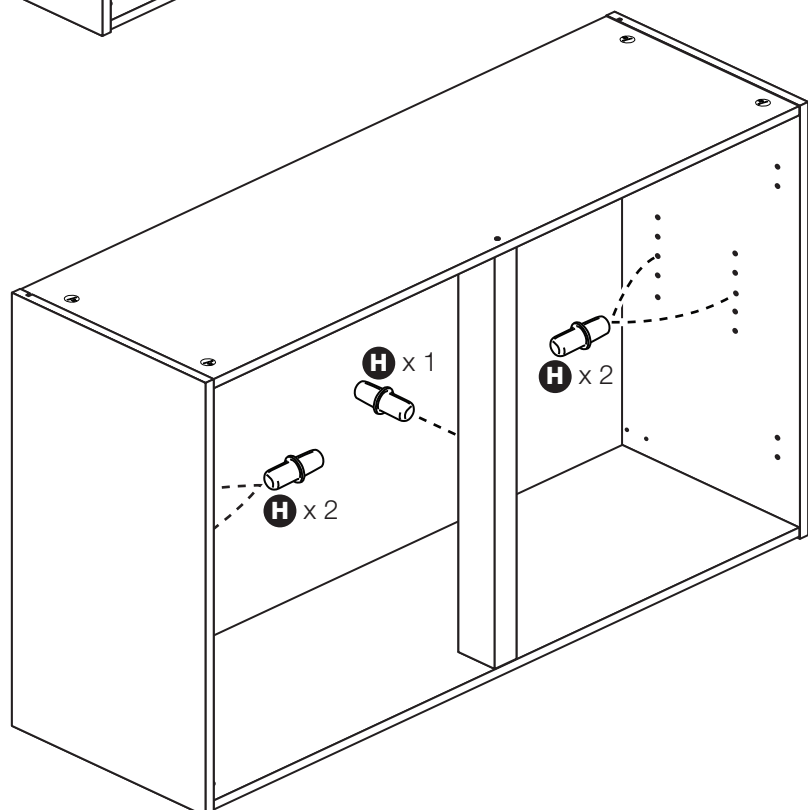
Push the connecting sleeves **E** into the holes and then screw the connecting bolts **F** in from the other side.



Step 12

Fit the shelf studs

Insert 5 shelf studs **H** at the required height.

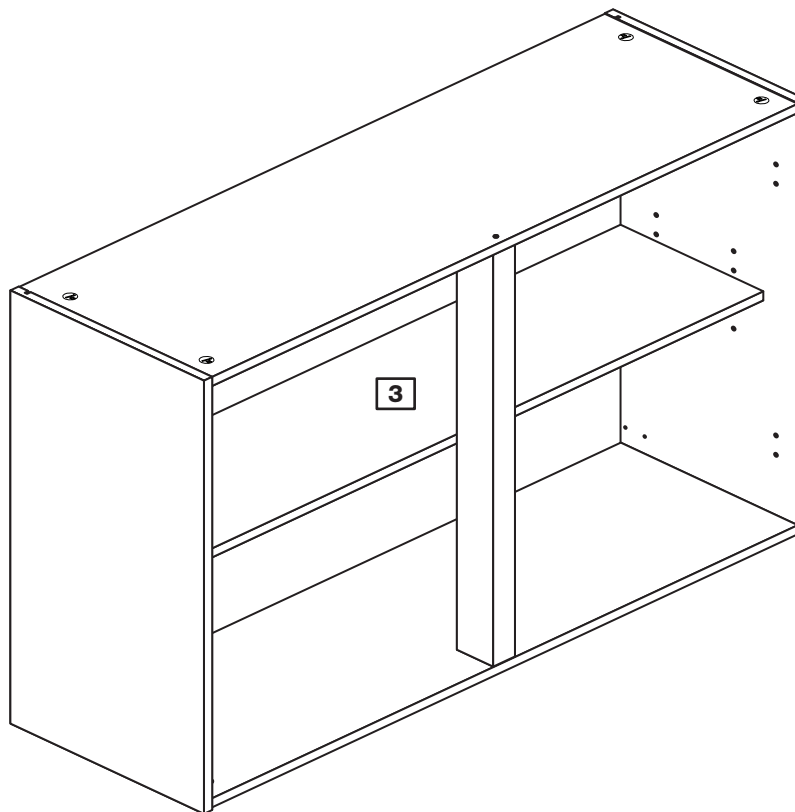


Assembly Instructions

Step 13

Fit the loose shelf

Insert the loose shelf **3** at an angle then lower it down onto the shelf studs **H**.



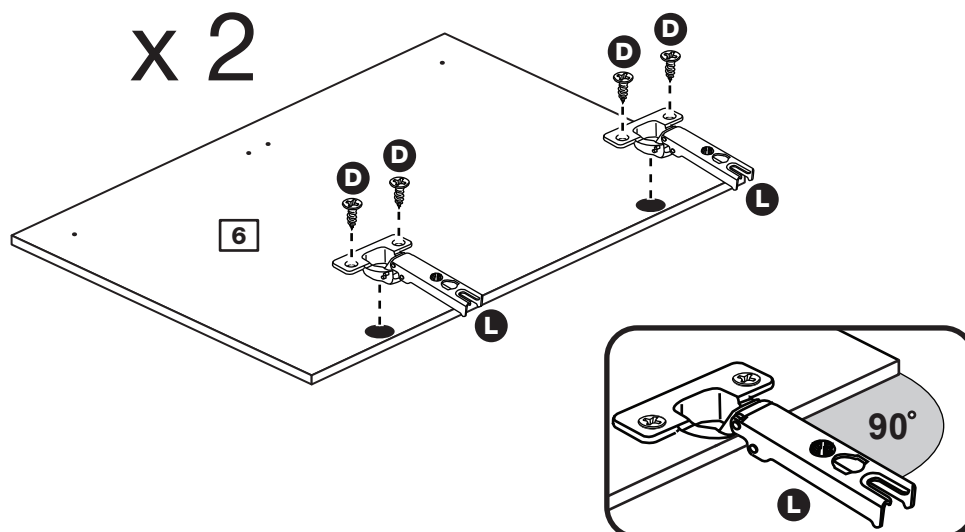
Step 14

Prepare the 2 doors

Push fit 2 hinges **L** into each door **6**.

Secure each hinge with 2 screws **D**.

Note: Before securing with the screws, make sure that the hinges are positioned at 90 degrees with the front edge of the door.



Assembly Instructions

Step 15

Drill the handle holes in the doors

Important: Please follow these instructions carefully.

Lay the doors **6** down onto a smooth surface.

Important: Carefully choose which holes you need to drill.

Check that the holes and hinges are in the same place as the diagrams.

Note: We recommend the use of a small piece of waste wood, placed behind the hole while drilling, to reduce the possibility of any breakout.

Using the pilot hole in the rear face of the door, **6** drill through the holes indicated opposite, using a 2.5mm diameter drill.

Turn the door **6** over and open out the 2.5mm holes that you have just drilled by drilling back through them with a 5mm drill.

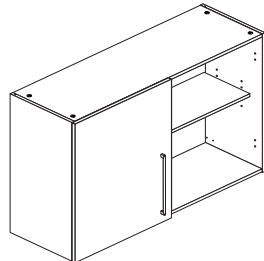
Note: Drill bits are not provided.

Fit a soft close fitting **M** onto the bottom hinge on each of the 2 doors, as shown.

Push the hooks on the soft-close fitting into the holes on the hinge and then press down to click into place.

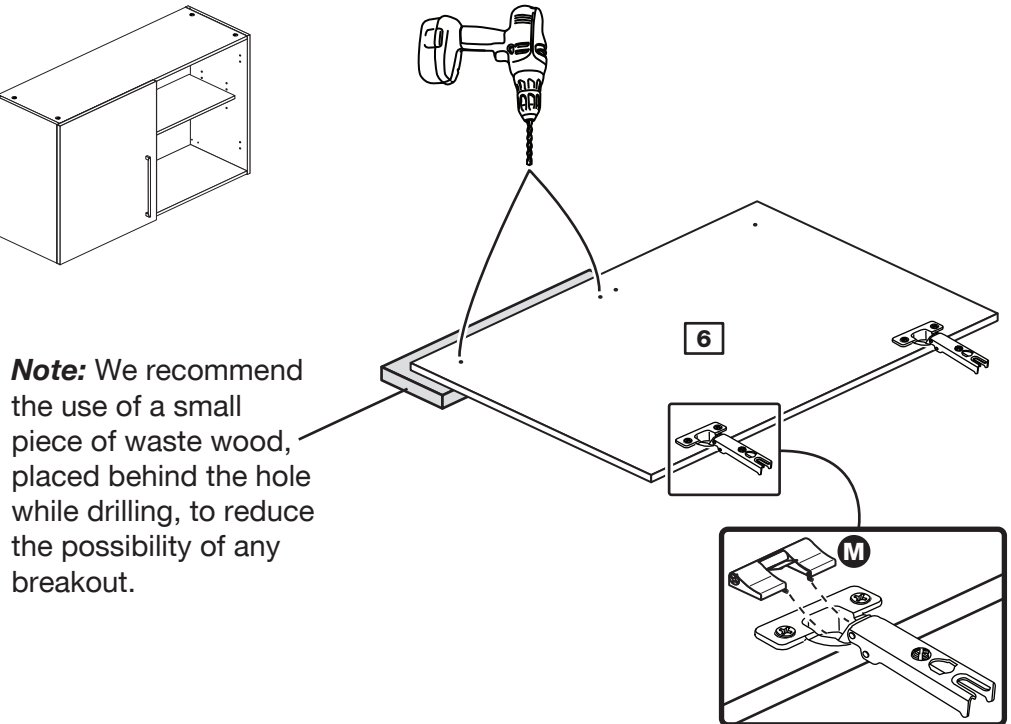
PLEASE FOLLOW THESE INSTRUCTIONS CAREFULLY TO CHOOSE WHICH 2 HOLES YOU WILL NEED TO DRILL

This will be the left door



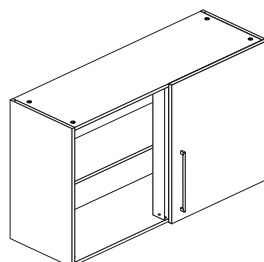
ONLY drill these 2 holes

DO NOT drill any other holes



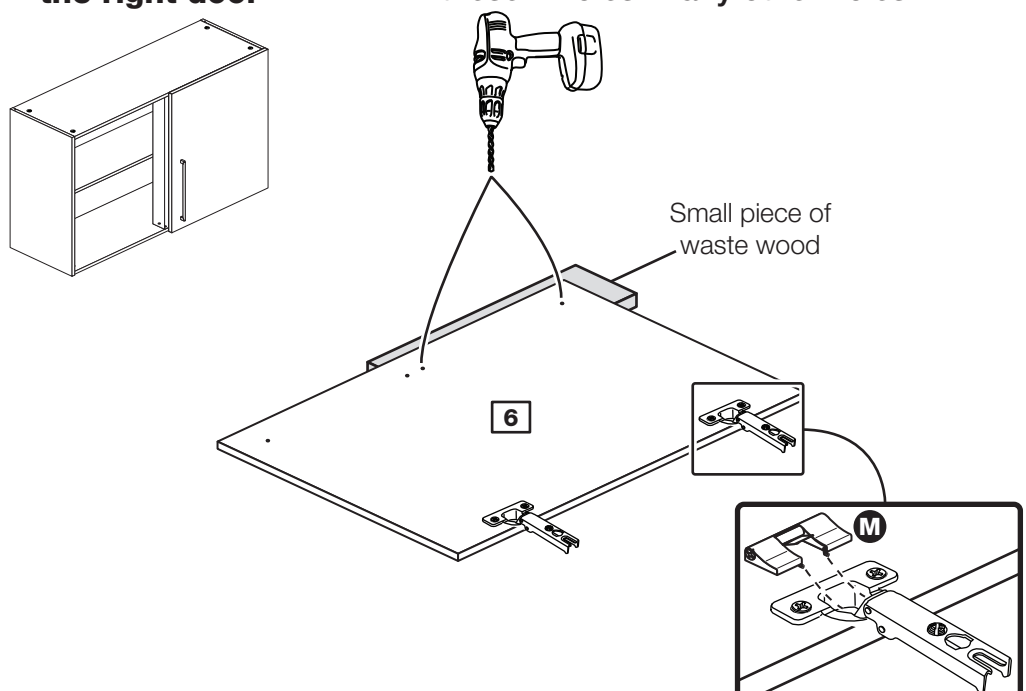
Note: We recommend the use of a small piece of waste wood, placed behind the hole while drilling, to reduce the possibility of any breakout.

This will be the right door



ONLY drill these 2 holes

DO NOT drill any other holes



Small piece of waste wood

Assembly Instructions

Step 16

Fit doors and handles

Note: The easiest way to attach a door **6** is to fit the top hinge first, then align and fit the other hinge.

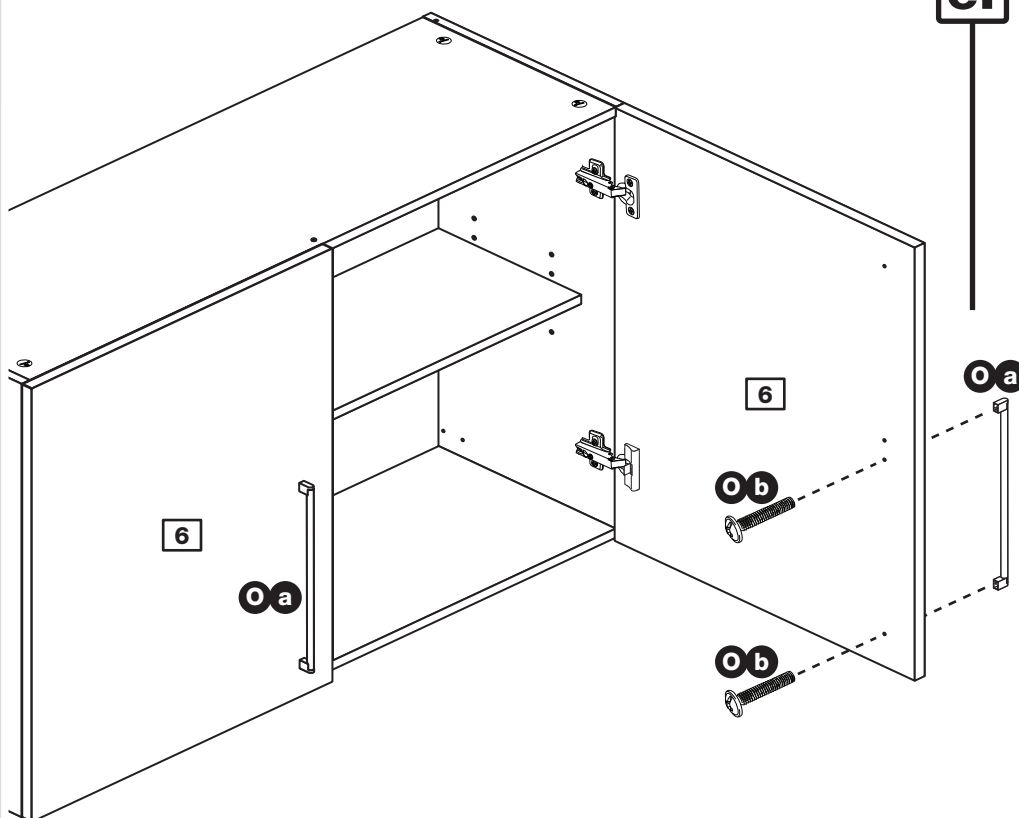
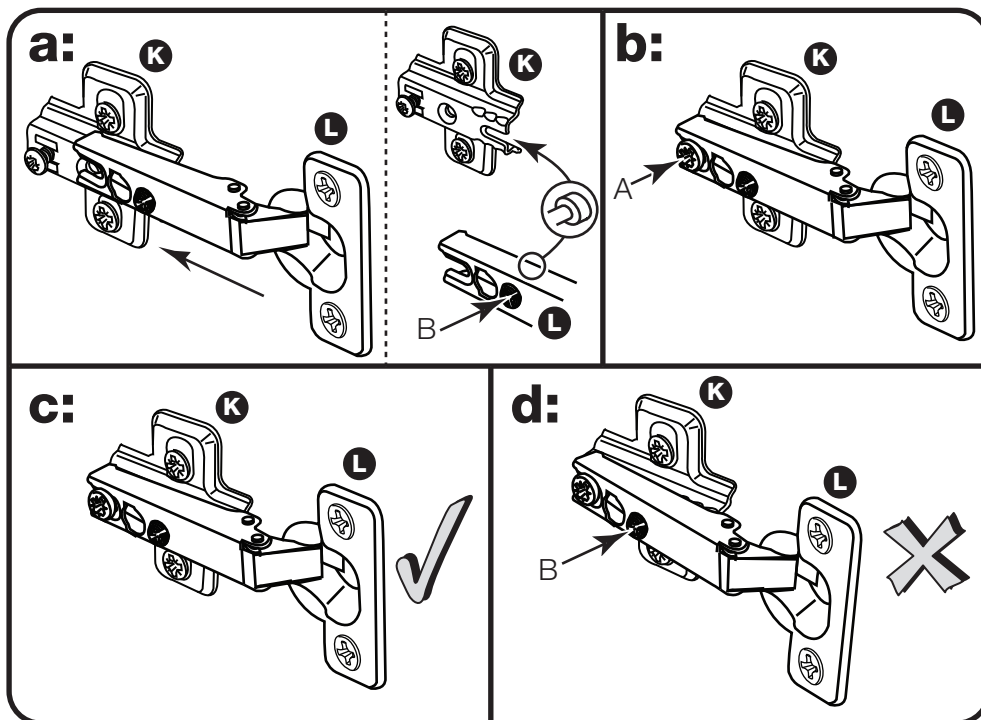
a: Push the hinge **L** onto the front part of the hinge plate **K**. The recess at the bottom of screw B goes into the slot in the hinge plate.

b: Keep the hinge **L** FLAT against the hinge plate **K** as you slide it across as far as it will go. Tighten screw A.

c: The hinge **L** must be flat against the hinge plate **K** prior to any adjustment.

d: The hinge **L** must NOT be AT AN ANGLE to the hinge plate **K** when assembled. This would indicate that the recess at the bottom of screw B had not located in the slot in the hinge plate and the hinge would not be secure. Remove the hinge from the hinge plate and then re-assemble being careful to follow instructions a-c.

e: Attach a handle **Oa** to each door **6** using screws **Ob**.



Assembly Instructions

Step 17

Adjust the doors if needed

a: Before adjusting the doors, use a spirit level to check the base (or top) of the unit is level, front-to-back and side-to-side in the 3 positions shown. Use suitable packing pieces (not supplied) to make the unit level BEFORE making any adjustment to the hinges, as shown.

b: Height adjustment.

Loosen screws A on hinge plates and move door up or down as required. Retighten screw A.

c: Forward and Back adjustment.

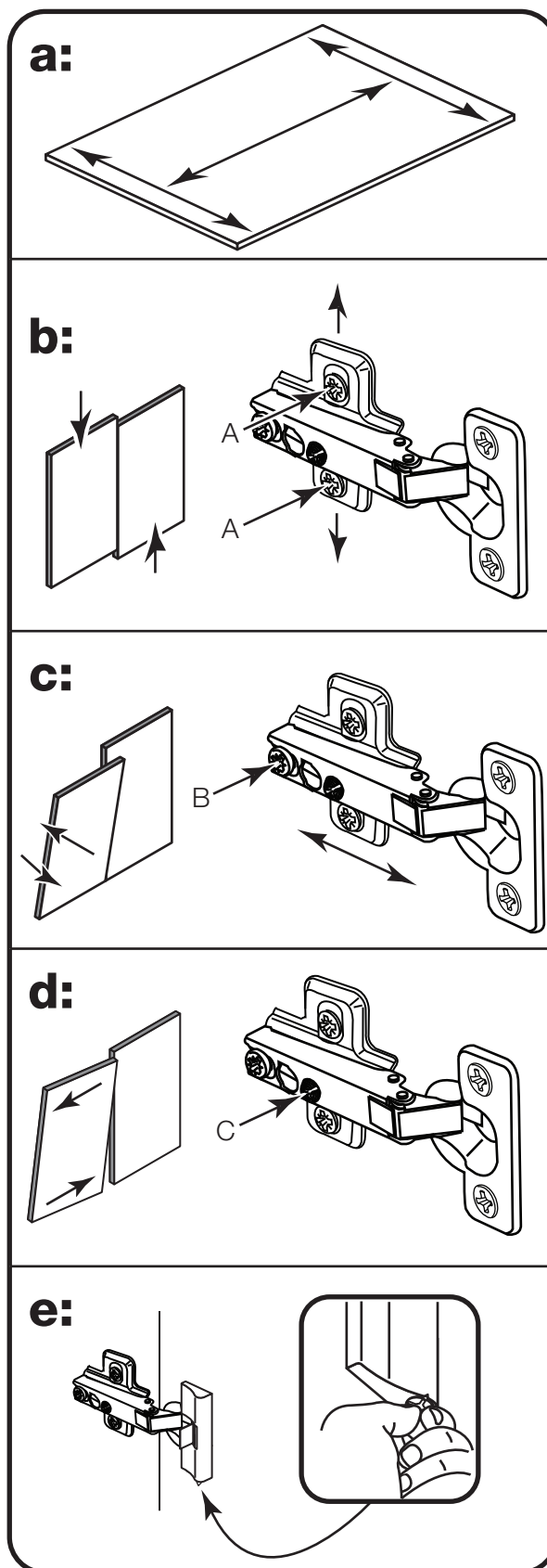
Loosen screw B on hinge plate and move door in or out as required. Retighten screw B.

d: Sideways adjustment.

To move door 'out' loosen screw C. To move door 'in' tighten screw C.

e: Soft close adjustment.

To adjust the damping force on the soft-close fittings, turn towards the '+' to increase and towards the '-' to decrease.



Assembly Instructions

Step 18

Fit other products to the unit

To fit other products to this unit, please follow the instructions packed with them.

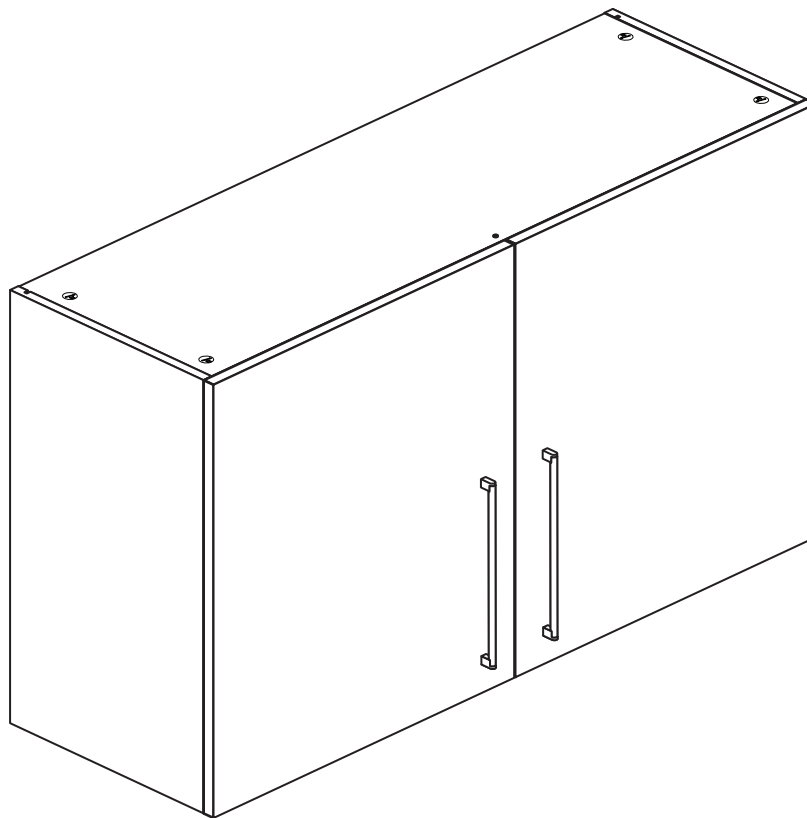
We recommend that you consult a qualified joiner or kitchen fitter.

Note: Now the assembly has finished you can remove any protective film from the panels.

Assembly is complete



Warning: The unit is heavy. Lift with care.



If you need help or have damaged or missing parts, call the **Customer Helpline: 03456 400800** and quote the reference numbers on the component pages.

Argos Ltd, 489-499 Avebury Boulevard, Central Milton Keynes, MK9 2NW