

# Malibu - Tall Media Unit

Assembly Instructions - Please keep for future reference

184/8072

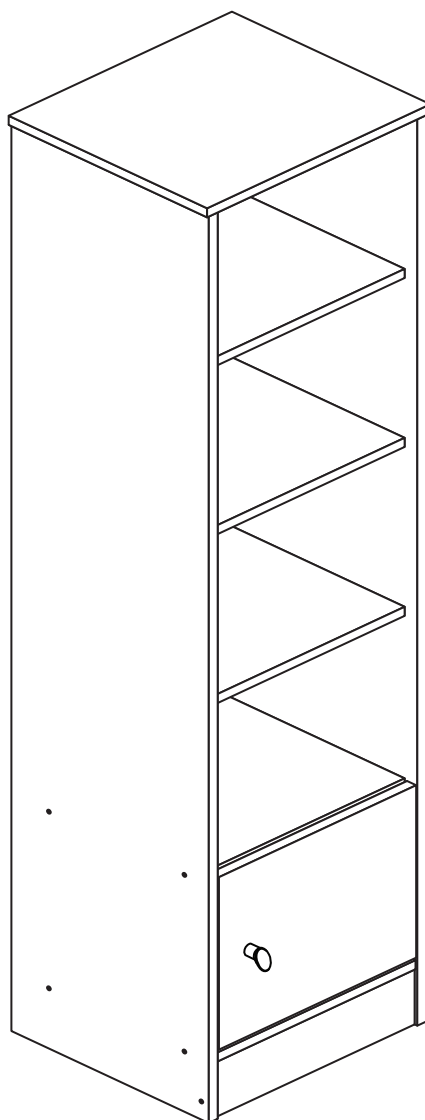
190/3278

183/7825

171/5356

161/6929

189/7274



## Dimensions

Width - 37cm

Depth - 33cm

Height - 151.5cm



**MADE IN  
BRITAIN**

**Important** - Please read these instructions fully before starting assembly

If you need help or have damaged or missing parts, call the **Customer Helpline: 08456 400800**



# Safety and Care Advice

**Important - Please read these instructions fully before starting assembly**

- **Warning:** This unit weighs approximately 18kgs. Please lift with care.

- Check you have all the components and tools listed on pages 2 and 3.

- Remove all fittings from the plastic bags and separate them into their groups.

- Keep children and animals away from the work area, small parts could choke if swallowed.

- Parts of the assembly will be easier with 2 people.

- Make sure you have enough space to layout the parts before starting.

- Do not stand or put weight on the product, this could cause damage.

- Assemble the item as close to its final position (in the same room) as possible.

- Assemble on a soft level surface to avoid damaging the unit or your floor (use opened out unit carton).



- We do not recommend the use of power drill/drivers **for inserting screws**, as this could damage the unit. Only use hand screwdrivers.

- **Safety note:** It is recommended that this unit is secured to a wall using the bracket supplied.

- Dispose of all packaging carefully and responsibly.

## Care and maintenance

- Only clean using a damp cloth and mild detergent, do not use bleach or abrasive cleaners.

- From time to time check that there are no loose screws on this unit.

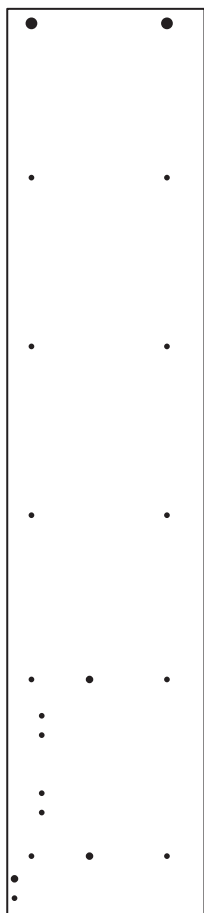
- This product should not be discarded with household waste. Take to your local authority waste disposal centre.

**Note:** If required the next page can be cut out and used as reference throughout the assembly. Keep this page with these instructions for future reference.

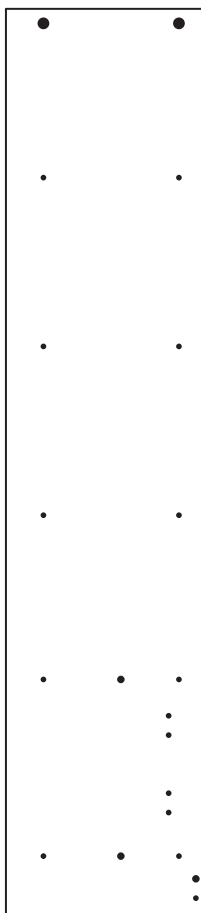
# Components - Panels

If you have damaged or missing components, call the **Customer Helpline: 08456 400800** quoting the reference numbers below

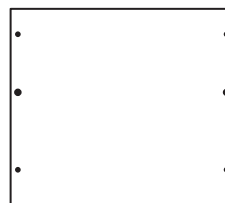
Please check you have all the panels listed below



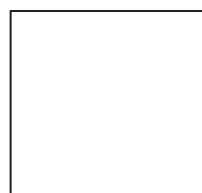
**1** Left Side (D2522A)  
(1500 x 326mm)



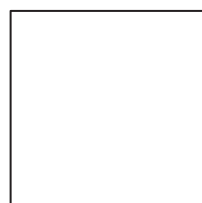
**2** Right Side (D2523A)  
(1500 x 326mm)



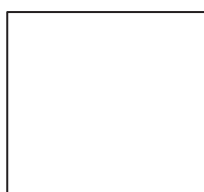
**3** Top (D2521A)  
(369 x 328mm)



**4** Horizontal (D2525A)  
(330 x 305mm)



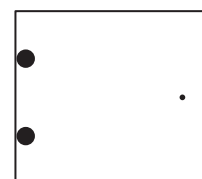
**5** Base (D2524A)  
(330 x 323mm)



**6** Shelf (D2526A)  
(330 x 305mm) x 3



**7** Plinth (D2527A)  
(330 x 92mm)



**8** Door (D2528A)  
(285 x 326mm)



**9** Back (X1419-356)  
(1419 x 356mm)

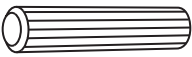
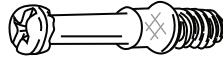

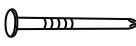






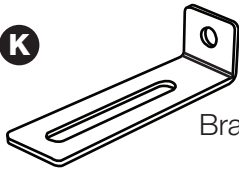

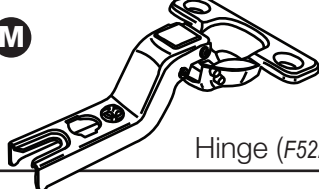


# Components - Fittings

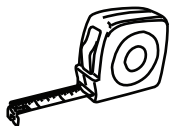
If you have damaged or missing components, call the **Customer Helpline: 08456 400800** quoting the reference numbers below

Please check you have all the fittings listed below

**Note:** The quantities below are the correct amount to complete the assembly. In some cases more fittings may be supplied than are required.

<p><b>A</b> </p> <p>Wooden dowel (F22) x 8</p>	<p><b>B</b> </p> <p>Metal dowel (F901) x 4</p>	<p><b>C</b> </p> <p>Handle (F631) x 1</p>
<p><b>D</b> </p> <p>Nail (F51) x 24</p>	<p><b>E</b> </p> <p>Large locking nut (F900) x 4</p>	<p><b>F</b> </p> <p>Shelf support (F121) x 12</p>
<p><b>G</b> </p> <p>40mm Screw (F910) x 10</p>	<p><b>H</b> </p> <p>25mm Screw (F50) x 1</p>	<p><b>I</b> </p> <p>13mm Screw (F63) x 4</p>
<p><b>J</b> </p> <p>13mm Screw (F79) x 1</p>	<p><b>K</b> </p> <p>Bracket (F327) x 1</p>	
<p><b>L</b> </p> <p>Hinge plate (F523) x 2</p>	<p><b>M</b> </p> <p>Hinge (F522) x 2</p>	

## Tools required



Rule



Cross-head screwdriver



Scissors



Hammer

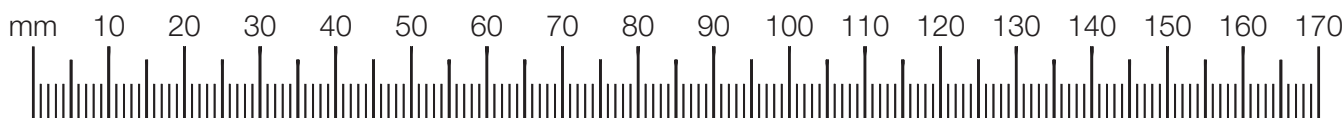


Eye protection (when using a hammer or drill)



Electric drill (do not use for fitting screws)

Ruler - Use this ruler to help correctly identify the screws



# Assembly Instructions

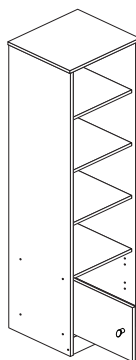
If you have damaged or missing components, call the **Customer Helpline: 08456 400800** quoting the reference numbers below

## Step 1

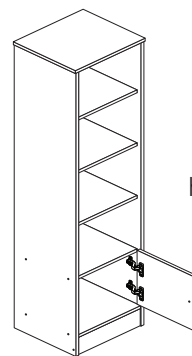
### Choose which way you would like the door to open

You can fit the door to the left side or right side.

If you would like your door to open this way, fit the hinge plates to the left side



If you would like your door to open this way, fit the hinge plates to the right side



## Step 2

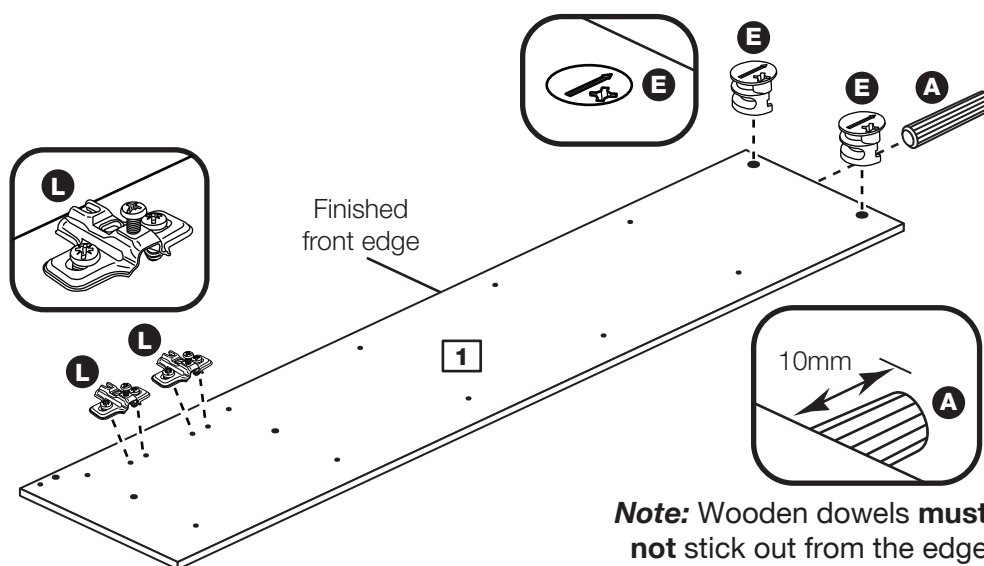
### Prepare the left side

Refer to step 1 and, if required, fit 2 hinge plates **L** onto the left side **1**, making sure that they face the same way as the diagram.

Insert 2 large locking nuts **E** into the left side **1** as shown.

**Note:** The arrow on the locking nut **must** point towards the hole in the edge of the panel.

Tap a wooden dowel **A** into the left side **1**.



**Note:** Wooden dowels **must not** stick out from the edge by more than 10mm or they may damage other panels.

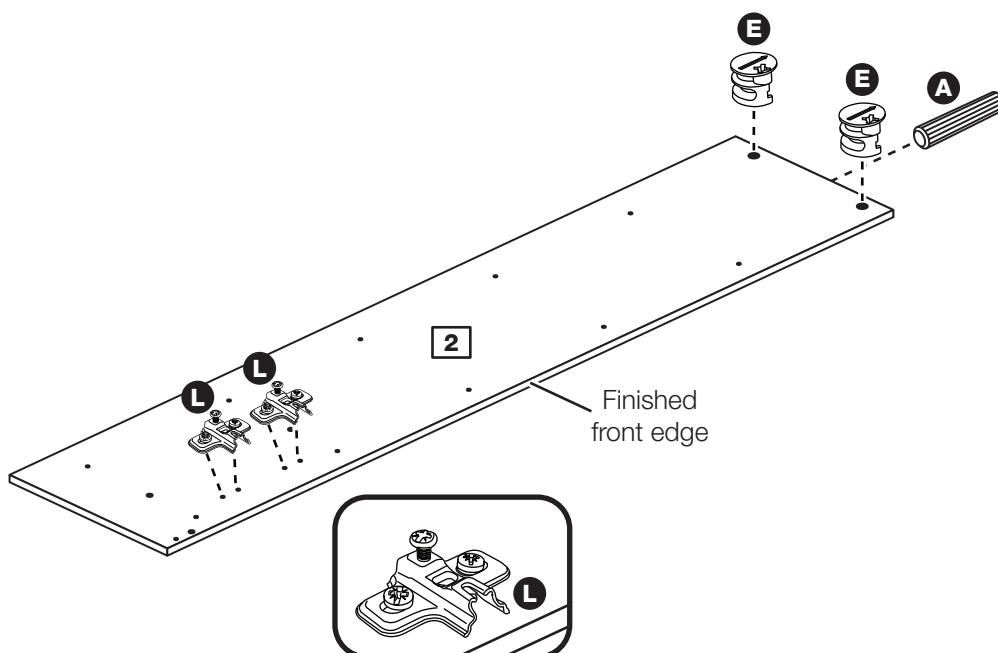
## Step 3

### Prepare the right side

Refer to step 1 and, if required, fit 2 hinge plates **L** onto the right side **2**, making sure that they face the same way as the diagram.

Insert 2 large locking nuts **E** into the right side **2** as shown.

Tap a wooden dowel **A** into the right side **2**.



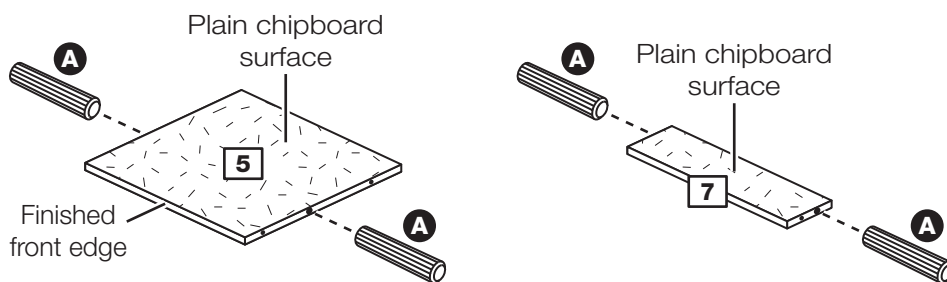
# Assembly Instructions

## Step 4

### Prepare the base and the plinth

Tap 2 wooden dowels **A** into the base **5**.

Tap 2 wooden dowels **A** into the plinth **7**.

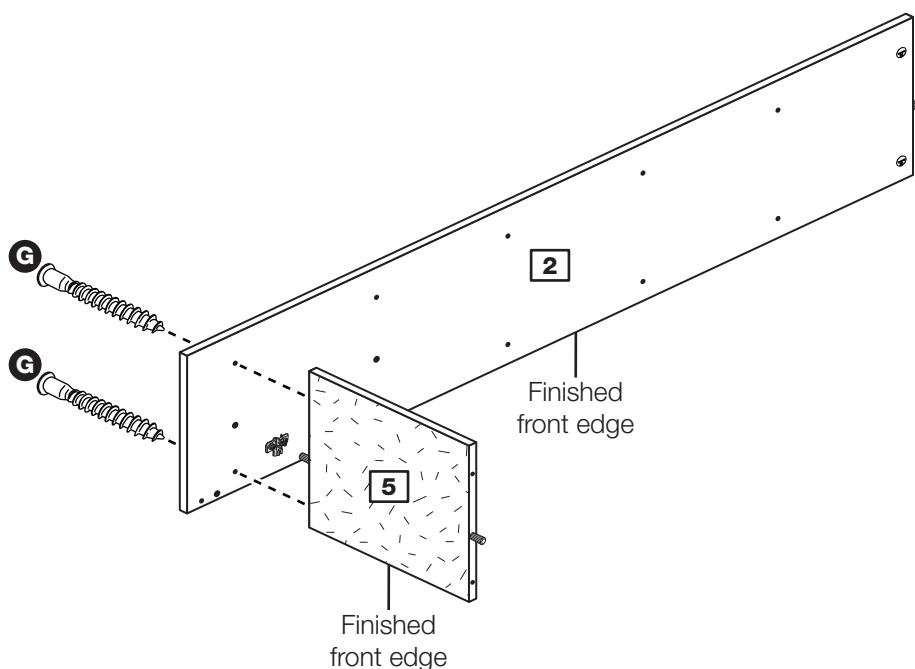


**Note:** The base is larger than the horizontal (see panels page).

## Step 5

### Fit the base to the right side

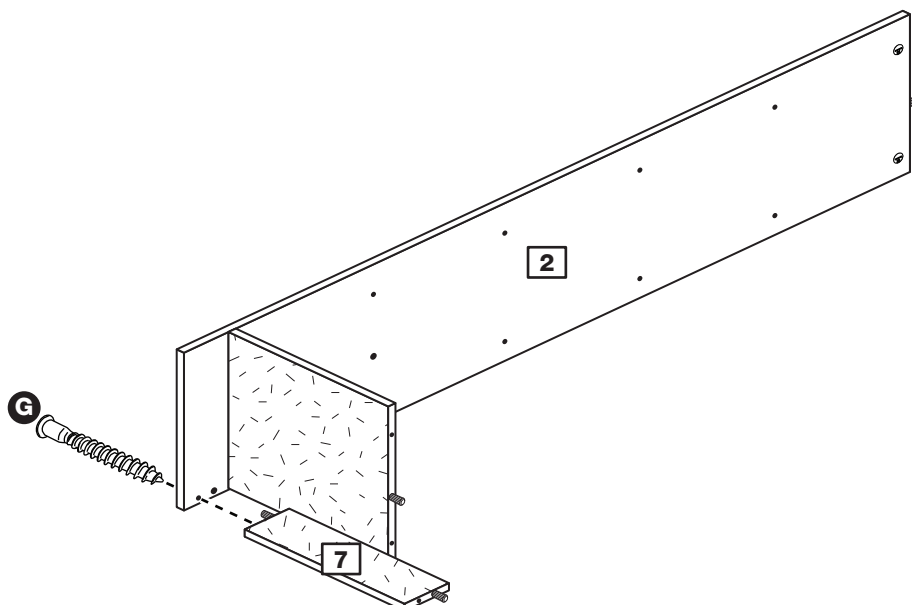
Push the base **5** onto the right side **2** and secure with 2 screws **G**.



## Step 6

### Fit the plinth to the right side

Push the plinth **7** onto the right side **2** and secure with a screw **G**.

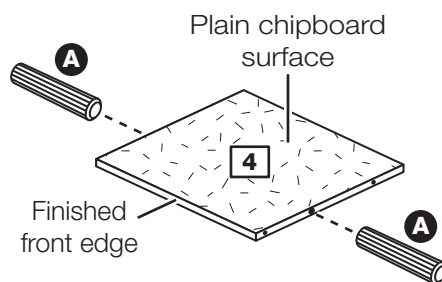


# Assembly Instructions

## Step 7

### Prepare the horizontal

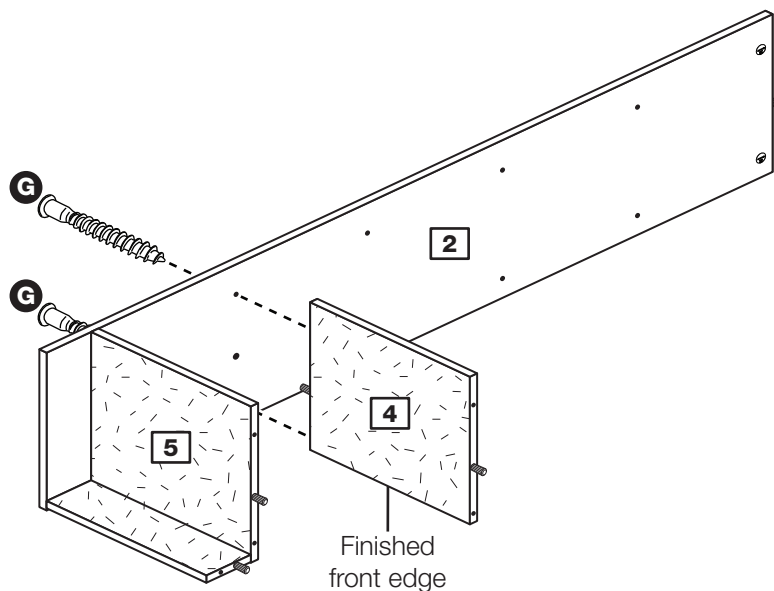
Tap 2 wooden dowels **A** into the horizontal **4**.



## Step 8

### Fit the horizontal

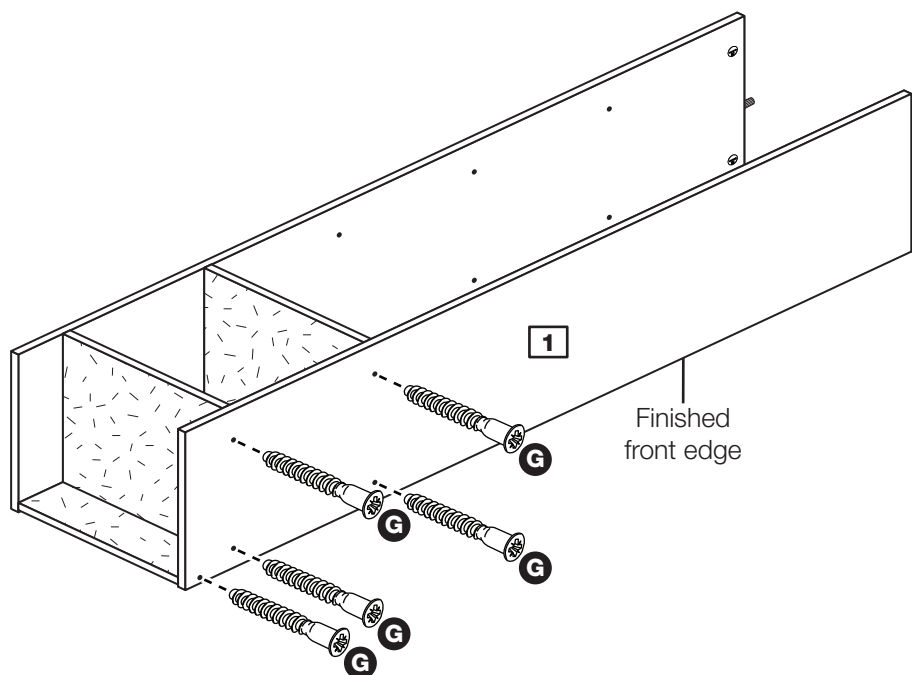
Push the horizontal **4** onto the right side **2** and secure with 2 screws **G**.



## Step 9

### Fit the left side

Push the left side **1** onto the assembly and secure with 5 screws **G**.



# Assembly Instructions

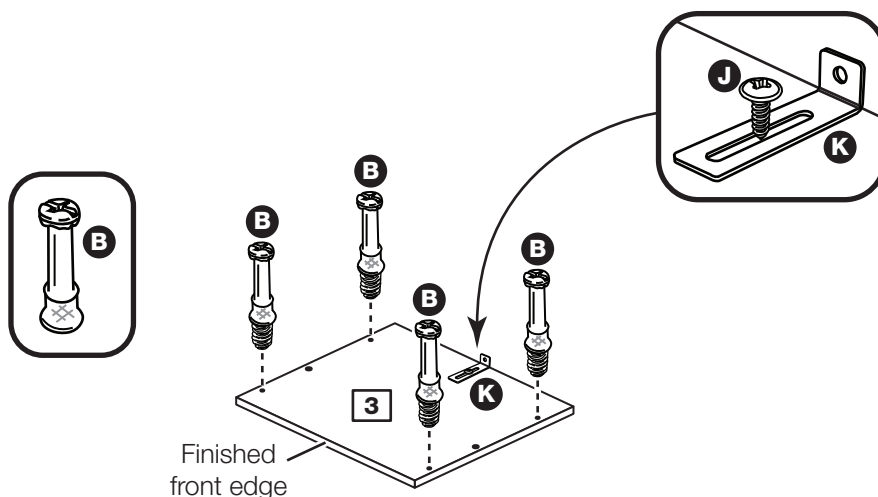
## Step 10

### Prepare the top

Screw 4 metal dowels **B** into the top **3**.

**Note:** Tighten the metal dowels up fully against the panel.

Fix the bracket **K** in the middle of the top **3**, flush to the back edge using screw **J**.



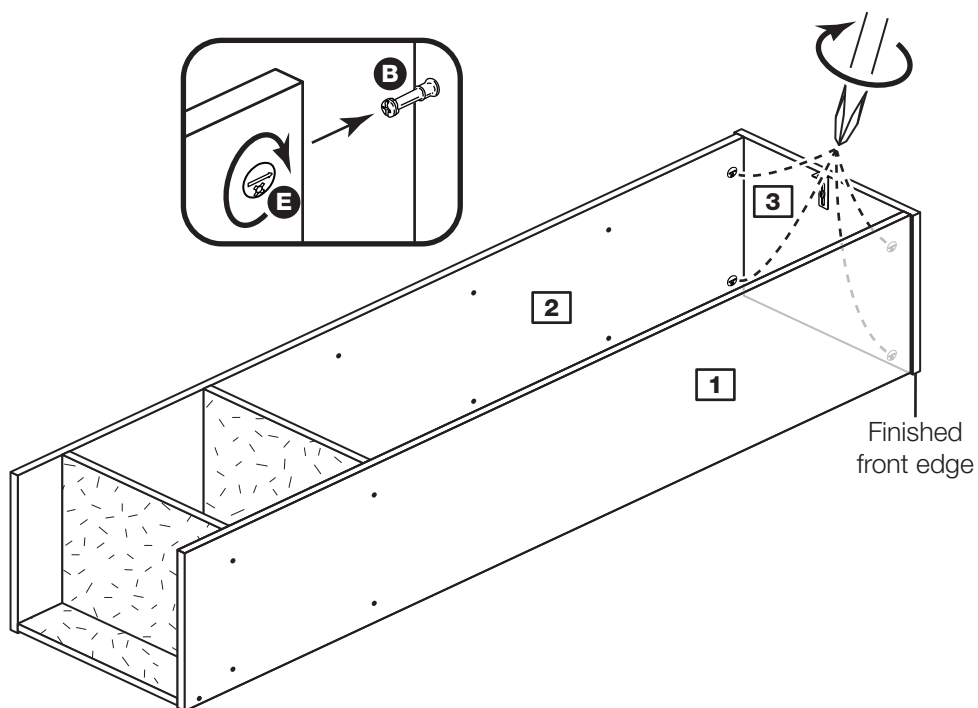
## Step 11

### Fit the top

Push the top **3** onto the assembly.

Use a screwdriver to tighten the 4 large locking nuts **E** fitted to the side panels **1** and **2**.

**Note:** Turn the large locking nuts **E** as far as they will go - more than 1/2 a turn.





# Assembly Instructions

## Step 12

### Fit the back

**a:** Square up the unit by making sure that measurement **x** to **x** equals **y** to **y**.

**b:** Place the back **9** onto the unit.

Nail **D** around the outside edges of the back **9**.

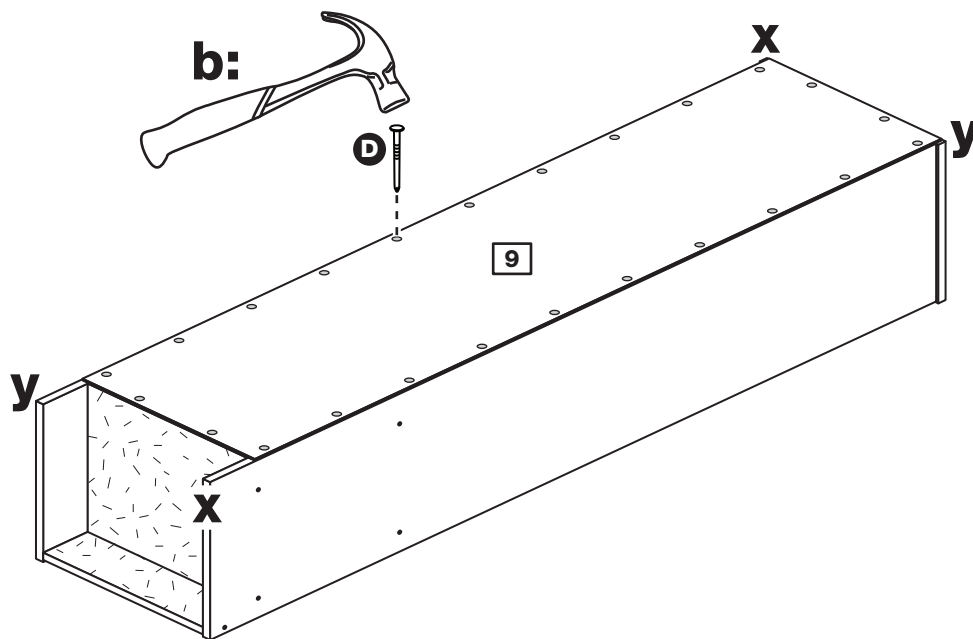
**Note:** Nails should be spaced about 150mm apart.

**Carefully stand the unit up for the next step.**



**Warning:** The unit is heavy. Lift with care.

**a:** The measurement from top corner X to bottom corner X must be equal to the measurement from top corner Y to bottom corner Y



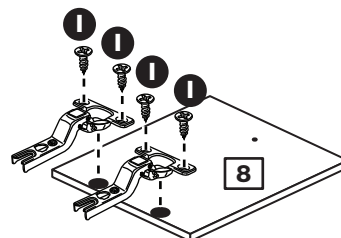
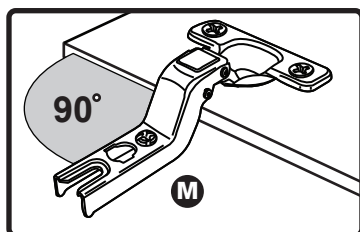
## Step 13

### Prepare the door

Push fit 2 hinges **M** into the door **8**.

Secure each hinge with 2 screws **L**.

**Note:** Before securing with the screws, make sure that the hinges are positioned at 90 degrees with the edge of the door.



# Assembly Instructions

## Step 14

### Fit door and handle

**Note:** The easiest way to attach the door **8** is to fit the top hinge first, then align and fit the other hinge.

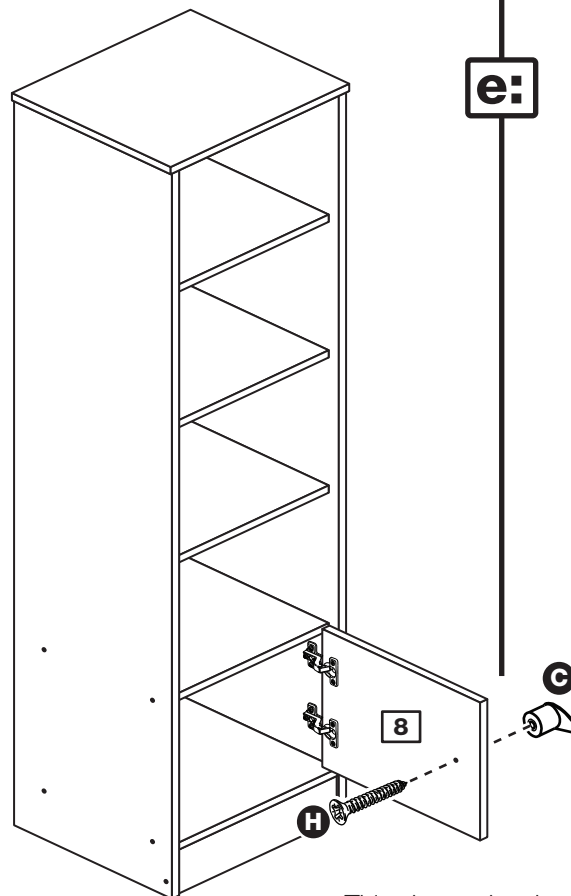
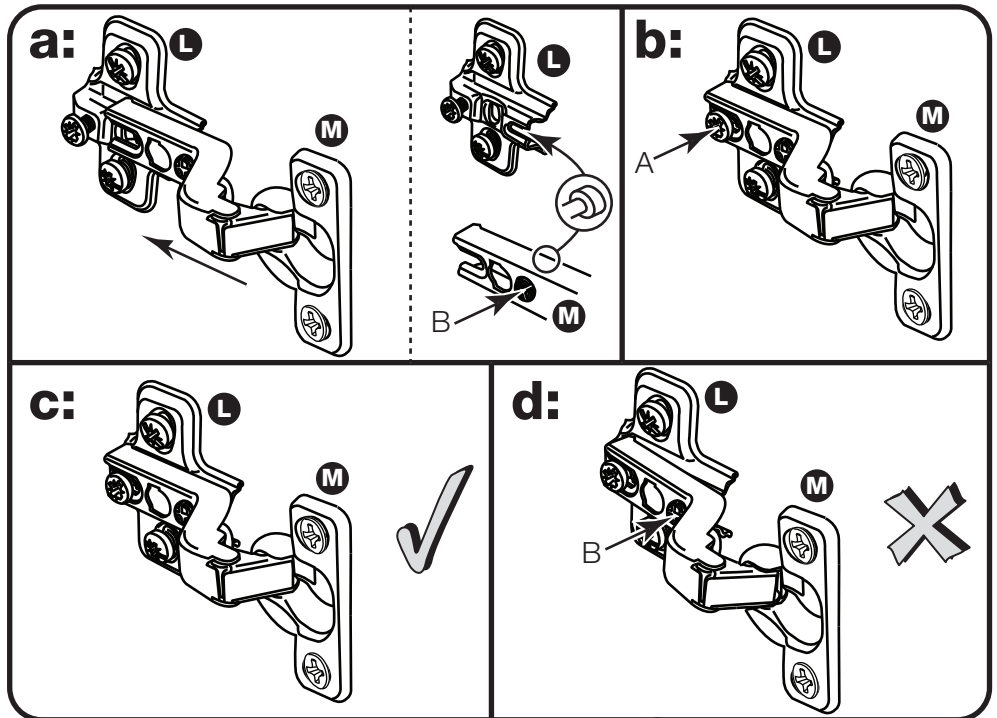
**a:** Push the hinge **M** onto the front part of the hinge plate **L**. The recess at the bottom of screw B goes into the slot in the hinge plate.

**b:** Keep the hinge **M** FLAT against the hinge plate **L** as you slide it across as far as it will go. Tighten screw A.

**c:** The hinge **M** must be flat against the hinge plate **L** prior to any adjustment.

**d:** The hinge **M** must NOT be AT AN ANGLE to the hinge plate **L** when assembled. This would indicate that the recess at the bottom of screw B had not located in the slot in the hinge plate and the hinge would not be secure. Remove the hinge from the hinge plate and then re-assemble being careful to follow instructions a-c.

**e:** Attach a handle **C** to the door **8** using screw **H**.



This shows the door being fitted to hinge plates on the right side. You may have fitted them to the left side.

# Assembly Instructions

## Step 15

### Adjust the door if needed

**a:** Before adjusting the door, use a spirit level to check the top (or base) of the unit is level, front-to-back and side-to-side in the 3 positions shown. Use suitable packing pieces (not supplied) to make the unit level BEFORE making any adjustment to the hinges, as shown.

### **b:** Height adjustment.

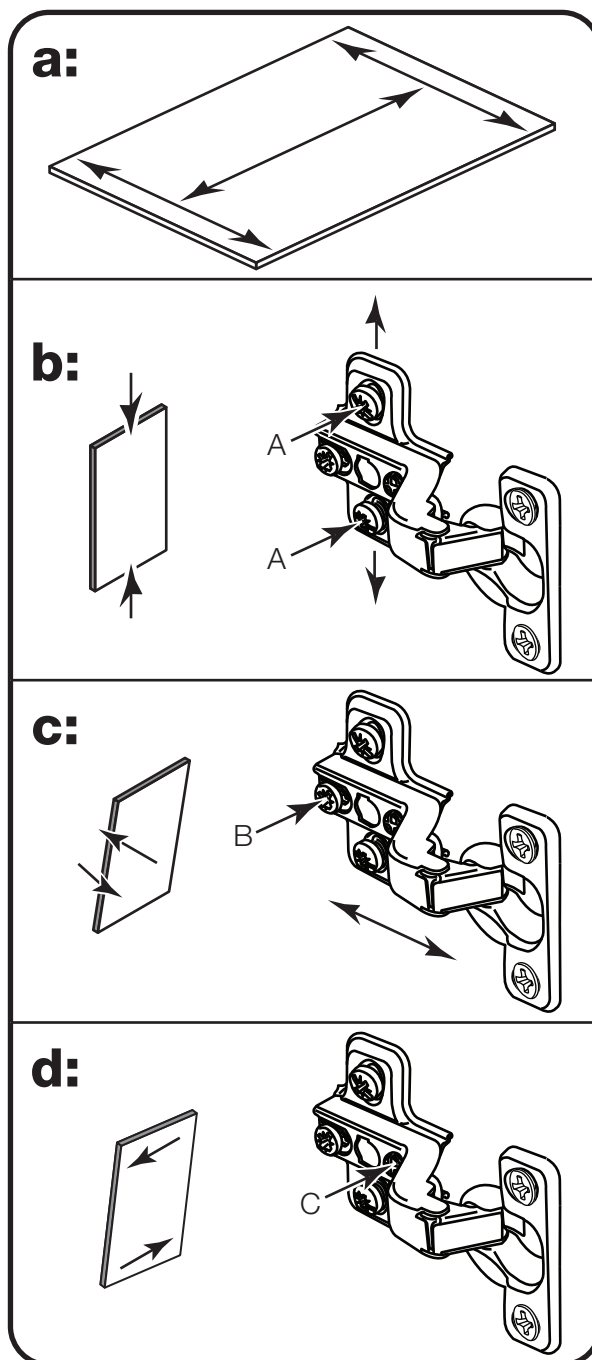
Loosen screws A on hinge plates and move door up or down as required. Retighten screw A.

### **c:** Forward and Back adjustment.

Loosen screw B on hinge plate and move door in or out as required. Retighten screw B.

### **d:** Sideways adjustment.

To move door 'out' loosen screw C. To move door 'in' tighten screw C.



# Assembly Instructions

## Step 16

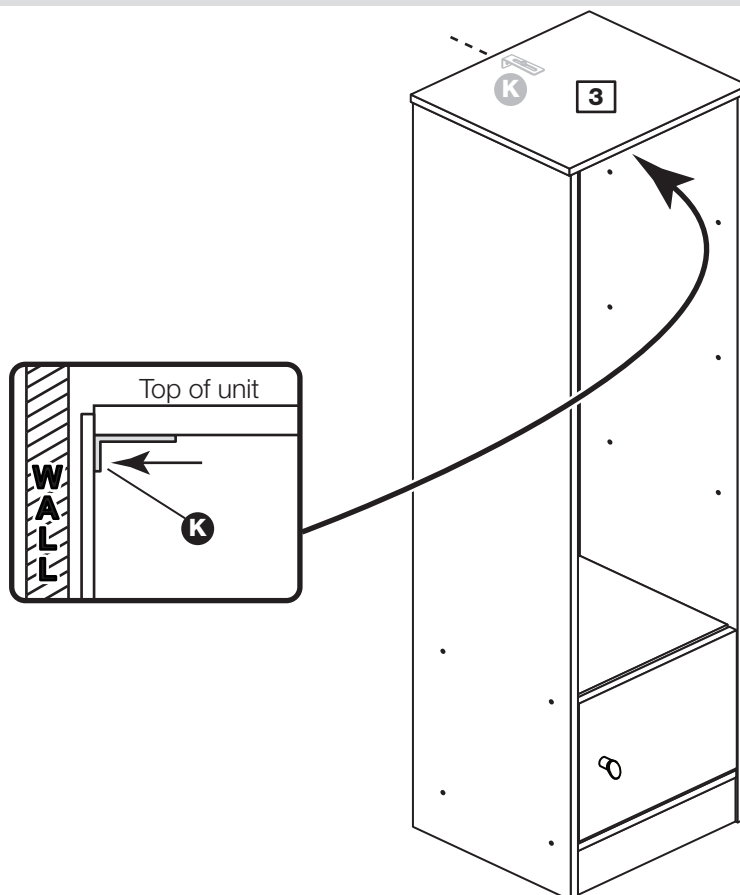
### Secure unit to a wall

To prevent possible overbalancing we recommend that this unit is secured to a suitable wall by use of the metal bracket **K** fitted to the top **3**.

Fixings are not supplied as they will need to suit the wall type, and the length of screw will depend on the distance of the back of the unit to the wall.



**Warning:** Take care when drilling the wall that you do not drill into any pipes, wires etc. If in doubt, consult an expert.



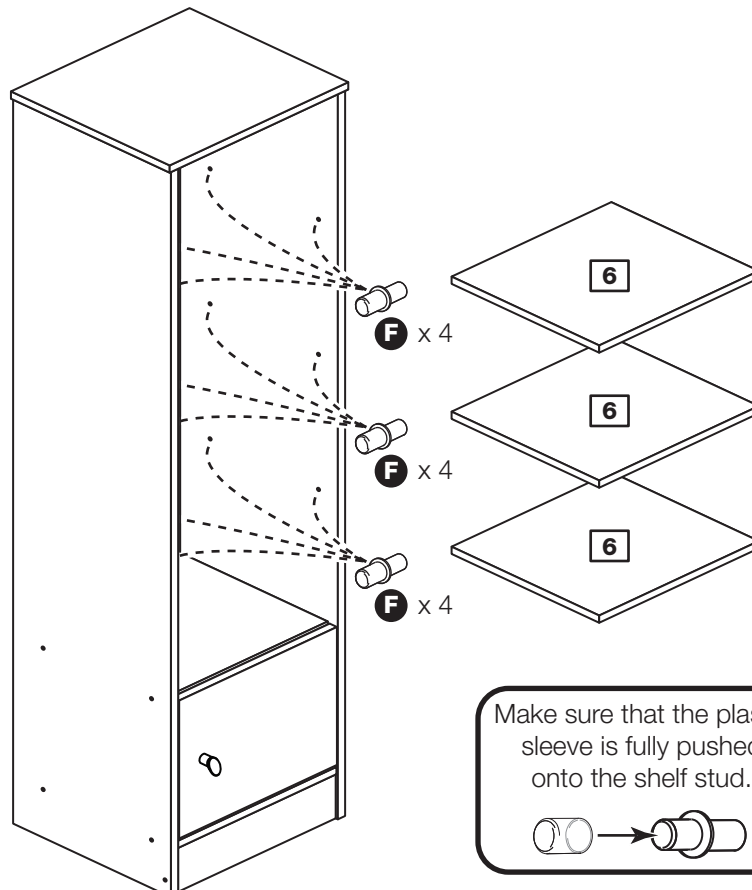
## Step 17

### Fit the shelves

For each of the 3 shelves **6** insert 4 shelf studs **F**.

Lower the 3 shelves **6** down onto the shelf studs **F**.

**Assembly is complete**



If you need help or have damaged or missing parts, call the Customer Helpline: 08456 400800 and quote the reference numbers on the component pages.

Argos Ltd, 489-499 Avebury Boulevard, Central Milton Keynes, MK9 2NW

# Malibu - Tall Media Unit

Assembly Instructions - Please keep for future reference

184/8072

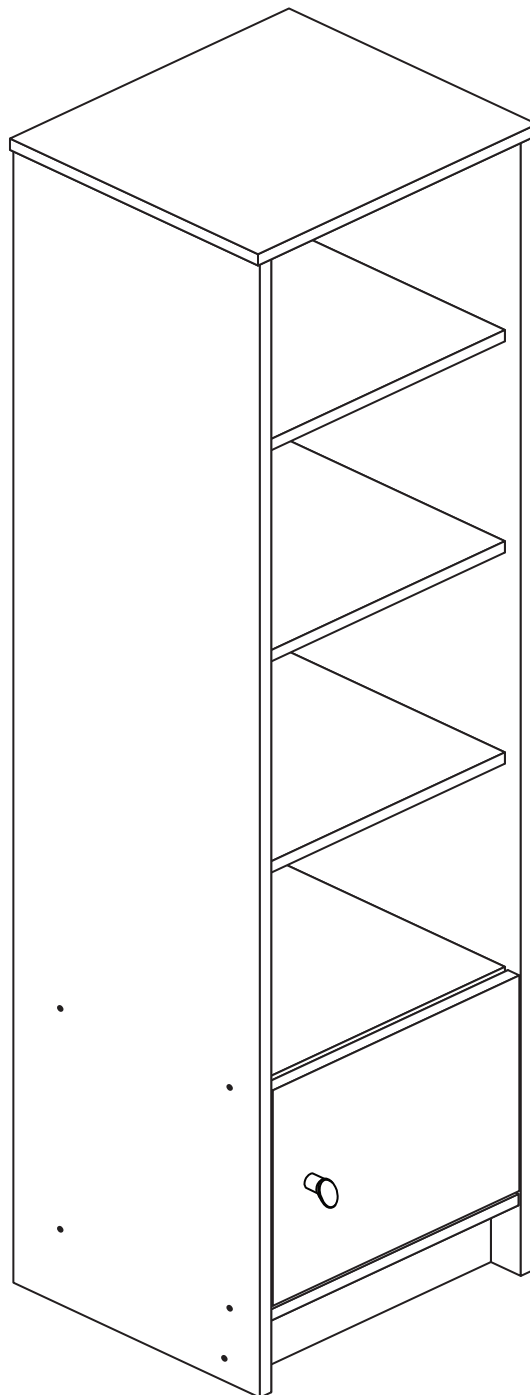
190/3278

183/7825

171/5356

161/6929

189/7274



## Dimensions

Width - 37cm

Depth - 33cm

Height - 151.5cm



**MADE IN  
BRITAIN**

**Important** - Please read these instructions fully before starting assembly

If you need help or have damaged or missing parts, call the **Customer Helpline: 08456 400800**



# Safety and Care Advice

**Important - Please read these instructions fully before starting assembly**

- **Warning:** This unit weighs approximately 18kgs. Please lift with care.

- Check you have all the components and tools listed on pages 2 and 3.

- Remove all fittings from the plastic bags and separate them into their groups.

- Keep children and animals away from the work area, small parts could choke if swallowed.

- Parts of the assembly will be easier with 2 people.

- Make sure you have enough space to layout the parts before starting.

- Do not stand or put weight on the product, this could cause damage.

- Assemble the item as close to its final position (in the same room) as possible.

- Assemble on a soft level surface to avoid damaging the unit or your floor (use opened out unit carton).



- We do not recommend the use of power drill/drivers **for inserting screws**, as this could damage the unit. Only use hand screwdrivers.

- **Safety note:** It is recommended that this unit is secured to a wall using the bracket supplied.

- Dispose of all packaging carefully and responsibly.

## Care and maintenance

- Only clean using a damp cloth and mild detergent, do not use bleach or abrasive cleaners.

- From time to time check that there are no loose screws on this unit.

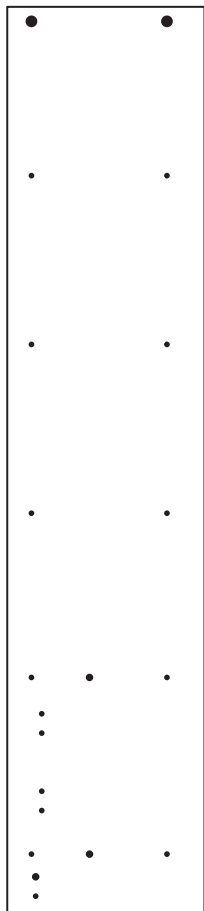
- This product should not be discarded with household waste. Take to your local authority waste disposal centre.

**Note:** If required the next page can be cut out and used as reference throughout the assembly. Keep this page with these instructions for future reference.

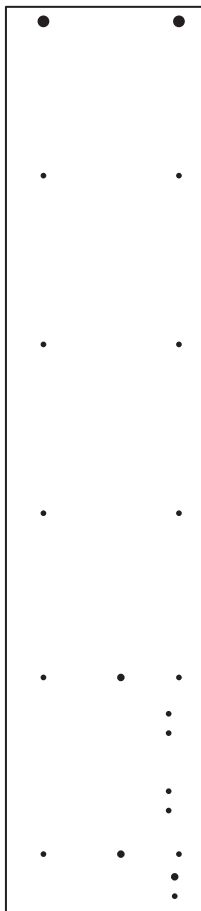
# Components - Panels

If you have damaged or missing components, call the **Customer Helpline: 08456 400800** quoting the reference numbers below

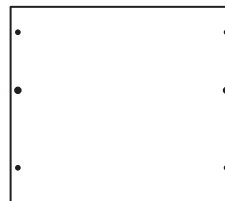
Please check you have all the panels listed below



**1** Left Side (D2522B)  
(1500 x 326mm)



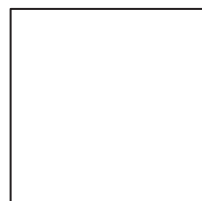
**2** Right Side (D2523B)  
(1500 x 326mm)



**3** Top (D2521A)  
(369 x 328mm)



**4** Horizontal (D2525A)  
(330 x 305mm)



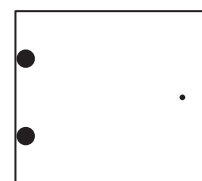
**5** Base (D2524A)  
(330 x 323mm)



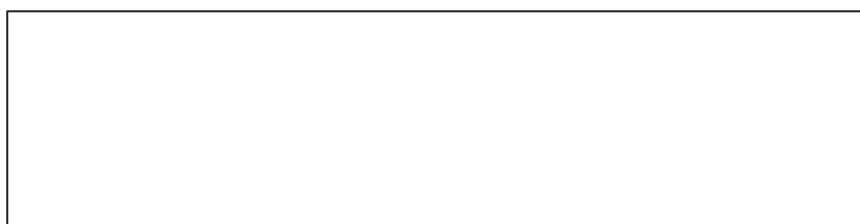
**6** Shelf (D2526A)  
(330 x 305mm) x 3



**7** Plinth (D2527A)  
(330 x 92mm)



**8** Door (D2528A)  
(285 x 326mm)



**9** Back (X1419-356)  
(1419 x 356mm)

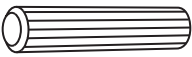
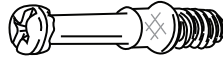

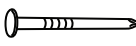






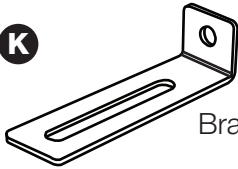
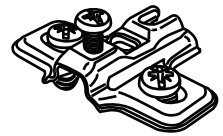
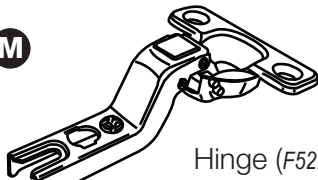
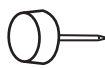


# Components - Fittings

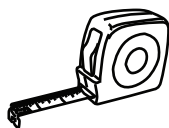
If you have damaged or missing components, call the **Customer Helpline: 08456 400800** quoting the reference numbers below

Please check you have all the fittings listed below

**Note:** The quantities below are the correct amount to complete the assembly. In some cases more fittings may be supplied than are required.

<p><b>A</b> </p> <p>Wooden dowel (F22) x 8</p>	<p><b>B</b> </p> <p>Metal dowel (F901) x 4</p>	<p><b>C</b> </p> <p>Handle (F631) x 1</p>
<p><b>D</b> </p> <p>Nail (F51) x 24</p>	<p><b>E</b> </p> <p>Large locking nut (F900) x 4</p>	<p><b>F</b> </p> <p>Shelf support (F121) x 12</p>
<p><b>G</b> </p> <p>40mm Screw (F910) x 10</p>	<p><b>H</b> </p> <p>25mm Screw (F50) x 1</p>	<p><b>I</b> </p> <p>13mm Screw (F63) x 4</p>
<p><b>J</b> </p> <p>13mm Screw (F79) x 1</p>	<p><b>K</b> </p> <p>Bracket (F327) x 1</p>	<p><b>L</b> </p> <p>Hinge plate (F523) x 2</p>
<p><b>M</b> </p> <p>Hinge (F522) x 2</p>	<p><b>N</b> </p> <p>Plastic Nail (F91) x 4</p>	

## Tools required



Rule



Cross-head screwdriver



Scissors



Hammer



Eye protection  
(when using a hammer or drill)



Electric drill  
(do not use for fitting screws)

Ruler - Use this ruler to help correctly identify the screws

mm 10 20 30 40 50 60 70 80 90 100 110 120 130 140 150 160 170



# Assembly Instructions

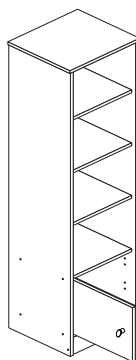
If you have damaged or missing components, call the **Customer Helpline: 08456 400800** quoting the reference numbers below

## Step 1

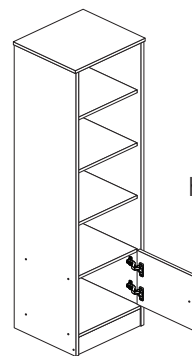
### Choose which way you would like the door to open

You can fit the door to the left side or right side.

If you would like your door to open this way, fit the hinge plates to the left side



If you would like your door to open this way, fit the hinge plates to the right side



## Step 2

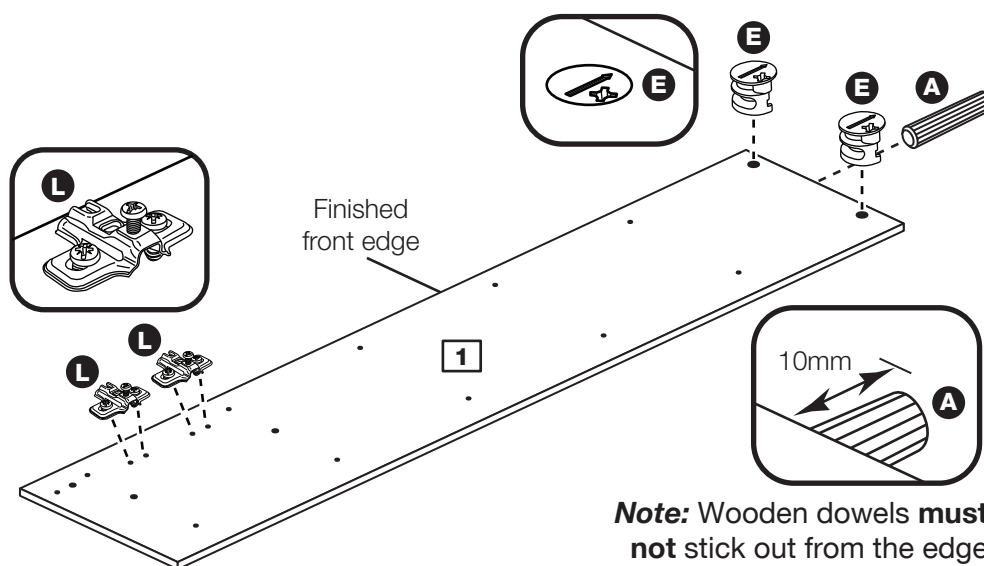
### Prepare the left side

Refer to step 1 and, if required, fit 2 hinge plates **L** onto the left side **1**, making sure that they face the same way as the diagram.

Insert 2 large locking nuts **E** into the left side **1** as shown.

**Note:** The arrow on the locking nut **must** point towards the hole in the edge of the panel.

Tap a wooden dowel **A** into the left side **1**.



**Note:** Wooden dowels **must not** stick out from the edge by more than 10mm or they may damage other panels.

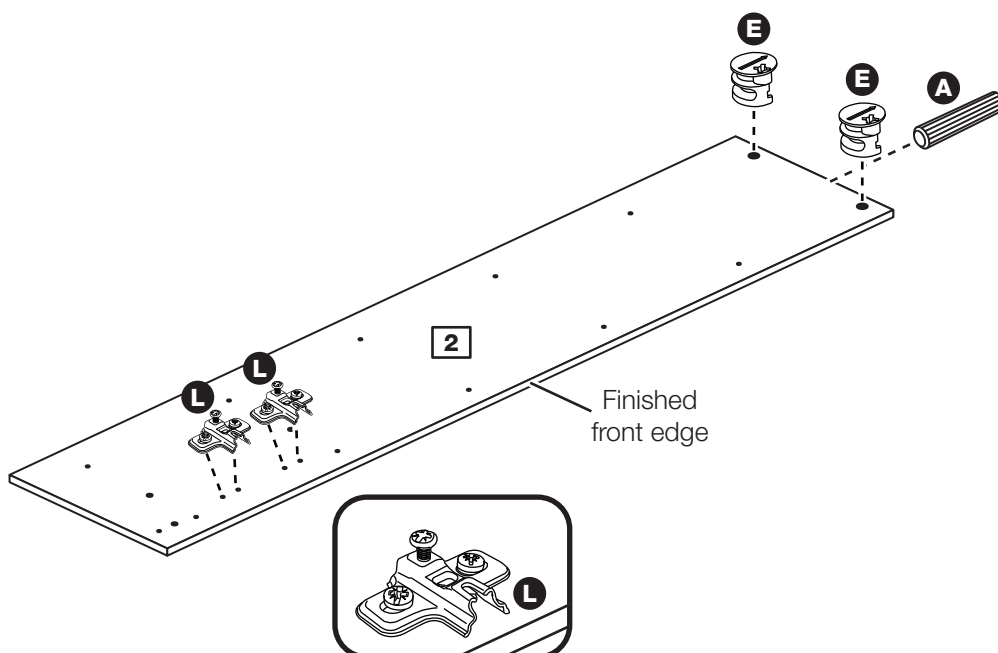
## Step 3

### Prepare the right side

Refer to step 1 and, if required, fit 2 hinge plates **L** onto the right side **2**, making sure that they face the same way as the diagram.

Insert 2 large locking nuts **E** into the right side **2** as shown.

Tap a wooden dowel **A** into the right side **2**.



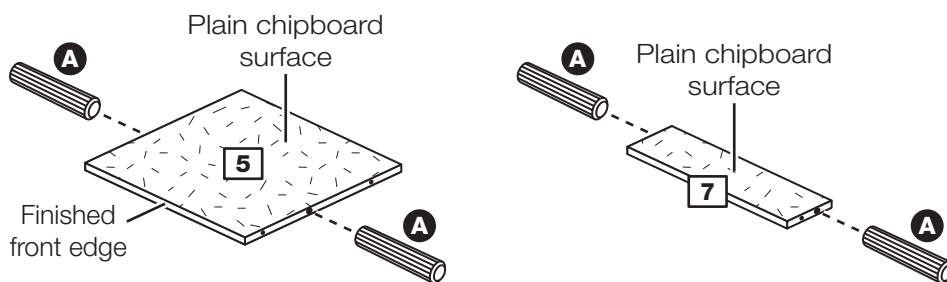
# Assembly Instructions

## Step 4

### Prepare the base and the plinth

Tap 2 wooden dowels **A** into the base **5**.

Tap 2 wooden dowels **A** into the plinth **7**.

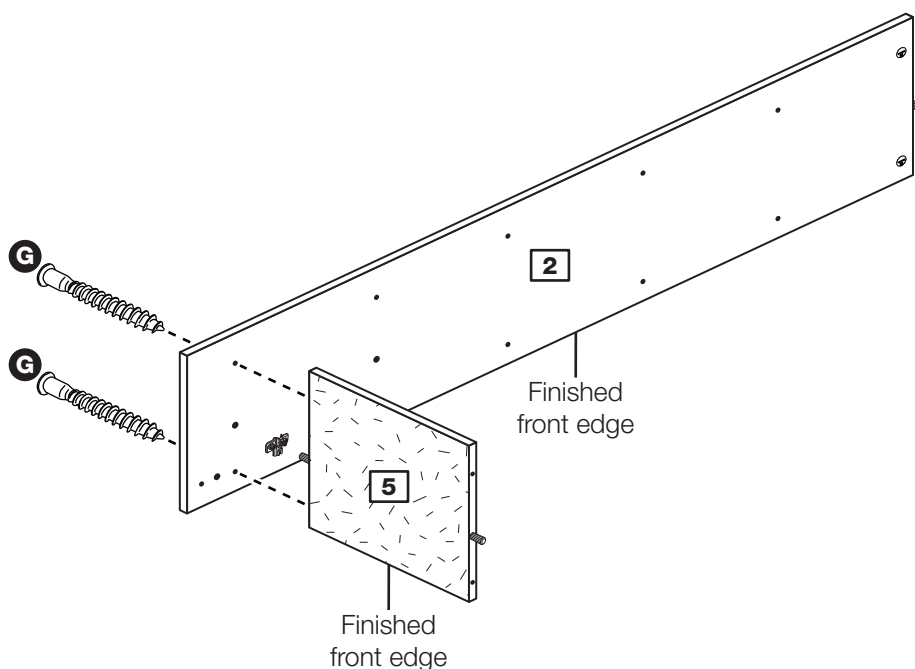


**Note:** The base is larger than the horizontal (see panels page).

## Step 5

### Fit the base to the right side

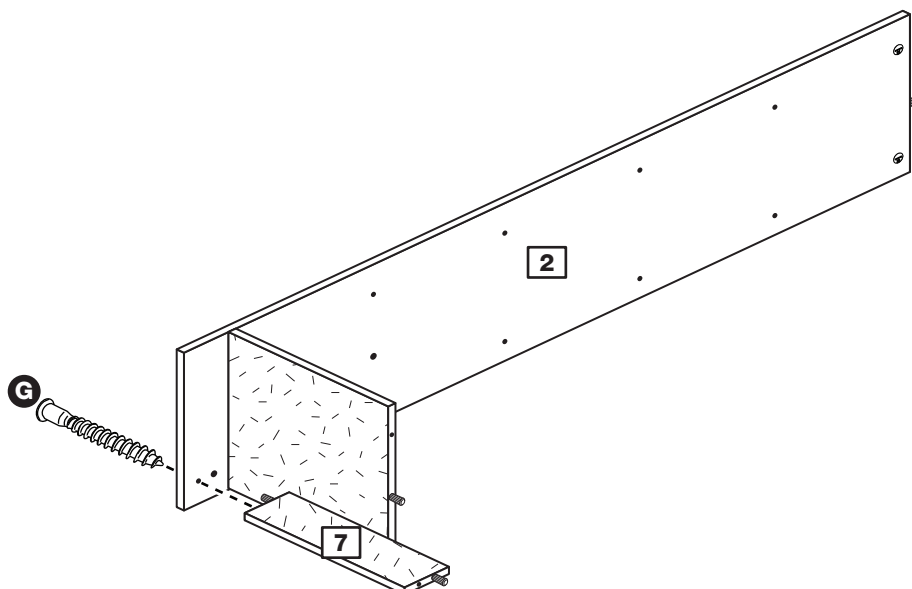
Push the base **5** onto the right side **2** and secure with 2 screws **G**.



## Step 6

### Fit the plinth to the right side

Push the plinth **7** onto the right side **2** and secure with a screw **G**.

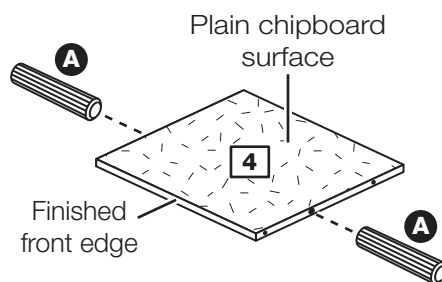


# Assembly Instructions

## Step 7

### Prepare the horizontal

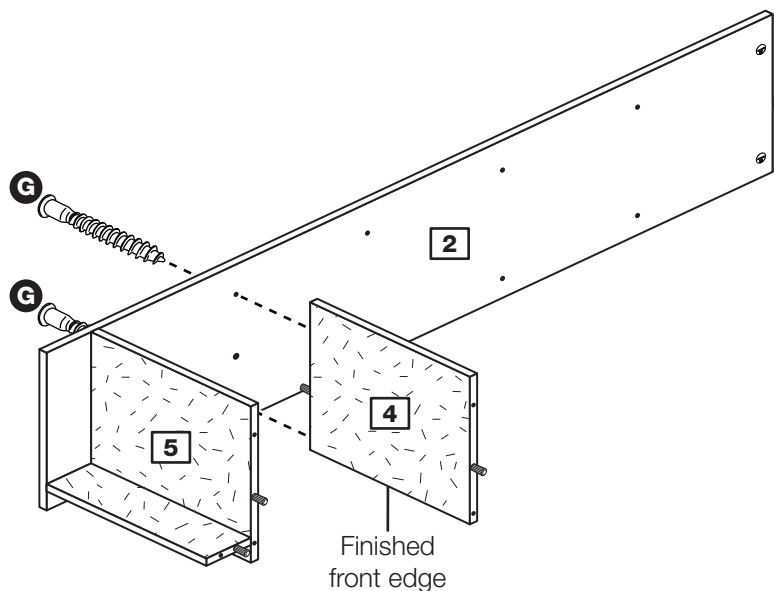
Tap 2 wooden dowels **A** into the horizontal **4**.



## Step 8

### Fit the horizontal

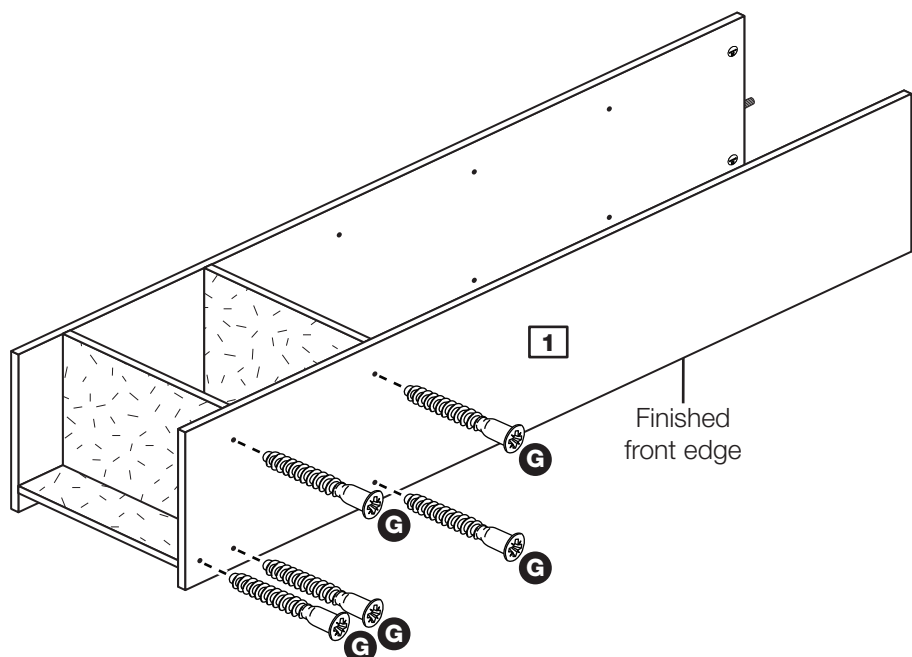
Push the horizontal **4** onto the right side **2** and secure with 2 screws **G**.



## Step 9

### Fit the left side

Push the left side **1** onto the assembly and secure with 5 screws **G**.



# Assembly Instructions

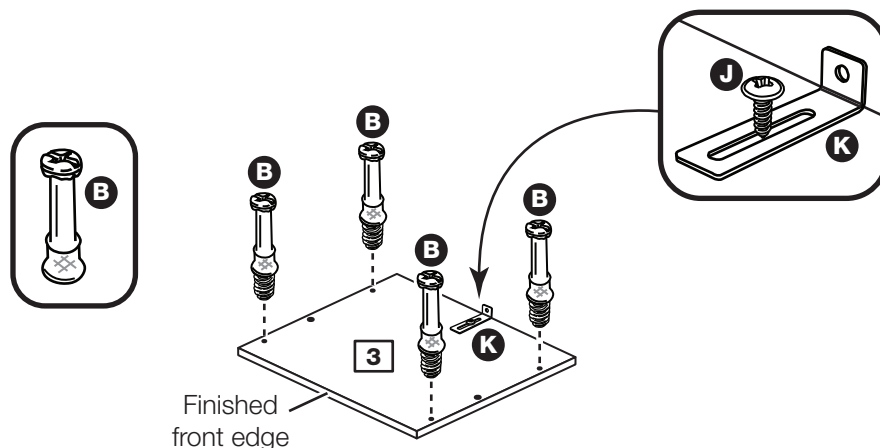
## Step 10

### Prepare the top

Screw 4 metal dowels **B** into the top **3**.

**Note:** Tighten the metal dowels up fully against the panel.

Fix the bracket **K** in the middle of the top **3**, flush to the back edge using screw **J**.



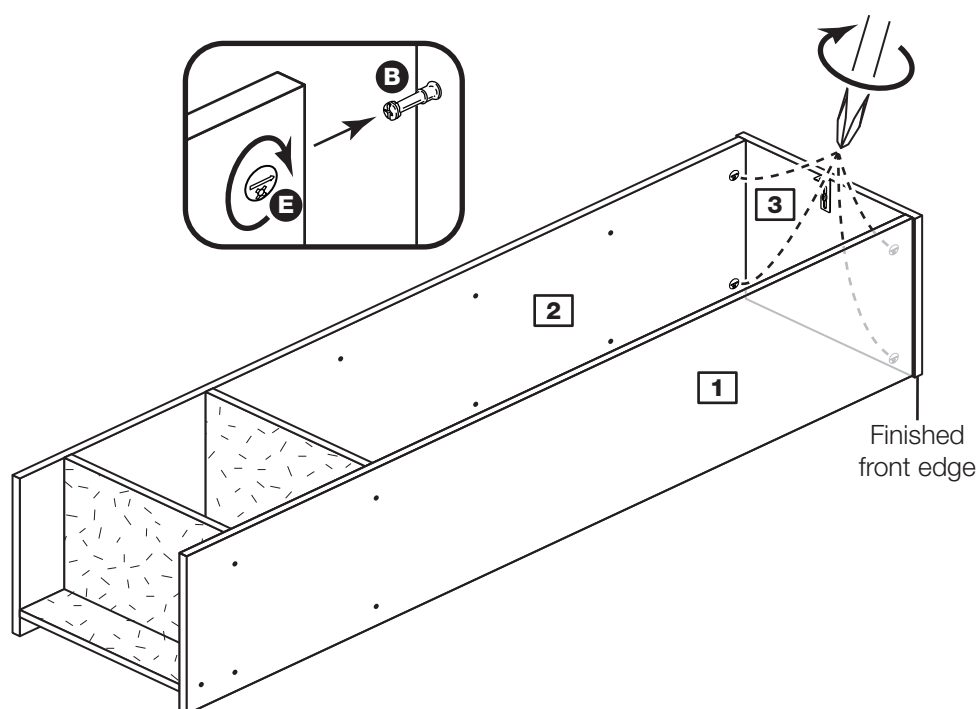
## Step 11

### Fit the top

Push the top **3** onto the assembly.

Use a screwdriver to tighten the 4 large locking nuts **E** fitted to the side panels **1** and **2**.

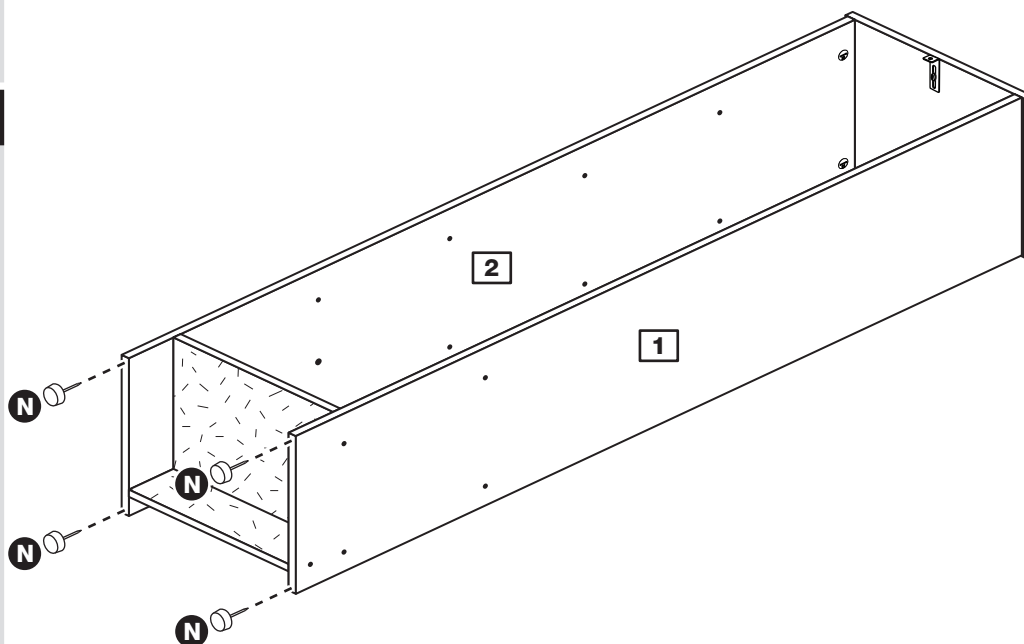
**Note:** Turn the large locking nuts **E** as far as they will go - more than 1/2 a turn.



## Step 12

### Fit the 4 plastic nails

Tap 2 plastic nails **N** into the bottom edge of each side **1** and **2** as shown.



# Assembly Instructions

## Step 13

### Fit the back

**a:** Square up the unit by making sure that measurement **x** to **x** equals **y** to **y**.

**b:** Place the back **9** onto the unit.

Nail **D** around the outside edges of the back **9**.

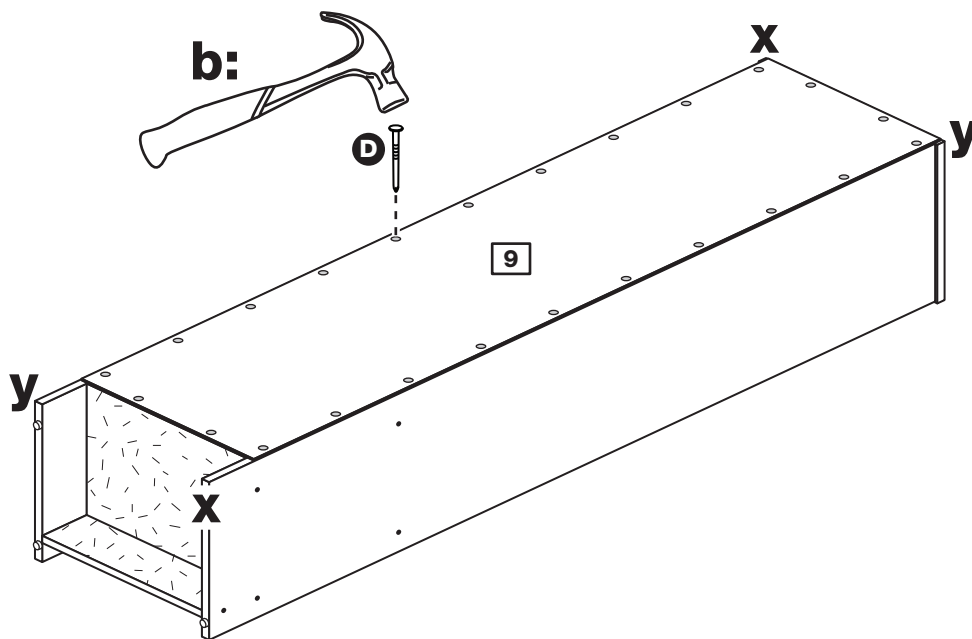
**Note:** Nails should be spaced about 150mm apart.

**Carefully stand the unit up for the next step.**



**Warning:** The unit is heavy. Lift with care.

**a:** The measurement from top corner X to bottom corner X must be equal to the measurement from top corner Y to bottom corner Y



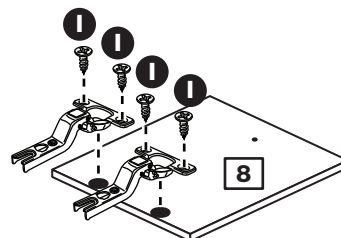
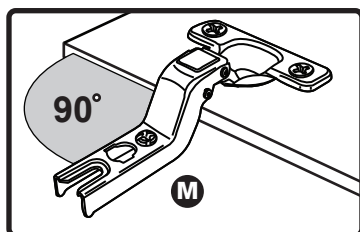
## Step 14

### Prepare the door

Push fit 2 hinges **M** into the door **8**.

Secure each hinge with 2 screws **L**.

**Note:** Before securing with the screws, make sure that the hinges are positioned at 90 degrees with the edge of the door.



# Assembly Instructions

## Step 15

### Fit door and handle

**Note:** The easiest way to attach the door **8** is to fit the top hinge first, then align and fit the other hinge.

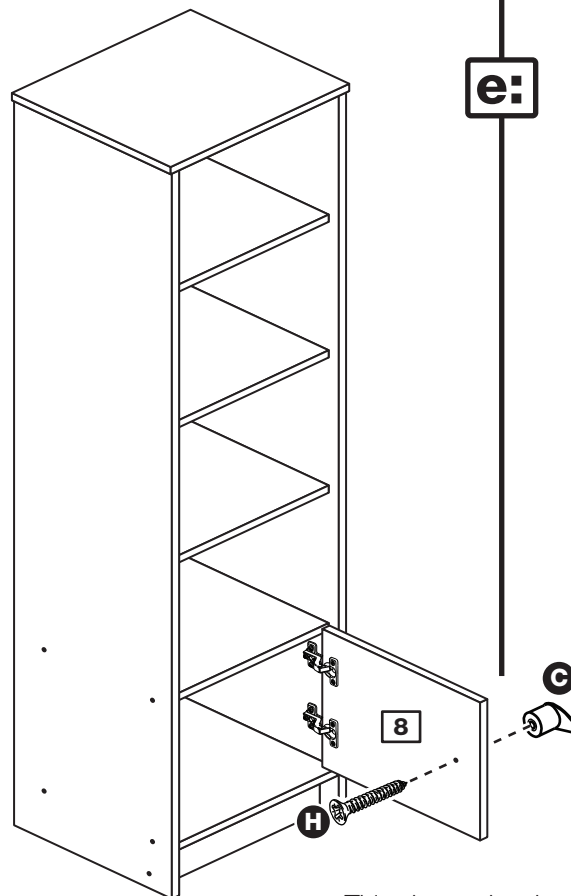
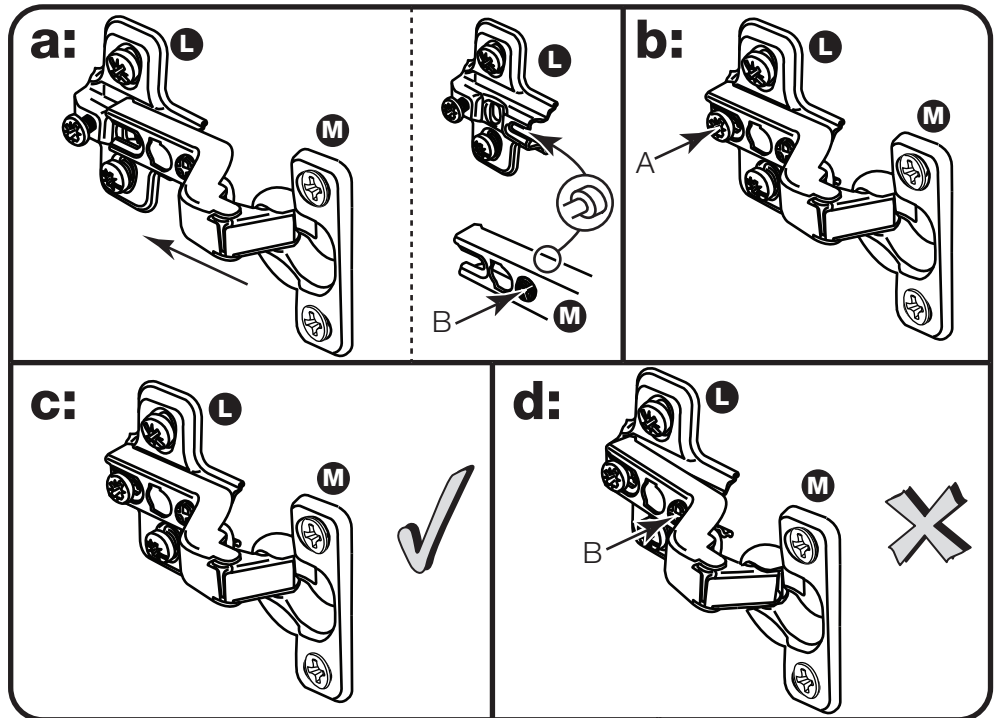
**a:** Push the hinge **M** onto the front part of the hinge plate **L**. The recess at the bottom of screw **B** goes into the slot in the hinge plate.

**b:** Keep the hinge **M** FLAT against the hinge plate **L** as you slide it across as far as it will go. Tighten screw **A**.

**c:** The hinge **M** must be flat against the hinge plate **L** prior to any adjustment.

**d:** The hinge **M** must NOT be AT AN ANGLE to the hinge plate **L** when assembled. This would indicate that the recess at the bottom of screw **B** had not located in the slot in the hinge plate and the hinge would not be secure. Remove the hinge from the hinge plate and then re-assemble being careful to follow instructions a-c.

**e:** Attach a handle **C** to the door **8** using screw **H**.



This shows the door being fitted to hinge plates on the right side. You may have fitted them to the left side.

# Assembly Instructions

## Step 16

### Adjust the door if needed

**a:** Before adjusting the door, use a spirit level to check the top (or base) of the unit is level, front-to-back and side-to-side in the 3 positions shown. Use suitable packing pieces (not supplied) to make the unit level BEFORE making any adjustment to the hinges, as shown.

### **b:** Height adjustment.

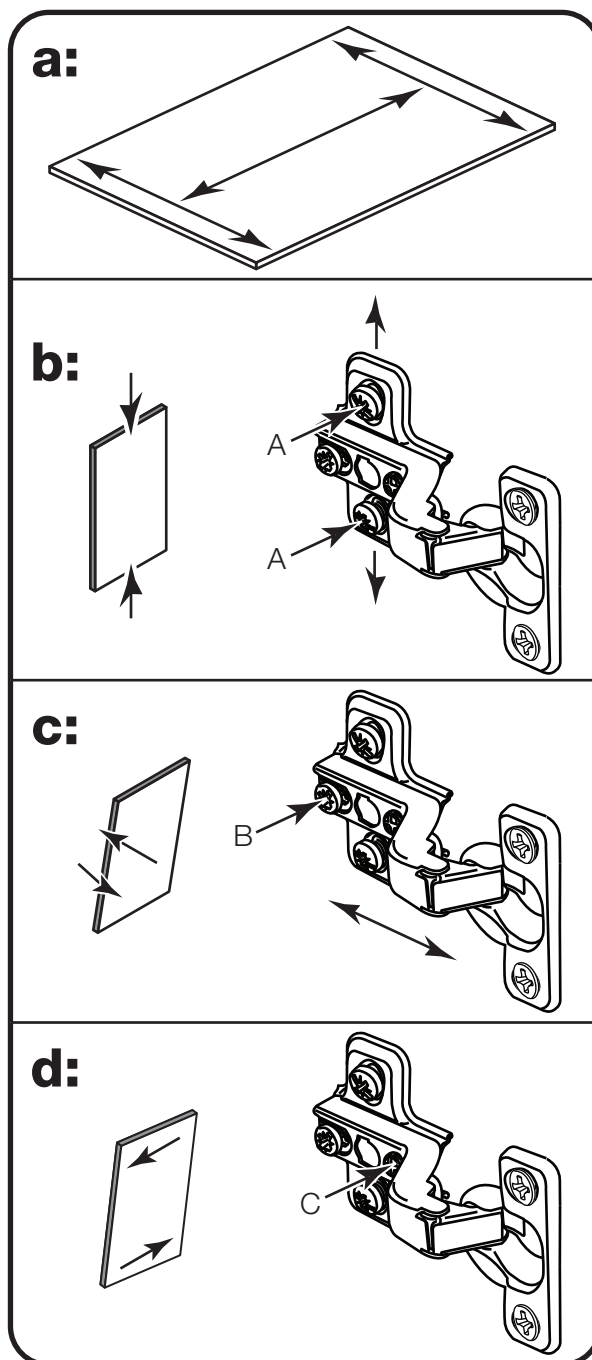
Loosen screws A on hinge plates and move door up or down as required. Retighten screw A.

### **c:** Forward and Back adjustment.

Loosen screw B on hinge plate and move door in or out as required. Retighten screw B.

### **d:** Sideways adjustment.

To move door 'out' loosen screw C. To move door 'in' tighten screw C.



# Assembly Instructions

## Step 17

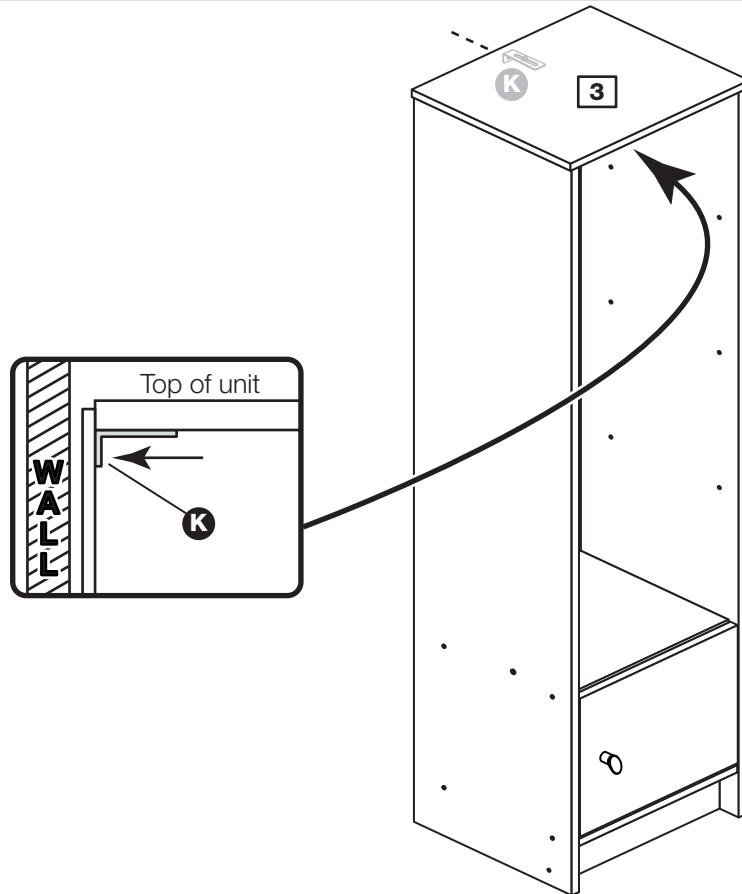
### Secure unit to a wall

To prevent possible overbalancing we recommend that this unit is secured to a suitable wall by use of the metal bracket **K** fitted to the top **3**.

Fixings are not supplied as they will need to suit the wall type, and the length of screw will depend on the distance of the back of the unit to the wall.



**Warning:** Take care when drilling the wall that you do not drill into any pipes, wires etc. If in doubt, consult an expert.



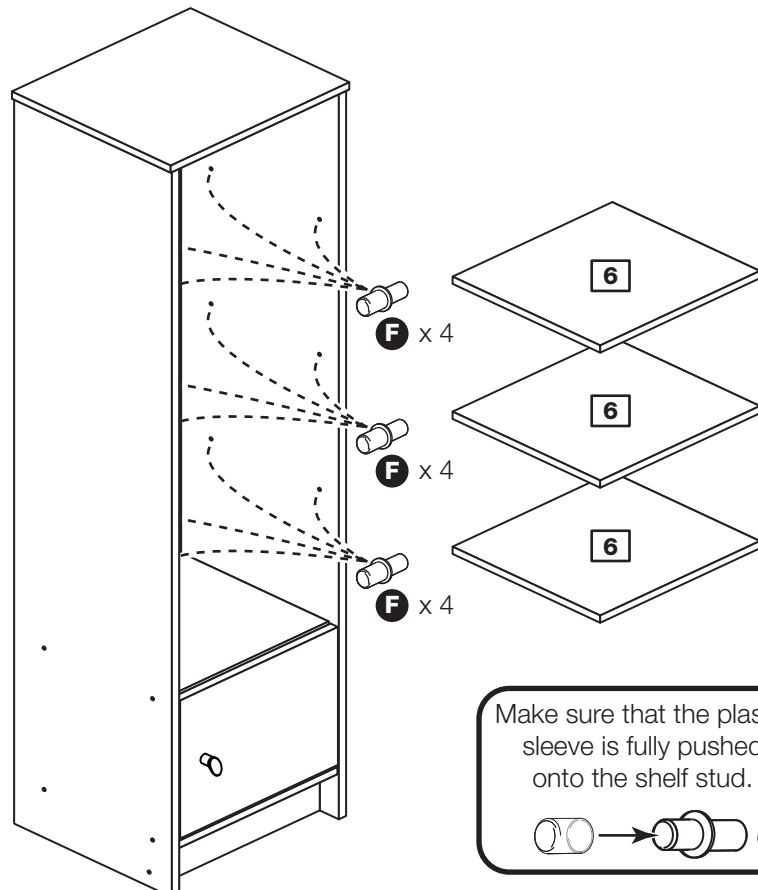
## Step 18

### Fit the shelves

For each of the 3 shelves **6** insert 4 shelf studs **F**.

Lower the 3 shelves **6** down onto the shelf studs **F**.

**Assembly is complete**



Make sure that the plastic sleeve is fully pushed onto the shelf stud.



If you need help or have damaged or missing parts, call the Customer Helpline: 08456 400800 and quote the reference numbers on the component pages.

Argos Ltd, 489-499 Avebury Boulevard, Central Milton Keynes, MK9 2NW