

Samuel 3FT Bunk Bed

Assembly Instructions - Please keep for future reference

183/4842

173/5707

184/7877

IMPORTANT NOTE:

The top surface of the mattress should not come above this line.



Dimensions

Width - 198cm

Depth - 96.5cm

Height - 160cm

Important - Please read these instructions fully before starting assembly

If you need help or have damaged or missing parts, call the **Customer Helpline: 08456 400800**



Safety and Care Advice

Important - Please read these instructions fully before starting assembly

- Because of the size of this unit, it is recommended to assemble it in the room intended for use.
- Do not discard any of the packaging until you have checked that you have all the parts and the pack of fittings.
- Check you have all the components and tools listed on page 2 and 3.
- Remove all fittings from the plastic bags and separate them into their groups.

- Keep children and animals away from the work area, small parts could choke if swallowed.
- Make sure you have enough space to layout the parts before starting.
- Assemble this product on a flat surface.
- Assemble all parts loosely before tightening any bolts.
- At least 2 people are required to assemble this product.



• We do not recommend the use of power drill/drivers **for inserting screws**, as this could damage the unit. Only use hand screwdrivers.

- Unit weight: 38kgs.
- Retain Assembly Instructions for future reference.
- Discard all extra fittings and keep fittings out of reach of children.

Warnings

• READ CAREFULLY - RETAIN FOR FUTURE REFERENCE

- Regularly check and ensure that all bolts and fittings are tightened properly.
- Always use the ladder for entering and leaving the upper bunk.
- The recommended mattress size is L1900 x W910 mm.
- Ensure thickness of mattress does not exceed 220 mm.
- Refrain from using the bunk bed if any structural part is broken or missing.

- Please prohibit more than one person on the upper bunk.
- Please advise your children to only enter and leave the upper bunk by using the ladder.
- Please prohibit children from jumping on the upper and lower beds.
- **WARNING:** Children can become trapped between the bed and the wall. To avoid risk of serious injury the distance between the top safety barrier and the wall shall not exceed 75 mm or shall be more than 230 mm.

• **WARNING:** Do not allow children under 6 years of age to use the upper bunk due to risk of injury and falls.

• **STRANGULATION HAZARD** - Never attach or hang items such as ropes, strings, cords, harnesses and belts to any part of the bunk bed.

• **THIS BED COMPLIES WITH EN747-1:2012 / EN747-2:2012**

Manufacturer: BL Packaging Co. Ltd.

Care and maintenance

- Please clean this product using either damp (not wet) cloth and a mild domestic soap solution or by using an appropriate polish.

- Do not use any abrasive materials when cleaning.
- From time to time check that there are no loose bolts on this unit.

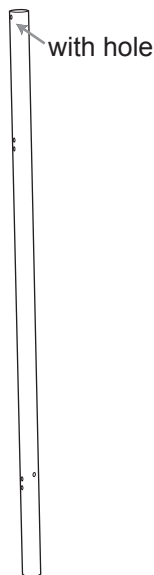
- This product should not be discarded with household waste. Take to your local authority waste disposal centre.

Note: if required the next page can be cut out and used as reference throughout the assembly. Keep this page with these instructions for future reference.

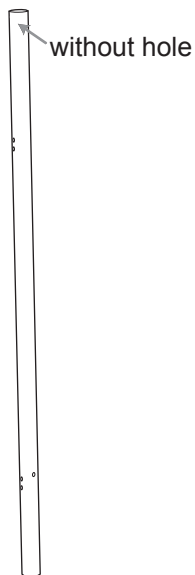
Components - Parts

If you have damaged or missing components, call the **Customer Helpline: 08456 400800**

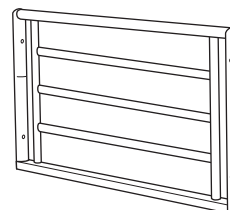
Please check you have all the parts listed below



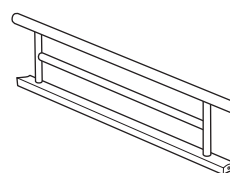
1 End post x 3
($\text{Ø}4.5 \times 160\text{cm}$)



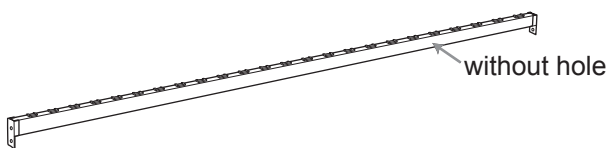
2 Front right-hand end post
($\text{Ø}4.5 \times 160\text{cm}$)



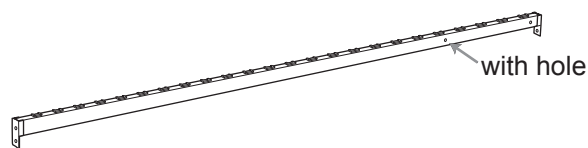
3 Upper side safety rail x 2
($89 \times 35.5 \times 3.5\text{cm}$)



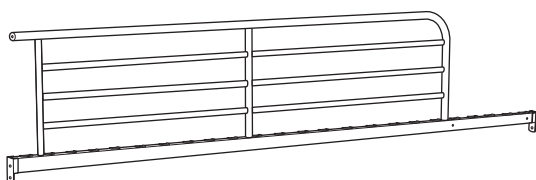
4 Lower side safety rail x 2
($91 \times 18.5 \times 3\text{cm}$)



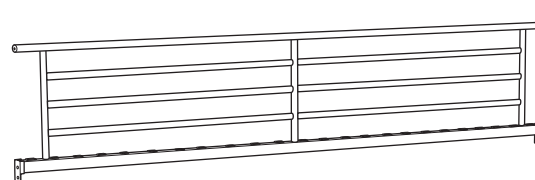
5 Back lower rail
($190 \times 7 \times 2.5\text{cm}$)



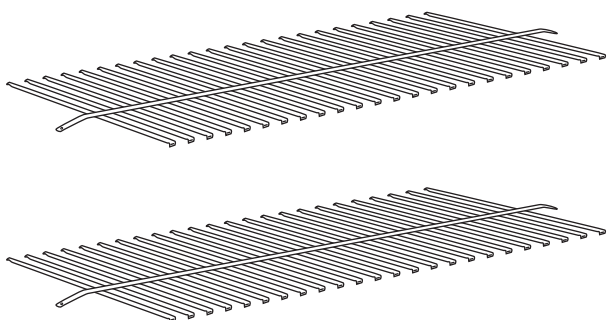
6 Front lower rail
($190 \times 7 \times 2.5\text{cm}$)



7 Upper front safety rail
($190 \times 41.5 \times 2.5\text{cm}$)



8 Upper back safety rail
($190 \times 41.5 \times 2.5\text{cm}$)



9 Slats (with webbing attached) x 48
($92.5 \times 2.5 \times 2.5 \times \text{Ø}1.6\text{cm}$)



10 Ladder side rail x 2
($3 \times 1.5 \times 93.5\text{cm}$)

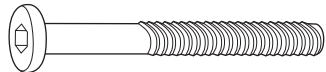
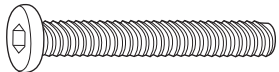
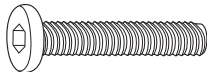
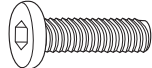
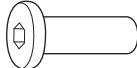
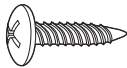




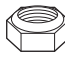


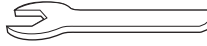


11 Ladder step x 4
($32 \times 3 \times 1.5\text{cm}$)

Components - Fittings

Please check you have all the fittings listed below

Note: The quantities below are the correct amount to complete the assembly. In some cases more fittings may be supplied than are required.

A  M6 x 70mm Bolt x 7	B  M8 x 55mm Bolt x 15	C  M6 x 40mm Bolt x 13
D  M6 x 15mm Bolt x 8	E  Bolt Nut x 5	F  Screw x 4
G  M8 Curved washer x 15	H  M6 Curved washer x 8	I  Flat washer x 8
J  Spring washer x 8	K  Lock nut x 7	L  Wall strap x 1
M  Allen key x 2	N  Spanner x 1	

Tools required

 Crosshead screwdriver

Ruler - Use this ruler to help correctly identify the screws



Assembly Instructions

Step 1

Assembling end panels

Lay all parts flat on a soft surface on the floor to avoid damaging any of the parts.

a: Identify the correct posts for assembly then insert top tube of lower side safety rail **4** into end posts **1** and front right-hand end post **2** & secure the bottom rail using washers **H** and bolts **A**.



Important:

Fasten bolts using allen key **M** but do not fully tighten at this stage.

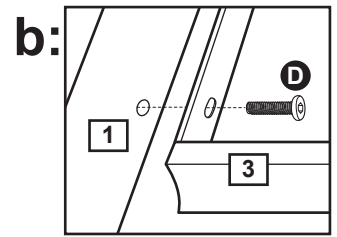
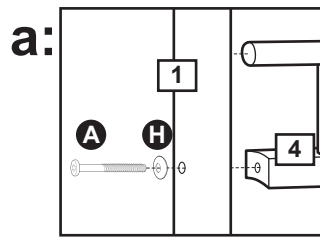
b: Attach the upper side safety rail **3** into position & secure using bolts **D**.



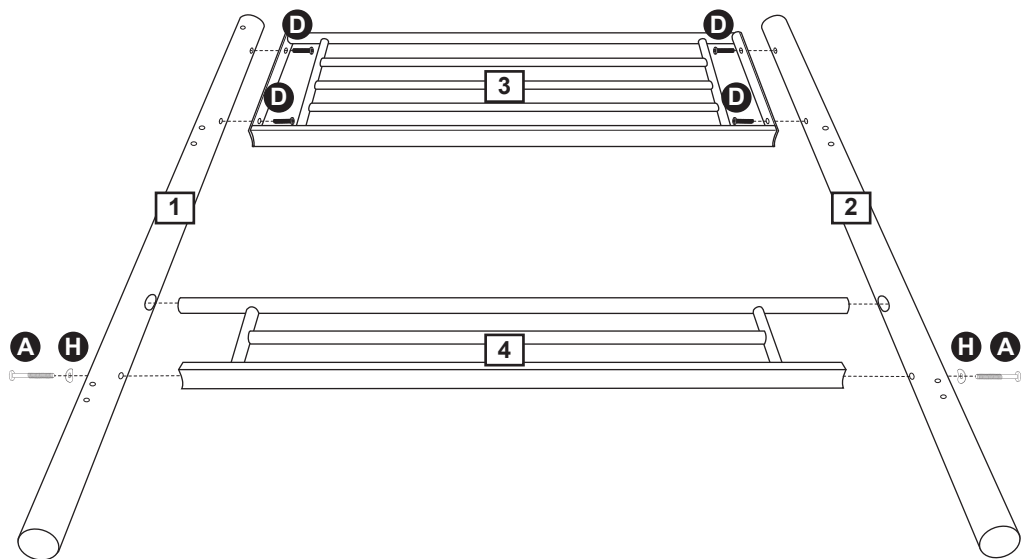
Important:

After all bolts are positioned, fully tighten all bolts using allen key **M**.

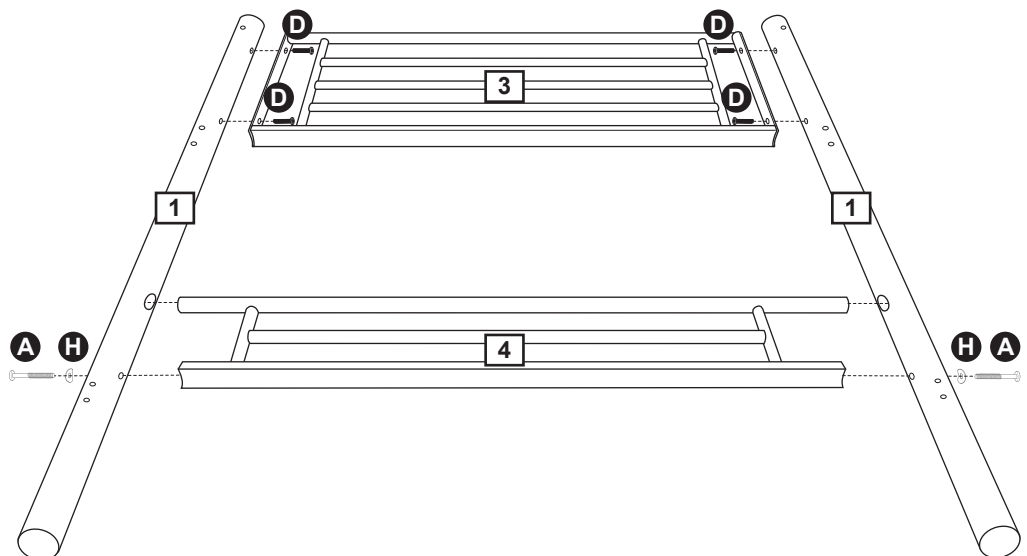
Repeat above steps to assemble the left-hand end panel.



RIGHT-HAND END PANEL



LEFT-HAND END PANEL



Assembly Instructions

Step 2

Attaching rails

a: Identify the correct rails for assembly & with the help of an assistant attach the upper rails **7** & **8** to end posts using bolts **A** and washers **H**.



Important:

Fasten bolts using allen key **M** but do not fully tighten at this stage.

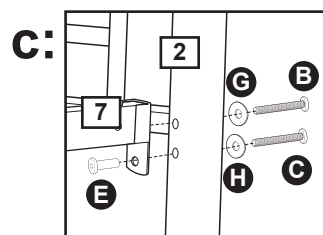
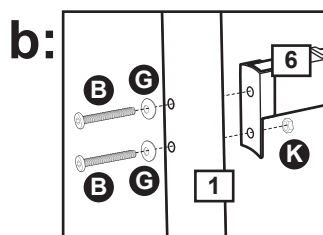
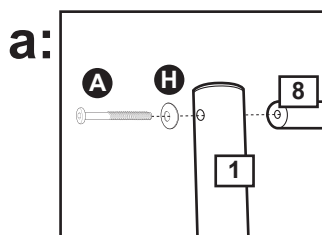
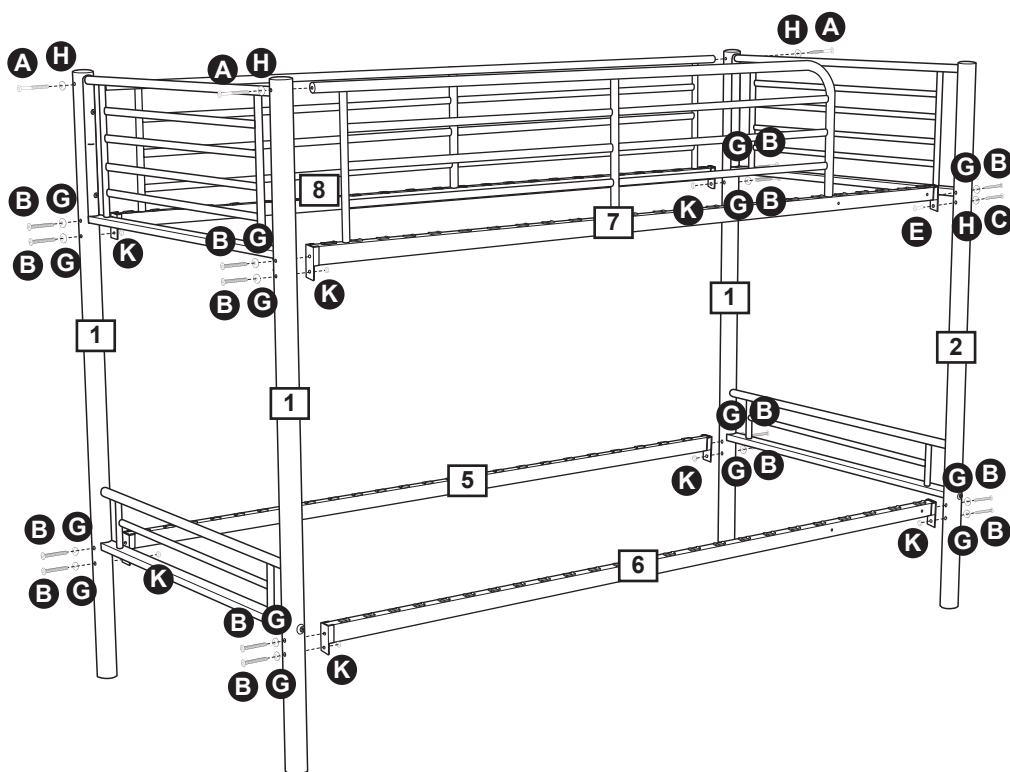
b: Attach the two lower rails **5** & **6** and bottom rails of safety rails **7** & **8** to end posts using bolts **B**, washers **G** and nuts **K**.

c: Fix the right edge of upper front safety rail **7** using bolts **B** & **C**, washers **G** & **H** and bolt nut **E**.



Important:

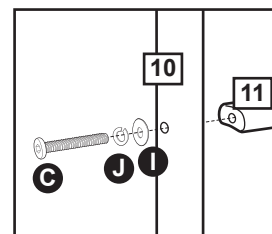
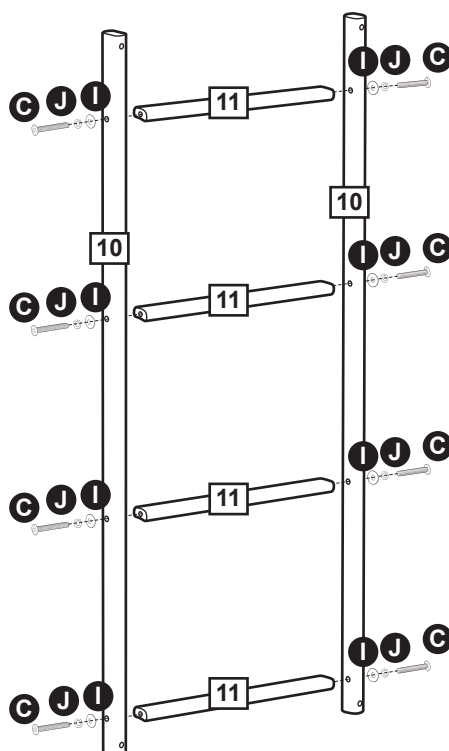
After all bolts are positioned, fully tighten all bolts using allen key **M** and spanner **N**.



Step 3

Assembling ladder

Referring to diagram, attach the ladder steps **11** to ladder side rails **10** using bolts **C**, spring washers **J** & flat washers **I**. Tighten all bolts using allen key **M**.



Assembly Instructions

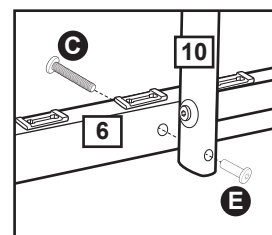
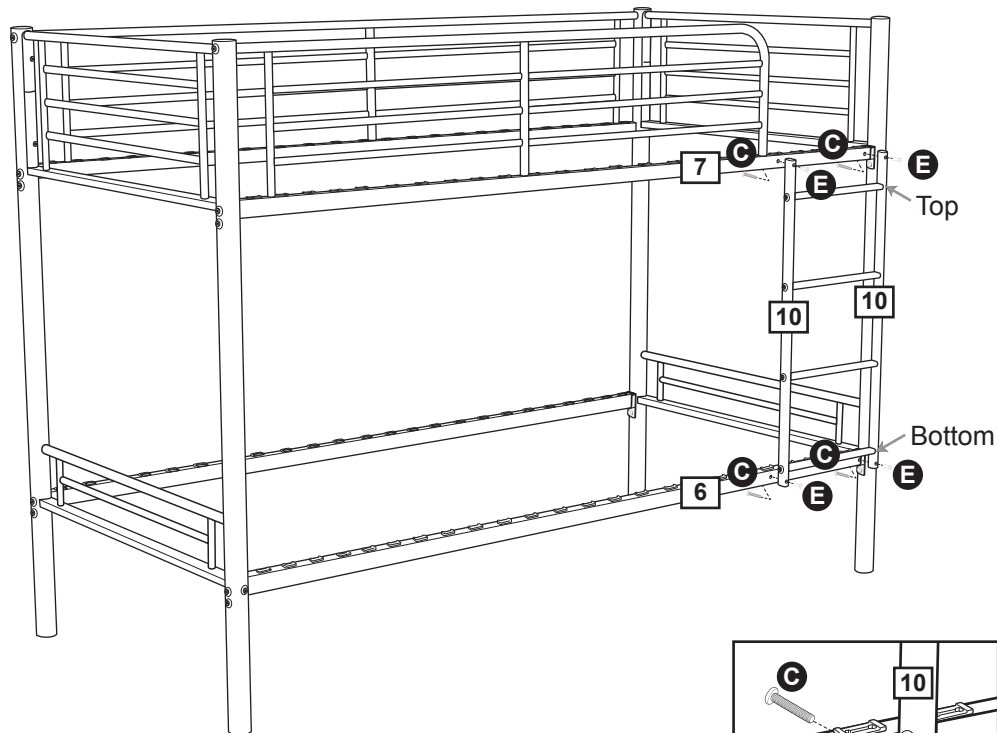
Step 4

Attaching ladder

Attach the ladder to the upper front safety rail **7** and lower front rail **6** using bolts **C** and bolt nuts **E** as shown. Tighten bolts using allen key **M**.



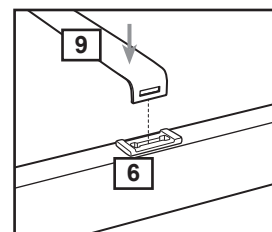
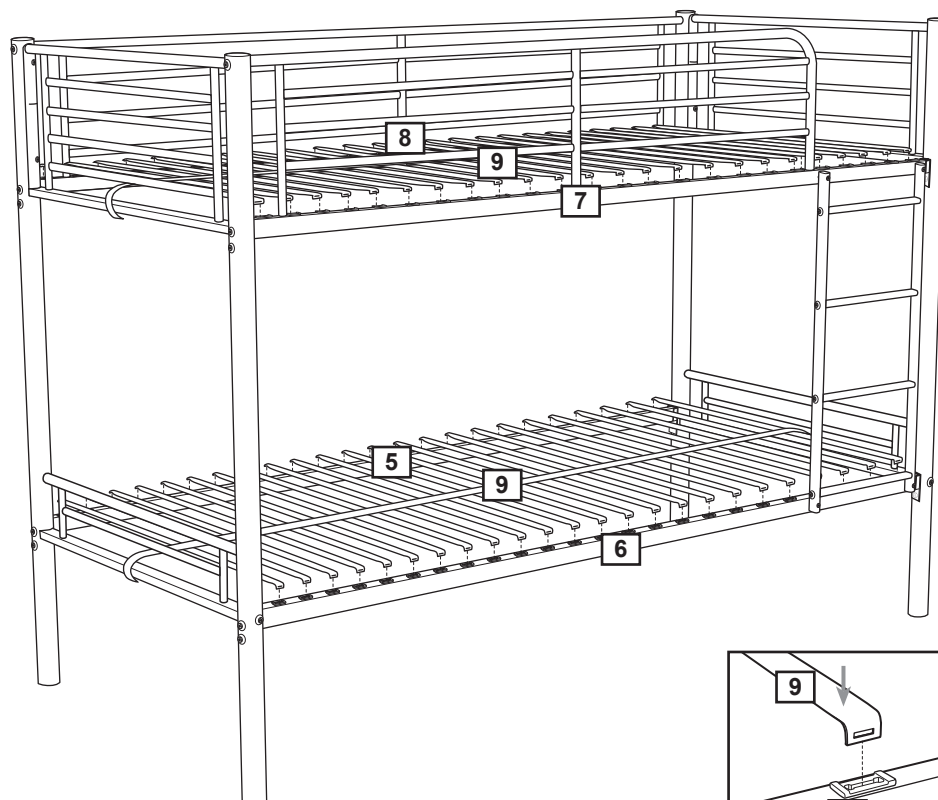
Important: Make sure to correctly position the top & bottom of ladder steps as shown in the diagram



Step 5

Attaching slats

With the help of an assistant, correctly line up the slats **9** onto upper **7**, **8** and lower rails **5** & **6**. Push firmly down to lock it into position. Check that they cannot be removed by slightly pulling upwards.

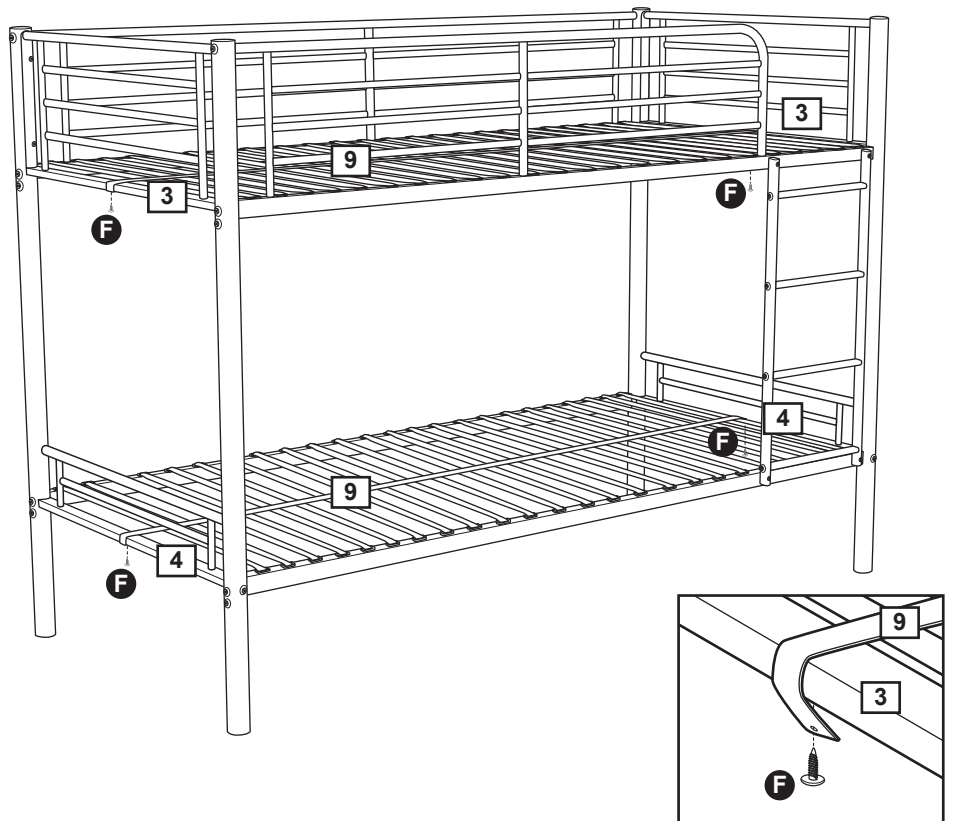


Assembly Instructions

Step 6

Securing slats

Extend the end of the webbing on the slats **9** and secure to bottom edge of side safety rails **3** & **4** using screws **F**. Tighten screws using a crosshead screwdriver.



Step 7

Fixing to wall

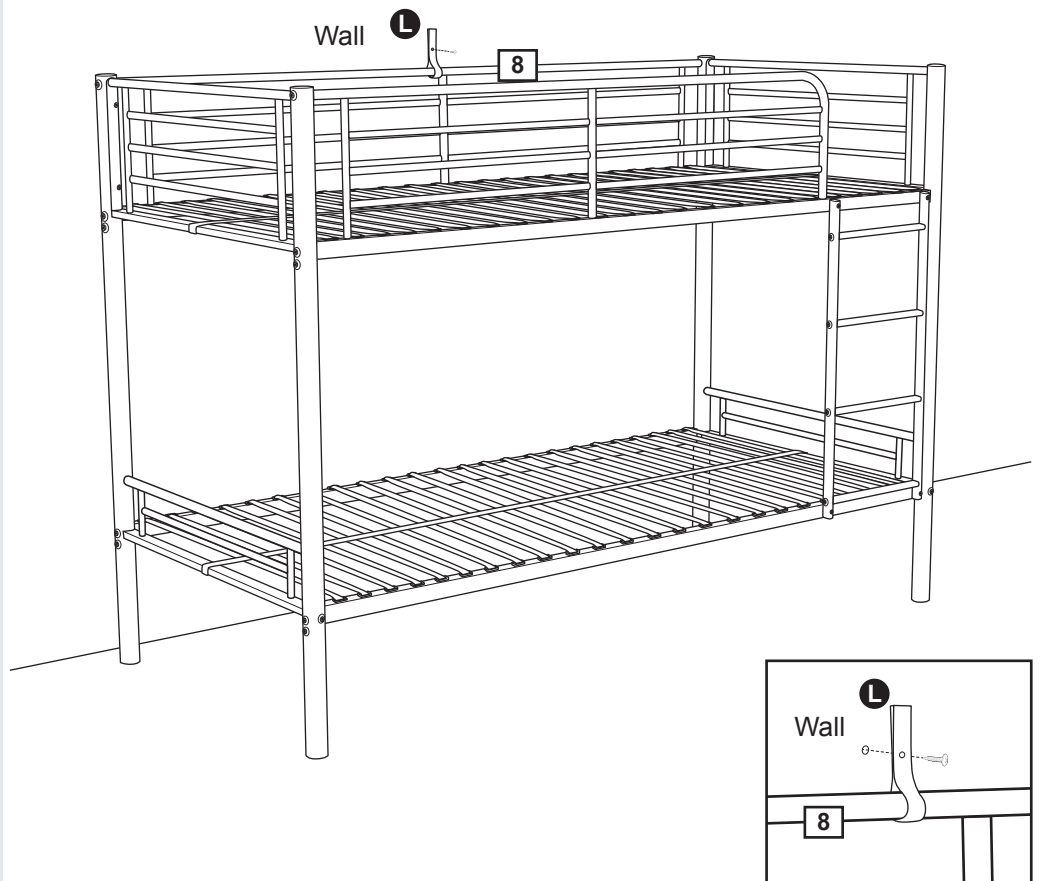
This unit must be fixed to a wall.

Move the bunk bed into position on the wall. Position the wall strap **L** to the top post of upper back safety rail **8** to mark fixing holes on the wall. Remove the wall strap then drill holes and insert appropriate wall plugs. Reposition wall strap **L** & fix using appropriate screws.



Warning: Before drilling, check wall for hidden pipes and cables. Consult a qualified specialist if unsure.

Assembly is complete.



If you need help or have damaged or missing parts, call the **Customer Helpline: 08456 400800**

Samuel Bunk Bed

Assembly Instructions - Please keep for future reference

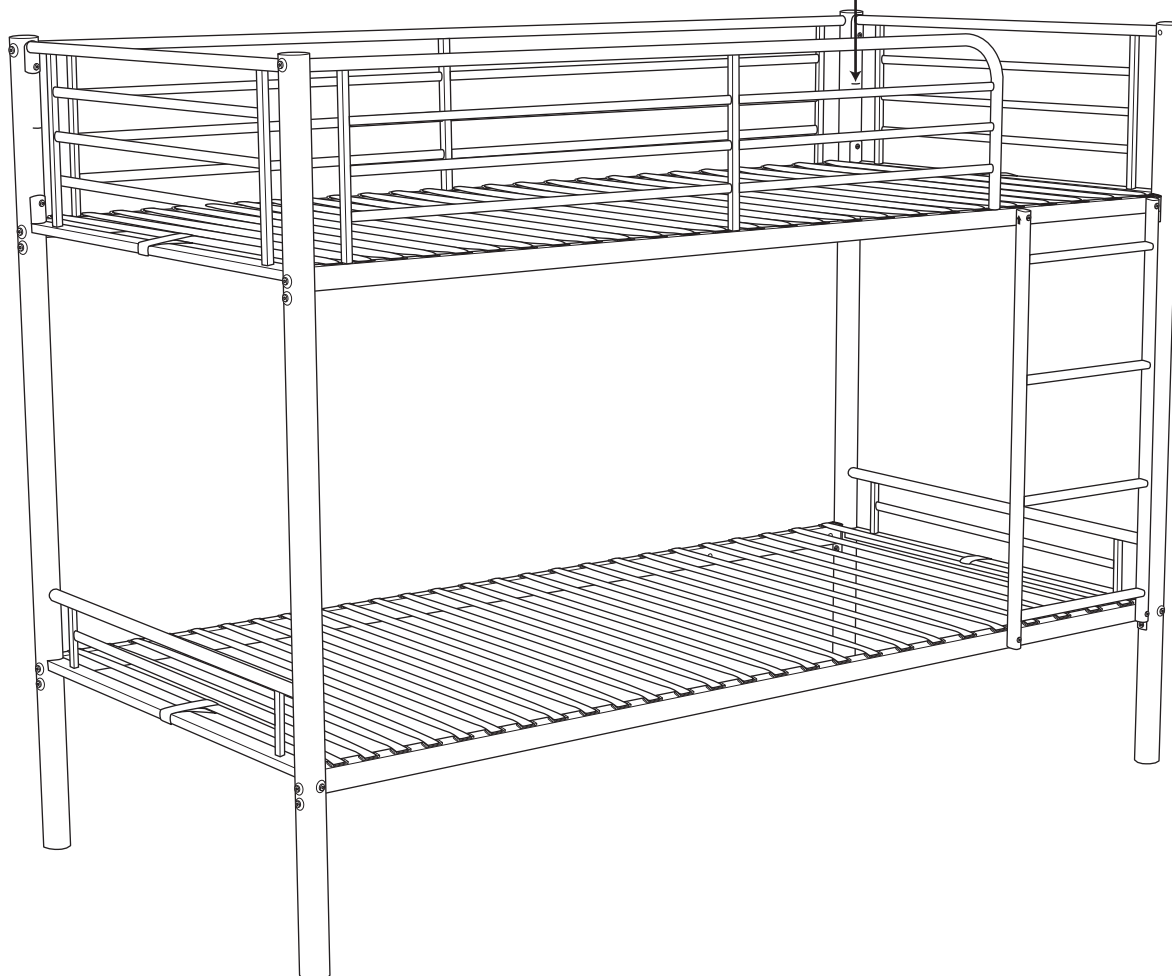
183/4842

173/5707

184/7877

IMPORTANT NOTE:

The top surface of the mattress should not come above this line.



Dimensions

Width - 198cm

Depth - 96.5cm

Height - 160cm



IMPORTANT NOTE:

Do not fully tighten all bolts until all parts of the bed are assembled.

Important - Please read these instructions fully before starting assembly

If you need help or have damaged or missing parts, call the **Customer Helpline:**
Argos = 0345 640 0800



Safety and Care Advice

Important - Please read these instructions fully before starting assembly

- Check you have all the components and tools listed on the following pages.
- Remove all fittings from the plastic bags and separate them into their groups.
- Keep children and animals away from the work area, small parts could choke if swallowed.
- Make sure you have enough space to layout the parts before starting.

- During assembly do not stand or put weight on the product, this could cause damage.
- Assemble the item as close to its final position (in the same room) as possible.
- Assemble on a soft level surface to avoid damaging the unit or your floor.
- Parts of the assembly will be easier with 2 people.



• To reduce the likelihood of damaging your product please ensure that your power drill is set on a low torque setting.

- Unit weight: 38kgs.

Warnings

• **READ CAREFULLY - RETAIN FOR FUTURE REFERENCE**

- Regularly check and ensure that all bolts and fittings are tightened properly.
- Always use the ladder for entering and leaving the upper bunk.
- The recommended mattress size is L1900 x W910 mm.
- Ensure thickness of mattress does not exceed 175 mm.
- Refrain from using the bunk bed if any structural part is broken or missing.
- Please prohibit more than one person on the upper bunk.
- Please advise your children to only enter and leave the upper bunk by using the ladder.
- Please prohibit children from jumping on the upper and lower beds.
- **WARNING:** Children can become trapped between the bed and the wall. To avoid risk of serious injury the distance between the top safety barrier and the wall shall not exceed 75mm or shall be more than 230mm.
- **WARNING:** Do not allow children under 6 years of age to use the upper bunk due to risk of injury and falls.
- **STRANGULATION HAZARD -** Never attach or hang items such as ropes, strings, cords, harnesses and belts to any part of the bunk bed.
- **THIS BED COMPLIES WITH EN747-1:2012 / EN747-2:2012**

Manufacturer: BL Packaging Co. Ltd.

Care and maintenance

- Only clean using a damp cloth and mild detergent, do not use bleach or abrasive cleaners.
- From time to time check that there are no loose screws on this unit.
- This product should not be discarded with household waste. Take to your local authority waste disposal centre.

Handy Hints

- Assemble all parts and bolts loosely during assembly, only once the product is complete should you fully tighten the bolts.
- Regularly check and ensure that all bolts and fittings are tightened properly.

Note: if required the next page can be cut out and used as reference throughout the assembly. Keep this page with these instructions for future reference.

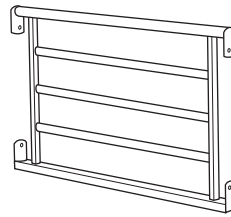
Components - Parts

If you have damaged or missing components, call the
Customer Helpline: Argos = 0345 640 0800

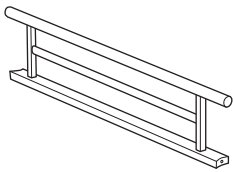
Please check you have all the parts listed below



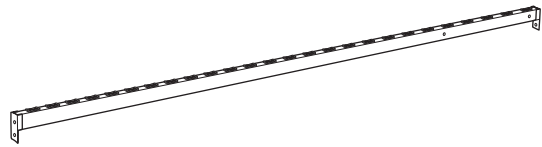
1 End post x 4
($\text{Ø}4.5 \times 160\text{cm}$)



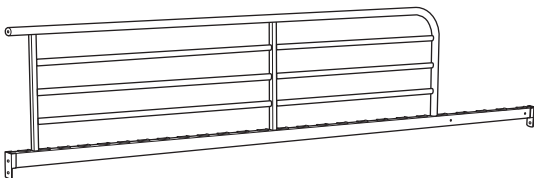
2 Upper side safety rail x 2
($89 \times 35.5 \times 3.5\text{cm}$)



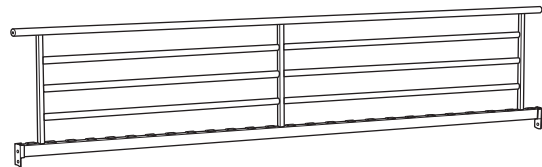
3 Lower side rail x 2
($91 \times 18.5 \times 3\text{cm}$)



4 Lower rail x 2
($190 \times 7 \times 2.5\text{cm}$)



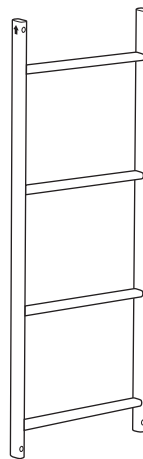
5 Upper front safety rail
($190 \times 41.5 \times 2.5\text{cm}$)



6 Upper back safety rail
($190 \times 41.5 \times 2.5\text{cm}$)



7 Slat x 52
($92.5 \times 2.5 \times 3\text{cm}$)

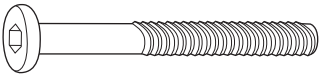
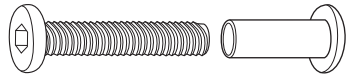
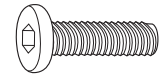
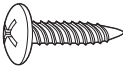







8 Ladder
($93.5 \times 34.5 \times 3\text{cm}$)

Components - Fittings

Please check you have all the fittings listed below

Note: The quantities below are the correct amount to complete the assembly. In some cases more fittings may be supplied than are required.

A  M6 x 65mm Bolt x 15	B  M6 x 40mm Bolt & Nut x 12	C  M6 x 20mm Bolt x 8
D  Screw x 4	E  Curved washer x 31	F  Spring washer x 31
G  Strap x 5	H  Plastic Cap x 6	I  Allen key x 2

Tools required

 Crosshead screwdriver

Ruler - Use this ruler to help correctly identify the screws



Friendly Tips

- Do not fully tighten all bolts until all parts of the bed are assembled.
- Assemble lower rails to headboard & footboard (end panels) first, followed by the upper safety rails.
- One person must hold on the rails while another person is assembling it and fitting bolts to end posts.
- When assembling slats, make sure it is aligned to the holes on the upper and lower rails before pushing it firmly down.
- After all the parts are positioned, you can fully tighten all bolts.

Assembly Instructions

Step 1

Assembling end panels

Position end posts **1**, upper side safety rails **2** and lower side rails **3** as shown.



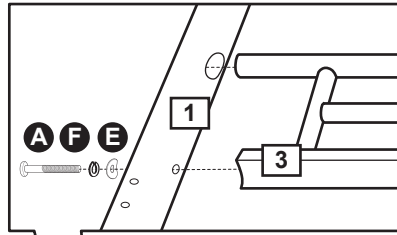
Ensure to position the rails with middle holes on the bottom as shown.

a: Attach lower side rail **3** into holes on end posts **1** and fix using washers **E** & **F** and bolts **A**. Fasten bolts using allen key **1** but **do not fully tighten at this stage**.

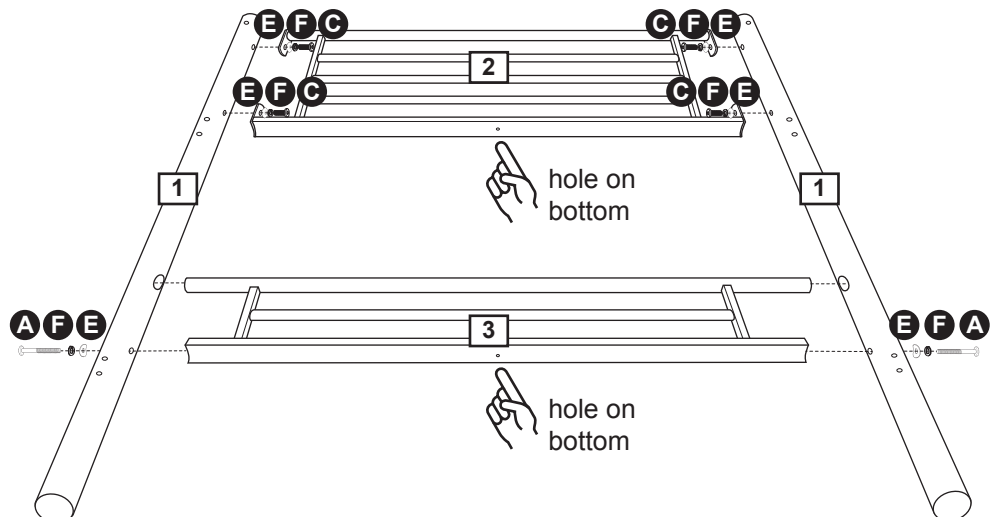
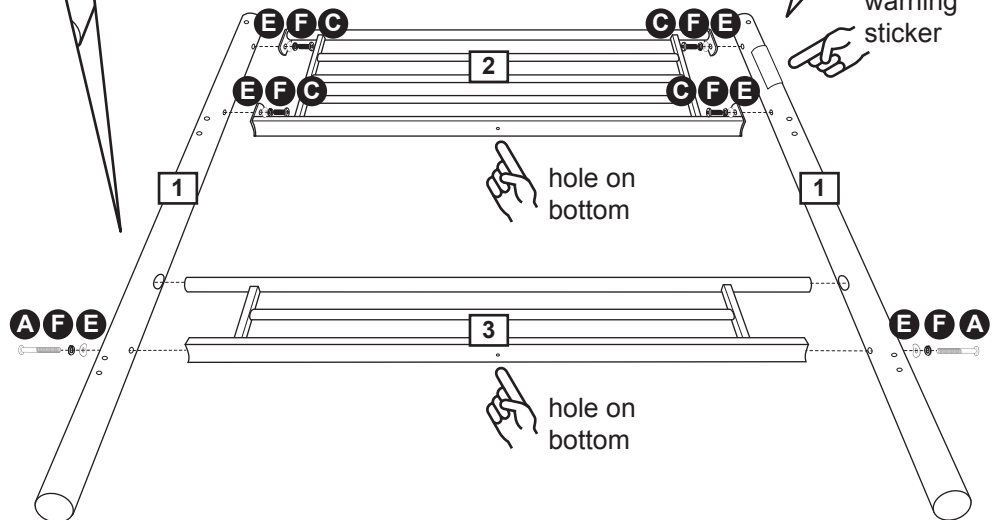
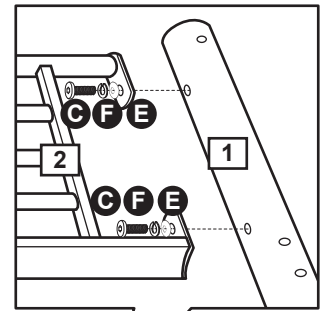
b: Attach upper side safety rail **2** to end posts & fix using washers **E** & **F** and bolts **C**. Fasten bolts using allen key **1** but **do not fully tighten at this stage**.

Repeat above steps to assemble the other end panel.

a:



b:



Important note: Do not fully tighten bolts at this stage.

Assembly Instructions

Step 2

Assembling lower rails



Important note:

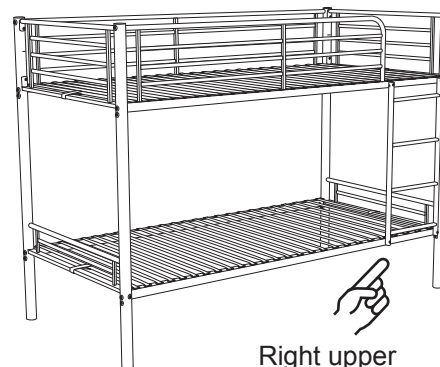
Determine your preferred upper bunk bed entry (left or right).



Ensure to position holes (for ladder assembly) on the lower rails **4** according to your preferred upper bunk bed entry as shown.

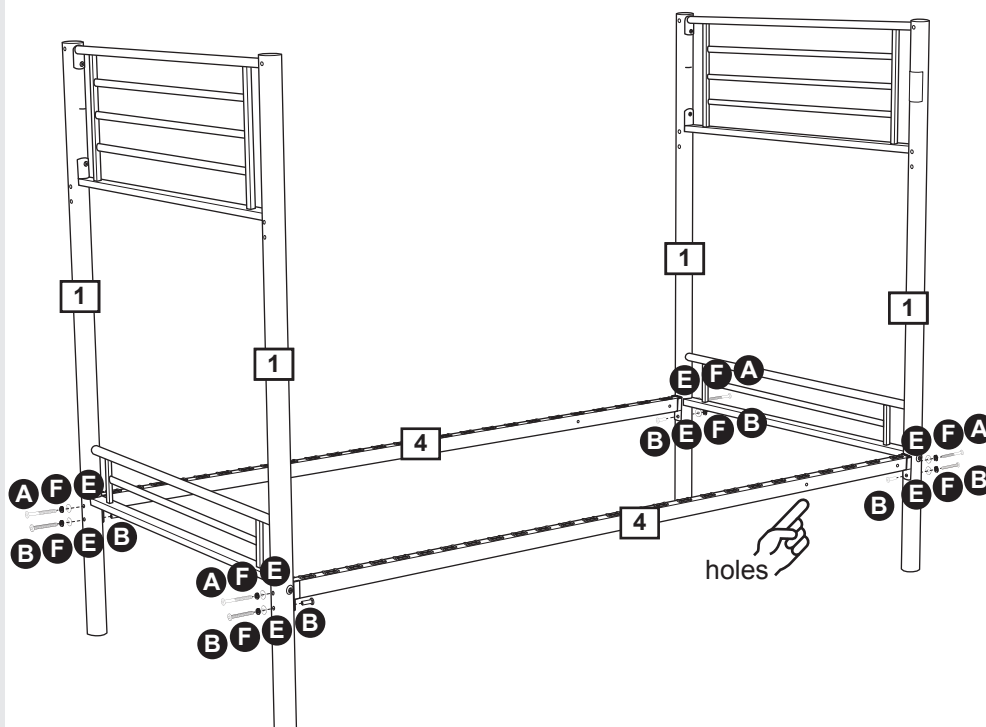
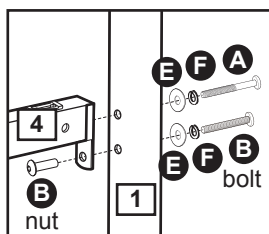


Left upper bunk entry



Right upper bunk entry

With the help of an assistant position lower rails **4** to end panels as shown and fix to end posts **1** using bolts **A**, bolts & nuts **B** and washers **E** & **F**. Fasten bolts & nuts using allen keys **I** but **do not fully tighten at this stage**.




Important note: Do not fully tighten bolts at this stage.

Assembly Instructions

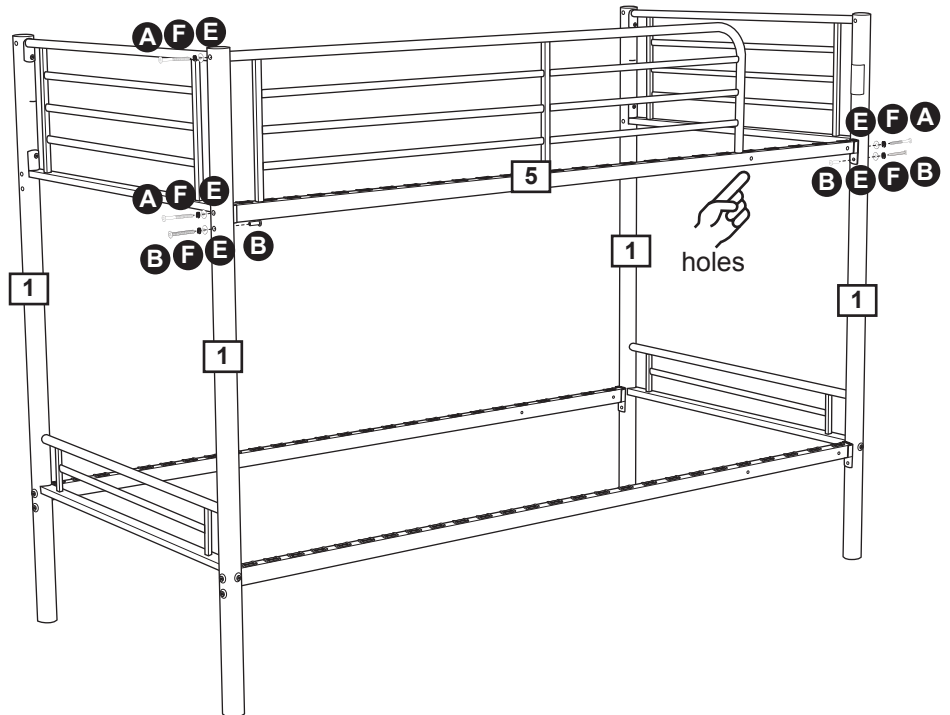
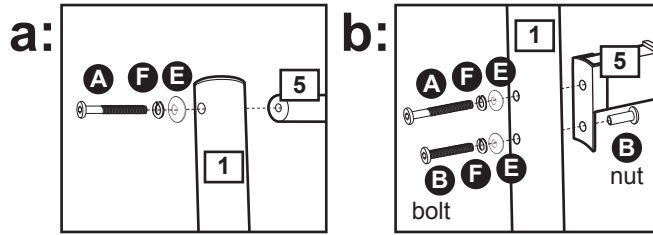
Step 3

Assembling upper front safety rail

 Ensure to position holes (for ladder assembly) on the upper front safety rail **5** according to your preferred upper bunk bed entry as shown.

a: With the help of an assistant, attach upper front safety rail **5** to end post **1** using bolts **A** & washers **E** & **F**. Fasten bolts using allen key **1** but **do not fully tighten at this stage**.

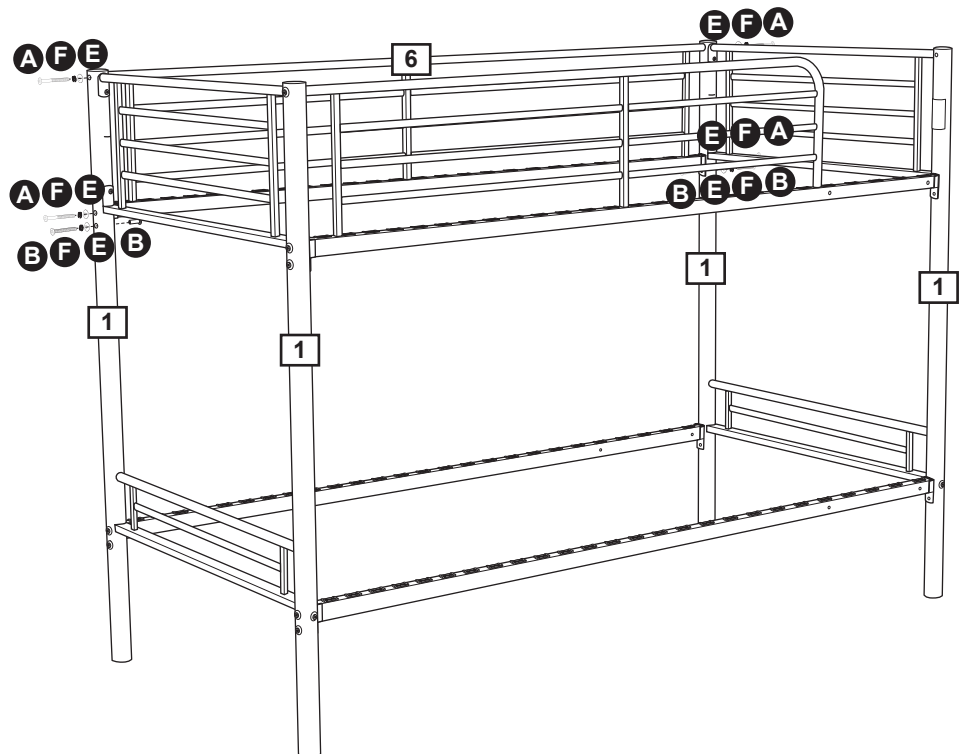
b: Attach upper front safety rail **5** to end post **1** using bolts **A**, bolt & nuts **B** and washers **E** & **F**. Fasten bolts & nuts using allen keys **1** but **do not fully tighten at this stage**.



Step 4

Assembling upper back safety rail

Repeat step 3 to assemble the upper back safety rail **6** to left-hand and right-hand end panel as shown.



Important note: Do not fully tighten bolts at this stage.

Assembly Instructions

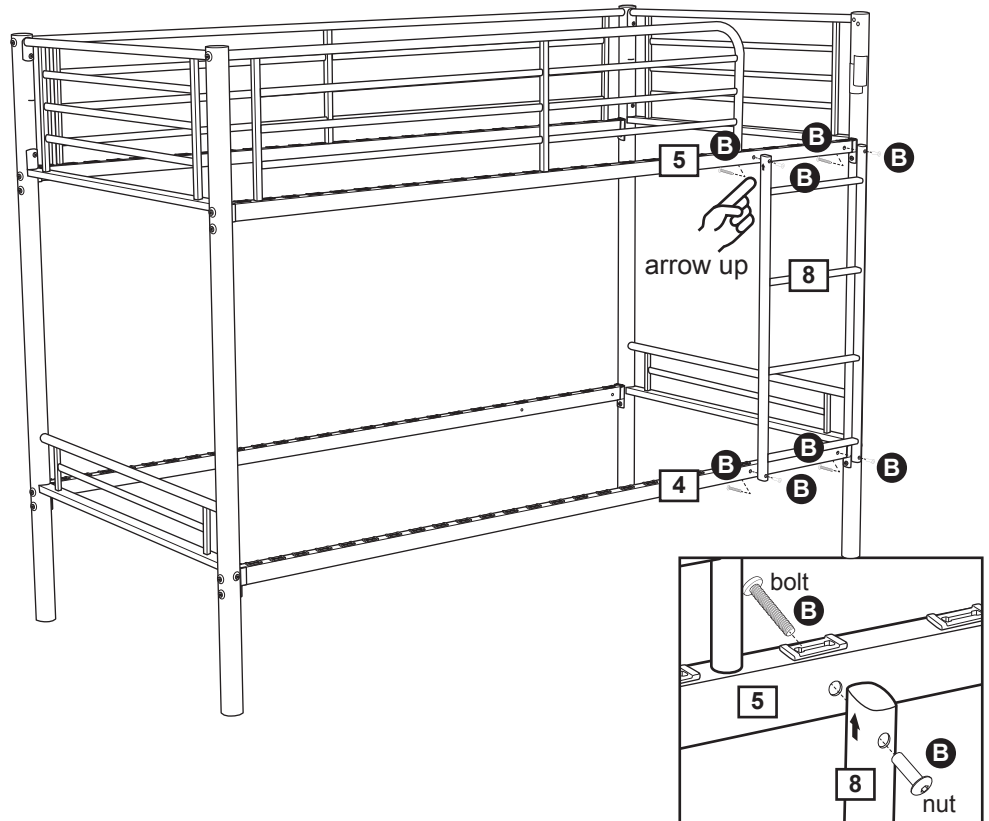
Step 5

Assembling ladder



Important note: Make sure to correctly position the ladder. The arrow sticker on the top edge must be positioned at the top rail as shown.

Attach the ladder **8** to upper front safety rail **5** & lower rail **4** and fix using bolts and nuts **B** as shown. Fasten bolts using allen keys **I** but **do not fully tighten at this stage.**



Important note: Do not fully tighten bolts at this stage.

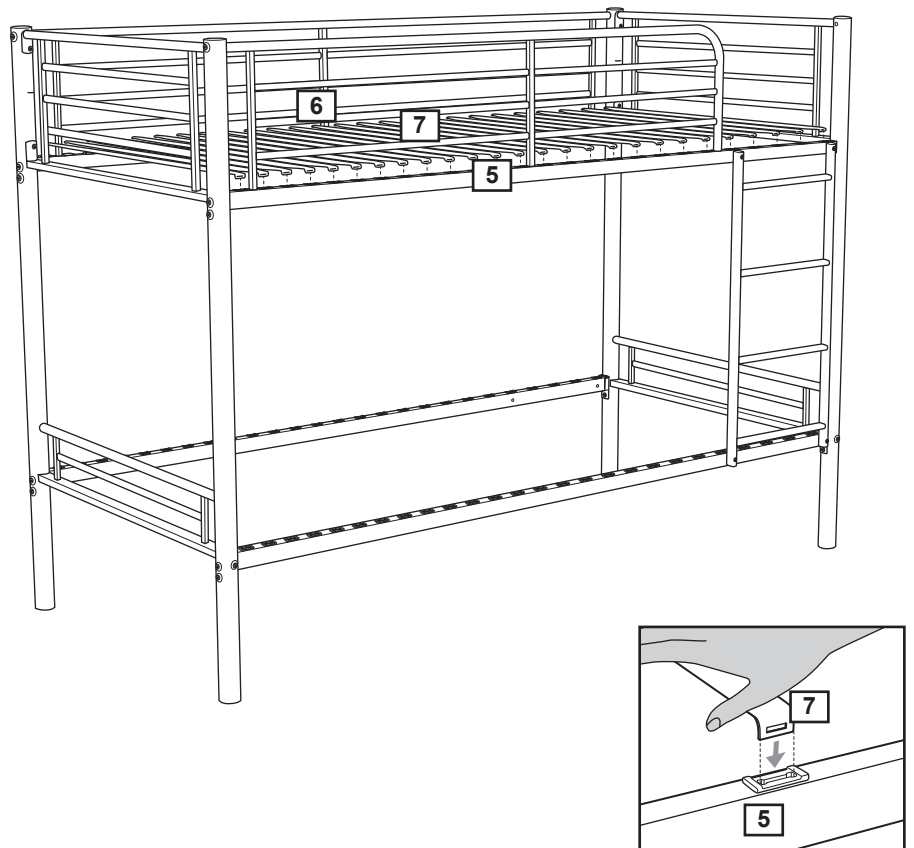
Step 6

Assembling upper slats

Insert slats **7** into holes on upper safety rails **5** & **6**. Lock it into position by pushing firmly down with your hand.



Note: Make sure the slat is aligned to the hole before pushing it firmly down.



Assembly Instructions

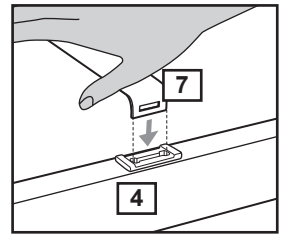
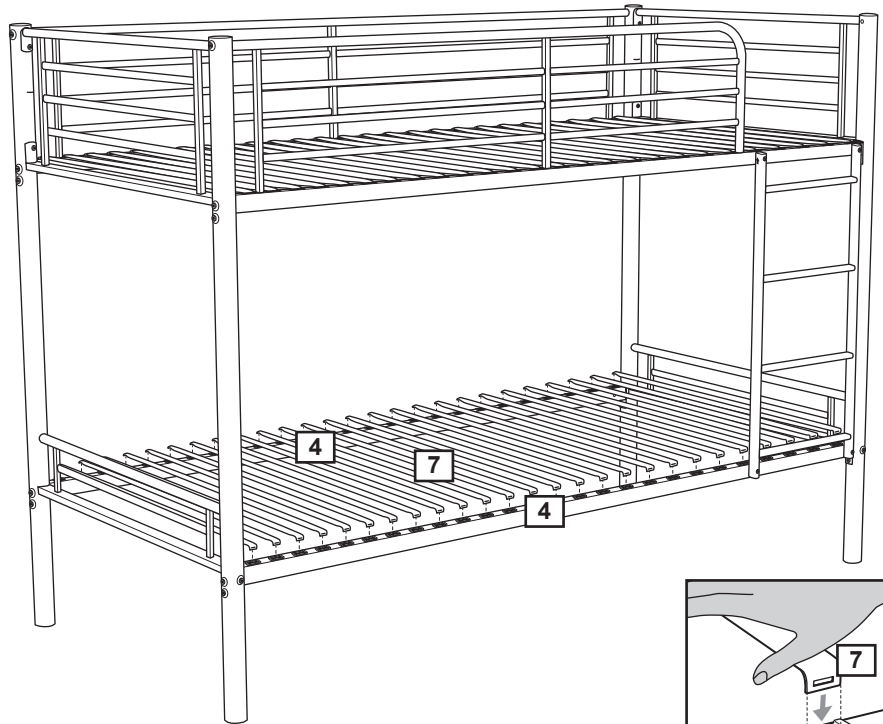
Step 7

Assembling lower slats

Insert slats **7** into holes on lower rails **4**. Lock it into position by pushing firmly down with your hand.



Note: Make sure the slat is aligned to the hole before pushing it firmly down.

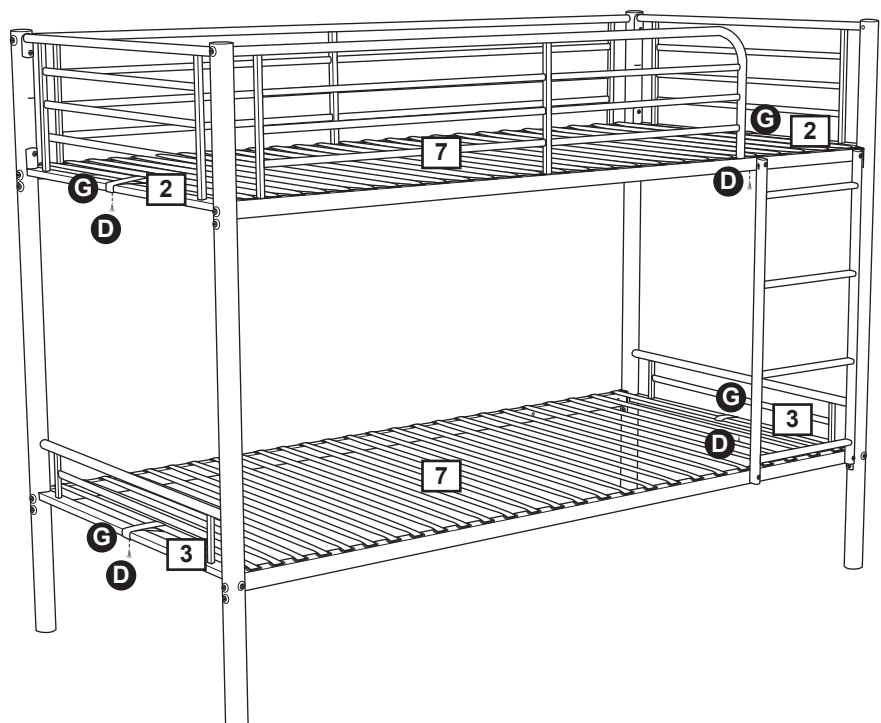
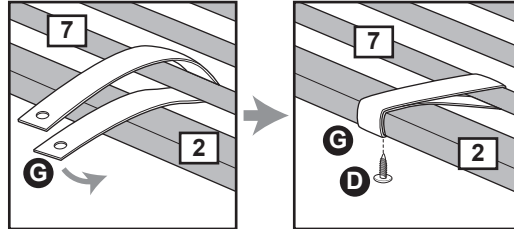


Step 8

Securing slats

Attach straps **G** around end slats **7** and bottom tube of upper side safety rails **2** as shown and fix through holes using screws **D**. Tighten screws using a crosshead screwdriver.

Repeat above steps to attach other straps to lower side rails **3.**

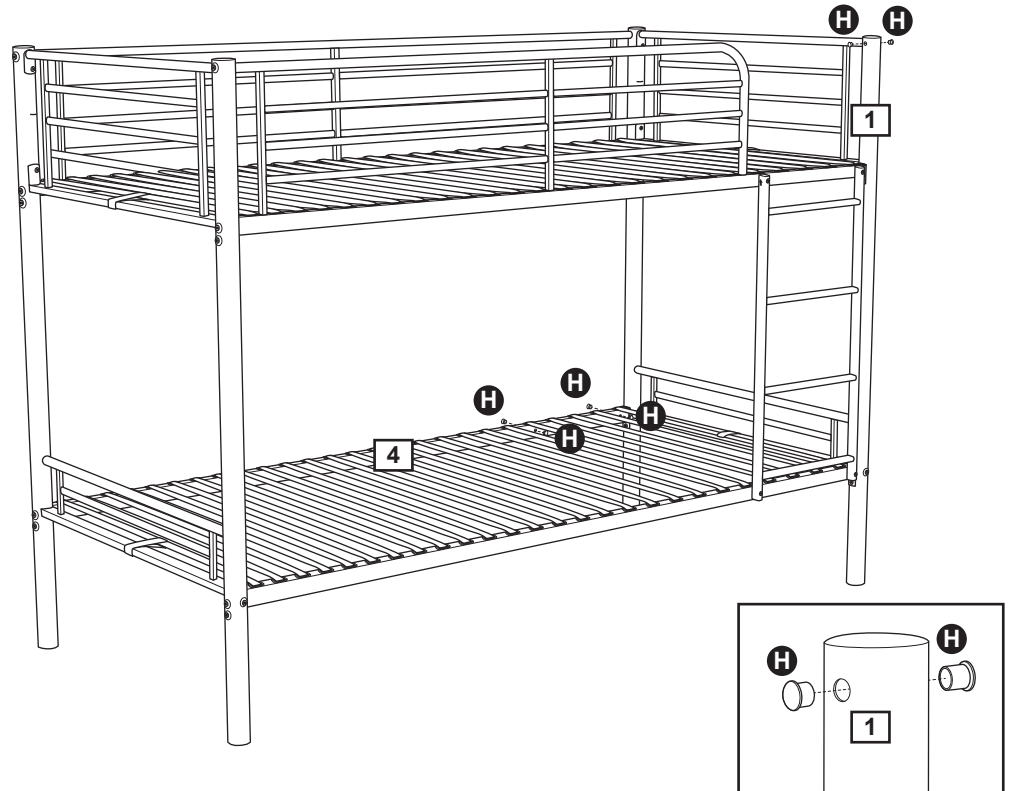


Assembly Instructions

Step 9

Filling holes

Insert plastic caps **H** into holes on the top of end post **1** and lower rail **4** as shown.



Step 10

Fixing to wall

This unit must be fixed to a wall.

Move the bunk bed into position on the wall. Position the strap **G** to top post of upper back safety rail **6** to mark fixing holes on the wall. Remove the wall strap then drill holes and insert appropriate wall plugs. Reposition strap and fix using appropriate screws for the wall.



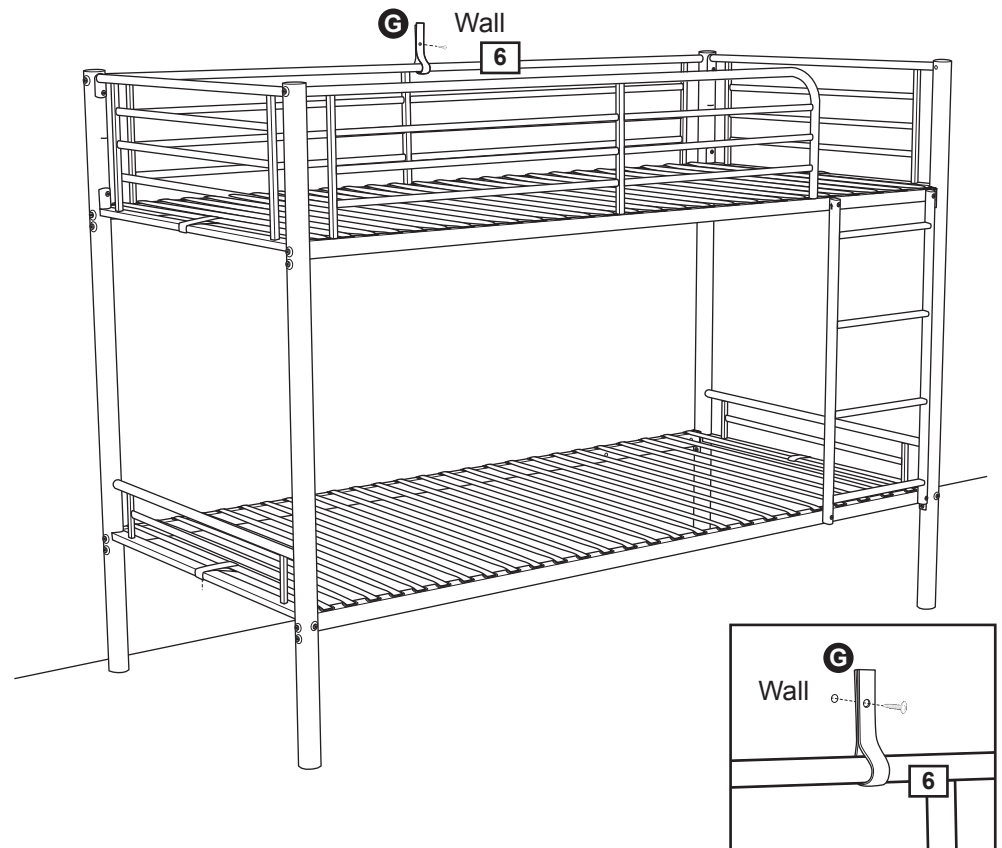
Warning:

Before drilling, check wall for hidden pipes and cables. Consult a qualified specialist if unsure.

Assembly is complete.



Important note: After all the parts are positioned, you can now fully tighten all bolts fixed on previous steps.



If you need help or have damaged or missing parts, call the **Customer Helpline:**
Argos = 0345 640 0800

A Guide to - Wall Mounting & Fixings

Important note:

If plastic wall plugs are supplied with your product:



- these are only suitable for use in masonry walls.

If you are in any doubt about the correct wall plugs for your wall, seek professional advice.


Failure of the product due to using incorrect fixings is the responsibility of the installer.



Important: When drilling into walls always check that there are no hidden wires or pipes etc.

Make sure that the screws and wall plugs being used are suitable for supporting your unit. Consult a qualified tradesperson if you are unsure.

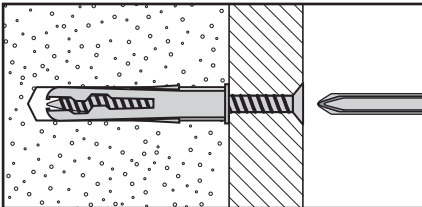
Hints:

- 1: **General rule:**  Always use a larger screw and wall plug if you are not sure.
- 2: Ensure you use the recommended drill bit to match the wall plug and hole size.
- 3: Ensure you drill the hole horizontally, do not force the drill or enlarge the hole.
- 4: Take extra care when drilling high walls, ceilings and ceramic tiles. Ensure wall plugs are inserted beyond the thickness of the ceramic tiles to avoid the tiles splitting or cracking.
- 5: Ensure wall plugs are well fitted and are a tight fit in the drilled hole.

Types of walls

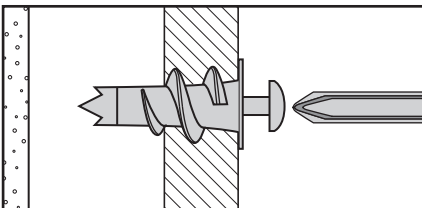
You can use one of the following types of wall plug if your walls are made of brick, breeze block, concrete, stone or wood.

No.1 "General Purpose" wall plug



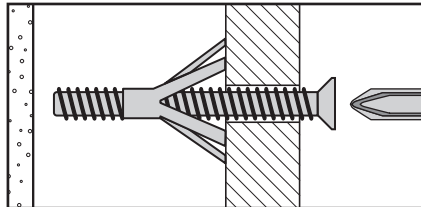
Generally aerated blocks should not be used to support heavy loads, use a specialist fitting in this case. For light loads, general purpose wall plugs can be used.

No.2 "Plasterboard" wall plug



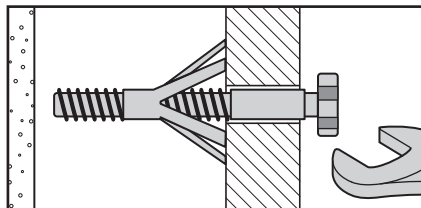
For use when attaching light loads on to plasterboard partitions.

No.3 "Cavity Fixing" wall plug



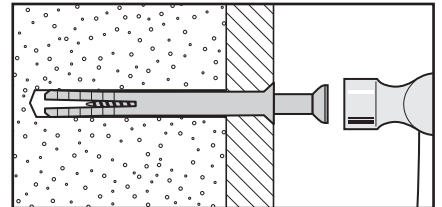
For use with plasterboard partitions or hollow wooden doors.

No.4 "Cavity Fixing-Heavy Duty" wall plug



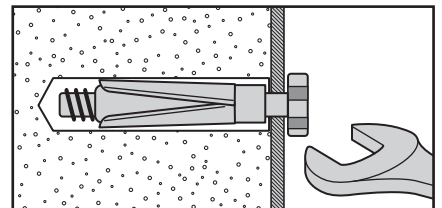
For use when fitting or supporting heavy loads such as shelving, wall cabinets and coat racks.

No.5 "Hammer Fixing" wall plug



For use with walls stuck with plasterboard. The hammer fixing allows it to be fixed to the wall rather than the plasterboard. Always check the fixing is secure to the retaining wall.

No.6 "Shield Anchor" wall plug Heavy loads



For use with heavier loads such as TV & HiFi speakers and satellite dishes etc.



Care & Maintenance

Safety: Always check the fitting and location to ensure your safety in and around the home.

Fitting: From time to time check the fitting to ensure the wall plugs or screws do not become loose.