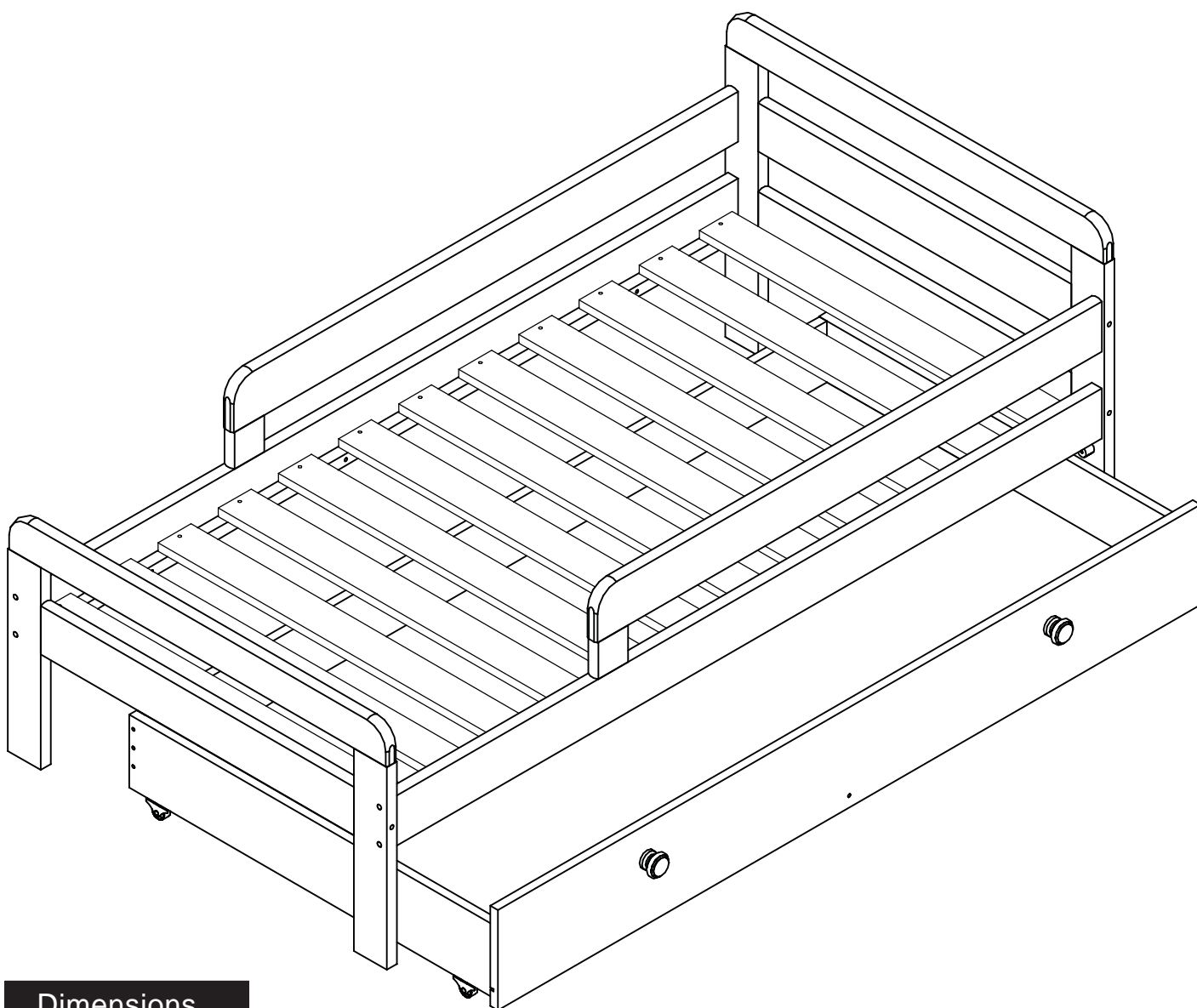


White Toddler bed - 140x70cm

Assembly Instructions - Please keep for future reference

1873834



Dimensions

Length - 144cm

Depth - 75cm

Height - 57cm

Weight - 20kg

Important – Please read these instructions fully before starting assembly

If you need help or have damaged or missing parts, call the **Customer Helpline:**

0045 7668 8055 or e-mail: order@flexa.dk



Safety and Care Advice

Important – Please read these instructions fully before starting assembly

80-12904-20 Toddler bed

IMPORTANT! KEEP FOR FUTURE REFERENCE

PLEASE DISPOSE OF PACKAGING MATERIAL.
PLASTIC BAGS CAN BE DANGEROUS TO YOUNG CHILDREN

WARNING! This bed is suitable for a child from 18 months to 4 years.

WARNING! Do not place this child's bed near heat sources, windows and other furniture.

WARNING! Do not use this child's bed if any of the parts are broken, torn or missing.

WARNING! Once assembled, this bed must not be disassembled. Screws must not be removed once inserted.

This child's bed is to be used with a 1400mm x 700mm mattress.

All assembly fixings should be checked periodically and re-tightened where necessary.

Children are likely to play, bounce, jump and climb on beds, therefore the child's bed should not be placed too close to other furniture or windows, blind cords, curtain pulls or other strings or cords, and should be placed either tight to any wall or have a gap of 300mm between the wall and the side of the bed.

Any additional or replacement parts should only be obtained from the manufacturer or distributor.

This product complies to standard BS8509: 2008+A1:2011

WARNING

**YOUR CHILDREN'S SAFETY
IS YOUR RESPONSIBILITY**

CARE AND MAINTENANCE

To clean use a damp cloth, avoiding the use of strong detergents or abrasives.



Safety and Care Advice

Important – Please read these instructions fully before starting assembly

- Check you have all the components and tools listed on pages 2 and 3.
- Remove all fittings from the plastic bags and separate them into their groups.
- Keep children and animals away from the work area, small parts could choke if swallowed.
- Make sure you have enough space to layout the parts before starting.

- Do not stand or put weight on the product, this could cause damage.
- Assemble the item as close to its final position (in the same room) as possible.
- Assemble on a soft level surface to avoid damaging the unit or your floor.
- Parts of the assembly will be easier with 2 people.



- We do not recommend the use of power drill/drivers **for inserting screws**, as this could damage the unit. Only use hand screwdrivers.
- Dispose of all packaging carefully and responsibly.

Glue safety - Take care when using glue, please follow the advice below

Skin contact: Remove contamination by washing with soap and water. This procedure should also be followed prior to eating and drinking.

Eye contact: Rinse immediately with clean water for 15 minutes and seek medical advice.

If swallowed: Seek medical advice immediately.

Care and maintenance

- Only clean using a damp cloth and mild detergent, do not use bleach or abrasive cleaners.

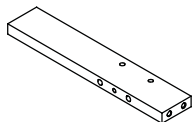
- From time to time check that there are no loose screws on this unit.

- This product should not be discarded with household waste. Take to your local authority waste disposal centre.

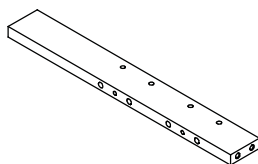
Components - Parts

If you have damaged or missing components,
call the **Customer Helpline: 0045 7668 8055**

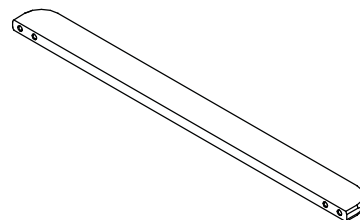
Please check you have all the parts listed below



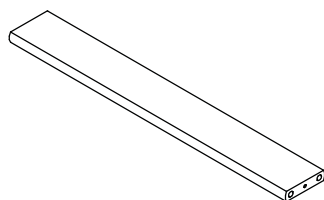
1 Leg short x2
(34.7x6.5x2.0cm)
No. 12-02003472-20



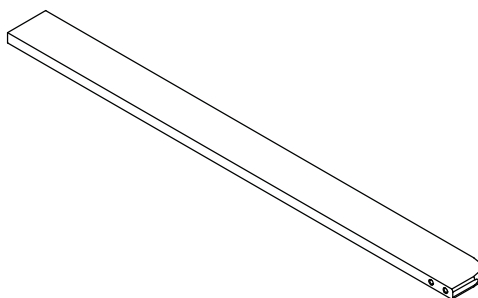
2 Leg long x2
(49.9x6.5x2.0cm)
No. 12-02004991-20



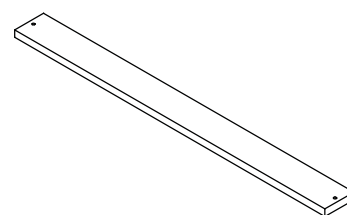
3 Top rail x2
(75x6.5x2.0cm)
No. 12-02007502-20



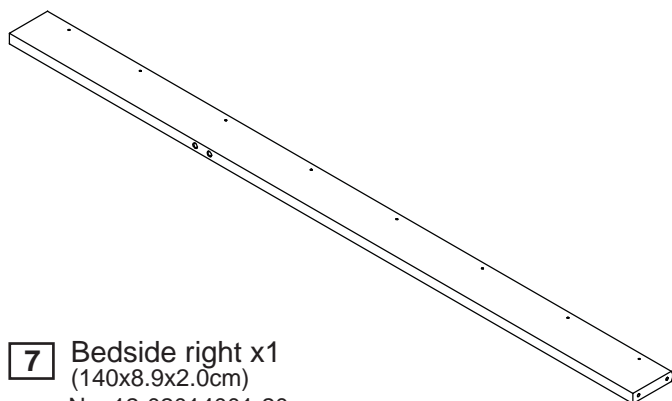
4 End rail x3
(62x8.9x2.0cm)
No. 12-02006201-20



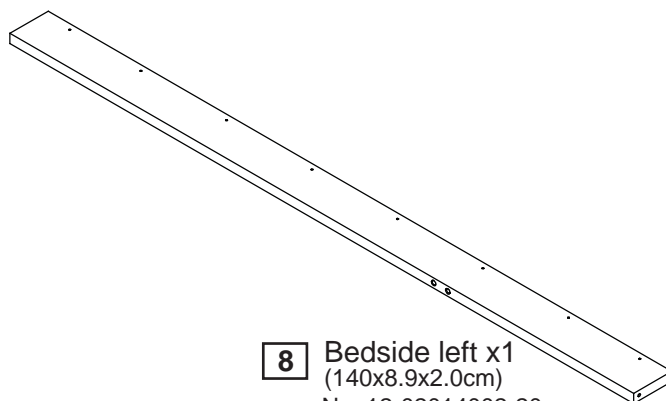
5 Safety rail x2
(100x8.9x2.0cm)
No. 12-02010001-20



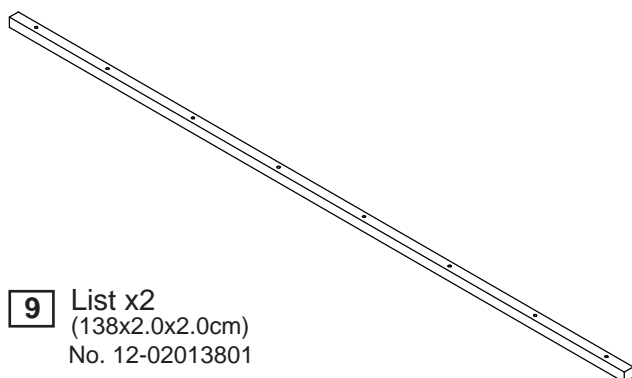
6 Slat x12
(69.7x6.5x1.5cm)
No. 12-01506971



7 Bedside right x1
(140x8.9x2.0cm)
No. 12-02014001-20



8 Bedside left x1
(140x8.9x2.0cm)
No. 12-02014002-20



9 List x2
(138x2.0x2.0cm)
No. 12-02013801

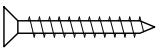
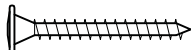


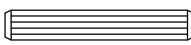

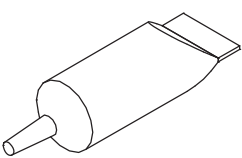



10 Distance piece x2
(6.3x6.5x2.0cm)
No. 12-02000631-20

Components - Fittings

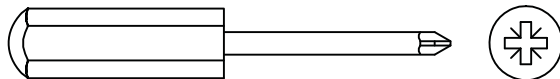
Please check you have all the fittings listed below

Note: The quantities below are the correct amount to complete the assembly. In some cases more fittings may be supplied than are required.

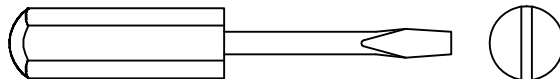
<p>A  No. 3901-40030</p> <p>4,0x30mm Chipboard screw x24</p>	<p>B  No. 3903-40035</p> <p>4,0x35mm Chipboard screw x18</p>	<p>C  No. 3909-631051</p> <p>6,3x105mm Assembly screw x6</p>
<p>D  No. 3930-10045</p> <p>10x45mm Dowel x12</p>	<p>E  No. 3930-08050</p> <p>8x50mm Dowel x16</p>	<p>F  No. 3908-70060</p> <p>7,0x60mm Confirmat screw x12</p>
<p>G  No. 4022-012</p> <p>Glue tube 15 gram x2</p>	<p>H  No. 3940-00016</p> <p>Ø18/Ø4,5x16mm Spacer x2</p>	

Tools required

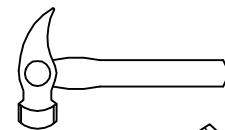
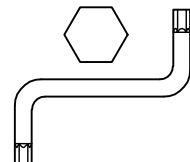
Phillips screwdriver (medium)



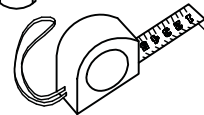
Flatblade screwdriver (medium)



Allen key 4mm incl. No. 4033-004



Small hammer



Ruler/tape measure



Eye protection (when using a hammer or glue)

Assembly Instructions

Step 1

Place distance pieces **10** and legs **1** and **2** so that the top holes are facing upwards.

Apply glue **G** into the holes of distance pieces **10** and legs **1** and **2**.

DO NOT APPLY TOO MUCH GLUE **G**.

Attach dowels **E** to the distance pieces **10**.

Attach dowels **E** to the legs **1** and **2**.

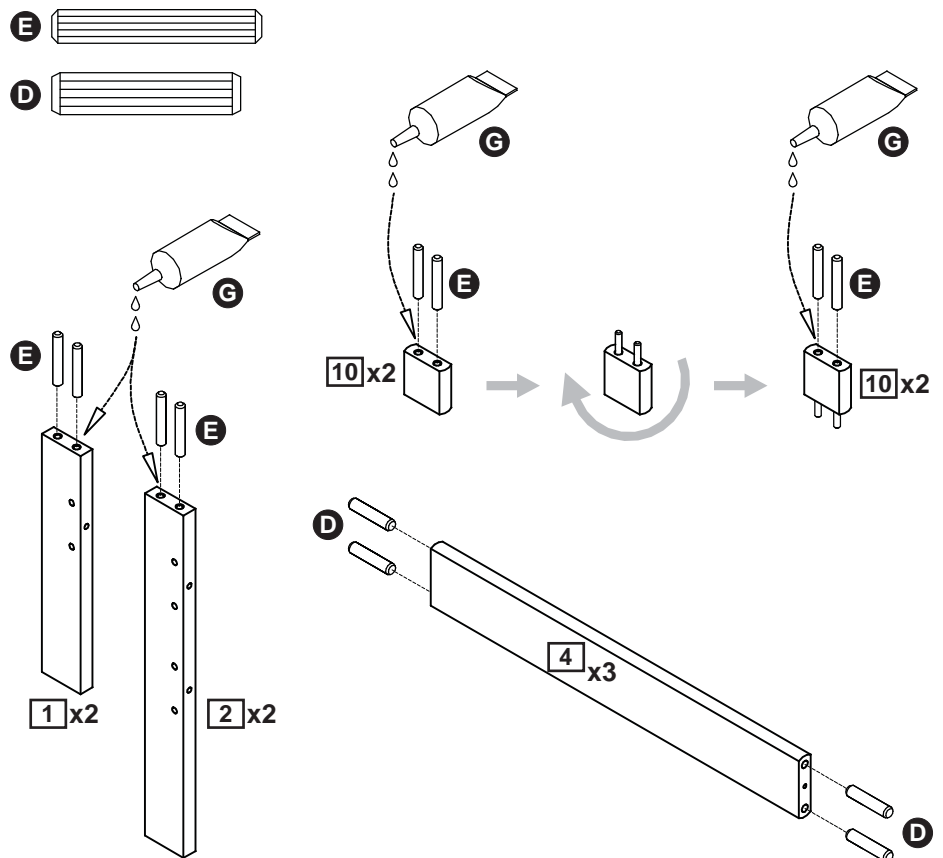
Turn the distance pieces **10** 180° around, so that the attached dowels **E** are facing downwards.

Apply glue **G** into the holes of distance pieces **10**.

Attach dowels **E** to the distance pieces **10**.

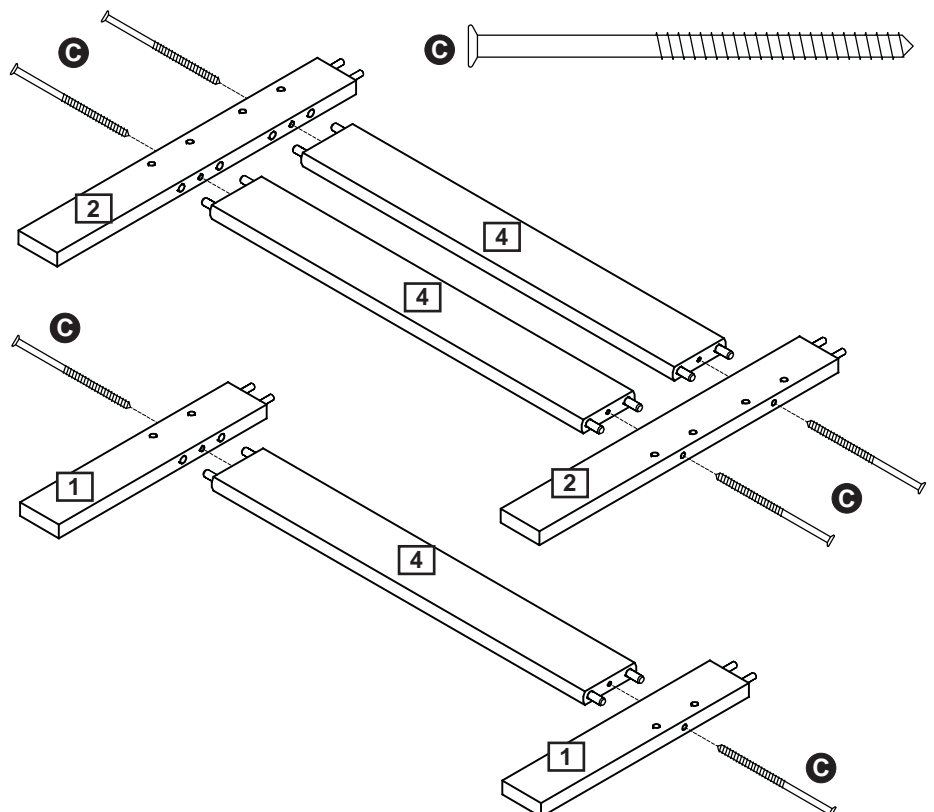
Attach dowels **D** to the end rails **4**.

It may be necessary to tap the dowels in very gently with a small hammer.



Step 2

Attach end rails **4** to the legs **1** and **2** with screws **C** using the allen key.



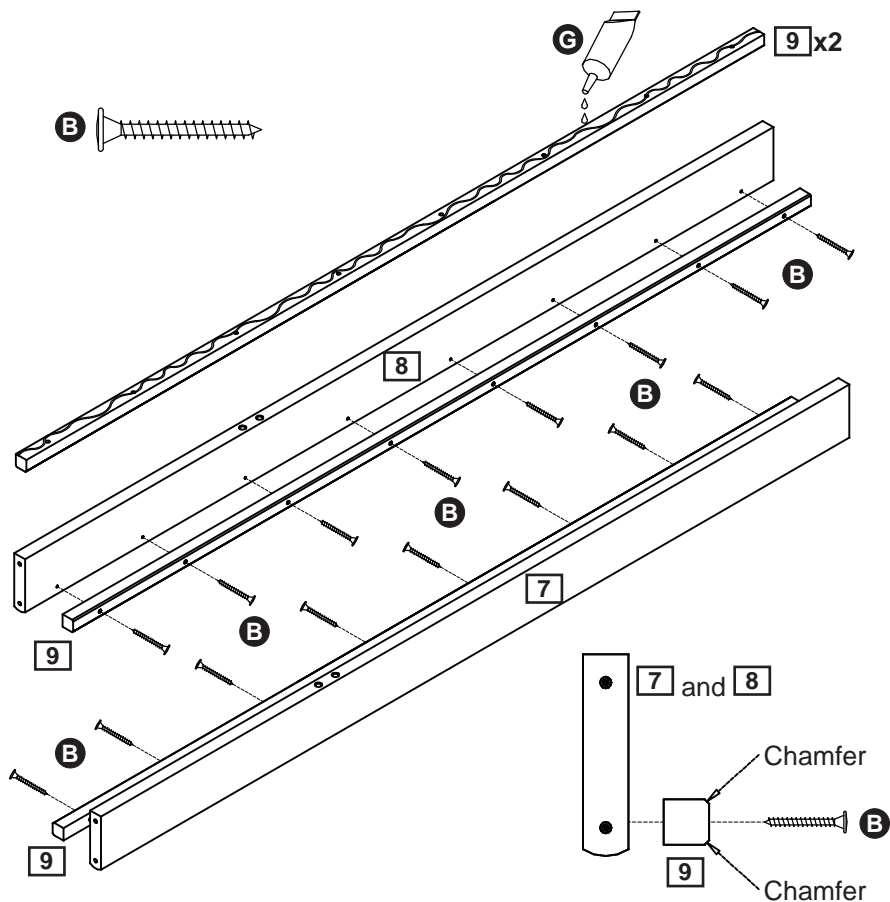
Assembly Instructions

Step 3

Place list so that holes are facing vertical and chamfer is positioned downwards.

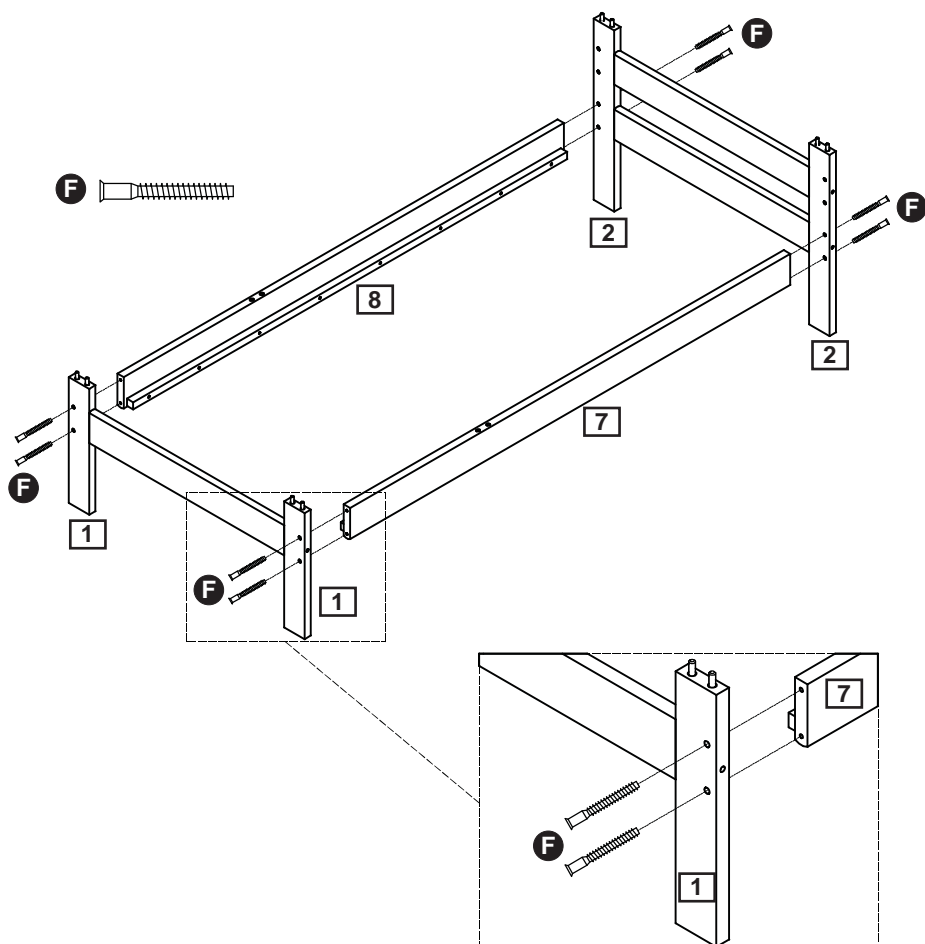
Apply glue **G** to the upper side of the list **9**.

Attach list **9** to the bedside **7** and **8** with screws **B** so that the chamfer is facing outside.



Step 4

Attach bed sides **7** and **8** to the legs **1** and **2** with screws **F** using the allen key.



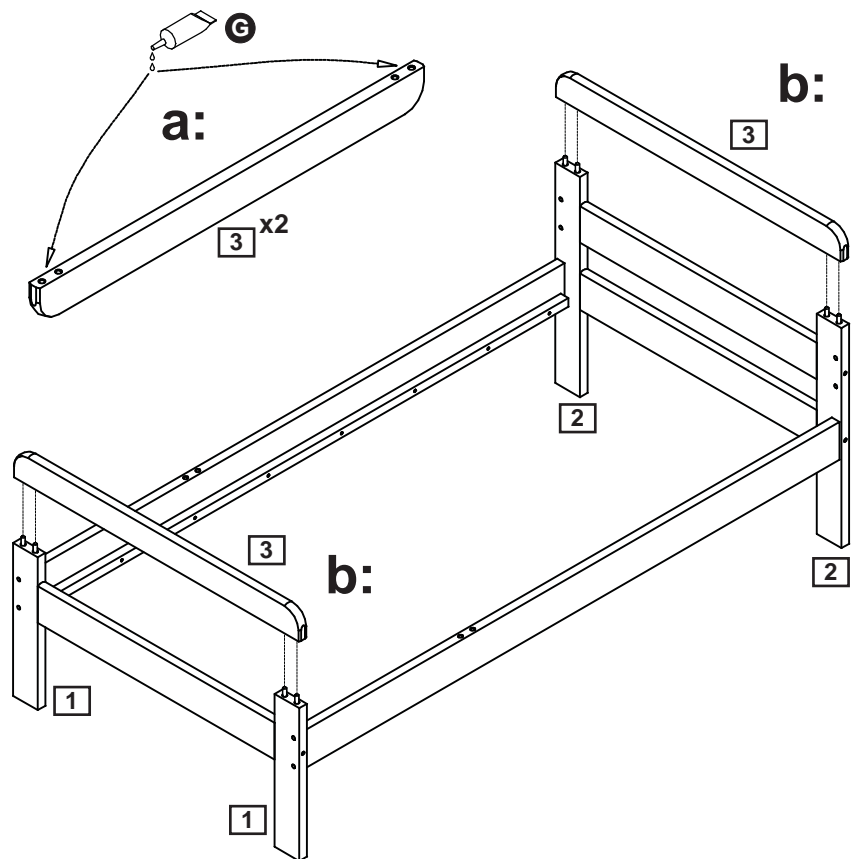
Assembly Instructions

Step 5

a: Apply glue **G** into the holes of top rails **3**.

DO NOT APPLY TOO MUCH GLUE **G**.

b: Place top rails **3** carefully on top of the legs **1** and **2** so that dowels **E** go into the holes of top rails **5**.



Step 6

a: Apply glue **G** into the holes of safety rails **5**.

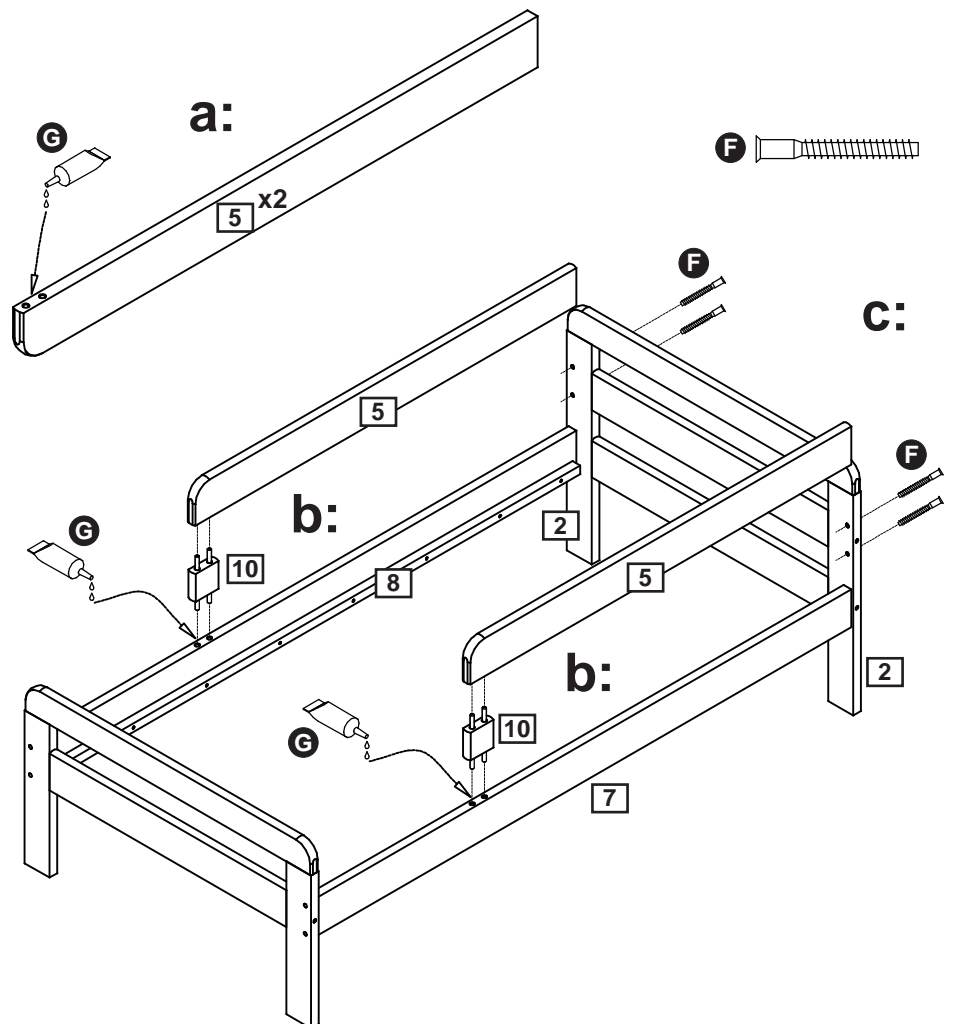
Apply glue **G** into the holes on the top side of bedsides **7** and **8**.

DO NOT APPLY TOO MUCH GLUE **G**.

b: Place distance pieces **10** with dowels **E** into the holes on top side of the bedsides **7** and **8**.

Place safety rails **5** carefully on top of the distance pieces **10** so that dowels **E** go into the holes of safety rails **5**.

c: Attach safety rails **5** to the legs **2** with screws **F**



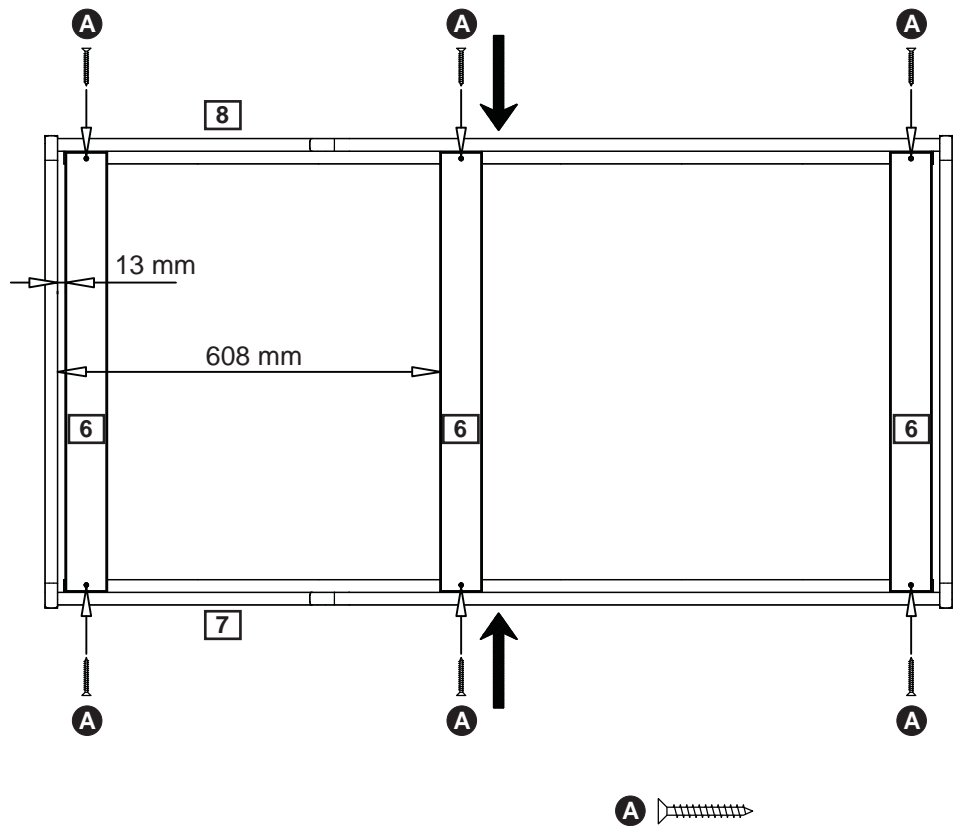
Assembly Instructions

Step 7

Place one slat **6** in the centre of the bed. Follow the measurement .

Place two slats **6** in the ends of the bed. Follow the measurement .

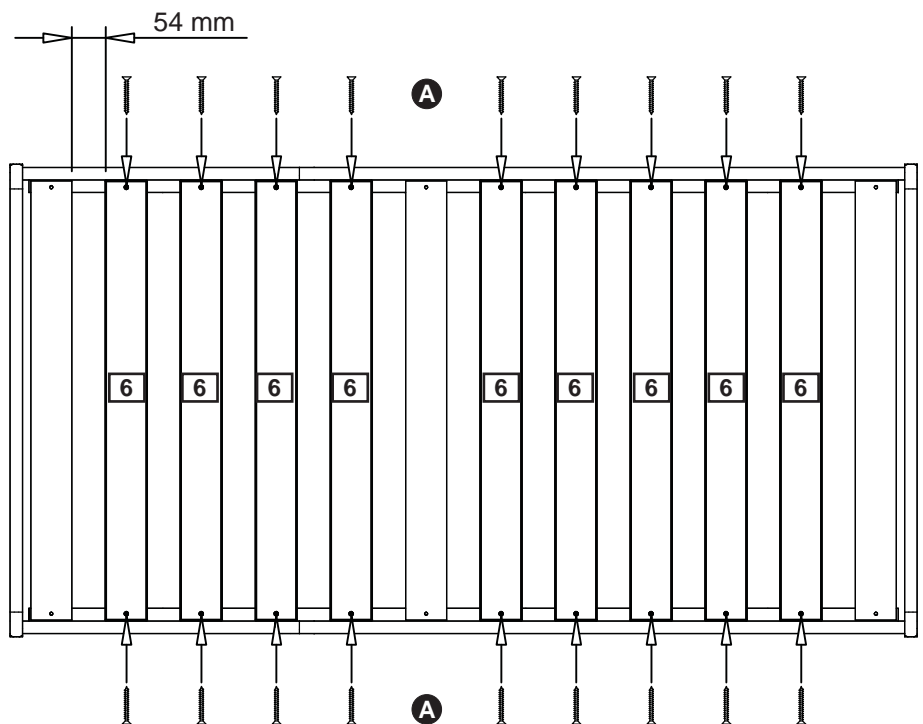
Push the bedsides **7** and **8** together whilst attaching middle slat **6** to the bed with two chipboard screws **A** .



Step 8

Position the remaining nine slats **6** in the bed with a distance of 54 mm between each.

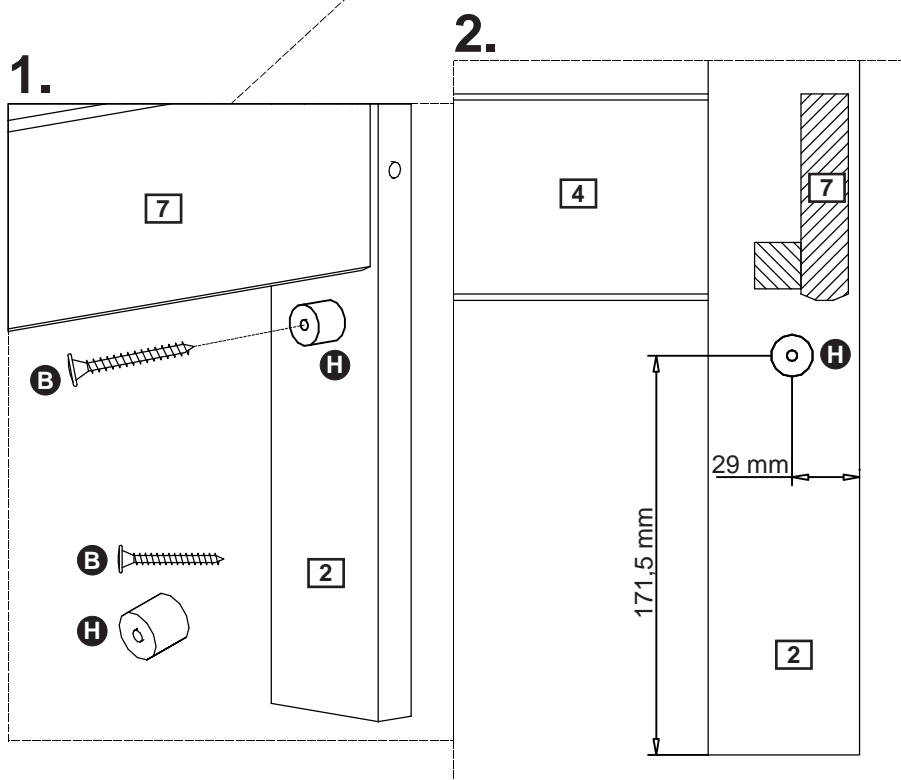
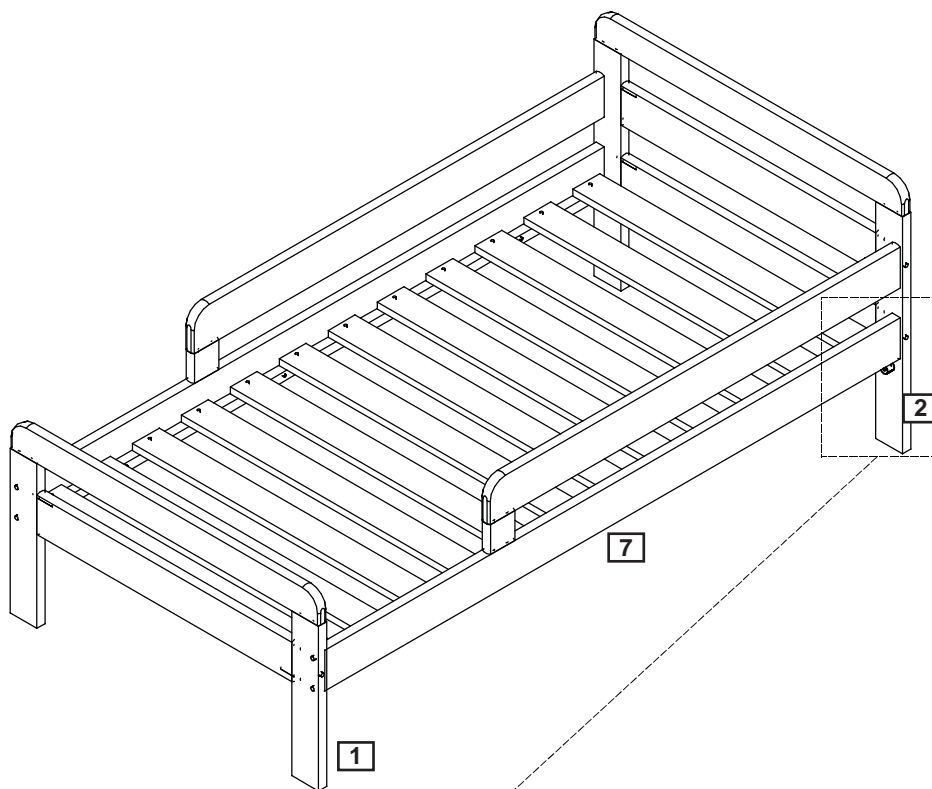
Fasten each slat with two screws **A**



Assembly Instructions

Step 14

Attach spacers **H** to the front legs **1** and **2** of your bed with screws **B**. Follow the measurements.

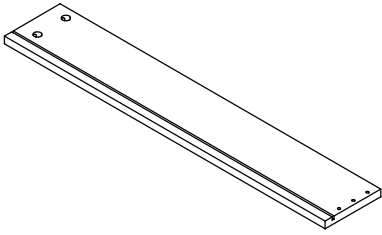


Assembly for this furniture is complete.

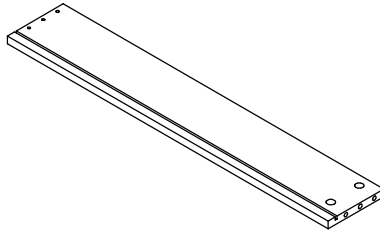
Components - Parts

If you have damaged or missing components, call the **Customer Helpline: 0045 7668 8055**

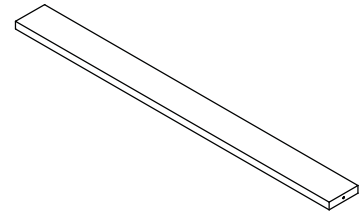
Please check you have all the parts listed below



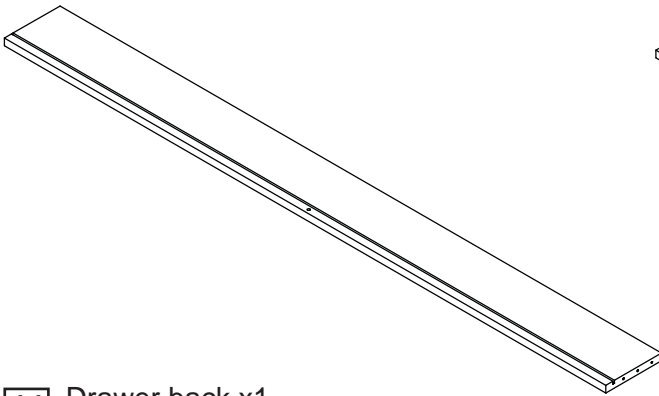
11 Drawer side left x1
(72x12.5x1.5cm)
No. 12-01507203-20



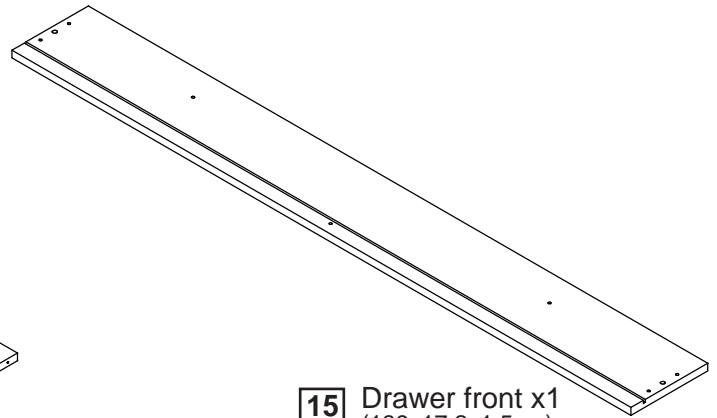
12 Drawer side right x1
(72x12.5x1.5cm)
No. 12-01507202-20



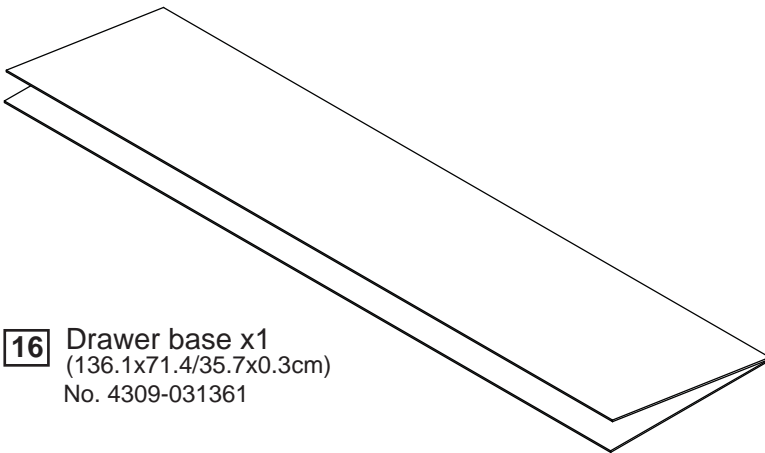
13 Base list x1
(70.4x6.5x1.5cm)
No. 12-01507041



14 Drawer back x1
(135x12.5x1.5cm)
No. 12-01513501-20



15 Drawer front x1
(139x17.2x1.5cm)
No. 12-01513901-20


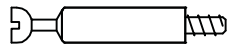
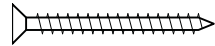


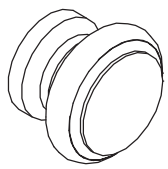
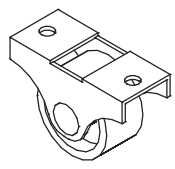


16 Drawer base x1
(136.1x71.4/35.7x0.3cm)
No. 4309-031361

Components - Fittings

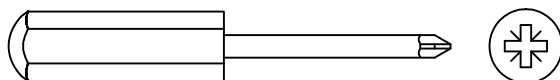
Please check you have all the fittings listed below

Note: The quantities below are the correct amount to complete the assembly. In some cases more fittings may be supplied than are required.

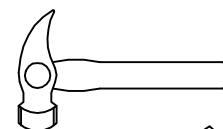
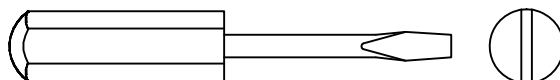
<p>i  No. 3933-15010</p> <p>Ø15x9,5mm Minifix cam x4</p>	<p>J  No. 4020-005</p> <p>Ø7x34mm Minifix bolt x4</p>	<p>K  No. 3901-40040</p> <p>4,0x40mm Chipboard screw x10</p>
<p>L  No. 3902-35015</p> <p>3,5x15mm Chipboard screw x8</p>	<p>M  No. 3930-08030</p> <p>8x30mm Dowel x2</p>	
<p>N  No. 4001-022-20</p> <p>Ø40x30mm Knob x2</p>	<p>O  No. 4003-002</p> <p>Ø26x28,5mm Castor x4</p>	

Tools required

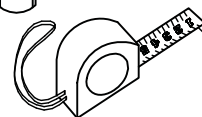
Phillips
screwdriver
(medium)



Flatblade
screwdriver
(medium)



Small
hammer



Ruler/tape
measure



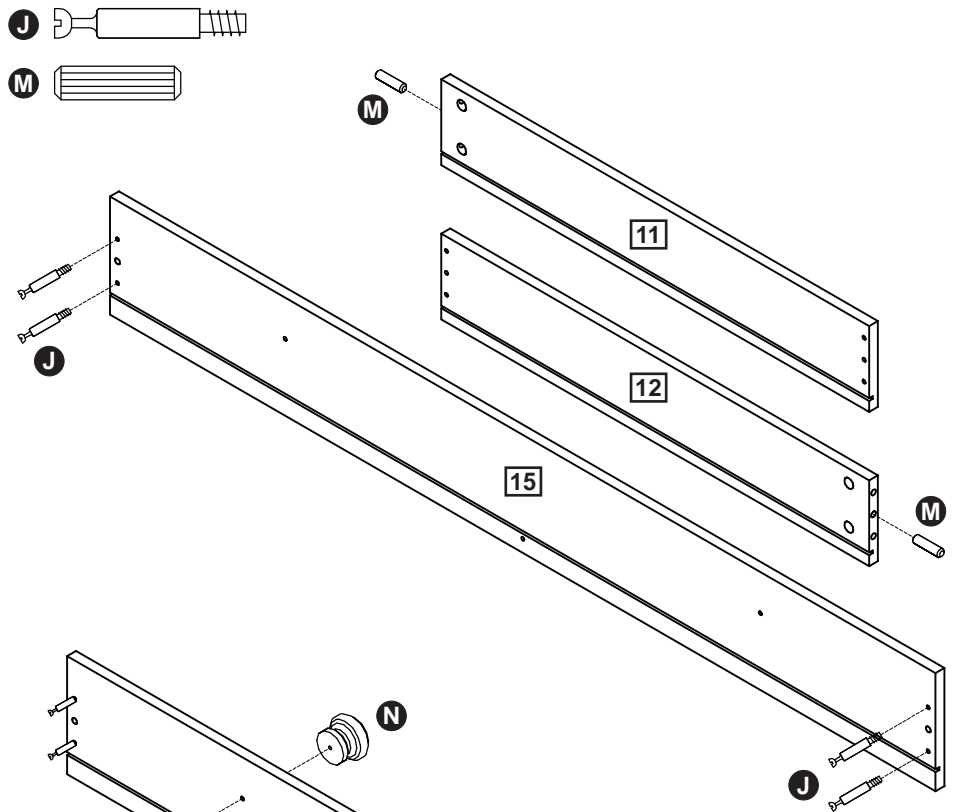
Eye protection
(when using a
hammer or glue)

Assembly Instructions

Step 9

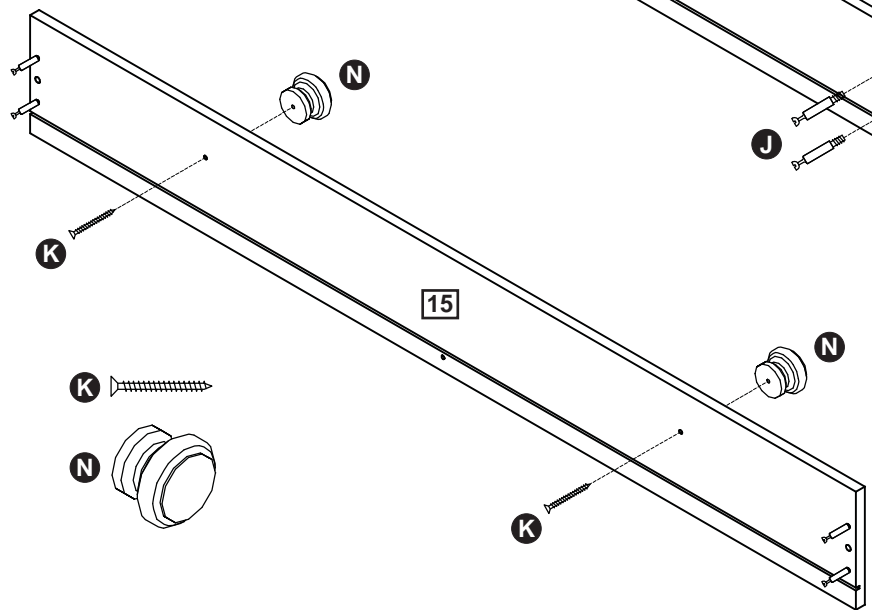
Attach dowels **M** to the drawer sides **11** and **12**. It may be necessary to tap the dowels in very gently with small hammer.

Attach minifix bolts **J** to the drawer front **15**.



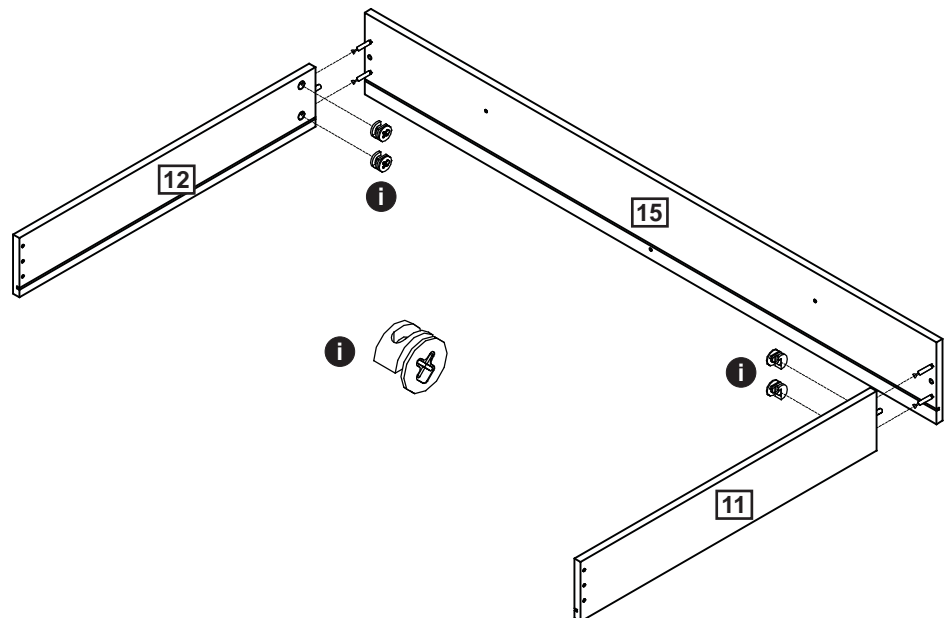
Step 10

Attach knobs **N** to the drawer front **15** with screws **K**.



Step 10

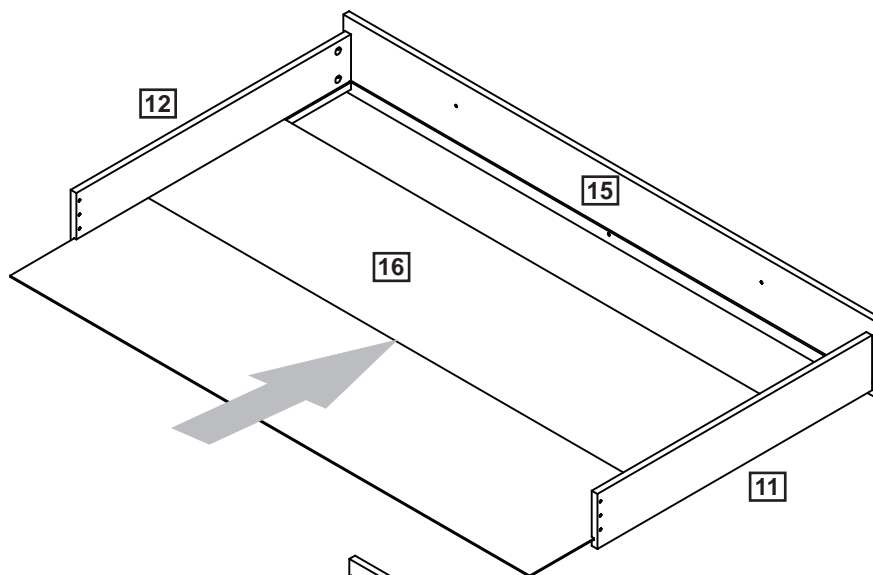
Attach the drawer sides **11** and **12** to the drawer front **15** with the minifix cams **i**.



Assembly Instructions

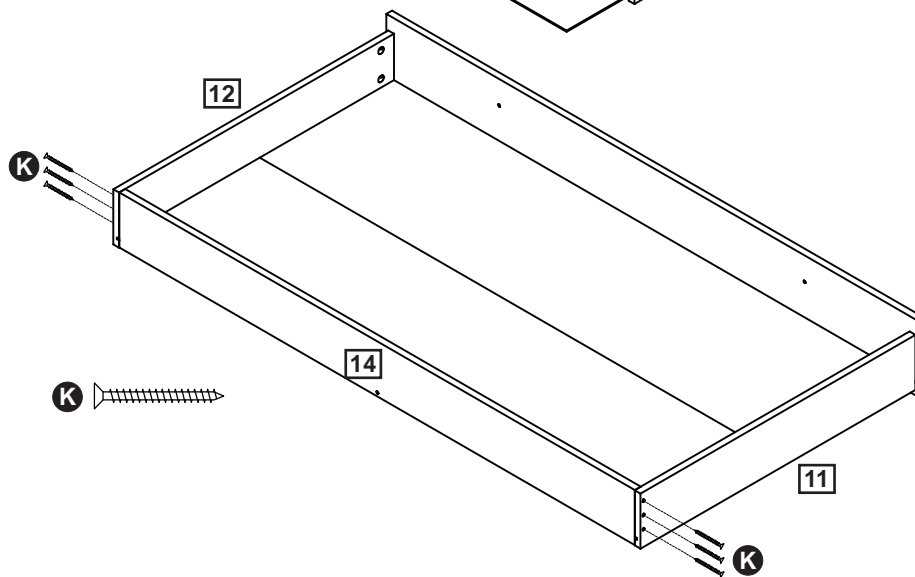
Step 11

Push the drawer base **16** carefully into the grooves of drawer sides **11** and **12** so that it is placed into the groove on the drawer front **15**.



Step 12

Attach the drawer back **14** to the drawer sides **11** and **12** with the screws **K**.

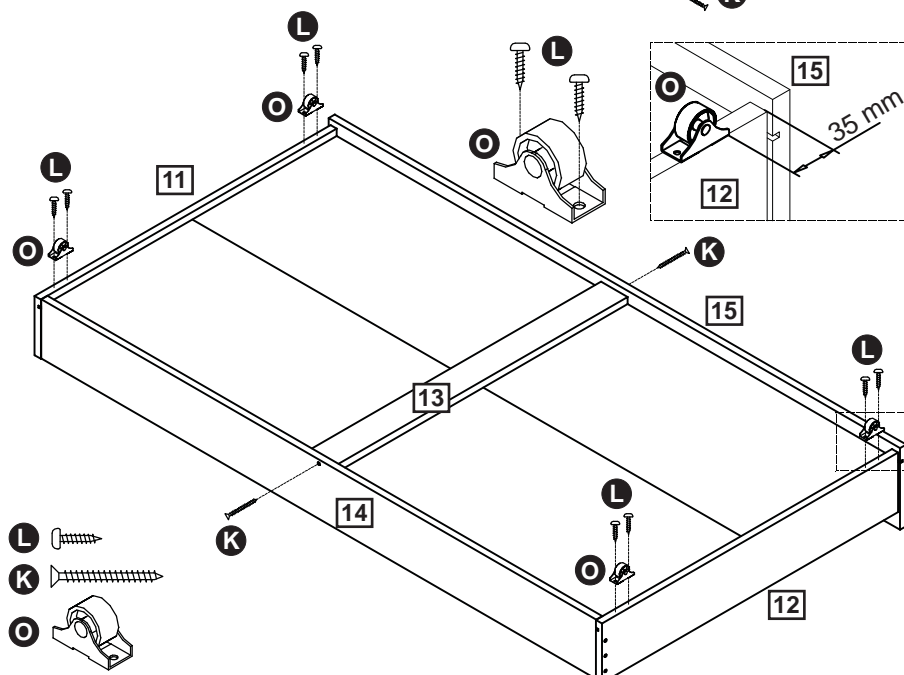


Step 13

Turn the drawer so that bottom side is up. Attach base list **13** to the drawer front **15** and to the drawer back **14** with screws **K**.

Attach the castors **O** to the drawer sides **11** and **12** with screws **L**.

Follow the measurements.



If you need help or have damaged or missing parts, call the **Customer Helpline: 0045 7668 8055**
E-mail: order@flexa.dk