

Midsleeper - White

Assembly Instructions - Please keep for future reference

1838800



Dimensions

Length - 196cm

Depth - 102cm

Height - 115cm

Weight - 25kg

Important – Please read these instructions fully before starting assembly

If you need help or have damaged or missing parts, call the **Customer Helpline:**

0045 7668 8055 or e-mail: order@flexa.dk



Safety and Care Advice

Important – Please read these instructions fully before starting assembly

- Check you have all the components and tools listed on pages 2 and 3.
- Remove all fittings from the plastic bags and separate them into their groups.
- Keep children and animals away from the work area, small parts could choke if swallowed.
- Make sure you have enough space to layout the parts before starting.

- Do not stand or put weight on the product, this could cause damage.
- Assemble the item as close to its final position (in the same room) as possible.
- Assemble on a soft level surface to avoid damaging the unit or your floor.
- Parts of the assembly will be easier with 2 people.



- We do not recommend the use of power drill/drivers **for inserting screws**, as this could damage the unit. Only use hand screwdrivers.
- Dispose of all packaging carefully and responsibly.

Care and maintenance

- Only clean using a damp cloth and mild detergent, do not use bleach or abrasive cleaners.
- From time to time check that there are no loose screws on this unit.
- This product should not be discarded with household waste. Take to your local authority waste disposal centre.

IMPORTANT - READ CAREFULLY -RETAIN FOR FUTURE REFERENCE

ASSEMBLY:

Always follow the instruction. Current legislation requires that the high bed / bunk bed must be fitted with 4 safety-rails and a ladder or platform for the upper bunk. The high bed / bunk bed meets the European EN 747:2012 A1:2015 standards for security and durability.

MATTRESS:

This bed is designed to use a mattress size 190 cm long and 90 cm wide. The total thickness must not exceed 16,1 cm. The mattress top must not pass the marking on the ladder / the post for the safety-rail.

WARNING:

High beds and the upper bed of bunk beds are not suitable for children under six years due to the risk of injury from falls. Bunk beds and high beds can present a serious risk of injury from strangulation if not used correctly. Never attach or hang items to any part of the bunk bed that are not designed to be used with the bed, for example, but not limited to ropes, strings, cords, hooks, belts and bags. Children can be become trapped between the bed and the wall, a roof pitch, the ceiling, adjoining pieces of furniture (e.g. cupboards) and the like. To avoid risk of serious injury the distance between the top safety barrier and the adjoining structure shall not exceed 75 mm or shall be more than 230 mm.

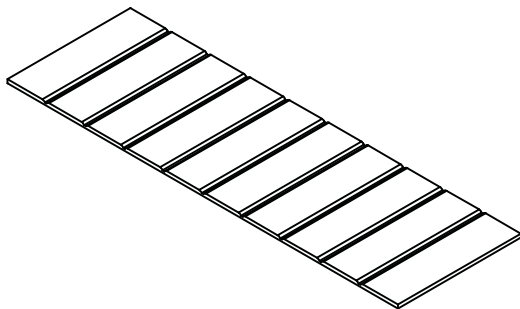
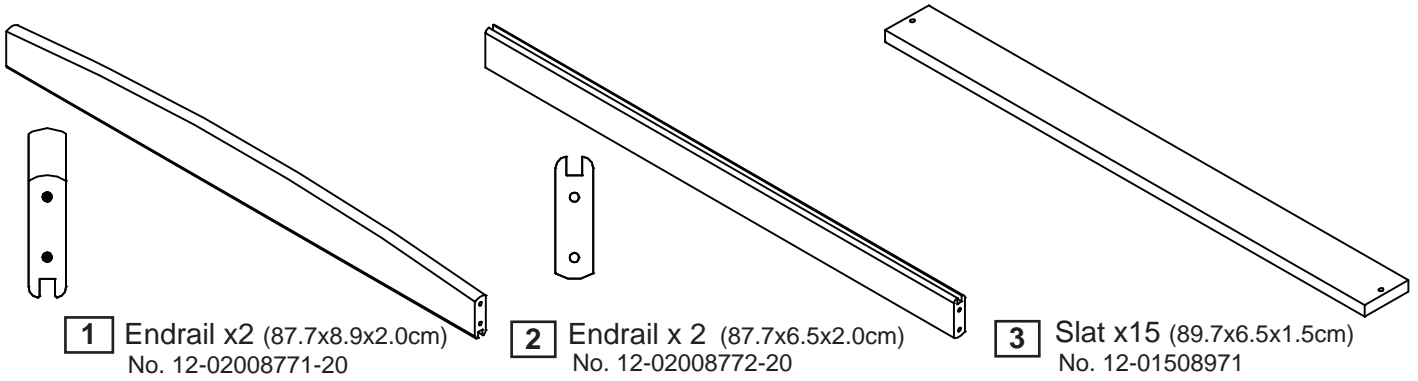
Do not use the high bed / bunk bed if any structural part is broken or missing.

MAINTENANCE INSTRUCTIONS:

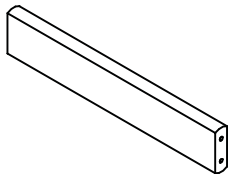
Check regularly that all assembly fastenings are properly tightened. Ventilation of the room is necessary in order to keep the humidity low and to prevent mould in and around the bed.

Components - Parts

If you have damaged or missing components, call the **Customer Helpline: 0045 7668 8055**



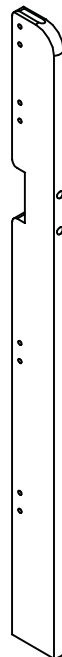
4 End panel x2 (87.7x27.6x0.8cm)
No. 4301-0808771-20



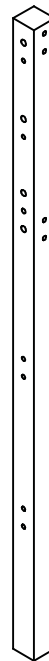
5 Tread x2 (35x6.5x2cm)
No. 12-02003503-20



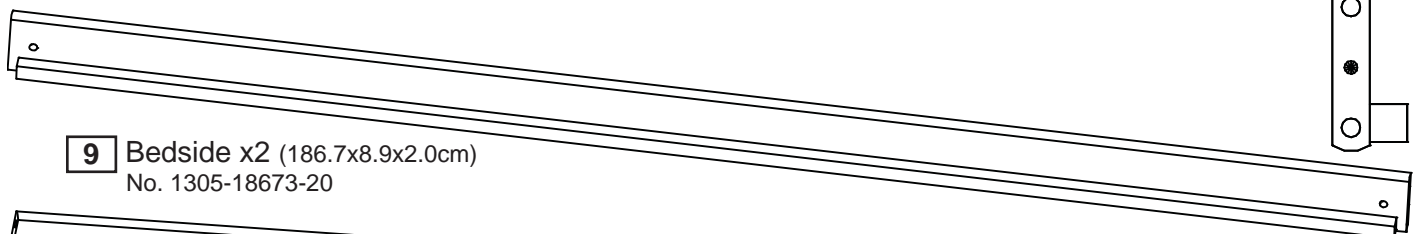
6 Safety list x2 (31.8x2.8x1.2cm)
No. 12-01203181-20



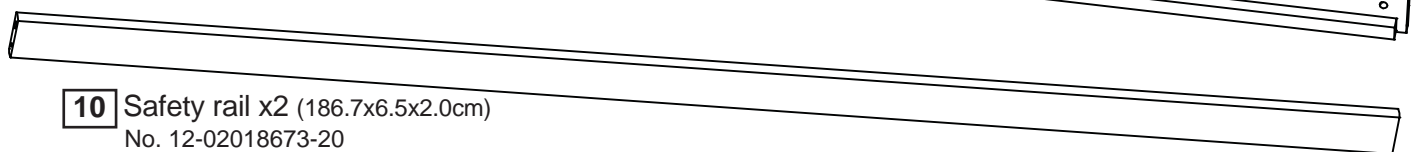
7 Ladder side x1 (111.3x8.9x2cm)
No. 12-02011132-20



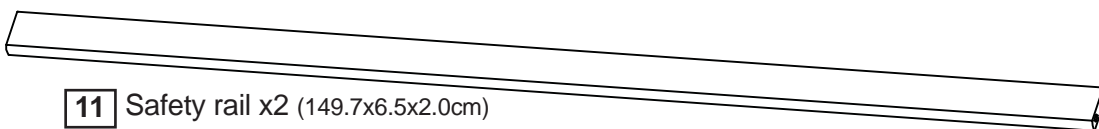
8 Leg x4 (112.4x4.3x4.3cm)
No. 12-04311241-20



9 Bedside x2 (186.7x8.9x2.0cm)
No. 1305-18673-20



10 Safety rail x2 (186.7x6.5x2.0cm)
No. 12-02018673-20

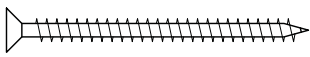

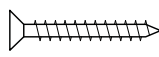

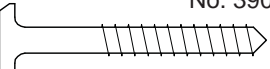
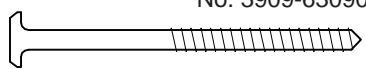

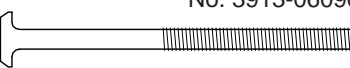

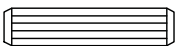
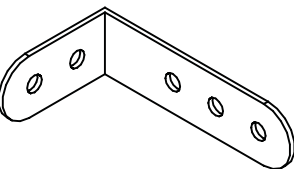


11 Safety rail x2 (149.7x6.5x2.0cm)
No. 12-02014971-20

Components - Fittings

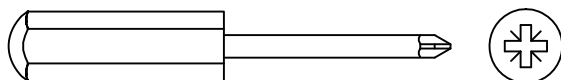
Please check you have all the fittings listed below

Note: The quantities below are the correct amount to complete the assembly. In some cases more fittings may be supplied than are required.

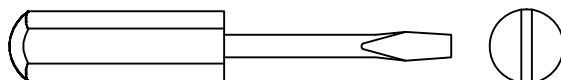
<p>A  No. 3901-45060 4.5x60mm Chipboard screw x2</p>	<p>B  No. 3922-06014 M6 Ø10x14mm Barrel nut x4</p>	<p>C  No. 3901-40030 4x30mm Chipboard screw x42</p>
<p>D  No. 3938-00007-20 ø7mm Cover cap plastic x28</p>	<p>E  No. 3909-63050 6,3x50mm Assembly screw x8</p>	<p>F  No. 3909-63090 6,3x90mm Assembly screw x26</p>
<p>G  No. 3938-00010-20 ø10mm Cover cap plastic x2</p>	<p>H  No. 3913-06090 M6x90mm Connecting bolt x4</p>	<p>I  No. 3939-00012-20 ø12x10mm Cover cap wood x2</p>
<p>J  No. 3930-10045 ø10x45mm Dowel x14</p>	<p>K  No. 4008-022 Angle 70x40.5x20mm x2</p>	

Tools required

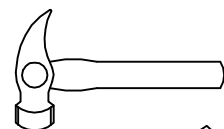
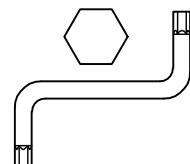
Phillips screwdriver (medium)



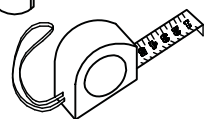
Flatblade screwdriver (medium)



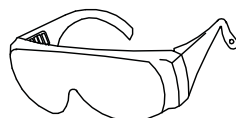
Allen key 4mm incl. No. 4033-004



Small hammer



Ruler/tape measure



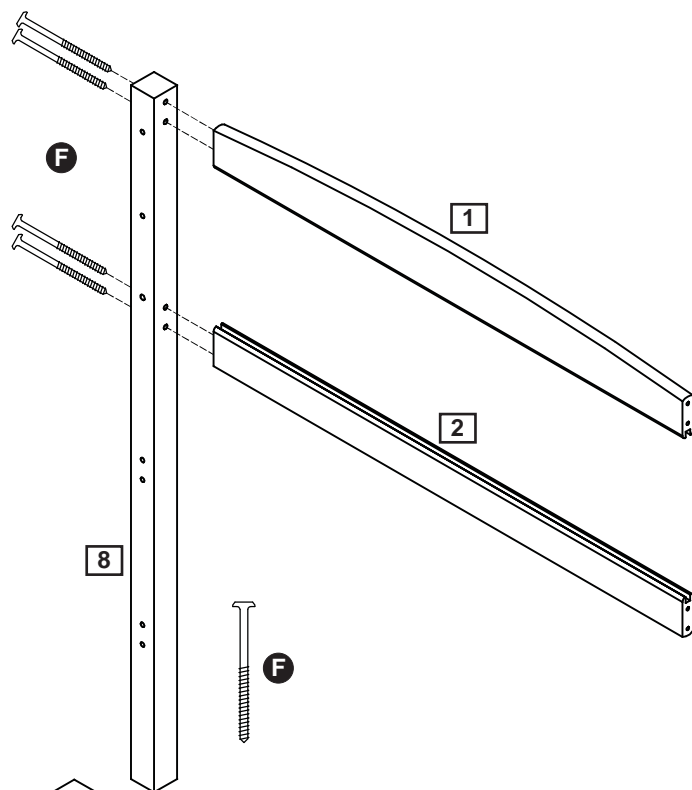
Eye protection (when using a hammer or glue)

Assembly Instructions

Step 1

Attach leg **8** to end rail **1** and end rail **2** with 4 screws **F** using the Allen Key

Repeat same procedure for both headboard and footboard



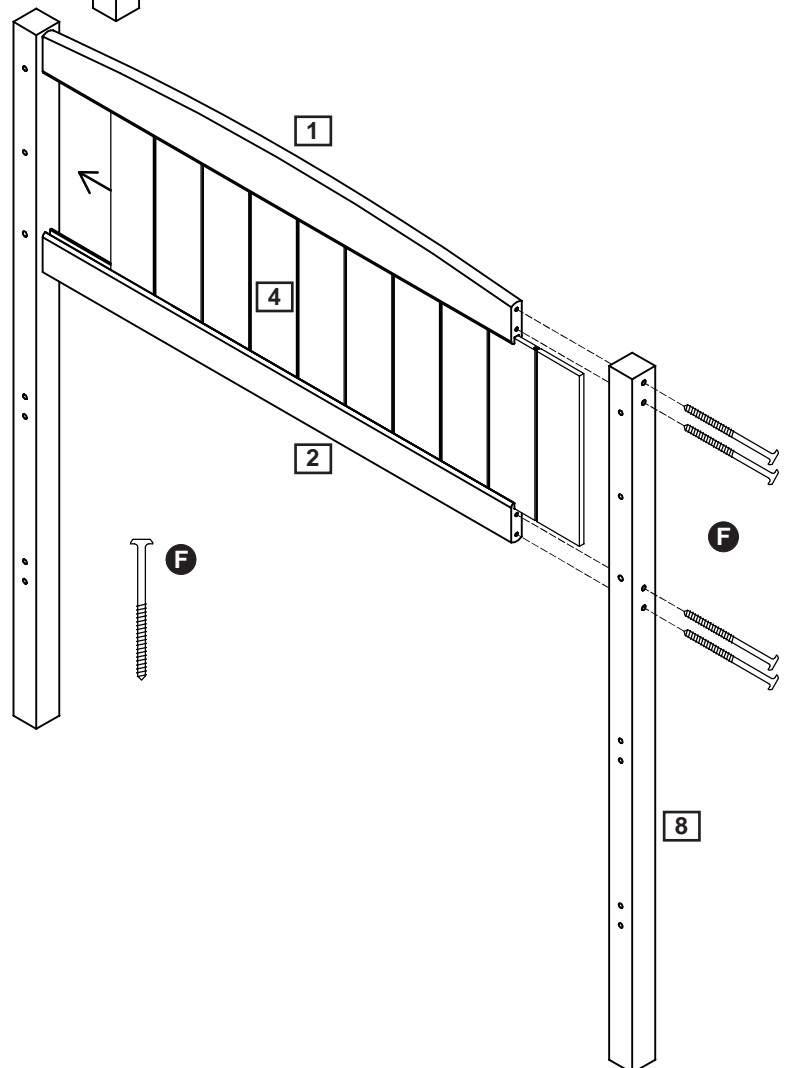
Step 2

During assembly of headboard and footboard, you must decide if the grooves in the MDF panels, should face in or out of the bed

Slide panel **4** between end rail **1** and end rail **2**.

Attach leg **8** to end rail **1** and end rail **2** with 4 screws **F** using the Allen Key.

Repeat same procedure for both headboard and footboard

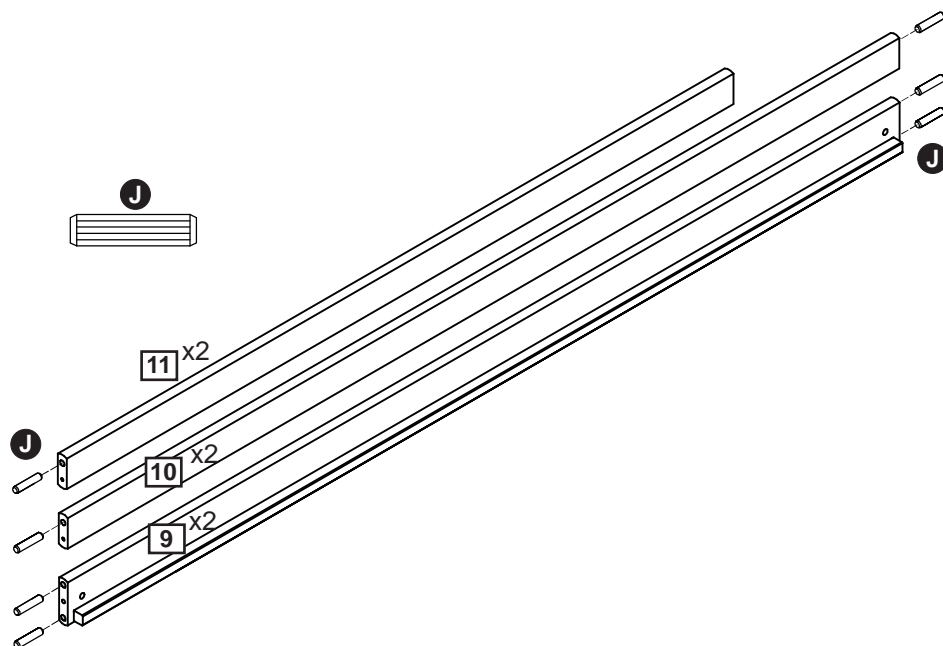


Assembly Instructions

Step 3

Insert dowels **J** to bedside **9** and to the safety rails **10** and **11**

– it may be necessary to tap the dowel in very gently with a small hammer.



Step 4

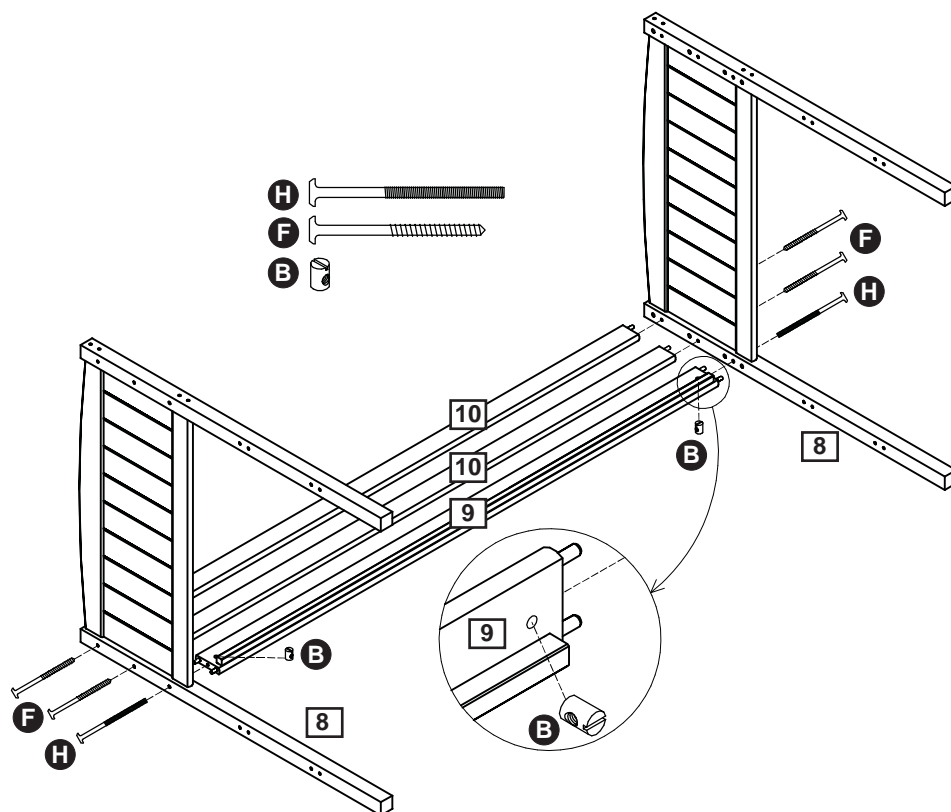
Attach the bedside **9** and the safety rail to **10** headboard and footboard firstly by placing the dowels in the holes in headboard and footboard.

The thin rail attached to the bedside should face inwards.

Push Barrel nuts **B** into the small holes in the bedside **9**. The groove on barrel nut **B** should be horizontal.

Push connecting bolt **H** through each leg **8** to meet barrel nut **B** and then fasten with the allen key.

Push assembly screws **F** through legs **8** to meet safety rail **10** and then fasten with the allen key.



Assembly Instructions

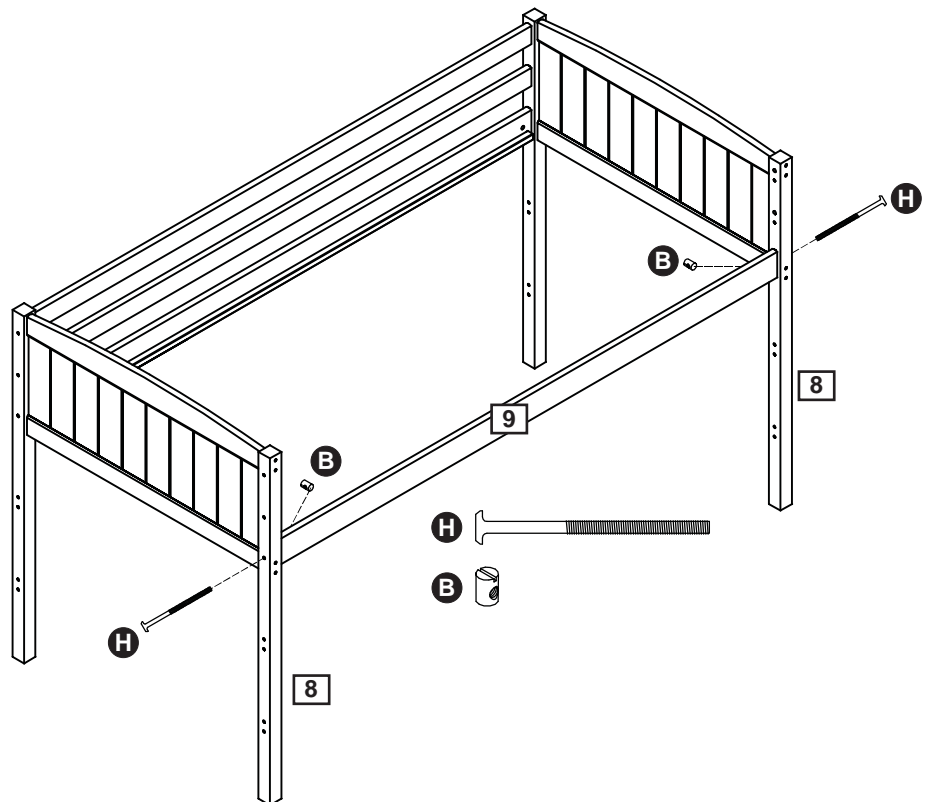
Step 5

Attach the bedside **9** to headboard and footboard firstly by placing the dowels in the holes in headboard and footboard.

The thin rail attached to the bedside should face inwards.

Push 2 Barrel nut **B** into the small hole in bedside **9**. The groove on barrel nut **B** should be horizontal.

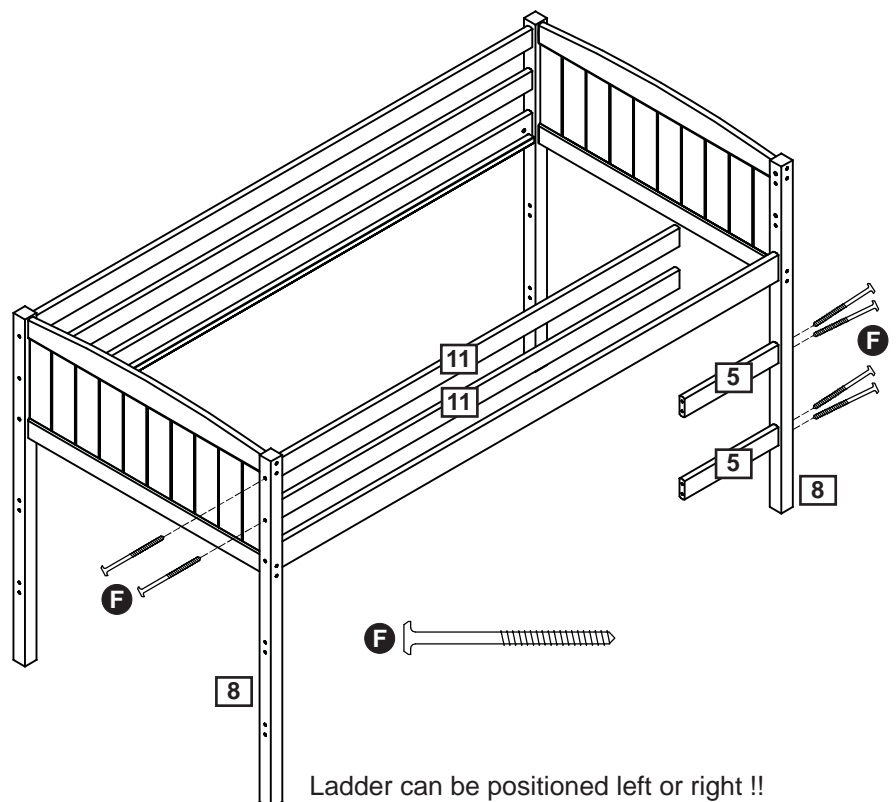
Push connecting bolt **H** through each leg **8** to meet barrel nut **B** and then fasten with the allen key.



Step 6

Attach safety rail **11** to the leg **8** with 2 screws **F**.

Attach the treads **5** to the leg **7** with the screws **E**.



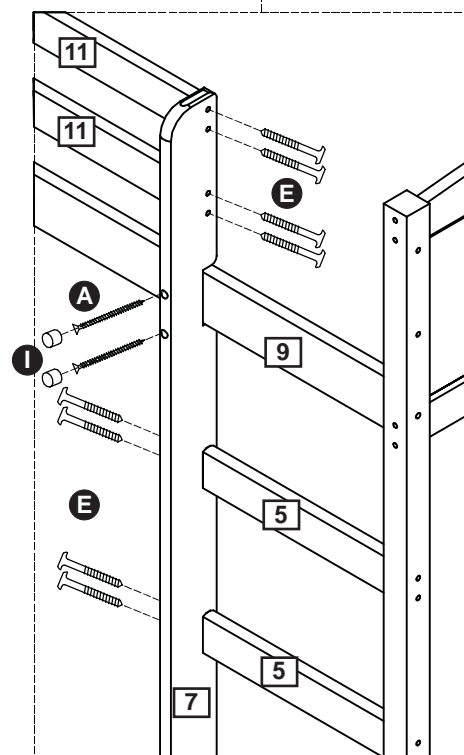
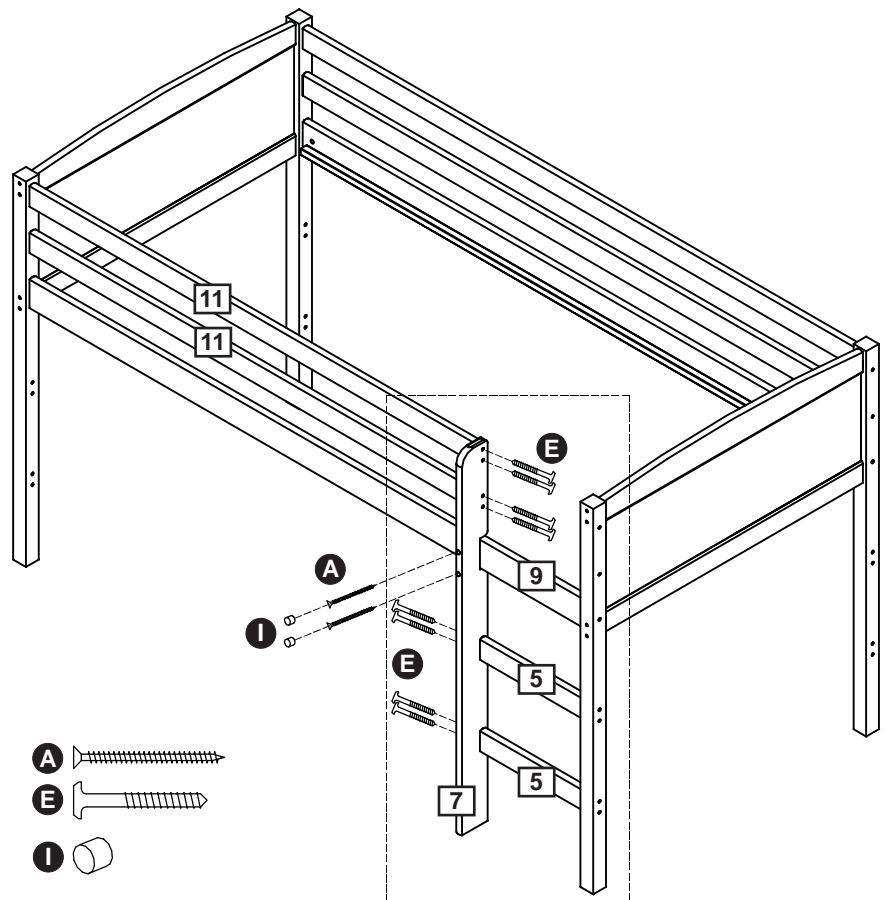
Assembly Instructions

Step 7

Attach the treads **5** to ladder sides **7** with the screws **E**

Attach ladder side **7** to the safety rails **11** with the screws **E**

Attach ladder side **7** to the bedside **9** with screws **A**. Push wooden cover caps **I** into the small holes in the ladder side **7**

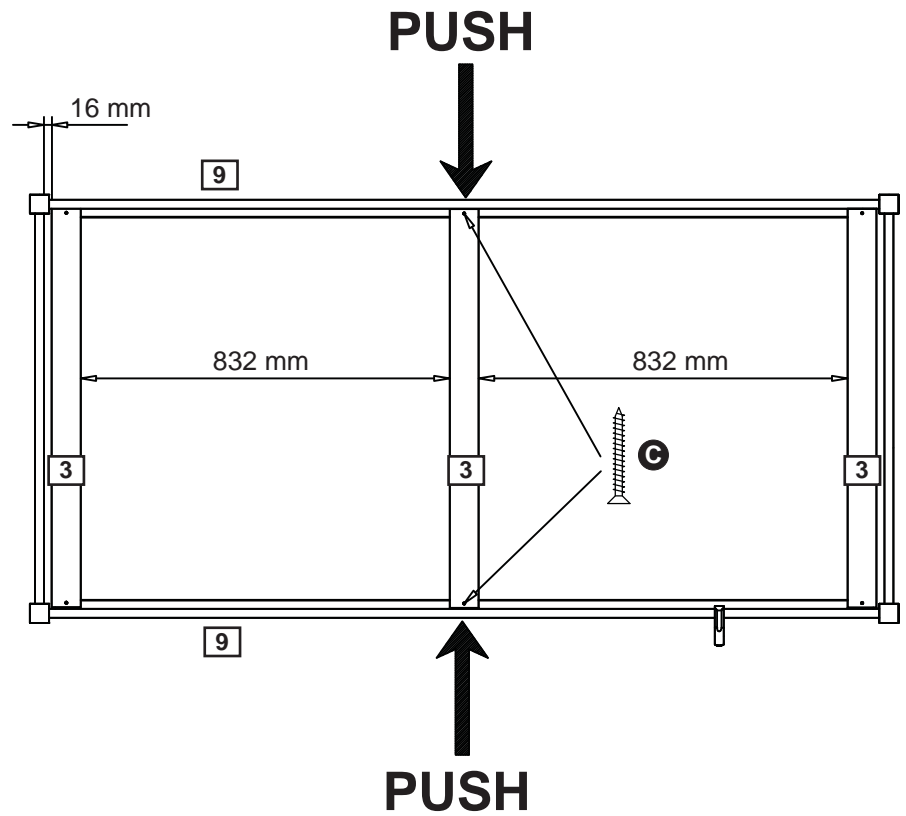


Assembly Instructions

Step 8

Place 1 slat **3** in the center of the bed and two slats **3** in both ends of the bed, 16mm from bed ends. Follow the measurements.

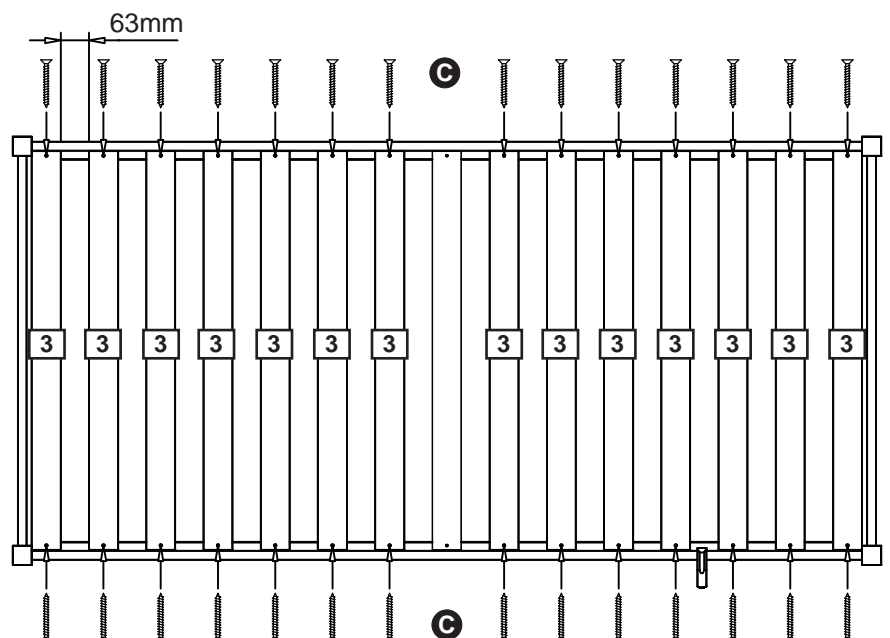
Push the bed sides **9** together whilst attaching slat **3** to the bed with 2 chipboard screws **C**



Step 9

Position the remaining 12 slats **3** in the bed with a distance of 63 mm between each.

Fasten each slat **3** with 2x chipboard screws **C**



Assembly Instructions

Step 10

Attach the safety list **6** inside the bed, on the front safety rails **11**. Should be in the center of the front guards between the slats.

Attach it **6** to the safety rails **11** and bedside **9** with chipboard screws **C**.

Follow the measurement.

Attach the safety list **6** on the outside of the bed, on the back safety rails **10**. Should be in the center of the back guards.

Attach it **6** to the safety rails **10** and bedside **9** with chipboard screws **C**.

Follow the measurement.

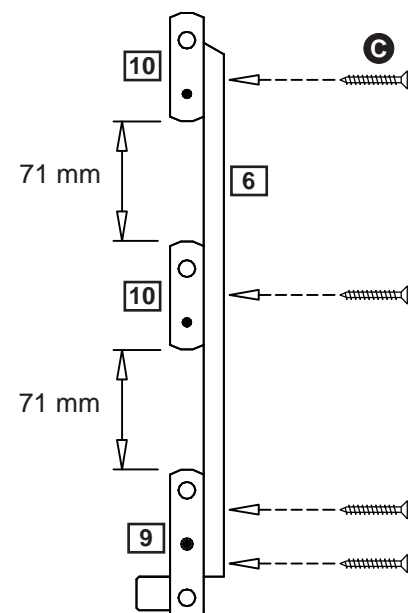
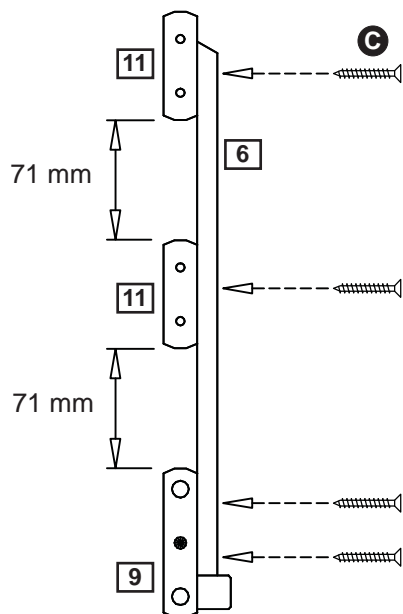
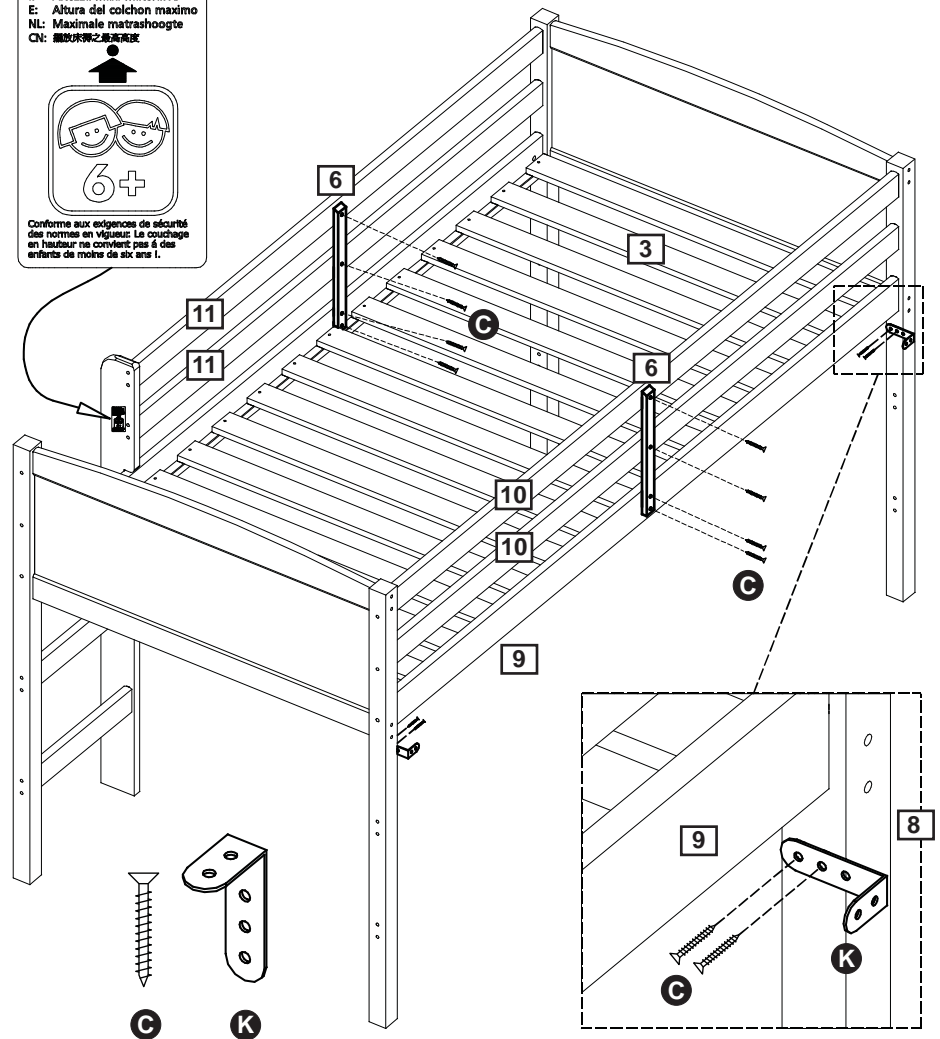
Attach wall mount brackets **K** to the leg **8** with chipboard screws **C**.

Max. mattress height !

Assembly is complete.



Max. mattress height !



If you need help or have damaged or missing parts, call the **Customer Helpline: 0045 7668 8055**
 E-mail: order@flexa.dk