

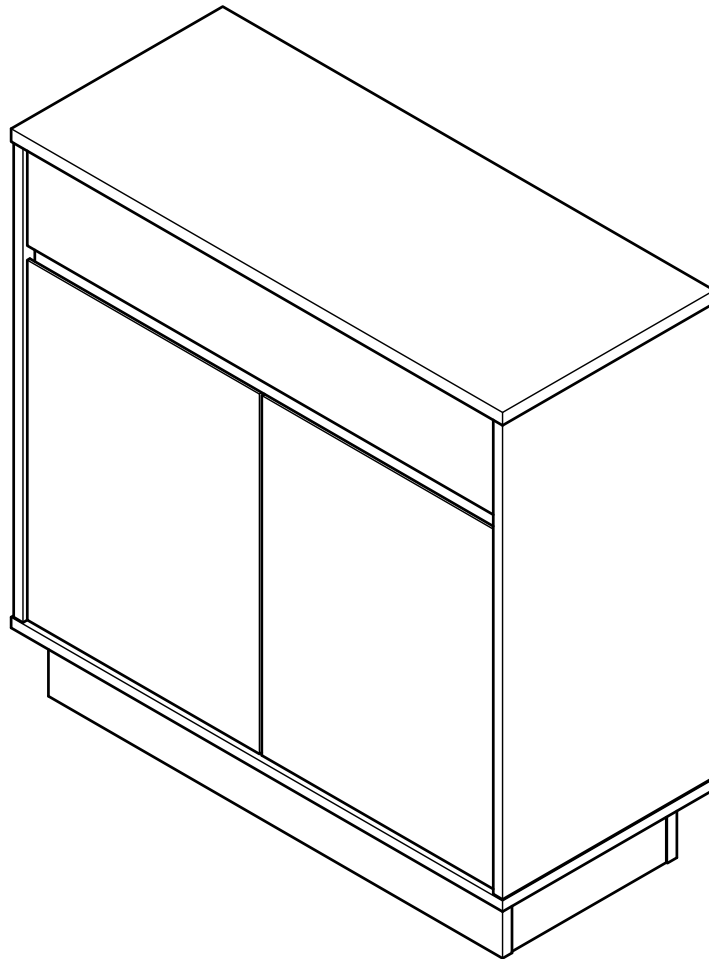
WOW CUBES SMALL SIDEBOARD

Assembly Instructions - Please keep for future reference

146/3426

183/9191

170/4941



Dimensions

Width - 79cm

Depth - 34cm

Height - 79cm

Important - Please read these instructions fully before starting assembly

If you need help or have damaged or missing parts, call the **Customer Helpline: 08456 400800**



Safety and Care Advice

Important - Please read these instructions fully before starting assembly

- Check you have all the components and tools listed on page 2 and 3.

- Remove all fittings from the plastic bags and separate them into their groups.

- Keep children and animals away from the work area, small parts could choke if swallowed.

- Make sure you have enough space to layout the parts before starting.

- Do not stand or put weight on the panels during assembly, this could cause damage.

- Assemble the item as close to its final position (in the same room) as possible.

- Assemble on a soft level surface to avoid damaging the unit or your floor.

- Parts of the assembly will be easier with 2 people.



- We do not recommend the use of power drill/driver **for inserting screws**, as this could damage the unit. Only use hand screwdrivers.

- Dispose of all packaging carefully and responsibly.

Glue safety - Take care when using glue, please follow the advice below

Skin contact: Remove contamination by washing with soap and water. This procedure should also be followed prior to eating and drinking.

Eye contact: Rinse immediately with clean water for 15 minutes and seek medical advice.

If swallowed: Seek medical advice immediately. If possible show product information or label to the medical advisor.

Care and maintenance

- Only clean using a damp cloth and mild detergent, do not use bleach or abrasive cleaners.

- From time to time check that there are no loose screws on this unit.

- This product should not be discarded with household waste. Take to your local authority waste disposal centre.

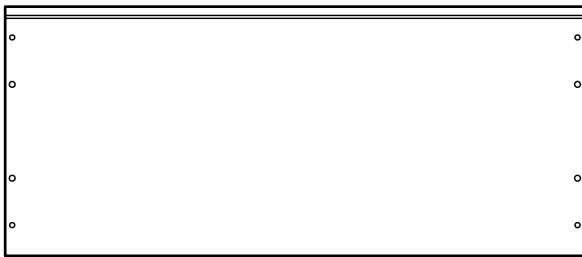
Note: If required the next page can be cut out and used as reference throughout the assembly. Keep this page with these instructions for future reference.

Components - Panels

Please check you have all the panels listed below



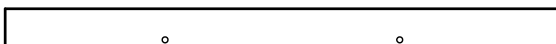
1 Top panel (79 x 34cm)



2 Bottom panel (79 x 34cm)



3 Middle rail (75.6 x 4.5cm)



4 Support rail (75.6 x 5cm)



5 Back support (75.6 x 9.1cm)



6 Back X 2 (76.6 x 29.6cm)



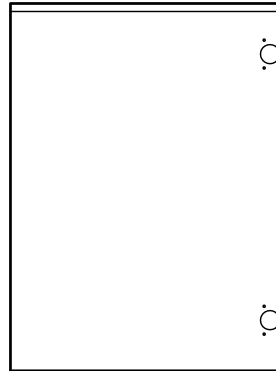
7 Shelf (75.4 x 29.4cm)



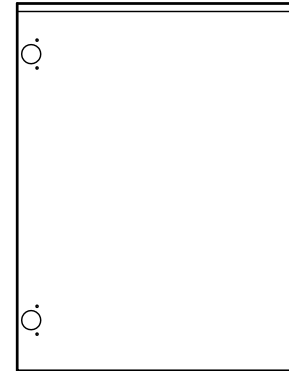
8 Base X 2 (69 x 9.5cm)



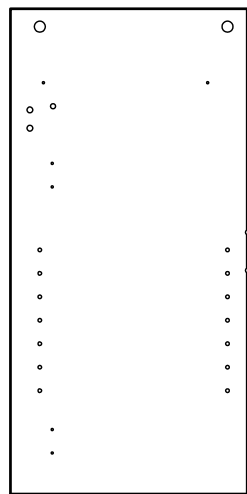
9 Base side X 2 (25 x 9.5cm)



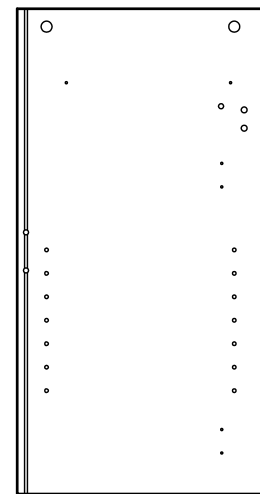
10 Left door (50 x 37.3cm)



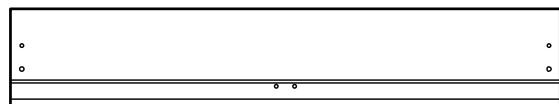
11 Right door (50 x 37.3cm)



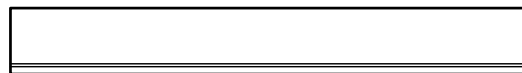
12 Left side (66.2 x 33.6cm)



13 Right side (66.2 x 33.6cm)



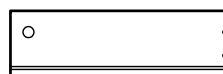
14 Drawer front (75 x 13.4cm)



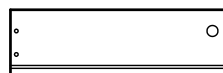
15 Drawer back (70.7 x 9cm)



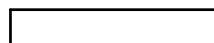
16 Drawer bottom (71.7 x 29.6cm)



17 Drawer left side (30 x 9cm)



18 Drawer right side (30 x 9cm)



19 Drawer support (28.6 x 5cm)

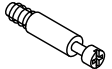


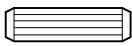

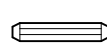
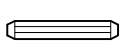
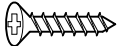
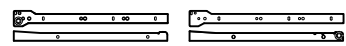





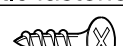
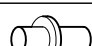





Components - Fittings

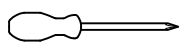
If you have damaged or missing components, call the **Customer Helpline: 08456 400800**

Please check you have all the fittings listed below

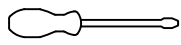
Note: The quantities below are the correct amount to complete the assembly. In some cases more fittings may be supplied than are required.

A  Locking pin x 6	B  12mm Locking nut x 4	C  9mm Locking nut x 2
D  30mm Dowel x 30	E  57mm Screw x 10	F  20mm Small dowel x 4
G  30mm Small dowel x 2	H  31mm Screw x 4	I  Drawer runner x 1 set
J  12mm Screw x 10	K  Hinge x 4	L  Plastic fastener x 8
M  16mm Screw x 8	N  Glue x 2	O  15mm Screw x 16
P  Shelf support x 4	Q  Plastic plug x 6	R  15mm Screw x 2
S  WALL STRAP X 2		

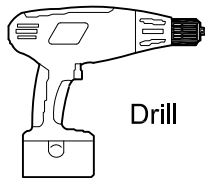
Tools required



Phillips screwdriver
(medium & large)

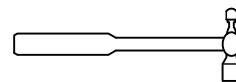


Flatblade screwdriver
(medium)



Drill

7mm Masonry drill bit
(for use with wall plug)



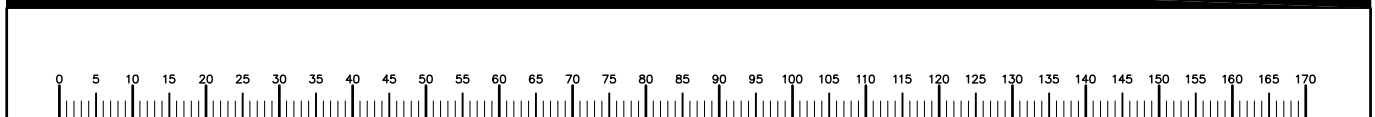
Small
hammer



Ruler/tape
measure

Eye protection
(when using a
hammer or glue)

Ruler - Use this ruler to help correctly identify the screws



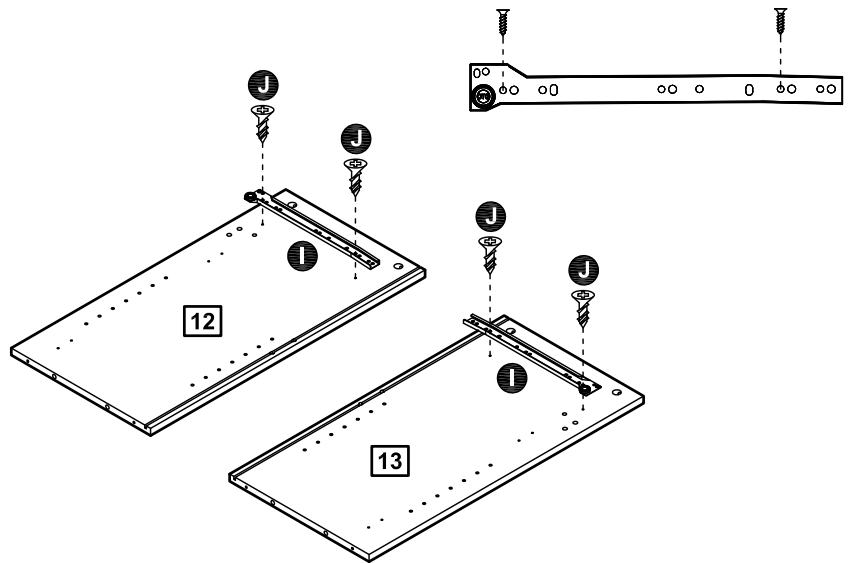
Assembly Instructions

Step 1

Fitting drawer runner

a: Use screws **J** to fix drawer runners **I** onto the left side **12** and right side **13**.

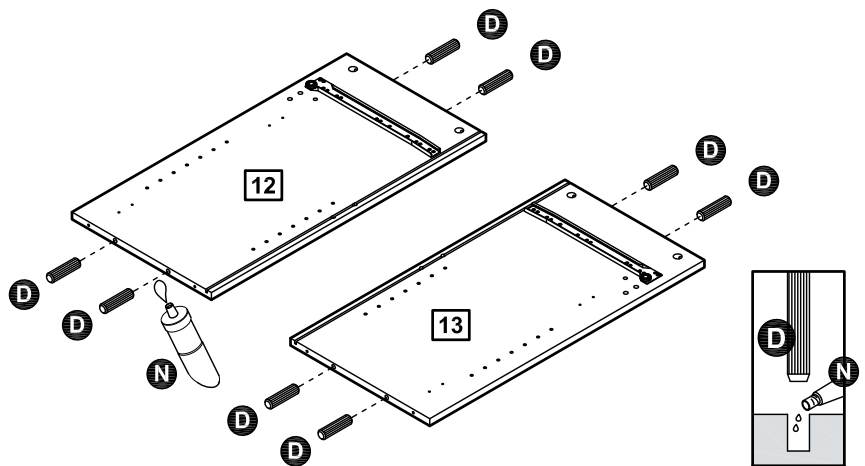
a:



Caution: Always check the assembly method is correct before applying glue.

b: Place a small amount of glue **N** into the dowel holes. Insert dowels **D** into left side **12** and right side **13**.

b:

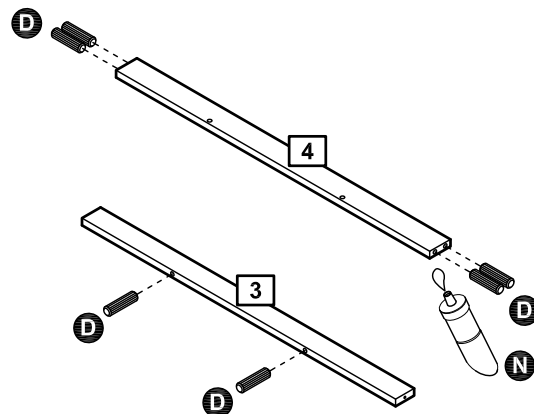


Step 2

Fitting the middle panel

a: Place a small amount of glue **N** into the dowel holes. Insert dowels **D** into the middle rail **3** and support rail **4**.

a:

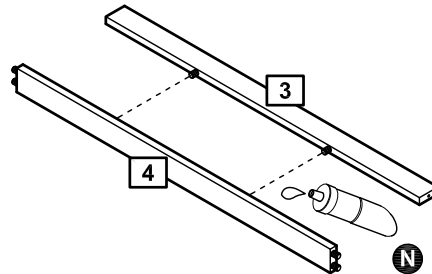


Assembly Instructions

Step 2 - continued

b: Place a small amount of glue **(N)** into the dowel holes. Attach support rail **(4)** and middle rail **(3)** together.

b:

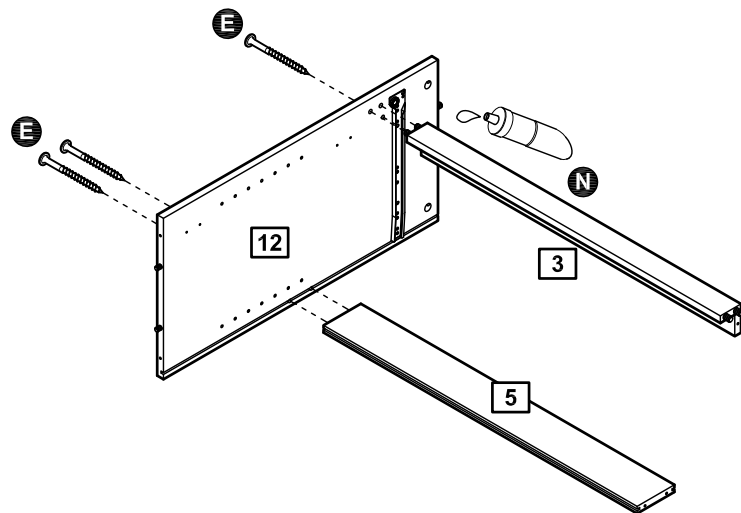


Step 3

Fitting the side

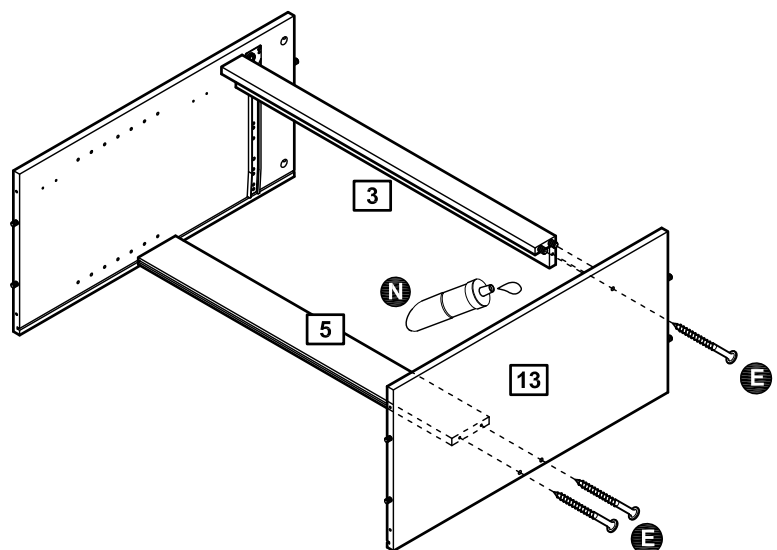
a: Place a small amount of glue **(N)** into the dowel holes. Attach middle rail **(3)** and back support **(5)** and the left side **(12)** together with screws **(E)**, using the screwdriver to tighten.

a:



b: Place a small amount of glue **(N)** into the dowel holes. Attach right side **(13)** and assembled unit together with screws **(E)**, using the screwdriver to tighten.

b:

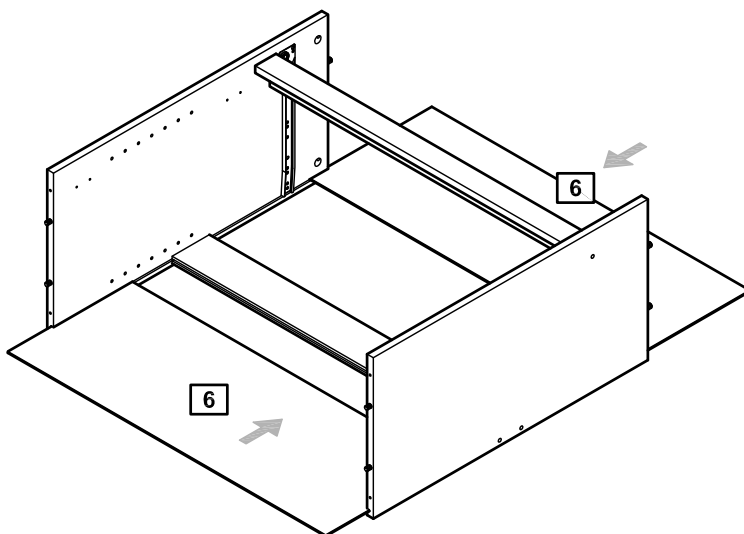


Assembly Instructions

Step 3 - continued

c: Slide back panel **6** into the back grooves of the unit as shown.

c:

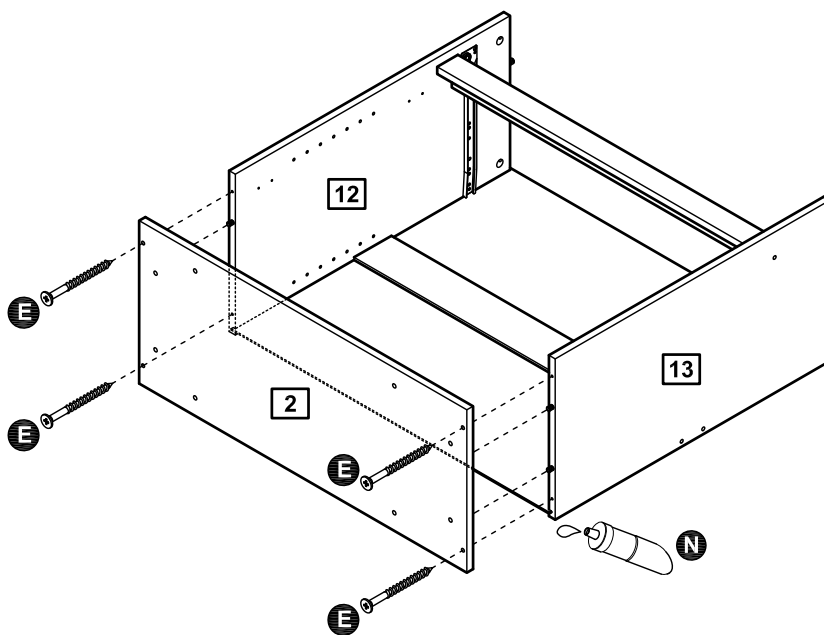


Step 4

Fitting the bottom

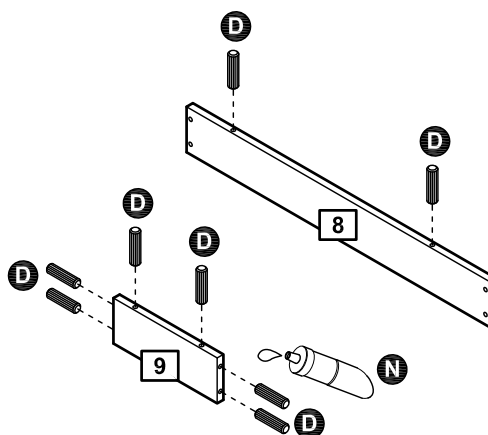
a: Place a small amount of glue **N** into the dowel holes. Attach the bottom panel **2** and assembled unit together with screws **E**, using a screwdriver to tighten.

a:



b: Place a small amount of glue **N** into the dowel holes. Insert dowels **D** into base **8** and base side **9**.

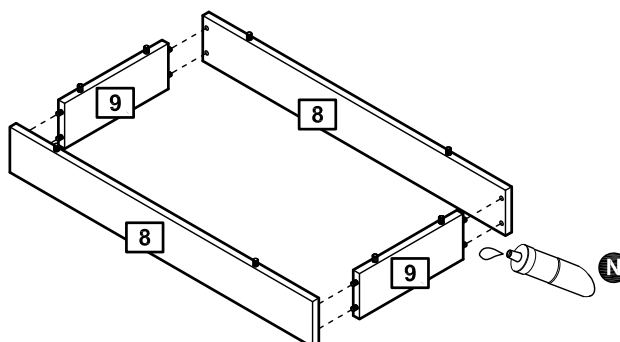
b:



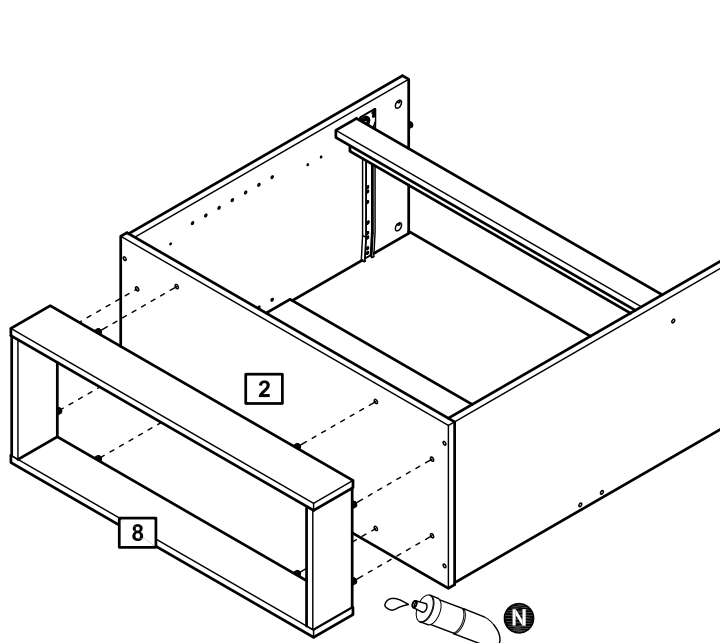
Assembly Instructions

Step 4 - continued

c: Place a small amount of glue **(N)** into the dowel holes. Attach the base **(8)** and base side **(9)** together as shown.



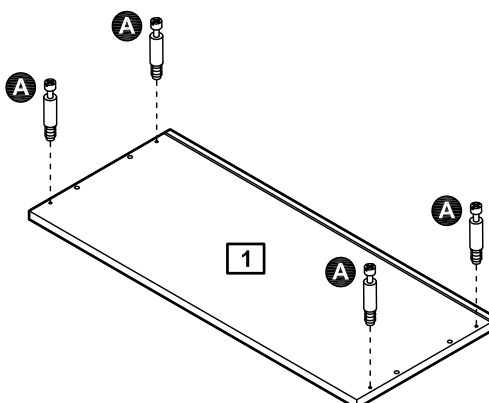
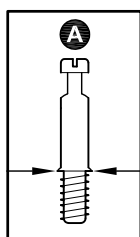
d: Place a small amount of glue **(N)** into the dowel holes. Attach the base panel unit to the bottom panel as shown.



Step 5

Fitting the top panel

a: Screw locking pins **(A)** into top panel **(1)**. Insert locking pins as far as shown.



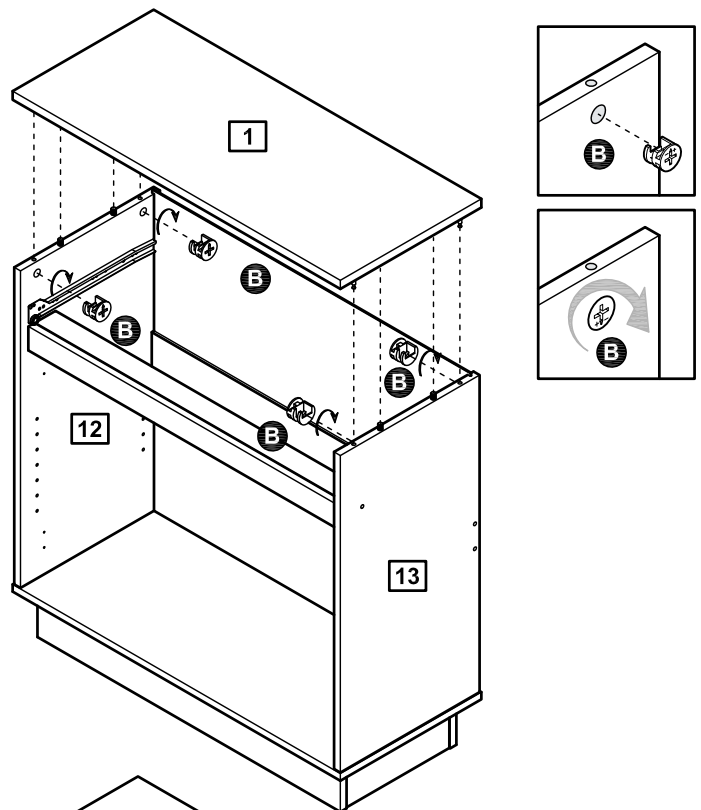
Assembly Instructions

Step 5 - continued

b: Carefully place the table top panel **1** onto the unit.

Insert locking nuts **B** into left side **12** and right side **13**, then use a screwdriver to turn locking nuts **B** clockwise to lock.

b:



Step 6

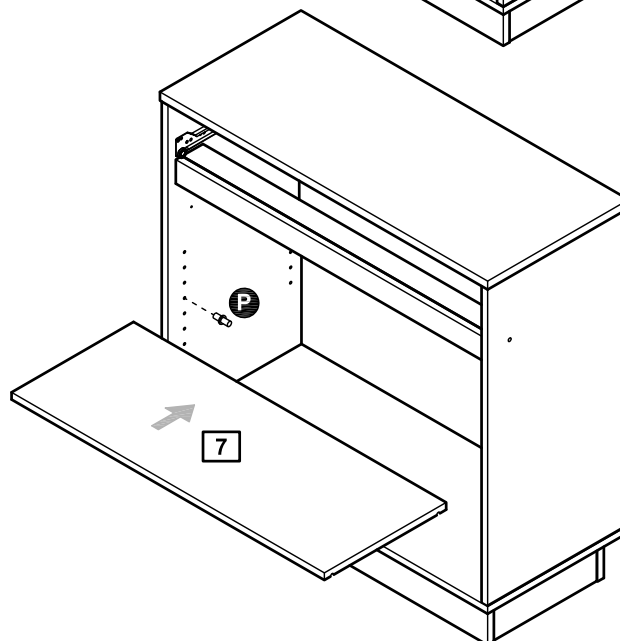
Fitting the shelf

a: Place shelf supports **P** into the unit.

NOTE: Adjust the shelf supports to the desired height.

Slide shelf **7** into the unit.

a:

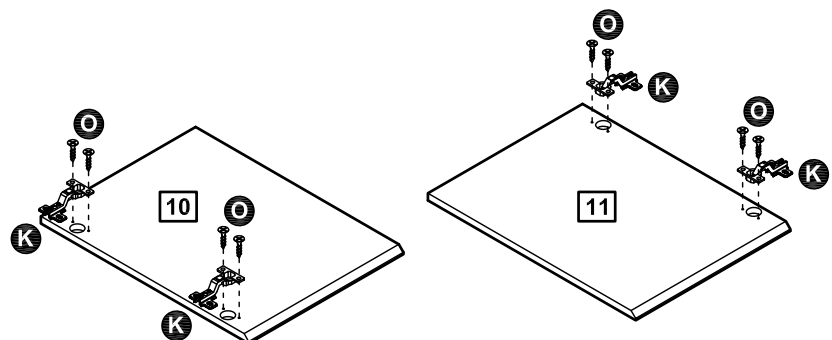


Step 7

Fitting the doors

a: Attach big bend hinges **K** to left door **10** and right door **11** with screws **O** using a screwdriver to tighten.

a:

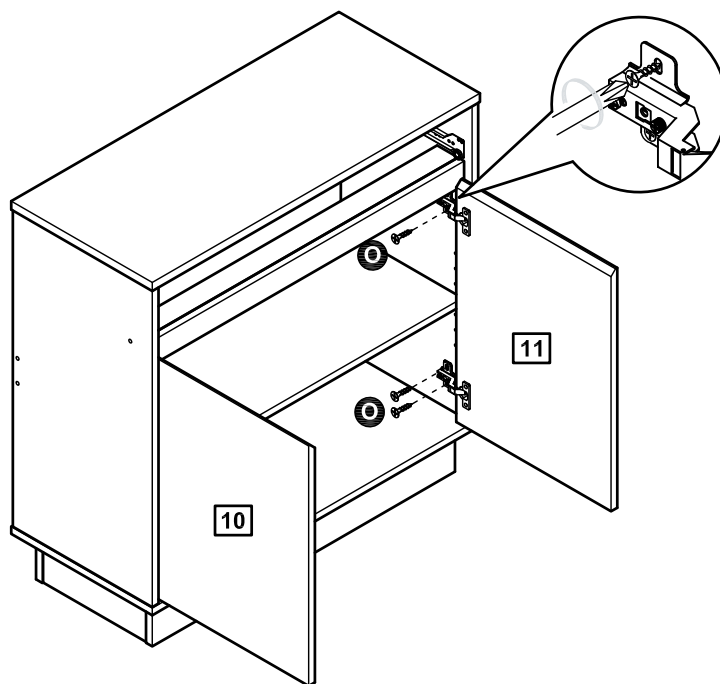


Assembly Instructions

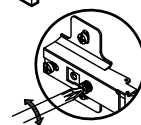
Step 7 - continued

b: Attach left door **10** and right door **11** to the assembled unit with screws **Ⓞ** using a screwdriver to tighten.

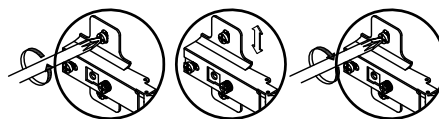
b:



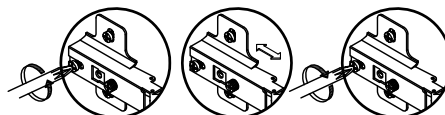
LATERAL



VERTICAL



FRONT-TO-BACK



Step 8

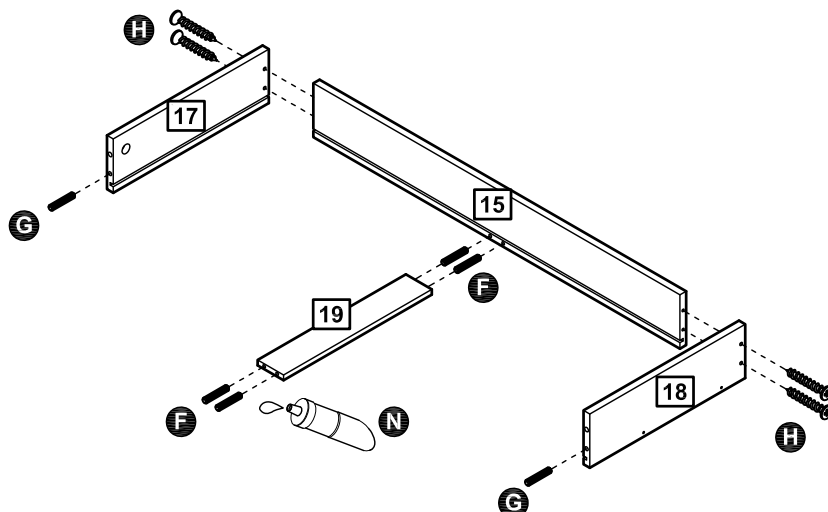
Fitting the drawer

a: Use screws **H** to fix drawer left **17** and drawer right **18** onto the drawer back **15** together.

Place a small amount of glue **N** into the dowel holes. Use dowels **F** to fix the bottom panel **19** onto the unit.

Insert dowels **G** into left side **17** and right side **18**.

a:

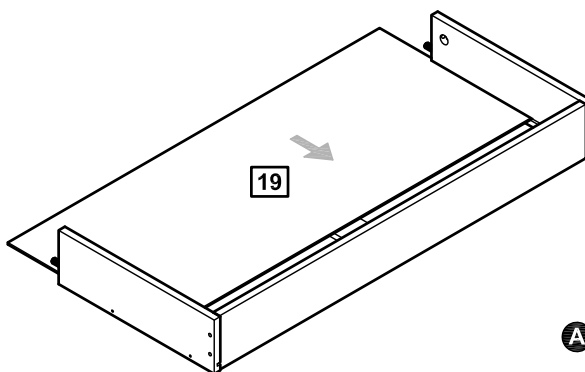


Assembly Instructions

Step 8 - continued

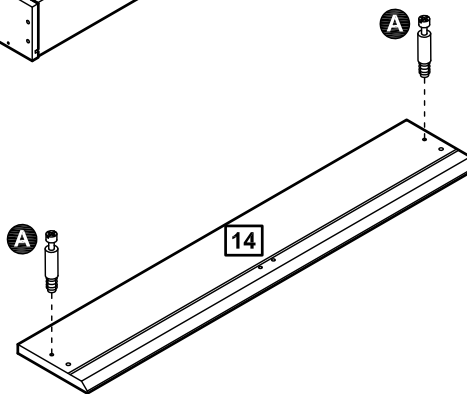
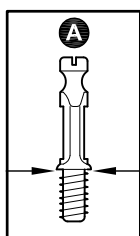
b: Slide drawer bottom **19** into the unit.

b:



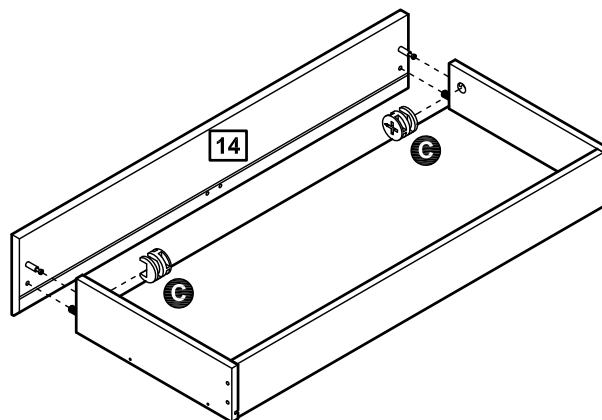
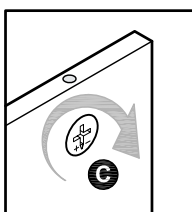
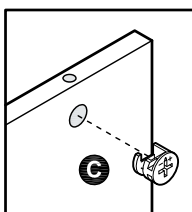
c: Screw the locking pins **A** into the drawer front **14**. Insert locking pins as far as shown.

c:



d: Attach drawer front **14** onto the unit.

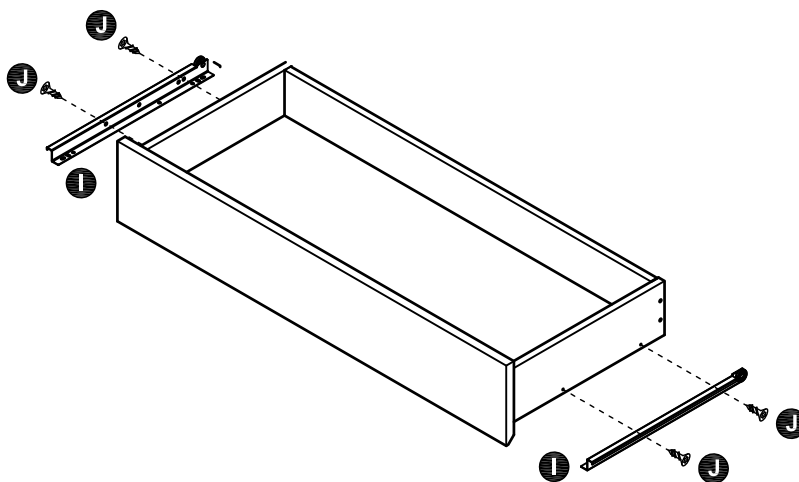
d:



Insert locking nuts **G** into the unit, then use a screwdriver to turn locking nuts clockwise to lock.

e: Attach drawer runners **I** and the drawer unit together with screws **J**.

e:



Assembly Instructions

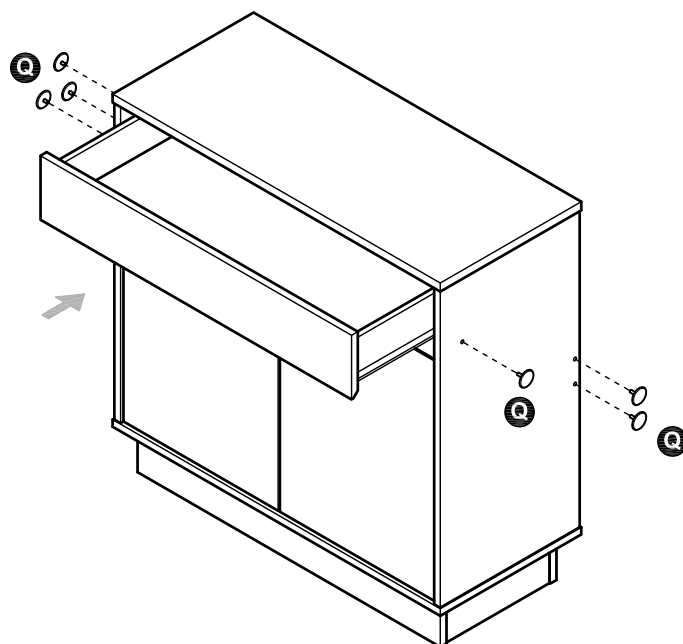
Step 9

Finish the unit

a: Slide the drawer into the unit.

Use plastic plugs **Q** to cover the screw holes.

a:



b: Insert plastic fasteners **L** into the back panel grooves and secure with screws **M**, tighten with a screwdriver.

Use the screw **R** to fix wall straps **S** to the back of the top panel.

Secure the other ends of strap to the wall using appropriate screws, washers and wall plugs for your wall type.

WARNING:

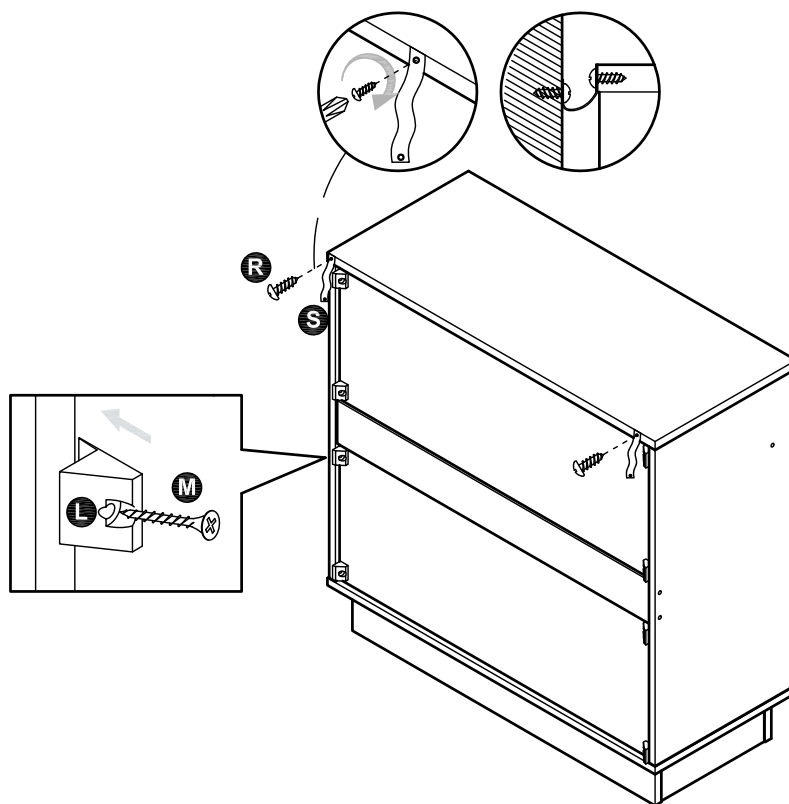
Ensure the area to be drilled is free from hidden electrical wires and water or gas pipes.

NOTE:

Wall fixings are not included. Please source suitable wall fixings for your wall type, if in doubt consult a qualified tradesperson.

Assembly is complete.

b:



If you need help or have damaged or missing parts, call the **Customer Helpline: 08456 400800**

A Guide to - Wall Mounting & Fixings

Important note:

If plastic wall plugs are supplied with your product:



- these are only suitable for use in masonry walls.

If you are in any doubt about the correct wall plugs for your wall, seek professional advice.

Failure of the product due to using incorrect fixings is the responsibility of the installer.



Important: When drilling into walls always check that there are no hidden wires or pipes etc.

Make sure that the screws and wall plugs being used are suitable for supporting your unit. Consult a qualified tradesperson if you are unsure.

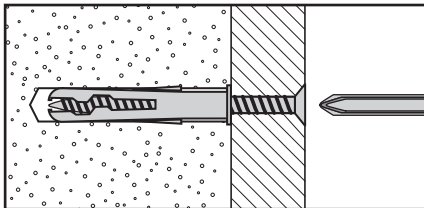
Hints:

- 1: General rule:** ⚠ Always use a larger screw and wall plug if you are not sure.
- 2: Ensure you use the recommended drill bit to match the wall plug and hole size.
- 3: Ensure you drill the hole horizontally, do not force the drill or enlarge the hole.
- 4: Take extra care when drilling high walls, ceilings and ceramic tiles. Ensure wall plugs are inserted beyond the thickness of the ceramic tiles to avoid the tiles splitting or cracking.
- 5: Ensure wall plugs are well fitted and are a tight fit in the drilled hole.

Types of walls

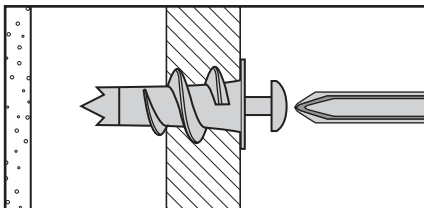
You can use one of the following types of wall plug if your walls are made of brick, breeze block, concrete, stone or wood.

No.1 "General Purpose" wall plug



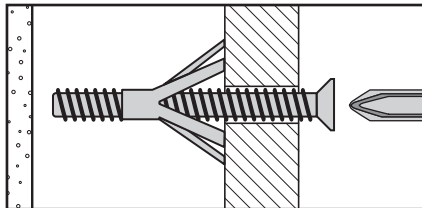
Generally aerated blocks should not be used to support heavy loads, use a specialist fitting in this case. For light loads, general purpose wall plugs can be used.

No.2 "Plasterboard" wall plug



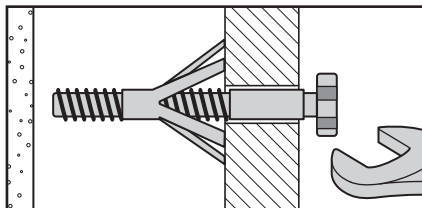
For use when attaching light loads on to plasterboard partitions.

No.3 "Cavity Fixing" wall plug



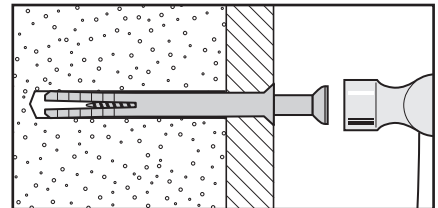
For use with plasterboard partitions or hollow wooden doors.

No.4 "Cavity Fixing-Heavy Duty" wall plug



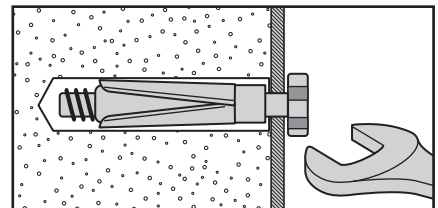
For use when fitting or supporting heavy loads such as shelving, wall cabinets and coat racks.

No.5 "Hammer Fixing" wall plug



For use with walls stuck with plasterboard. The hammer fixing allows it to be fixed to the wall rather than the plasterboard. Always check the fixing is secure to the retaining wall.

No.6 "Shield Anchor" wall plug Heavy loads



For use with heavier loads such as TV & HiFi speakers and satellite dishes etc.



Care & Maintenance

Safety: Always check the fitting and location to ensure your safety in and around the home.

Fitting: From time to time check the fitting to ensure the wall plugs or screws do not become loose.