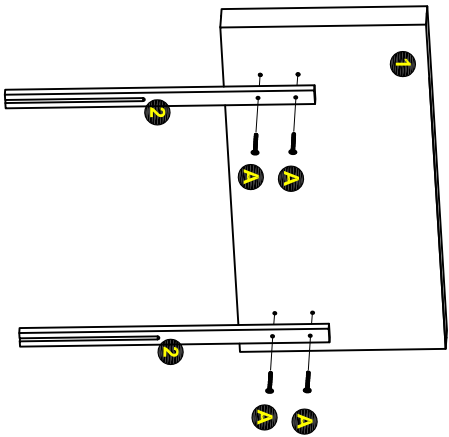


# Assembly Instructions

## Step 1

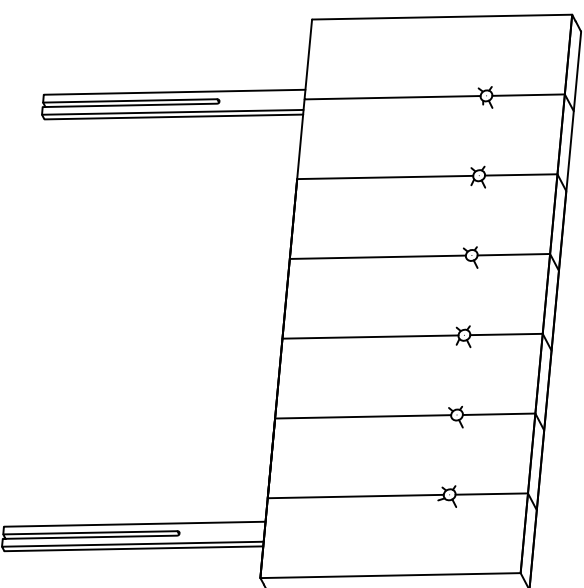
a: Assemble the feet **2** into the back of headboard **1** and tighten with screws **A**.



# Rushden 6FT HBOARD

Assembly Instructions - Please keep for future reference

183 / 7849



### Dimension

Width - 183cm  
Length - 7cm  
Height - 55cm

**Important - Please read these instructions fully before starting assembly**

If you need help or have damaged or missing parts, call the **Customer Helpline:08456 400800**

If you need help or have damaged or missing parts, call the **Customer Helpline:08456 400800**



# Safety and Care Advice

## Important - Please read these instructions fully before starting assembly

- We suggest you speed a short time reading through this leaflet and follow the simple step by step assembly instructions.
- Do not discard any of the packaging until you have checked that you have all the parts and the pack of fittings.
- Assemble this product on a flat surface.

- Assemble all parts loosely before tightening any bolts.



- We do not recommend the use of power drill/drivers for **Inserting screws** as this could damage the unit.
- Only use hand screwdrivers.
- Dispose of all packaging carefully and responsibly.

- Discard all extra fittings and keep fittings out of reach of children.

- Unit weight: 5kgs.

- Retain Assembly Instructions for future reference.

## Warnings

- This product should only be used on firm, level ground.

- Do not use any abrasive materials when cleaning.

- From time to time check that there are no loose bolts on this unit.

## Care and maintenance

- Please clean the table surface using either damp (not wet) cloth and a mild domestic soap solution or by using a appropriate polish.

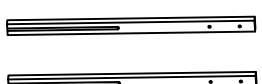
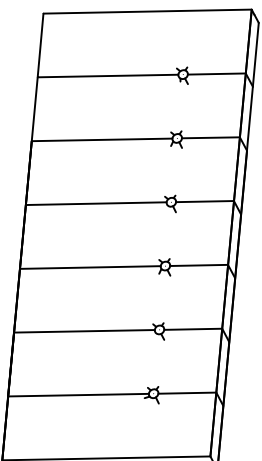
- Do not use any abrasive materials when cleaning.

- From time to time check that there are no loose bolts on this unit.

# Components - Parts

If you have damaged or missing components, call the **Customer Helpline: 08456 400800**

## Please check you have all the parts listed below



- 1 Headboard (183 x 55 x 7)

- 2 Feet x 2 (82 x 4.5 x 2.2)

# Components - Fittings

## Please check you have all the fittings listed below

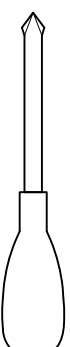
**Note:** the quantities below are the correct amount to complete the assembly. In some cases more fittings may be supplied than are required.

**A**

M6x60mm Bolt x 4



## Tools required



Screwdriver

If you need help or have damaged or missing parts, call the **Customer Helpline: 08456 400800**

**Note:** if required the next page can be cut out and used as reference throughout the assembly. Keep this page with these instructions for future reference.