

# Assembly Instructions

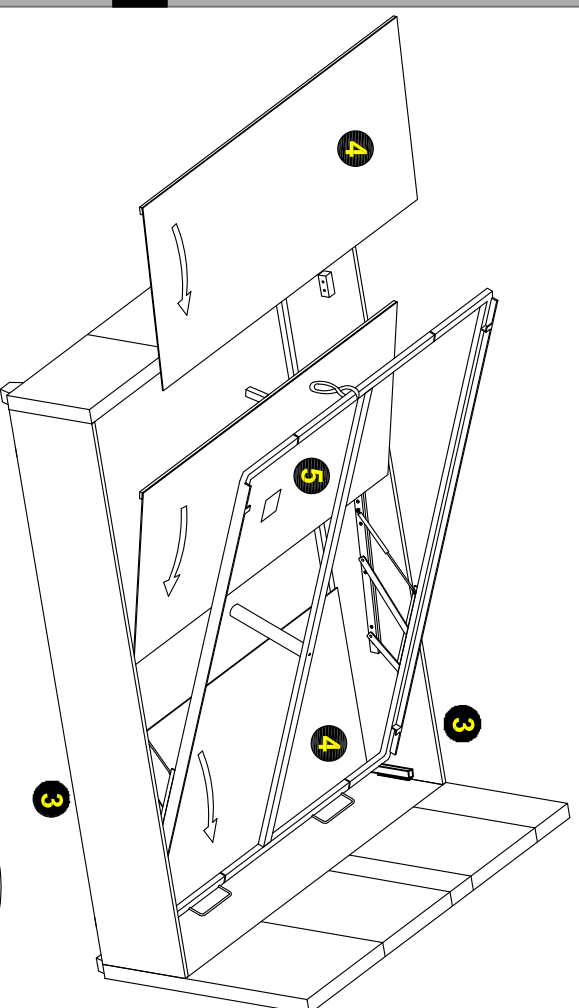
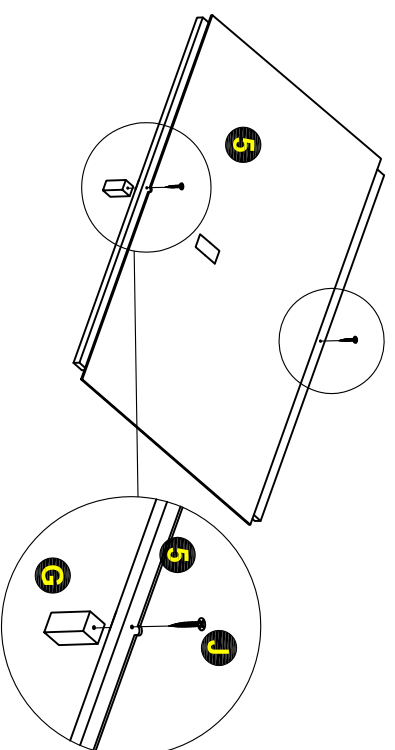
## Step 8

### Assembling the bed box

a: Insert Legs **G** into Hardboard Central Panel **5** and secure tightly to right, using Screws **J**.

b: Place one Hardboard Side Panel **4** near the Headboard **1** then the Central Hardboard Panel **5** further.

Then place the second Hardboard Side Panel **4** near the Footboard **2**.



## Step 9

### Attaching slats

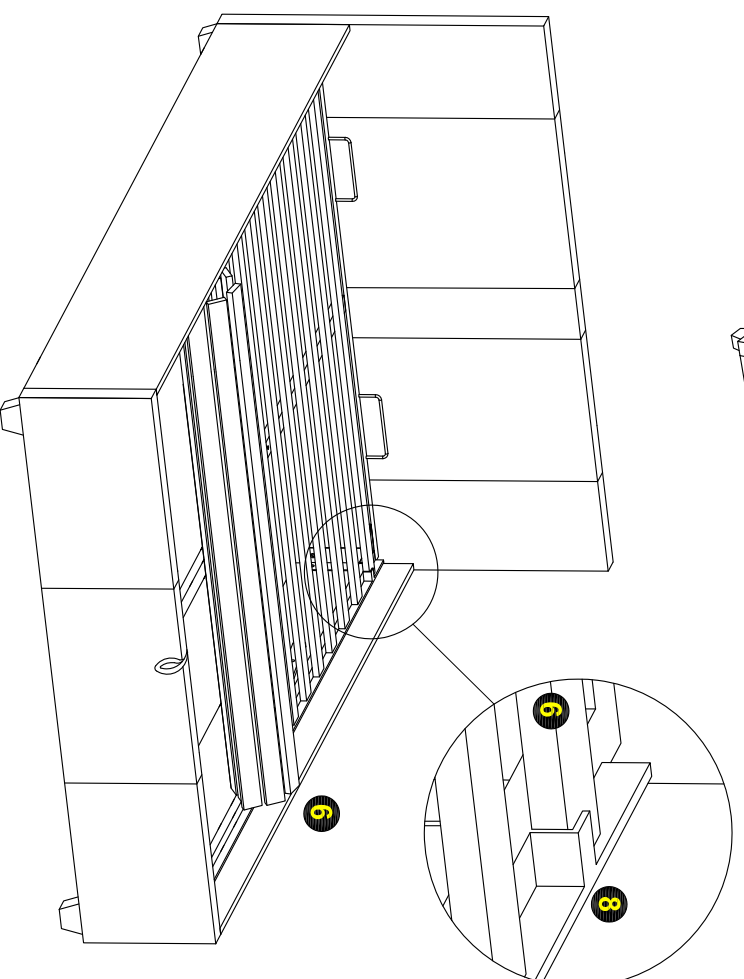
For this stage requires two people.

a: Roll the slats over the metal frame, then place the end slat after the metal block attached to the Side Rails **8**.

Slats to be rolled out with staples on the underside.

Repeat operation for all 4 corners.

Assembly is now complete.

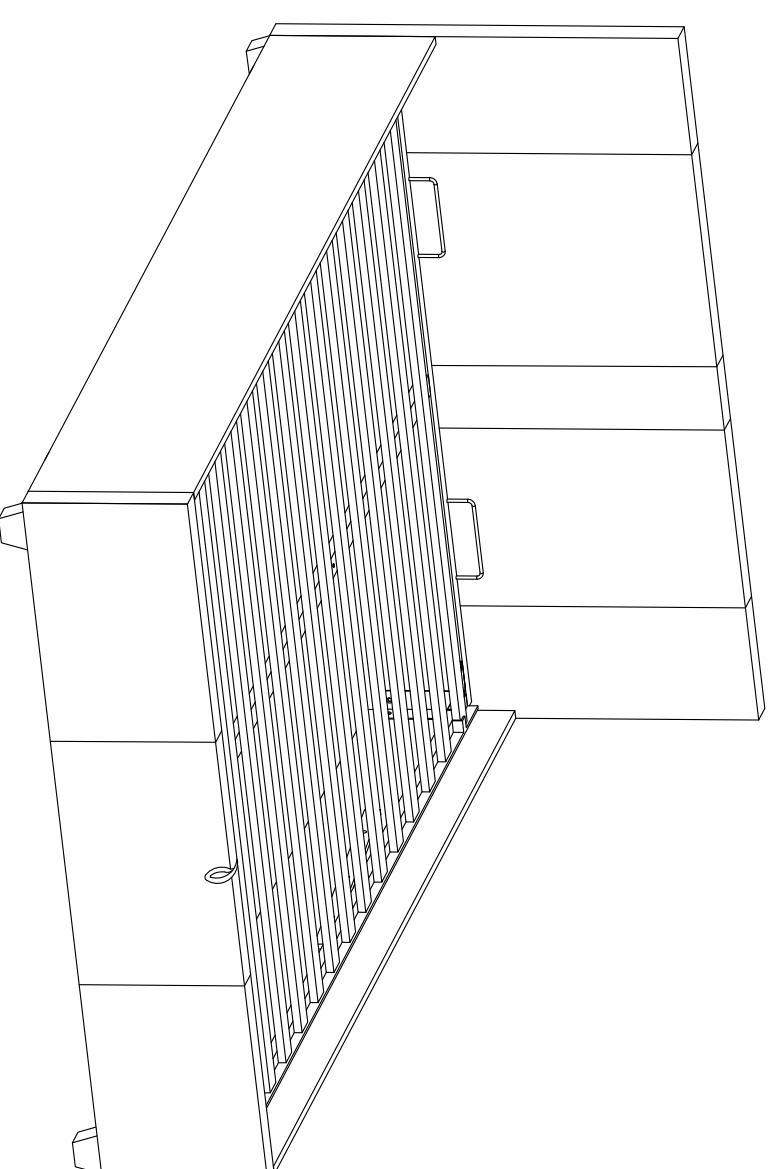


# Ophelia Storage 4FT6

Assembly Instructions - Please keep for future reference

Cat.no 171 / 2720

Cat.no 181 / 6341



### Dimension

Width - 143cm  
Length - 206cm  
Height - 86cm

**Important - Please read these instructions fully before starting assembly**

If you need help or have damaged or missing parts, call the Customer Helpline: 08456 400800

If you need help or have damaged or missing parts, call the Customer Helpline: 08456 400800

# ⚠ Safety and Care Advice

## Important - Please read these instructions fully before starting assembly

- Check you have all the components and tools listed on pages 2 and 3.
- Remove all fittings from the plastic bags and separate them into their groups.
- Keep children and animals away from the work area, small parts could choke if swallowed.
- Make sure you have enough space to layout the parts before starting.
- Do not stand or put weight on the product, this could cause damage.
- Assemble the item as close to its final position (in the same room) as possible.
- Assemble on a soft level surface to avoid damaging the unit or your floor.
- Parts of the assembly will be easier with 2 people.
- Do not tighten all bolts until bed is fully assembled.
- We do not recommend the use of power drill/drivers for **inserting screws** as this could damage the unit. Only use hand screwdrivers.
- Dispose of all packaging carefully and responsibly.



We do not recommend the use of power drill/drivers for **inserting screws** as this could damage the unit. Only use hand screwdrivers.

## Care and maintenance

- Only clean using a damp cloth and mild detergent, do not use bleach or abrasive cleaners.
- From time to time check that there are no loose bolts on this unit.
- This product should not be discarded with household waste. Take to your local authority waste disposal centre.

# Assembly Instructions

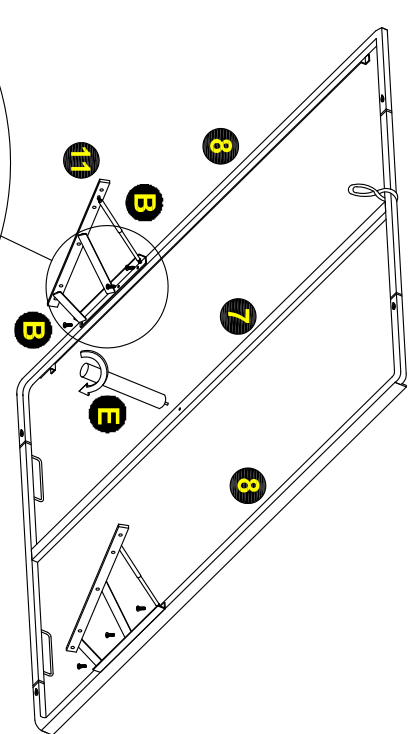
## Step 6

### Attaching the mechanism

**a:** Fix the Mechanism **11** to the Metal Frame by inserting **3** bolts **B** through the Mechanism, then through the Side Rail **8** and secure tightly to right.

Make the same for the other side.

**b:** Insert Support Leg **E** through the Middle Rail **7** and secure tightly to right.



## Step 7

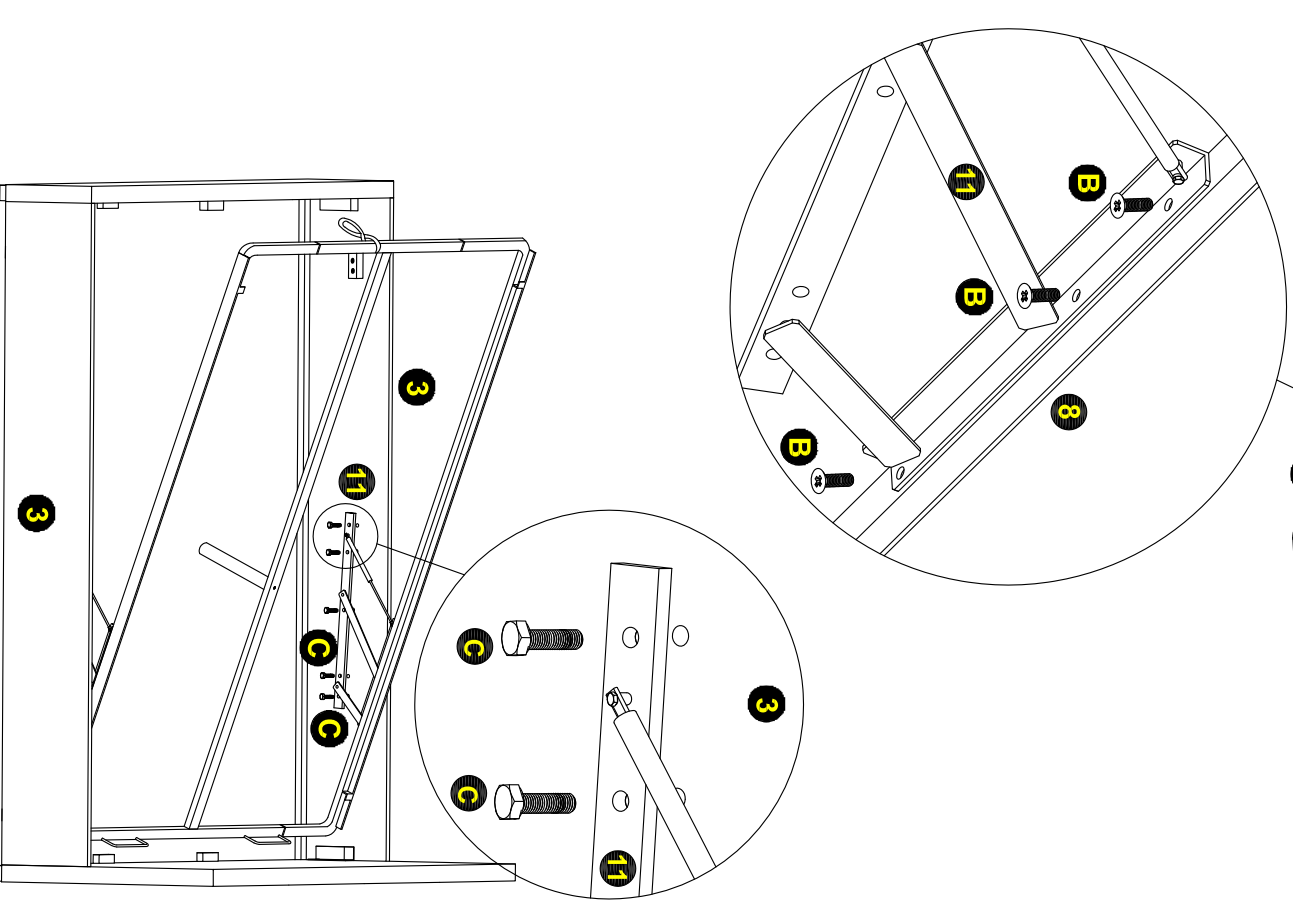
### Attaching the mechanism to the side rails

**a:** Insert 5 Bolts **C** through the Mechanism **11** then through the Side Rail **3** and secure tightly to right.

**For this stage requires two people.**

Make the same for the other side.

**Now fully tighten all bolts**





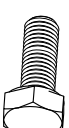
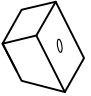
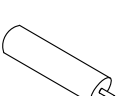
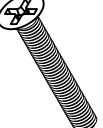
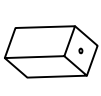
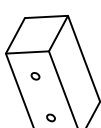

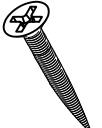
**Note:** if required the next page can be cut out and used as reference throughout the assembly. Keep this page with these instructions for future reference.

If you need help or have damaged or missing parts, call the **Customer Helpline: 08456 400800**

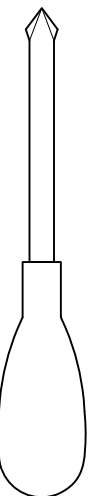
# Components - Fittings

**Please check you have all the fittings listed below**

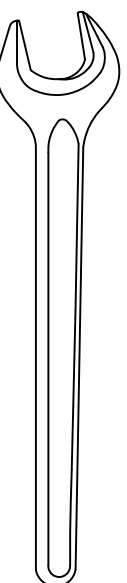
**Note:** the quantities below are the correct amount to complete the assembly. In some cases more fittings may be supplied than are required.

<b>A</b> M6x16 mm Bolt x 4 	<b>B</b> M6x20 mm Bolt x 6 	<b>C</b> M8x35 mm Bolt x 10 
<b>D</b> Leg x 4 	<b>E</b> Support leg x 1 	<b>F</b> M8x50 mm Bolt x 4 
<b>G</b> Leg x 2 	<b>H</b> Stop mattress x 3 	<b>I</b> M6x80 mm Bolt x 6 
<b>J</b> 3.5x30 mm Screw x 2 		

## Tools required



Screwdriver



Key hexagonal 13



**Ruler - Use this ruler to help correctly identify the bolts**

# Assembly Instructions

## Step 1

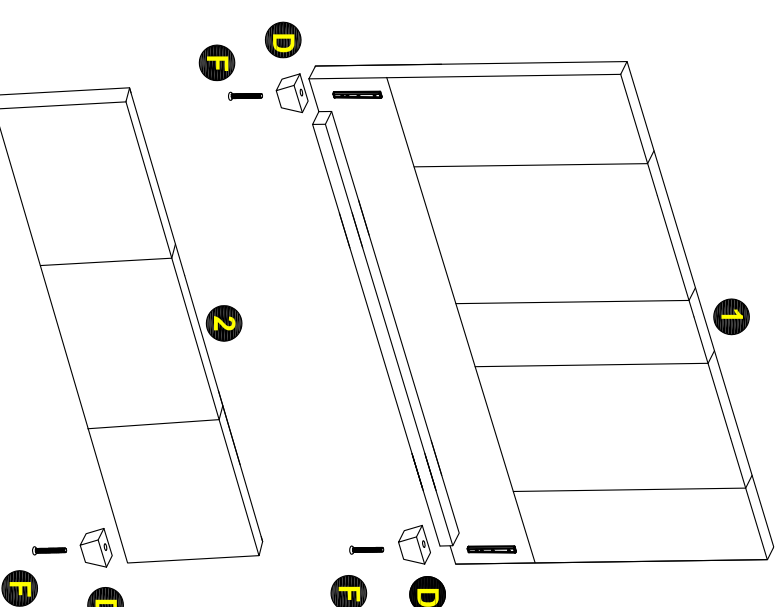
### Attaching legs

**a:** Insert Legs **D** into Headboard **1** and secure tightly to right, using Bolt **F**.

Repeat this operation for both legs.

**b:** Insert Legs **D** into Footboard **2** and secure tightly to right, using Bolt **F**.

Repeat this operation for both legs.



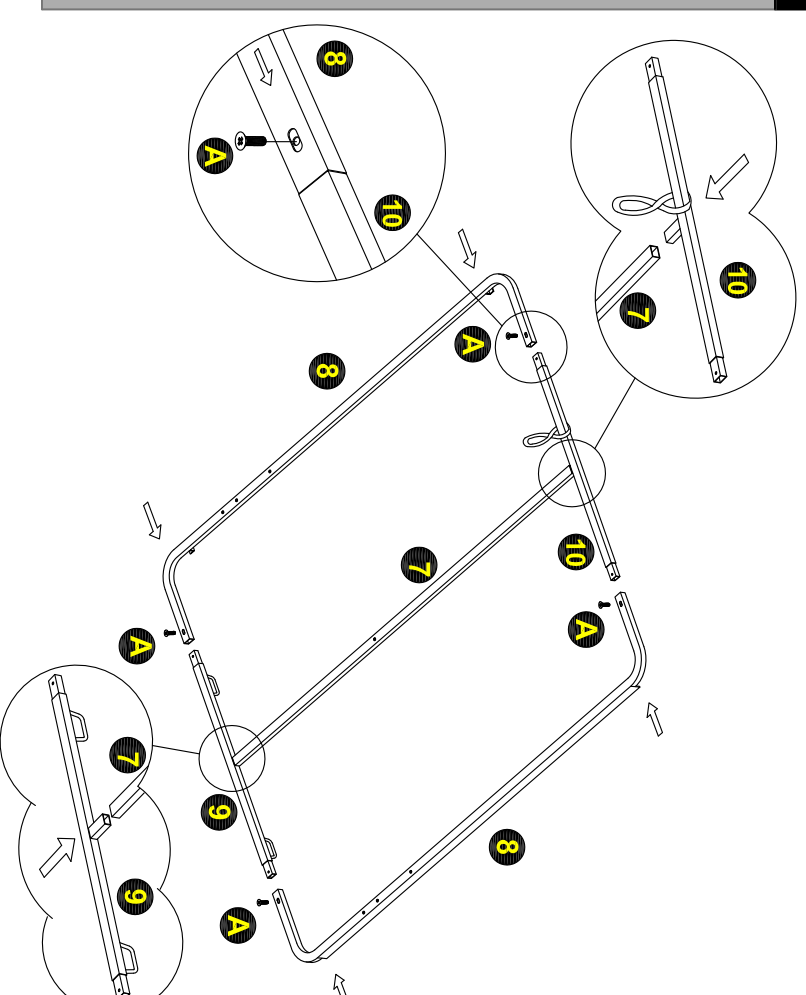
## Step 2

### Metal frame assembly

**a:** Insert Middle Rail **7** into the Front Rail **10** and Back Rail **9**.

Connect the Side **8** to the Front Rail **10** and Back Rail **9** with the aid of Screws **A**.

The Middle Rails **7** and Side Rails **8** must be positioned with the holes closer to the Back Rail **9**.



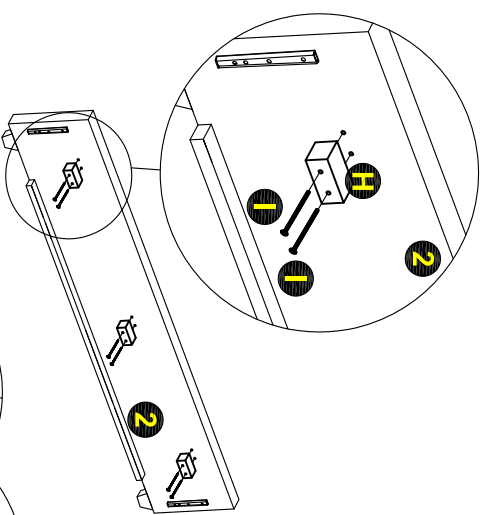
If you need help or have damaged or missing parts, call the Customer Helpline: 08456 400800

## Step 3

### Attaching stop mattress

a: Insert Stop mattress **H** into Footboard **2** and secure tightly to right, using Bolts **1**.

Repeat for the other two.

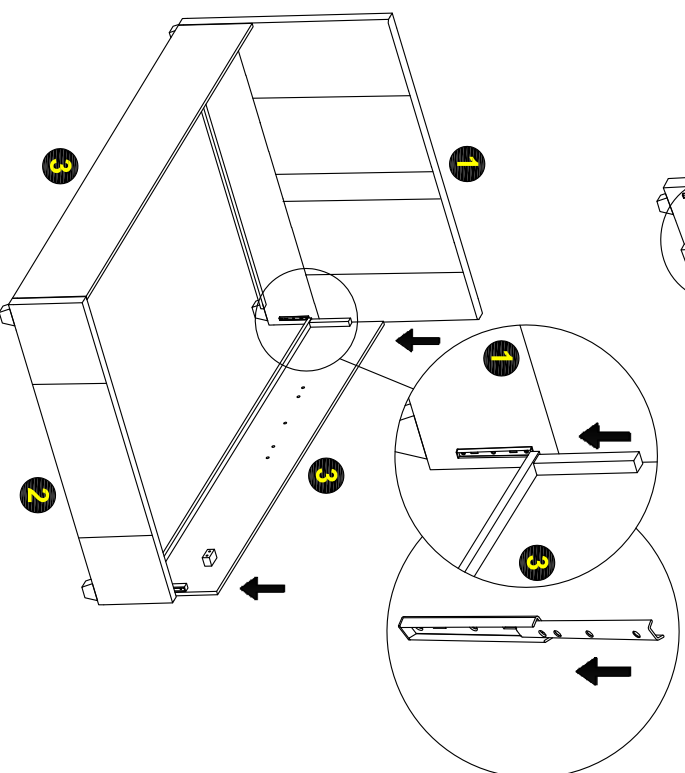


## Step 4

### Attaching side rails

a: Connect the Side Rail **3** with the Headboard **1** and Footboard **2** as seen in the picture.

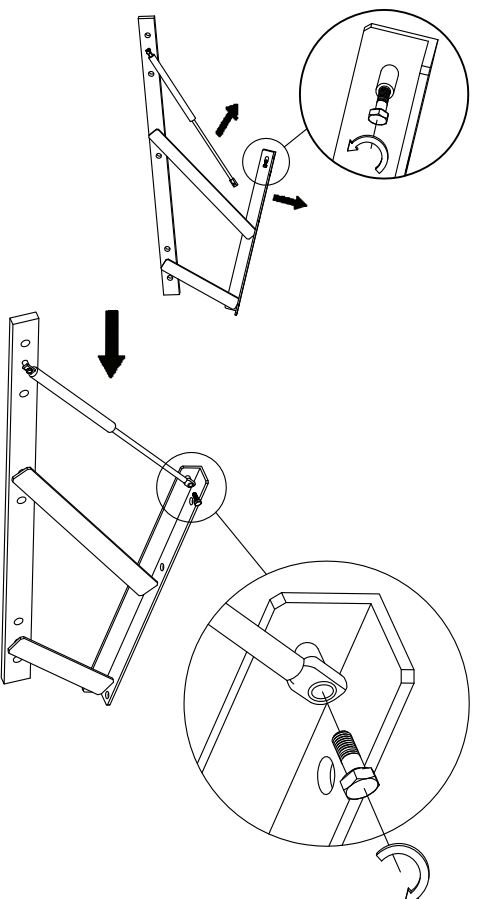
Make the same for the other side.



## Step 5

### Mechanism assembly

a: Remove the screw and place the piston over the hole, then fix the screw and rotate to right, as seen in the picture.



## Please check you have all the parts listed below

- 1** Headboard (143x78cm)
- 2** Footboard (143x33cm)
- 3** Side Rail x 2 (194x33cm)
- 4** Hardboard Side Panel x 2 (138x64,7cm)
- 5** Hardboard Central Panel x 1 (138x67cm)
- 6** Slats (133,5x43cm)
- 7** Middle Rail x 1 (184x3cm)
- 8** Side Rail x 2 (190x30cm)
- 9** Back Rail x 1 (86,5x9cm)
- 10** Front Rail x 1 (86,5x9cm)
- 11** Metal Mechanism x 2 (62x9cm)

If you need help or have damaged or missing parts, call the **Customer Helpline: 08456 400800**