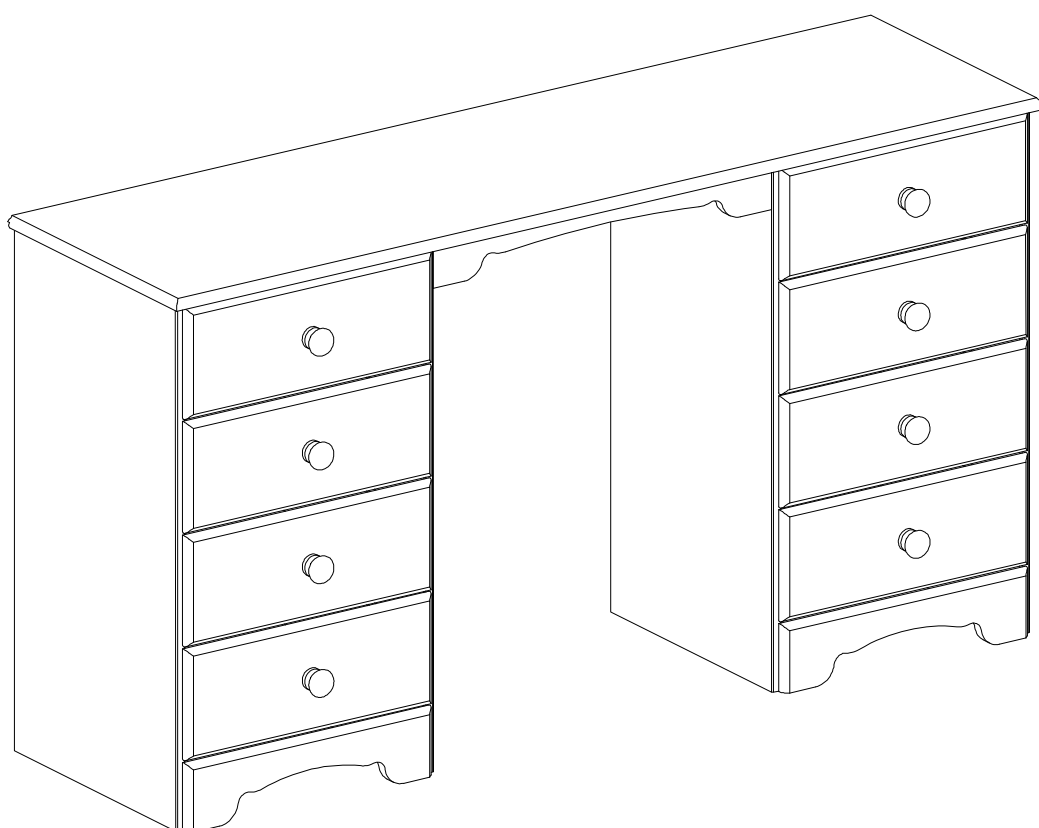


# Nordic - Dressing table

Assembly Instructions - Please keep for future reference

1816293



## Dimensions

Width : 139,2 cm

Depth : 39,7 cm

Height : 75,4 cm

**Important - Please read these instructions fully before starting assembly**

If you need help or have damaged or missing parts, call the Customer Helpline: 0845 640 30 30



# Safety and Care Advice

**Important - Please read these instructions fully before starting assembly**

- Check you have all the components and tools listed on pages 3 and 4.
- Remove all fittings from the plastic bags and separate them into their groups.
- Keep children and animals away from the work area, small parts could choke if swallowed.
- Make sure you have enough space to layout the parts before starting.

- Do not stand or put weight on the product, this could cause damage.
- Assemble the item as close to its final position (in the same room) as possible.
- Assemble on a soft level surface to avoid damaging the unit or your floor.
- Parts of the assembly will be easier with 2 people.



- We do not recommend the use of power drill/drivers **for inserting screws**, as this could damage the unit. Only use hand screwdrivers.
- Dispose of all packaging carefully and responsibly.

## Care and maintenance

- Only clean using a damp cloth and mild detergent, do not use bleach or abrasive cleaners. °
- From time to time check that there are no loose screws on this unit.
- This product should not be discarded with household waste. Take to your local authority waste disposal centre.

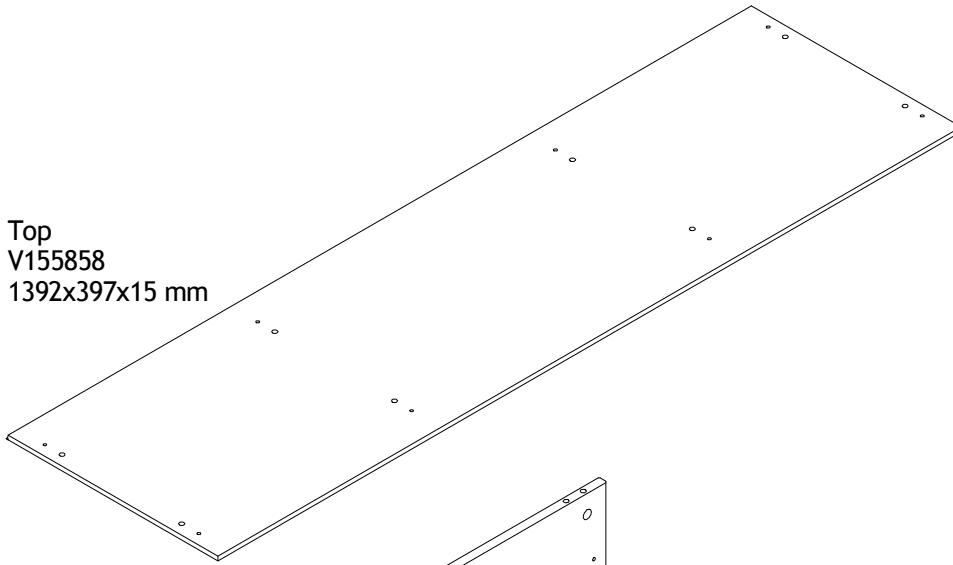
**Note:** if required the next page can be cut out and used as reference throughout the assembly. Keep this page with these instructions for future reference.

# Components - Panels

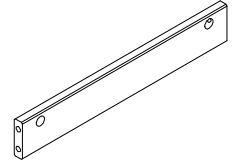
If you have damaged or missing components, call the **Argos Customer Helpline: 0845 640 30 30**

Please check you have all the panels listed below

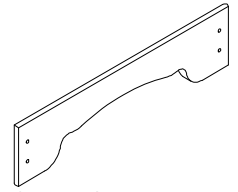
**1** Top  
V155858  
1392x397x15 mm



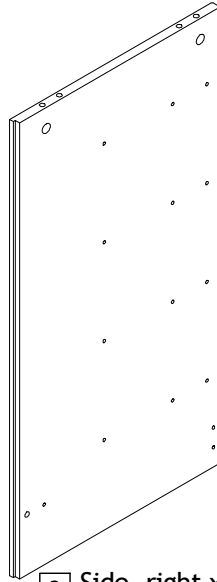
**4** Plinth, back x2  
P155865  
383x60x15 mm



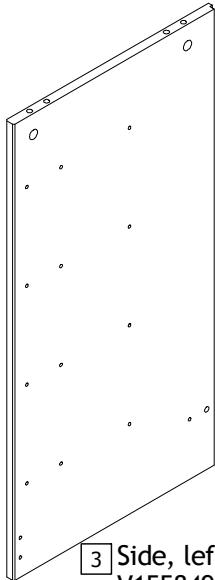
**5** Plinth, front x2  
V155802  
395x96x15 mm



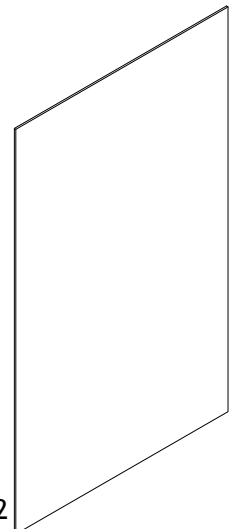
**2** Side, right x2  
V155848  
739x379x15 mm x2



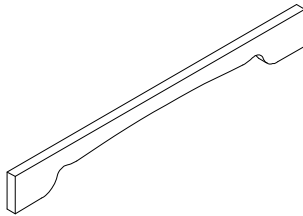
**3** Side, left x2  
V155849  
739x379x15 mm x2



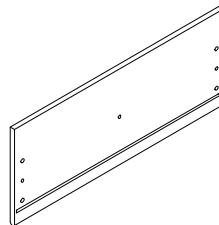
**6** Back x2  
NM415859  
656x397x3 mm



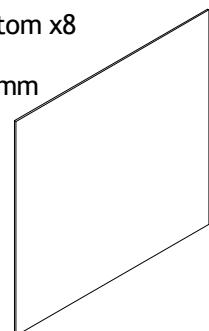
**7** Rail  
V155816  
542x60x15 mm



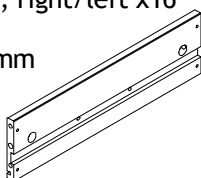
**8** Front x8  
V155811  
395x157x15 mm



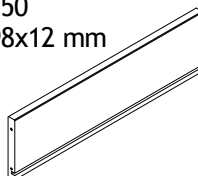
**11** Drawer bottom x8  
NM415850  
361x347x3 mm



**9** Drawer side, right/left x16  
S120653  
350x98x12 mm



**10** Drawer back x8  
S120650  
351x98x12 mm

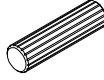
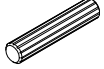

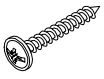

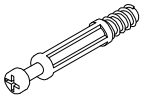


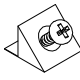
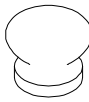
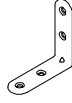



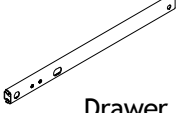
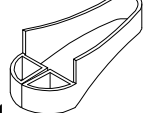


# Components - Fittings

If you have damaged or missing components, call the **Argos Customer Helpline: 0845 640 30 30**

Please check you have all the panels listed below

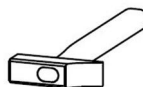
**Note:** The quantities below are the correct amount to complete the assembly. In some cases more fittings may be supplied than are required.

<p><b>A</b></p>  <p>BA10390 ø8x30 mm Wooden dowel x12</p>	<p><b>B</b></p>  <p>BA10400 ø6x30 mm Wooden dowel x32</p>	<p><b>T</b></p>  <p>BA10050 ø3,5x15 mm x8</p>
<p><b>R</b></p>  <p>BA10170 ø4,0x35 mm x40</p>	<p><b>C</b></p>  <p>BA10590 ø15x9,5 mm Cam x28</p>	<p><b>D</b></p>  <p>BA10603 ø5/11x34 mm Bolt x28</p>
<p><b>i</b></p>  <p>BA10025 ø1,2x20 mm Nail x50</p>	<p><b>V</b></p>  <p>BA10801 Angle20x20x2 x8</p>	<p><b>F</b></p>  <p>BA10833 Back fitting W. 15x15x10 mm screw x16</p>
<p><b>G</b></p>  <p>BA10468 ø40x30 mm Wooden knob x8</p>	<p><b>W</b></p>  <p>BA10815 50x50x2mm x2</p>	<p><b>H</b></p>  <p>BA10191 M4x9 mm screw x16</p>
<p><b>K</b></p>  <p>BA10270 ø5,8x8 mm screw x48</p>	<p><b>E</b></p>  <p>BA10240 ø6,1x11,5 mm screw x16</p>	<p><b>S</b></p>  <p>B14359 17x246 mm Drawer runner x16</p>
<p><b>Yd</b></p>  <p>Ba10688 Nail holder x1</p>		

## Tools required



Flatblade screwdriver  
(Medium)



Hammer



Phillips screwdriver  
(Medium & large)

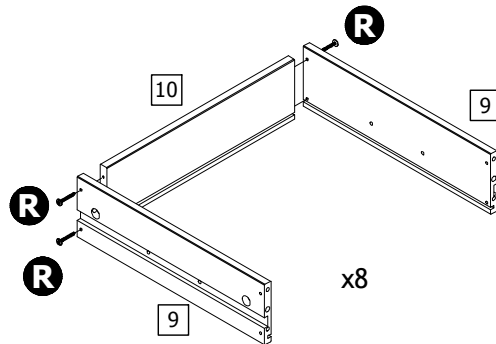
Ruler - Use this ruler to help correctly identify the screws



# Assembly Instructions

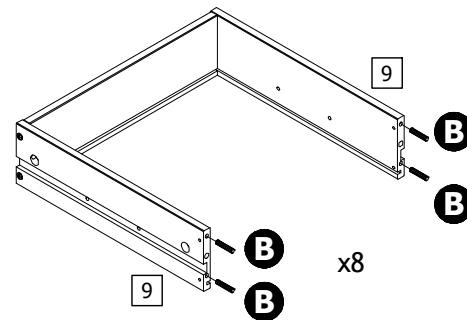
## Step 1

Fix the drawer sides 9 to the drawer backs 10 as shown, using screws R.



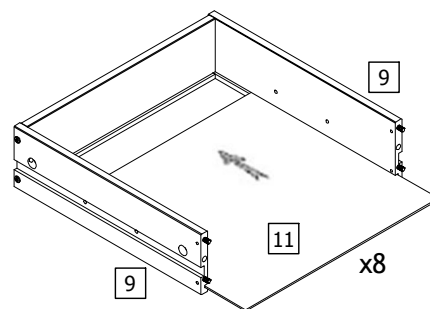
## Step 2

Knock the dowels B into the holes indicated on the drawer sides 9 using a small hammer.



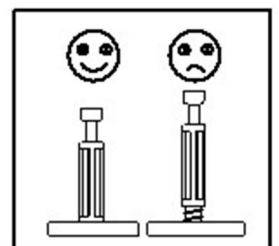
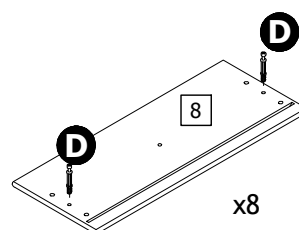
## Step 3

Slide the drawer bottoms 11 into the drawer sides 9.



## Step 4

screw the bolts D into the holes indicated on the drawer fronts 8.



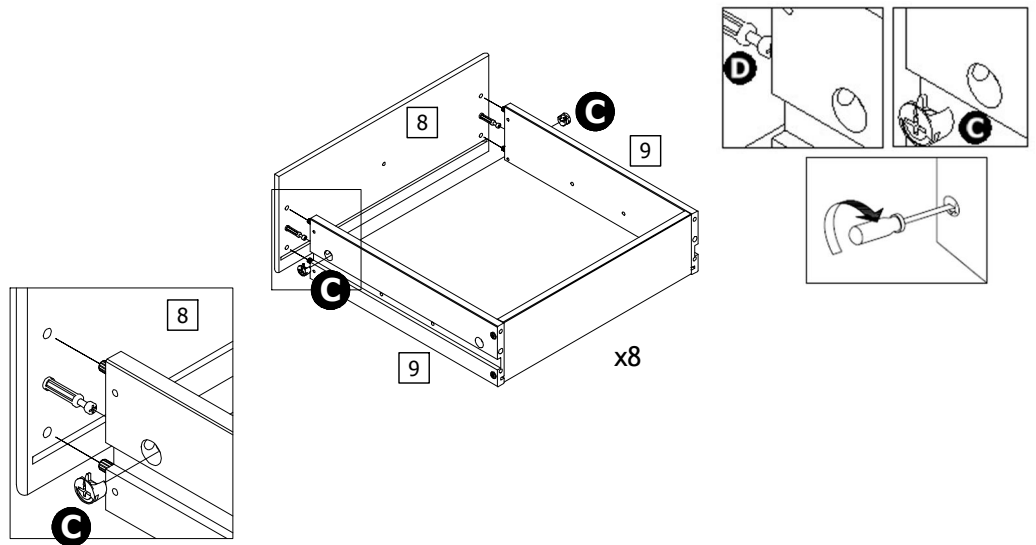
# Assembly Instructions

## Step 5

Push the drawer fronts 8 onto the drawer sides 9 as shown.

Push the cams C into the holes indicated. Arrow pointing towards the front.

Turn the cams C to the right to fix the fronts 8.



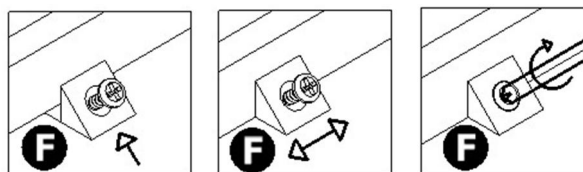
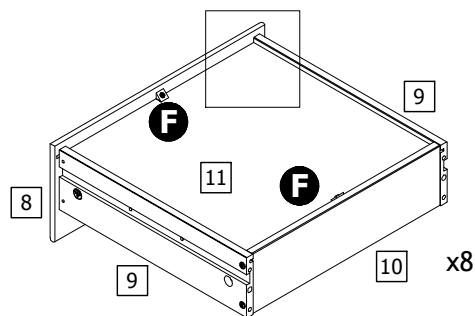
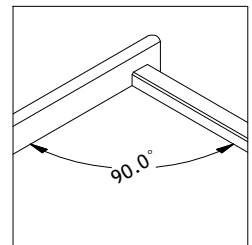
## Step 6



**Important!** Make sure the angle between the drawer fronts 8 the drawer sides 9 is 90° before the drawer bottoms 11 is fixed.

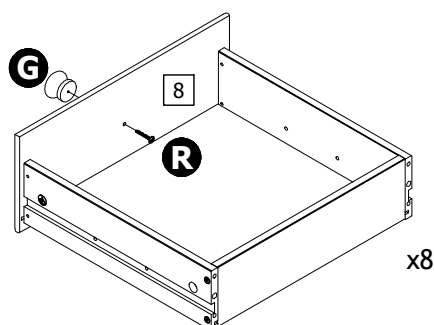
Fix the drawer bottoms 11 to the drawer backs 10 and the drawer fronts 8 using F.

To adjust the angle between the drawer sides and the drawer fronts push the fitting F sideways. See details.



## Step 7

Fix the Wooden knobs G to the drawer fronts 8 using screws R.



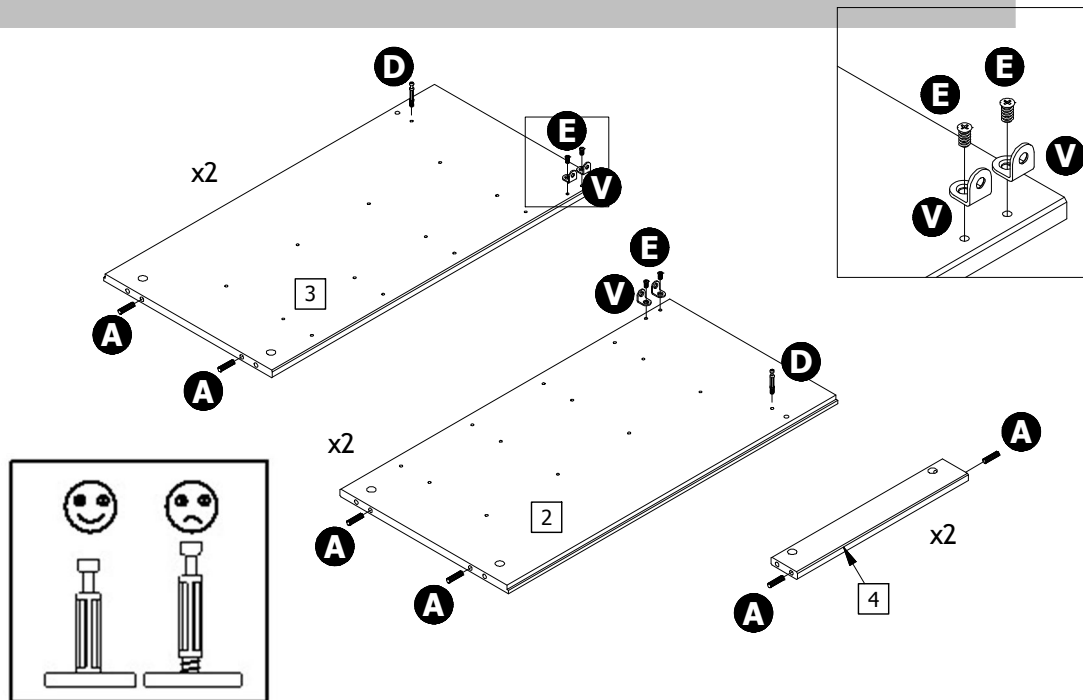
# Assembly Instructions

## Step 8

Screw the bolts D into the holes indicated on the sides 2 and 3.

Fix the angle V to the sides 2 and 3 using screws E. Place the angles as shown. See details.

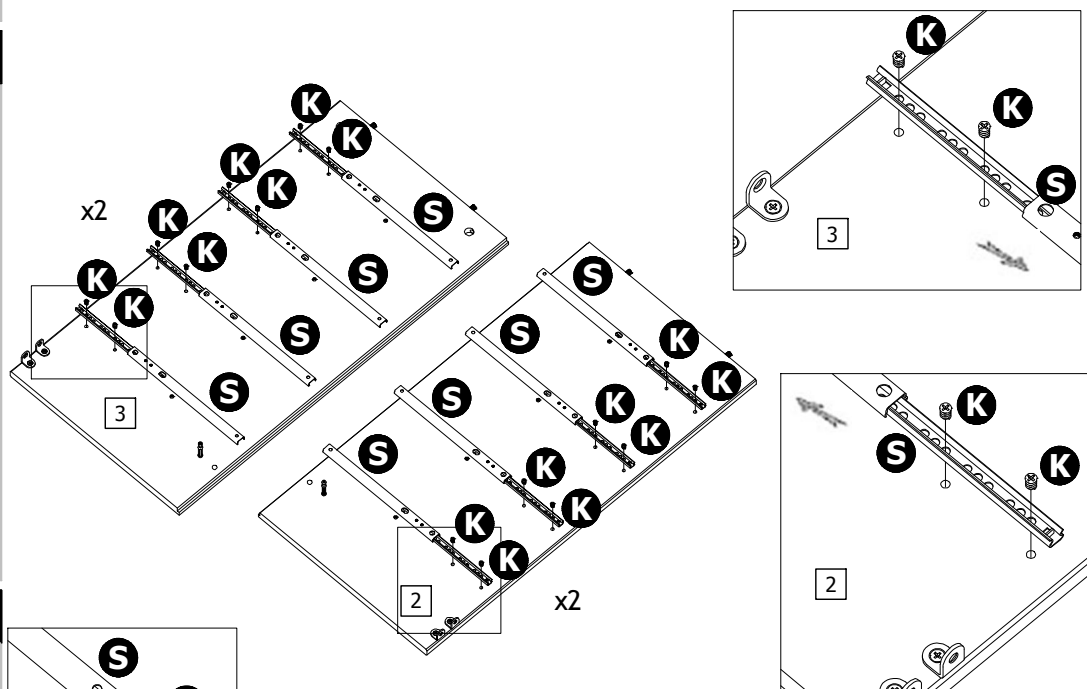
Knock down the dowels A into the holes indicated on the sides 2 and 3 and the back plinth 4 using a small hammer.



## Step 9

Slide the top of the drawer runners S backwards.

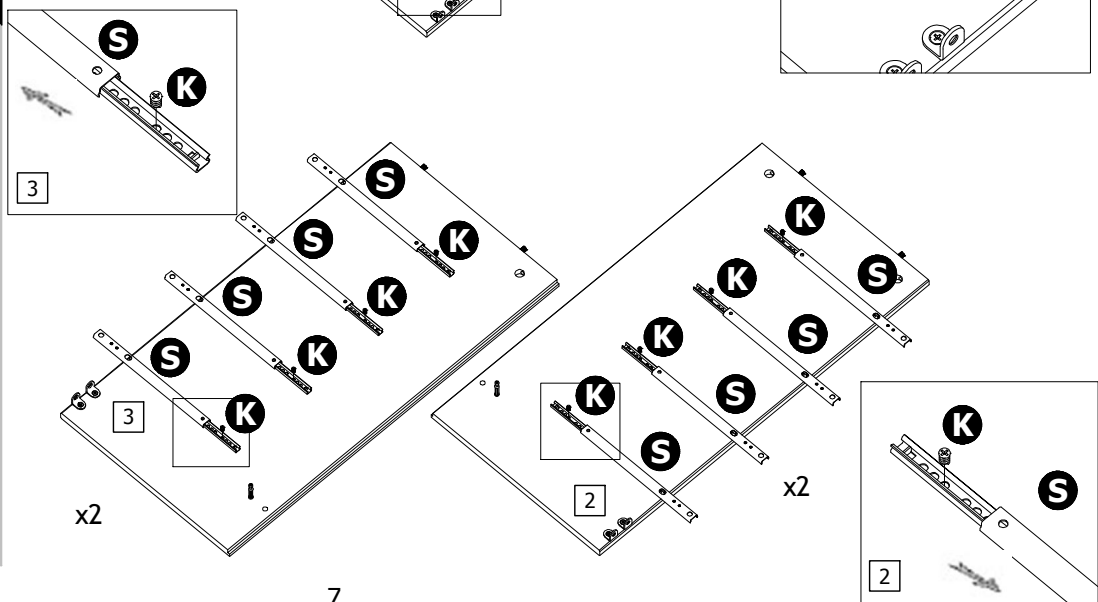
Fix the front end of the drawer runners S to the sides 2 and 3 using screws K through the holes indicated. See details.



## Step 10

Slide the top of the drawer runners S forwards.

Fix the backend of the drawer runners S to the sides 2 and 3 using screws K through the holes indicated. See details.



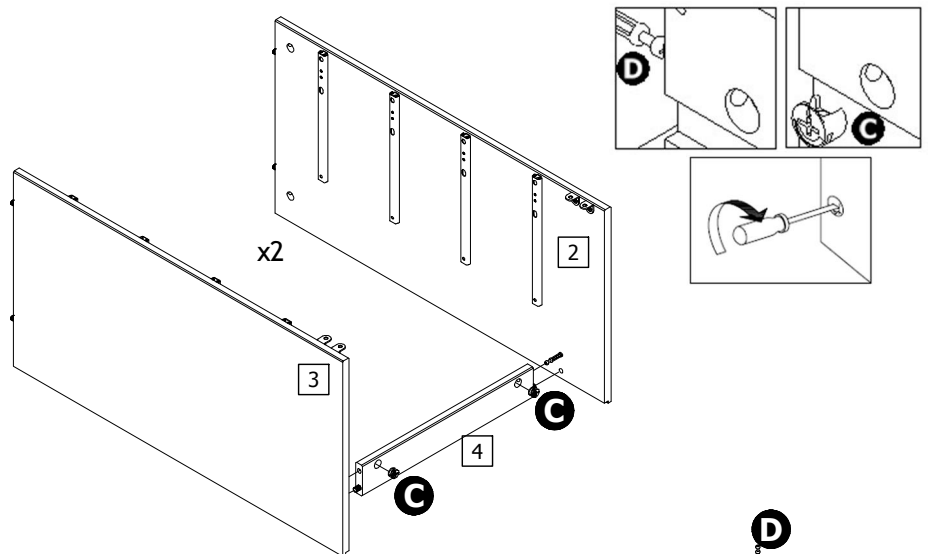
# Assembly Instructions

## Step 11

fix the back plinth 4 to the sides 2 and 3.

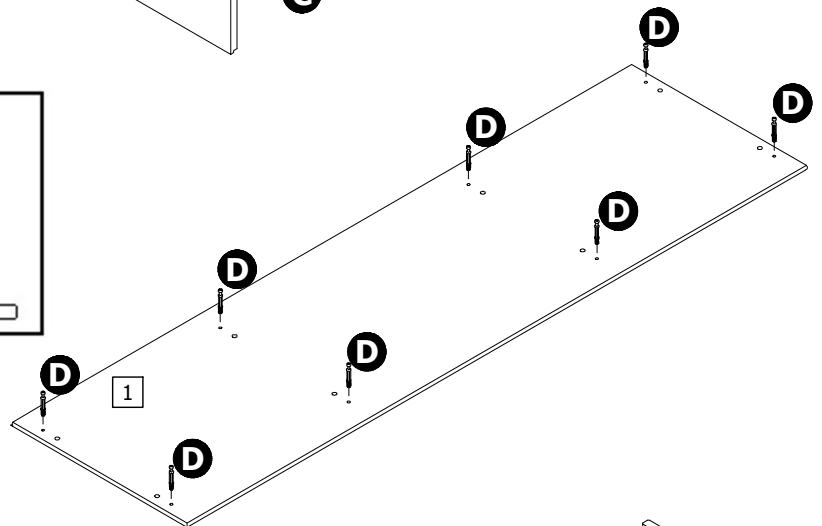
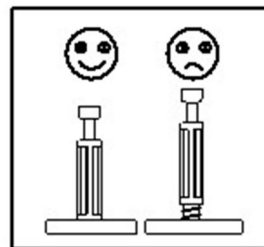
Push cams C into the holes indicated on the back plinth 4.  
Arrow pointing towards sides 2 and 3.

Turn the cams C to the right to fix the sides 2 and 3.



## Step 12

Screw the bolts D into the holes indicated on top 1.

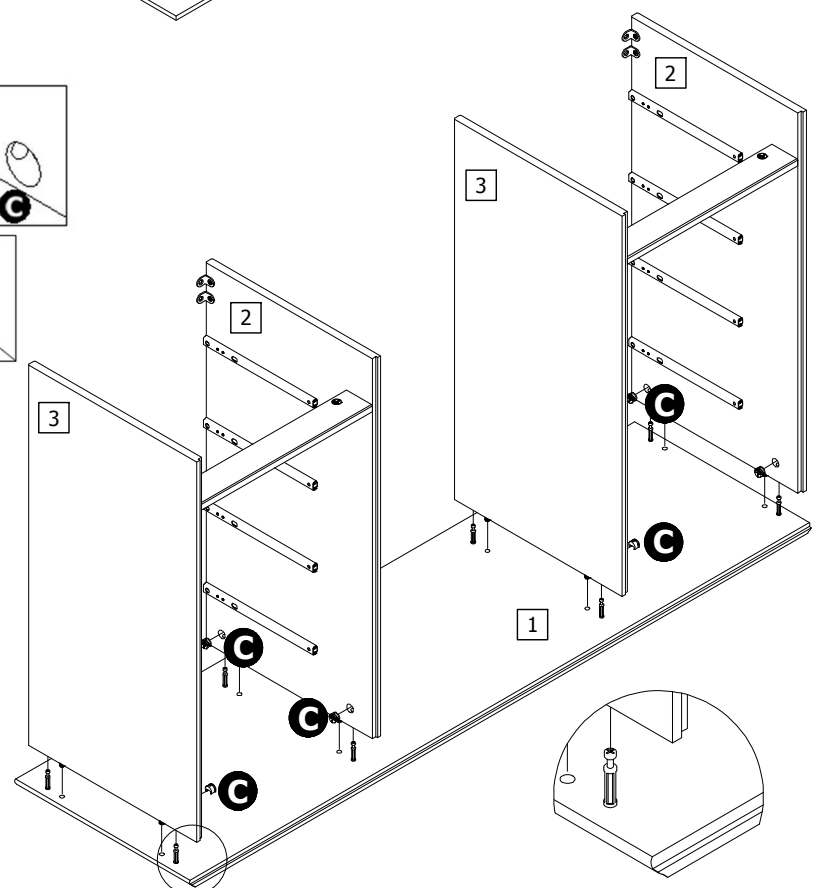
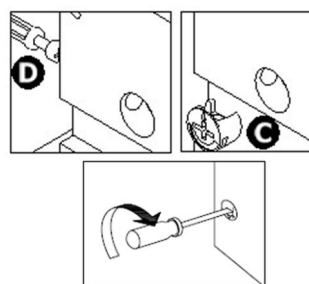


## Step 13

Press the top 1 onto the sides 2 and 3.

Push cams C into the holes indicated on the sides 2 and 3.  
Arrow pointing towards the top 1.

Turn the cams C to the right to fix the top 1.





# Assembly Instructions

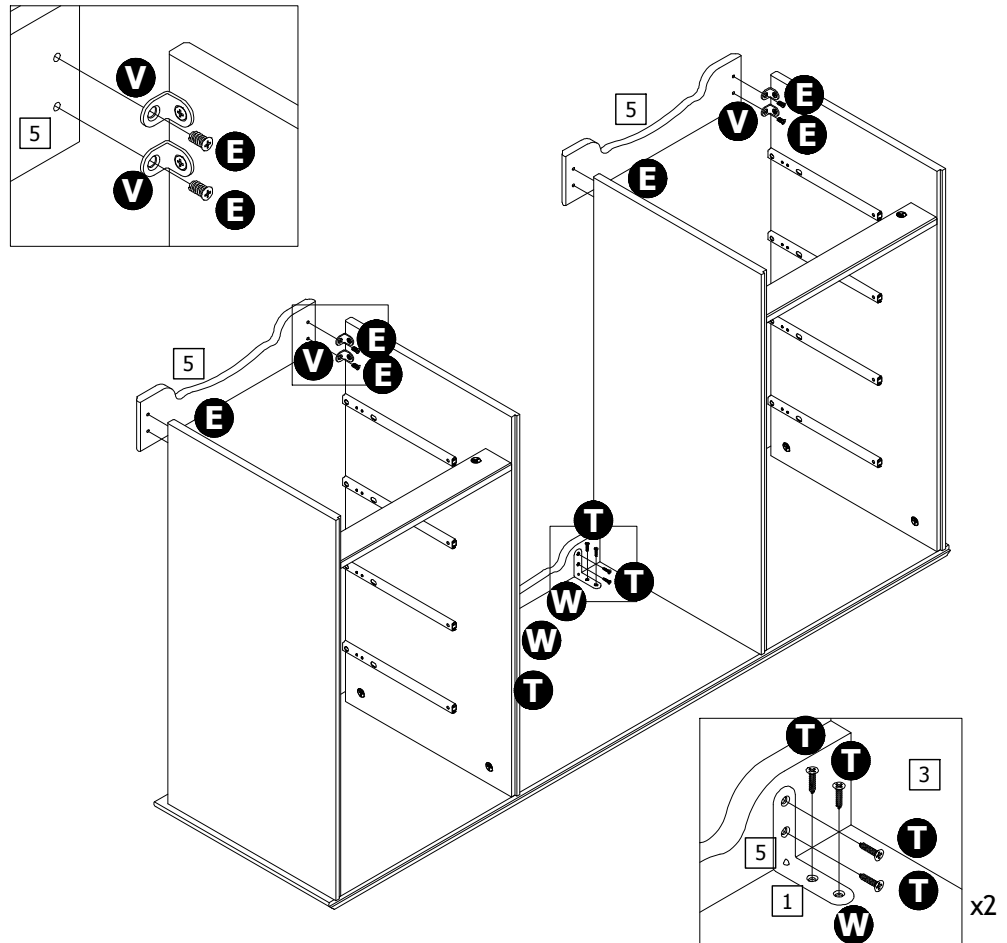
## Step 14

Place the front plinths 5 as shown.

Fix the front plinth 5 to the sides 2 and 3 using screws E into the angles V.

Place the rail 7 as shown.

Fix the rail 7 to the top 1 using screws T, through the angles W, into the holes indicated. See details.



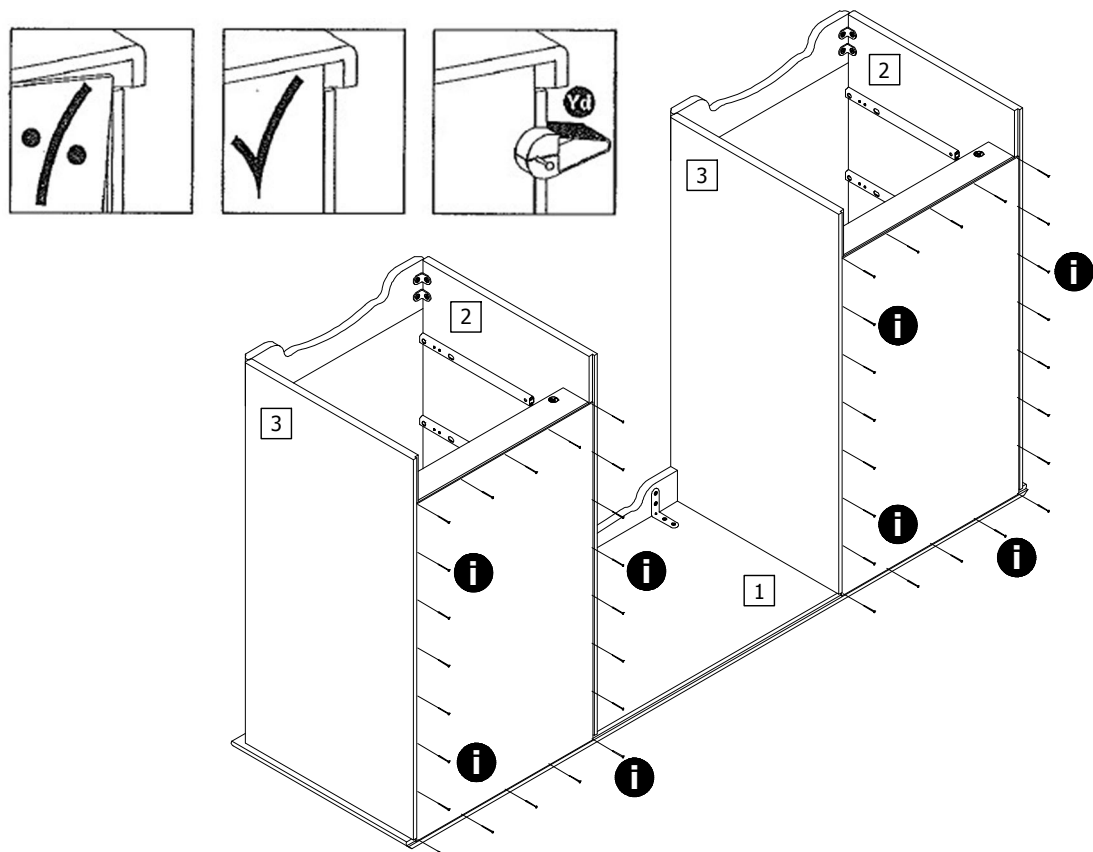
## Step 15

Place the backs 11 into the rebates in the top 1, the sides 2 and 3.

**Important!** Make sure the angle between the top and the sides is 90° when the back is attached.

Fix the backs to the sides, top and bottom using nails i.

Use the nail holder Yd and a small hammer.



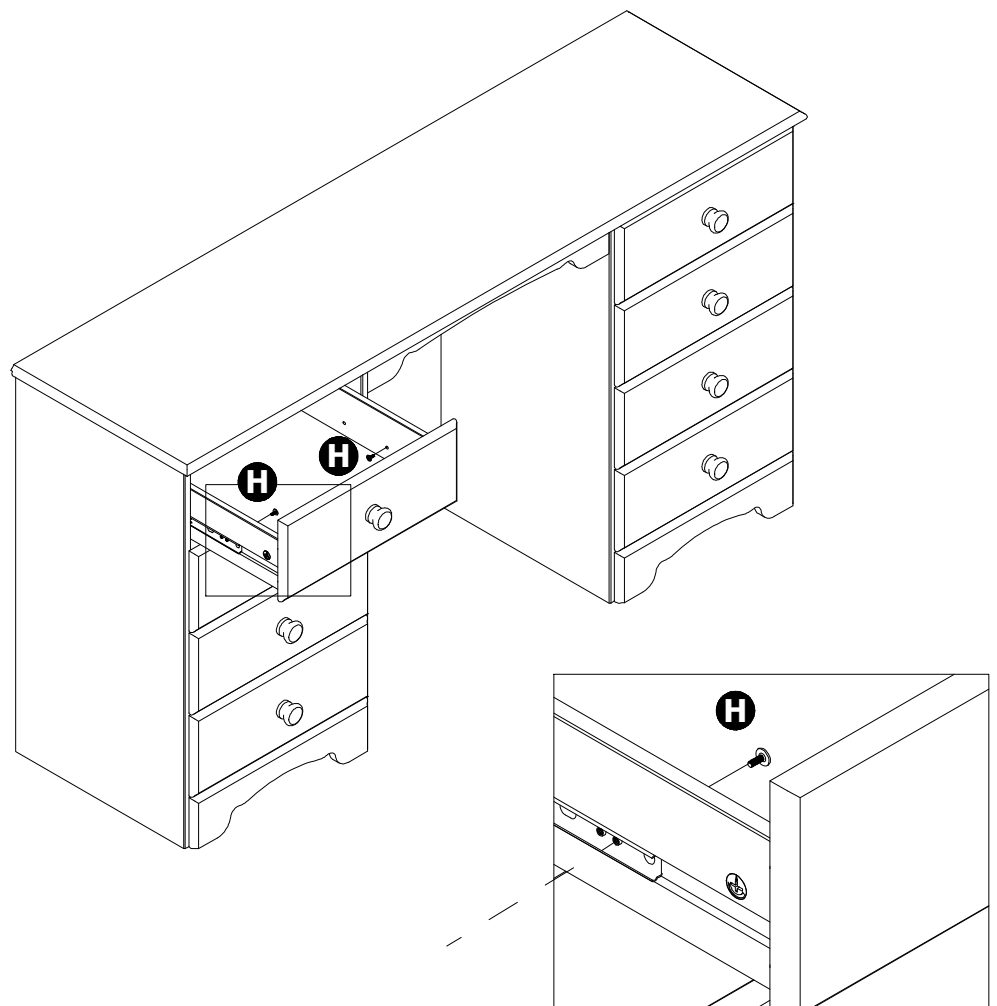
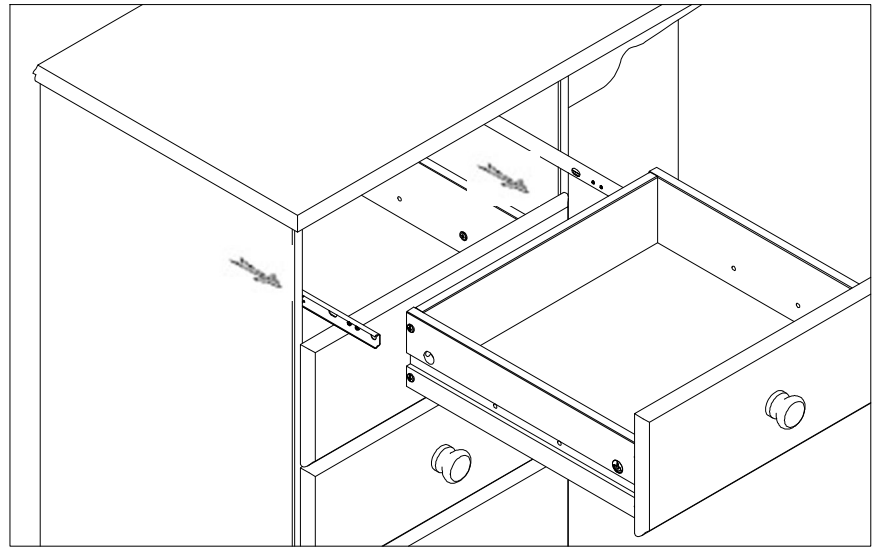
# Assembly Instructions

## Step 16

Pull out the drawer runners. Slide the drawers onto the drawer runners.

Fit and fix the lower drawer first and work your way up.

Fix drawers to drawer runners using screws H.



If you need help or have damaged or missing parts, **call the Customer Helpline: 0845 640 30 30**  
Home Retail Group - 489-499 Avebury Boulevard - Saxon Gate West - Central Milton Keynes MK9 2NW