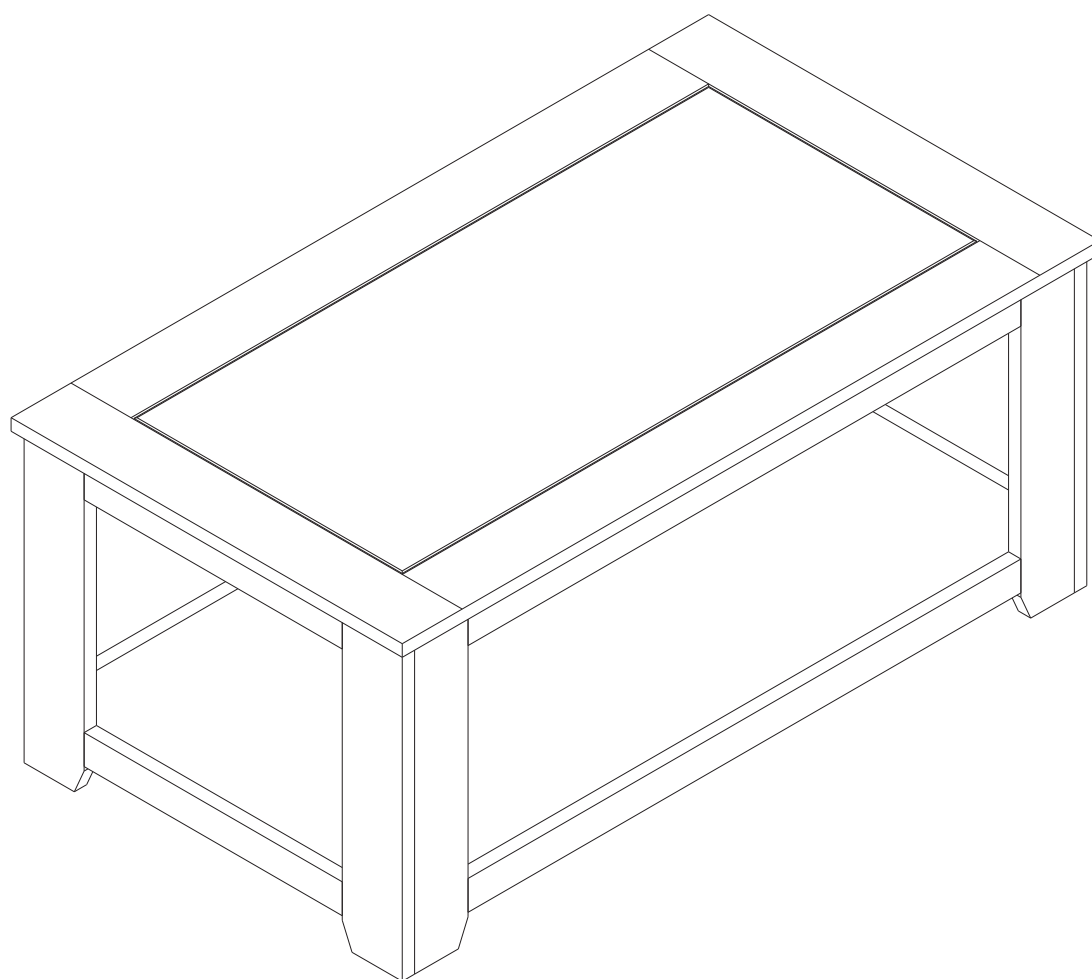


Penton - Coffee Table

Assembly Instructions - Please keep for future reference

609/7134

609/7141



Dimensions

Width - 107cm

Depth - 60cm

Height - 46cm

Important – Please read these instructions fully before starting assembly

If you need help or have damaged or missing parts, call the **Customer Helpline: 08456 400 800**



Safety and Care Advice

Important – Please read these instructions fully before starting assembly

- Check you have all the components and tools listed on pages 2 and 3.
- Remove all fittings from the plastic bags and separate them into their groups.
- Keep children and animals away from the work area, small parts could choke if swallowed.
- Make sure you have enough space to layout the parts before starting.
- Do not stand or put weight on the product, this could cause damage.
- Assemble the item as close to its final position (in the same room) as possible.
- Assemble on a soft level surface to avoid damaging the unit or your floor.

- This product has been produced from natural timber; you may notice some variation in the grain and colour of different component parts which is normal for furniture produced using natural wood and is not the result of any manufacturing fault.
- The product has been treated with a wax and oil finish to prevent dirt ingress and preserve moisture.
- On unpacking the furniture you may notice an odour due to this treatment; this will disappear once the furniture is unpacked and assembled after a period of time.
- This process may leave some staining on the packaging material; please take care to ensure this does not transfer to clothing or carpeted surfaces during assembly.



as this could damage the unit. Only use hand screwdrivers.

- We do not recommend the use of power drill/drivers **for inserting screws**,

- Parts of the assembly will be easier with 2 people.
- Dispose of all packaging carefully and responsibly.

Care and maintenance

- Use an appropriate furniture polish for natural wood furniture and a dry cloth to clean the product.
- Avoid placing the furniture in direct sunlight as this will cause the timber to prematurely age.

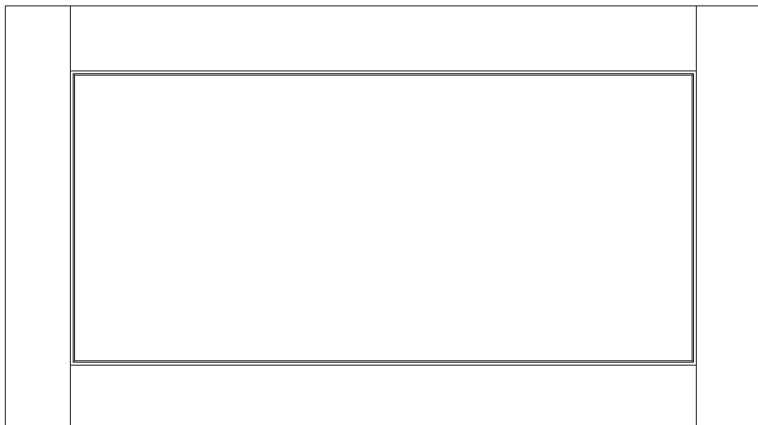
- From time to time check that there are no loose screws on this unit.

- This product should not be discarded with household waste. Take to your local authority waste disposal centre.

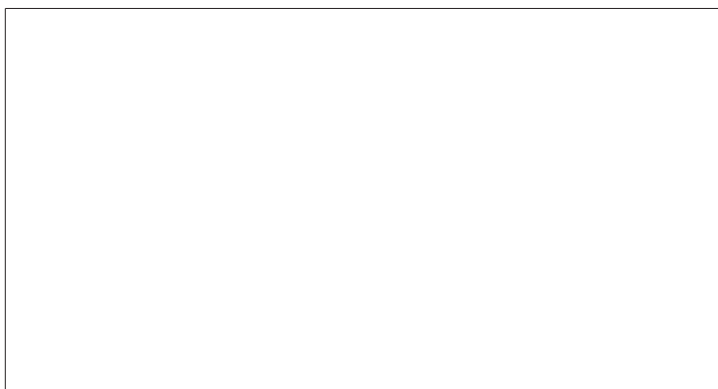
Note: If required the next page can be cut out and used as reference throughout the assembly. Keep this page with these instructions for future reference.

Components - Panels

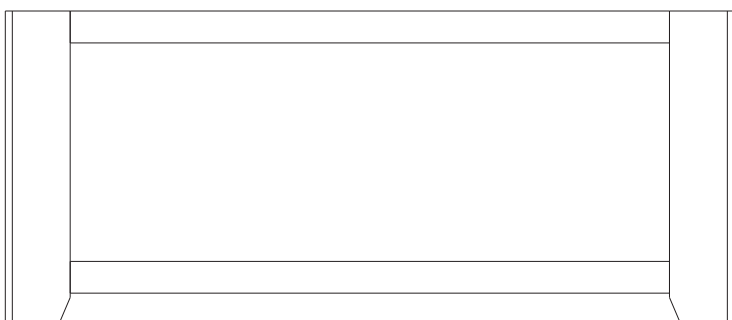
Please check you have all the panels listed below



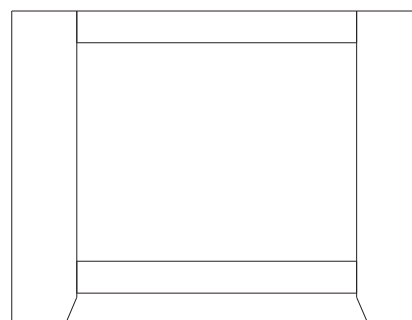
1 Top panel (107 x 60cm)



2 Base panel (101.2 x 54.2cm)



3 Front panel x 2 (44 x 103.2cm)



4 Side panel x 2 (44 x 58cm)


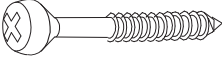
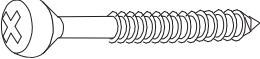


Components - Fittings

If you have damaged or missing components, call the **Customer Helpline: 08456 400 800**

Please check you have all the fittings listed below

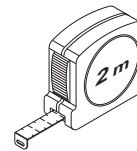
Note: The quantities below are the correct amount to complete the assembly. In some cases more fittings may be supplied than are required.

A  Wooden dowel x 8	B  35mm Screw x 8	C  50mm Screw x 8
--	--	--

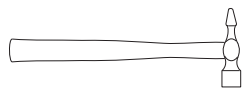
Tools required



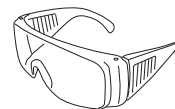
Phillips screwdriver
(medium)



Ruler/tape
measure



Small
hammer



Eye protection
(when using a
hammer or glue)

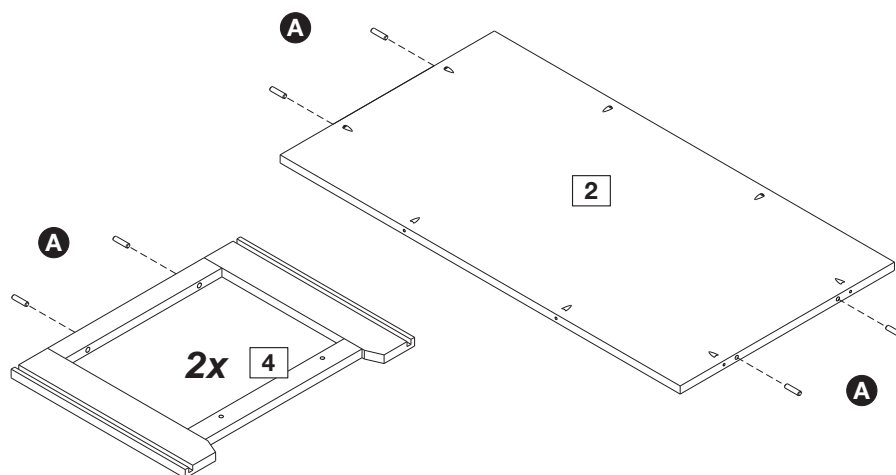
Ruler - Use this ruler to help correctly identify the screws



Assembly Instructions

Step 1

Insert dowels **A** into base panel **2** and side panels **4**.

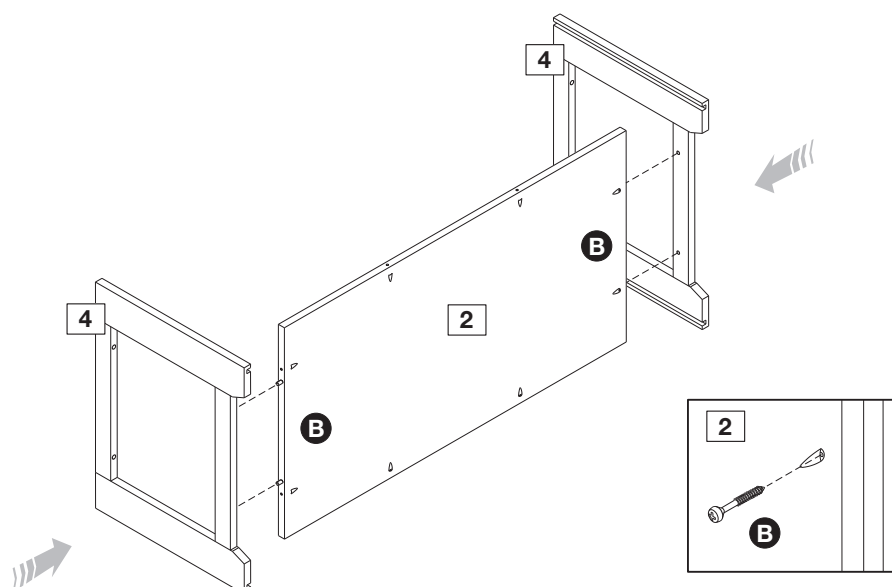


Step 2

Fixing base panel.

Two people are required for an easier assembly.

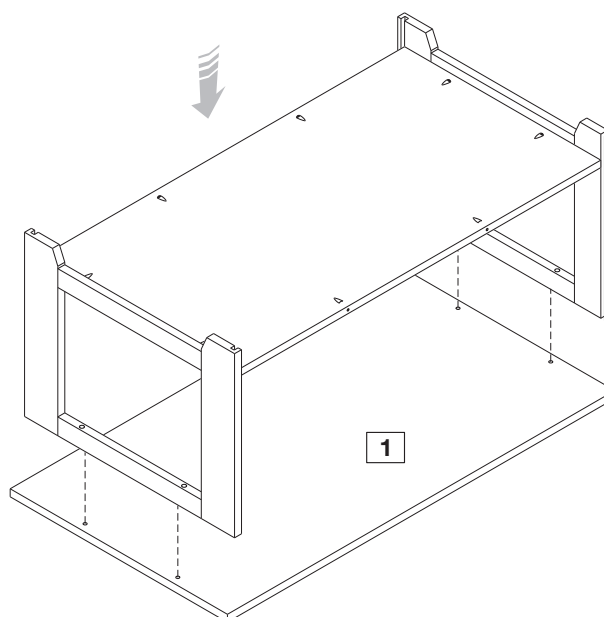
With help, fit base panel **2** to side panels **4** then fix it using screws **B**.



Step 3

 **Caution:** Carefully lay the top panel on a soft and clean surface to avoid damaging the product.

Place sides **4** properly ensuring dowels are all fitted into their holes on top panel **1**.



Assembly Instructions

Step 4

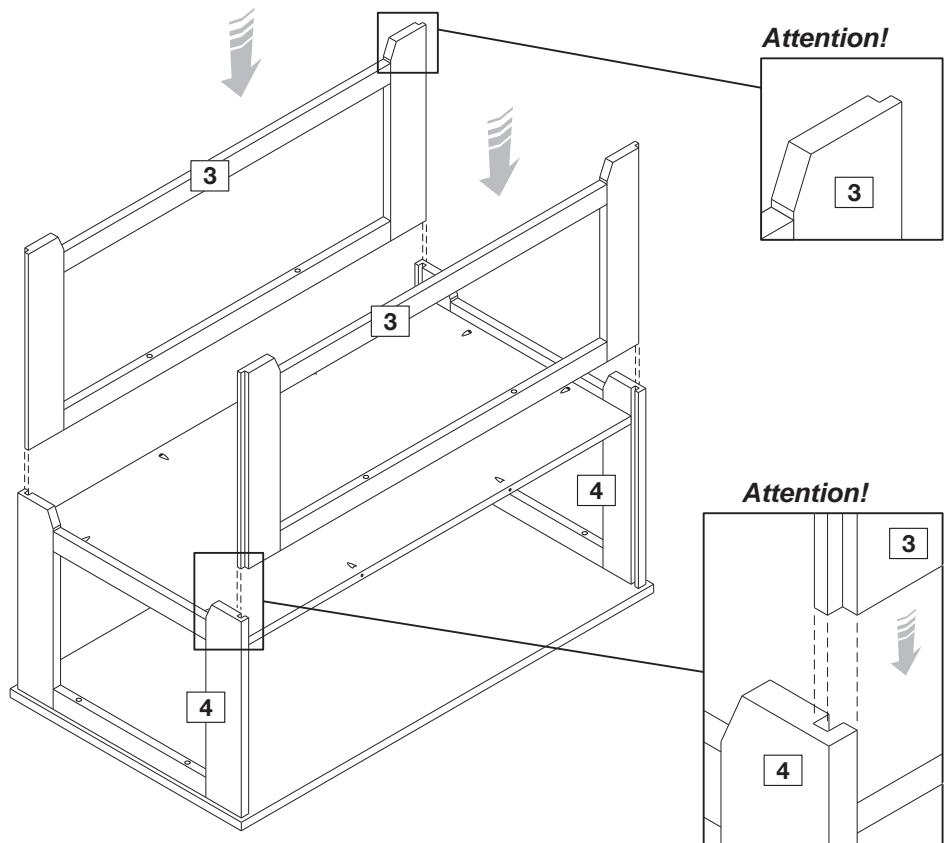
Inserting front panels.

Two people are required for an easier assembly.

Insert front panels **3** in the grooves on side panels.



Attention: Note correct position of the panels.



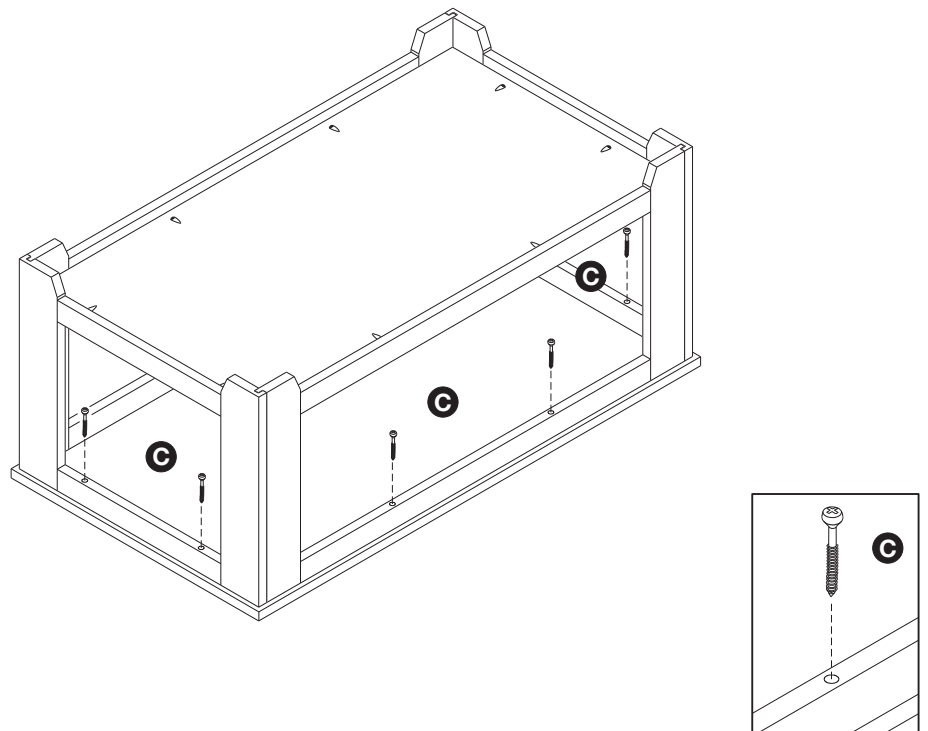
Step 5

Fixing top panel.

Fix assembled frame to the top panel using screws **C**.



Attention: Do not over tighten screws.

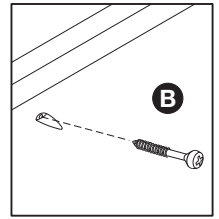
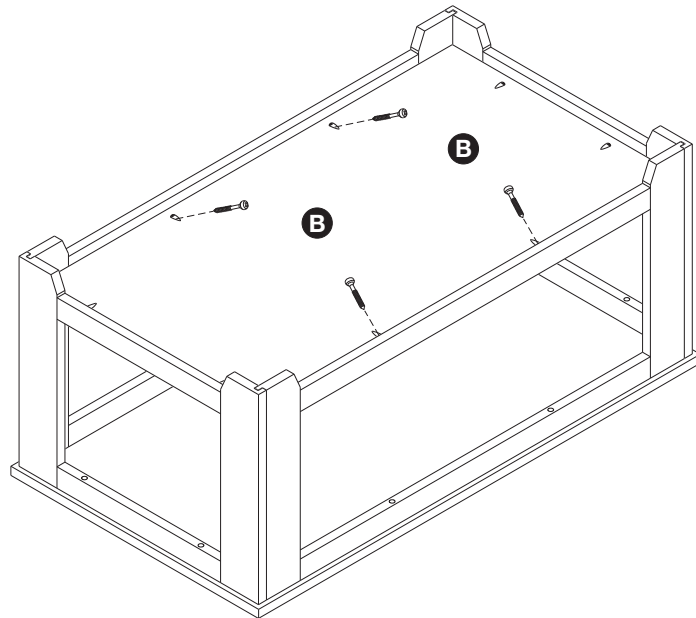


Assembly Instructions

Step 6

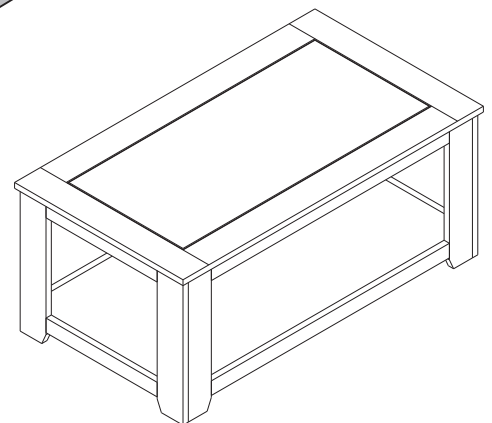
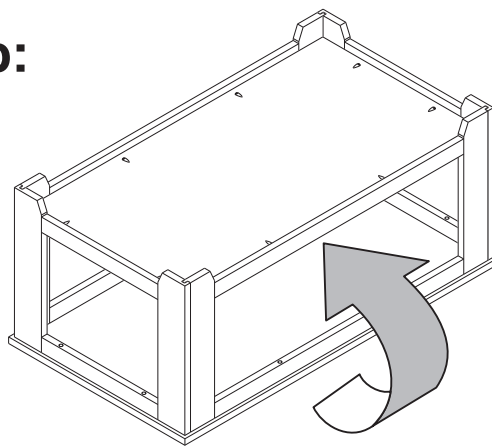
a: Fix base panel to the front panels **3** using screws **B**.

a:



b: With help, carefully stand the product upright.

b:



Assembly is complete.

If you need help or have damaged or missing parts, call the **Customer Helpline: 08456 400 800**